

Assembly instructions

Activity toys to be assembled by adults for outdoor domestic use.

Montageanleitung

Aktivitätsspielzeug zum Zusammenbauen durch Erwachsene für den Einsatz im häuslichen Außenbereich.

Instructions de montage

Jouets d'activité à assembler par des adultes pour une utilisation extérieure familial.

2

PART

Design Code : **x7I7uD**

Article Number : **211564**

Product Name : **Titan 2-Climb 3.0**



Manual ID: 048_071_2613

360°



Jungle Gym

BACKYARD PLAYGROUNDS

since 1988

Assembly time



hours
by 2 adults



EN. Warning! Only for domestic use. Maximum number of users is **19.DE.** Achtung! Nur für den Hausgebrauch. Maximale Benutzerzahl: **19.FR.** Attention! Réserve à un usage familial. Le nombre maximal d'utilisateurs est de **19.BG.** Внимание! За употреба само в домашни условия. Максималният брой потребители е **19.CS.** Varování! Jen pro domácí použití. Maximální počet uživatelů je **19.DA.** Advarsel! Kun til privat brug. Maksimum antal brugere er **19.EL.** Προειδοποίηση! Μόνο για οικιακή χρήση. Μέγιστος αριθμός χρηστών **19.ES.** Advertencias! Sólo para uso doméstico. Número máximo de usuarios: **19.ET.** Hoiatused! Ainult koduseks kasutamiseks. Maksimaalne kasutajate arv on **19.FI.** Varoitukset! Ainoastaan kotikäyttöön. Käyttäjää yhteensä enintään **19.HR.** Upozorenja! Samo za uporabu u domu. Maksimalan broj korisnika je **19.HU.** Figyelmeztetések! Csak otthoni használatra! A használók max. száma: **19.IS.** Varnaðarorð! Eingöngu fyrir einkanothun í heimahúsum og á einkalóum. Hámarksfjöldi notenda er **19.IT.** Avvertenze! Solo per uso domestico. Massimo numero di utenti è **19.LT.** Dėmesio! Tik būtiniam naudojimui. Maksimalus naudotojų skaičius **19.LV.** Brīdinājumi. Izmantot tikai mājās. Maksimālais lietotāju skaits ir **19.NL.** Waarschuwing! Uitsluitend voor huishoudelijk gebruik. Het maximale aantal gebruikers is **19.NO.** Advarsel! Kun for privat bruk. Maksimalt antall brukere er **19.PL.** Ostrzeżenia! Wyłącznie do użytku domowego. Maksymalna liczba użytkowników to **19.PT.** Avisos! Apenas para uso doméstico. O número máximo de utilizadores é **19.RO.** Avertismente! Numai pentru uz domestic. Numărul maxim de utilizatori este **19.SK.** Upozornenia! Iba na domáce použitie. Maximálne množstvo osôb je **19.SL.** Opozorila! Samo za domačo uporabo. Maksimalno število uporabnikov je **19.SV.** Varningar! Endast för hemmabruk. Det maximala antalet användare är **19.**



Design code: x7I7uD, © 2025 Jungle Gym B.V. All rights reserved. Single-owner licensed. No part of this document may be reproduced or utilized otherwise in any form or by any means, electronic or mechanical, including photocopying or posting on the internet or an intranet—copying and networking prohibited.

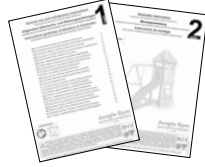


General safety notice

Allgemeine Sicherheitswarnung

Avertissement de sécurité général

OWNER'S MANUAL



Important: Before assembling and using this product, please carefully read the provided Use- and maintenance instructions ([Part 1](#)) and assembly instructions ([Part 2](#)) thoroughly.

Wichtig: Lesen Sie vor der Montage und Benutzung dieses Produkts die beiliegende Gebrauchs- und Wartungsanweisungen ([Teil 1](#)) und die Montageanleitung ([Teil 2](#)) sorgfältig durch.

Important: Avant de monter et d'utiliser ce produit, veuillez lire attentivement. Conseils d'utilisation et d'entretien ([Partie 1](#)) et les instructions de montage ([Partie 2](#)).



1-5

Part 1

Warnings!
Achtung!
Attention!



1-12

Part 1

Potential hazards
Potenzielle Gefahren
Dangers potentiels



1-7

Part 1

Installation notices
Installationsplanung
Planification de l'installation



1-14

Part 1

Assembly instructions
Montageanweisungen
Instructions de montage



1-7

Part 1

Safe play instructions
Sichere Spielanweisungen
Consignes de jeu sécurité



Customer service and support

Kundendienst und Unterstützung

Service clients et support

CONTACT



[Frequently Asked Questions](#)

[Häufig gestellte Fragen](#)

[Foire aux questions](#)

[Veelgestelde Vragen](#)



[Contact form](#)

[Kontaktformular](#)

[Formulaire de contact](#)

[Contactformulier](#)



EU +31 85 44 44 102
International phone charges may apply.

info@junglegym.com

www.junglegym.com

[instagram.com/junglegymofficial](https://www.instagram.com/junglegymofficial)

Availability:

Monday – Thursday:

CET 09:00 AM – 04:00 PM

Friday:

CET 09:00 AM – 01:00 PM



Preparatory work Vorbereitende Arbeiten Travaux préparatoires



Overview of the total delivery scope
Übersicht über den gesamten Lieferumfang
Aperçu de l'ensemble de la portée de livraison



OR



To avoid danger of suffocation, please keep the bag away from children.
Um Erstickungsgefahr zu vermeiden, halten Sie die Tüte bitte von Kindern fern.
Pour éviter tout risque d'étouffement, gardez le sac hors de portée des enfants.

Choking hazard – may not be suitable for children under 3 years.
Erstickungsgefahr – möglicherweise nicht geeignet für Kinder unter 3 Jahren.
Risque d'étouffement – peut ne pas convenir aux enfants de moins de 3 ans.



Part 1

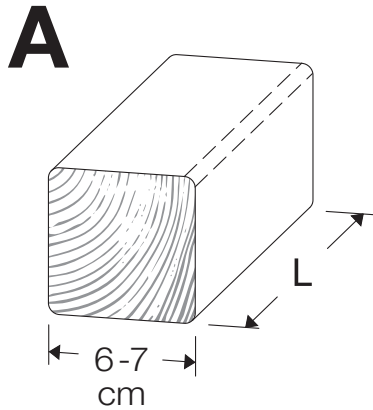


Part 1

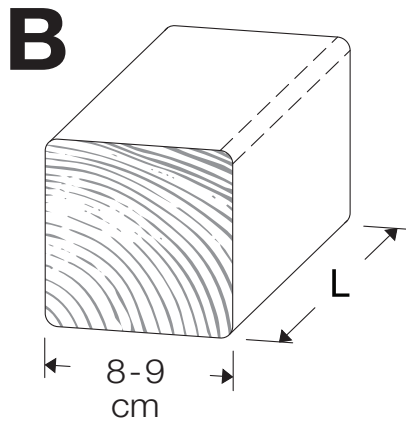


#	Sub-assembly ID	Description	FFC ID
2	BT14a	Base Tower 115_240240_145	792_002
1	ET07a	Extension Tower 11580_220_145	792_102
1	ET15a	Extension Tower 115_220_145	792_108
2	RF08b	Roof Timber Gable 115	792_210
1	BL01a	Balustrade 80_ U	790_301
1	BL03a	Balustrade 115_ U	792_301
4	BL04a	Balustrade 115_ T	792_301
1	PH40a	Playhouse 115 U-Low Wall	792_311
2	PH43a	Playhouse 115 U R-Low Entrance	792_312
2	PH48b	Playhouse 115 T L-Low Window	792_316
2	PH49b	Playhouse 115 T R-Low Window	792_316
1	RW40a	Rock wall 115_145 U Playhouse	792_407
1	LA03a	Ladder 80_145 U	790_432
1	PC06a	Picnic 115 T	792_503
1	BB02a	Boardwalk Bridge 80 T	790_621
1	BF03a	Bridge Frame 115 T L	792_602
1	BF04a	Bridge Frame 115 T R	792_602
1	SL11a	Slide Frame 115_145 U R x Balustrade	792_901
1	FP04a	Fireman's pole 115 U L x balustrade	792_911
1	UB07a	Swing Mounting Set	794_916
1	CL14b	2- Climb Module 220 3.0	757_162
1	AC01a	Accessories Set	194_119
4	AC02a	Accessories Blue Shutters	250_075
2	AC21a	Accessories Swing Seat	250_034
1	Wavy Star Slide XXL	334_x00	334_x00

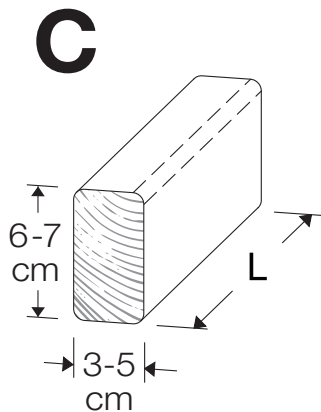
Identifying and inventorying of the individual timber parts
Identifizierung und inventarisieren der der einzelnen Holzteile
Identification et inventorier les pièces en bois individuels



ID	L	#
A220	219 cm - 220 cm	4
A240	239 cm - 240 cm	12

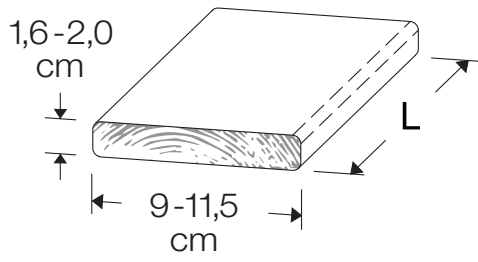


B74	73 cm - 74 cm	1
B240	239 cm - 240 cm	1



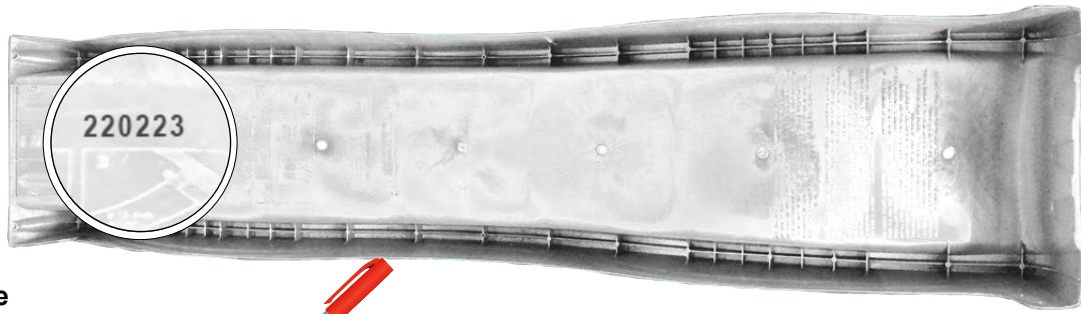
C37	36 cm - 37 cm	3
C56	55 cm - 56 cm	2
C62	61 cm - 62 cm	2
C70	69 cm - 70 cm	3
C74	73 cm - 74 cm	15
C84	83 cm - 84 cm	7
C90	89 cm - 90 cm	4
C96	85 cm - 96 cm	12
C114	113 cm - 114 cm	25
C123	122 cm - 123 cm	3
C130	129 cm - 130 cm	1
C141	140 cm - 141 cm	10
C150	149 cm - 150 cm	2

D



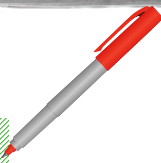
D21	20 cm - 21 cm	16
D47	46 cm - 47 cm	39
D60	59 cm - 60 cm	13
D65	64 cm - 65 cm	44
D74	73 cm - 74 cm	8
D100	99 cm - 100 cm	57
D114	113 cm - 114 cm	113
D127	126 cm - 127 cm	48
D141	140 cm - 141 cm	5
D154	153 cm - 154 cm	1

Identification, inventorying, and registering of the individual accessories and parts
Identifizierung, inventarisieren und registrieren von der einzelnen Zubehör und Teilen
Identification, inventorier et enregistrer les accessoires et pièces individuels



Example

No: **LOT ID:**
 2 2 0 2 2 3



No: **LOT ID:**

1. [][] [][][][]

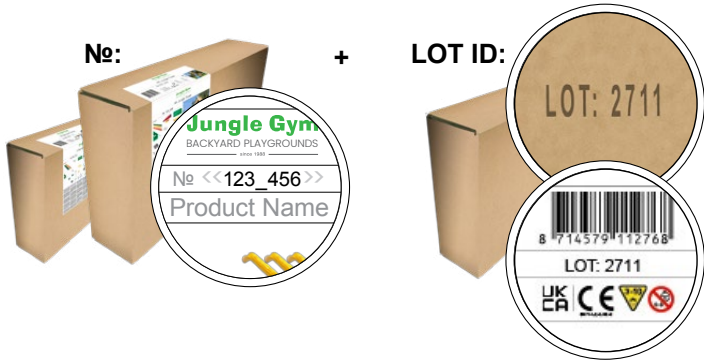
2. [][] [][][][]

No: **LOT ID:**

3. [][] [][][][]

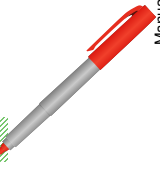
4. [][] [][][][]

Identification, inventorying, and registering of the individual assembly kits
Identifizierung, inventarisieren und registrieren der der einzelnen Bausätze
Identification, inventorier et enregistrer les kits de construction individuels



Example

No: **LOT ID:**
 1 2 3 4 5 6 2 7 1 1



No: **LOT ID:**

1. [][][] [][][][][]

2. [][][] [][][][][]

3. [][][] [][][][][]

4. [][][] [][][][][]

5. [][][] [][][][][]

No: **LOT ID:**

6. [][][][] [][][][][]

7. [][][][] [][][][][]

8. [][][][] [][][][][]

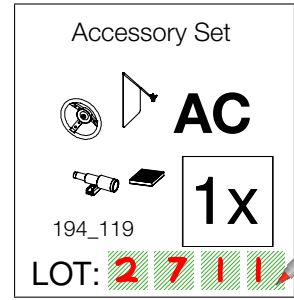
9. [][][][] [][][][][]

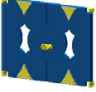

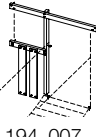
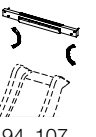


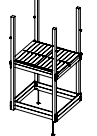

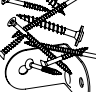
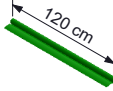
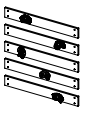




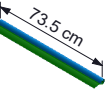



10. [][][][] [][][][][]

Identification, inventorying, and registering of the individual assembly packs
Identifizierung, inventarisieren und registrieren der einzelnen Baupakete
Identification, inventorier et enregistrer les packs de construction individuels

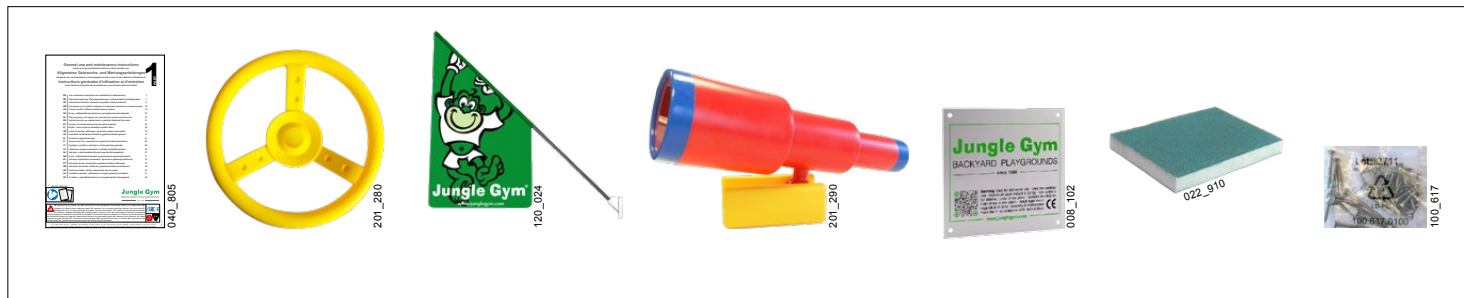


Example



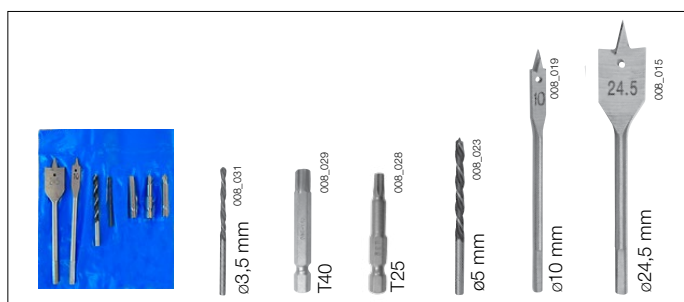
<p>Shutters 2x Blue</p>  <p>AC</p> <p>250_075</p> <p>4x</p> <p>LOT: [] [] [] [] [] [] [] []</p>	<p>Slide XXL 2.6m</p>  <p>1x</p> <p>334_x00</p> <p>LOT: [] [] [] [] [] [] [] []</p>	<p>Bridge Frame</p>  <p>BF</p> <p>194_007</p> <p>2x</p> <p>LOT: [] [] [] [] [] [] [] []</p>	<p>Slide Frame</p>  <p>SL</p> <p>194_107</p> <p>1x</p> <p>LOT: [] [] [] [] [] [] [] []</p>	<p>Hardware 01</p>  <p>H01</p> <p>194_101</p> <p>3x</p> <p>LOT: [] [] [] [] [] [] [] []</p>
<p>Accessory Set</p>  <p>AC</p> <p>194_119</p> <p>1x</p> <p>LOT: [] [] [] [] [] [] [] []</p>	<p>Tower 115</p>  <p>BT ET</p> <p>194_300</p> <p>4x</p> <p>LOT: [] [] [] [] [] [] [] []</p>	<p>Hardware 09</p>  <p>H09</p> <p>194_809</p> <p>3x</p> <p>LOT: [] [] [] [] [] [] [] []</p>	<p>Hardware 12</p>  <p>H12</p> <p>194_812</p> <p>1x</p> <p>LOT: [] [] [] [] [] [] [] []</p>	<p>Mesh Green 185 x 120cm</p>  <p>1x</p> <p>123_230</p> <p>LOT: [] [] [] [] [] [] [] []</p>
<p>Rock Wall</p>  <p>RW</p> <p>194_006</p> <p>2x</p> <p>LOT: [] [] [] [] [] [] [] []</p>	<p>Hardware 04</p>  <p>H04</p> <p>194_804</p> <p>6x</p> <p>LOT: [] [] [] [] [] [] [] []</p>	<p>Fireman's Pole</p>  <p>FP</p> <p>201_275</p> <p>1x</p> <p>LOT: [] [] [] [] [] [] [] []</p>	<p>Ladder 80 145</p>  <p>LA</p> <p>194_104</p> <p>1x</p> <p>LOT: [] [] [] [] [] [] [] []</p>	<p>Hardware 10</p>  <p>H10</p> <p>194_810</p> <p>1x</p> <p>LOT: [] [] [] [] [] [] [] []</p>
<p>Canvas 136 x 74cm</p>  <p>1x</p> <p>123_220</p> <p>LOT: [] [] [] [] [] [] [] []</p>	<p>Hardware 03</p>  <p>H03</p> <p>194_501</p> <p>5x</p> <p>LOT: [] [] [] [] [] [] [] []</p>	<p>Climb Module Kit</p>  <p>CL</p> <p>457_107</p> <p>1x</p> <p>LOT: [] [] [] [] [] [] [] []</p>	<p>Swing Seat</p>  <p>AC</p> <p>250_034</p> <p>2x</p> <p>LOT: [] [] [] [] [] [] [] []</p>	

Overview of the contents of the standard included start package
Übersicht über den Inhalt des standardmäßig enthaltenen Startpakets
Aperçu du contenu du pack de démarrage inclus standard



194_119

Overview of the bit and drill bit references
Übersicht über die Bit- und Bohrer-Referenzen
Aperçu des références des embouts et des forêts



104_107

Overview of all hardware and part references for identification
Übersicht über alle Hardware- und Teile-Referenzen zur Identifizierung
Aperçu de toutes les références de matériel et de pièces pour identification

			#	L
			001_404	30 mm
			001_406	45 mm
			001_411	60 mm
			001_417	80 mm
			001_422	137 mm
				M8
			001_102	30 mm
			000_101	20 mm
			002_036	16 mm
			002_041	20 mm
				ø 3.5 mm
			002_042	13 mm
				ø 3.9 mm
			002_301	40 mm

			#	L
			002_308	20 mm
			002_219	30 mm
			002_220	45 mm
			002_223	80 mm
				M8
			004_050	22mm
				M8
			003_010	
				M6
			003_034	
			022_845	Yellow
			022_846	Blue
			022_847	Green
			022_848	Red
			023_031	White
			120_005	White
			022_844	022_314

Manual ID: 048_071_2613

output: 27/06/24



Complete climbing frame identification and registration

Identifizierung und Registrierung des kompletten Klettergerüsts

Identification et enregistrement de la structure d'escalade complète

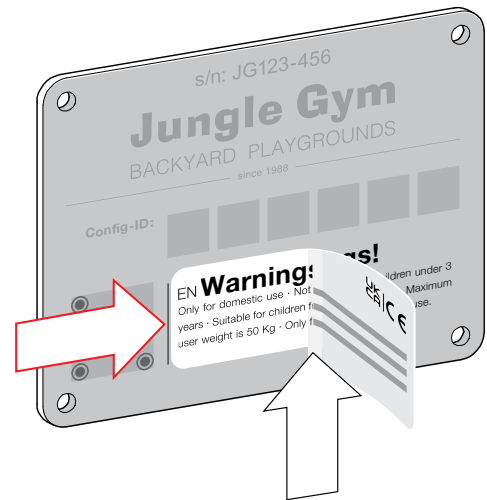
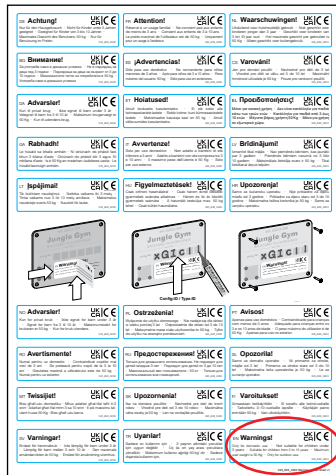
Your Design Code
Ihr Designcode
Votre code de design



Complete climbing frame identification

Identifizierung des kompletten Klettergerüsts

Identification de la structure d'escalade complète



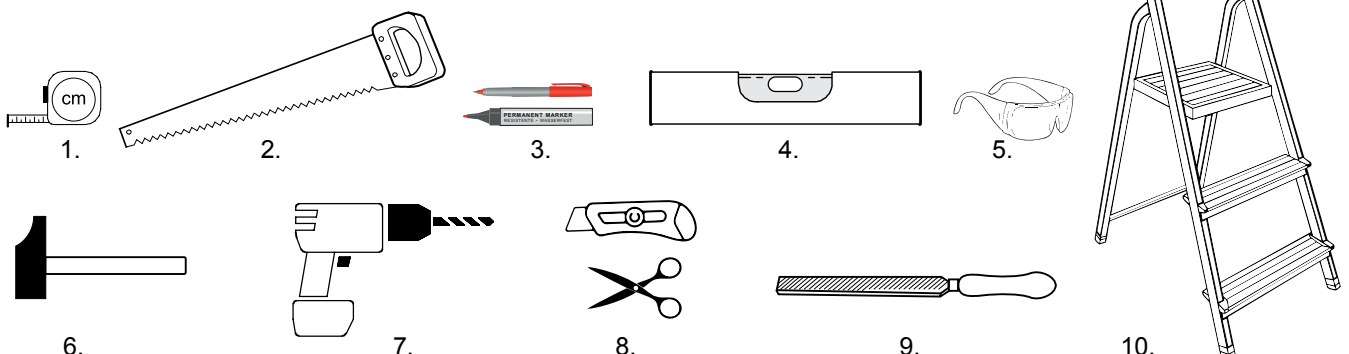
Manual ID: 048_071_2613



Required tools and materials

Benötigtes Werkzeug und Materialien

Outils et matériaux nécessaires

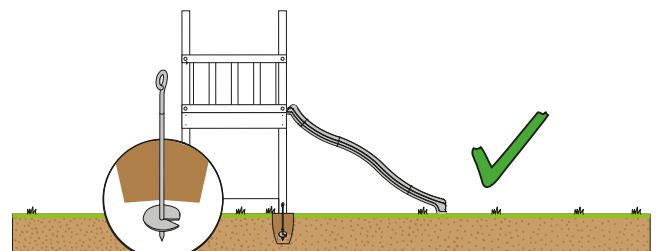
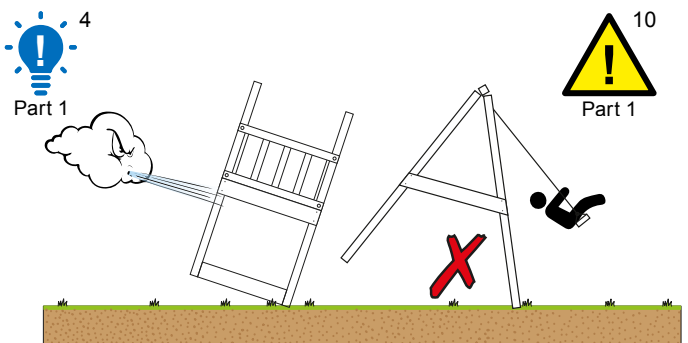
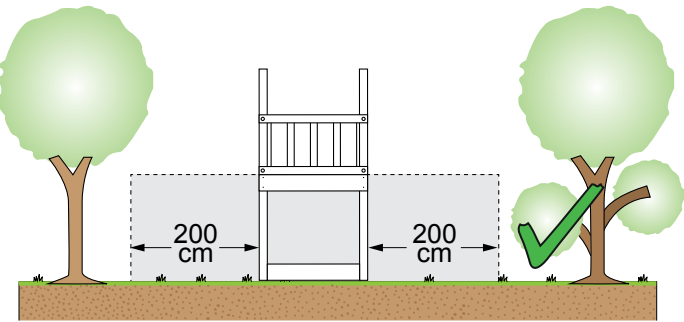
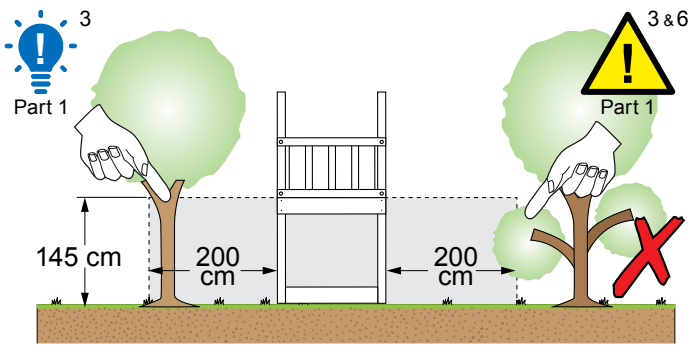
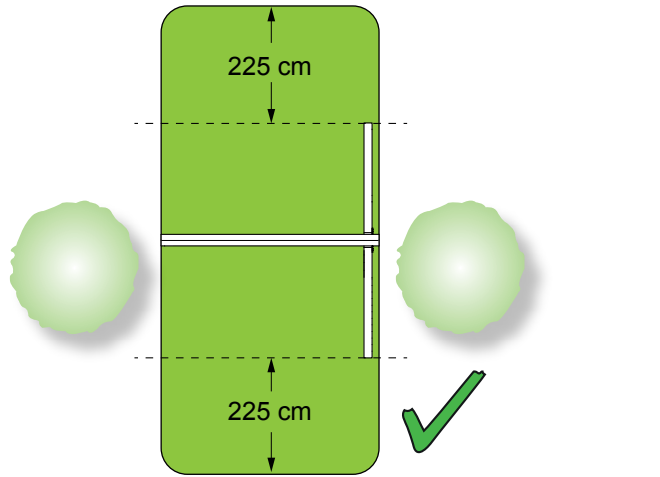
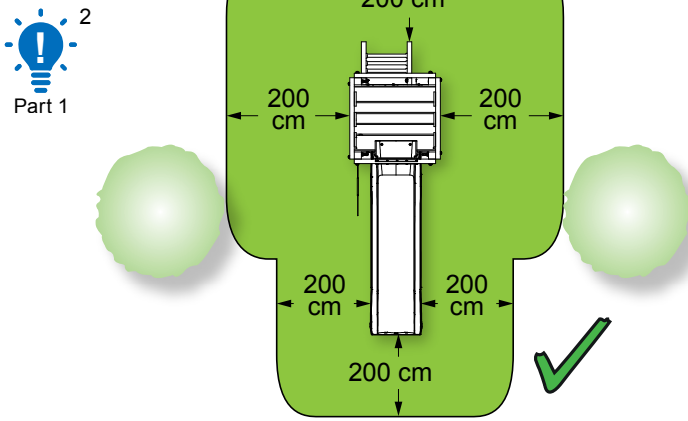
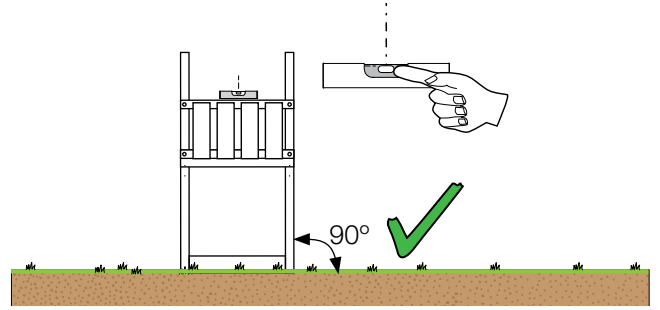
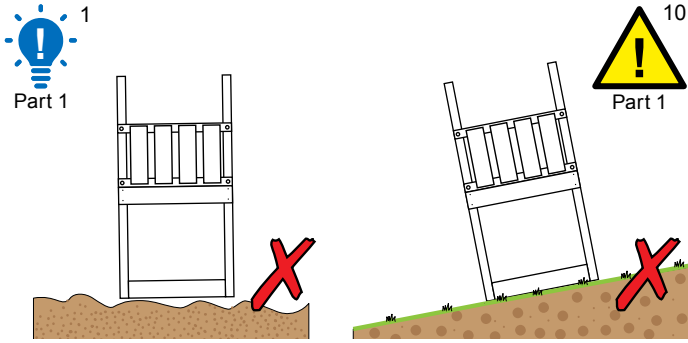


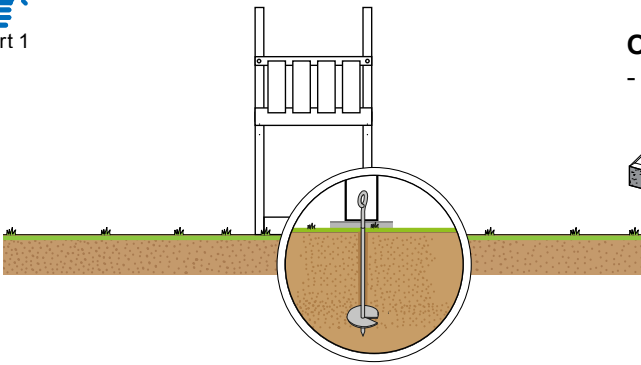
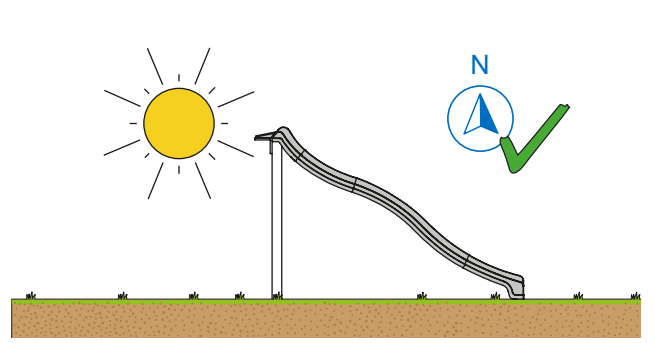
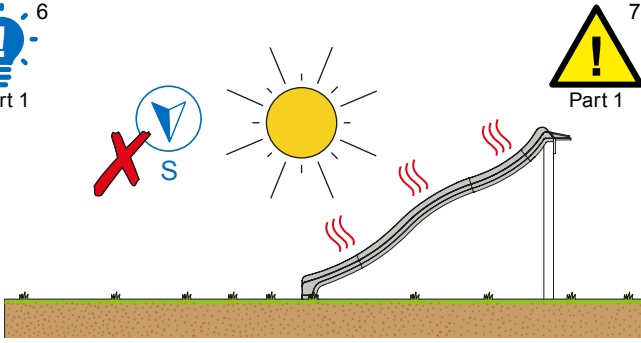
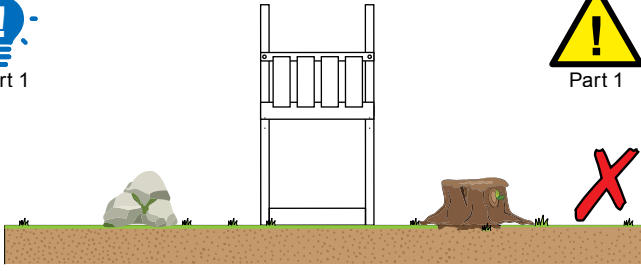


Installation and safety notices

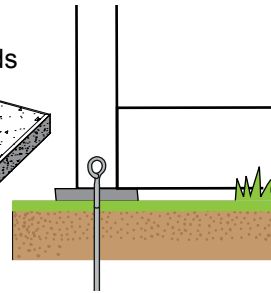
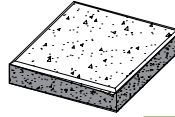
Installationsplanung und Sicherheitshinweise

Planification de l'installation et avis de sécurité

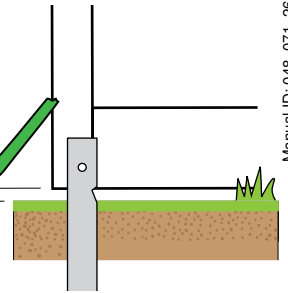




Optional:
- Tiles/Pads



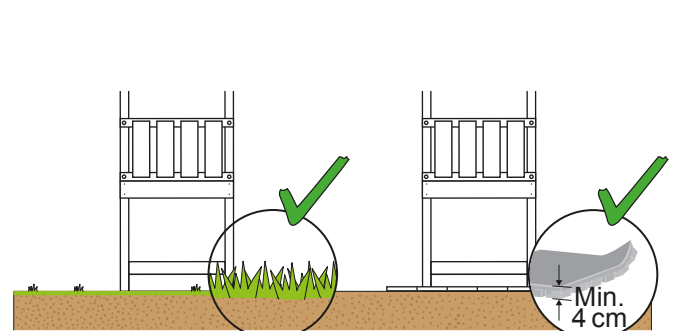
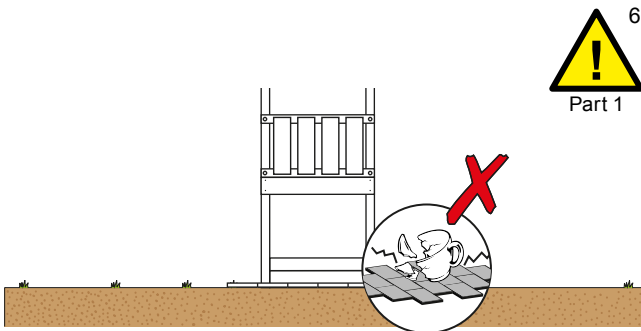
2 cm



Manual ID: 048_071_2613



Shock absorbing surfaces Stoßdämpfende Oberflächen Surfaces d'absorption des chocs

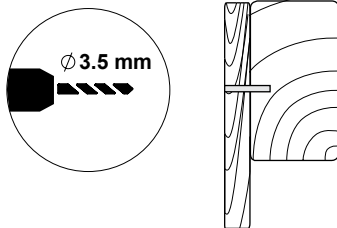
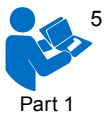
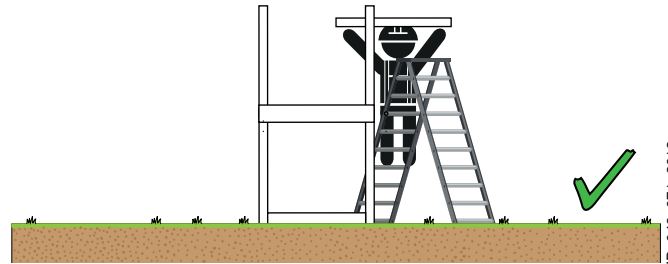
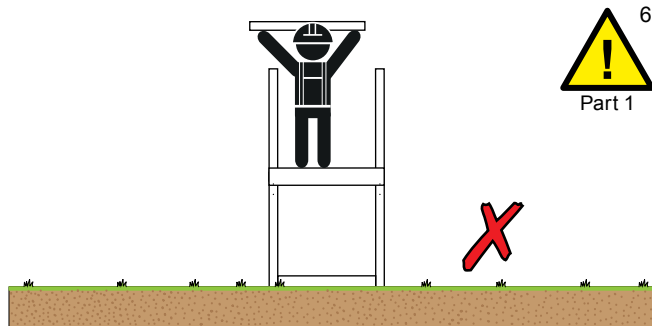
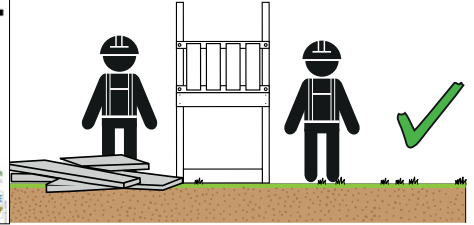
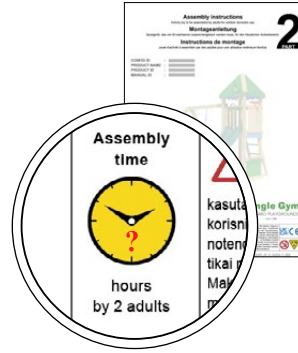
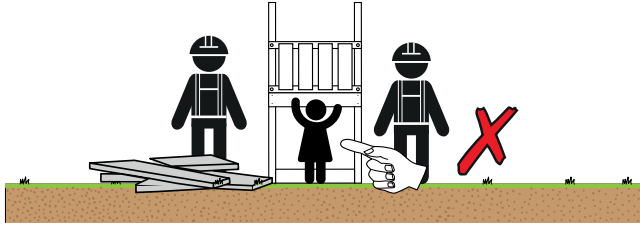


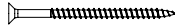


Assembly instructions and safety notices

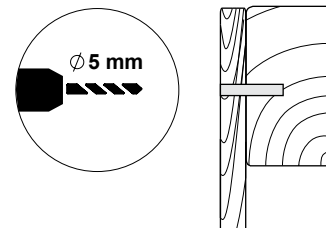
Montageanweisungen und Sicherheitswarnungen

Instructions de montage et avis de sécurité

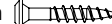


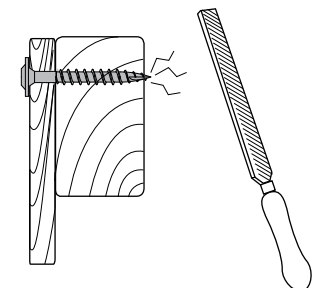
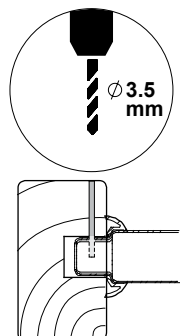
80mm 

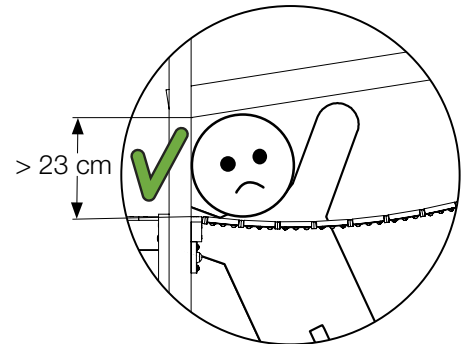
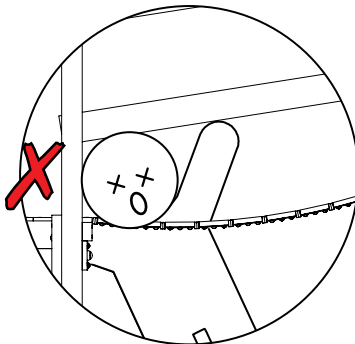
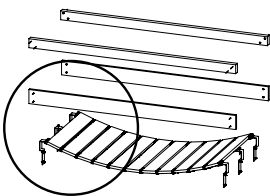
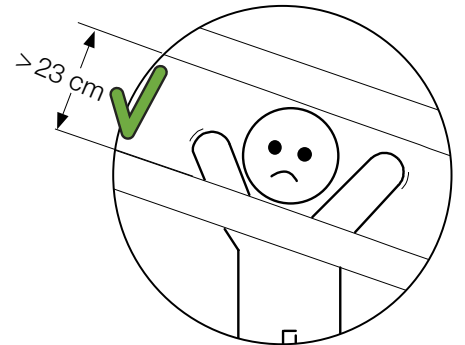
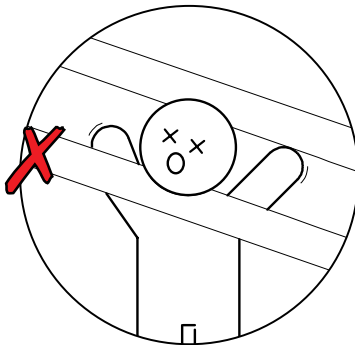
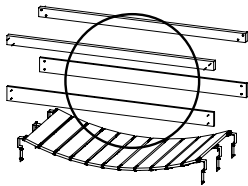
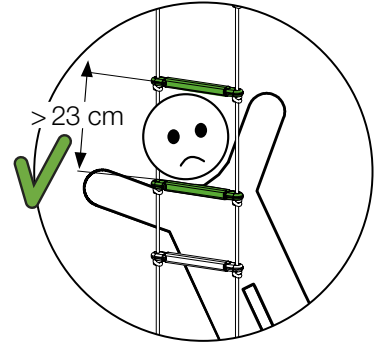
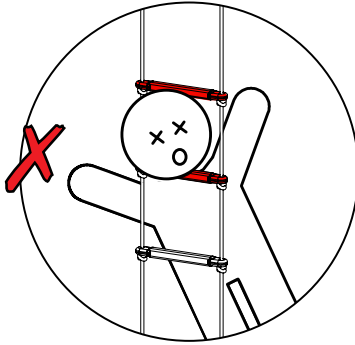
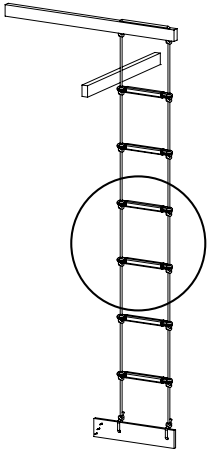
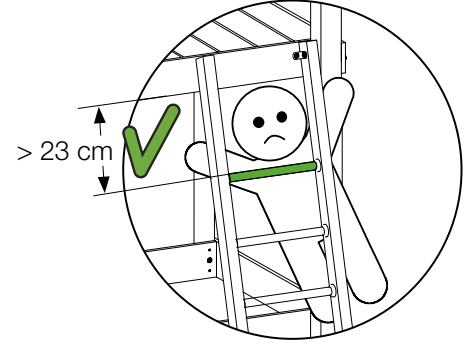
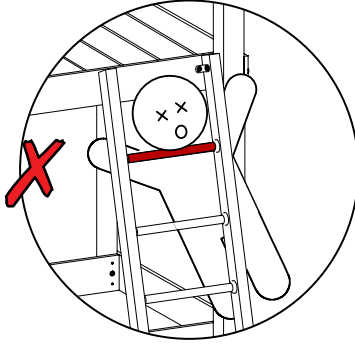
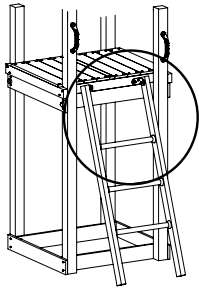
45mm 

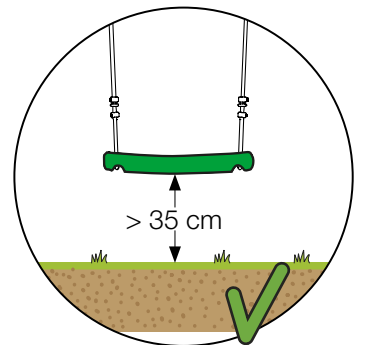
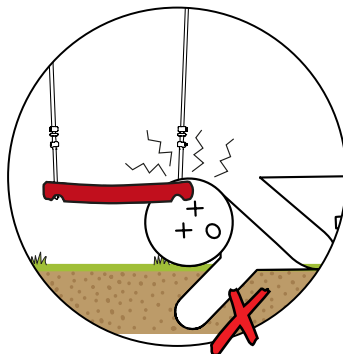
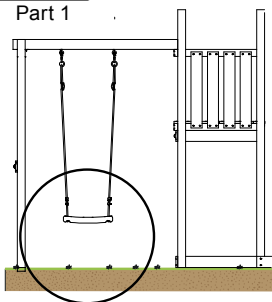
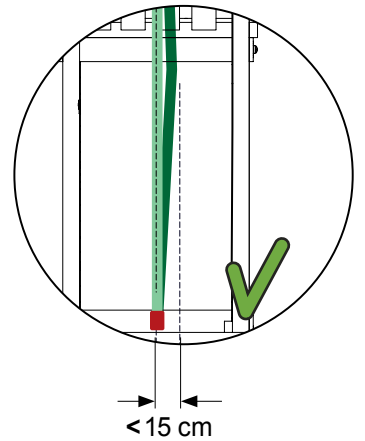
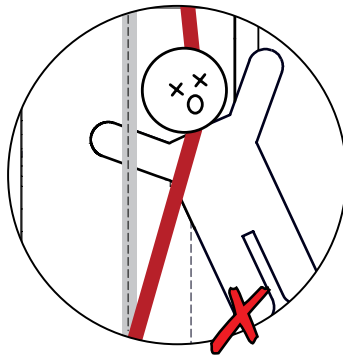
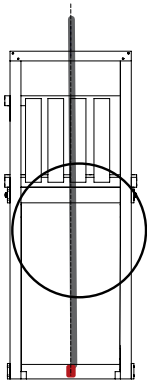
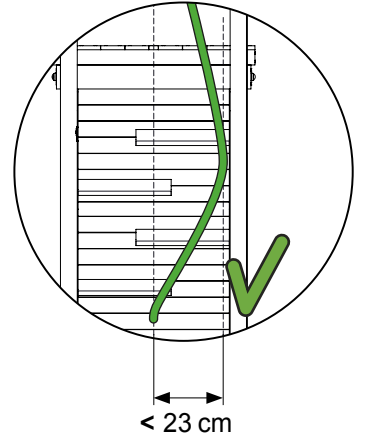
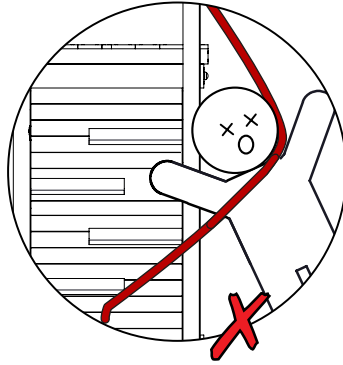
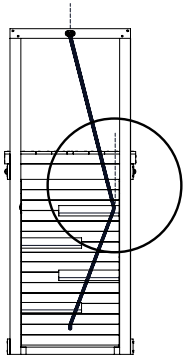
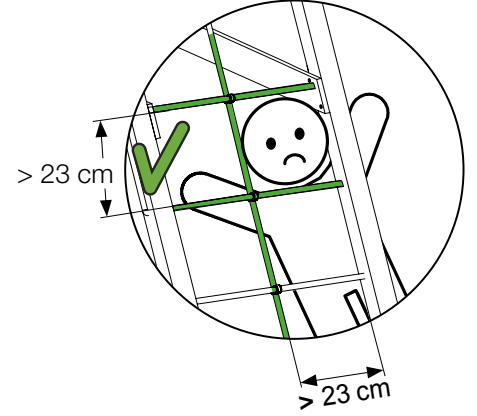
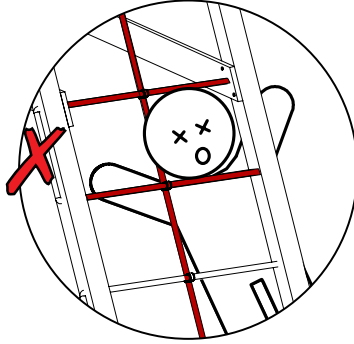
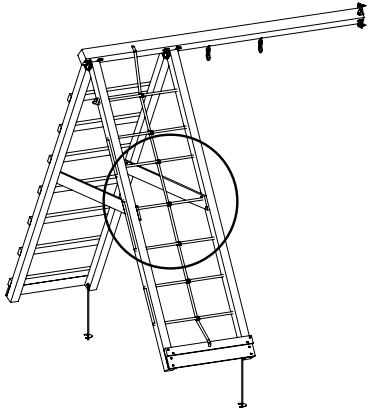
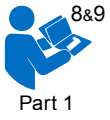


80mm 

45mm 









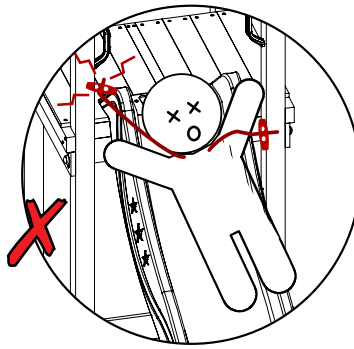
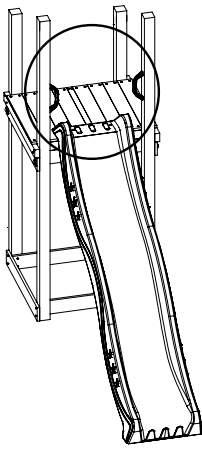
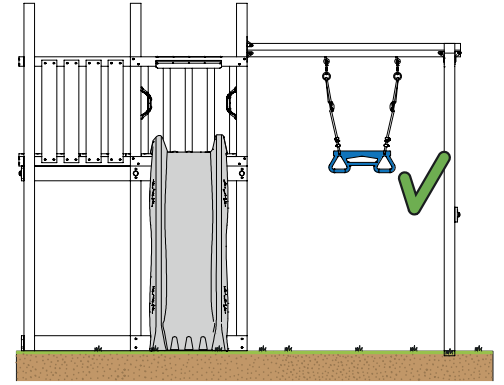
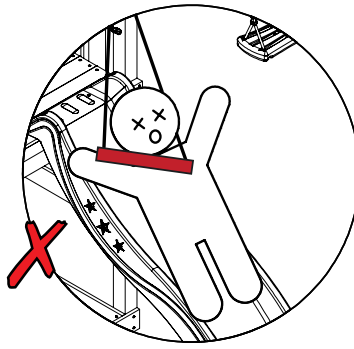
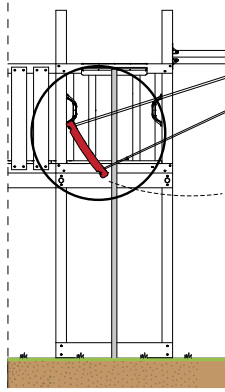
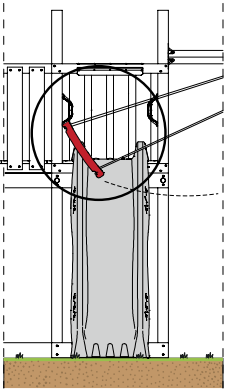
10



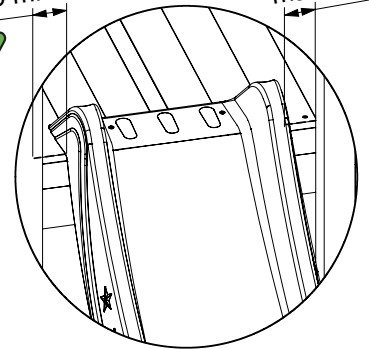
4&9

Part 1

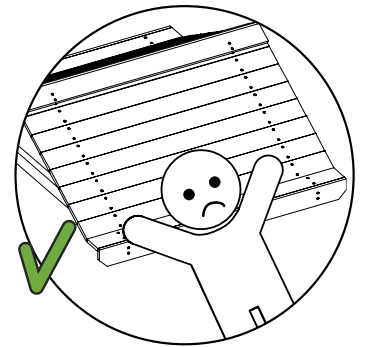
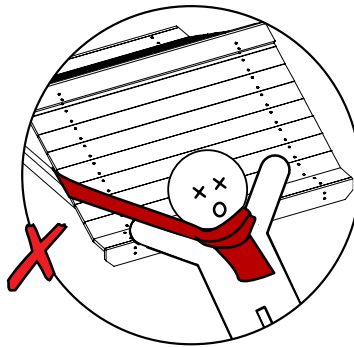
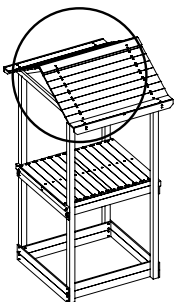
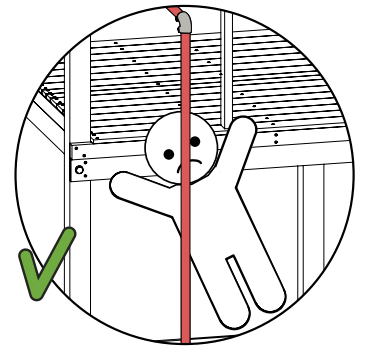
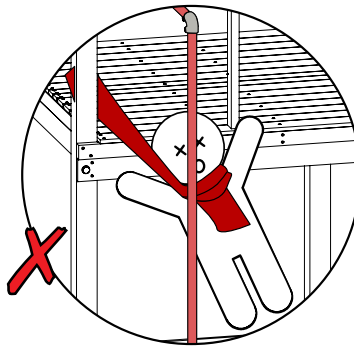
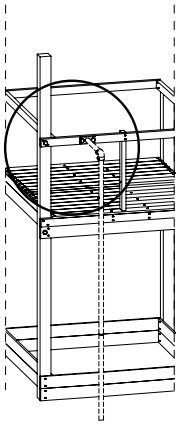
Part 1



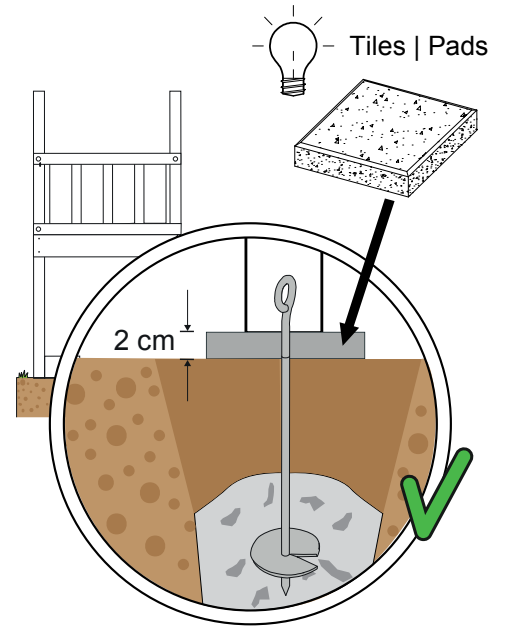
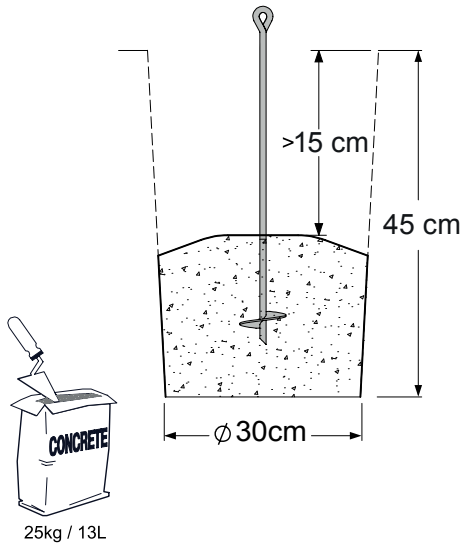
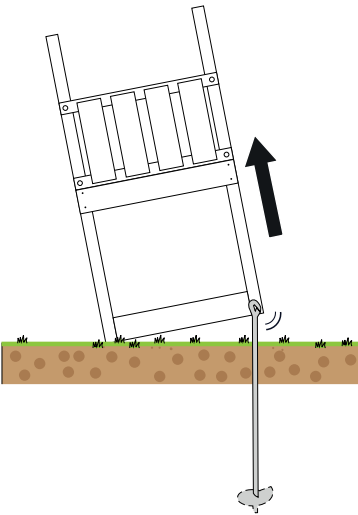
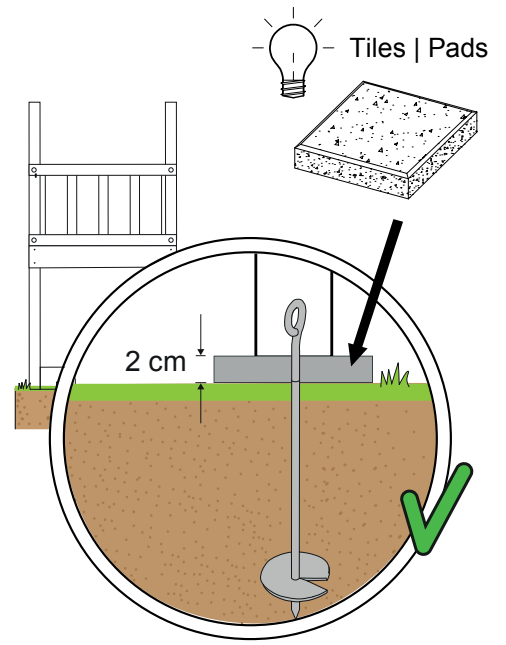
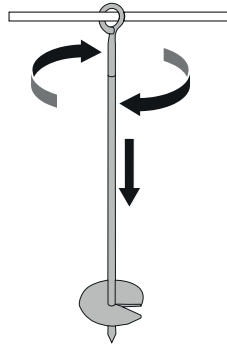
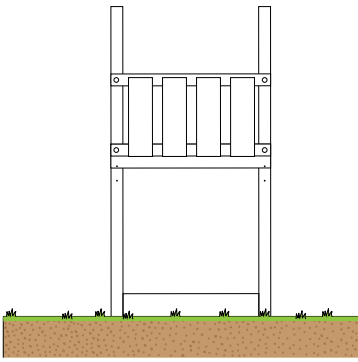
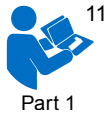
min. 26 mm
max. 75 mm



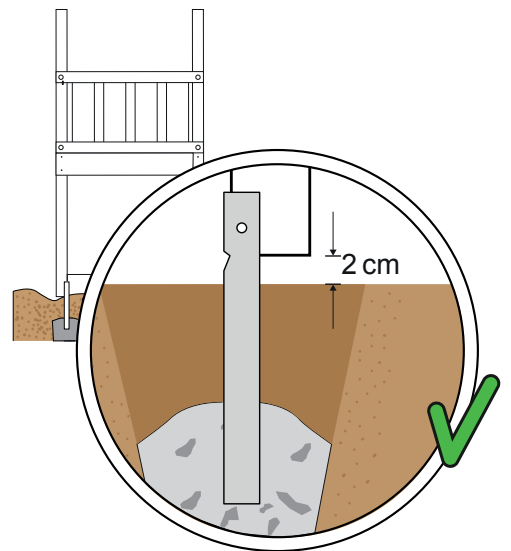
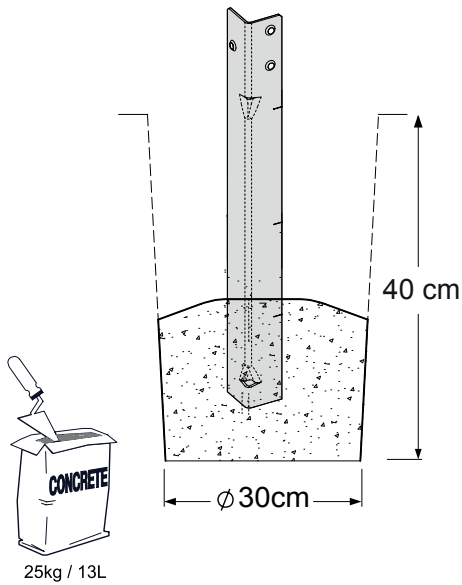
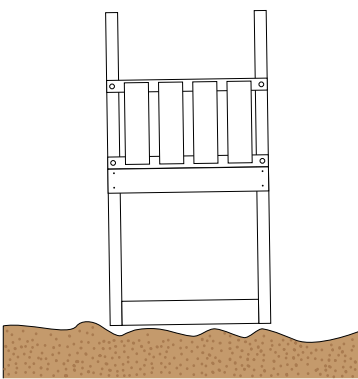
min. 26 mm
max. 75 mm



Manual ID: 048_071_2613



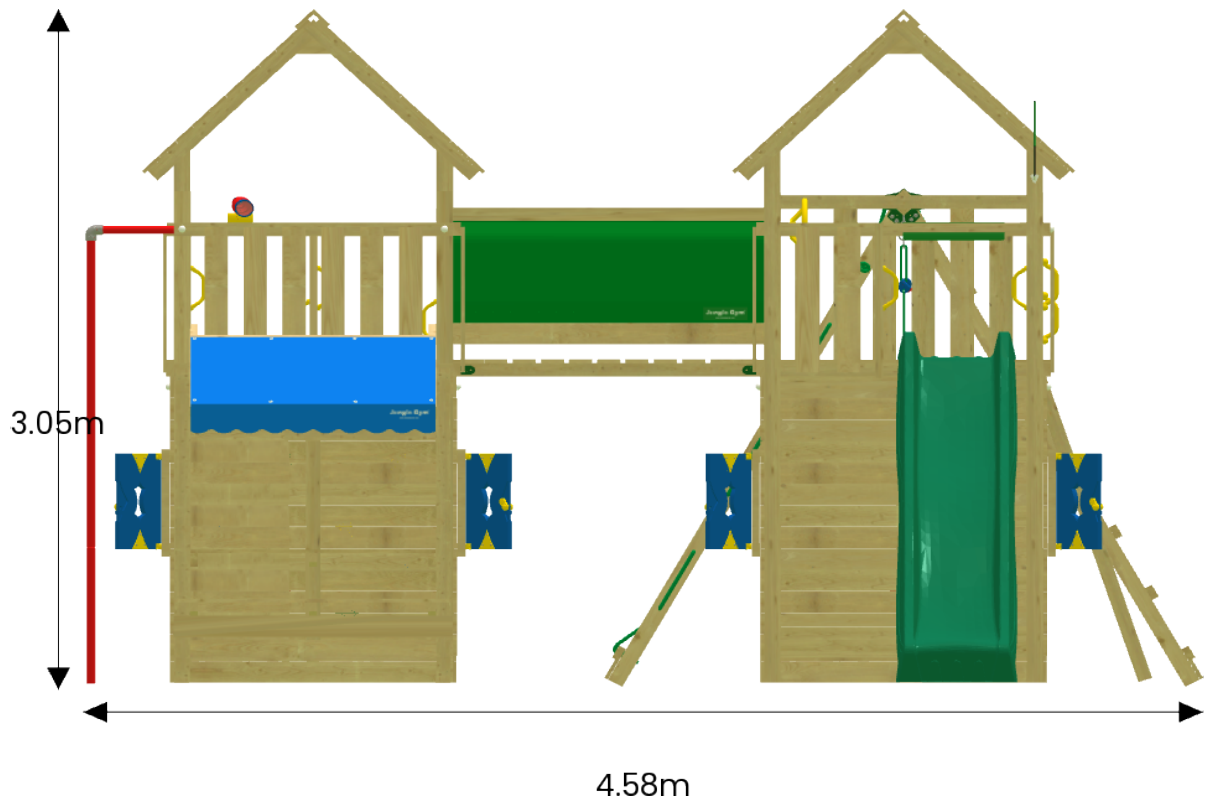
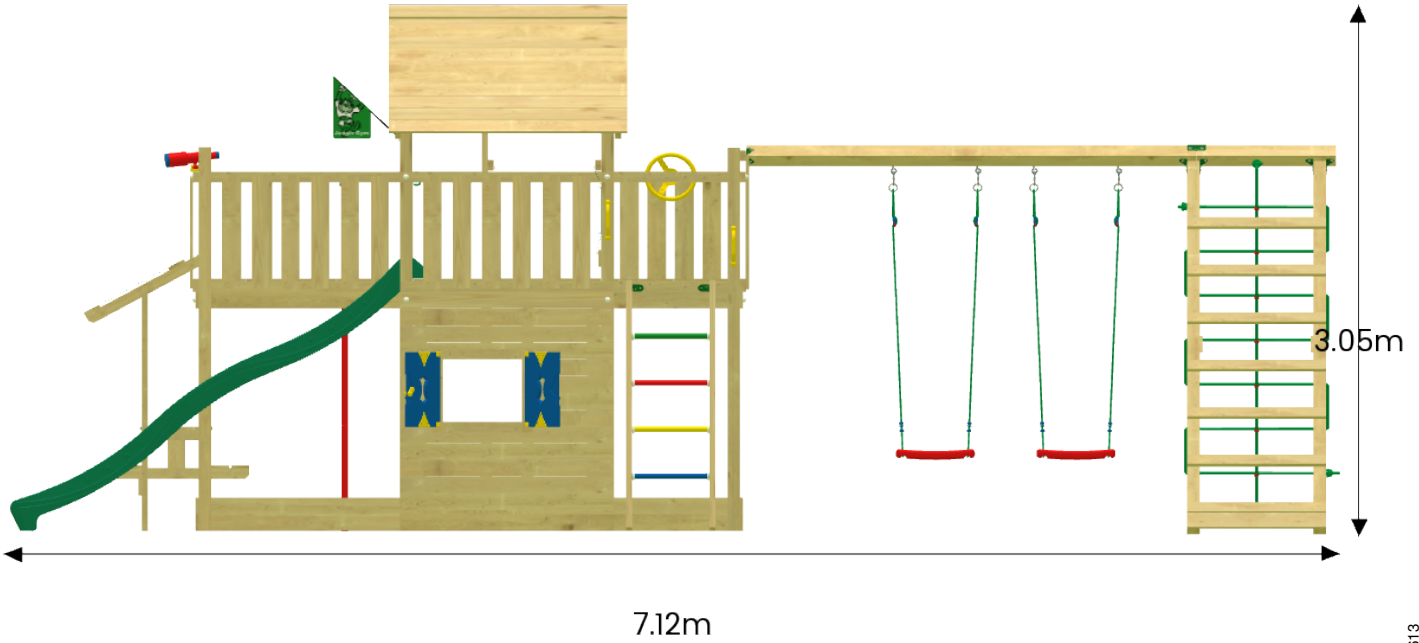
Optional: Post anchors



Manual ID: 048_071_2613



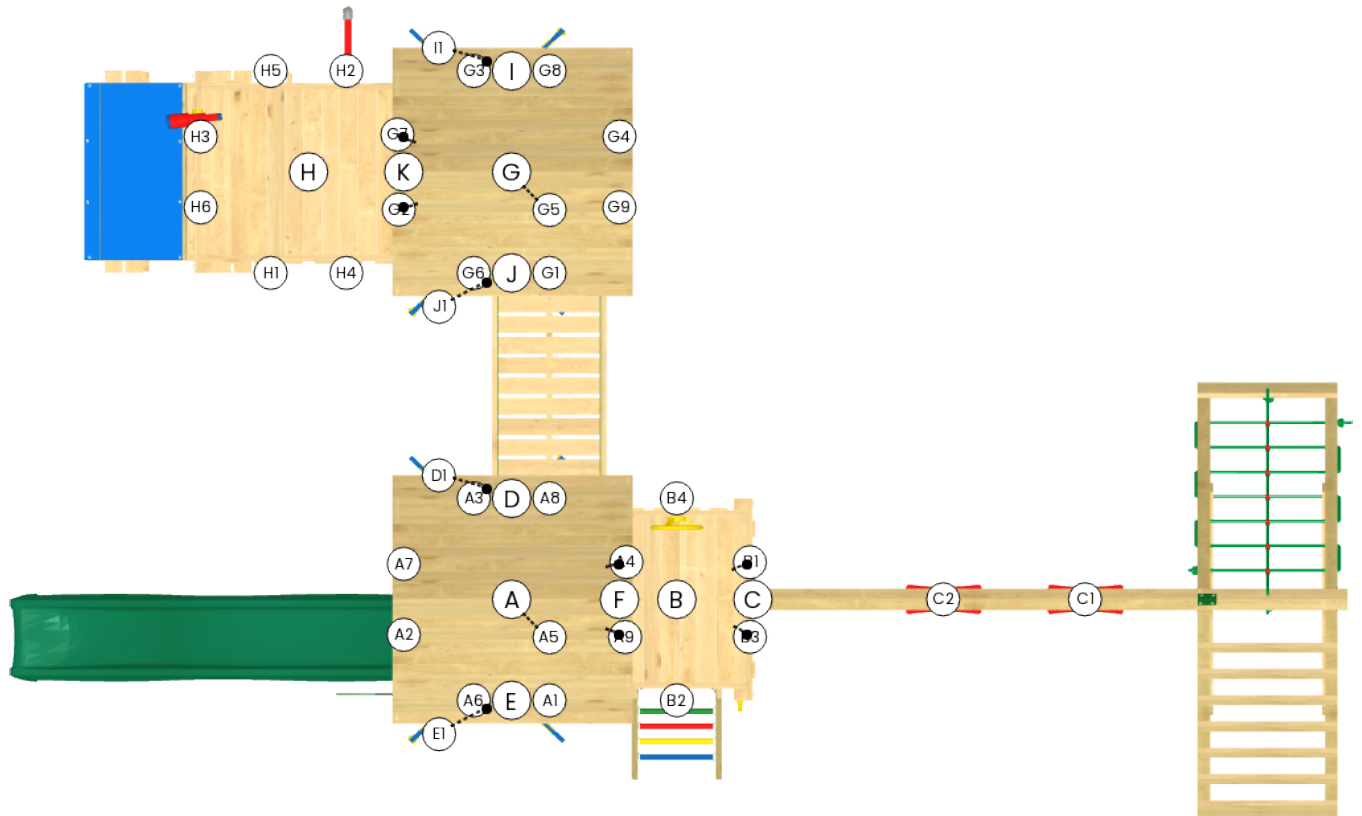
Dimensions Abmessungen Dimensions





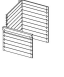
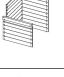
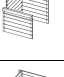
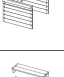





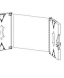


Manual ID: 048_071_2613



Assembly sequence Montagereihenfolge Séquence d'assemblage



	ID			A	B	C	D	E	F	G	H	I	J	K
1	BT14a		p.20	✓	-	-	-	-	-	✓	-	-	-	-
2	ET07a		p.23	-	✓	-	-	-	-	-	-	-	-	-
3	ET15a		p.26	-	-	-	-	-	-	-	✓	-	-	-
4	BL01a		p.29	-	B4	-	-	-	-	-	-	-	-	-
5	BL03a		p.30	-	-	-	-	-	-	-	H4	-	-	-
6	BL04a		p.31	A1	B3	-	-	-	-	G8	H3	-	-	-
7	RF08b		p.32	A5	-	-	-	-	-	G5	-	-	-	-
8	BF03a		p.35	A3	-	-	-	-	-	-	-	-	-	-
9	BF04a		p.37	-	-	-	-	-	-	G6	-	-	-	-
10	BB02a		p.39	A8	-	-	-	-	-	G1	-	-	-	-

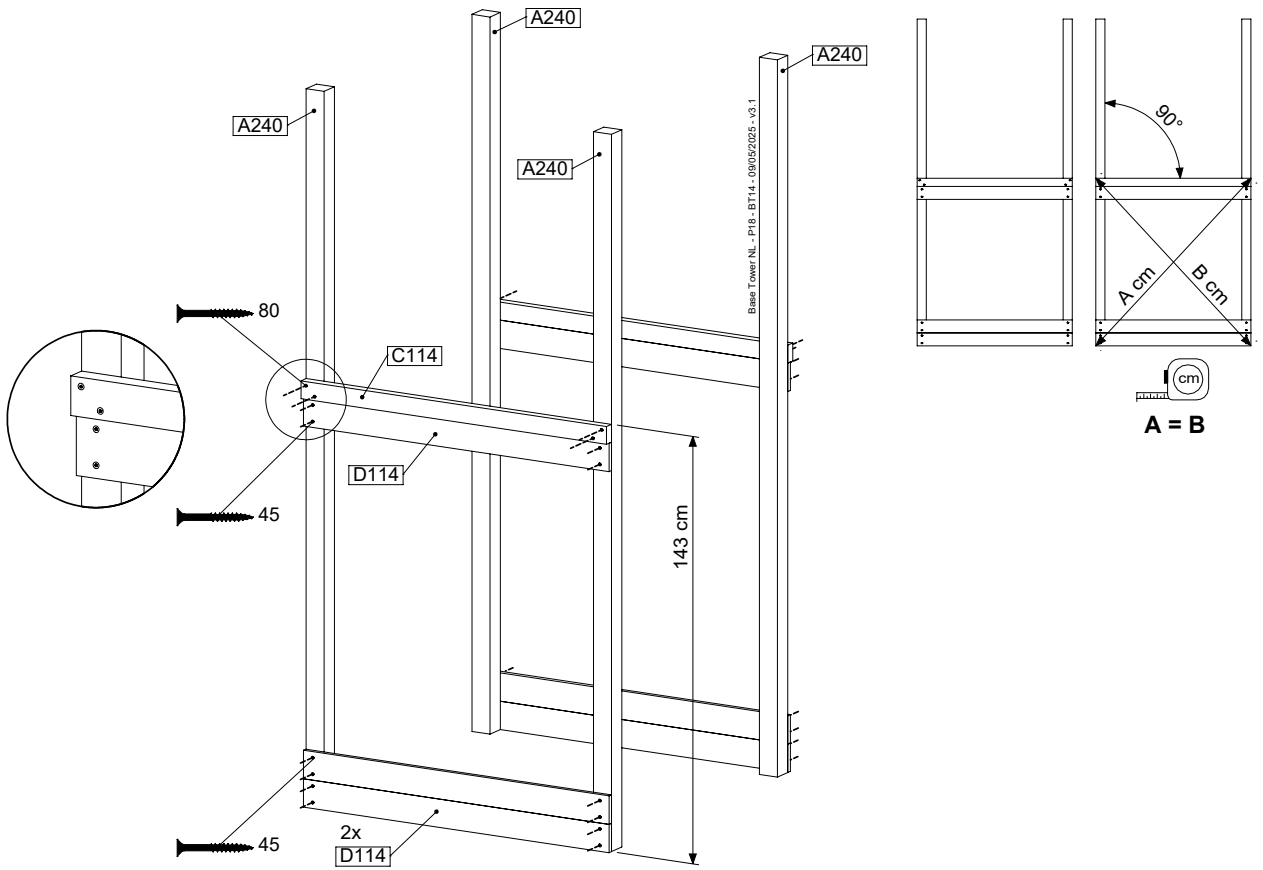
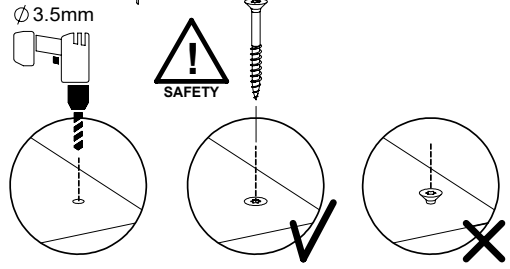
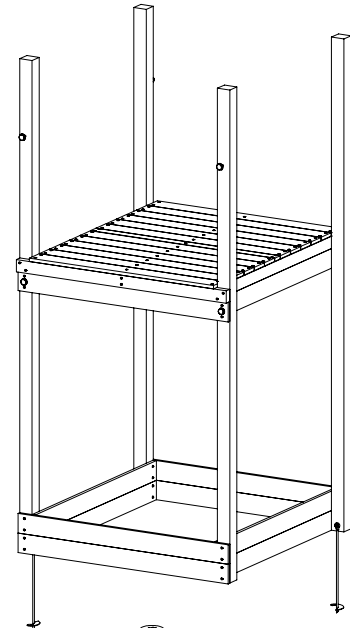
	ID			A	B	C	D	E	F	G	H	I	J	K
11	RW40a		p.44	-	-	-	-	-	-	G9	-	-	-	-
12	LA03a		p.46	-	B2	-	-	-	-	-	-	-	-	-
13	PH40a		p.49	A2	-	-	-	-	-	-	-	-	-	-
14	PH43a		p.50	-	-	-	-	-	✓	-	-	-	-	✓
15	PH48b		p.52	-	-	-	-	✓	-	-	-	-	✓	-
16	PH49b		p.56	-	-	-	✓	-	-	-	-	✓	-	-
17	PC06a		p.60	-	-	-	-	-	-	-	H3	-	-	-
18	UB07a		p.64	-	-	✓	-	-	-	-	-	-	-	-
19	CL14b		p.66	-	-	✓	-	-	-	-	-	-	-	-
20	SL11a		p.79	A2	-	-	-	-	-	-	-	-	-	-
21	FP04a		p.83	-	-	-	-	-	-	-	H2	-	-	-
22	GA		p.85	✓	✓	✓	-	-	-	✓	✓	-	-	-
23	AC02a		p.87	-	-	-	D1	E1	-	-	-	I1	J1	-
24	AC01a		p.88	✓	-	-	-	-	-	-	-	-	-	-

1 BT14a: Base Tower 115 145cm 240240

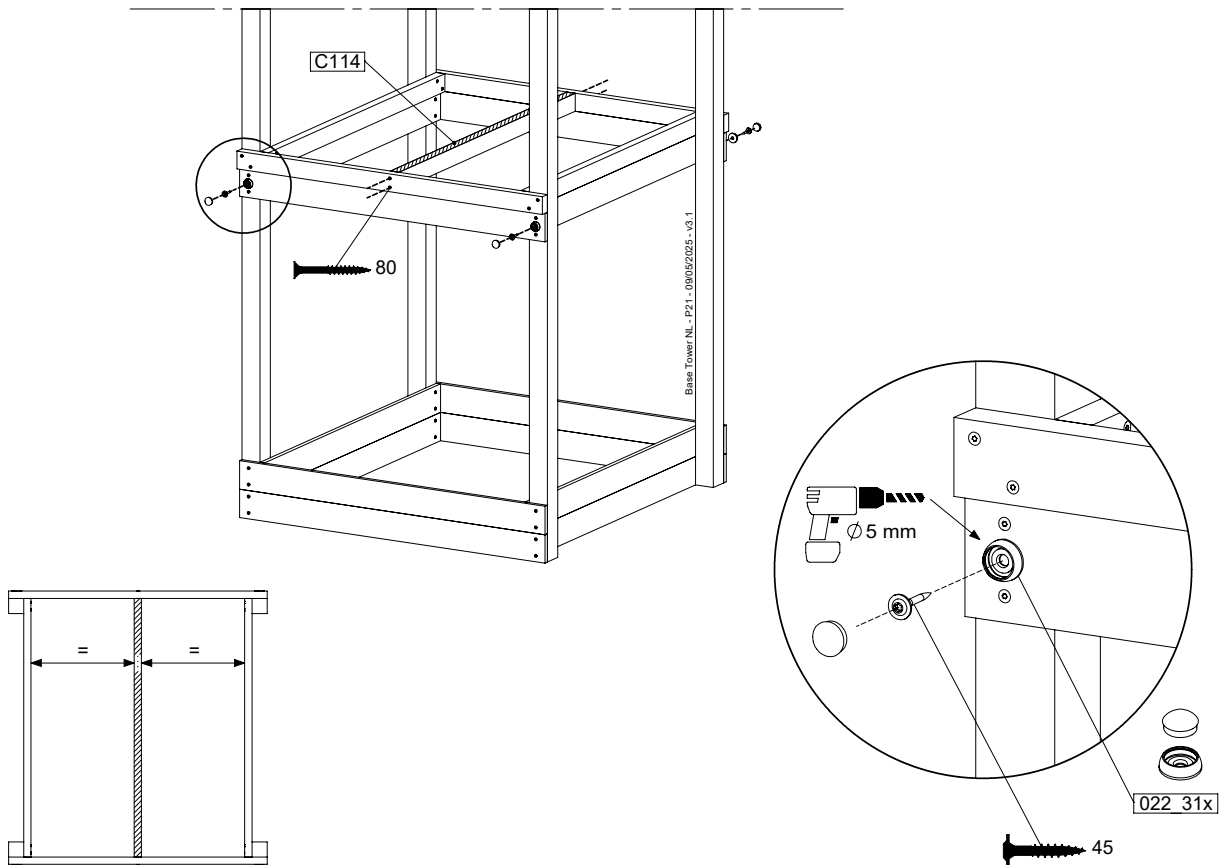
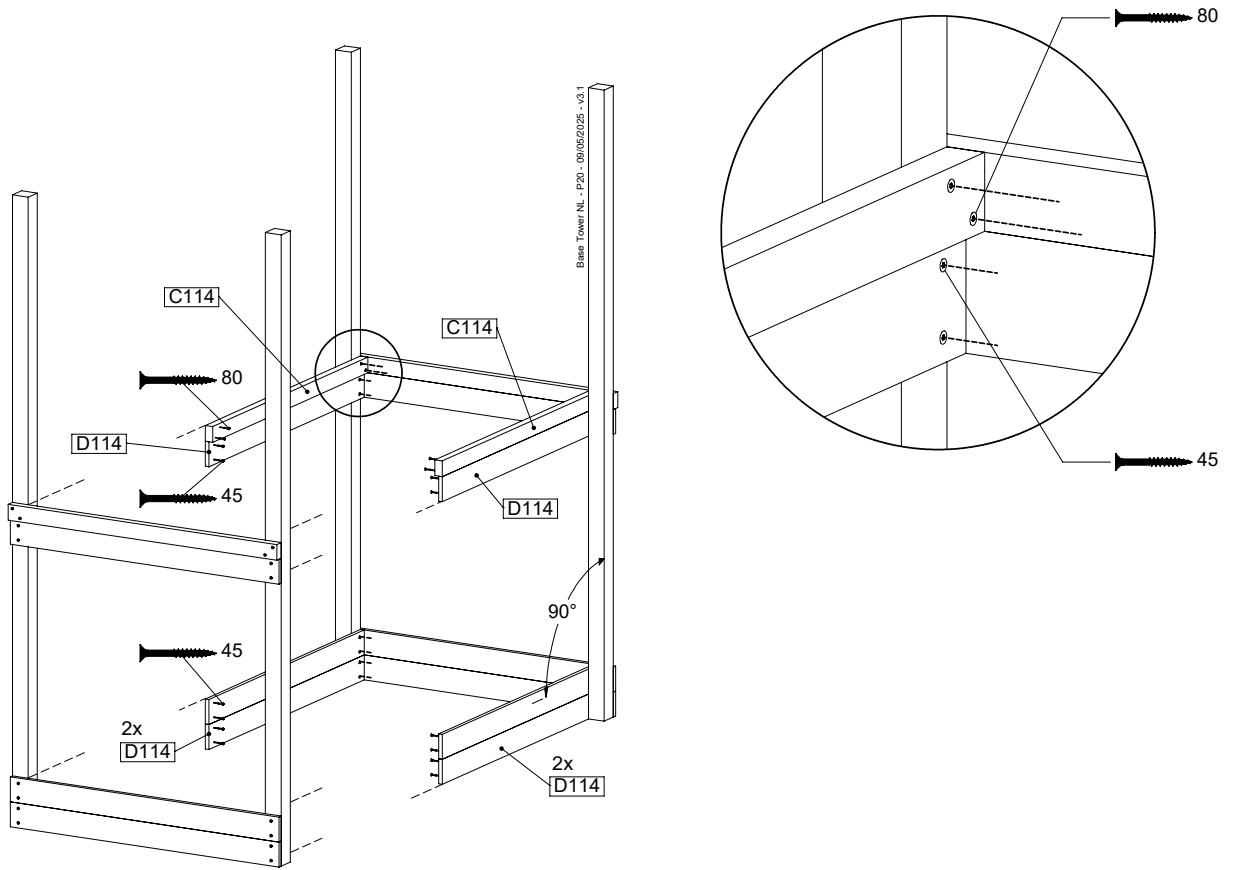
Assembly Pack: 194_300

	PartNo	PartName	QTY.
Hardware + Parts	001_406	Stealth Screw 8x45	6
	001_417	Stealth Screw 8x80	4
	002_220	Gap Point Screw T25 - 5x45	118
	002_223	Gap Point Screw T25 - 5x80	20
	022_31x	bpc-base version 3	8
	022_84x	bpc cover	8
	007_001	Ground-anchor	2
Timber	A240	Post ca.70x70 L2400	4
	C114	Beam 1140 mm	5
	D100	Board 1000 mm	14
	D114	Board 1140 mm	12

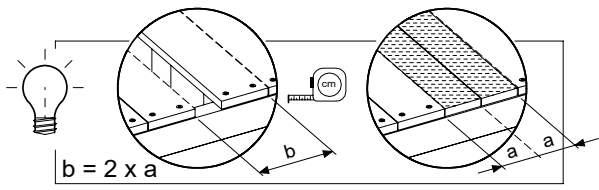
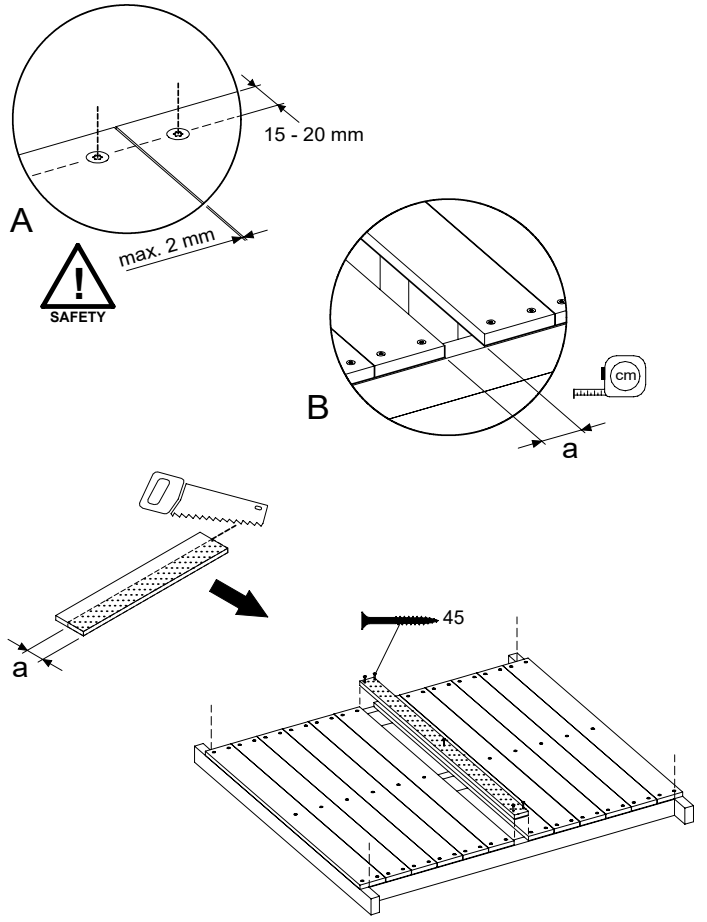
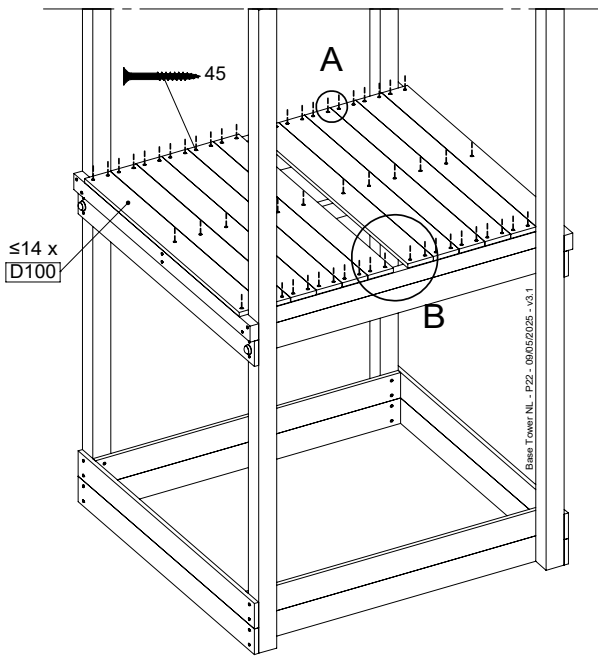
Base Tower NL - P19 - BT14 - 09052025 - v3.1



Manual ID: 048_071_2613



1.2

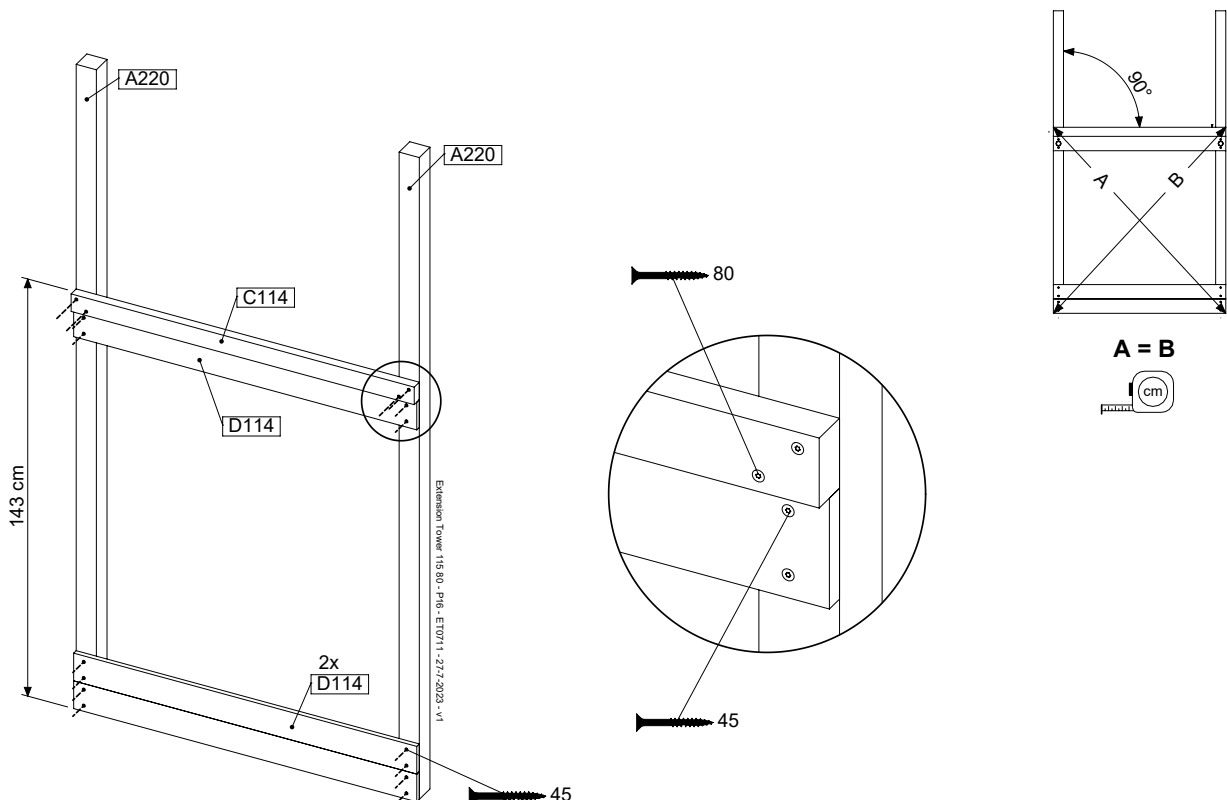
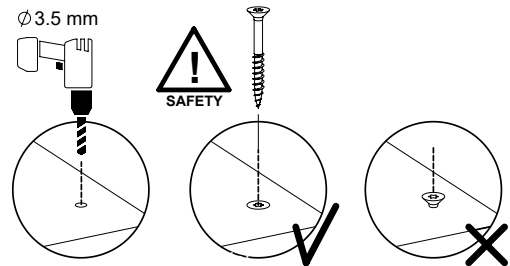
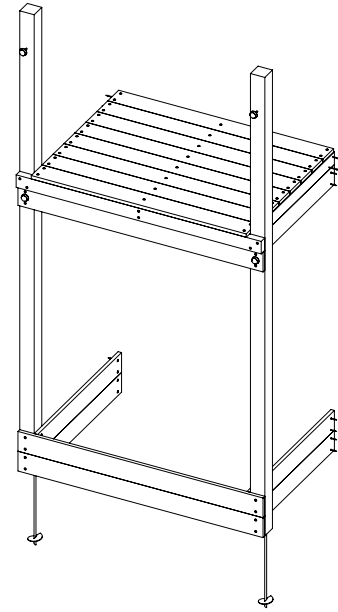


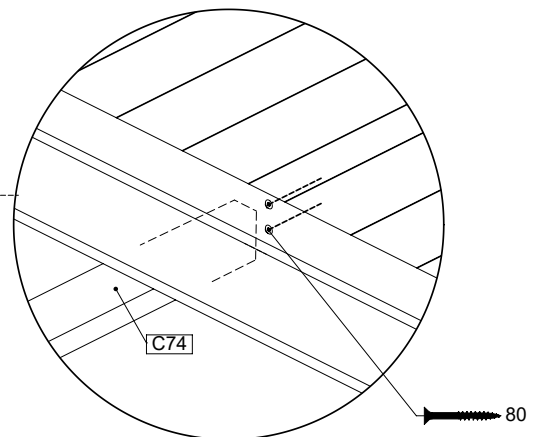
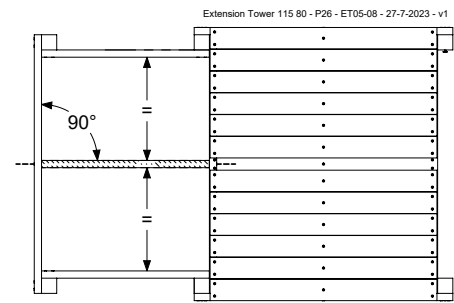
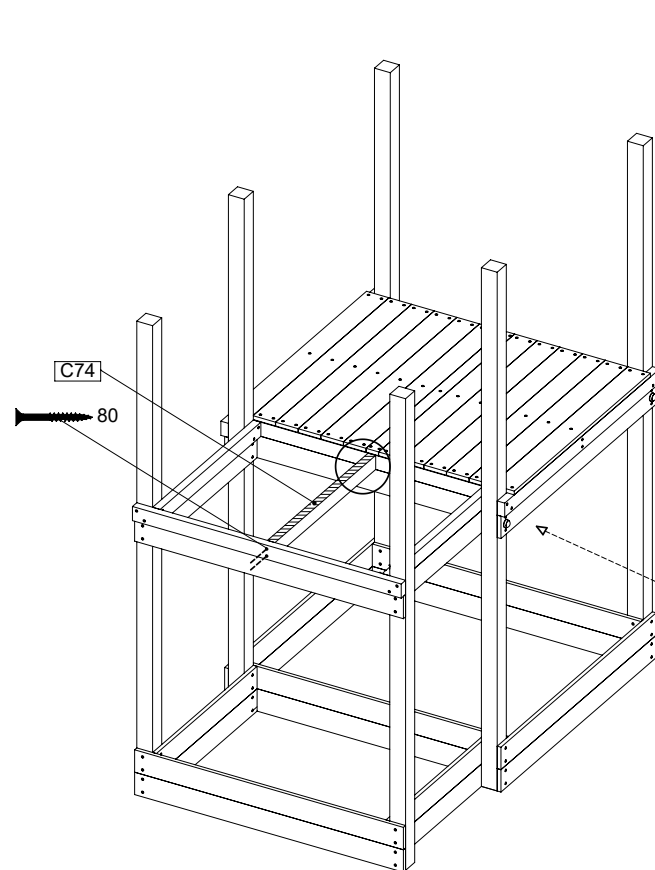
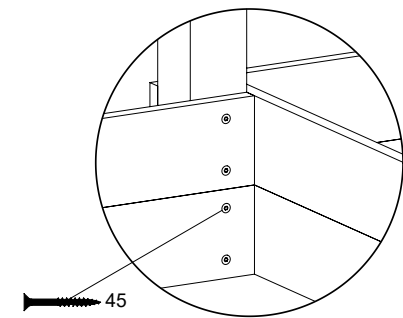
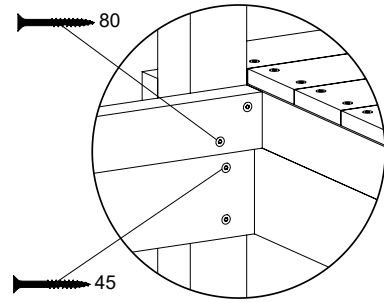
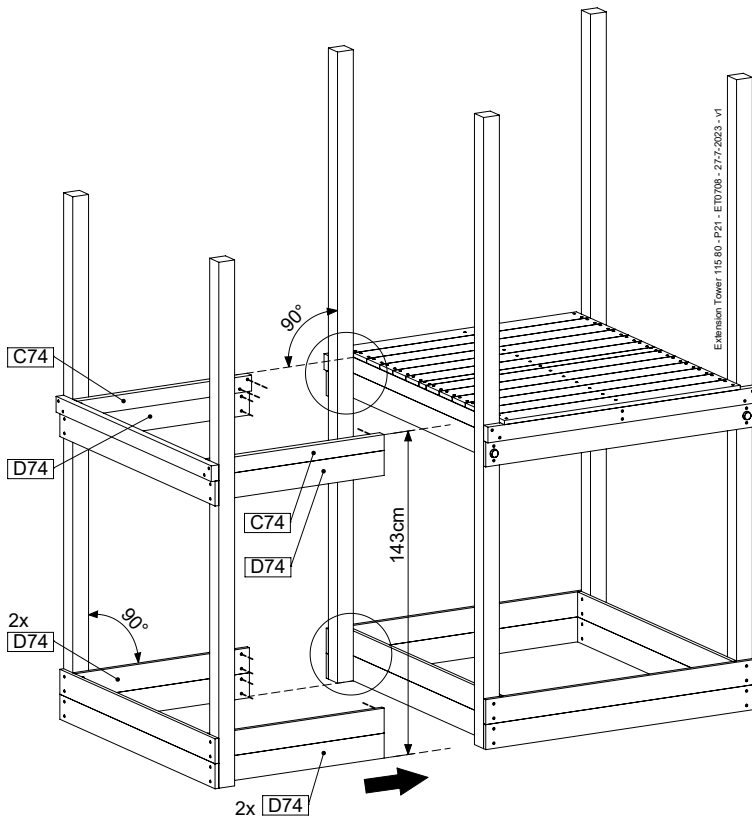
2 ET07a: Extension Tower 11580 220/145

(194_300)

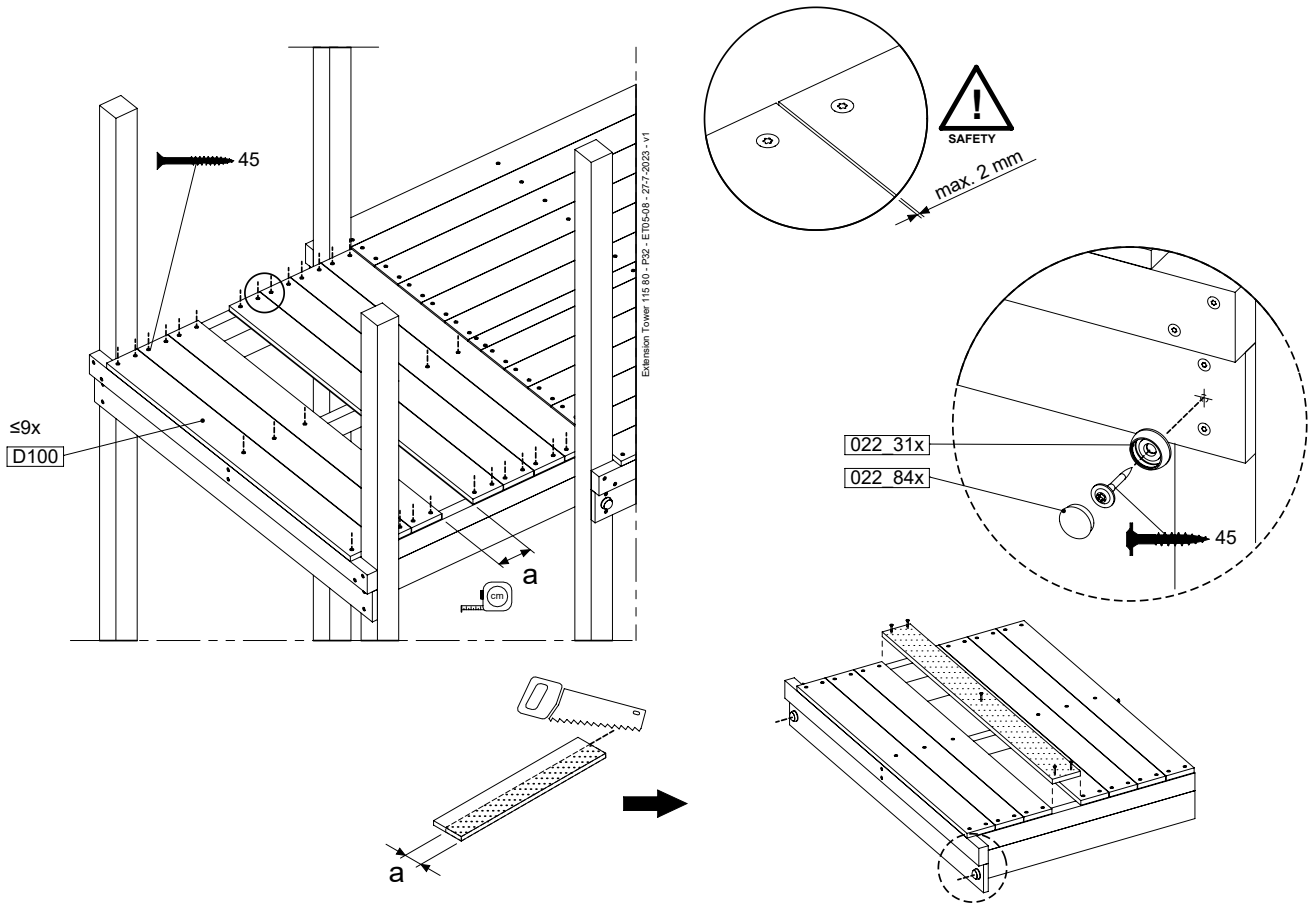
	PartNo	PartName	QTY.
Hardware pack	001_406	Stealth Screw 8x45	4
	001_417	Stealth Screw 8x80	2
	002_220	Gap Point Screw T25 - 5x45	81
	002_223	Gap Point Screw T25 - 5x80	16
Other	007_001	Ground-anchor	2
	022_31x	bpc-base version 3	4
	022_84x	bpc cover	4
Timber	A220	Post 70x70 L2200	2
	C74	Beam 740 mm	3
	C114	Beam 1140 mm	1
	D74	Board 740 mm	6
	D100	Board 1000 mm	9
	D114	Board 1140 mm	3

Extension Tower 115 80 - P04 - ET07 - 27.7-2023 - v1





2.2

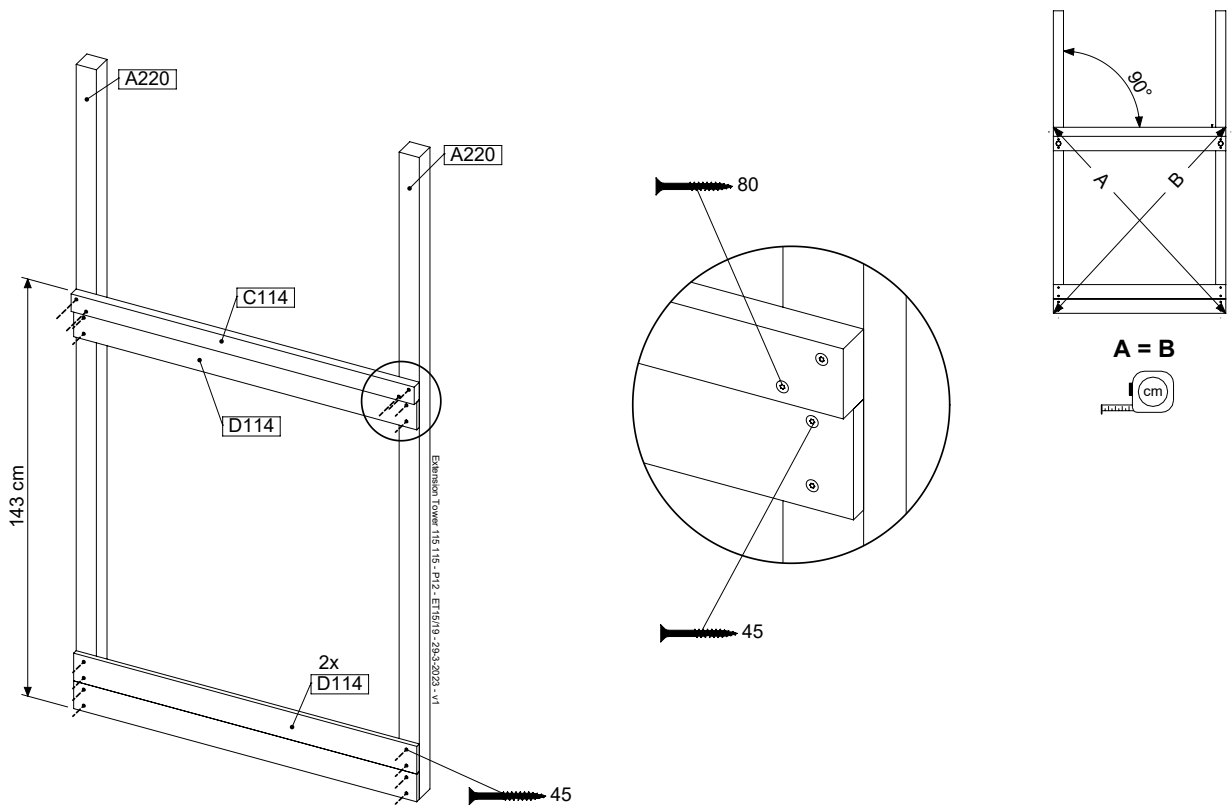
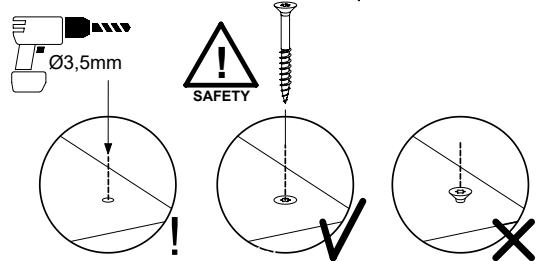
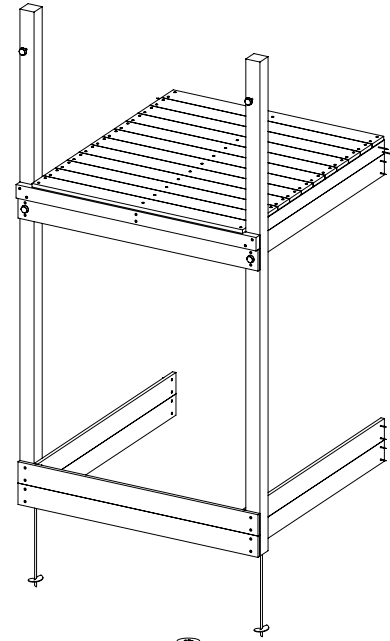


3 ET15a: Extension Tower 115 220/145

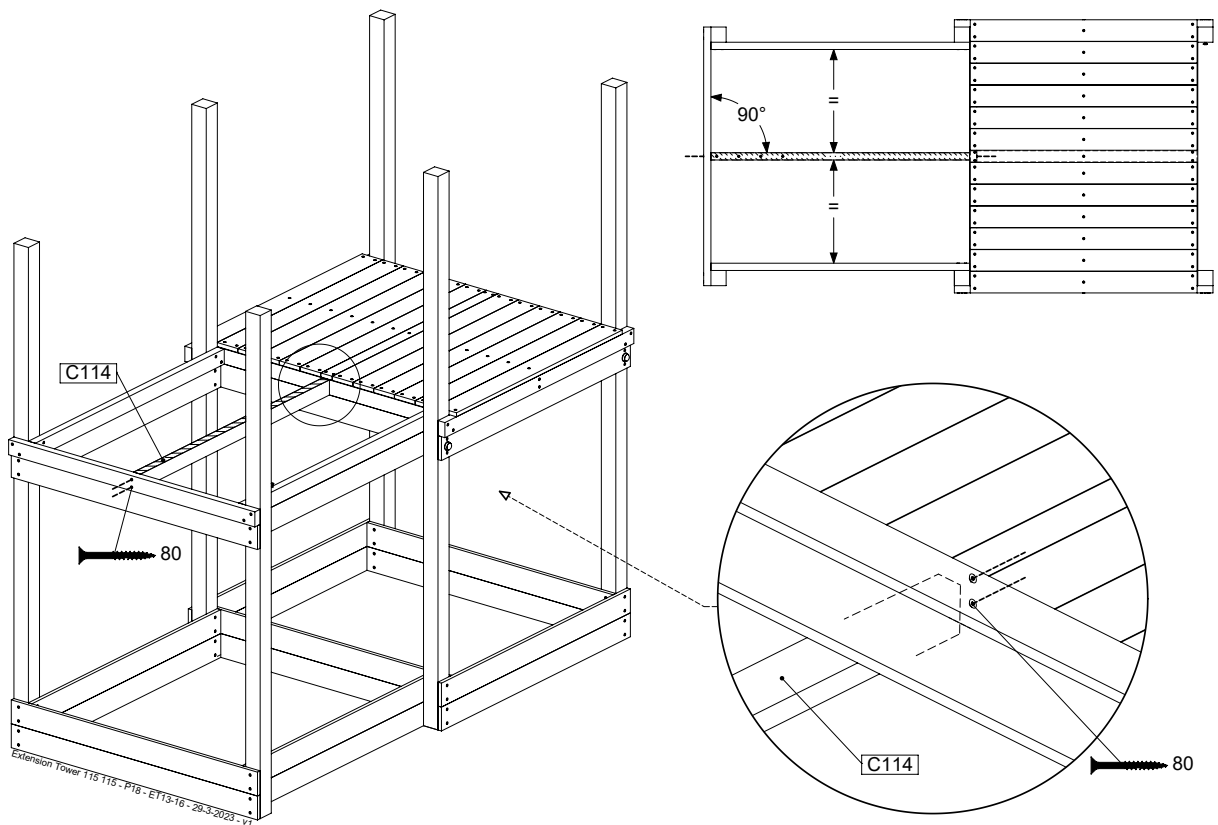
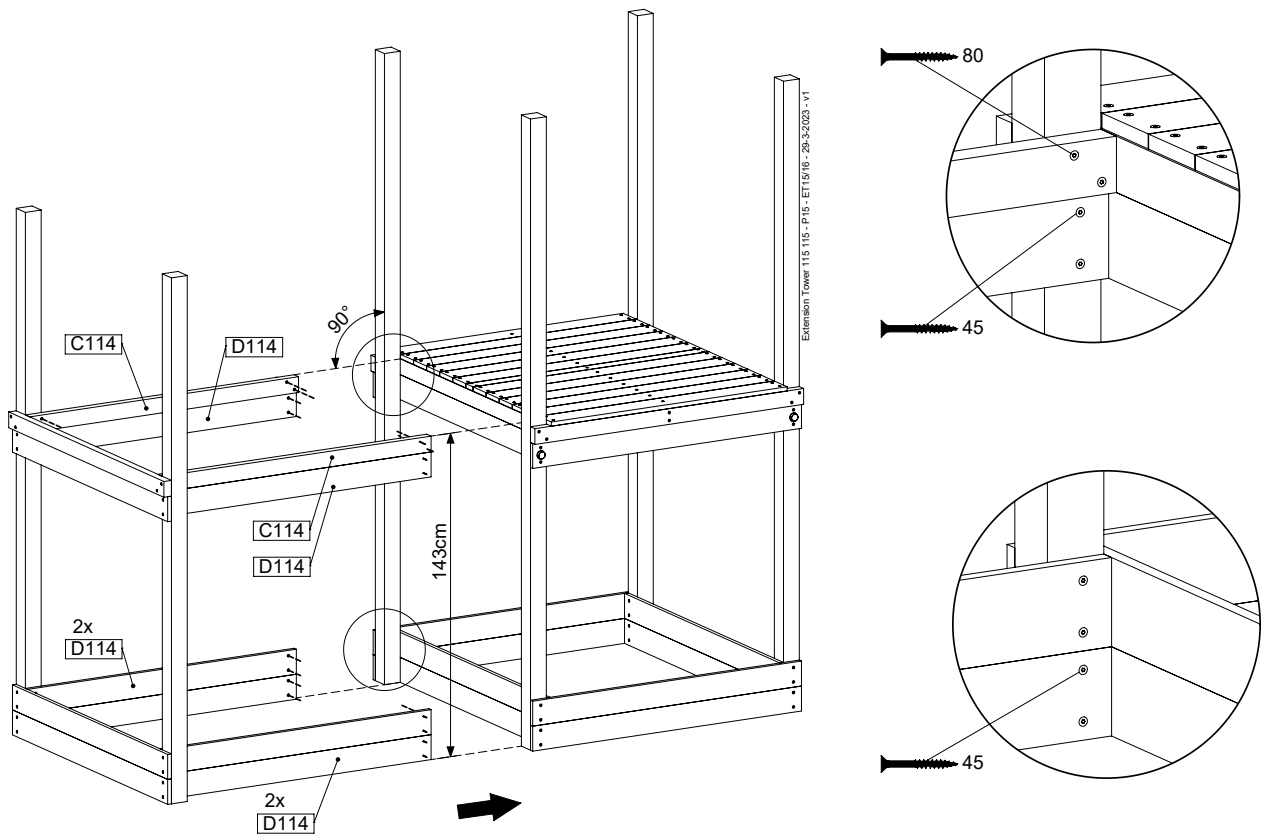
(194_300)

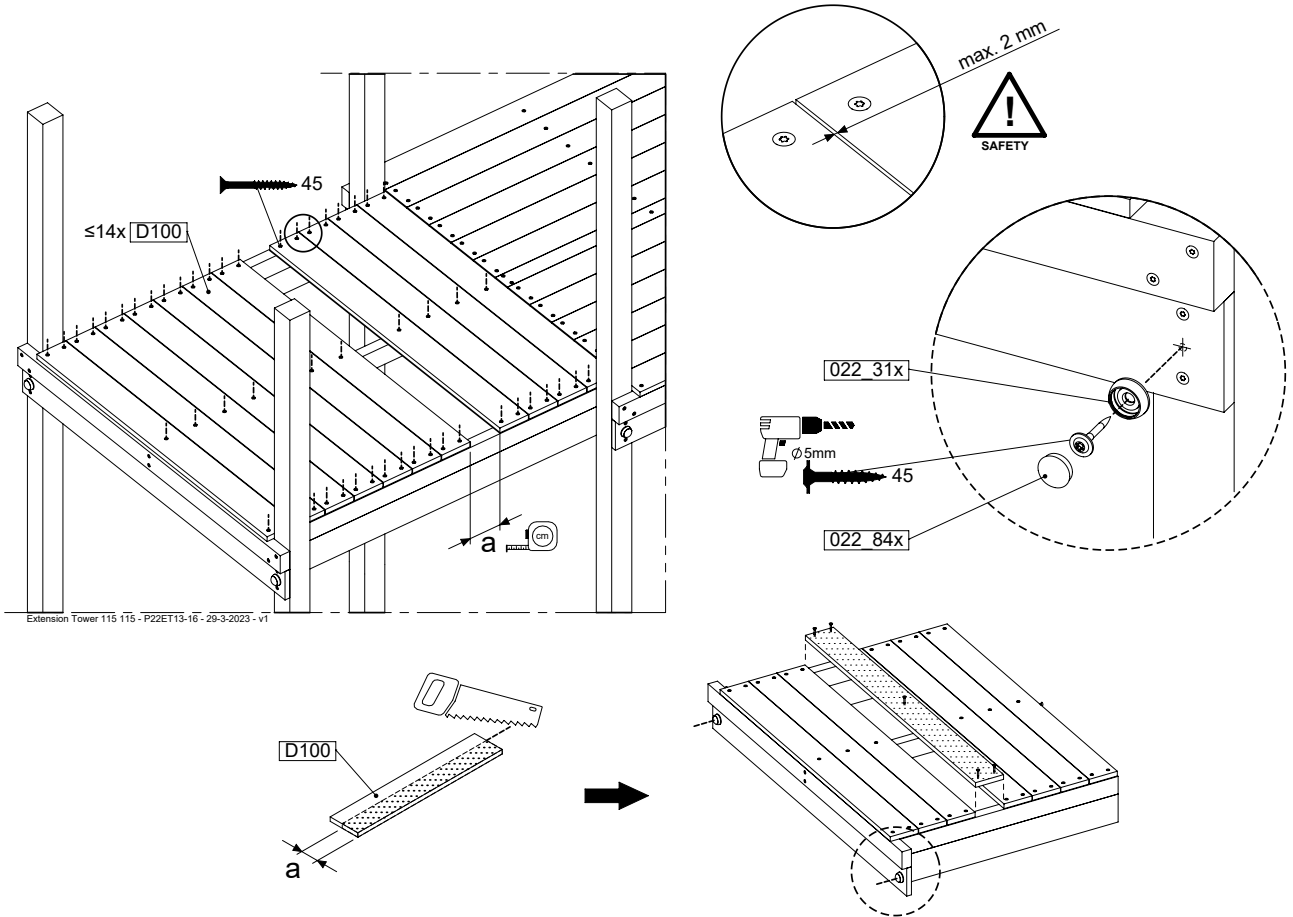
	PartNo	PartName	QTY.
Hardware pack	001_406	Stealth Screw 8x45	4
	001_417	Stealth Screw 8x80	2
	002_220	Gap Point Screw T25 - 5x45	106
	002_223	Gap Point Screw T25 - 5x80	16
Other	007_001	Ground-anchor	2
	022_31x	bpc-base version 3	4
	022_84x	bpc cover	4
Timber	A220	Post 70x70 L2200	2
	C114	Beam 1140 mm	4
	D100	Board 1000 mm	14
	D114	Board 1140 mm	9

Extension tower 115 115 - P04 - ET15 - 28-3-2023 - v1



3.1



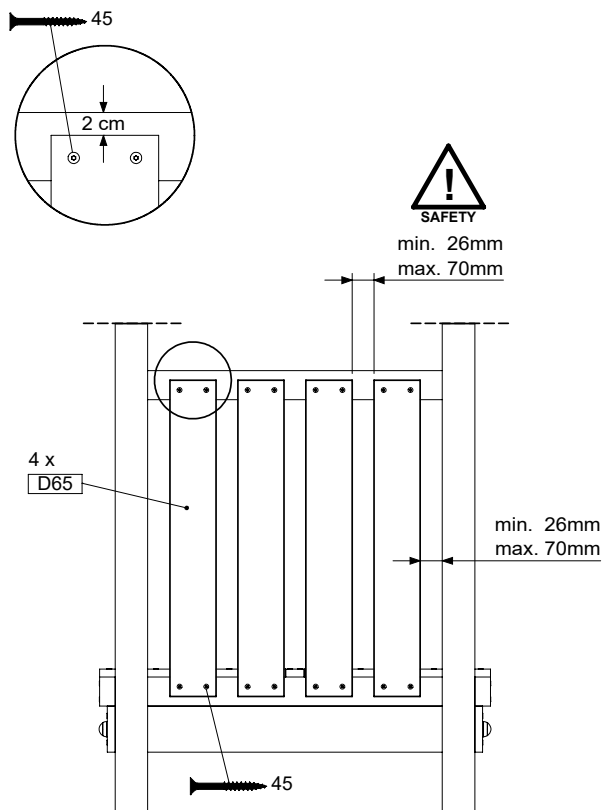
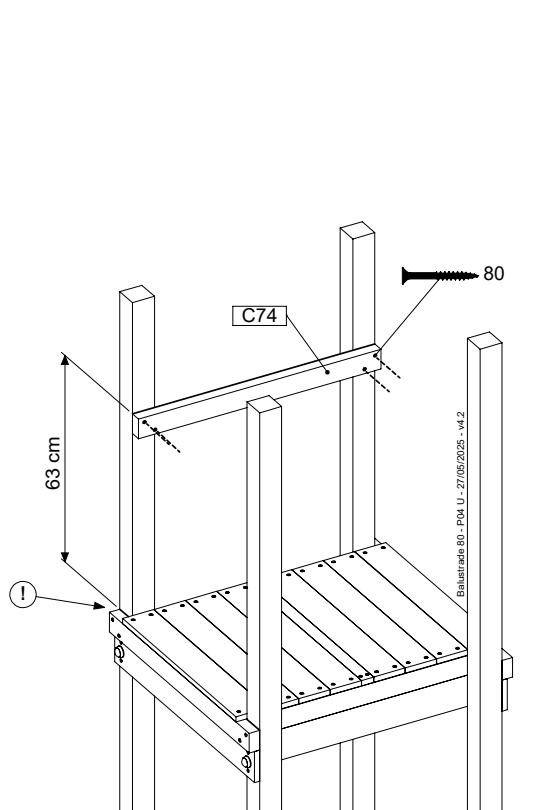
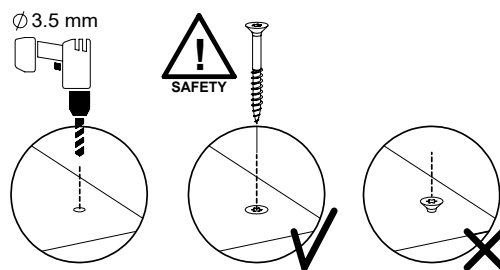
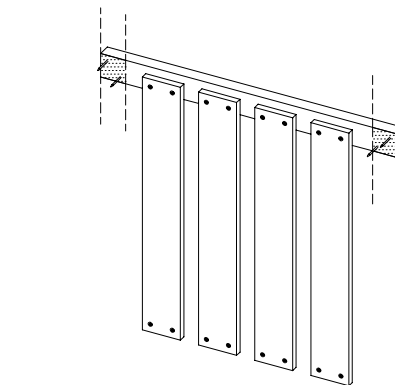


4 BL01a: Balustrade 80 U - 7x7 posts

Assembly Pack: 194_101

	PartNo	PartName	QTY.
Hardware + Parts	002_220	Gap Point Screw T25 - 5x45	16
	002_223	Gap Point Screw T25 - 5x80	4
Timber	C74	Beam 740 mm	1
	D65	Board 650 mm	4

Balustrade 80 - P04 U - 27/05/2025 - v1.2

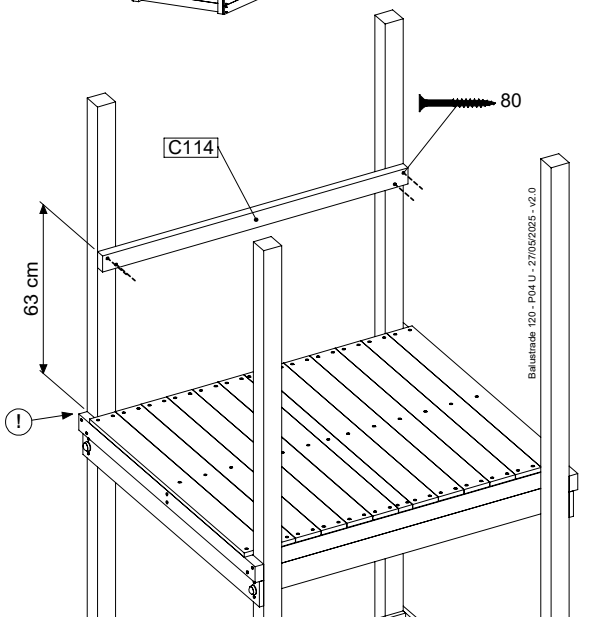
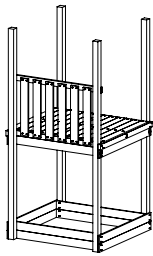
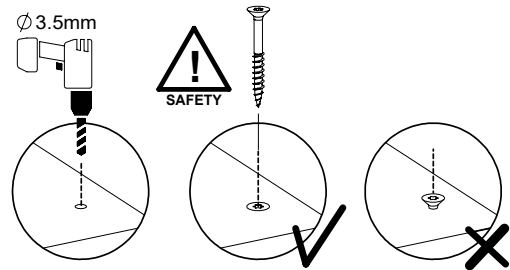
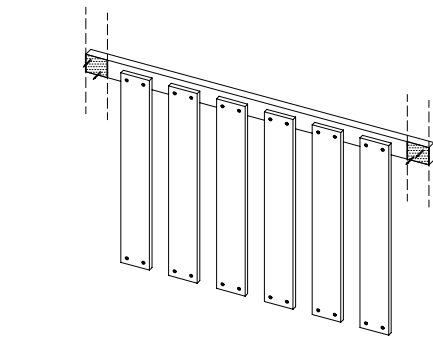


5 BL03a: Balustrade 115 U

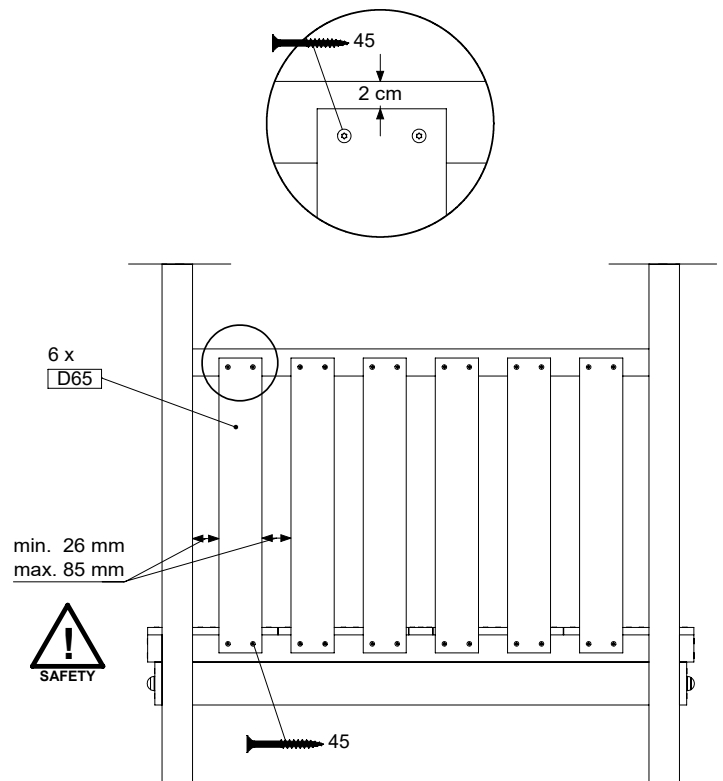
Assembly Pack: 194_501

	PartNo	PartName	QTY.
Hardware + Parts	002_220	Gap Point Screw T25 - 5x45	24
	002_223	Gap Point Screw T25 - 5x80	4
Timber	C114	Beam 1140 mm	1
	D65	Board 650 mm	6

Balustrade 120 - P04.U - 27/05/2025 - v2.0



Balustrade 120 - P04.U - 27/05/2025 - v2.0

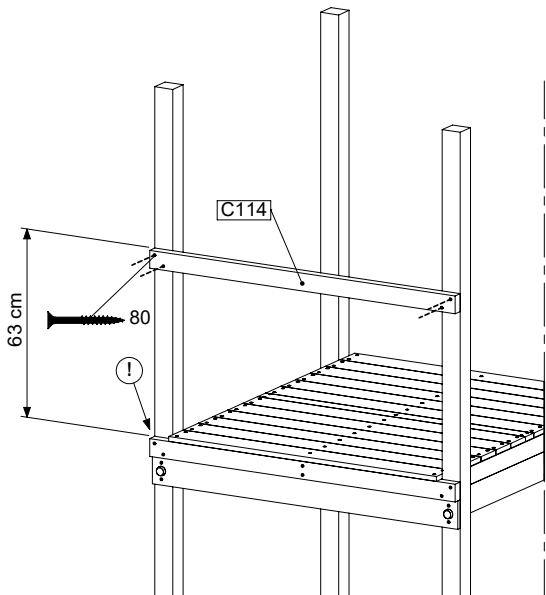
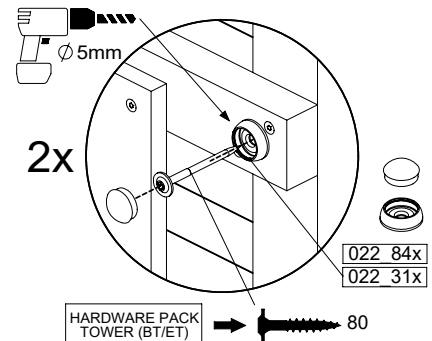
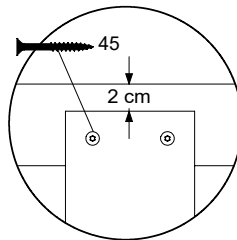
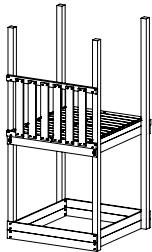
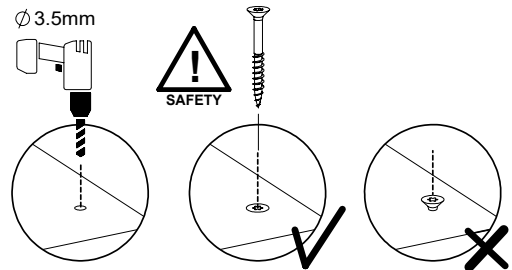
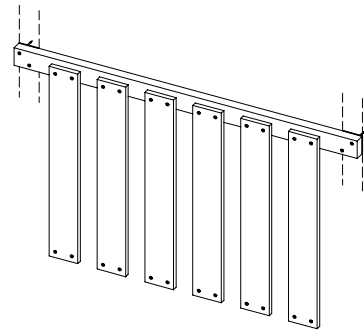


6 BL04a: Balustrade 115 T

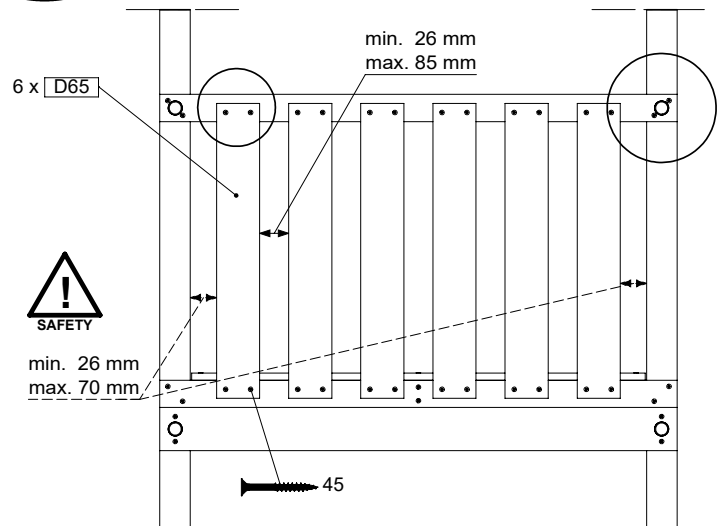
Assembly Pack: 194_501

	PartNo	PartName	QTY.
Hardware + Parts	002_220	Gap Point Screw T25 - 5x45	24
	002_223	Gap Point Screw T25 - 5x80	4
Timber	C114	Beam 1140 mm	1
	D65	Board 650 mm	6

Balustrade 120 - P03 T - 27/05/2025 - v2.0

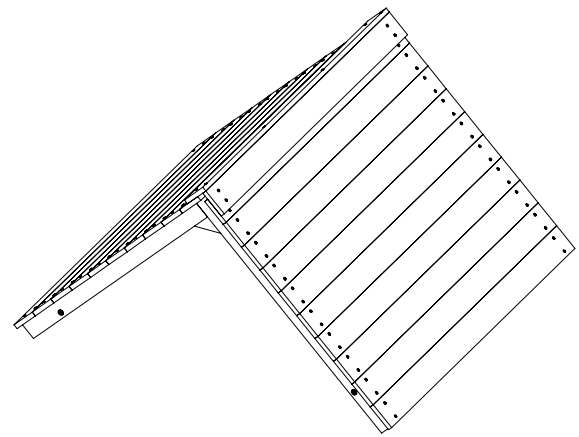


Balustrade 120 - P05 T - 27/05/2025 - v2.0



Manual ID: 048_071_2613

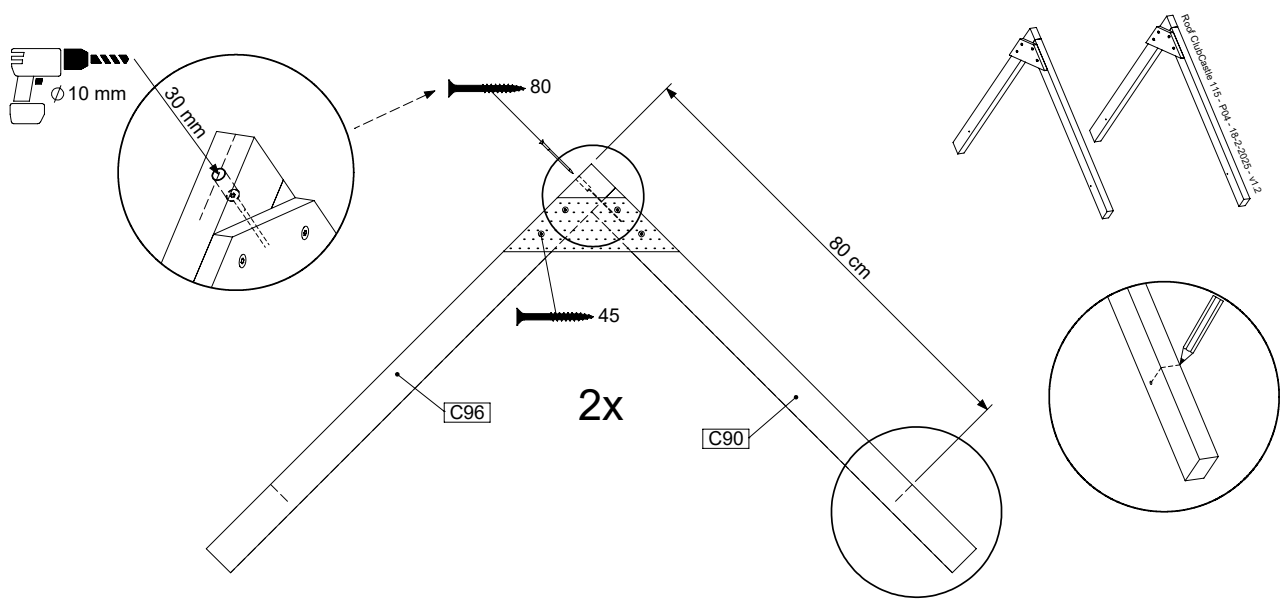
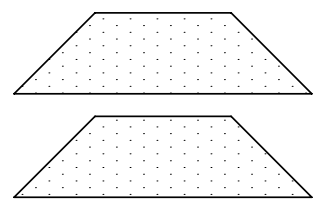
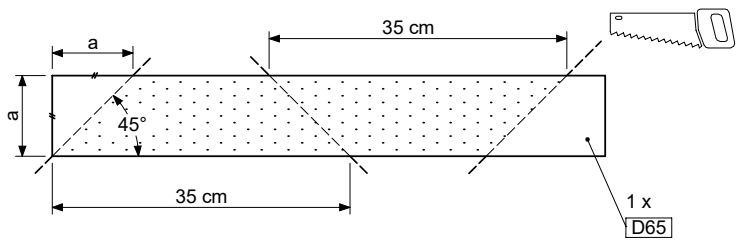
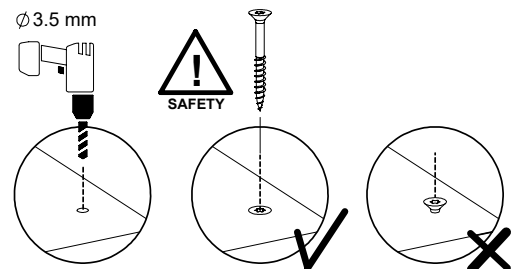
7 RF08b: Roof Timber Gable 115 - 2.0



Assembly Pack: 194_308 / 194_804

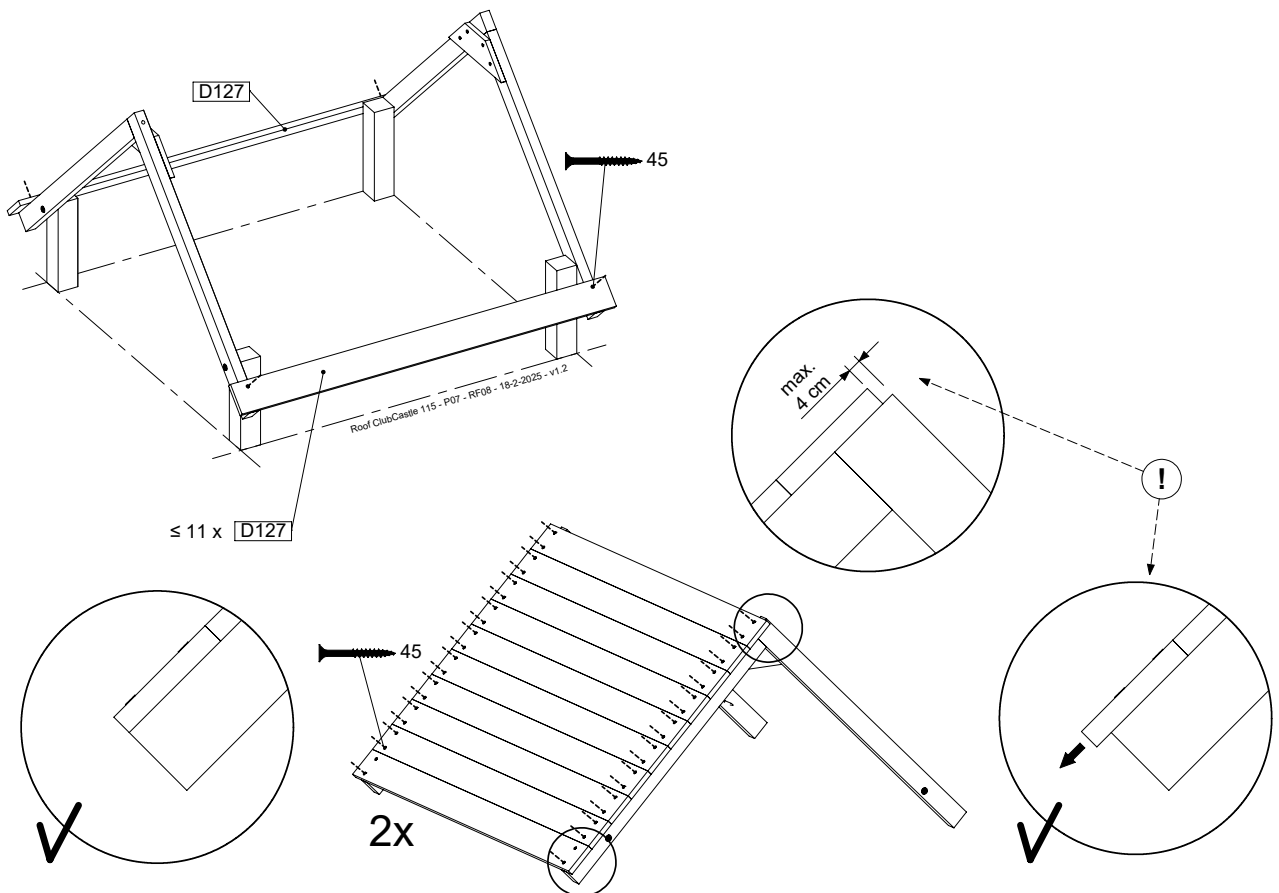
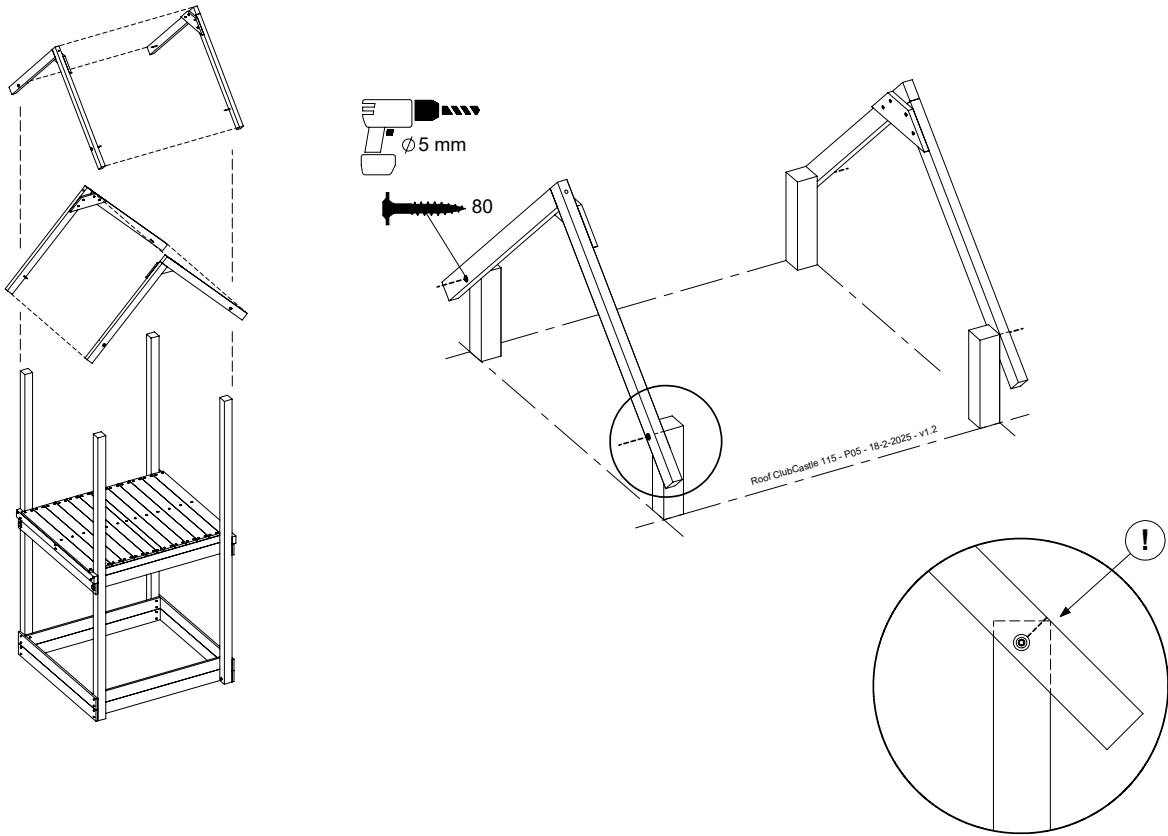
	PartNo	PartName	QTY.
Hardware Pack	001_417	Stealth Screw 8x80	4
	002_220	Gap Point Screw T25 - 5x45	100
	002_223	Gap Point Screw T25 - 5x80	8
Timber	C96	Beam 960 mm	2
	D65	Board 650 mm	1
	D127	Board 1270 mm	24
	C90	Beam 900 mm	2

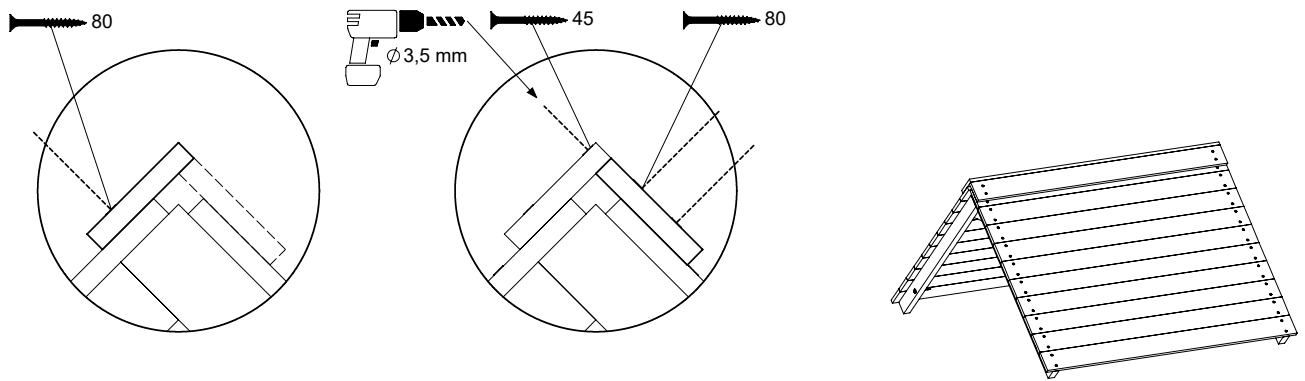
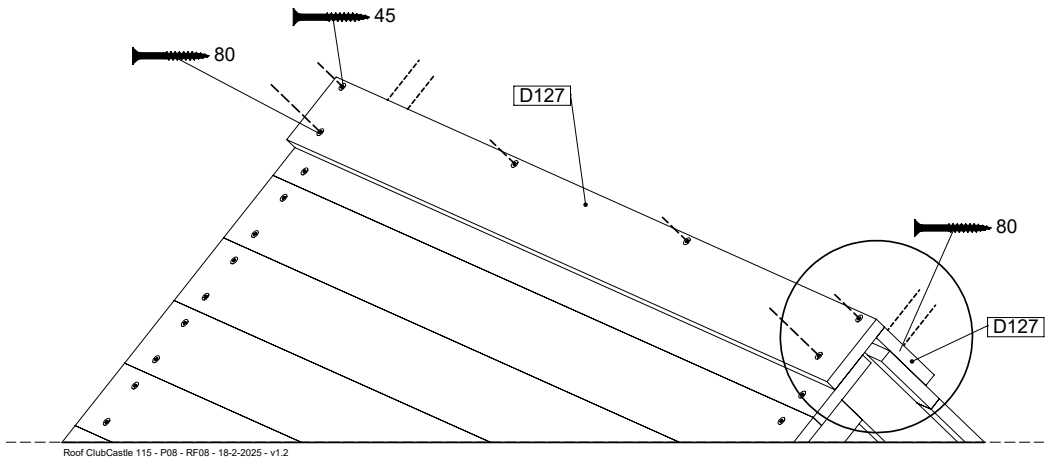
Roof ClubGable 115 - P03 - RF08 - 18-2-2025 - v1.2



Manual ID: 048_071_2613

7.1



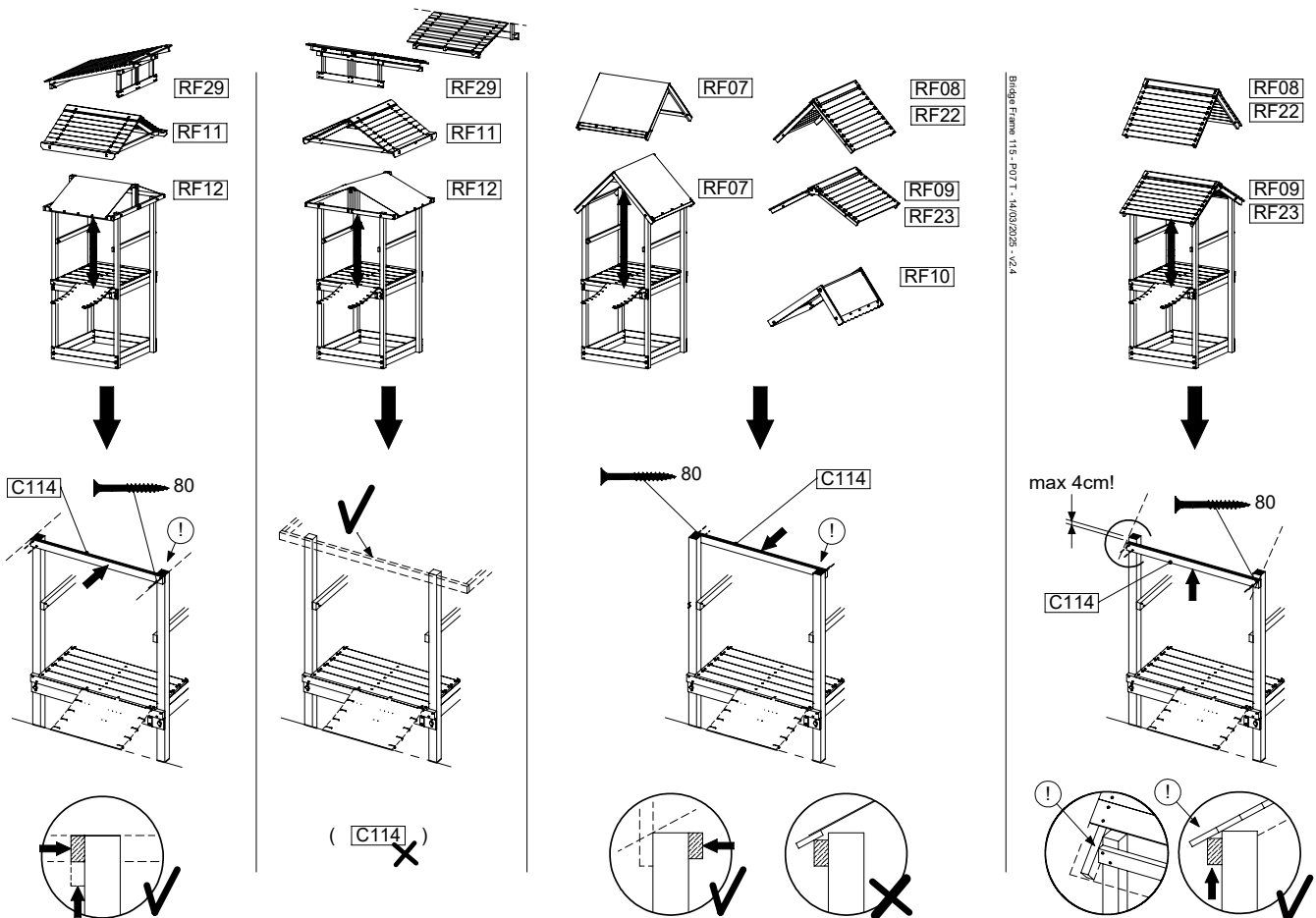
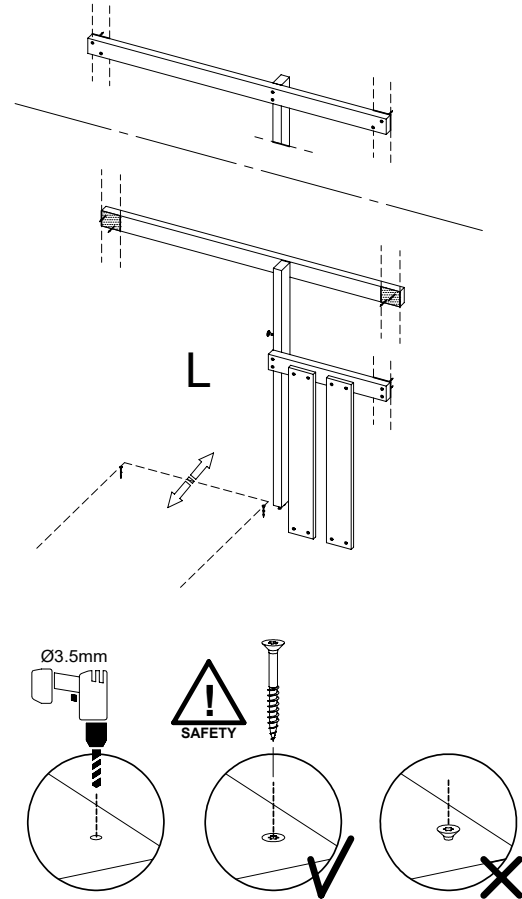


8 BF03a: Bridge Frame 115 T Left

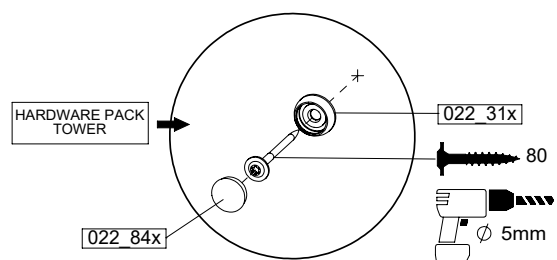
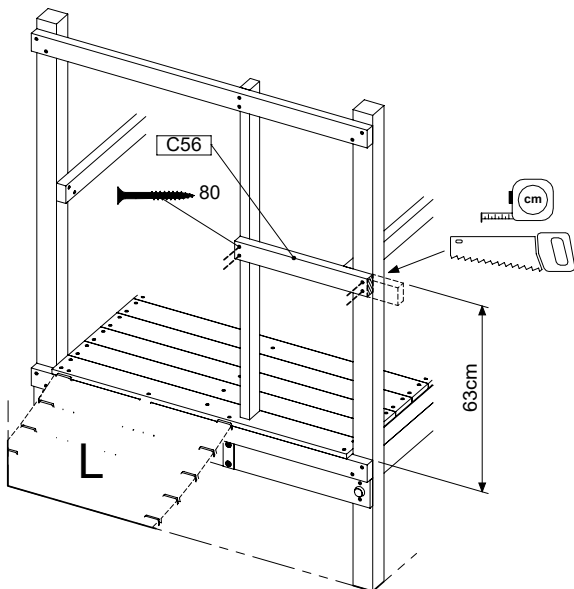
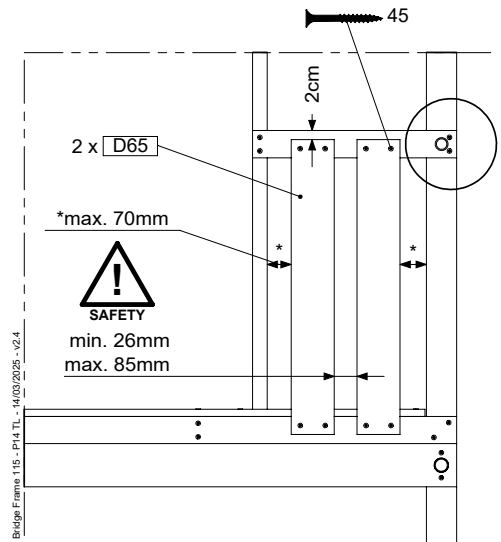
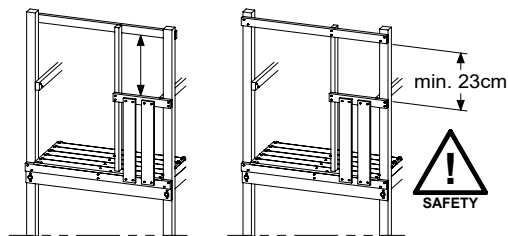
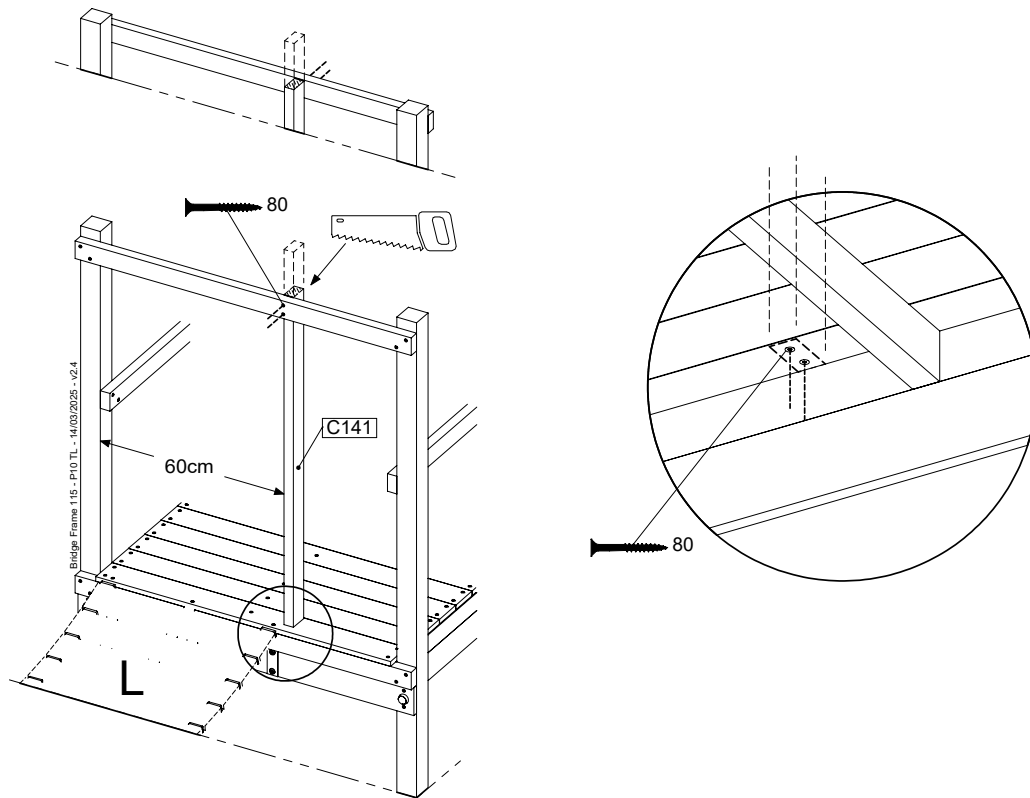
Assembly Pack: 194_007 (a) / 194_802(b)

	PartNo	PartName	QTY.
Hardware + Parts	001_411	Stealth Screw 8x60	1
	002_220	Gap Point Screw T25 - 5x45	10
	002_223	Gap Point Screw T25 - 5x80	12
Timber	C56	Beam 560 mm	1
	C114	Beam 1140 mm	1
	C141	Beam 1410 mm	1
	D65	Board 650 mm	2

Bridge Frame 115 - P04 TL - 14/03/2025 - v2.4



Bridge Frame 115 - P07 L - 14/03/2025 - v2.4

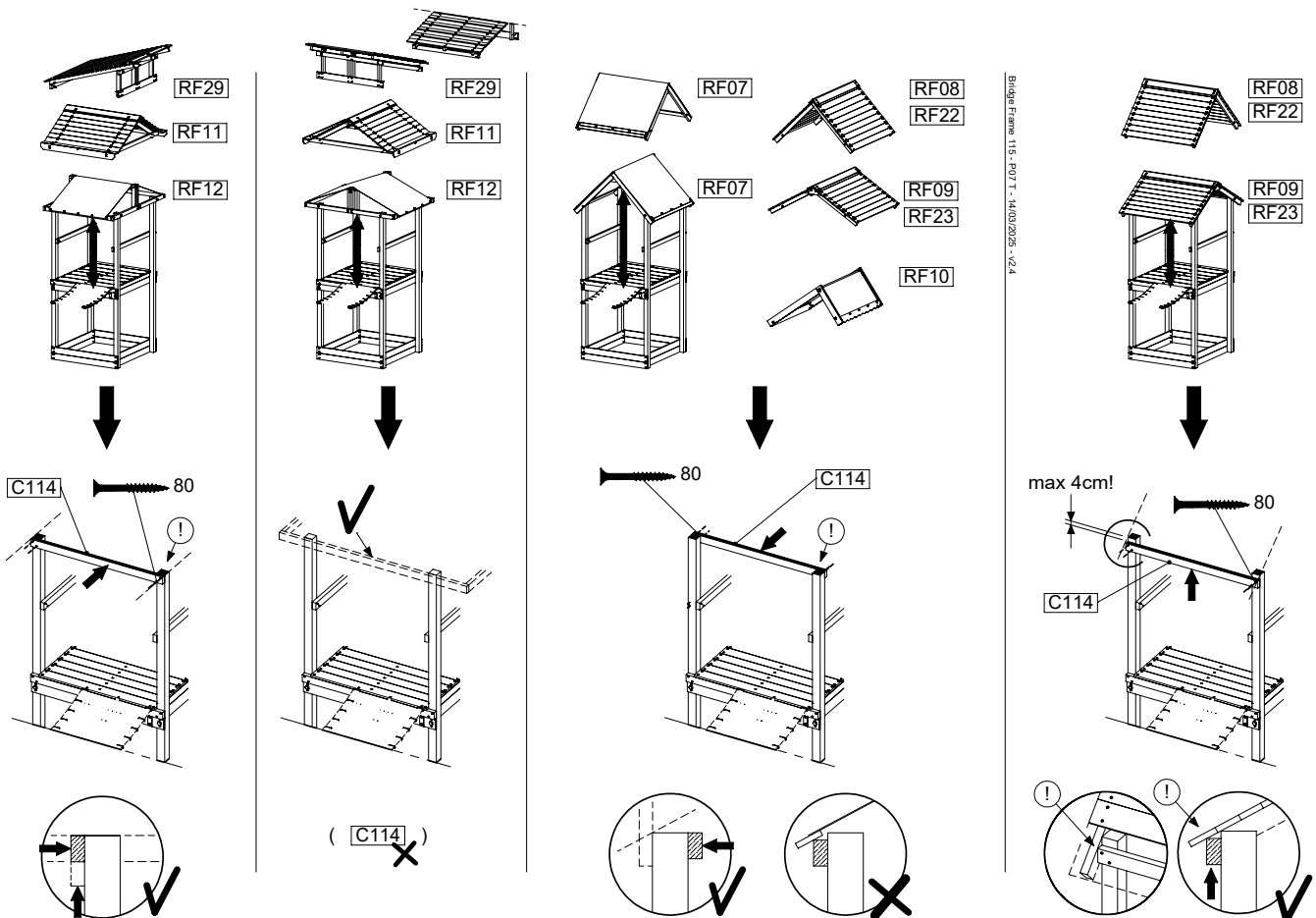
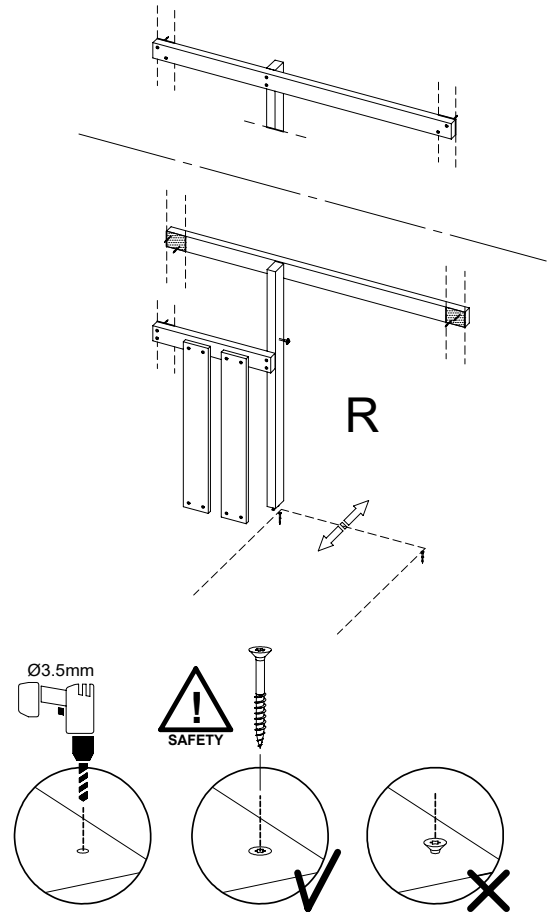


9 BF04a: Bridge Frame 115 T Right

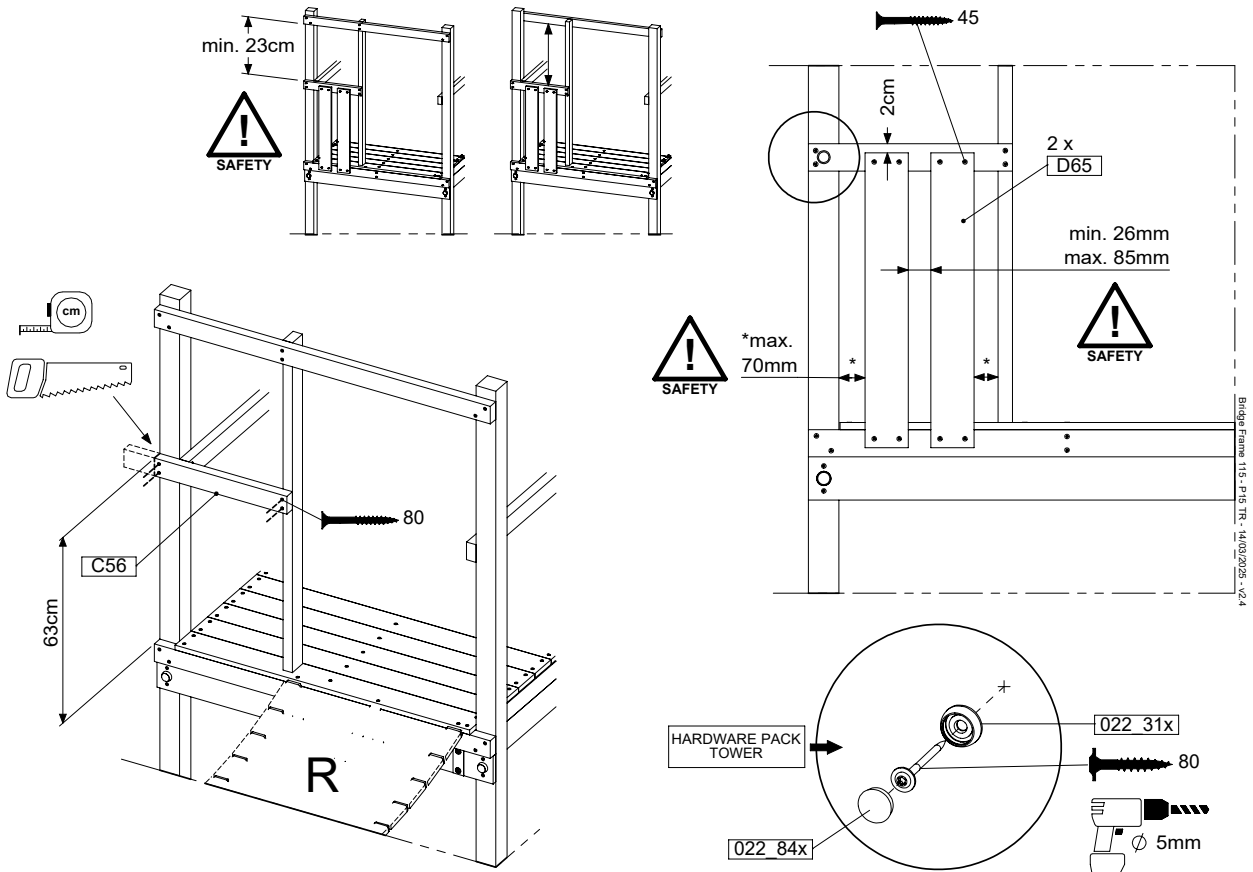
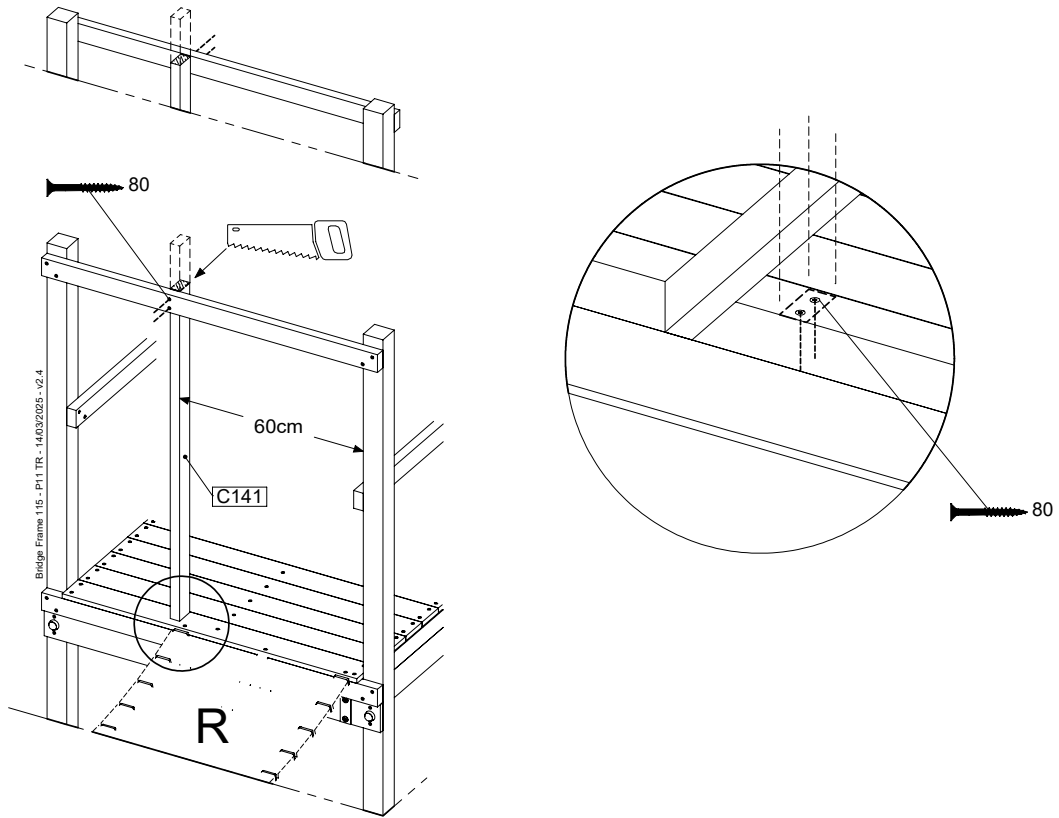
Assembly Pack: 194_007 (a) / 194_802(b)

	PartNo	PartName	QTY.
Hardware + Parts	001_411	Stealth Screw 8x60	1
	002_220	Gap Point Screw T25 - 5x45	10
	002_223	Gap Point Screw T25 - 5x80	12
Timber	C56	Beam 560 mm	1
	C114	Beam 1140 mm	1
	C141	Beam 1410 mm	1
	D65	Board 650 mm	2

Bridge Frame 115 - P05 TR - 14/03/2025 - v2.4



Bridge Frame 115 - P07 L - 14/03/2025 - v2.4

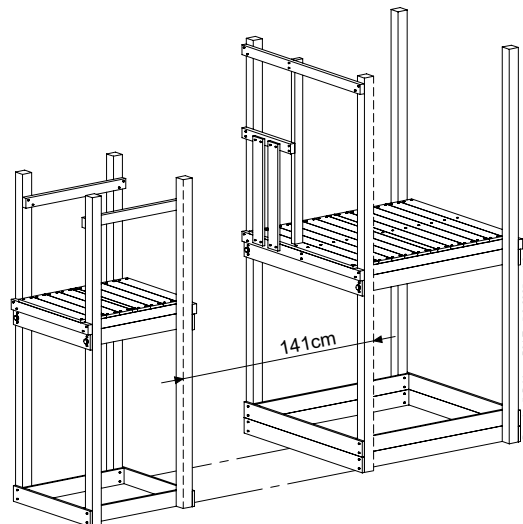
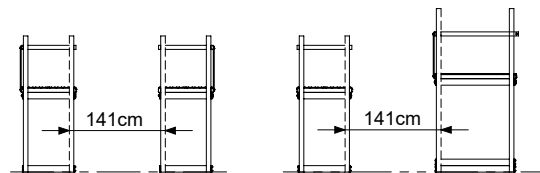
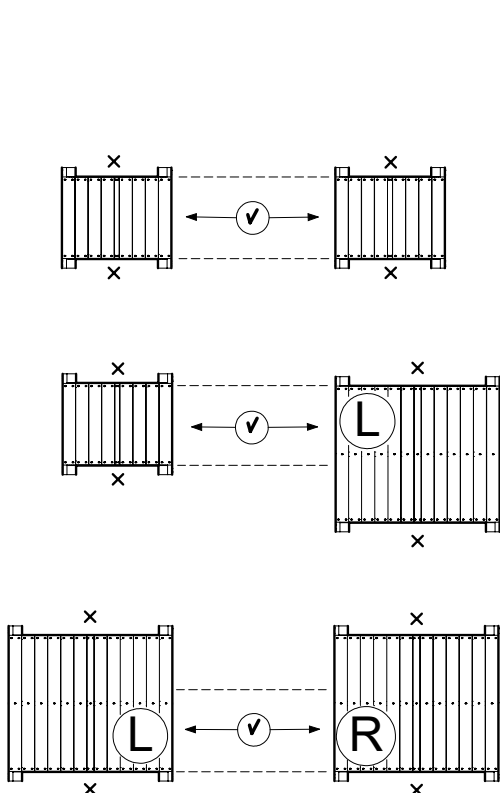
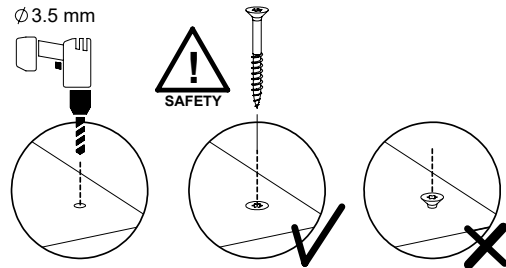
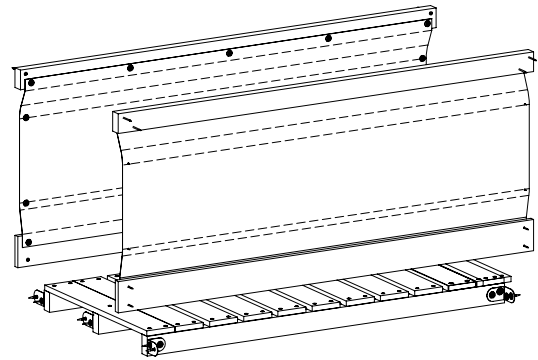


10 BB02a: Boardwalk Bridge T

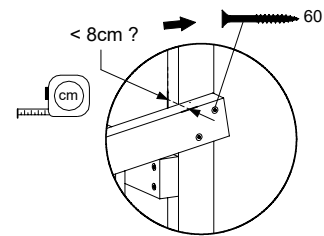
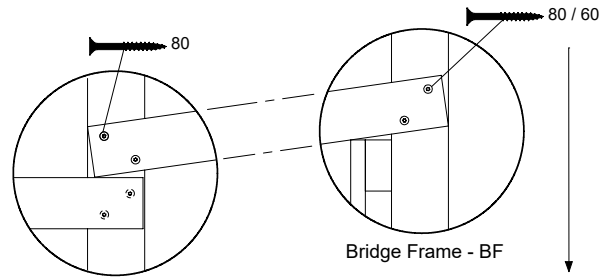
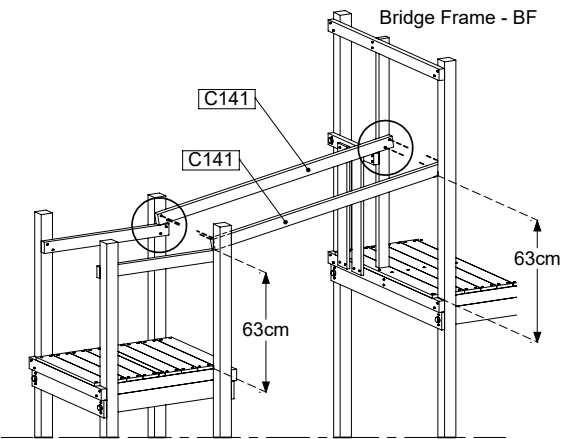
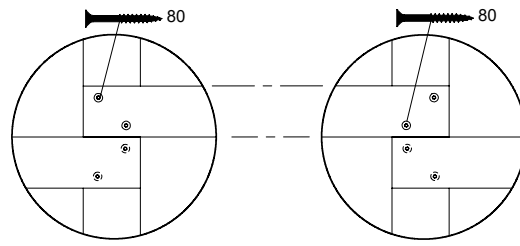
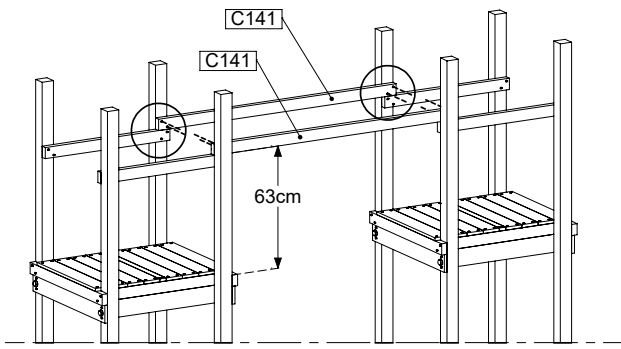
Assembly Pack: 194_812

	PartNo	PartName	QTY.
Hardware + Parts	001_404	Stealth Screw 8x30	12
	001_411	Stealth Screw 8x60	2
	001_417	Stealth Screw 8x80	4
	002_219	Gap Point Screw T25 - 5x30	12
	002_220	Gap Point Screw T25 - 5x45	73
	002_222	Gap Point Screw T25 - 5x60	4
	002_223	Gap Point Screw T25 - 5x80	8
	002_308	Gap Point Screw T25 - 5x20	28
	023_031	Finishing Washer GPS 5.0	28
	005_522	Connection Bracket Mini Market	6
	021_512	Mesh green 1.20 x 1.85m	1
Timber	C141	Beam 1410 mm	5
	D60	Board 600 mm	13
	D141	Board 1410 mm	2

Boardwalk Bridge - P02 Unit - 5-6-2025 - v1.2

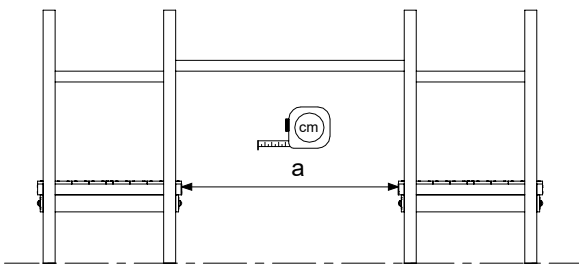


Boardwalk Bridge - P04 T - 5-6-2025 - v1.2

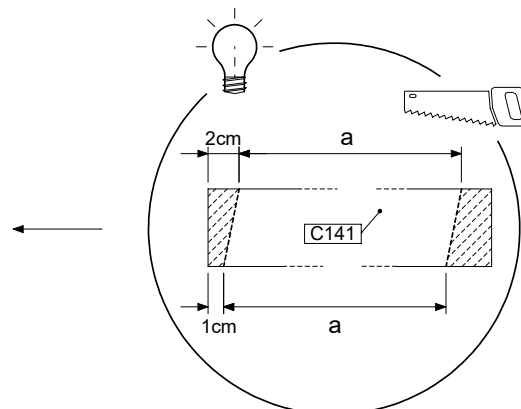
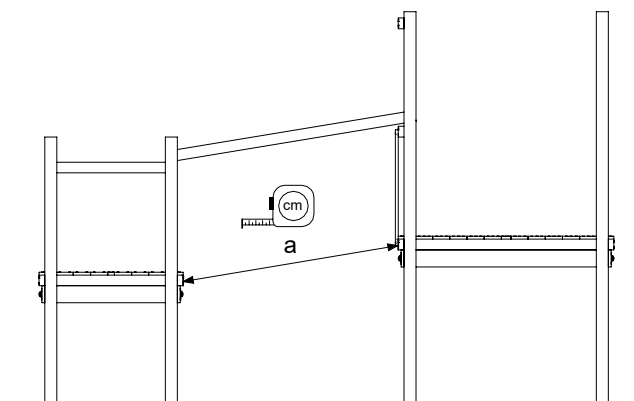
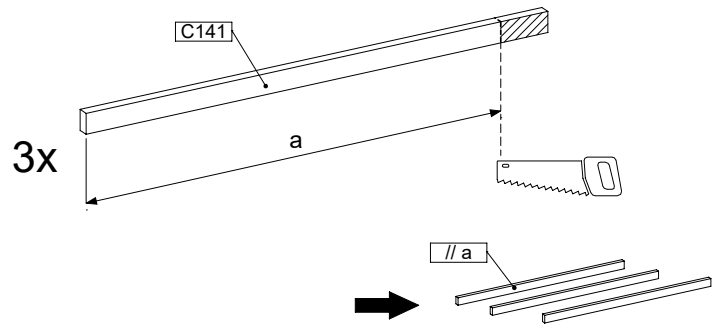


Boardwalk Bridge - P08 T - 5-6-2025 - v1.2

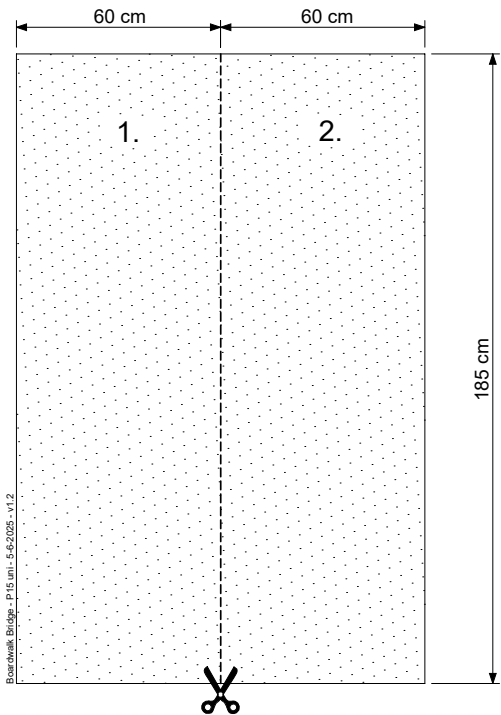
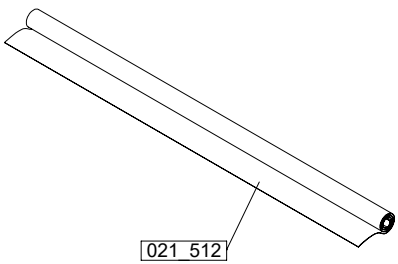
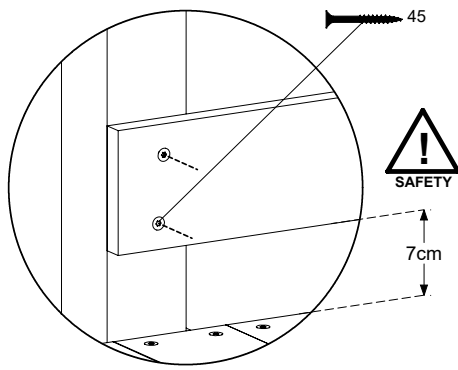
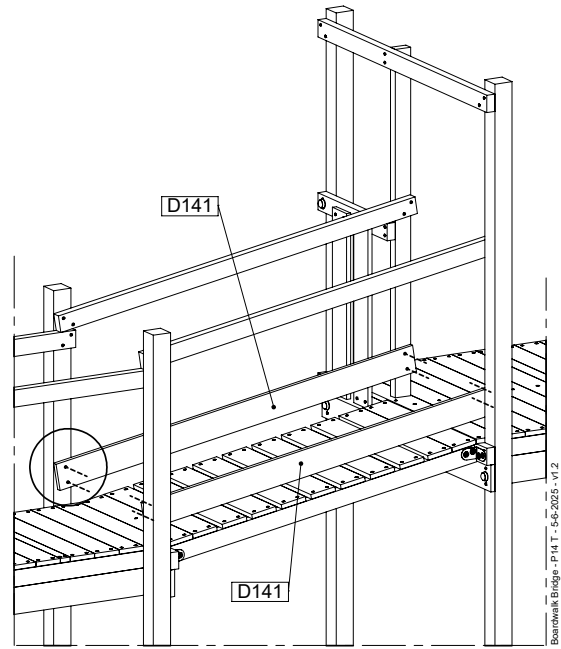
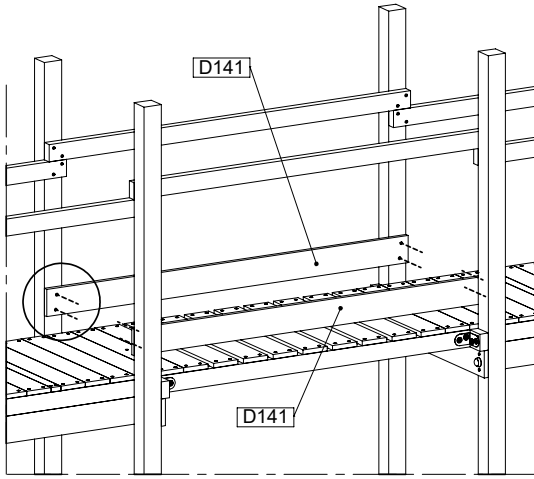
Manual ID: 048_071_2613



Boardwalk Bridge - P09 T - 5-6-2025 - v1.2

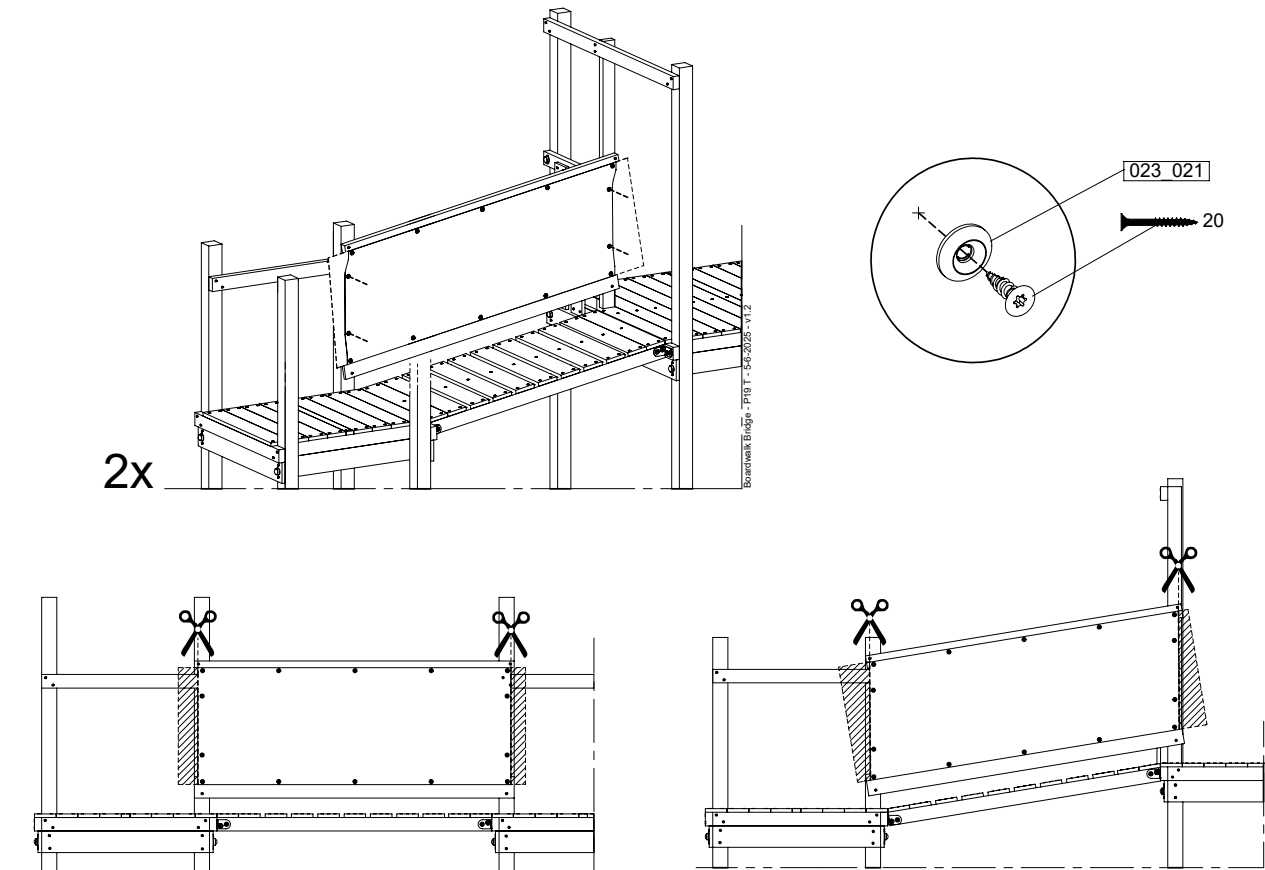
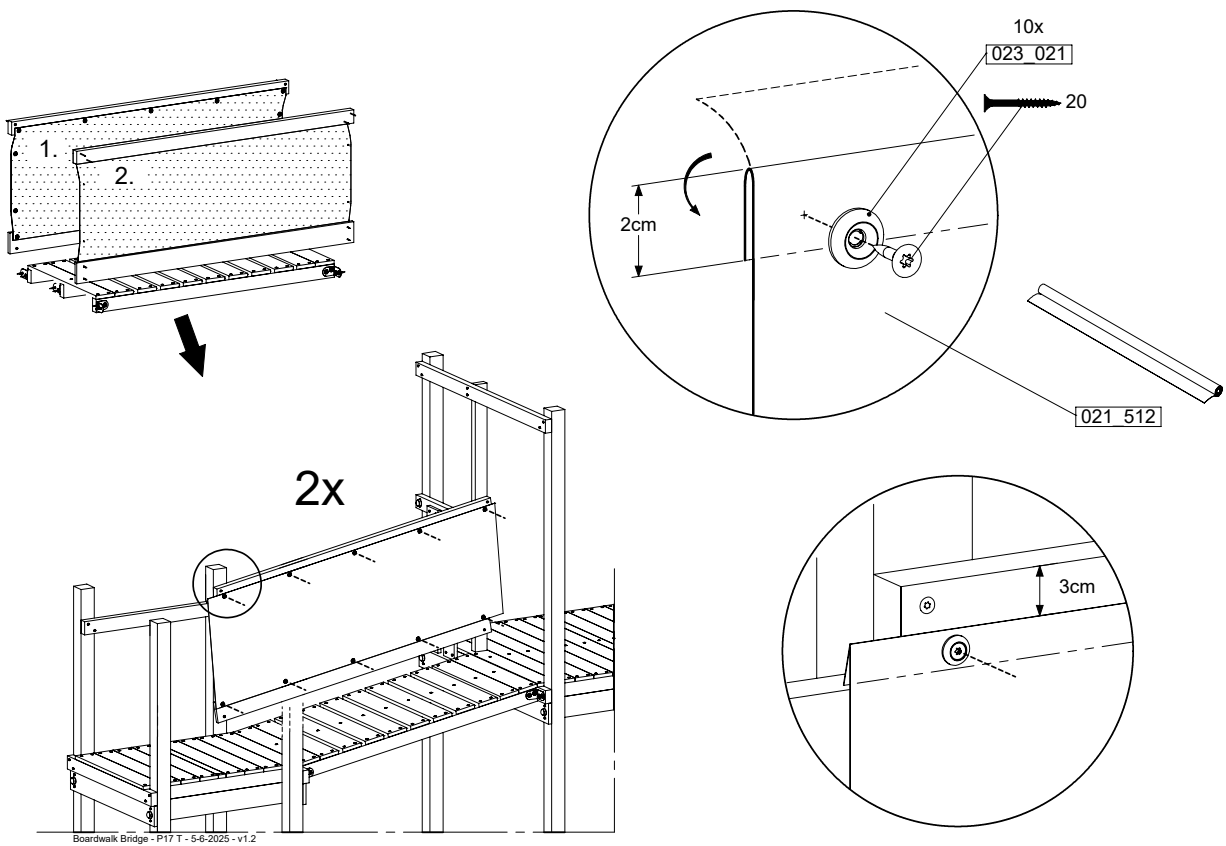


10.3



(Mesh Green sheet 120 x 185 cm)

10.4

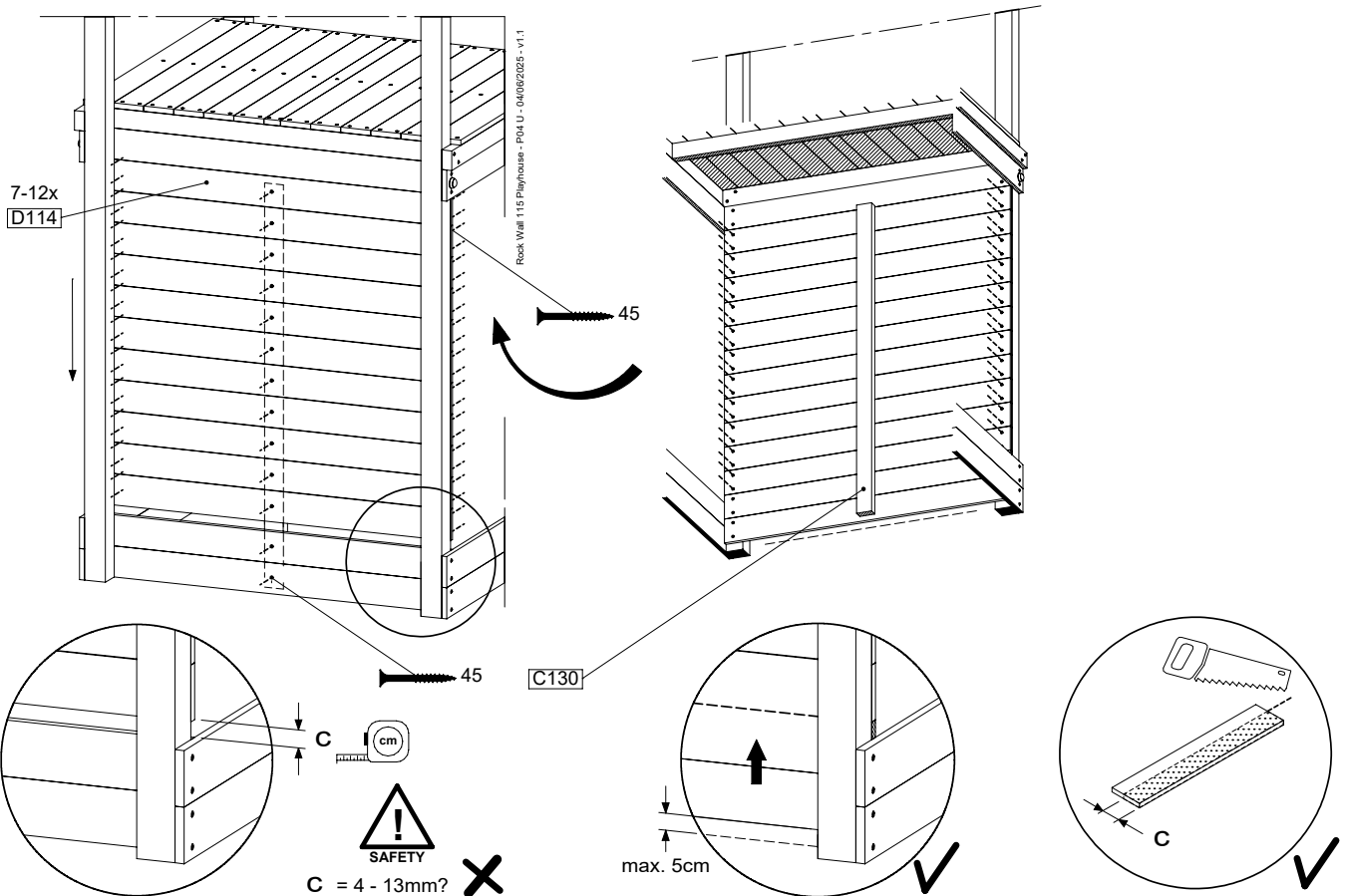
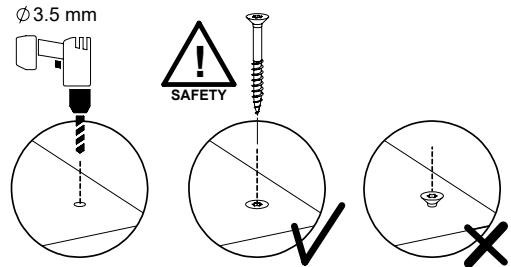
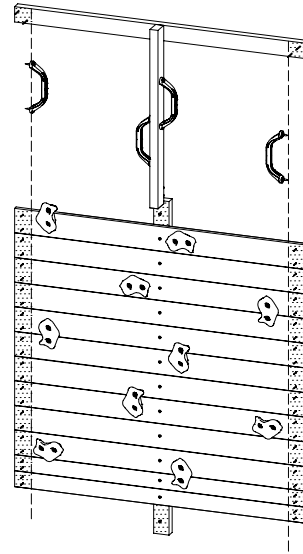


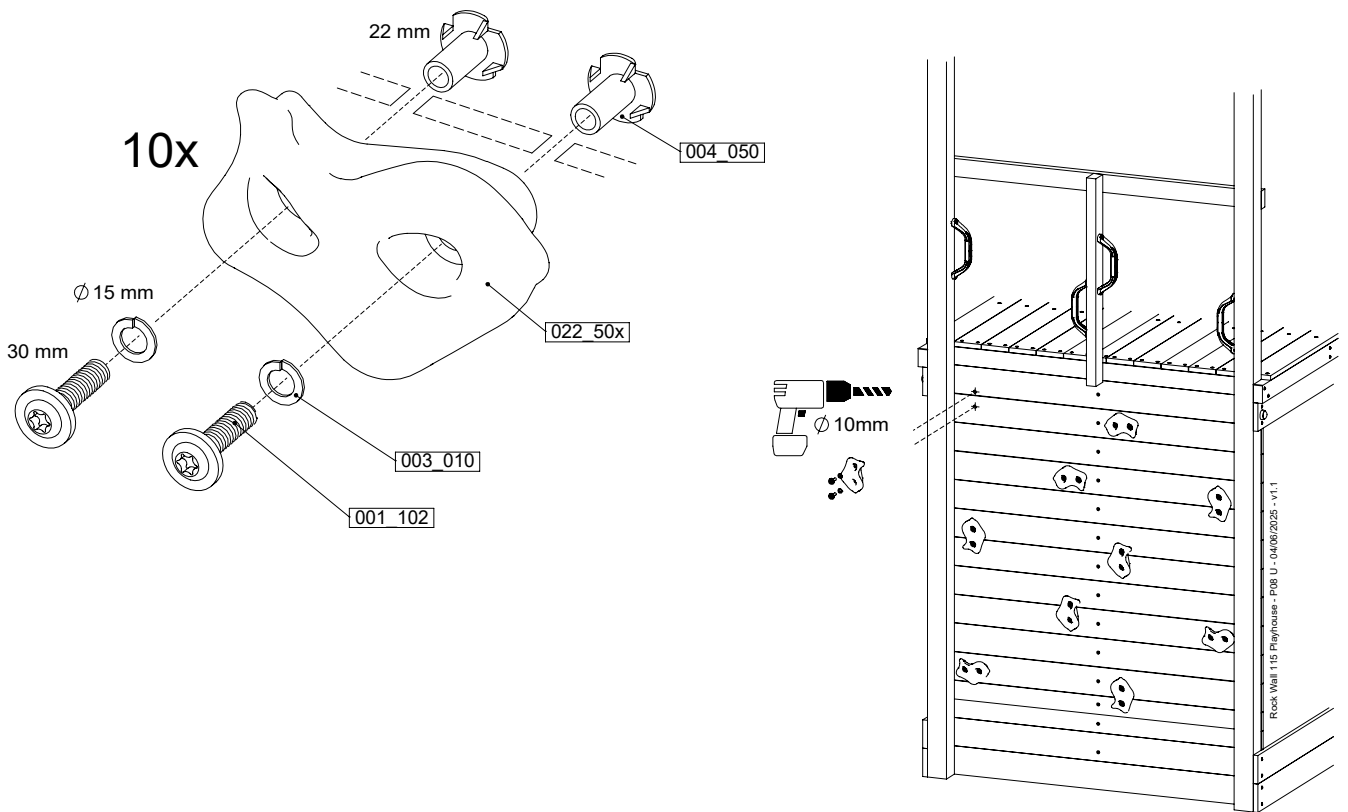
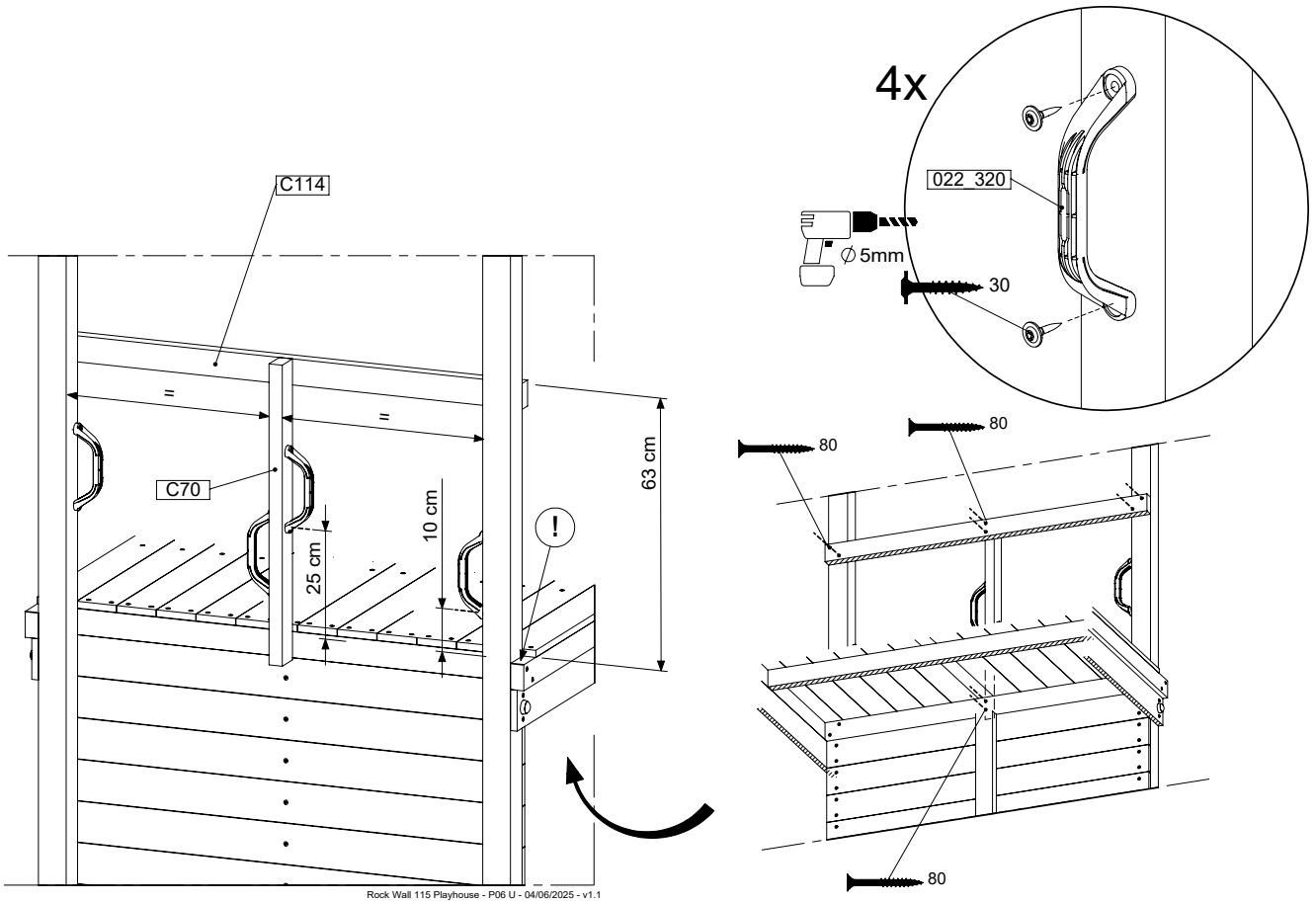
11 RW40a: Rock wall 115 Playhouse U

Assembly Packs: 194_006 (2x)

	PartNo	PartName	QTY.
Hardware + Parts	001_102	Washer Head Screw T40 M8x30	20
	002_220	Gap Point Screw T25 - 5x45	62
	002_223	Gap Point Screw T25 - 5x80	8
	003_010	M8 spring lock washer	20
	004_050	M8 Drive-in Nut 22mm	20
	022_50x	Climbing Rock	10
	120_102	Handgrip set (complete 2x)	2
Timber	C70	Beam 700 mm	1
	C114	Beam 1140 mm	1
	C130	Beam 1300 mm	1
	D114	Board 1140 mm	12

Rock Wall 115 Playhouse - P102 U - 04/09/2025 - v1.1



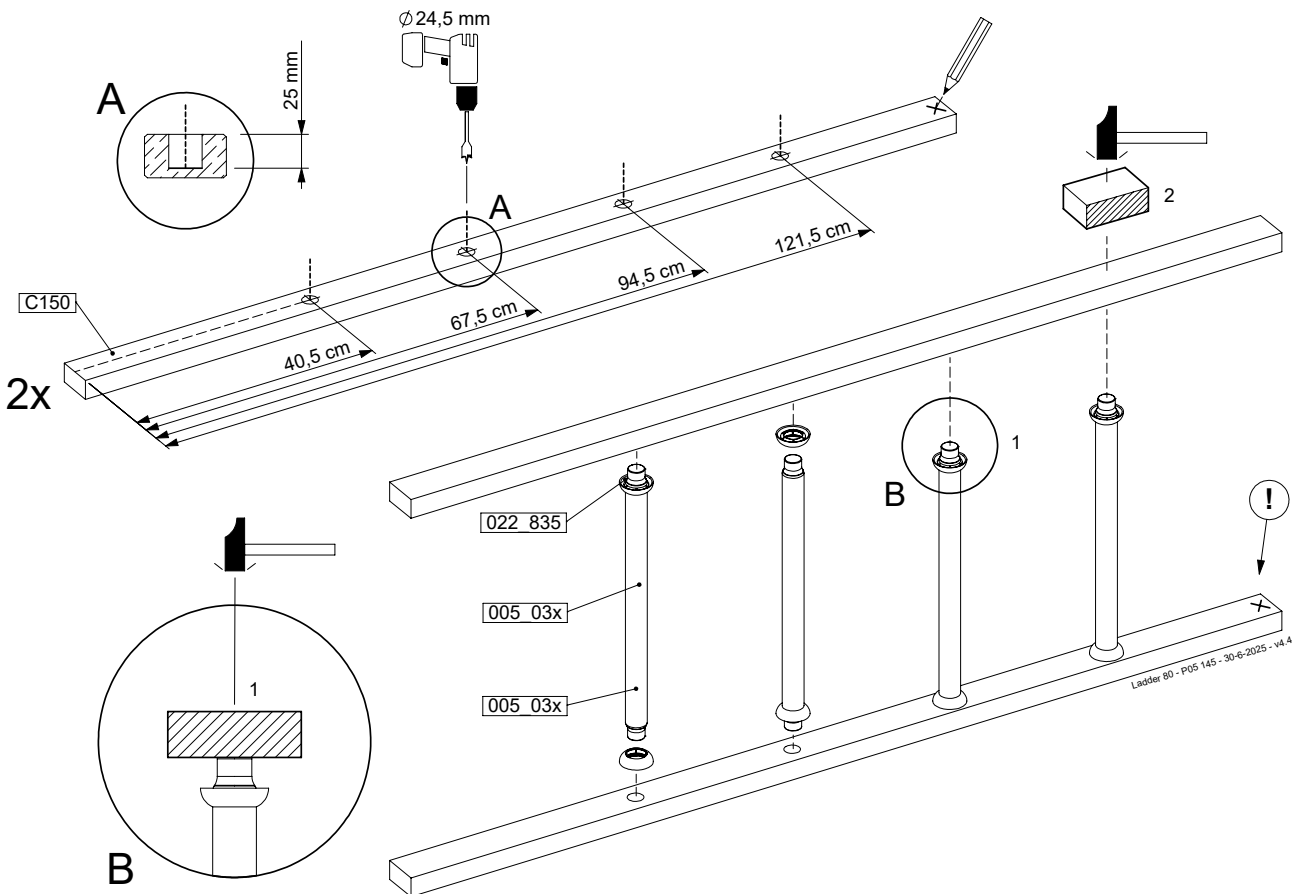
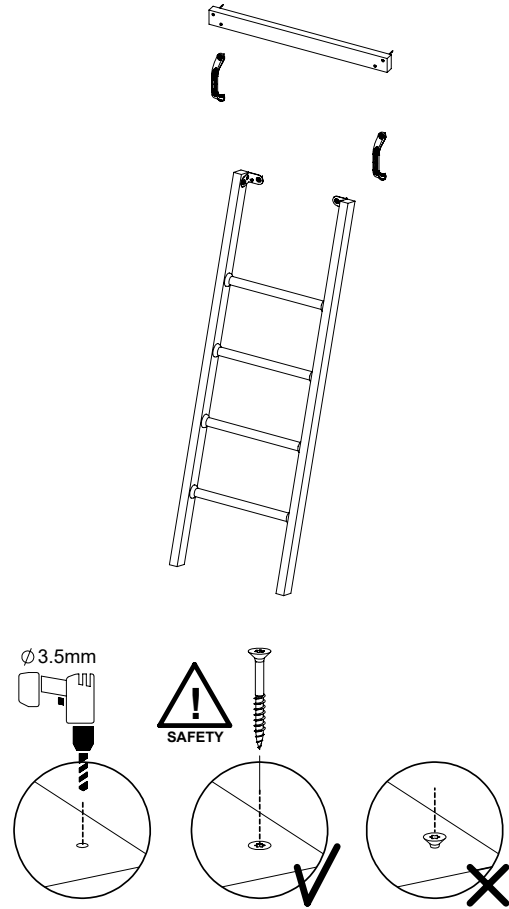


12 LA03a: Ladder 80 145 U

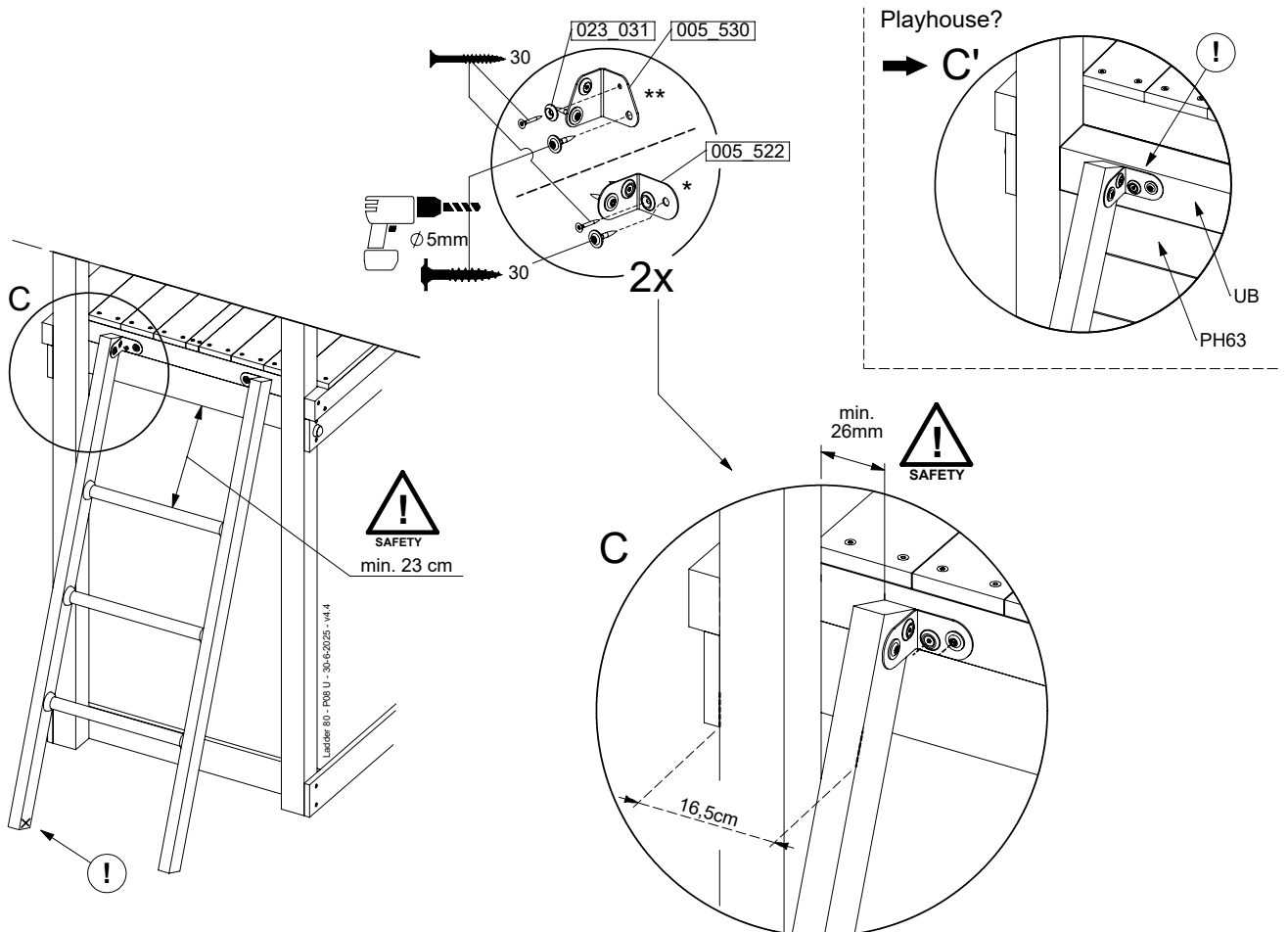
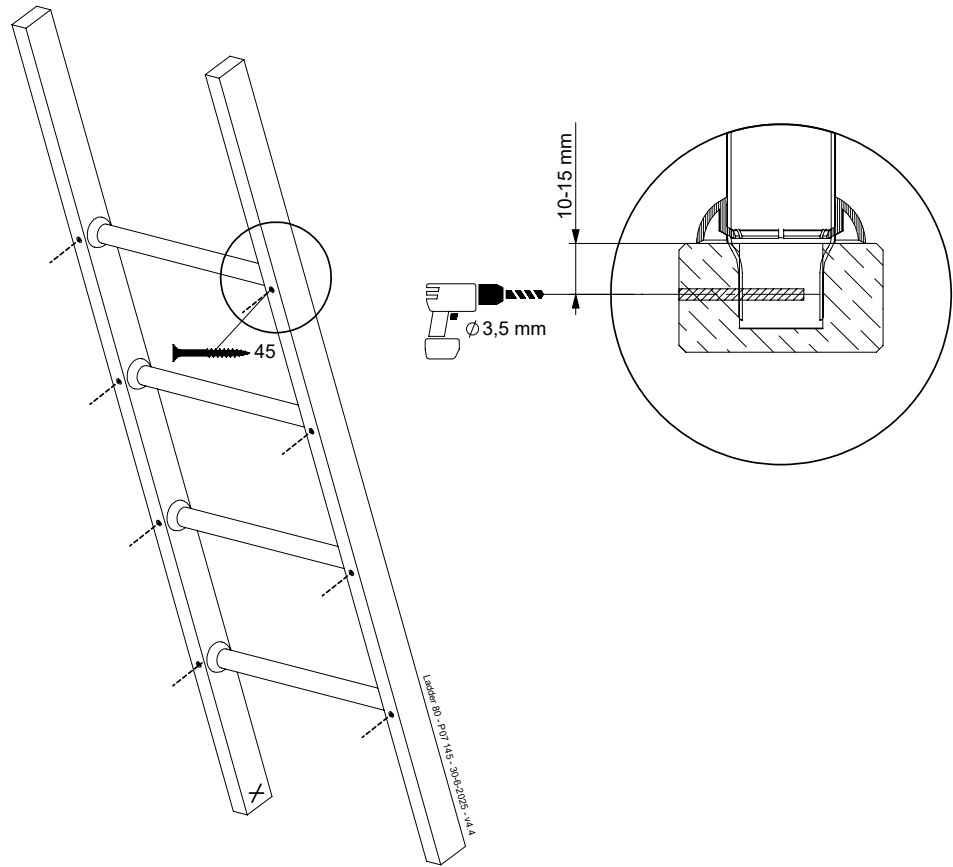
Assembly Pack: 194_103 (LA0xa) / 194_003 (LA0xb)

	PartNo	PartName	QTY.
Hardware + Parts	001_404	Stealth Screw 8x30	4
	002_219	Gap Point Screw T25 - 5x30	4
	002_220	Gap Point Screw T25 - 5x45	8
	002_223	Gap Point Screw T25 - 5x80	4
	005_03x	Ladder Rung Y/B/G/R	4
	005_522* /	Connection Bracket Mini Market * /	2
	005_530**	Connection Bracket Ladder ** + 2x 023_031 Finishing Washer GPS 5.0	
		022_835	Rung Cap
Timber	C74	Beam 740 mm	1
	C150	Beam 1500 mm	2

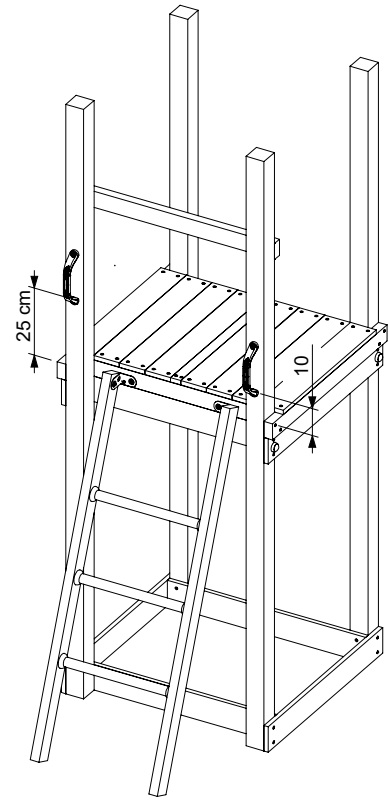
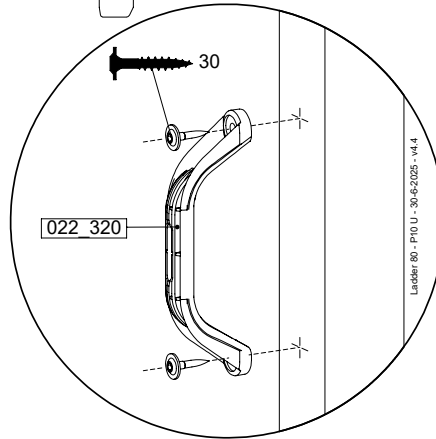
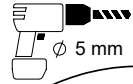
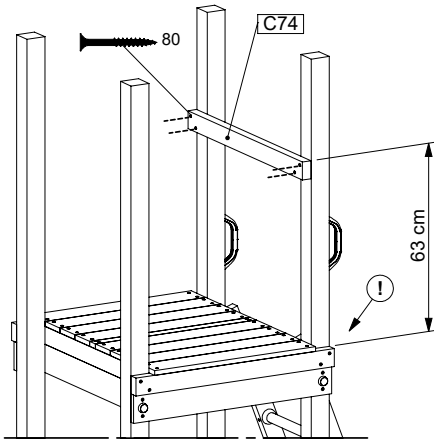
Ladder 80 - P05 145 - 30-6-2025 - v4.4



Manual ID: 048_071_2613



12.2

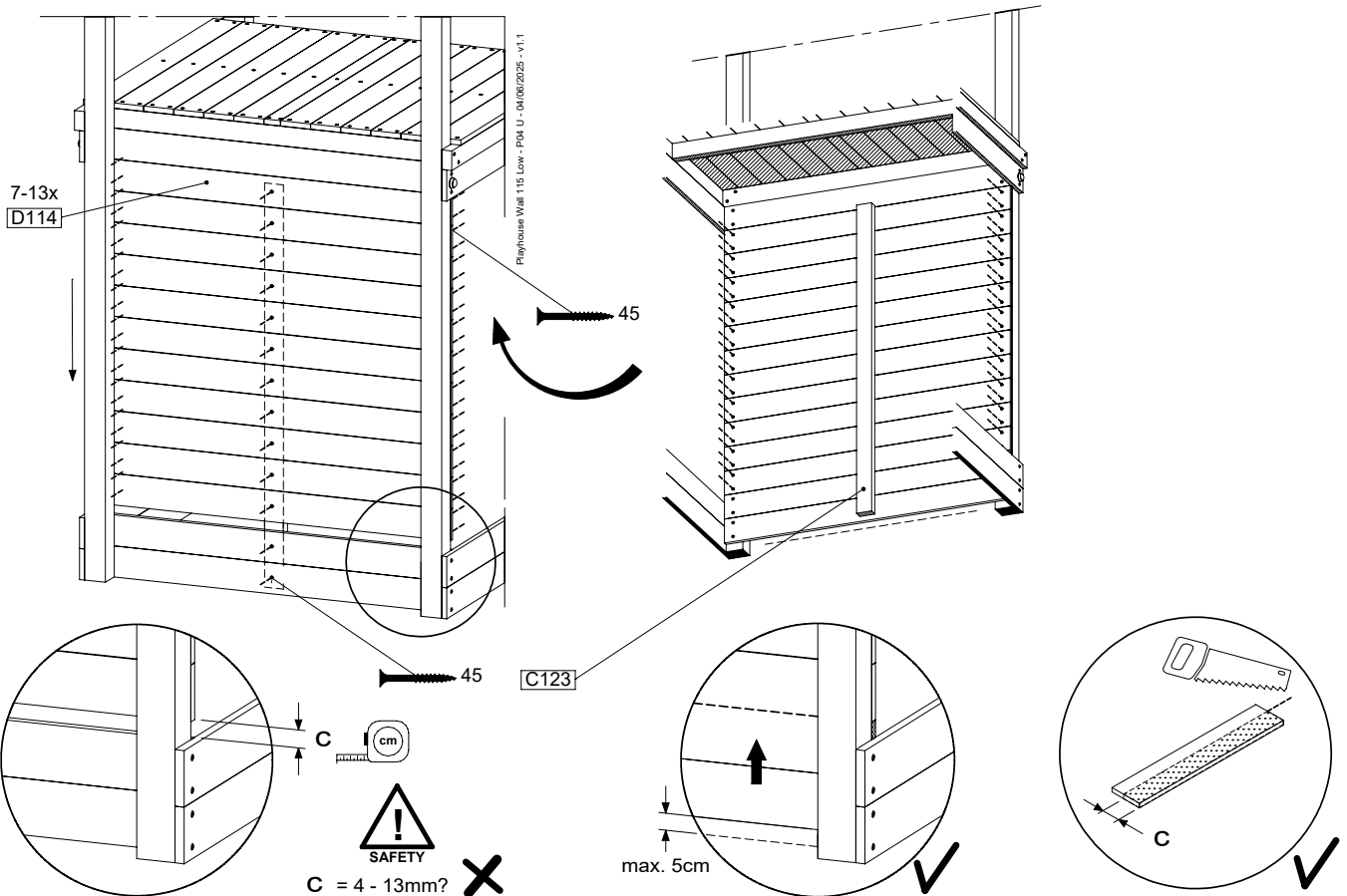
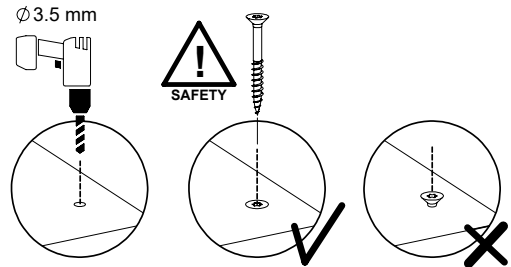
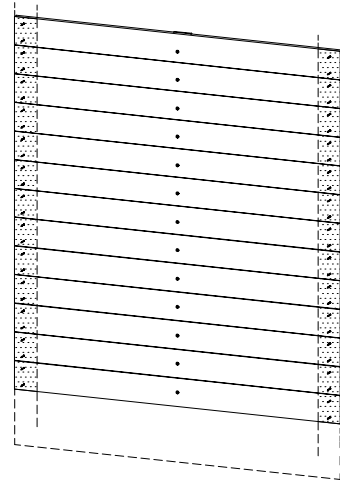


13 PH40a: Playhouse Wall 115 U Low

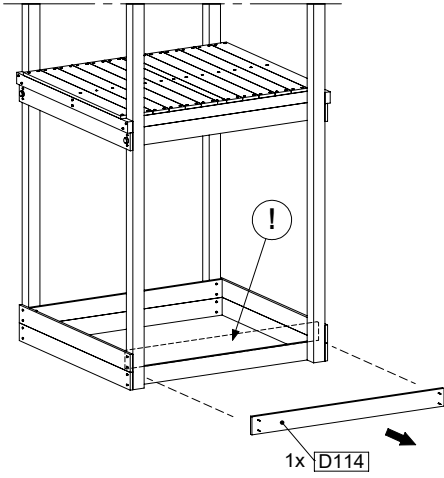
Assembly Pack: 194_809

	PartNo	PartName	QTY.
Hardware Pack	002_220	Gap Point Screw T25 - 5x45	70
Timber	C123	Beam 1230 mm	1
	D114	Board 1140 mm	14

Playhouse Wall 115 Low - P02 U - 04/06/2025 - v1.1



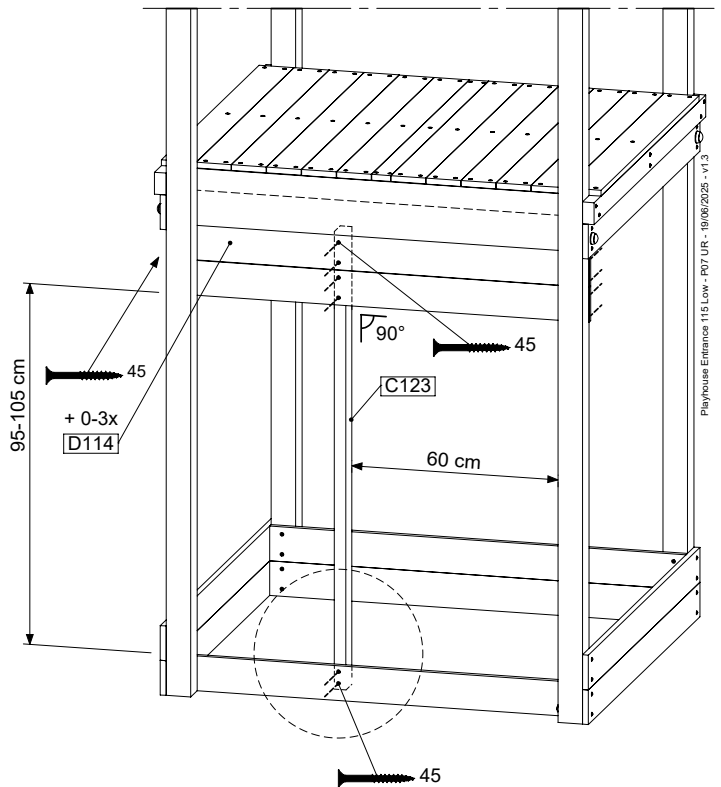
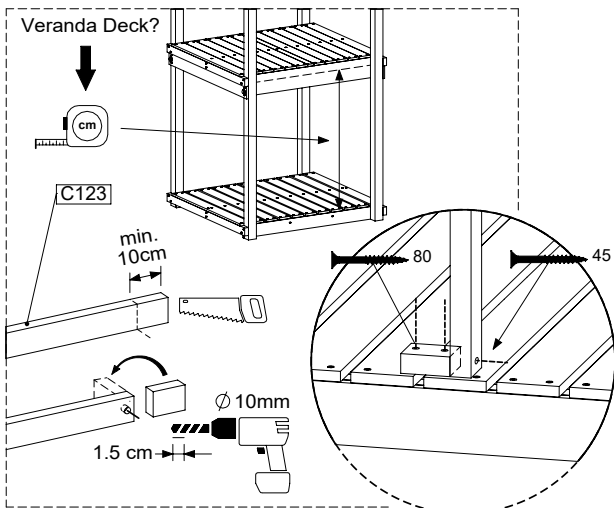
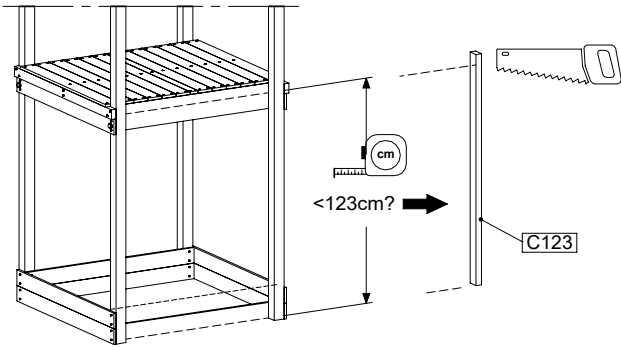
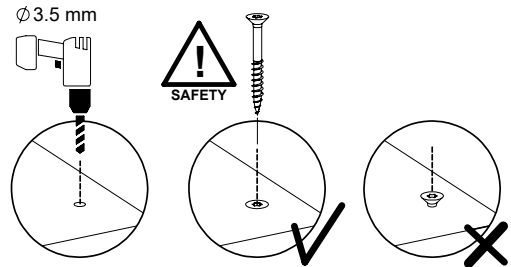
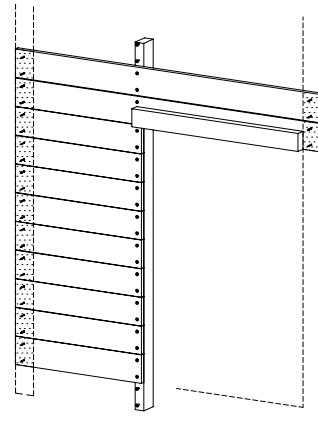
14 PH43a: Playhouse Entrance 115 UR Low



Assembly Pack: 194_809

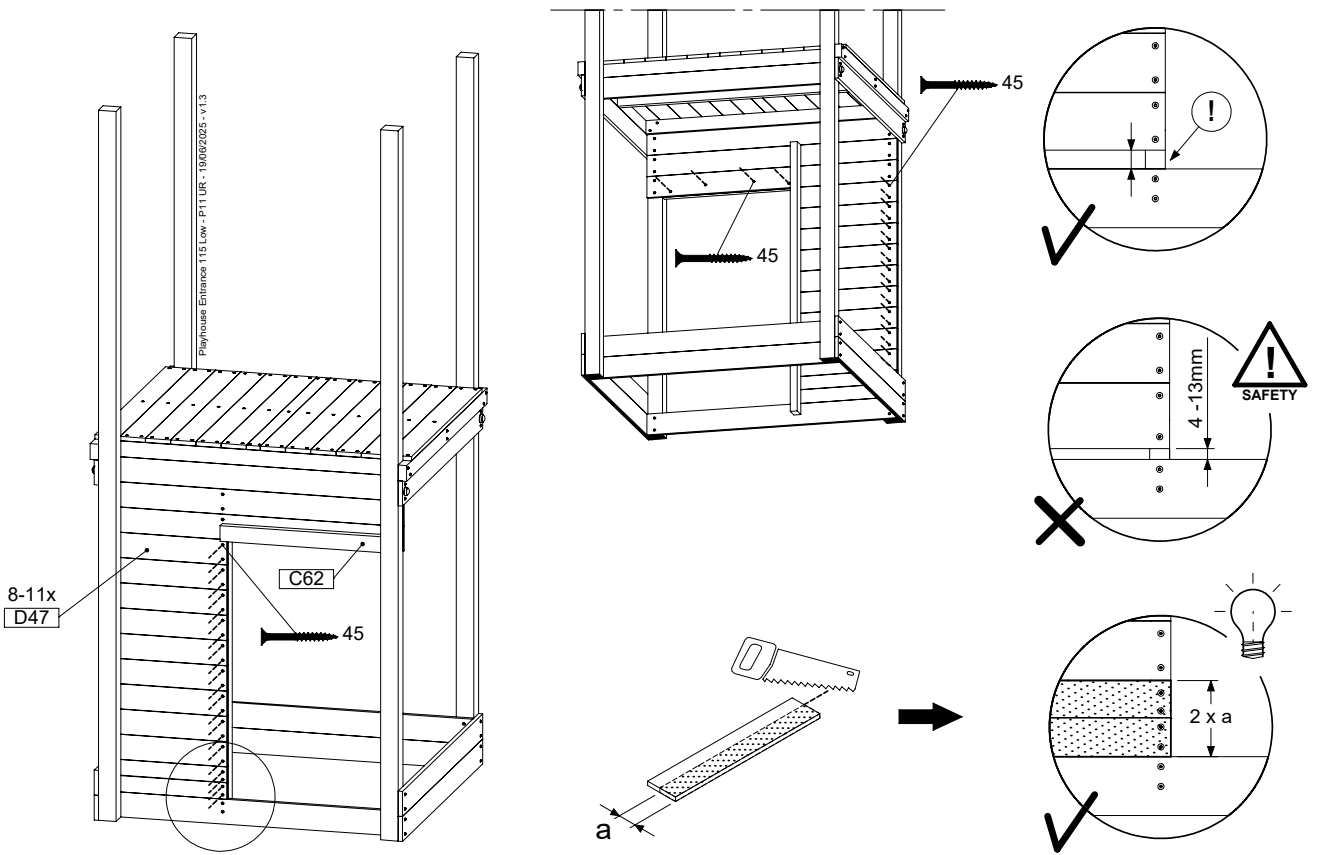
	PartNo	PartName	QTY.
Hardware Pack	002_220	Gap Point Screw T25 - 5x45	66
Timber	C62	Beam 620 mm	1
	C123	Beam 1230 mm	1
	D47	Board 470 mm	11
	D114	Board 1140 mm	3

Playhouse Entrance 115 Low - P03 UR - 18/06/2025 - v1.3



Playhouse Entrance 115 Low - P07 UR - 18/06/2025 - v1.3

14.1

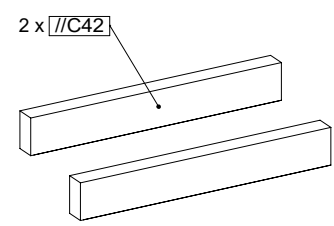
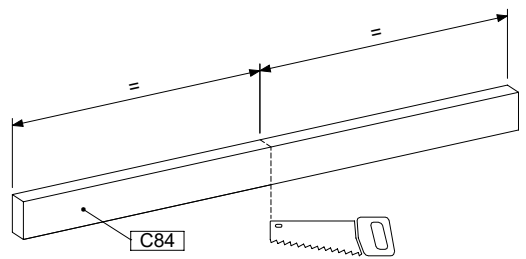
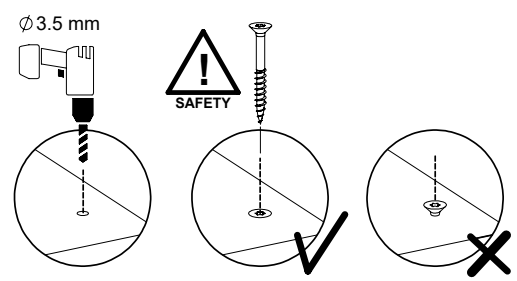
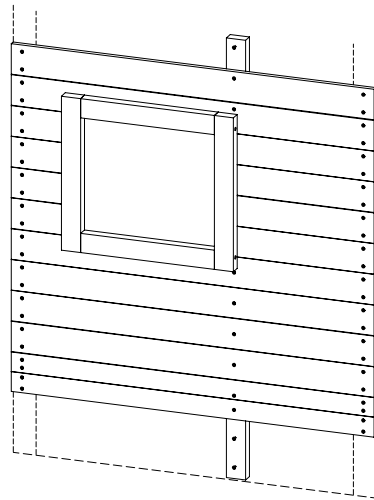


15 PH48b: Playhouse Window 115 TL Low

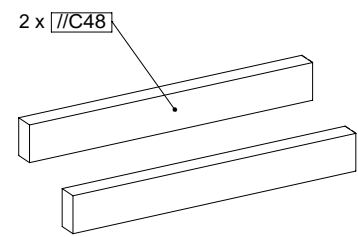
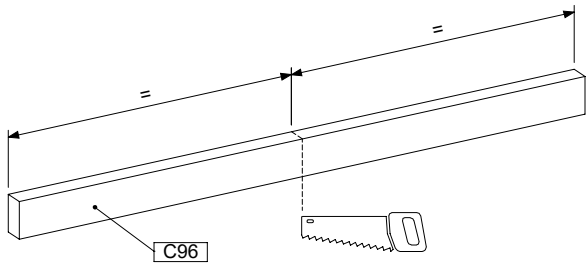
Assembly Pack: 194_508 / 194_804

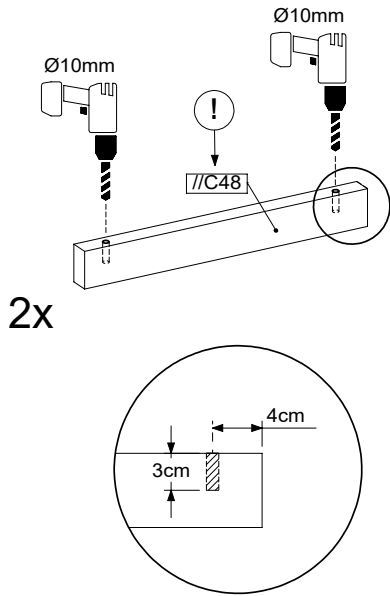
	PartNo	PartName	QTY.
Hardware Pack	002_220	Gap Point Screw T25 - 5x45	90
	002_223	Gap Point Screw T25 - 5x80	4
Timber	C84	Beam 840 mm	1
	C96	Beam 960 mm	2
	D21	Board 210 mm	4
	D47	Board 470 mm	4
	D114	Board 1140 mm	10

Playhouse Window 115 - P04 TL - 22/03/2024 - v1

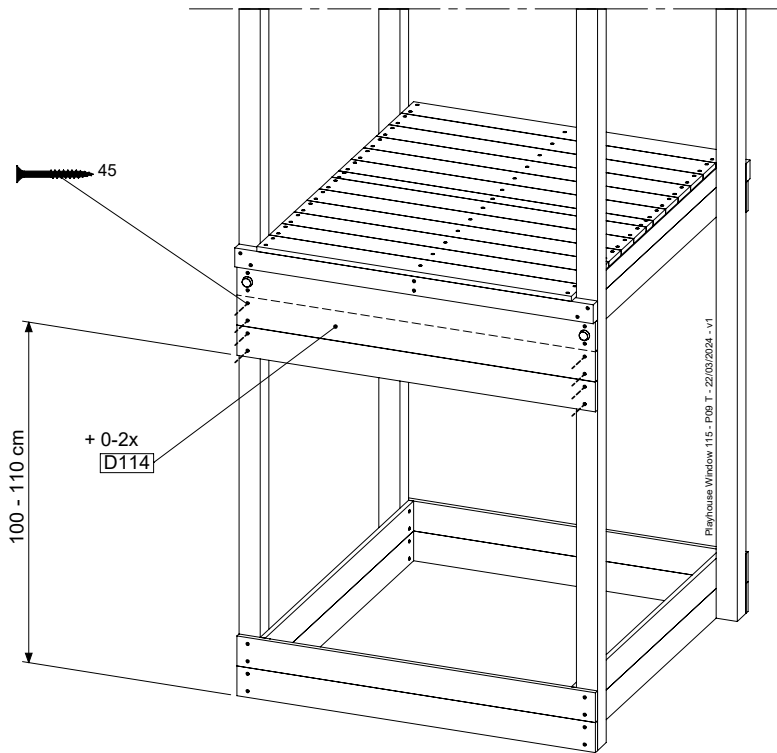
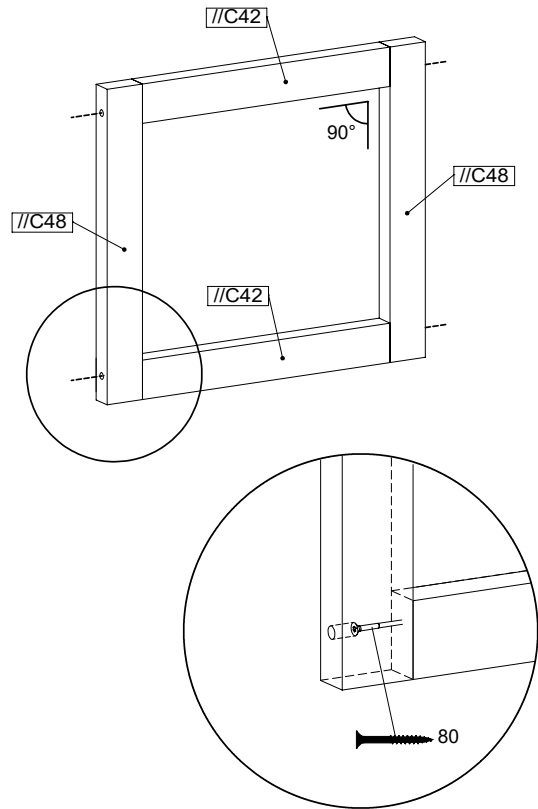


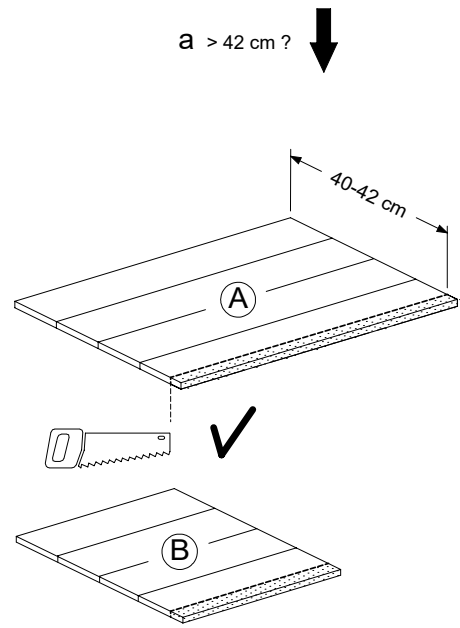
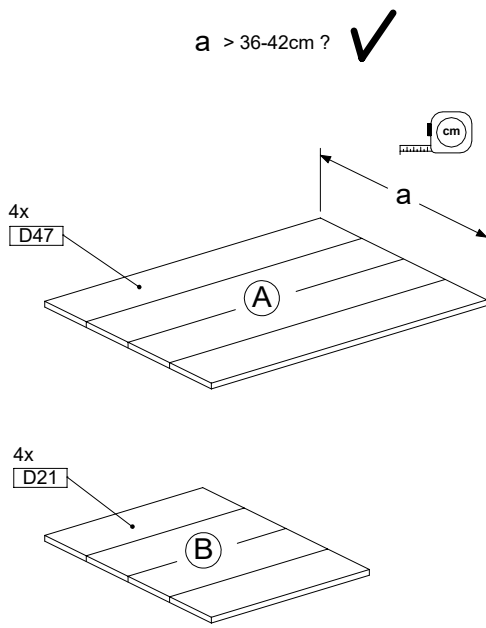
Playhouse Window 115 - P06 uni. - 22/03/2024 - v1



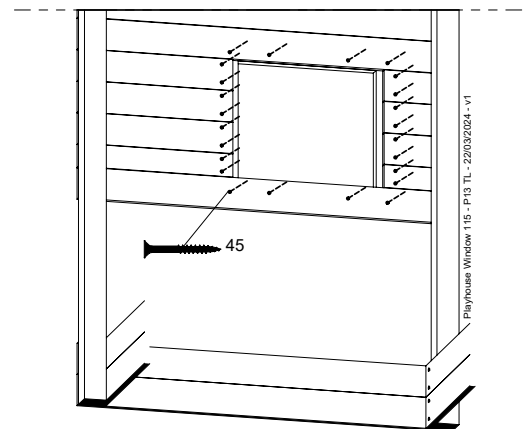
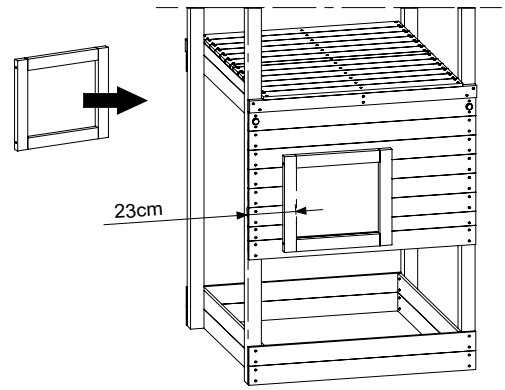
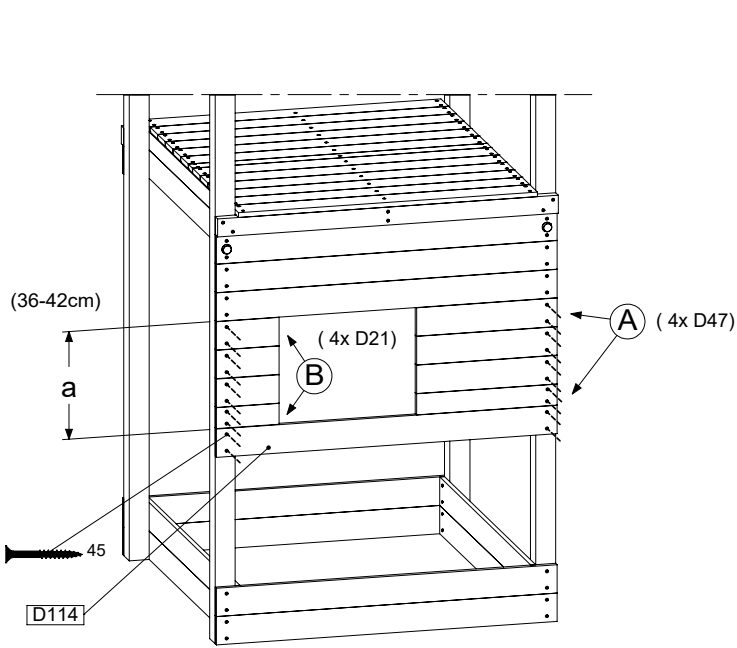


Playhouse Window 115 - P07 uni. - 22/03/2024 - v1



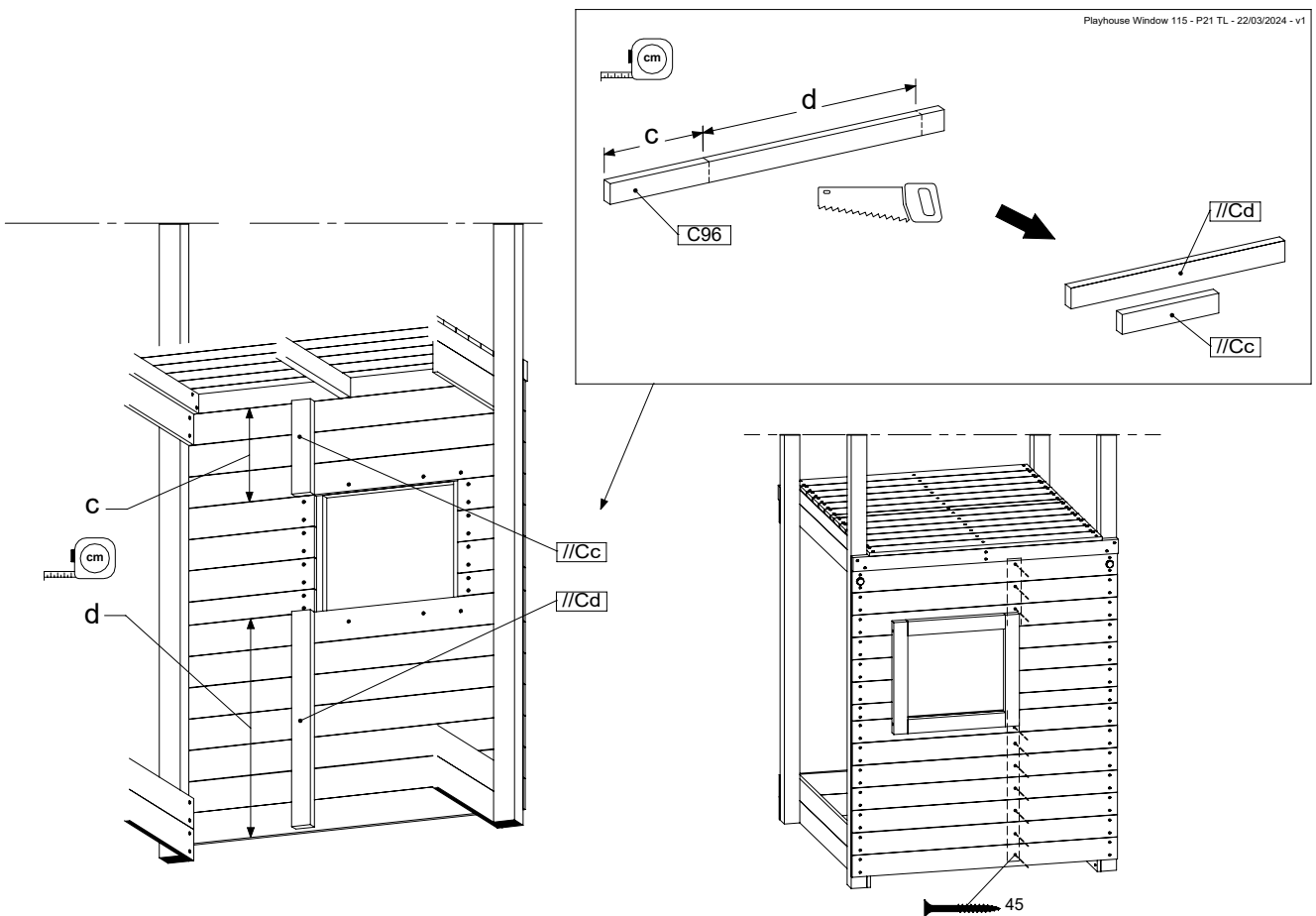
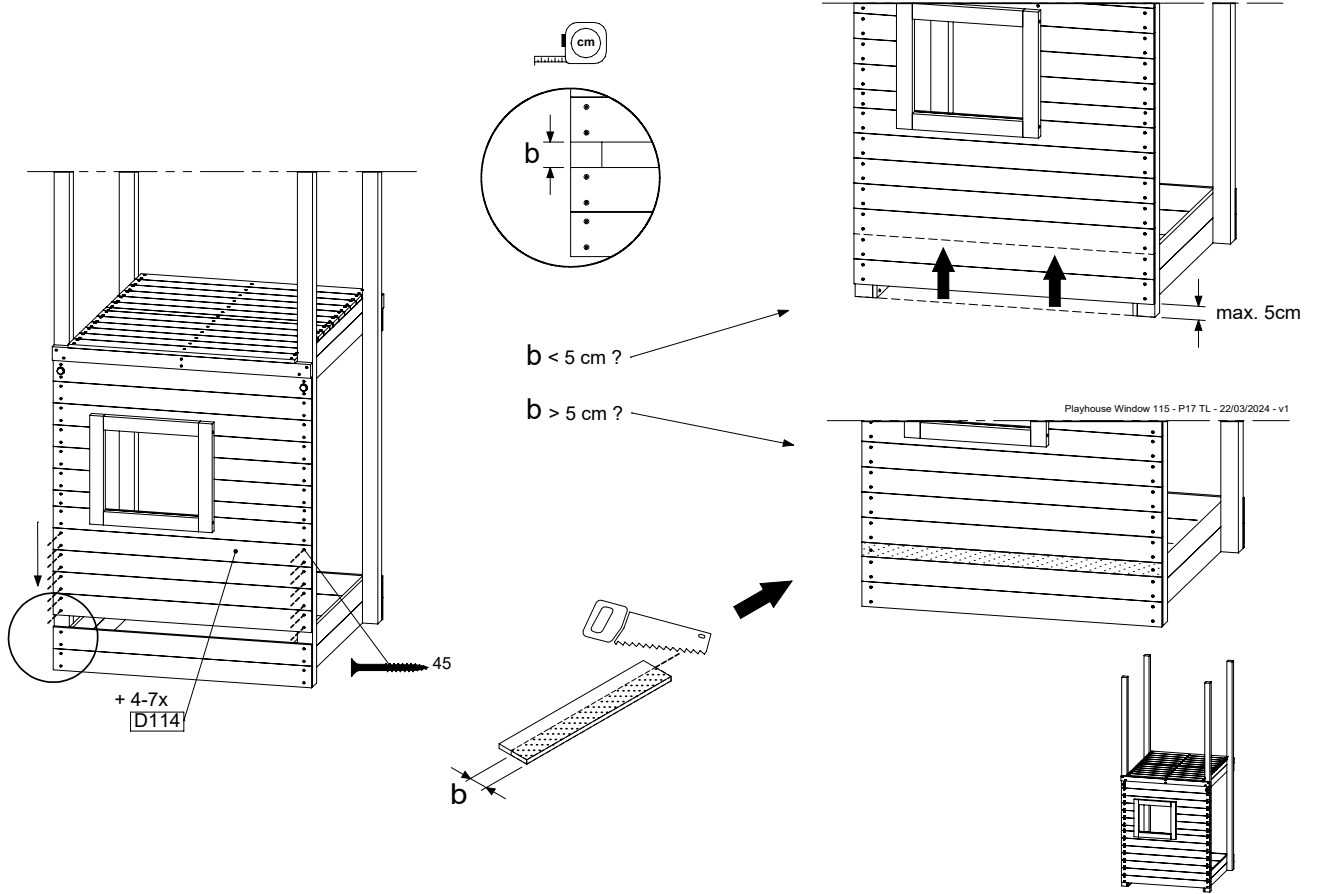


$a = \dots\dots\dots \text{cm}$



PlayHouse Window 115 - P10 ul - 22/03/2024 - v1

PlayHouse Window 115 - P13 TL - 22/03/2024 - v1

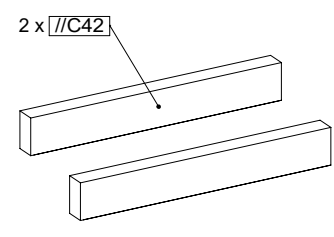
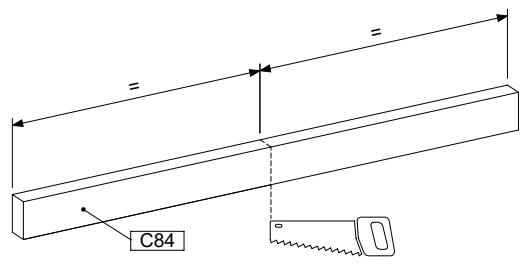
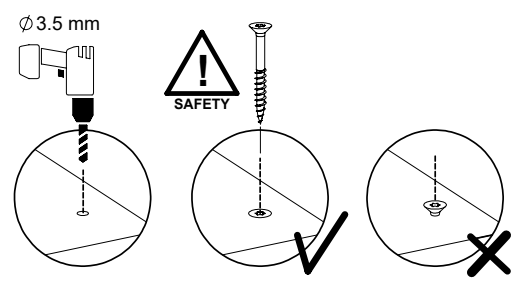
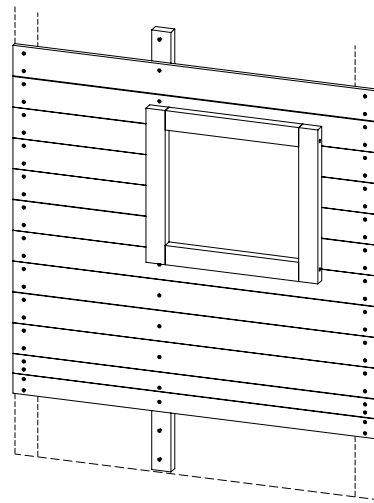


16 PH49b: Playhouse Window 115 TR Low

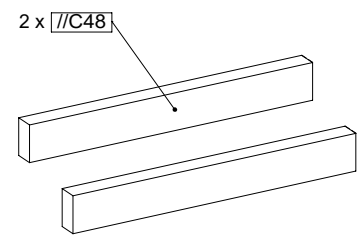
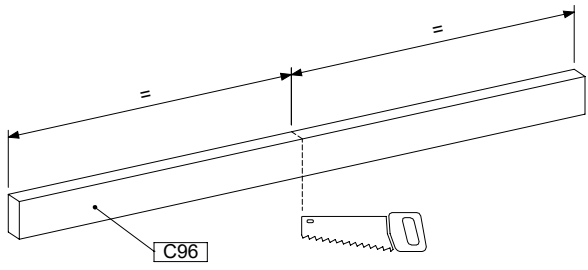
Assembly Pack: 194_508 / 194_804

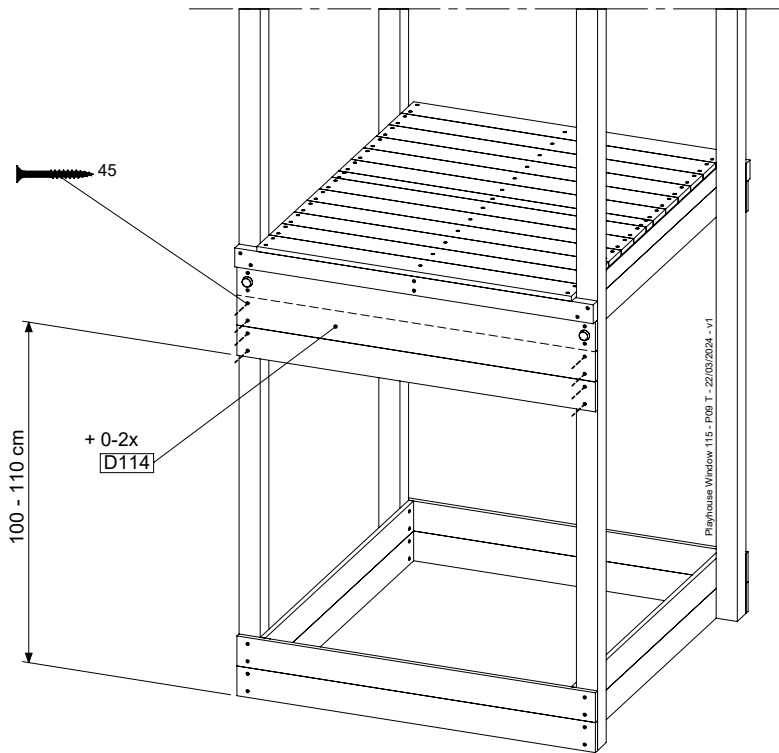
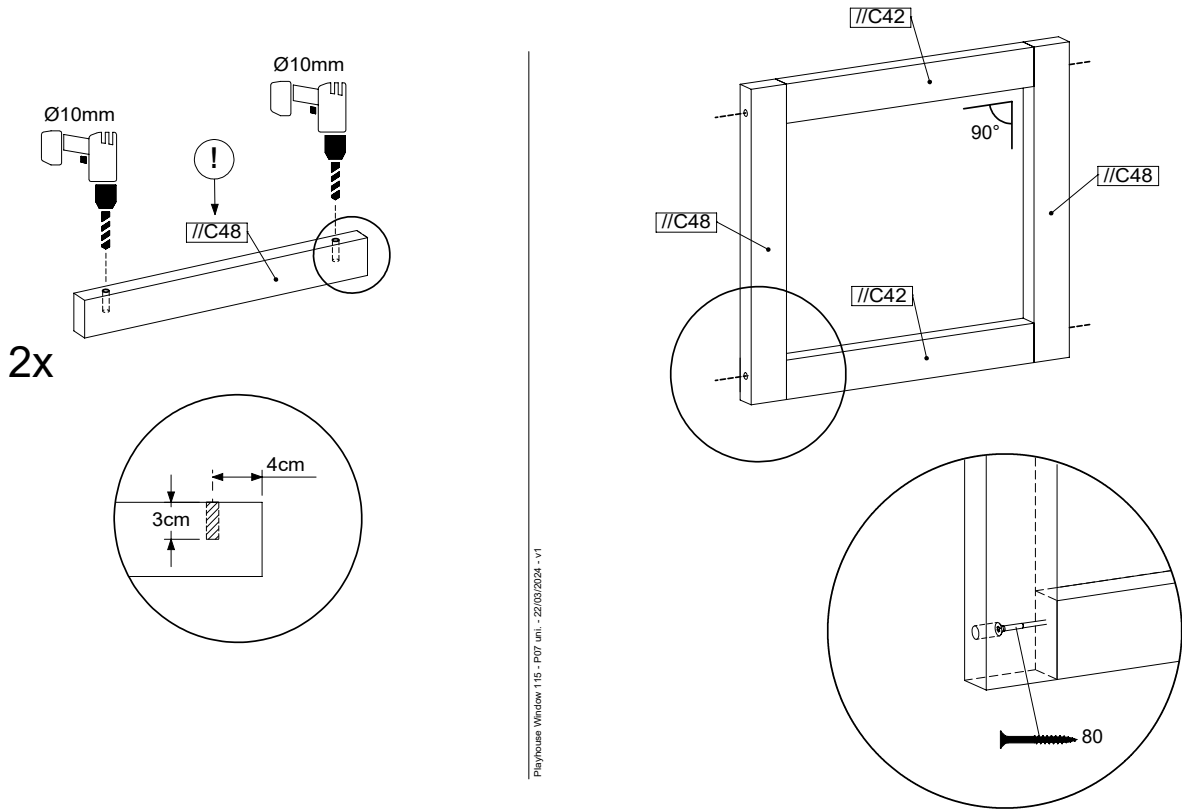
	PartNo	PartName	QTY.
Hardware Pack	002_220	Gap Point Screw T25 - 5x45	90
	002_223	Gap Point Screw T25 - 5x80	4
Timber	C84	Beam 840 mm	1
	C96	Beam 960 mm	2
	D21	Board 210 mm	4
	D47	Board 470 mm	4
	D114	Board 1140 mm	10

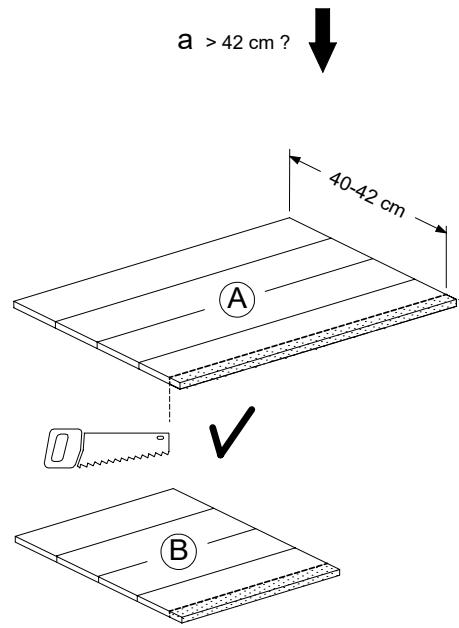
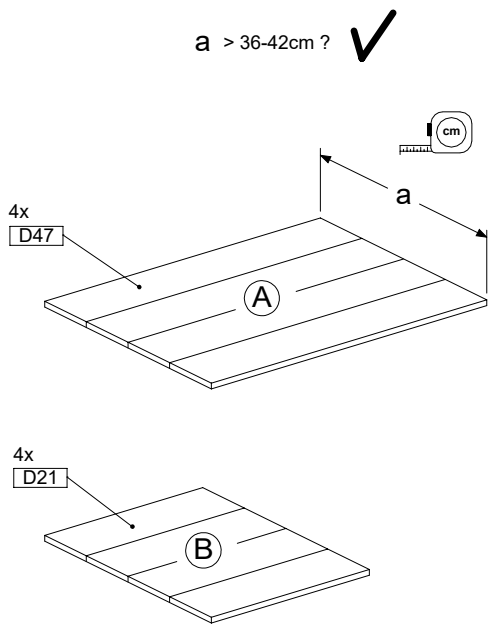
Playhouse Window 115 - P06 TR - 22/03/2024 - v1



Playhouse Window 115 - P06 uni. - 22/03/2024 - v1

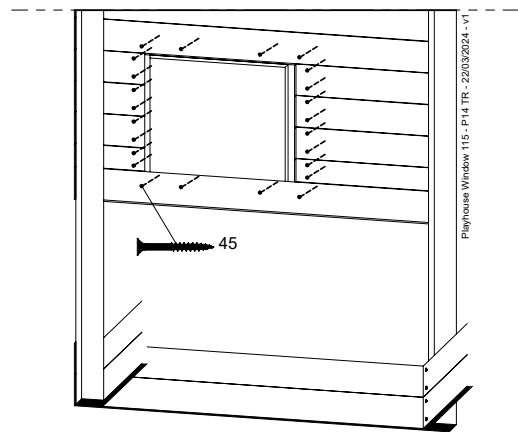
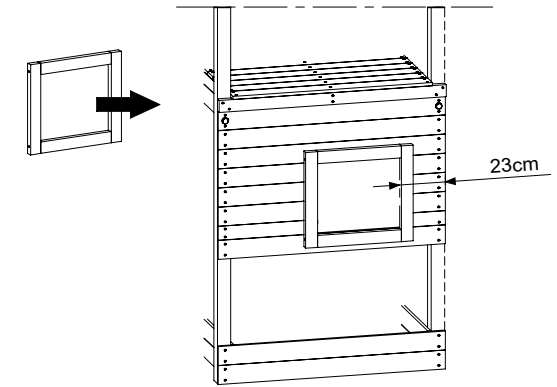
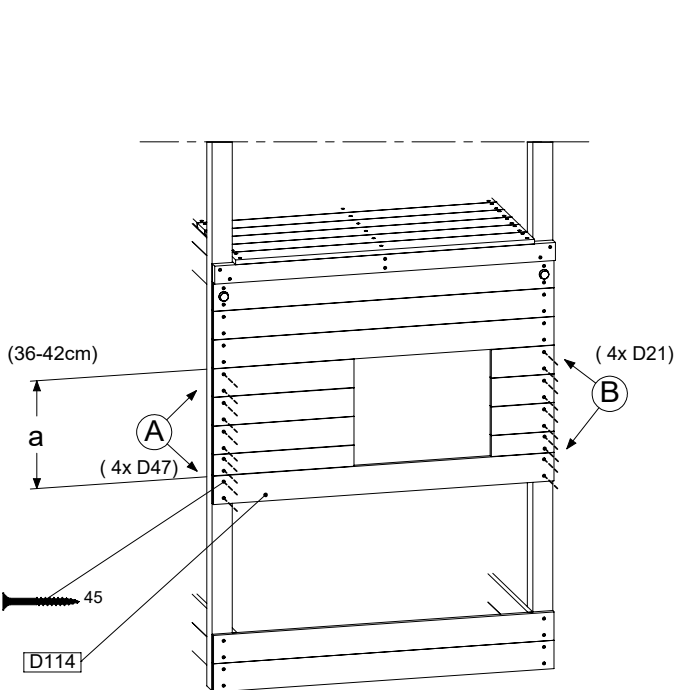


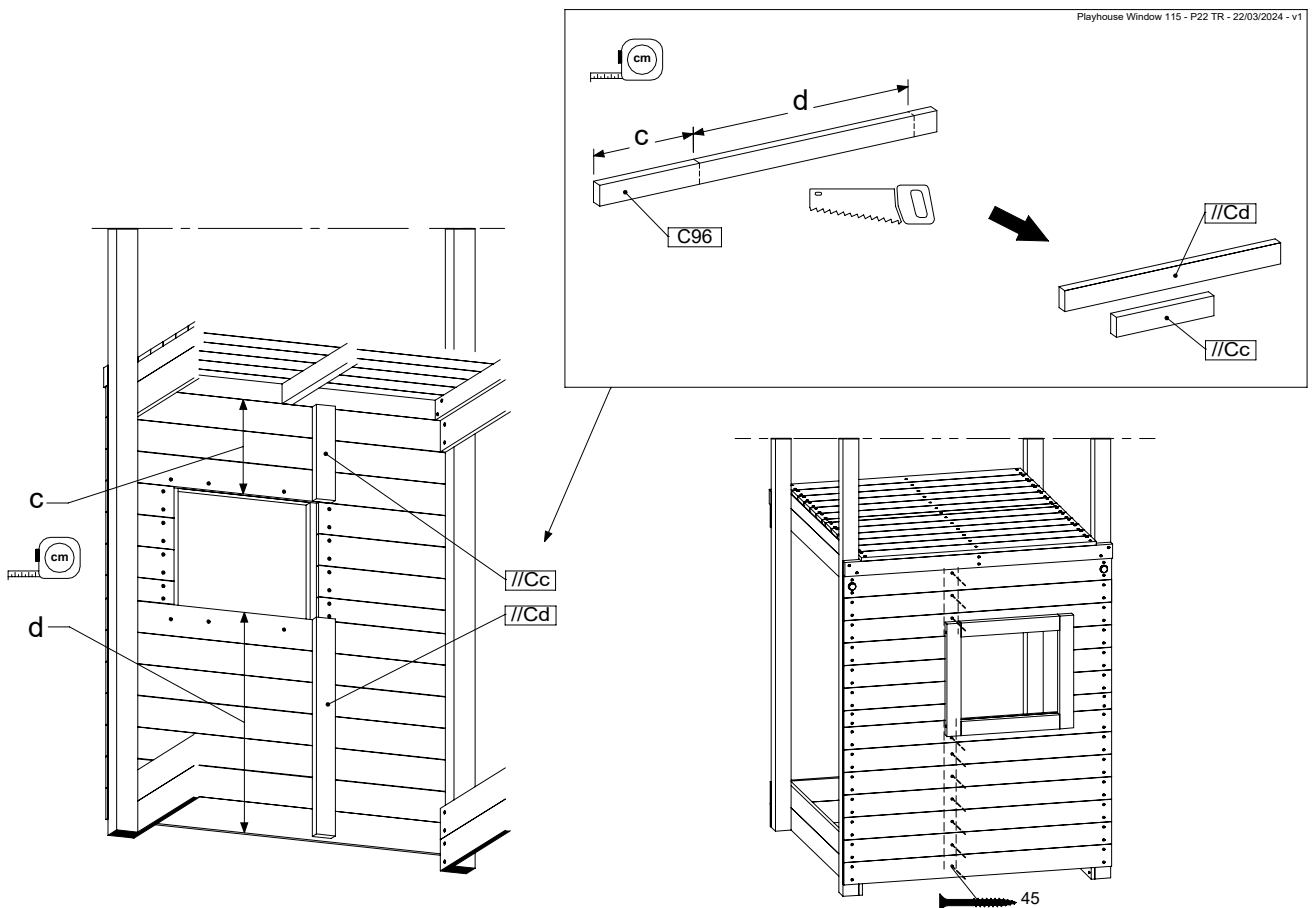
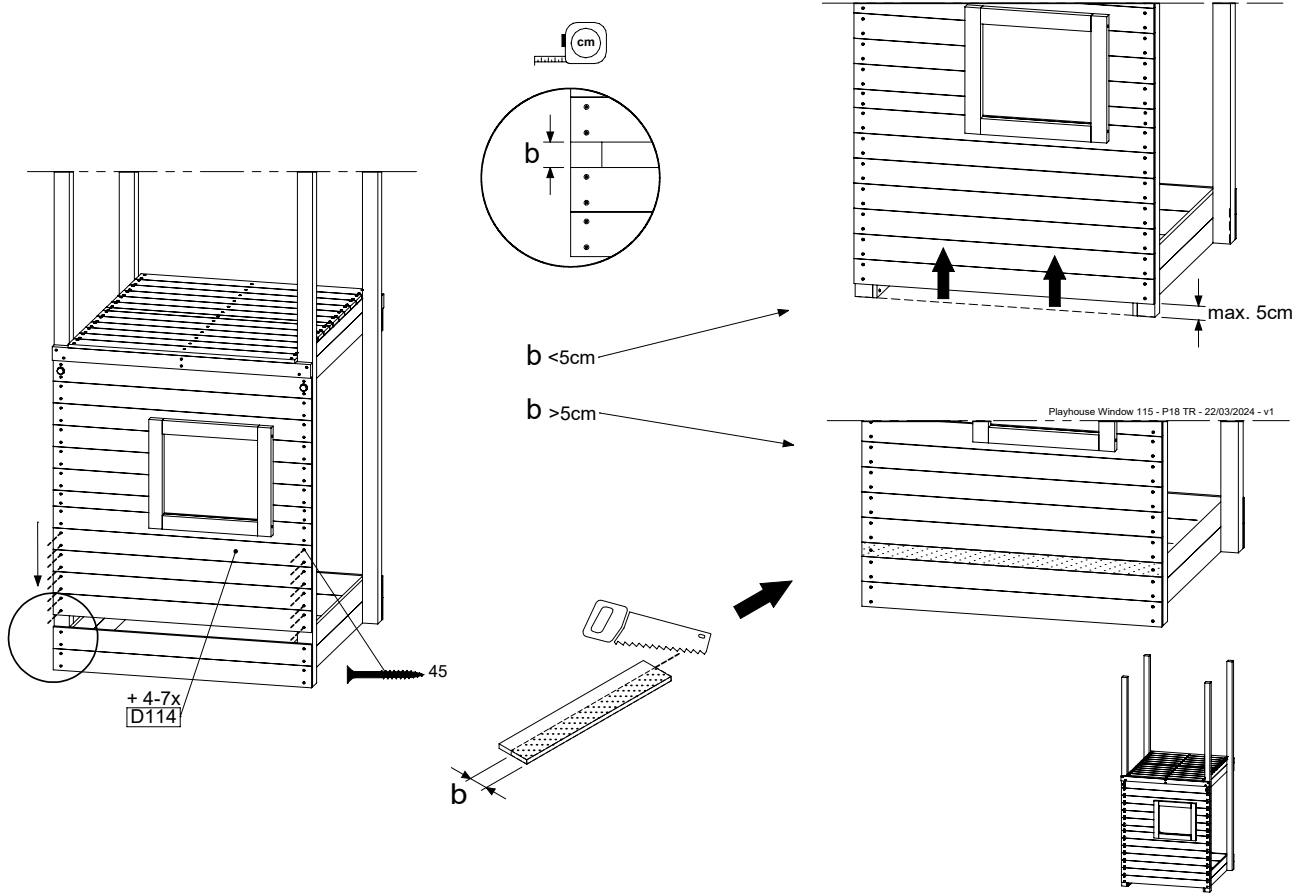




Playhouse Window 115 - P10 ul - 22/03/2024 - v1

a = cm



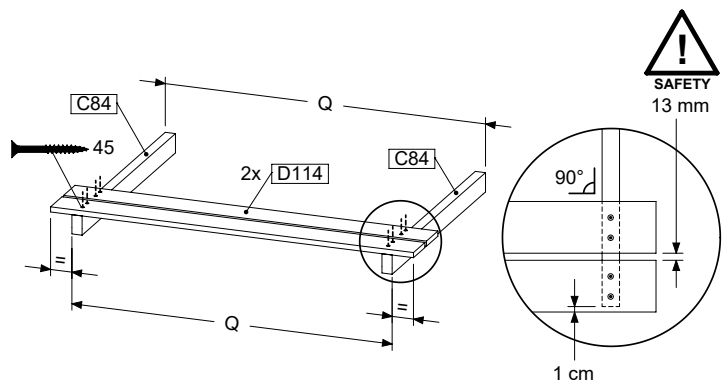
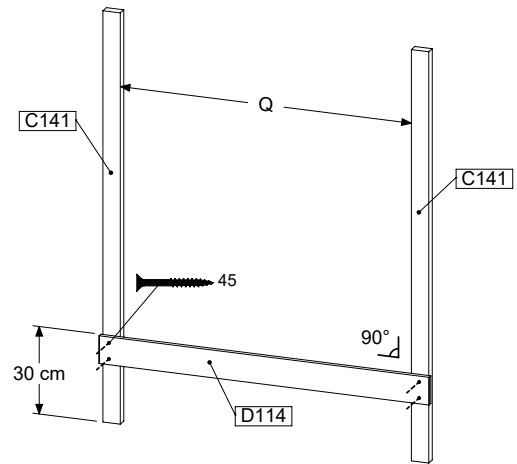
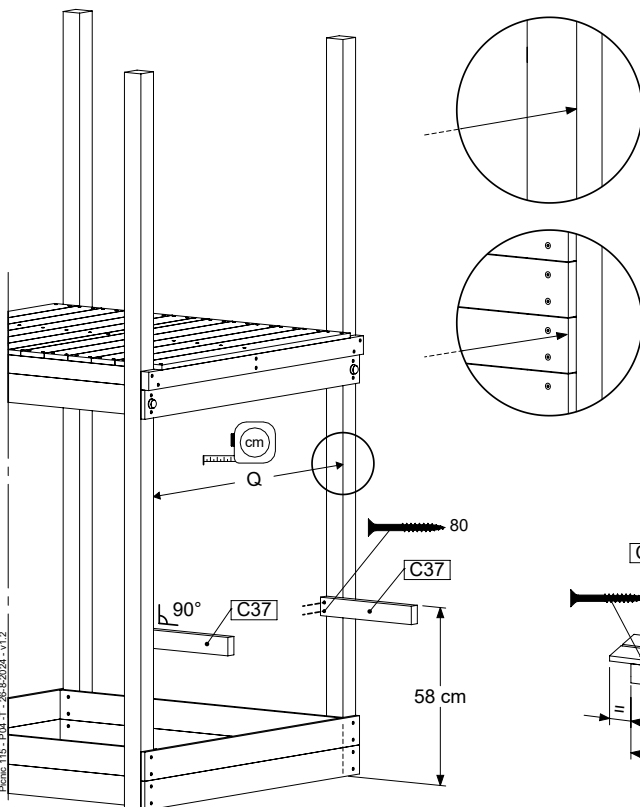
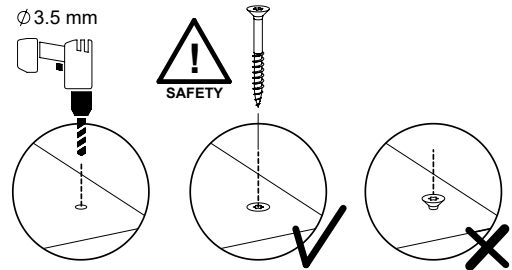
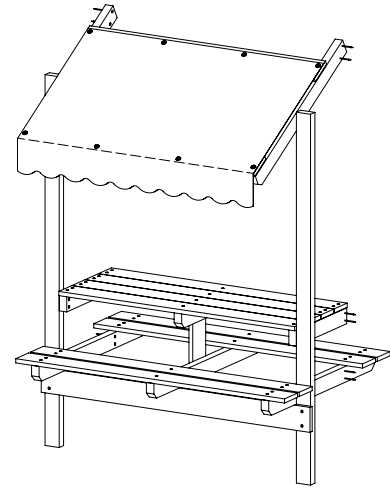


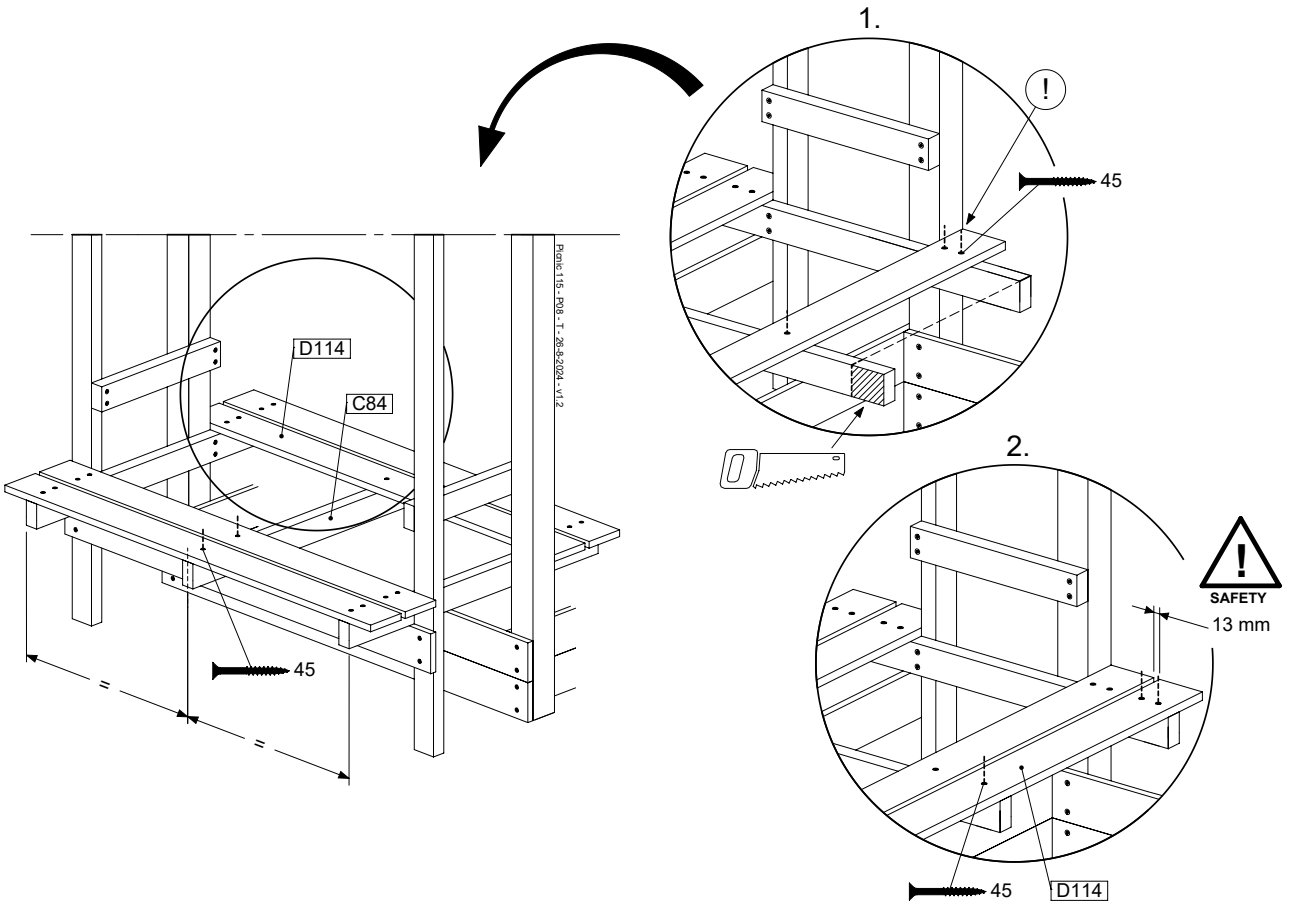
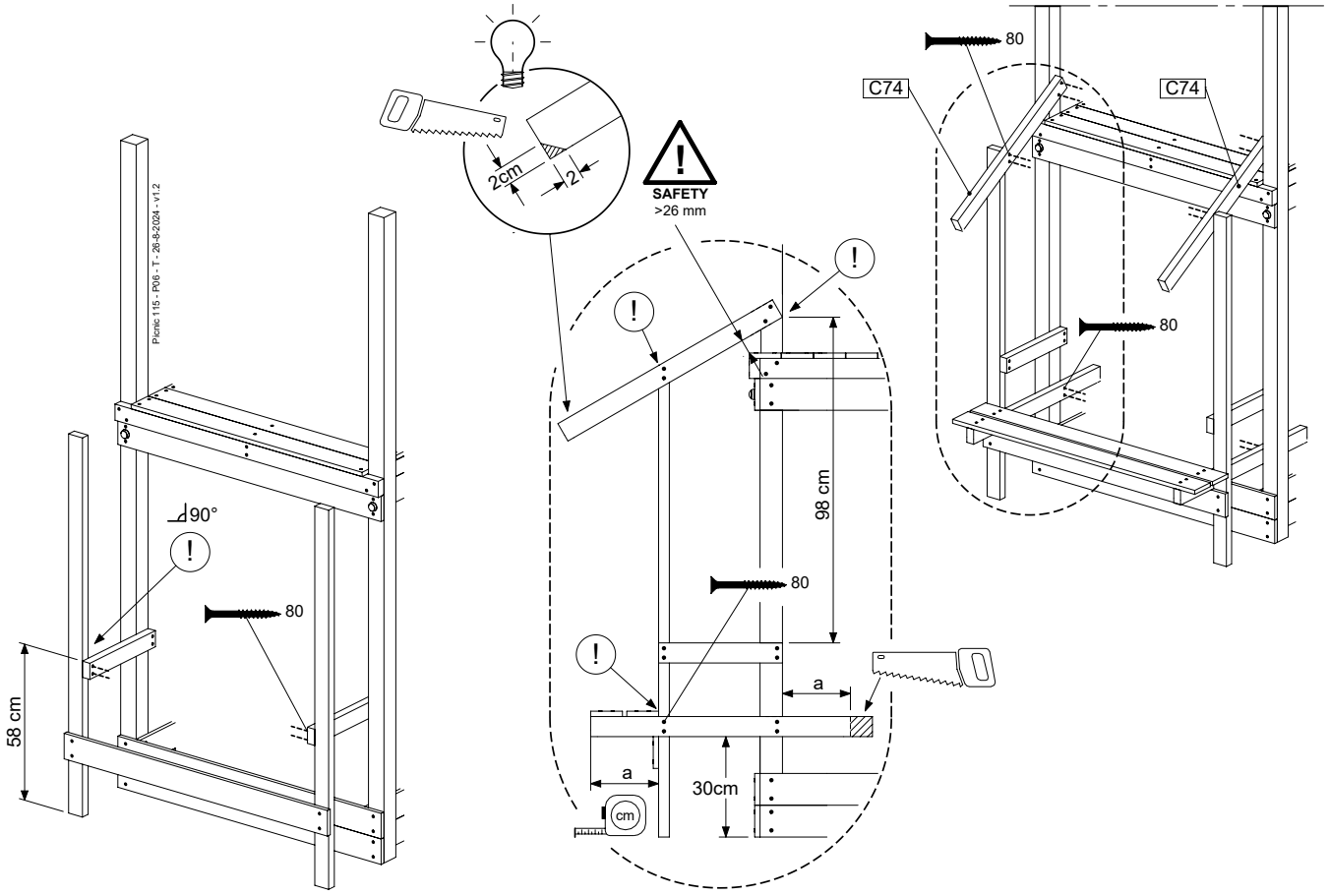
17 PC06a: Picnic 115 T

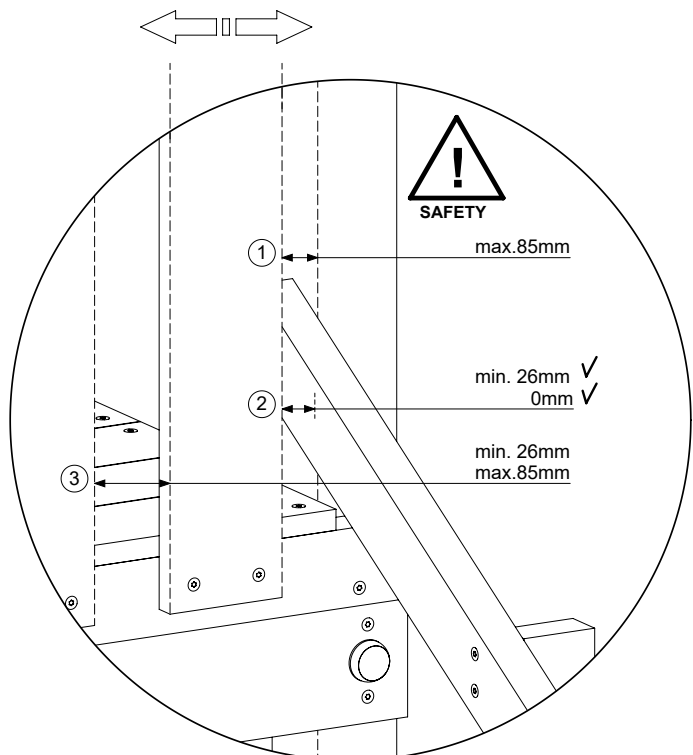
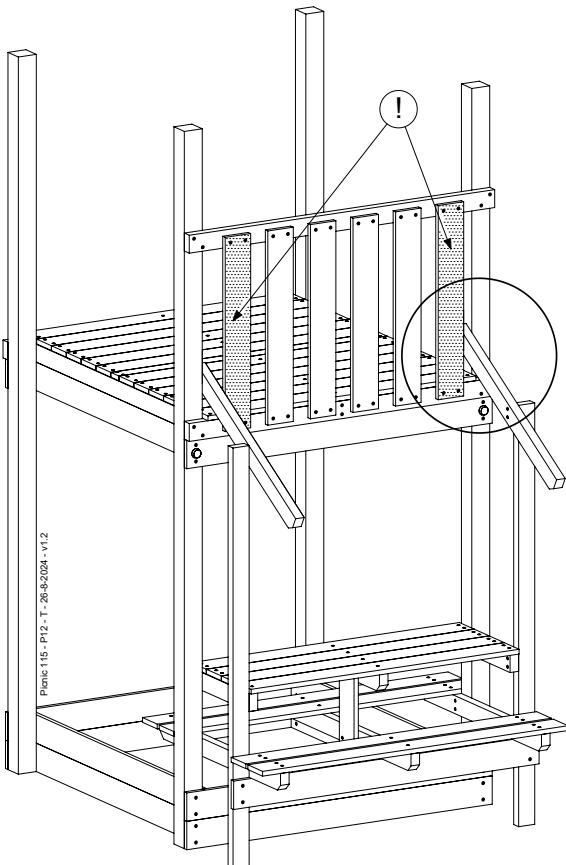
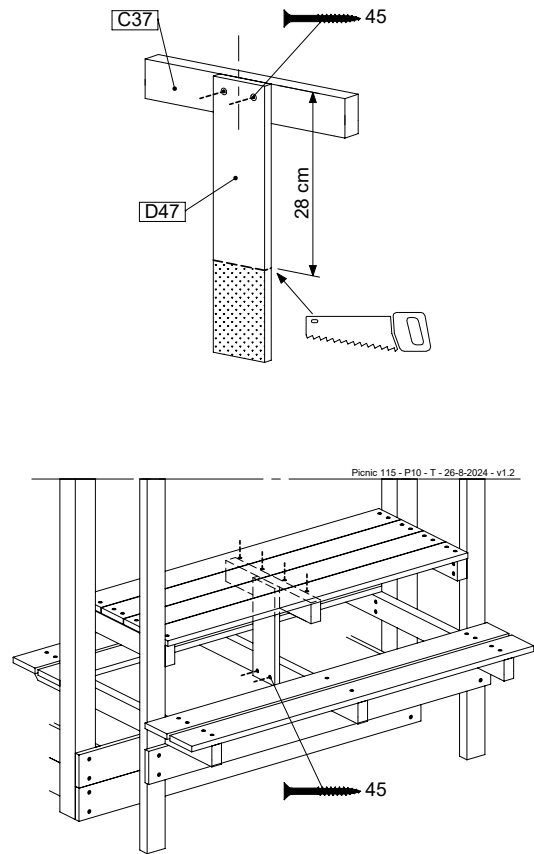
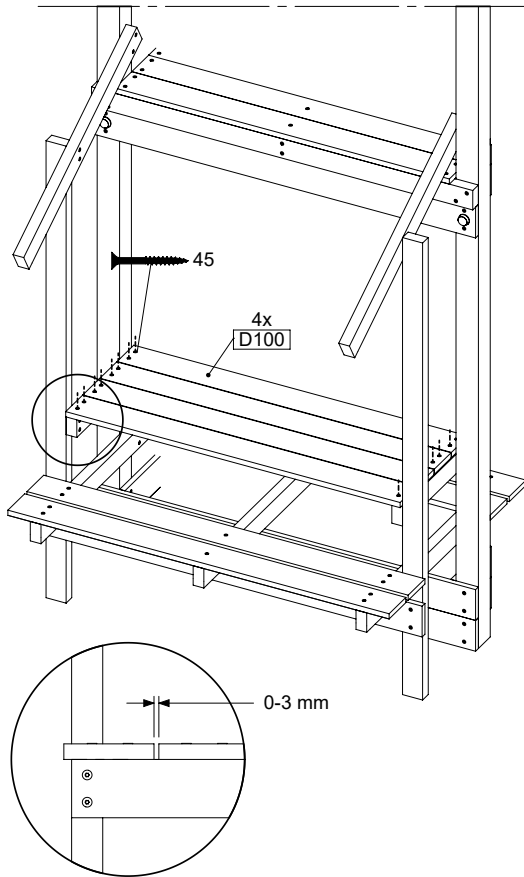
Assembly Pack: 194_810

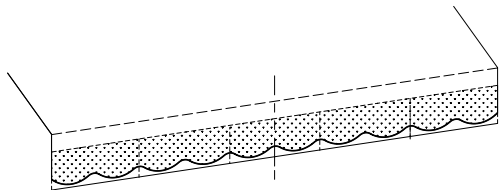
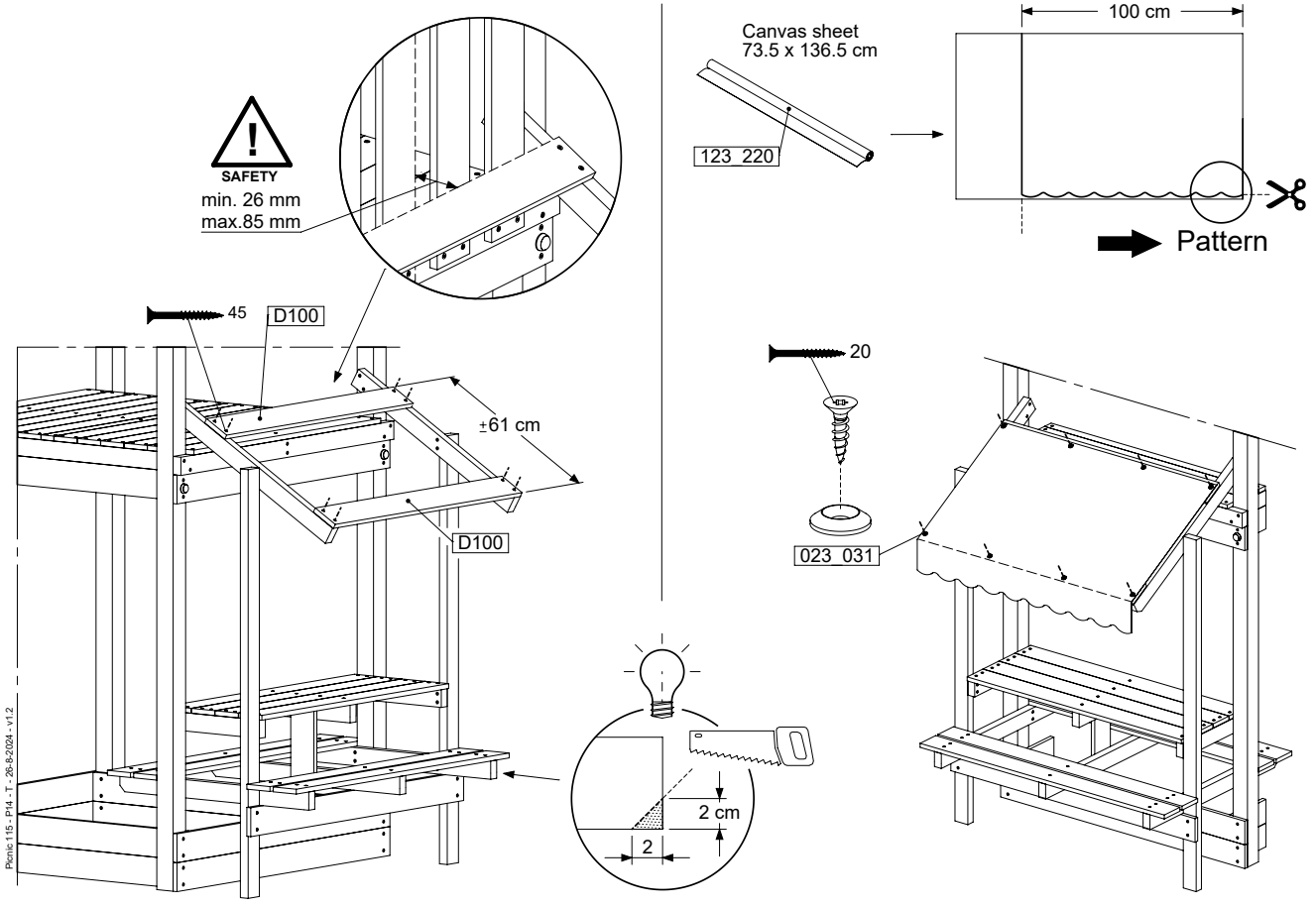
	PartNo	PartName	QTY.
Hardware + Parts	002_220	Gap Point Screw T25 - 5x45	56
	002_223	Gap Point Screw T25 - 5x80	24
	002_308	Gap Point Screw T25 - 5x20	8
	023_031	Finishing Washer GPS 5.0	8
	123_220	Canvas sheet 735x1365mm	1
Timber	C37	Beam 370 mm	3
	C74	Beam 740 mm	2
	C84	Beam 840 mm	3
	C141	Beam 1410 mm	2
	D47	Board 470 mm	1
	D100	Board 1000 mm	6
	D114	Board 1140 mm	5

Picnic 115 - P02 - UJT - 26-8-2024 - v1.2

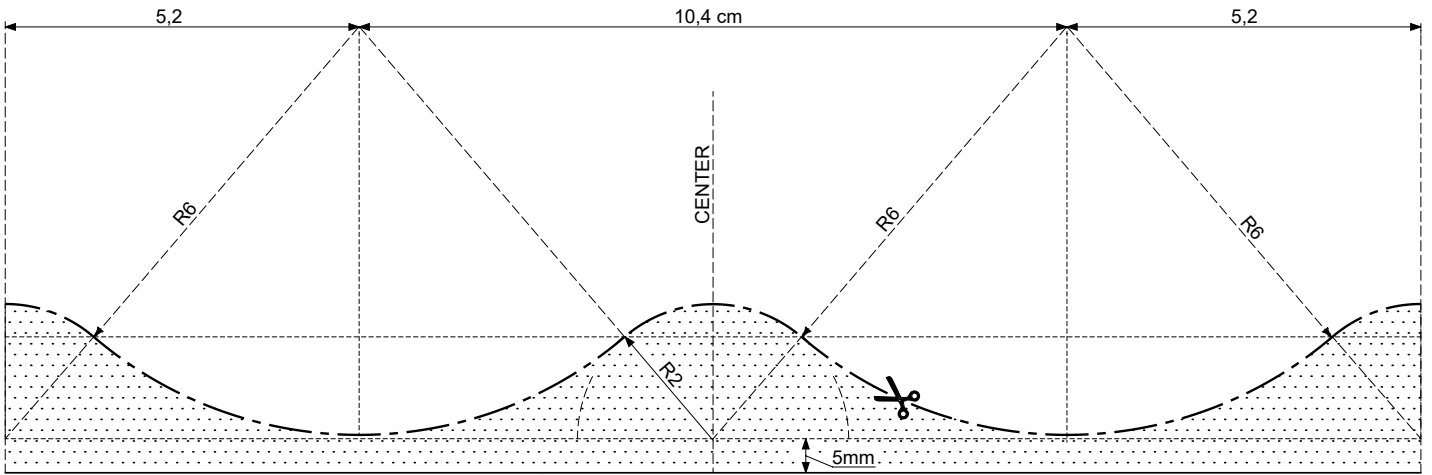








EXAMPLE PATTERN
BEISPIELVORLAGE FÜR MARKISE
SCHÉMA SUGGÉRÉ DE DÉCOUPE POUR AUVENT
VOORBEELDSJABLOON LUIFEL

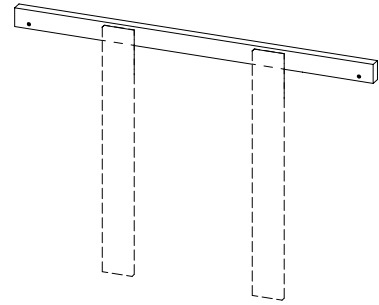
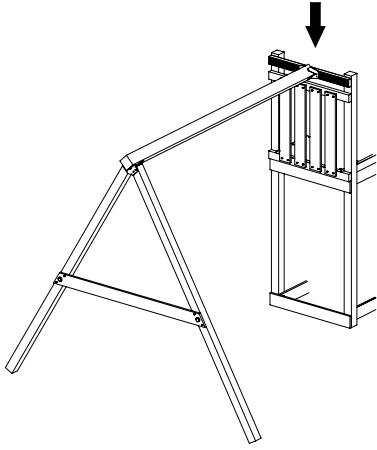


← repeat

repeat →

! Scale of print may not be accurate.
Druckformat kann abweichen.
Les tailles imprimées peuvent varier.
Printformaat kan afwijken.

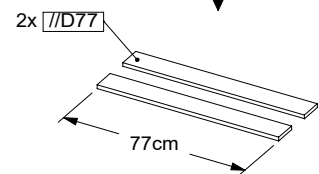
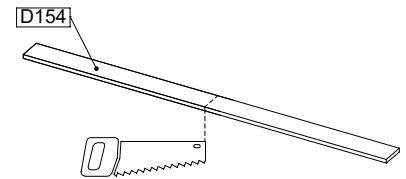
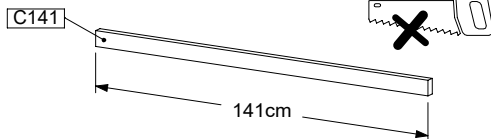
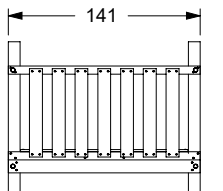
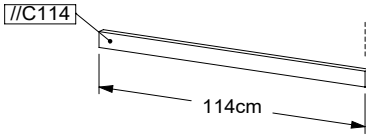
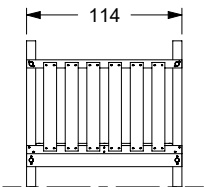
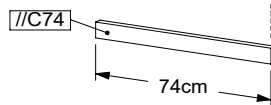
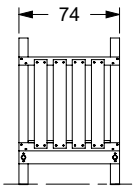
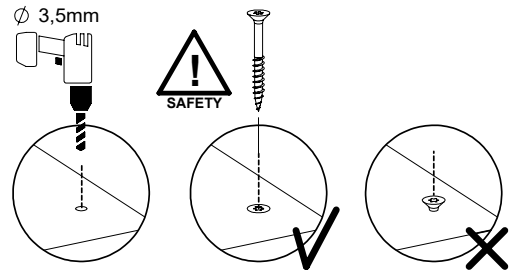
18 UB07a: Swing Mounting Set Uni - PART 1



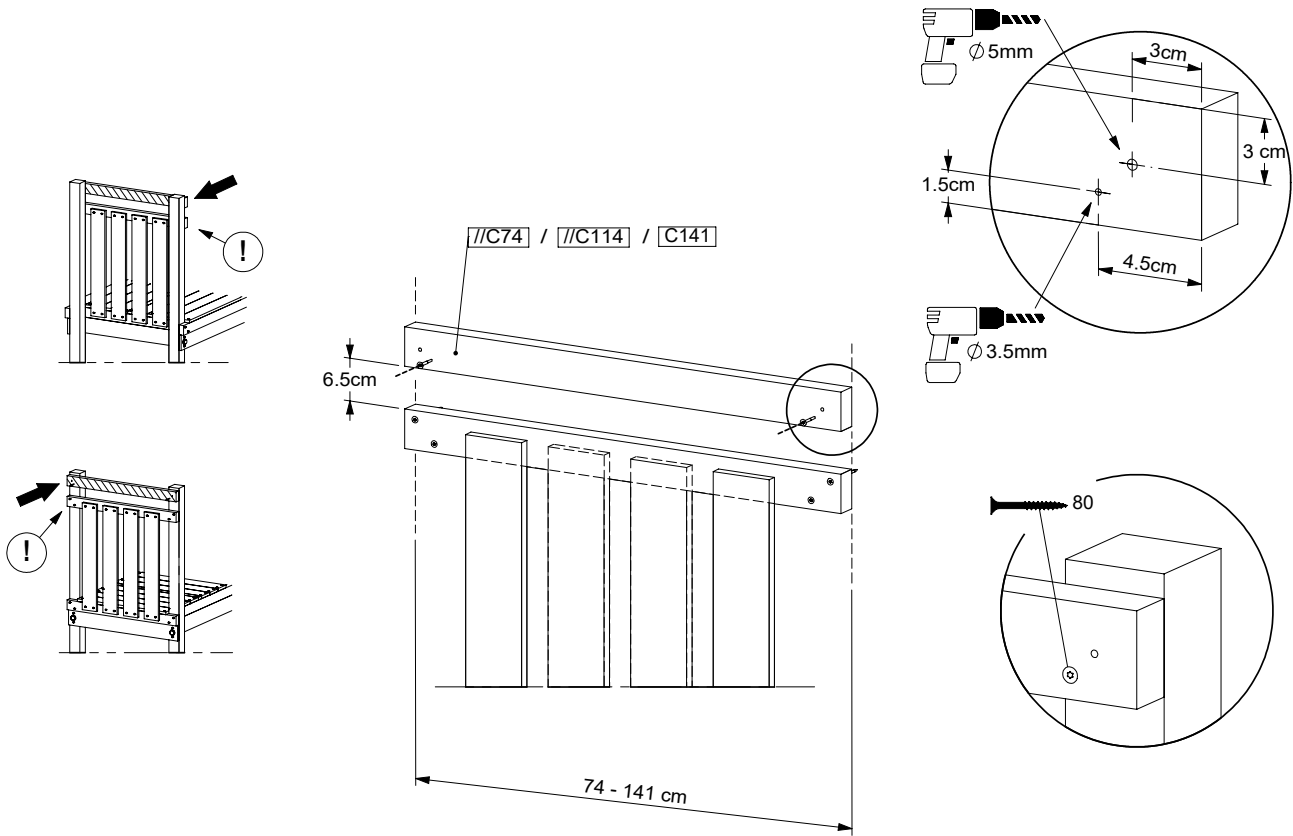
Assembly Packs: 457_103 / 457_107 (Swing / Climb Kit)

	PartNo	PartName	QTY.
Hardware	002_223	Gap Point Screw T25 - 5x80	2
Timber	C141	Beam 1410 mm	1
	D154	Board 1540 mm	1

Swing Mounting Set - P02 - 23/09/2024 - v1.0

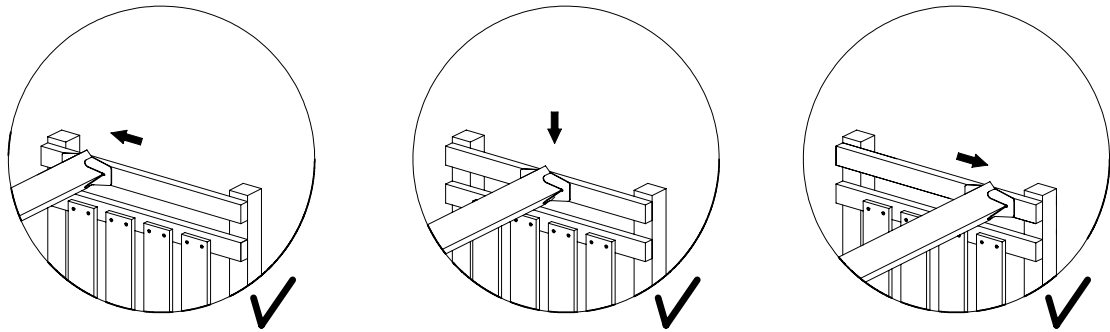


Swing Mounting Set - P03 - 23/09/2024 - v1.0

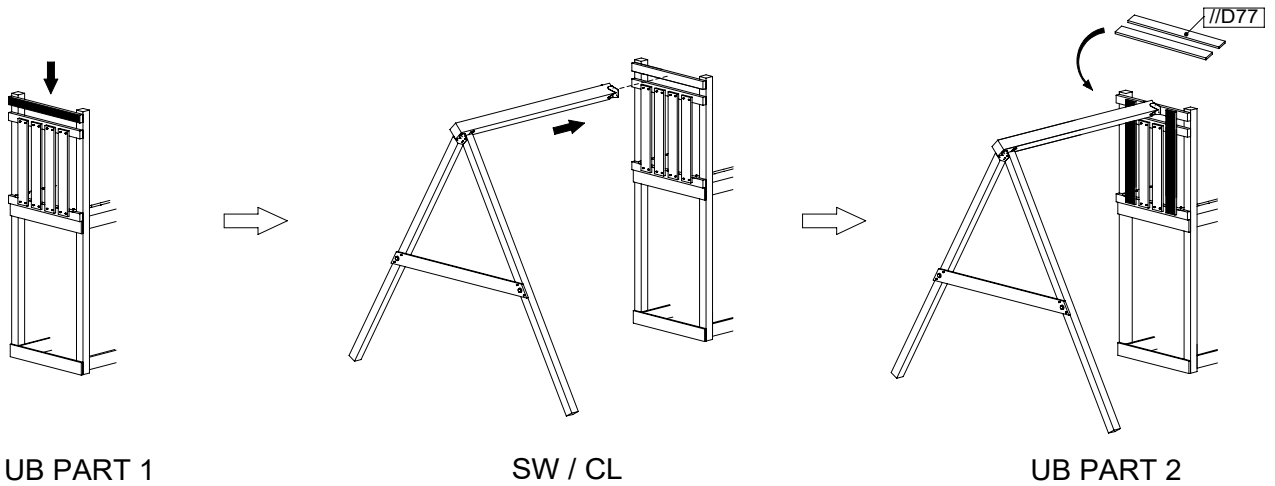


Swing Mounting Set - PM4 - 23/09/2024 - v1.0

Manual ID: 048_071_2613



Swing Mounting Set - P05 - 23/09/2024 - v1.0



UB PART 1

SW / CL

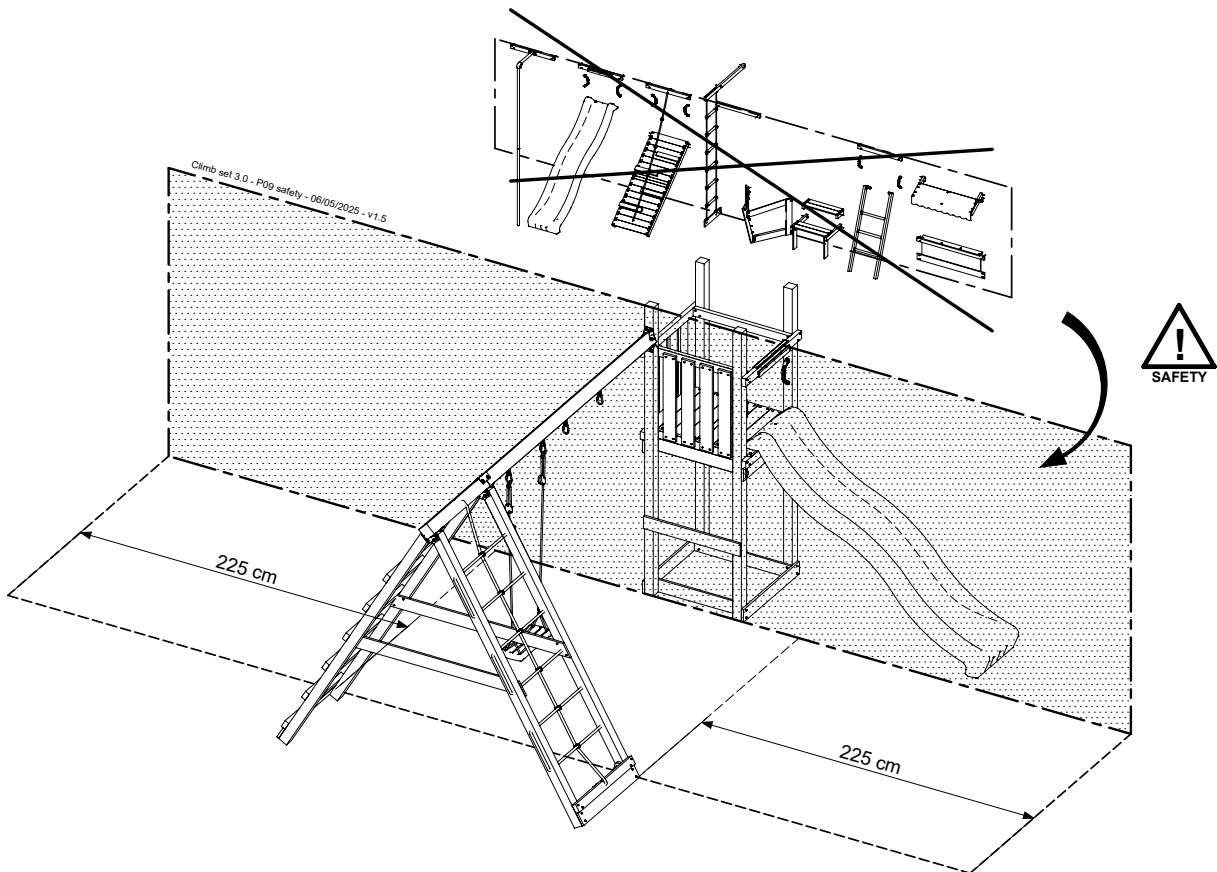
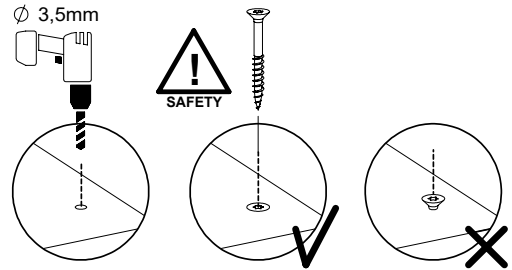
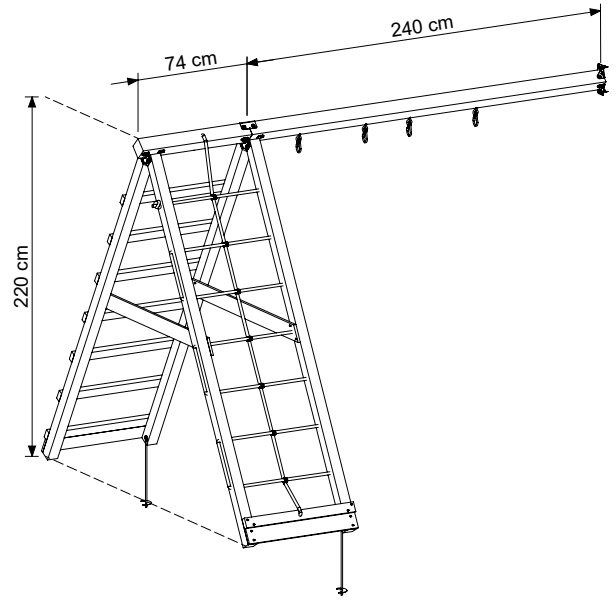
UB PART 2

19 CL14b: 2- Climb Module 220 - 3.0

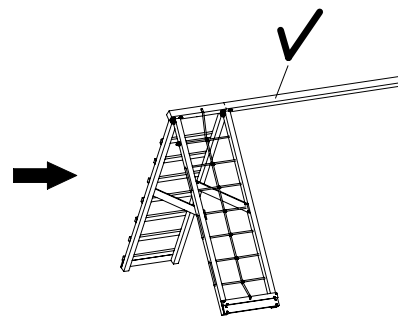
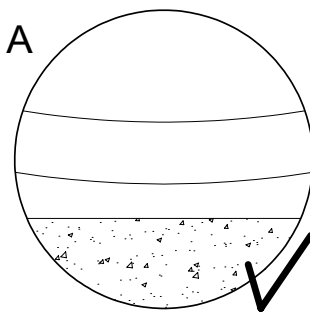
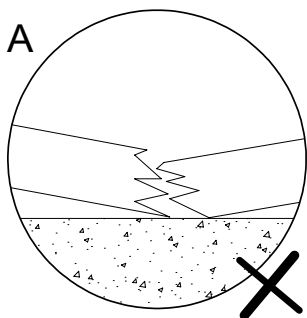
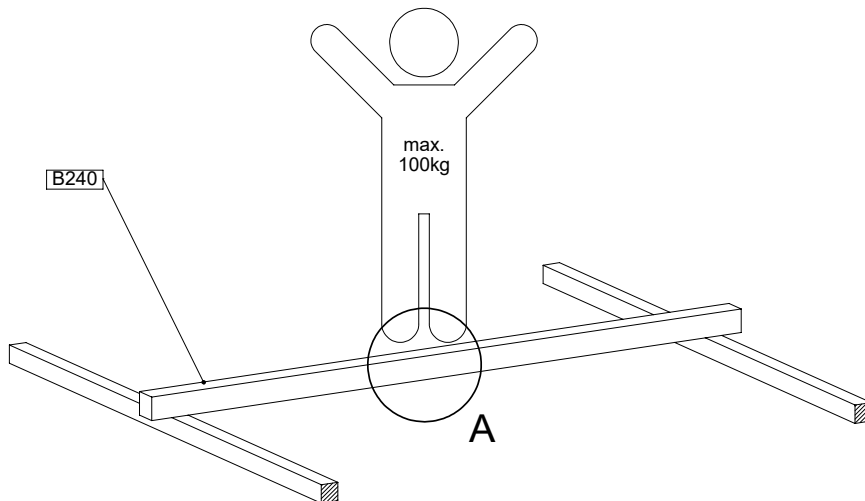
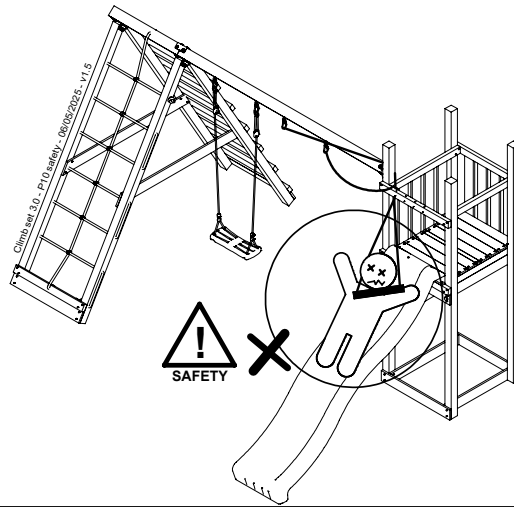
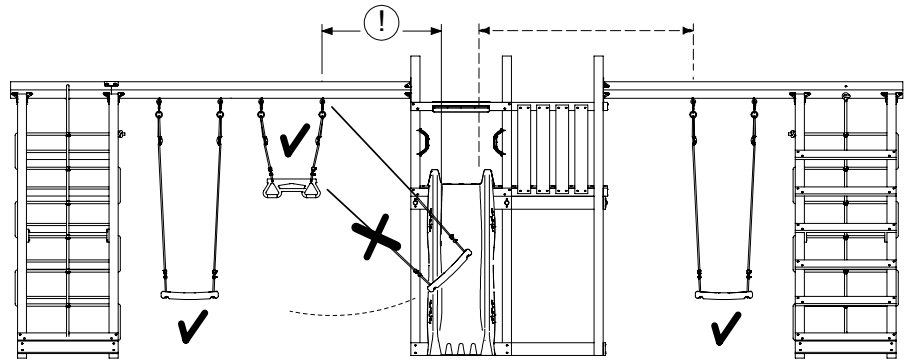
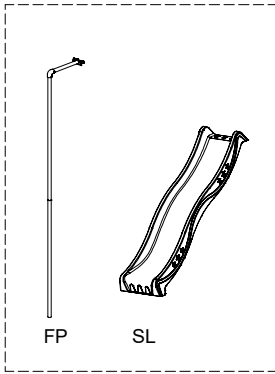
Assembly Kit: 457_107

	PartNo	PartName	QTY.
Hardware + Parts	001_404	Stealth Screw 8x30	4
	001_406	Stealth Screw 8x45	34
	001_417	Stealth Screw 8x80	2
	002_220	Gap Point Screw T25 - 5x45	36
	002_223	Gap Point Screw T25 - 5x80	35
	002_301	Dry Wall Screw PH2 3.9 x 40 mm	7
	023_042	Nylon washer 9x19x1.5	36
	005_096	A-Frame V-Connector	4
	005_097	Swing V-Connector	2
	005_099	Climber Top Connector	1
	007_001	Ground-anchor	2
	020_317	Rope Polyester 16mm Green 3.4m	1
	020_318	Rope Polyester 16mm Green 8.1m	1
	022_455	Rope Cross Connector Egg	7
101_003	Swing hook with Carabiner	4	
Timber	A240	Post ca.70x70 L2400	4
	B74	Post ca.90x90 L740	1
	B240	Post ca.90x90 L2400	1
	C74	Beam 740 mm	8
	D74	Board 740 mm	2
	D141	Board 1410 mm	3

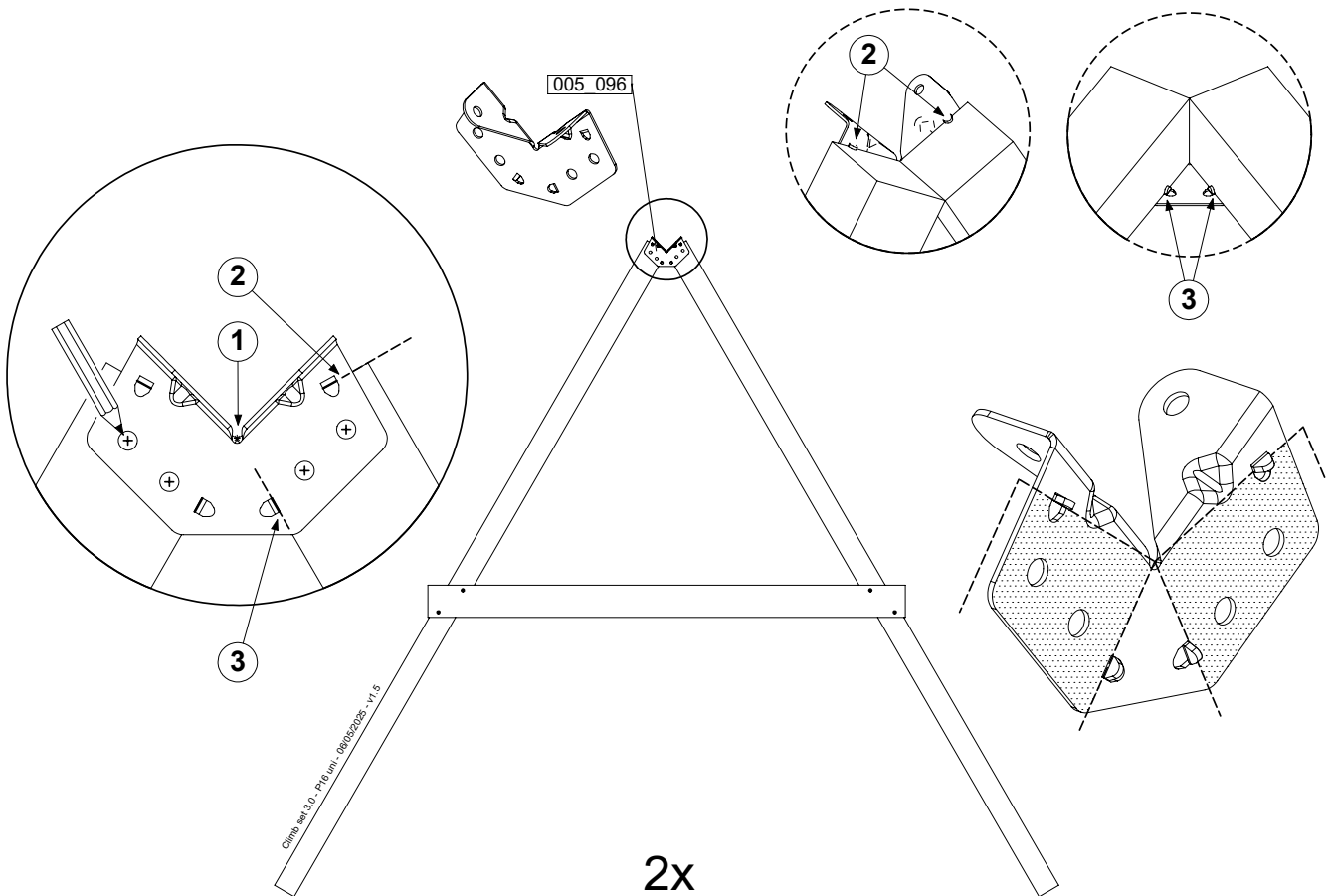
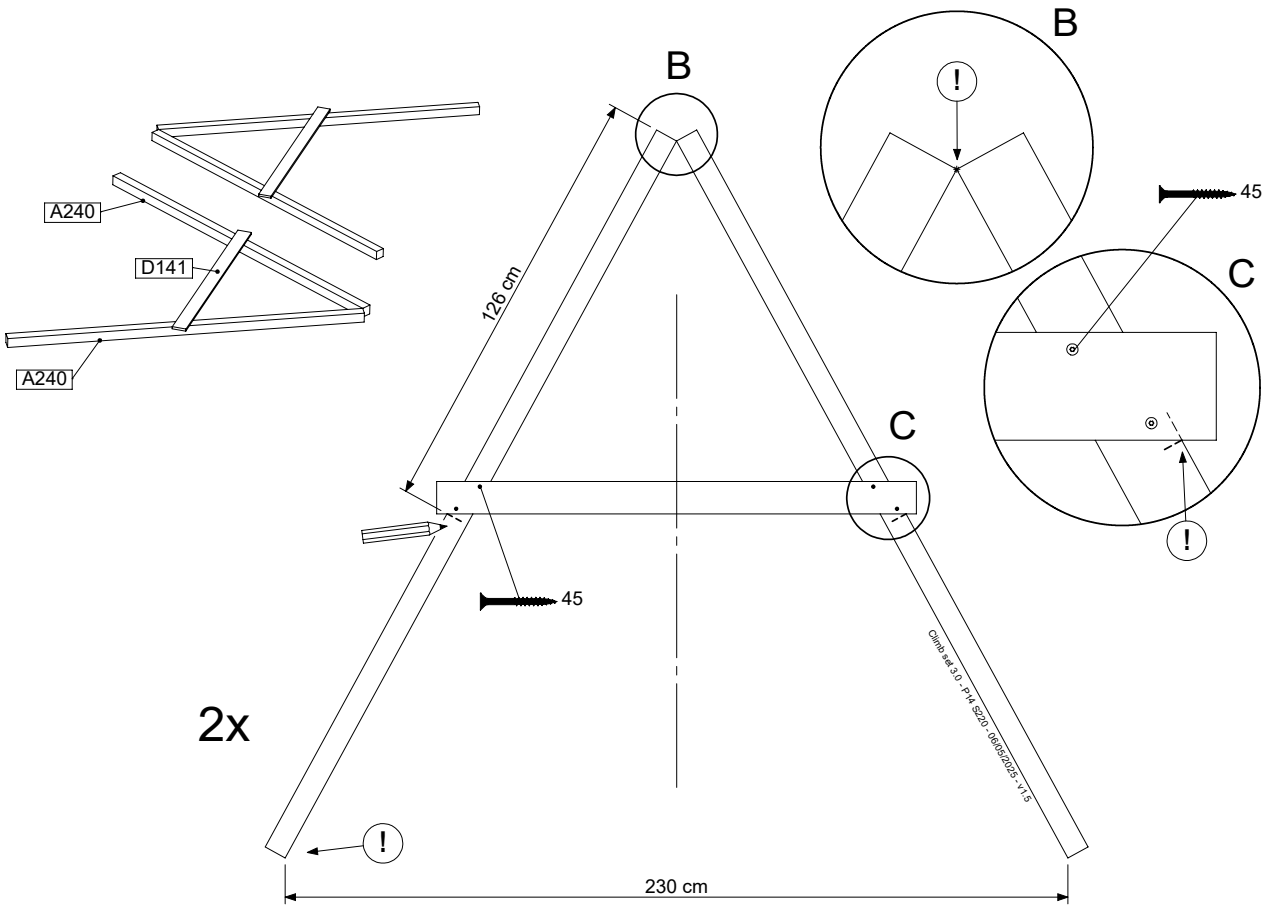
Climb set 3.0 - P06 2C220 - 06/05/2025 - v1.5

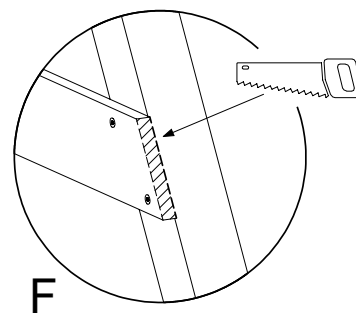
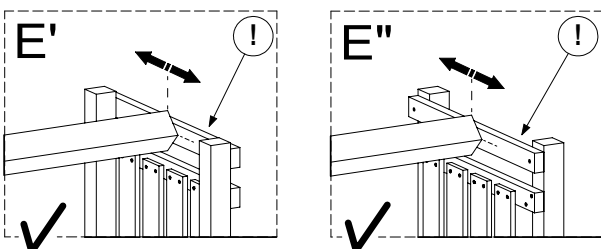
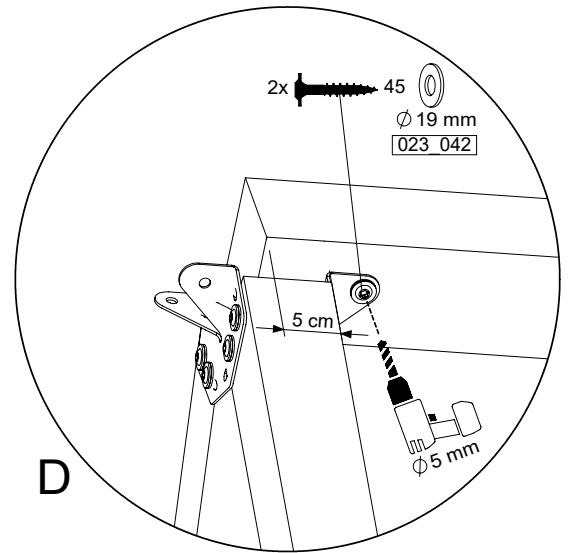
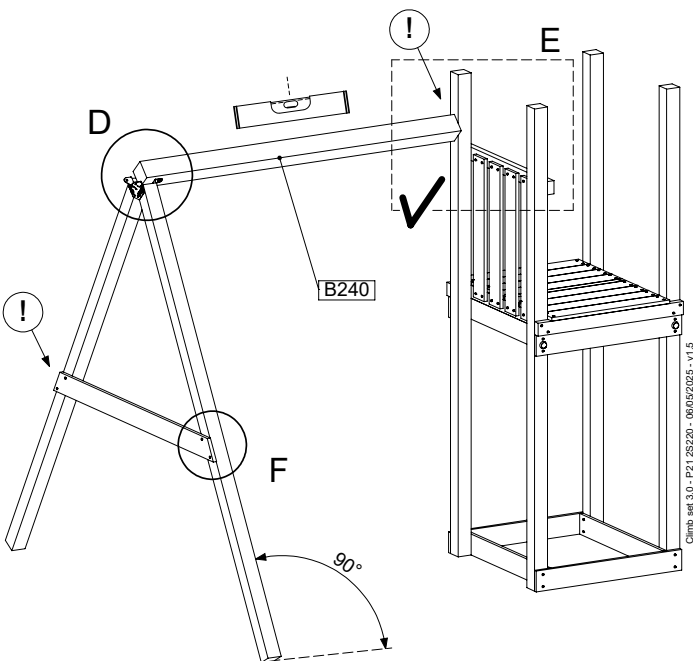
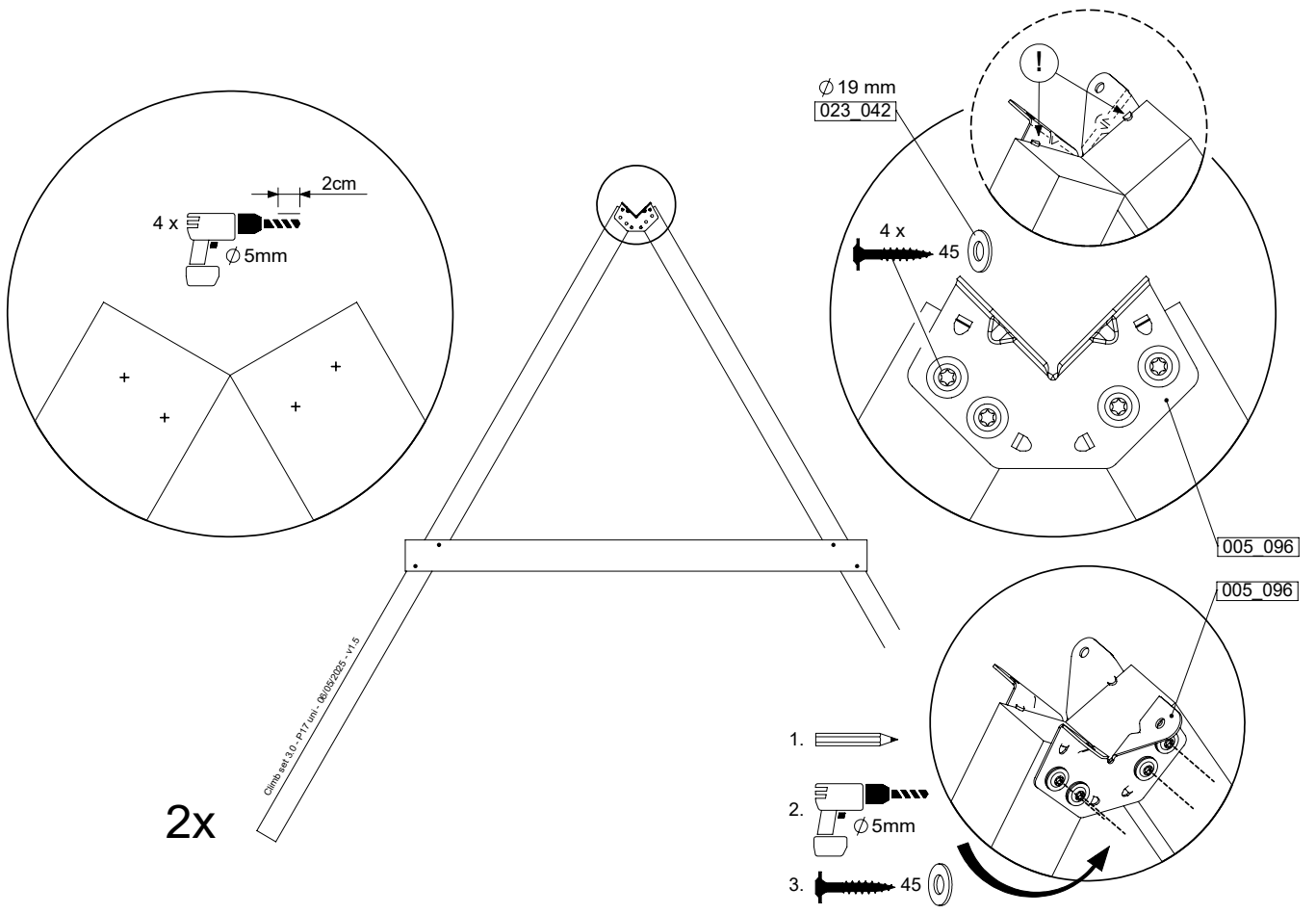


19.1



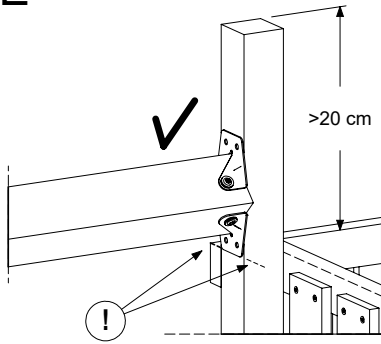
Climb set 3.0 - P12 25220 - 06/05/2025 - v1.5



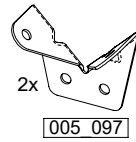
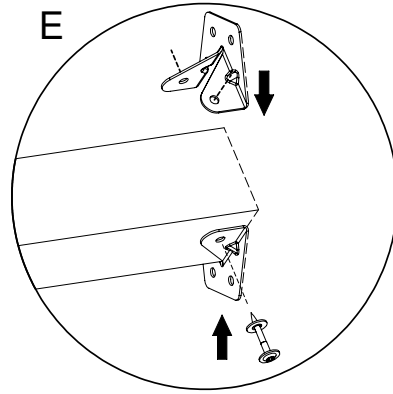


19.4

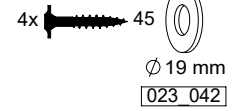
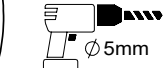
E



E



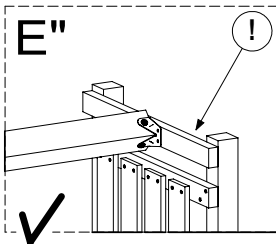
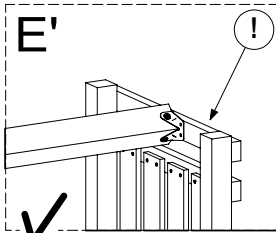
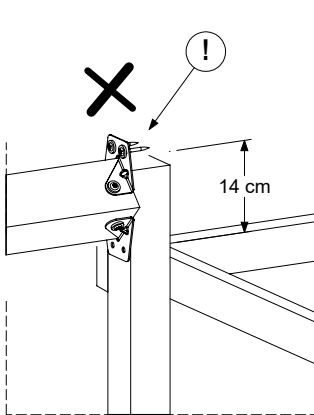
2x
005_097



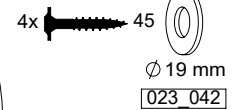
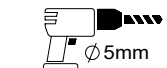
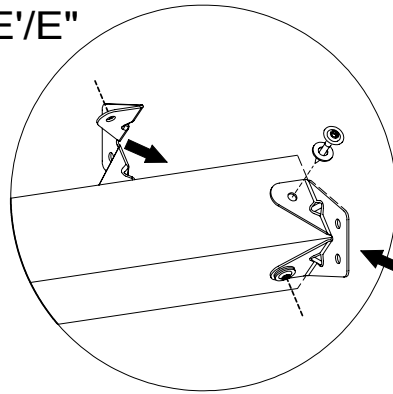
4x 45
Ø 19 mm
023_042

Climb set 3.0 - P23 uni - 06/05/2025 - v1.5

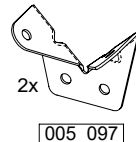
E'/E''



E'/E''

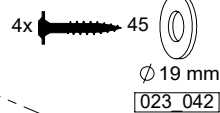
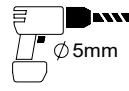
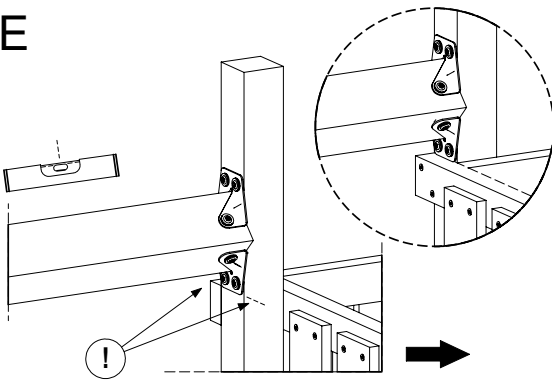


4x 45
Ø 19 mm
023_042



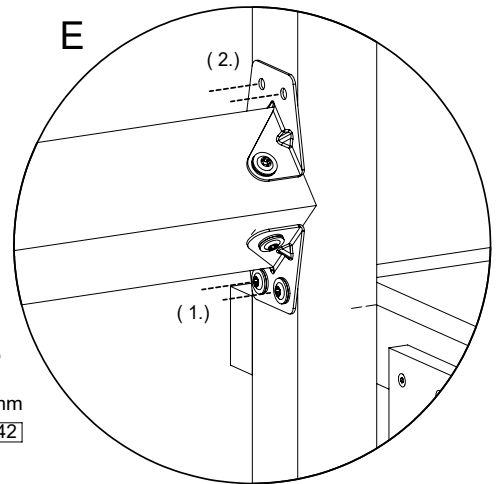
2x
005_097

E



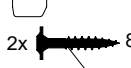
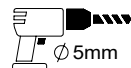
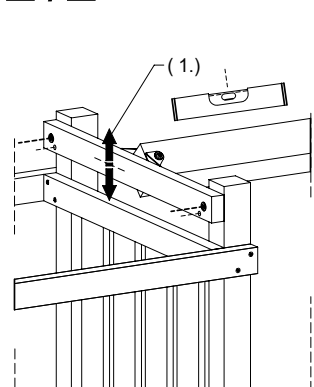
4x 45
Ø 19 mm
023_042

E



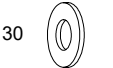
Climb set 3.0 - P23 uni - 06/05/2025 - v1.5

E'/E''

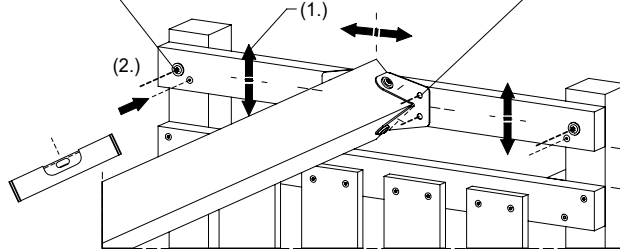
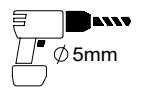


2x 80

023_042

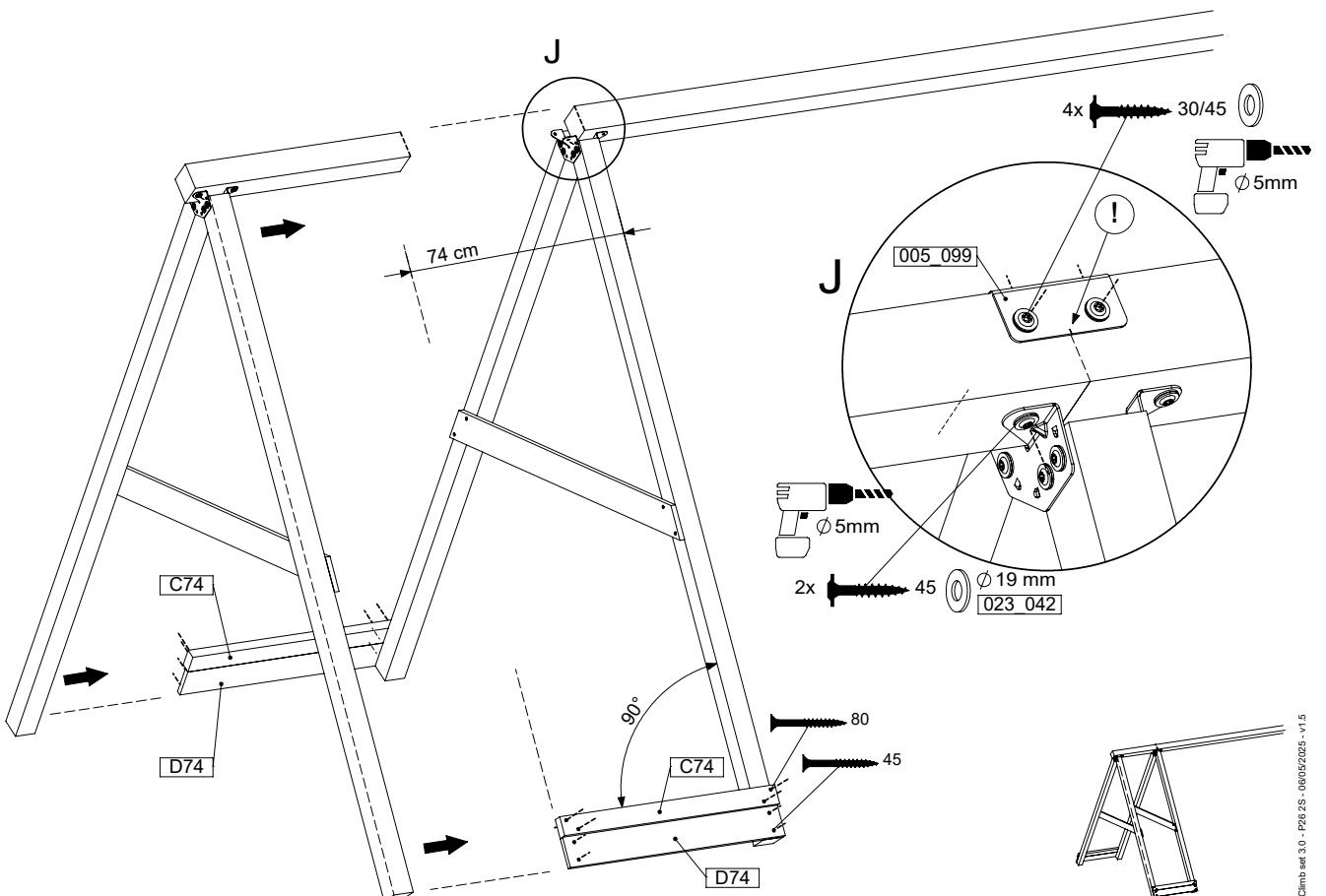
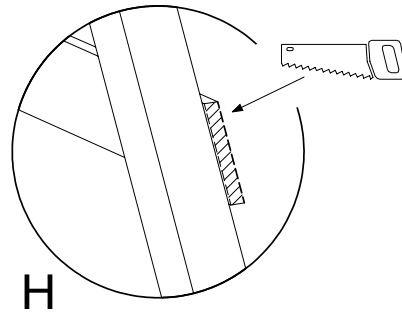
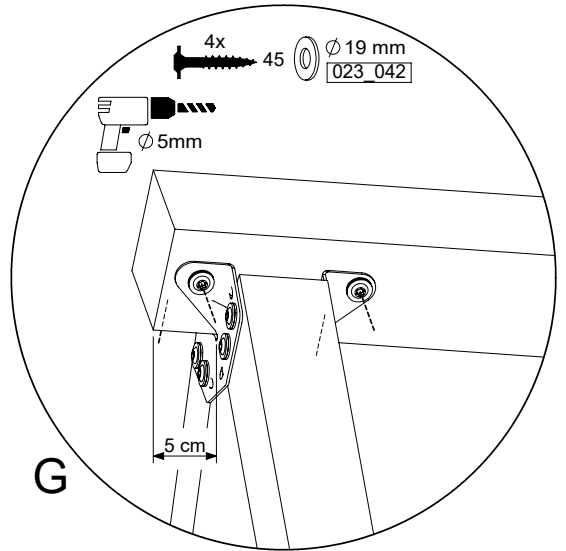
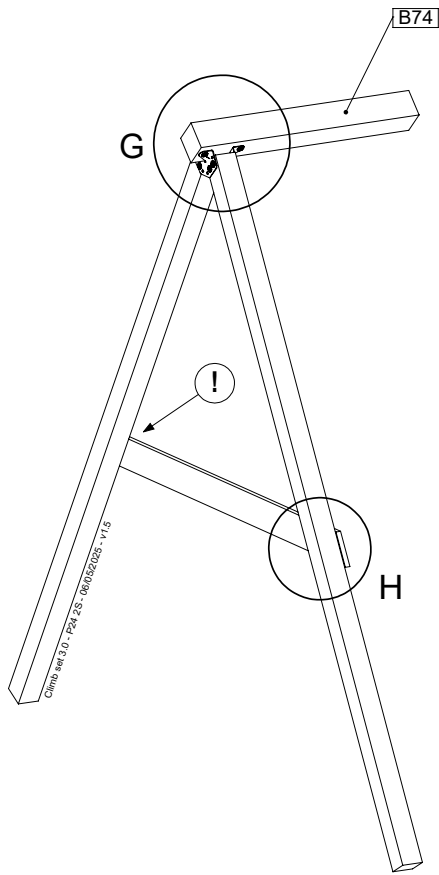


4x 30
Ø 19 mm

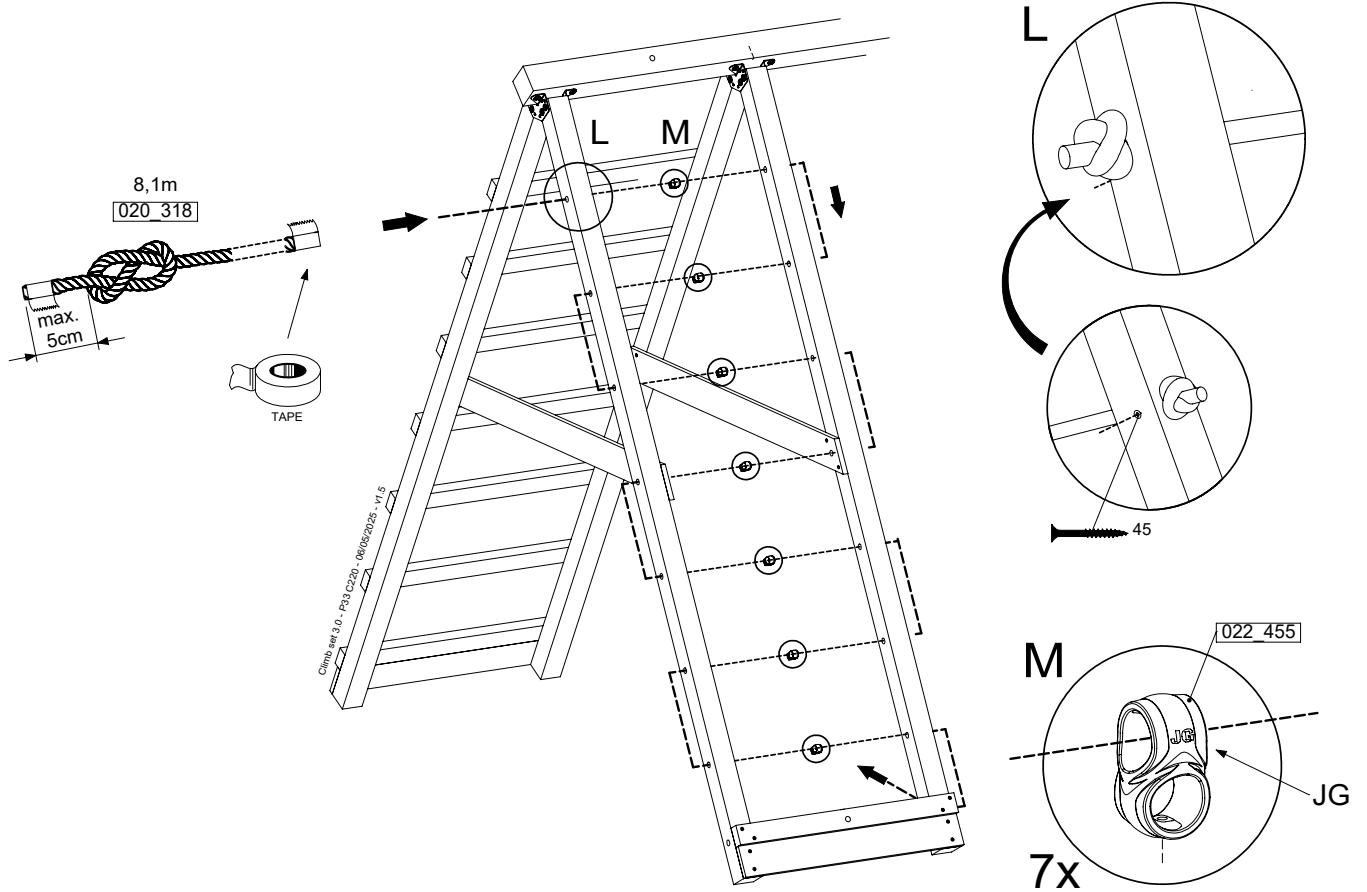
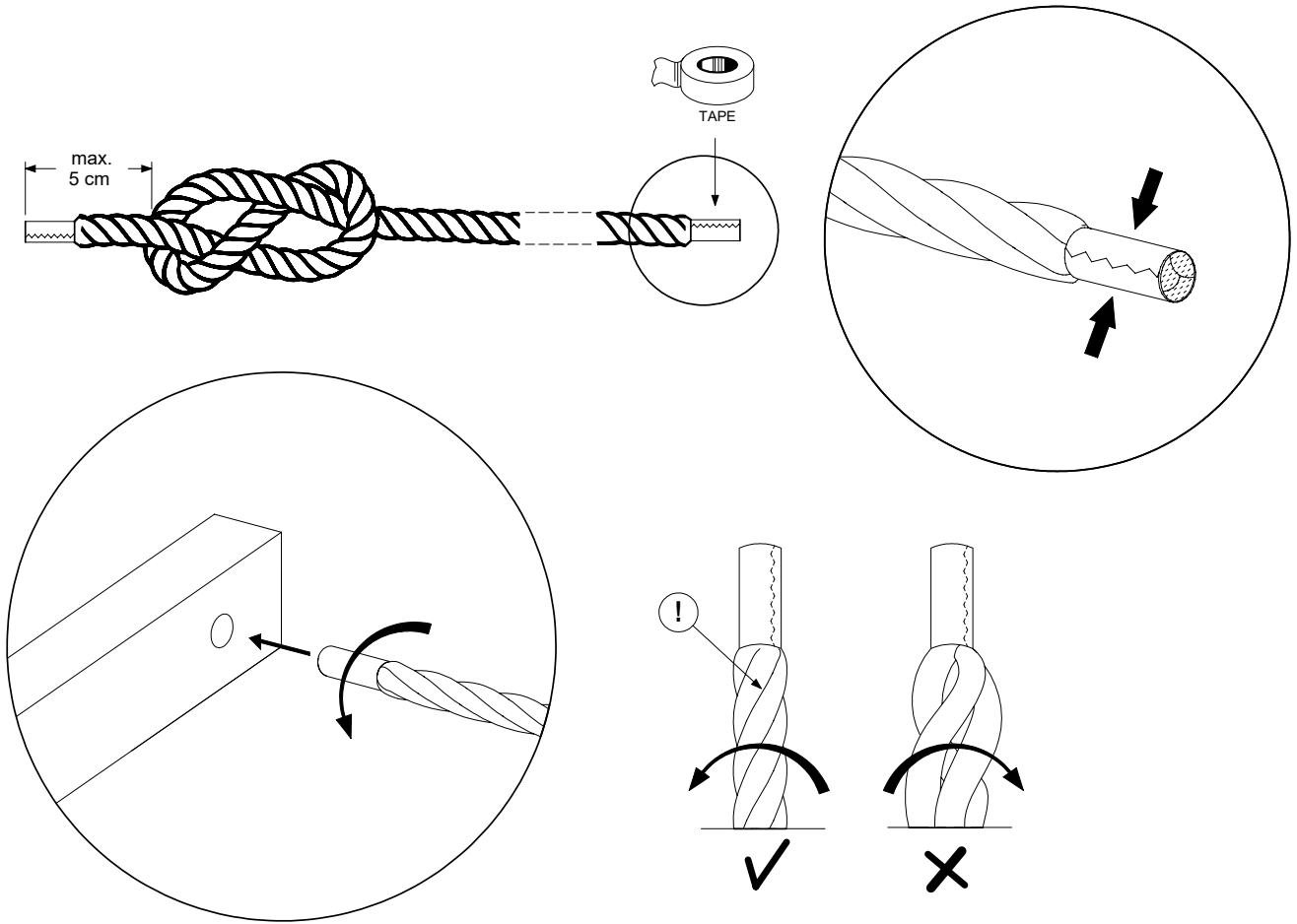


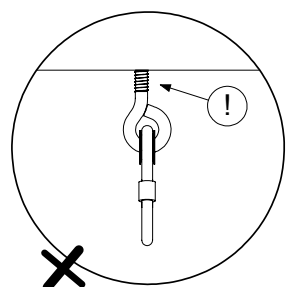
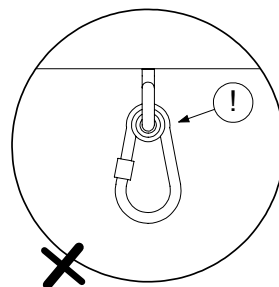
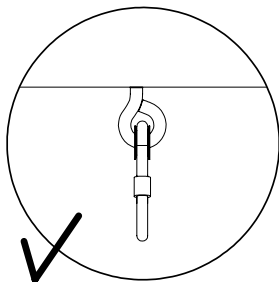
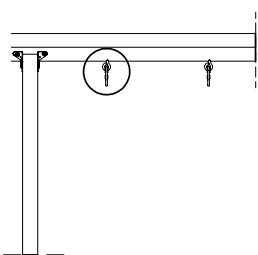
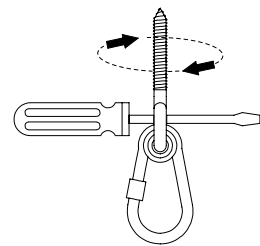
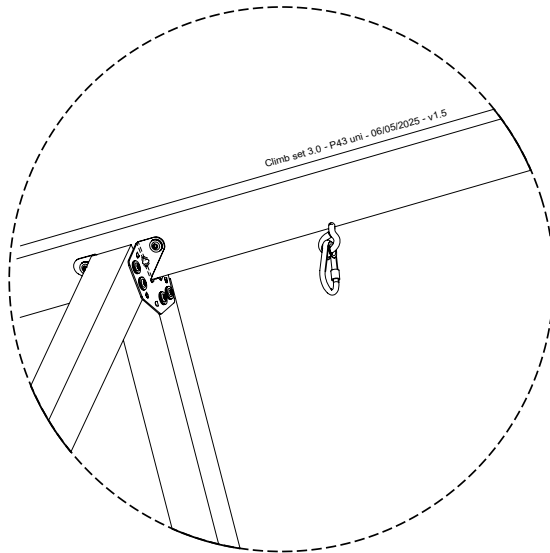
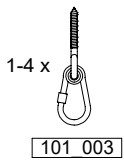
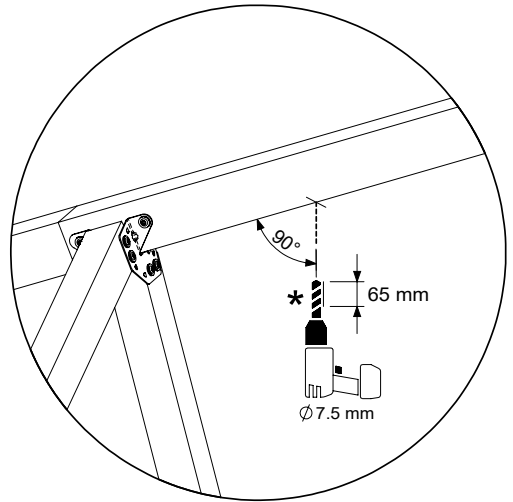
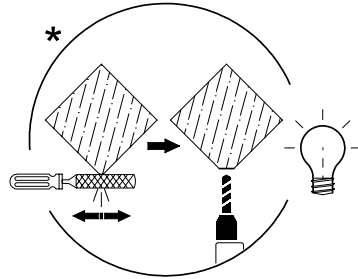
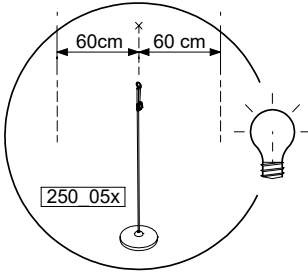
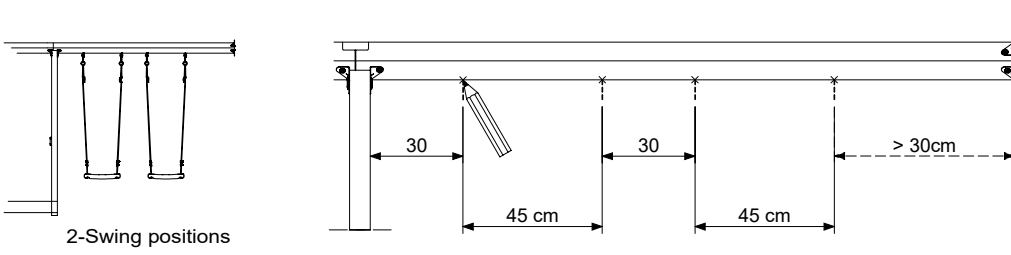
E'

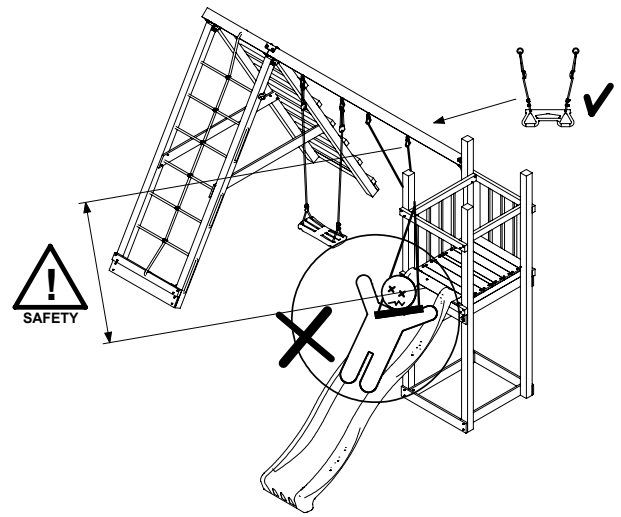
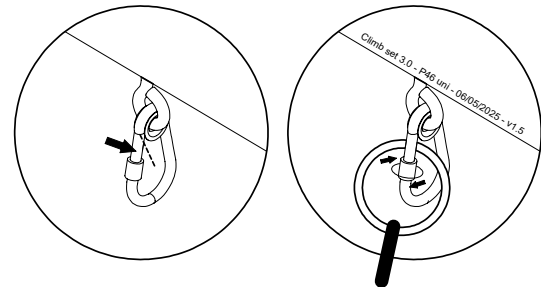
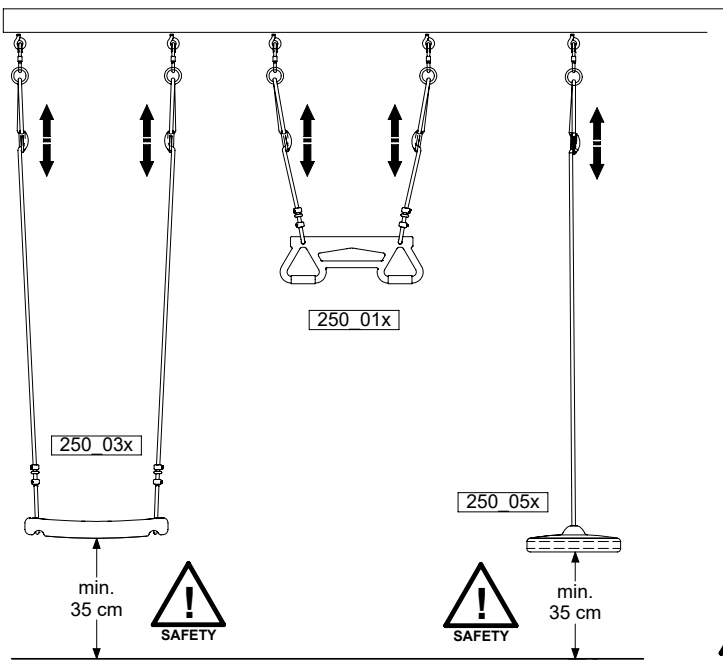
(E'')



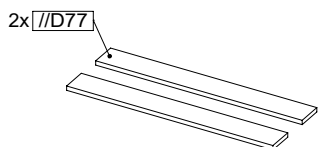
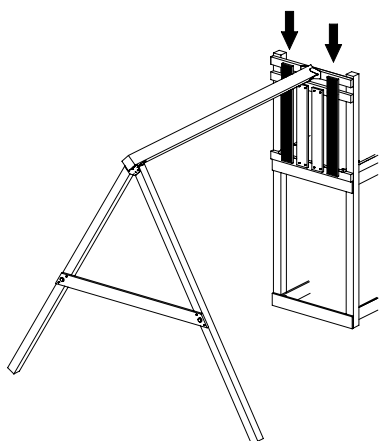
19.7



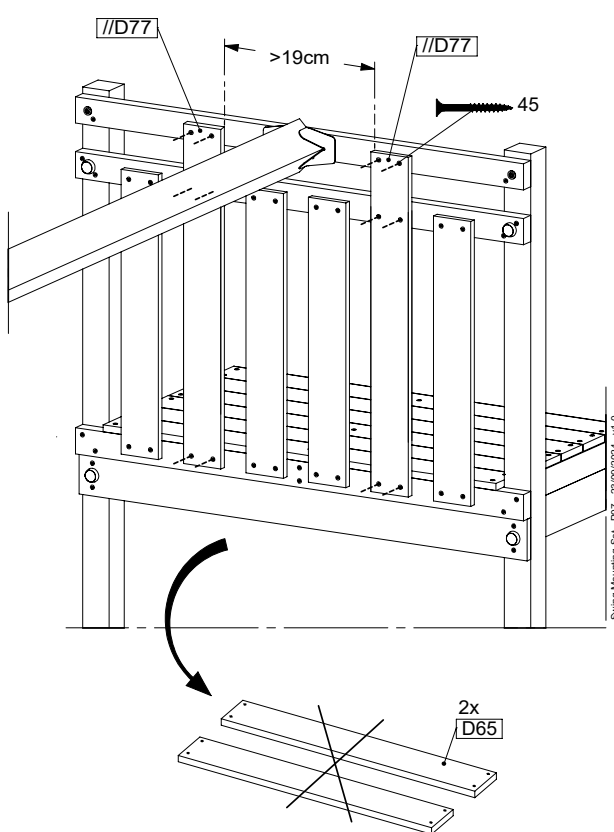
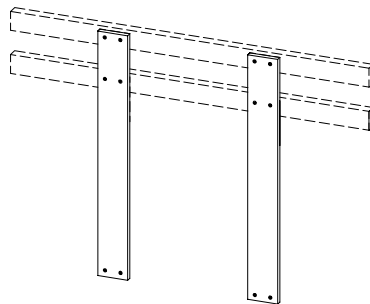




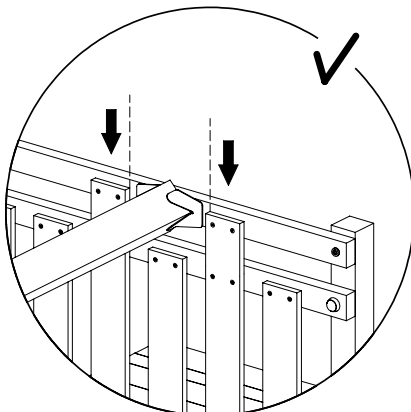
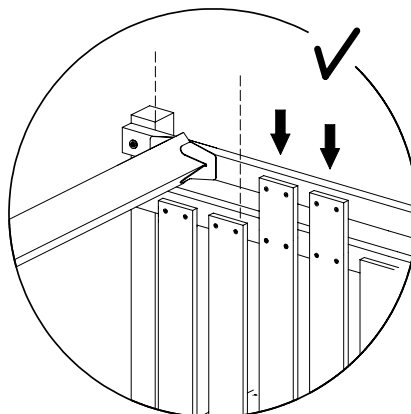
20 UB07a: Swing Mounting Set Uni - PART 2



Swing Mounting Set - P06 - 23/06/2024 - v1.0



Swing Mounting Set - P07 - 23/06/2024 - v1.0



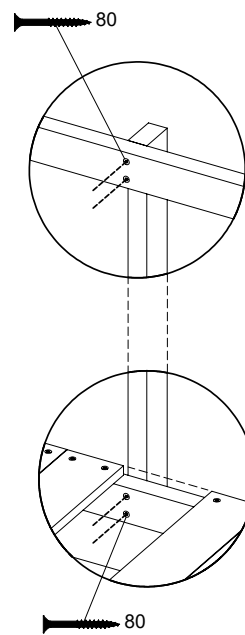
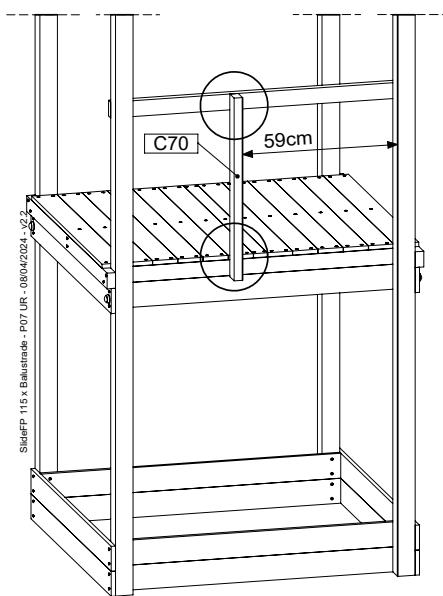
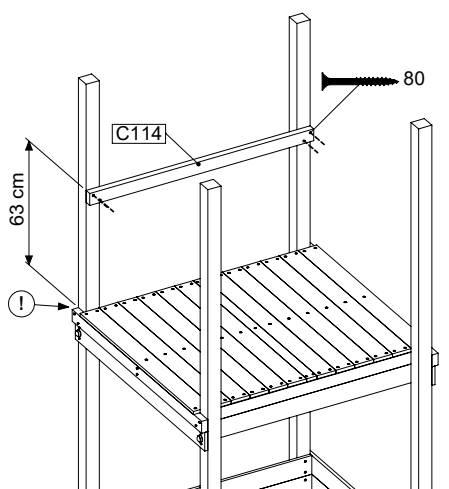
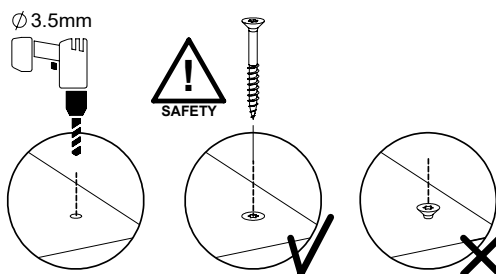
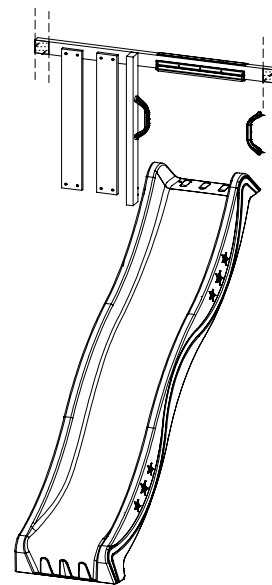
Manual ID: 048_071_2613

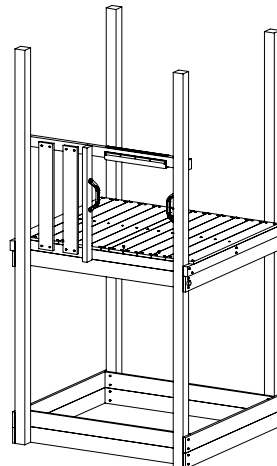
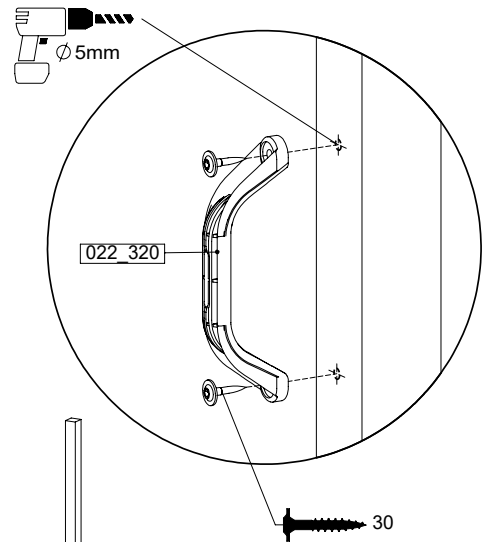
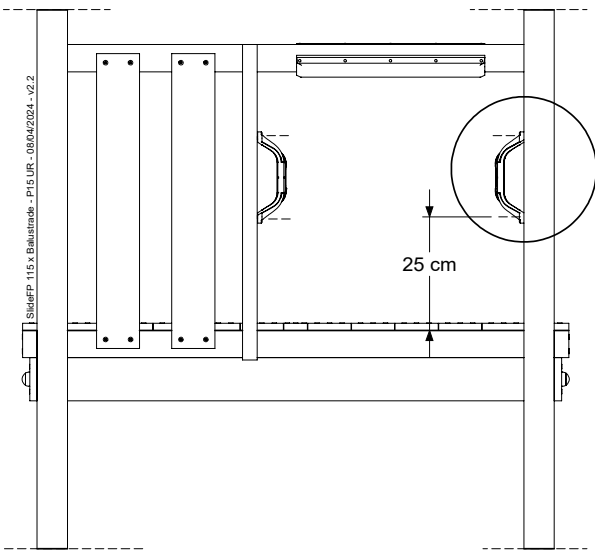
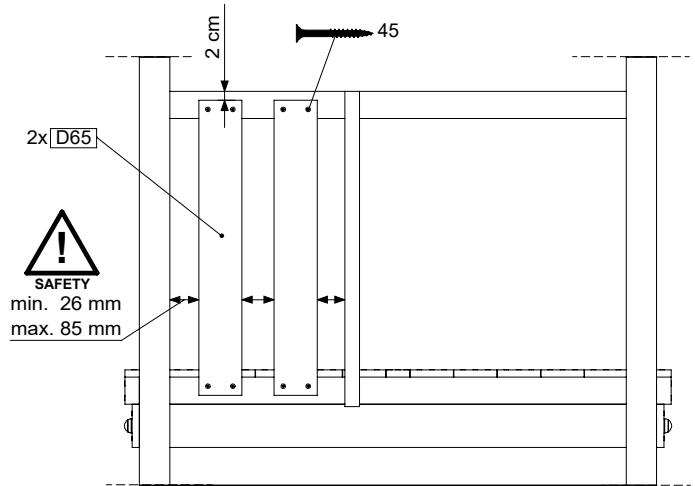
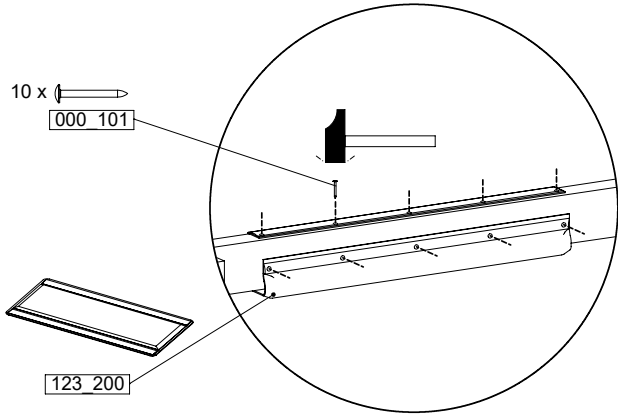
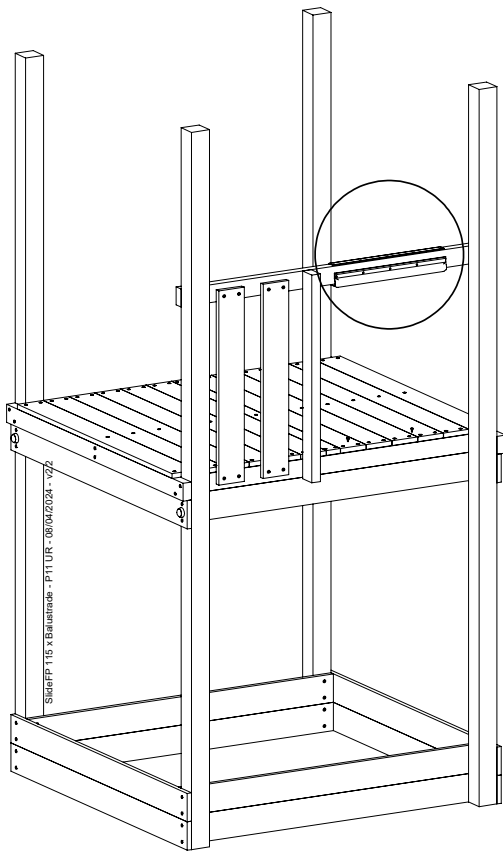
21 SL11a: Slide 115 145 U Right

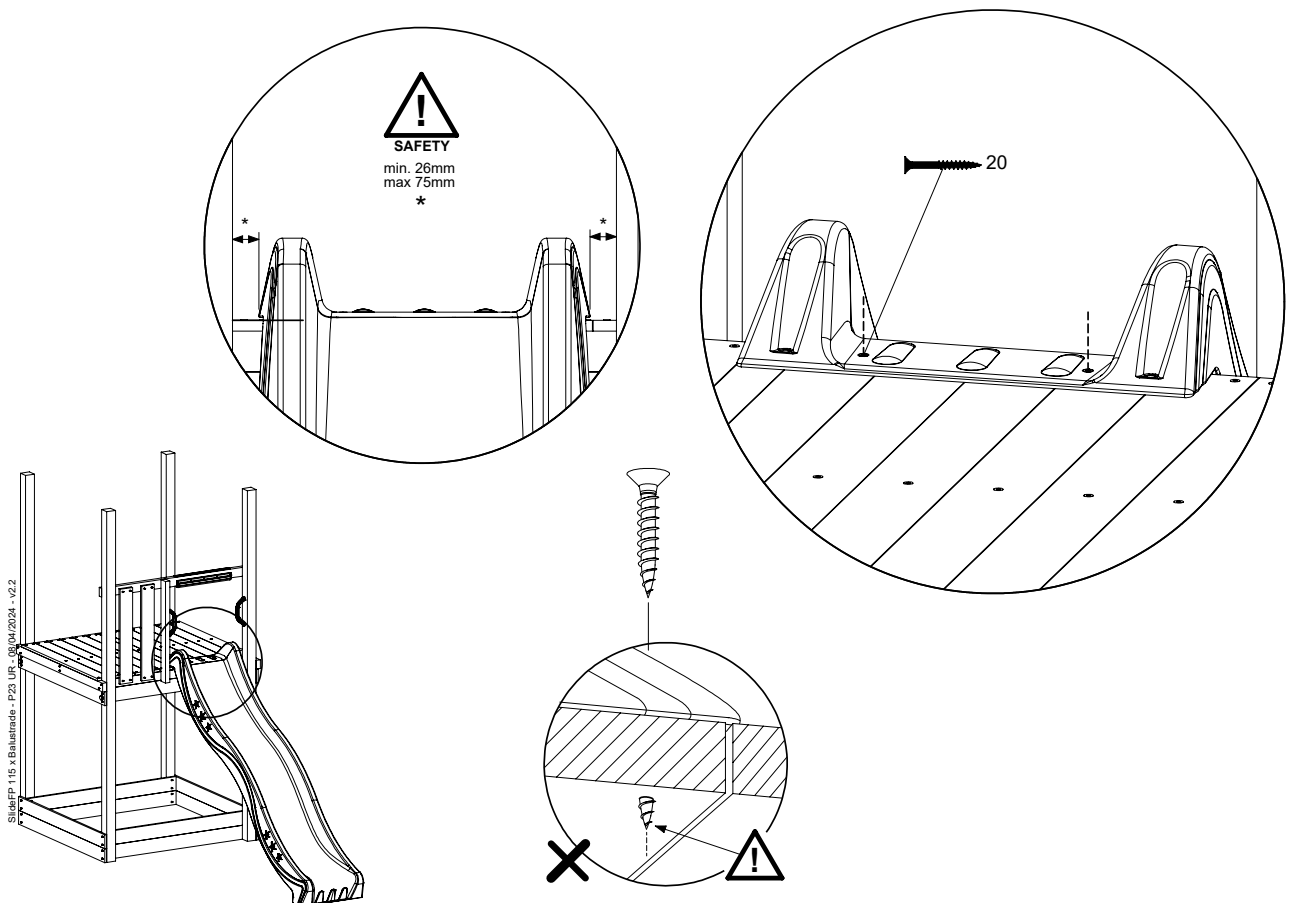
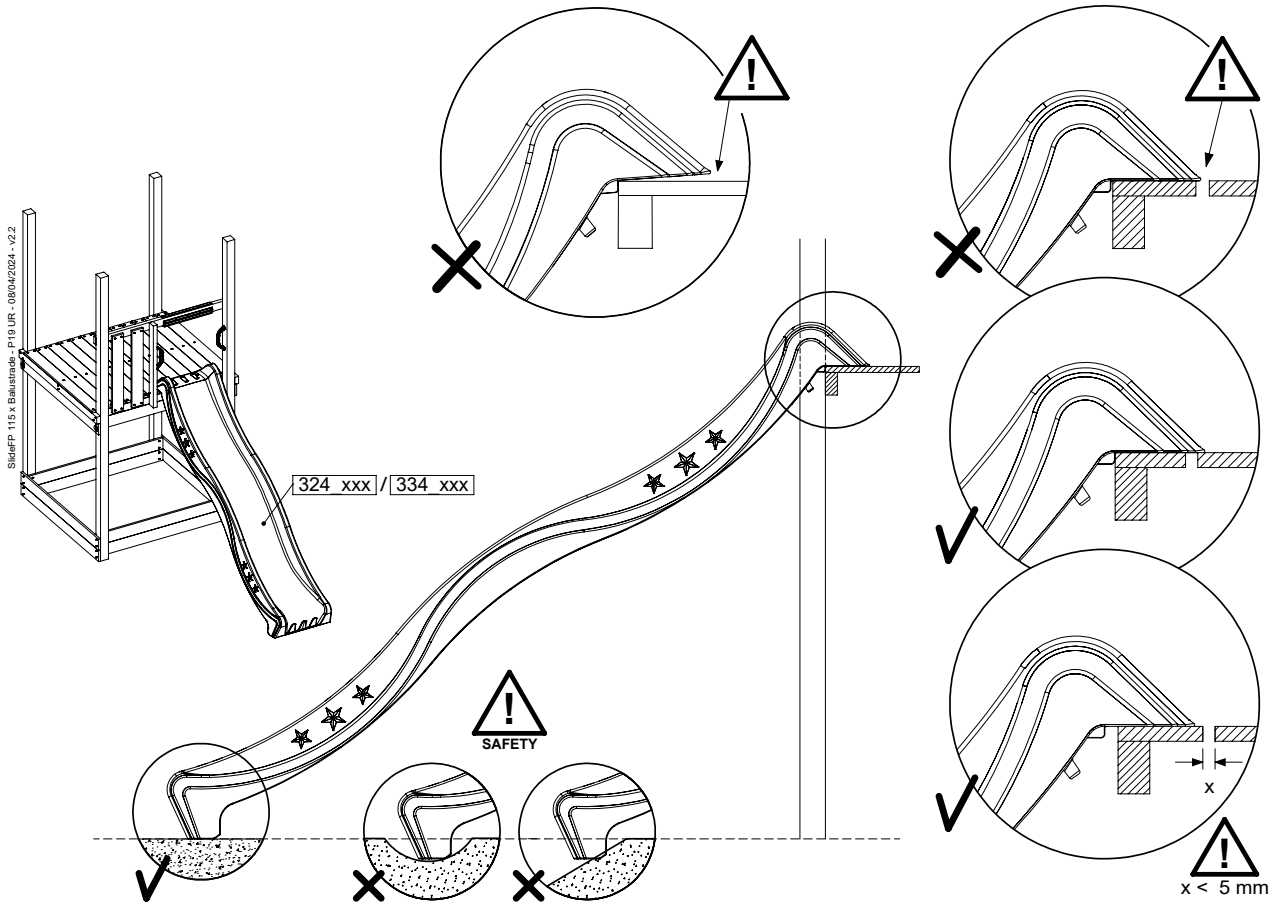
Assembly Packs: 194_107 + 194_101

	PartNo	PartName	QTY.
Hardware + Parts	000_101	Nail Pan Head	10
	002_220	Gap Point Screw T25 - 5x45	8
	002_223	Gap Point Screw T25 - 5x80	8
	002_308	Gap Point Screw T25 - 5x20	2
	120_102	Handgrip set (complete 2x)	1
	123_200	Bumperpad	1
	324_xxx 334_xxx	Wavy Star Slide XL 2200 mm / Wavy Star Slide XXL 2650 mm	1
Timber	C114	Beam 1140 mm	1
	C70	Beam 700 mm	1
	D65	Board 650 mm	2

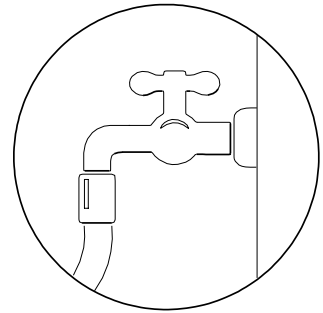
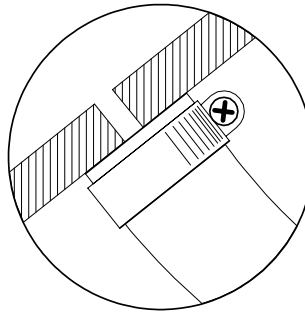
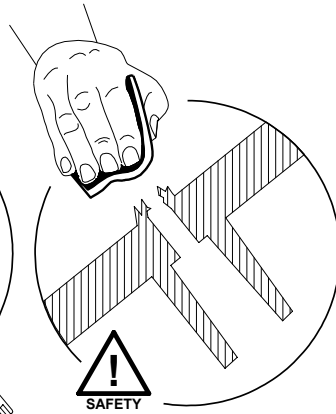
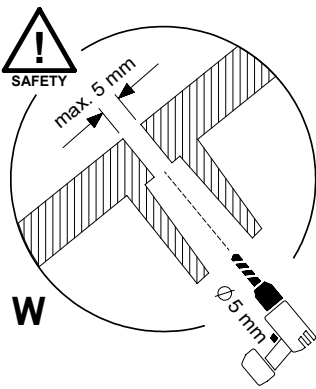
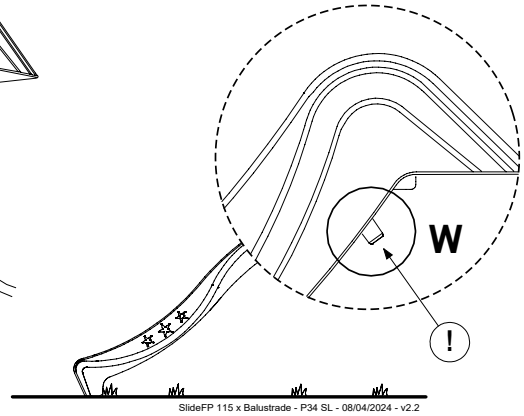
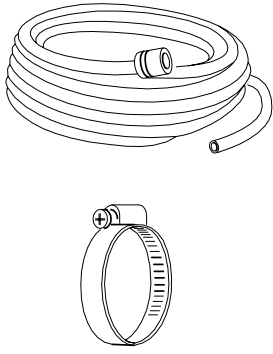
SlideFP 115 x Balustrade - P03 UR - 08/04/2024 - v2.2







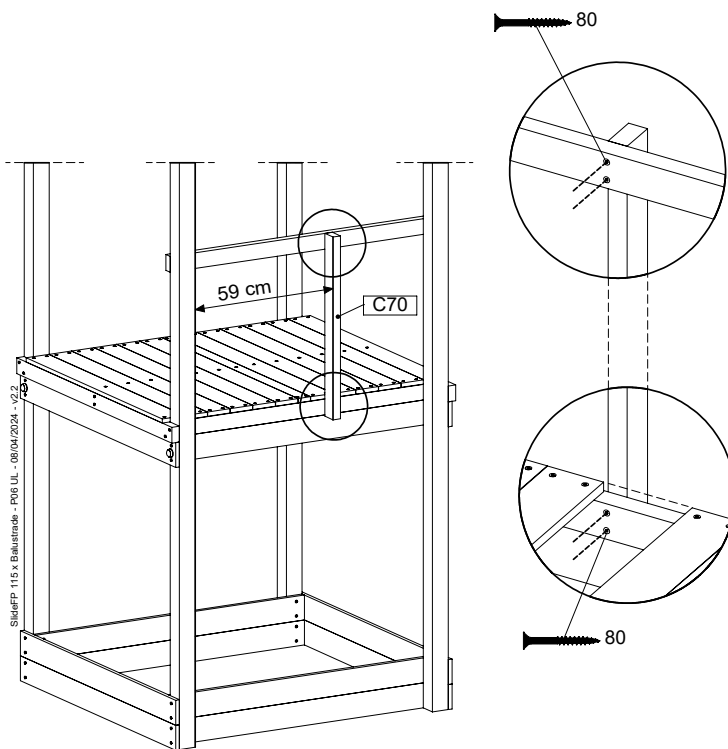
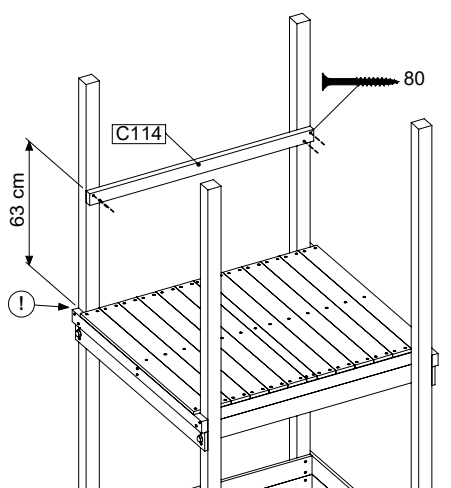
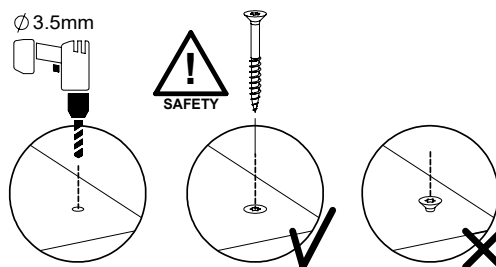
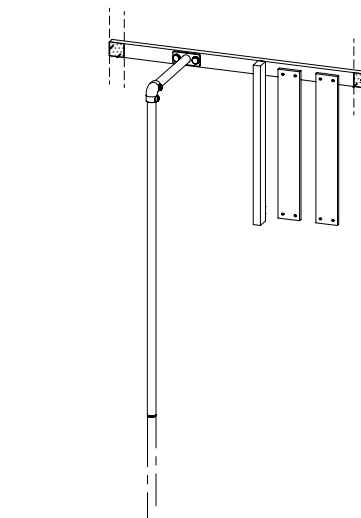
21.3

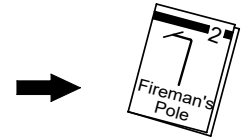
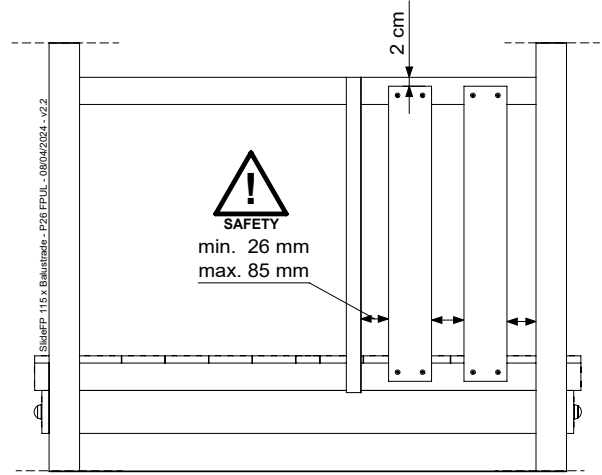
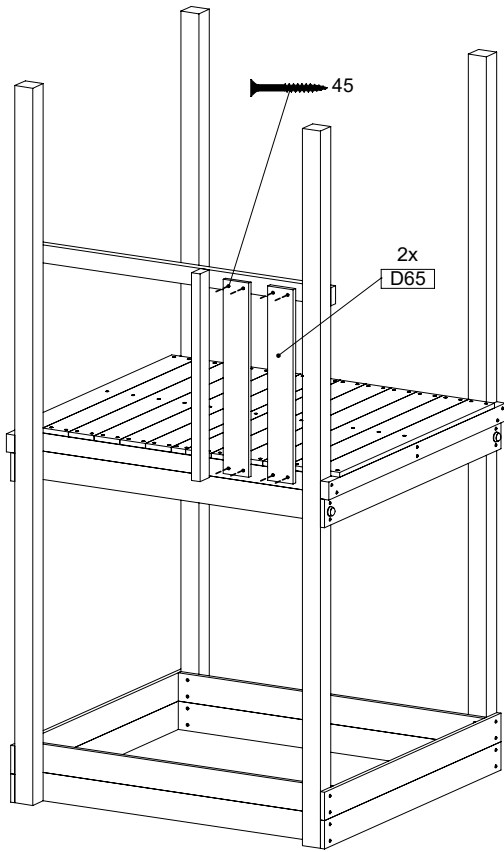


22 FP04a: Fireman's pole 115 Left U 125

Assembly Packs: 201_275 + 194_101

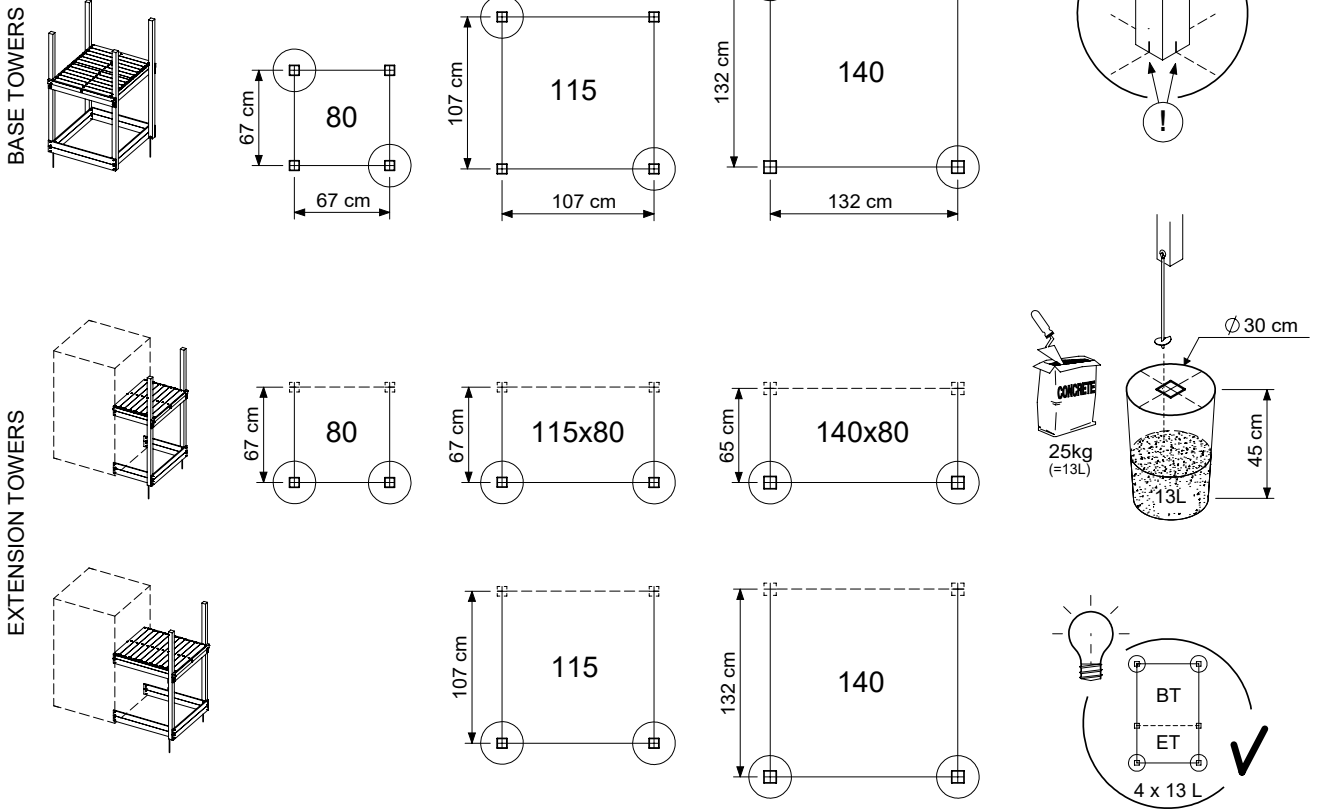
	PartNo	PartName	QTY.
Hardware Pack 194_101	002_220	Gap Point Screw T25 - 5x45	8
	002_223	Gap Point Screw T25 - 5x80	4
Other	201_275	Fireman's Pole kit (incl. 4x Screw T25 5x80)	1
Timber	C70	Beam 700 mm	1
	C114	Beam 1140 mm	1
	D65	Board 650 mm	2



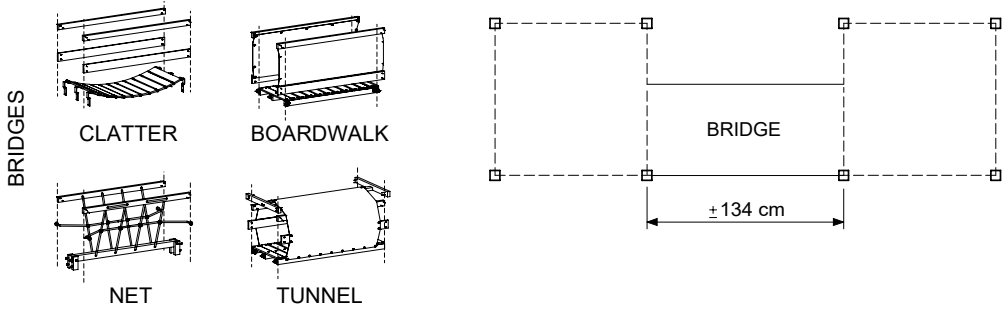


Fireman's Pole (201_275)
040_335 Part 2

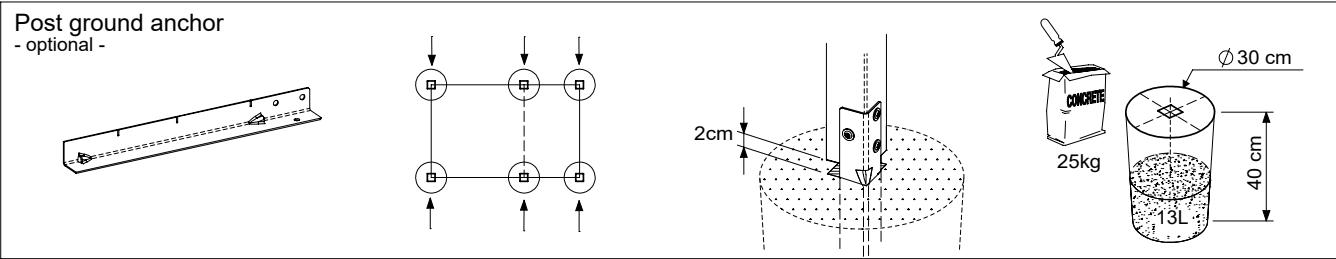
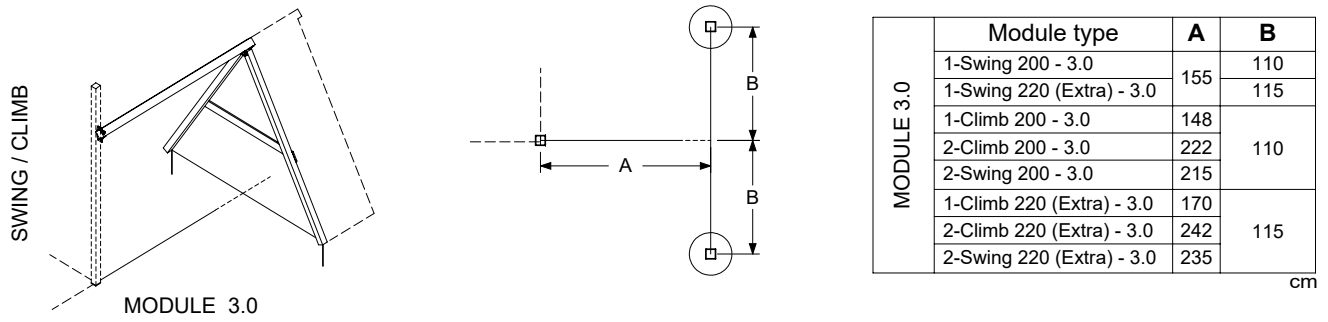
23 GA: Ground Anchors



Ground Anchors Uni. - P03 - 08/04/2025 - V2.2

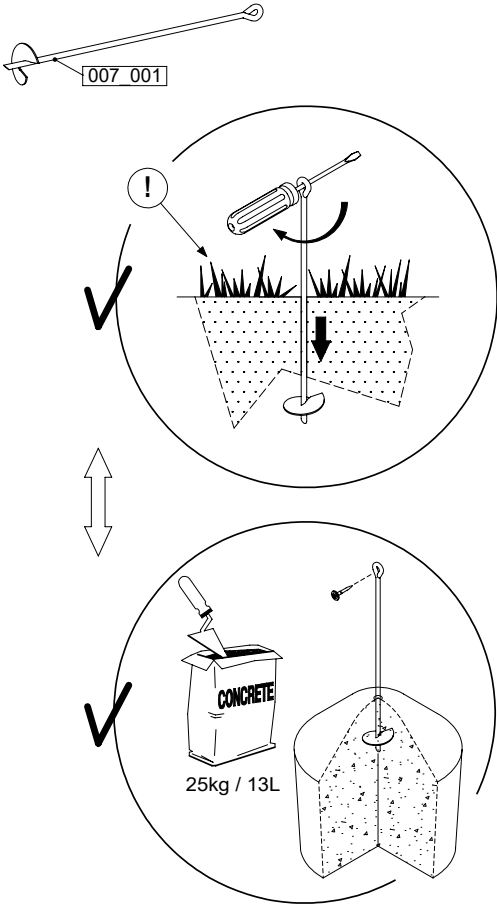


Ground Anchors Uni. - P04 - 08/04/2025 - V2.2

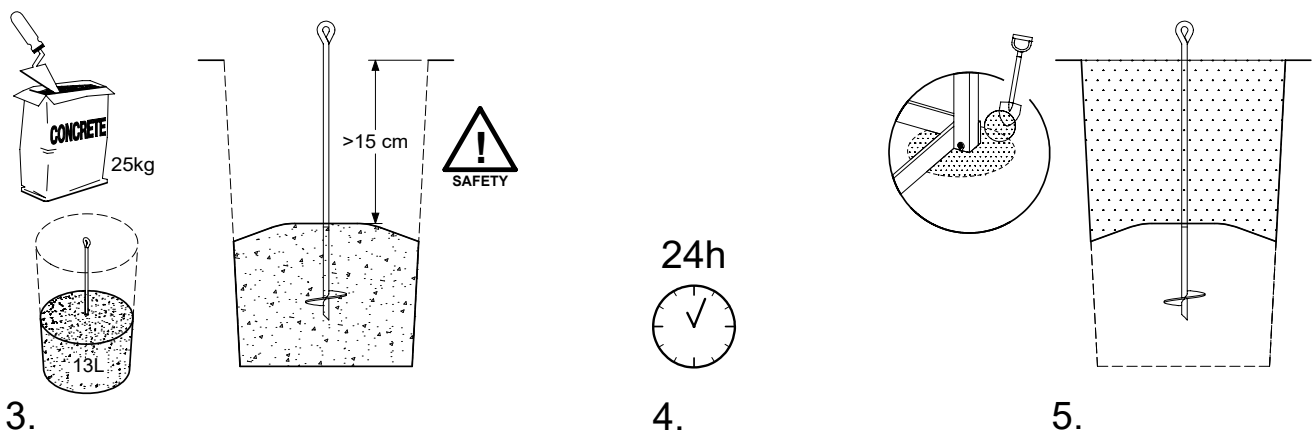
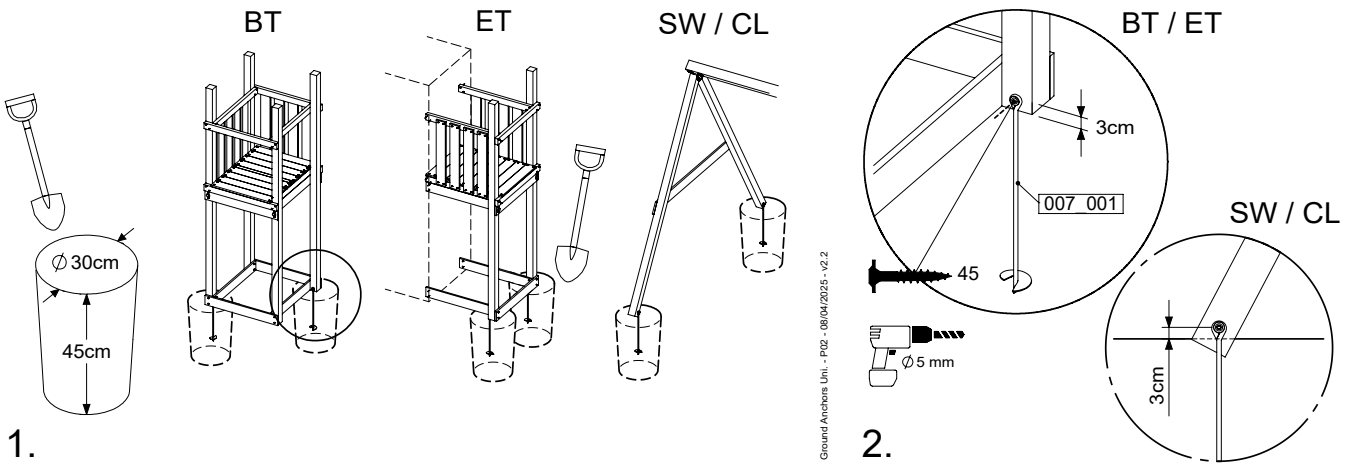
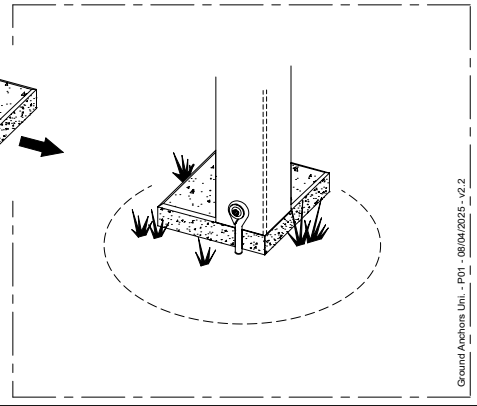
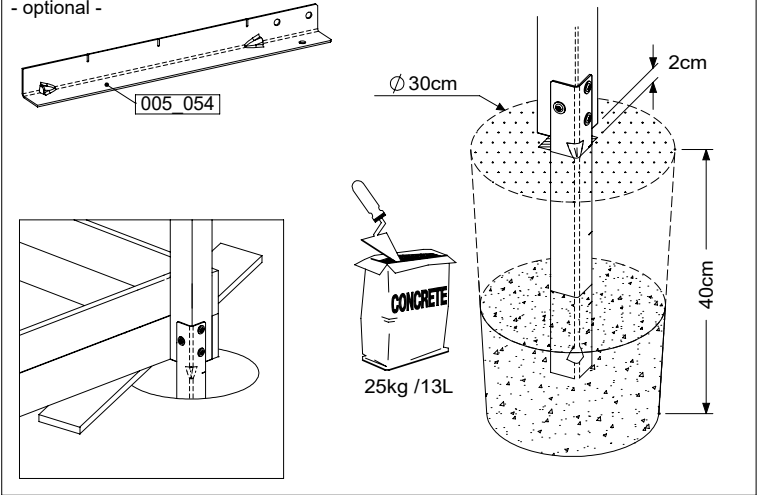


23.1

Screw-in ground anchor



Post ground anchor
- optional -

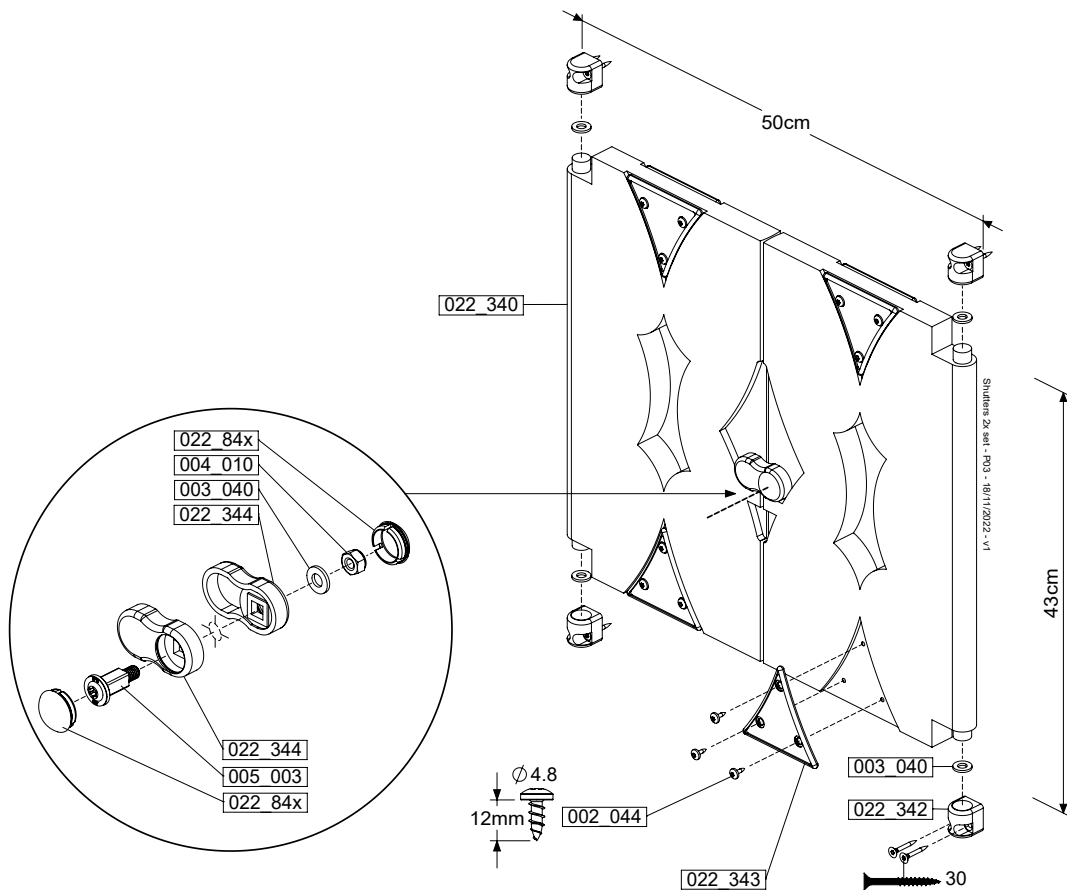
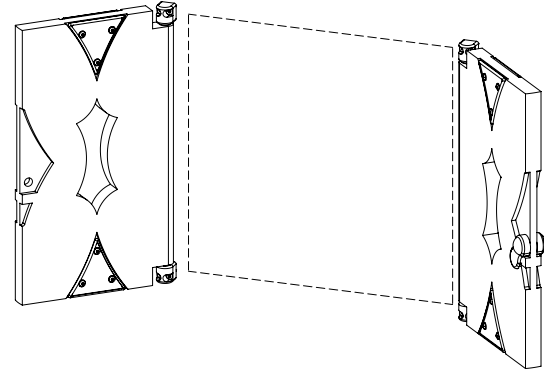


24 AC02a: Shutters

(250_075)

	PartNo	PartName	QTY.
Hardware Pack	002_044	Pan head screw - DIN 7981 - T25 - 4.8x12	24
	002_219	Gap Point Screw T25 - 5x30	8
	003_040	M8 Washer	5
	004_010	M8 Locking Nut	1
	005_003	Lock bolt	1
Other	022_84x	bpc cover	2
	022_340	Shutter	2
	022_342	Hinge	4
	022_343	Decoration plate	8
	022_344	Lock	2

Shutters 2x set - P02 - 18/11/2022 - v1

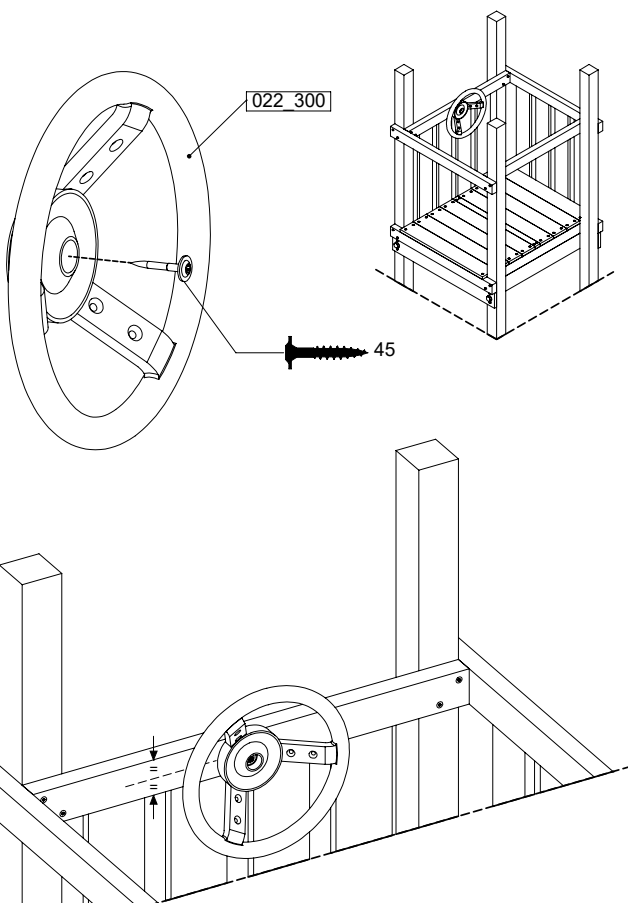
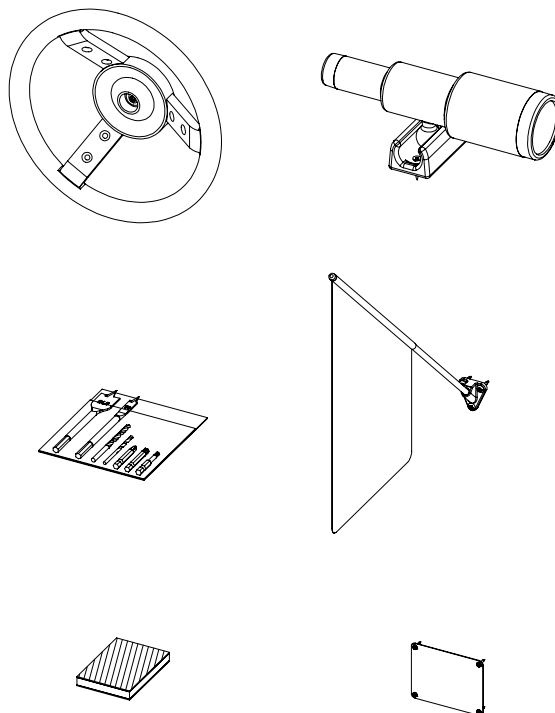


25 AC01a: Accessories

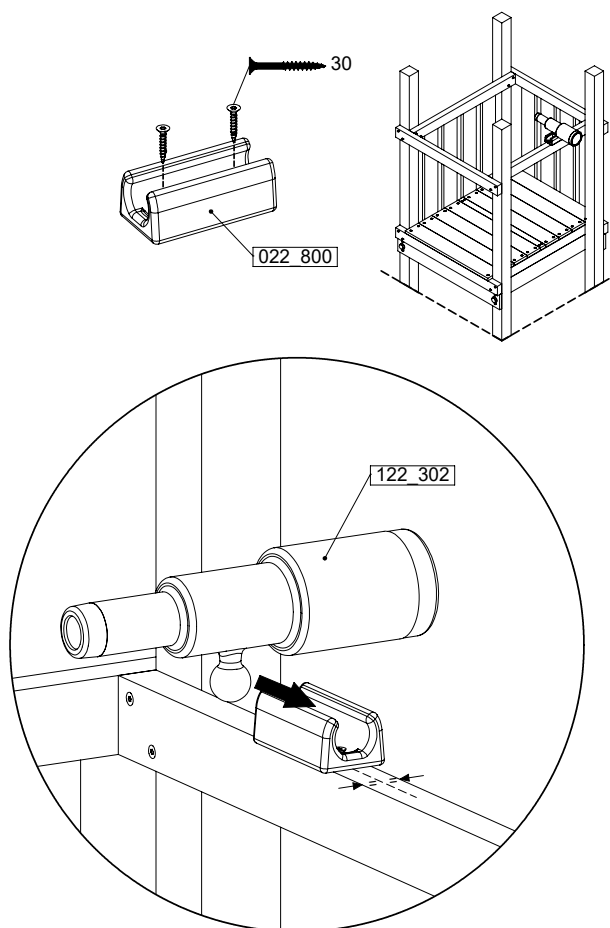
(194_119)

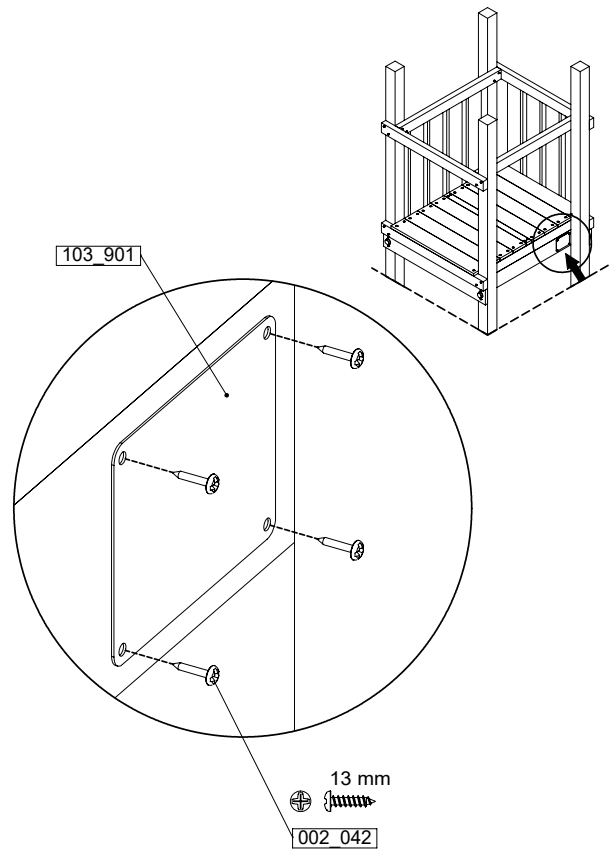
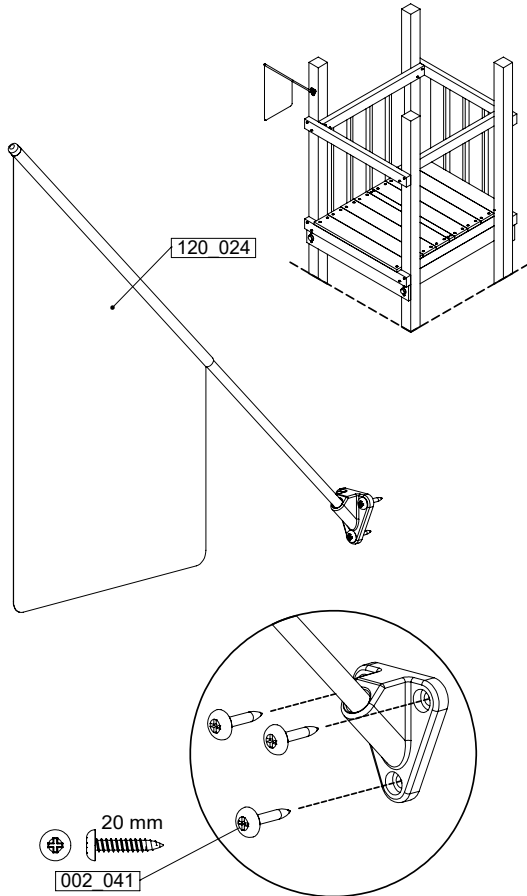
	PartNo	PartName	QTY.
Hardware Pack 100_617	001_406	Stealth Screw 8x45	1
	002_041	Dome head screw 4.5 x 20 mm	3
	002_042	Dome head screw 3.5 x 13mm	4
	002_219	Gap Point Screw T25 - 5x30	2
Other	022_300	Steering Wheel	1
	022_800	Rail P/T 105	1
	022_910	Sandpad	1
	103_901	Logo ID Plate	1
	104_107	Tool Set Climbing Units	1
	120_024	Tower Flag	1
	122_302	Telescope	1

Accessory set - P02 - 24/07/2024 - v5

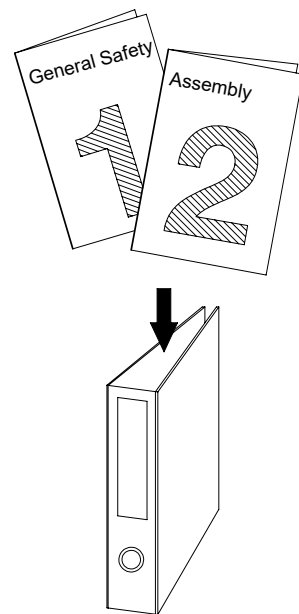
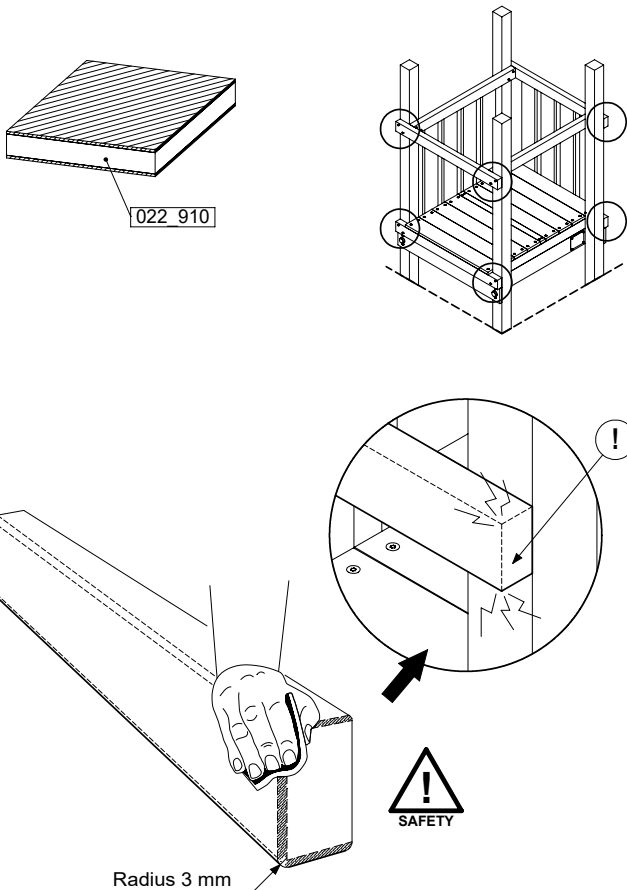


Accessory set - P03 - 24/07/2024 - v5





Accessory set - P04 - 24/01/2024 - 55



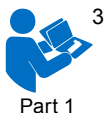
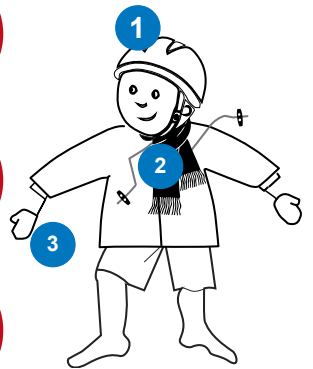
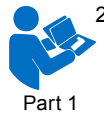
Accessory set - P05 - 24/01/2024 - 55



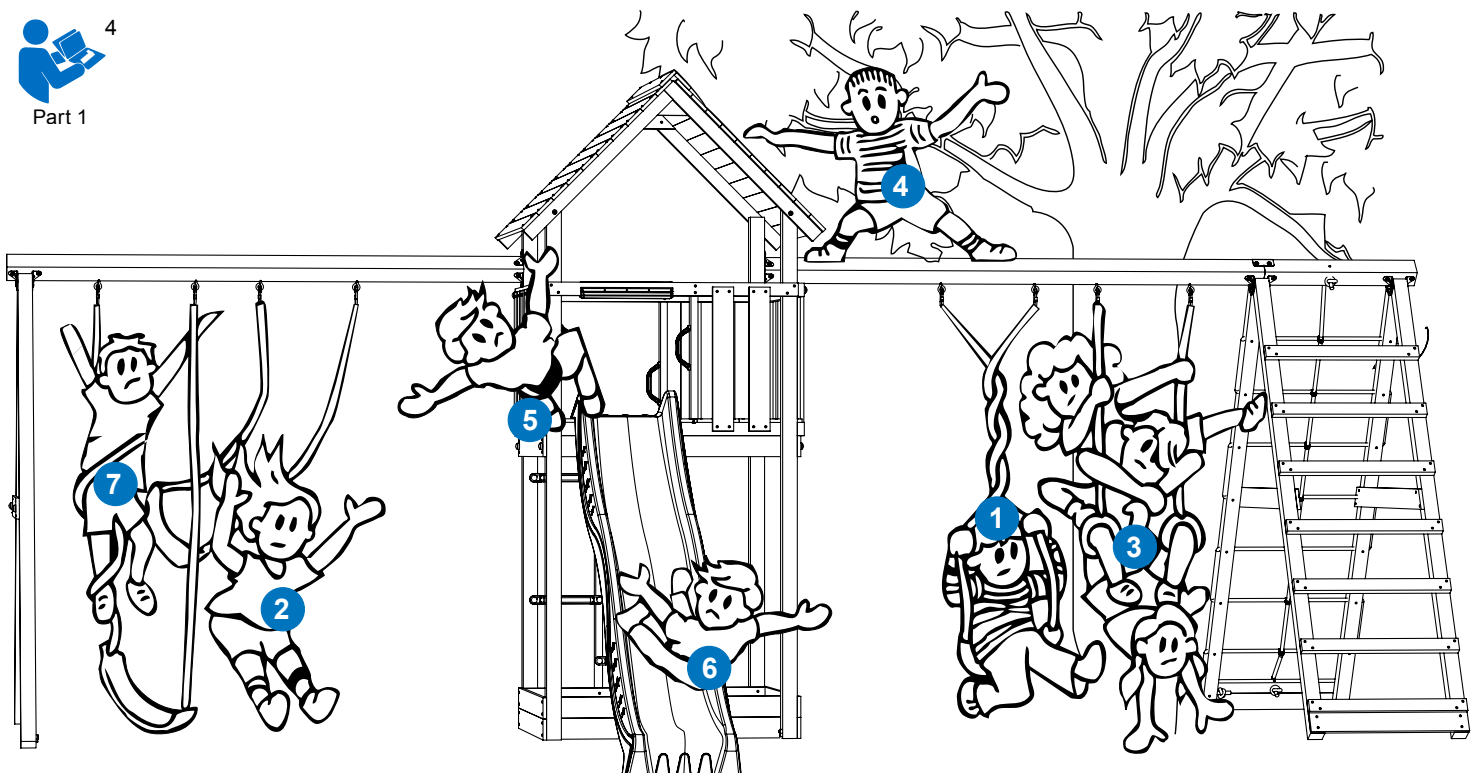
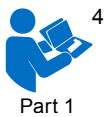
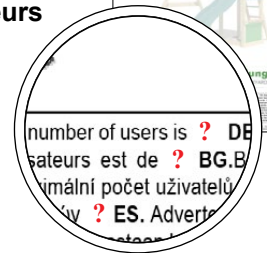
Safe play instructions and safety notices

Sichere Spielanweisungen und Sicherheitswarnungen

Consignes de jeu sécurisé et avis de sécurité



Maximum number of users
 Maximale Benutzerzahl
 Le nombre maximal d'utilisateurs





EU Declaration of Conformity
UK Conformity Assessed
EU-Konformitätserklärung
Déclaration EU de conformité



(in accordance with 768/2008/EC)

Product range: Activity toys for domestic use
Produktfamilie: Aktivitätsspielzeug für den häuslichen Gebrauch
Gamme de produits: Jouets d'activité à usage familial

DoC reference: 20250411_0500

Climbing frames

a. Assemblies for complete climbing frames - Bausätze für komplette Klettergerüste - Assemblages pour structures d'escalade complètes

Playtowers	801_005, 801_009, 801_010, 801_013, 801_025, 801_040, 801_060, 801_070, 801_090, 801_095, 801_100, 801_103, 801_105, 801_110, 801_120, 801_200, 802_202, 802_204, 802_206, 802_208, 803_202, 803_204, 803_206, 803_208, 803_210, 809_802, 809_804
Swings	801_300, 801_601, 801_602
Modules	850_176, 850_177, 850_231, 850_232, 857_101, 857_102, 857_105, 857_106, 857_151, 857_152, 857_157, 857_158, 850_240

b. Assemblies for climbing frames elements - Bausätze für Klettergerüst-Elemente - Assemblages pour éléments de structures d'escalade

Base towers (BT)	BT01a, BT02a, BT03a, BT11a, BT14a, BT15a, BT20a
Extension towers (ET)	ET01a, ET02a, ET05a, ET06a, ET07a, ET08a, ET09a, ET10a, ET11a, ET12a, ET13a, ET14a, ET15a, ET16a, ET17a, ET18a, ET19a, ET20a, ET22a, ET23a, ET27a, ET28a, ET35a, ET29a, ET39a, ET40a
Veranda (VD)	VD01a, VD02a, VD03a, VD04a, VD05a
Bridges (CB, NB, BB, TB)	CB01a, CB01b, NB01a, BB01a, BB02a, TB01a, TB02a, TB03a, TB04a
Roofs (RF)	RF01a, RF21a, RF02a, RF03a, RF04a, RF05a, RF06a, RF20a, RF02b, RF03b, RF28a, RF07a, RF08a, RF22a, RF09a, RF23a, RF11a, RF12a, RF16a, RF07b, RF12b, RF08b, RF22b, RF09b, RF23b, RF11b, RF29a, RF14a, RF24a, RF15a, RF25a, RF18a, RF17a, RF18b, RF14b, RF24b, RF15b, RF25b
Balustrade (BL, BF)	BL01a, BL02a, BL11a, BL12a, BL21a, BF25a, BF26a, BF27a, BF28a, BL03a, BL04a, BL13a, BL14a, BF01a, BF02a, BF03a, BF04a, BF05a, BF06a, BF07a, BF08a, BF01b, BF02b, BF03b, BF04b, BF05b, BF06b, BF07b, BF08b, BL05a, BL06a, BL07a, BL08a, BL09a, BL10a, BL15a, BL16a, BF21a, BF22a, BF23a, BF24a, BF21b, BF22b, BF23b, BF24b
Playhouse (PH)	PH03a, PH04a, PH05a, PH06a, PH10a, PH11a, PH40a, PH41a, PH12a, PH13a, PH14a, PH15a, PH42a, PH43a, PH44a, PH45a, PH16a, PH17a, PH18a, PH19a, PH30a, PH31a, PH16b, PH17b, PH18b, PH19b, PH46a, PH47a, PH48a, PH49a, PH16c, PH17c, PH18c, PH19c, PH46b, PH47b, PH48b, PH49b, PH20a, PH21a, PH22a, PH23a, PH24a, PH25a, PH26a, PH27a, PH32a, PH33a, PH52a, PH53a, PH54a, PH55a, PH56a, PH57a, PH50a, PH51a, PH26b, PH27b, PH26c, PH27c, PH56b, PH57b
Ladder (LA)	LA05a, LA06a, LA01a, LA02a, LA09a, LA03a, LA04a, LA01b, LA02b, LA09b, LA03b, LA04b, LA11a, LA12a, LA13a, LA14a, LA15a, LA16a, LA17a, LA18a, LA31a, LA32a, LA33a, LA34a, LA35a, LA36a, LA37a, LA38a, LA11b, LA12b, LA13b, LA14b, LA15b, LA16b, LA17b, LA18b, LA19a, LA20a, LA21a, LA22a, LA23a, LA24a, LA25a, LA26a, LA43a, LA44a, LA45a, LA46a, LA23b, LA24b, LA25b, LA26b
Two Step Ladder (TS)	TS01a, TS01b, TS02a, TS02b, TS03b, TS22a, TS05a, TS06a, TS07a, TS08a, TS09a, TS10a, TS11a, TS12a, TS15a, TS16a, TS17a, TS18a, TS19a, TS20a, TS21a, TS22a
Rope Ladder (RL)	RL01a, RL02a, RL05a, RL06a, RL07a, RL08a, RL09a, RL10a, RL11a, RL12a, RL15a, RL16a, RL19a, RL20a
Rock wall (RW)	RW01a, RW02a, RW01b, RW02b, RW03b, RW31a, RW32a, RW05a, RW06a, RW07a, RW08a, RW09a, RW10a, RW11a, RW12a, RW05b, RW06b, RW07b, RW08b, RW40a, RW41a, RW40b, RW41b, RW42a, RW43a, RW15a, RW16a, RW17a, RW18a, RW19a, RW20a, RW46a, RW47a
Ramp (RA)	RA01b, RA02b, RA03a, RA04a, RA21a, RA05a, RA06a, RA07a, RA08a, RA05b, RA06b, RA07b, RA08b, RA11a, RA12a, RA09b, RA10b, RA11b, RA12b
Net (NA, NS)	NA01a, NA02a, NS01a, NS02a, NS03a, NS21a, NA04a, NA05a, NS04a, NS05a, NS06a, NS07a, NA08a, NA09a, NS08a, NS09a
Boat (BO)	BO01a
Market (MT) & Target Canvas (TC)	MT01a, MT02a, TC01a, TC02a, MT01b, MT02b, TC01b, TC02b, MT05a, MT06a, MT11a, MT12a
Picnic (PC)	PC01a, PC01b, PC05a, PC06a, PC09a, PC10a
Gymnastics bar (GY)	GY01a
Fireman's pole (FP)	FP01a, FP02a, FP04a, FP05a, FP06a, FP07a, FP23a, FP24a, FP25a, FP26a, FP27a, FP28a
Slides (SL)	SL01a, SL02a, SL03a, SL06a, SL07a, SL08a, SL09a, SL10a, SL11a, SL12a, SL13a, SL26a, SL27a, SL28a, SL29a
Swing (SM)	SW17a, SW21a, SW18a, SW22a, SW19a, SW23a, SW01a, SW05a, SW02a, SW06a, SW03a, SW07a, SW09a, SW13a, SW10a, SW14a, SW11a, SW15a
Climb (CL)	CL17a, CL21a, CL18a, CL22a, CL19a, CL23a, CL01a, CL05a, CL02a, CL06a, CL03a, CL07a, CL09a, CL13a, CL10a, CL14a, CL11a, CL15a
Universal Beam (UB)	UB01a, UB04a, UB02a, UB05a, UB03a, UB06a, UB07a, UB08a
Accessories (AC)	AC40a, AC30a, AC31a, AC32a, AC33a, AC01a, AC05a, AC07a, AC03a, AC04a, AC06a, AC23a, AC22a, AC24a, AC21a, AC25a, AC02a, AC09a, AC08a, AC10a

Construction packages

a. Assembly kits for complete climbing frames - Bausätze für komplette Klettergerüste - Kits de construction pour structures d'escalade complètes

Playtowers	401_015, 401_080, 401_125, 402_201, 402_202, 402_204, 402_206, 402_208, 403_202, 403_204, 403_206, 403_208, 403_210, 409_802, 409_804
Swings	401_300, 401_600
Modules	457_005, 457_102, 457_103, 457_106, 457_107, 457_205

b. Assembly packs for climbing frames elements - Baupakete für Klettergerüst-Elemente - Packs de construction pour éléments de structures d'escalade

Sub assemblies	194_002, 194_003, 194_004, 194_006, 194_007, 194_008, 194_009, 194_010, 194_011, 194_100, 194_101, 194_102, 194_103, 194_104, 194_105, 194_107, 194_108, 194_109, 194_110, 194_111, 194_112, 194_113, 194_114, 194_115, 194_116, 194_117, 194_118, 194_119, 194_300, 194_308, 194_312, 194_500, 194_501, 194_508, 194_510, 194_802, 194_804, 194_809, 194_810, 194_811, 194_812
----------------	---

Accessories and components - Zubehör und Komponenten - Accessoires et composants

Slides XL	324_100, 324_200, 324_300, 324_400, 324_500, 324_600
Slides XXL	334_100, 334_200, 334_300, 334_400, 334_500, 334_600
Fireman's pole	201_275
Climbing	201_060, 201_273
Imagination	201_280, 201_285, 201_290, 201_295, 202_473, 450_310, 450_320, 450_330
Swinging	250_001, 250_013, 250_025, 250_034, 250_053
Functional	123_220, 123_222, 123_230, 201_115, 201_220, 201_250, 201_260, 201_270, 202_620, 202_621, 202_622, 202_623, 202_624, 202_625, 202_626, 202_627, 202_628, 202_629, 202_824, 250_060, 250_065, 250_070, 250_075

Applicable EU and UK directives, regulations and standards

General directives

- EU Product Safety Regulation (GPSR 2023/988/EC)
- UK General Product Safety Regulations (GPSRs SI 2005/1803)
- EU Reach Directive 1907/2006
- EU Accessibility Act (EAA 2019/882)
- AfPS GS 2019:01 PAK

Toy directives

- EU Toys Safety Directive (TSD 2009/48/EC)
- UK Toys Safety Regulations 2011 (TSR SI 2011/1881)

Harmonised European and UK toy standard

- Safety of toys (EN 71)
 - Part 1: Mechanical and physical properties (prEN 71-1:2024)
 - Part 2: Flammability (EN 71-2:2020/prA1:2023)
 - Part 3: Migration of certain elements (EN 71-3:2019+A1:2021)
 - Part 8: Activity toys for domestic use (prEN 71-8:2024)

Additional audits

Test reports / Certificate:

TüV Rheinland Product Safety GmbH
Am Grauen Stein, 51105 Köln, Germany
Zertifikat: R 60010766, R 60024578
Prüfbericht: 21115718_003/004/005, 21140630_001/002

Prüfbericht / Zertifikat:

Rapport d'essai / certificate:

Dekra Automobil GmbH
Handwerkstraße 15, 70565 Stuttgart, Germany
Prüfbericht: 340331500_55245585/13-2, 55247432.14-1, 55247432.14-2

Laboratoire National de métrologie et d'essais (LNE)
29 Avenue Roger Hennequin, 78197 Trappes Cedex, France
Revue documentaire: K080196

Design

Product image:

Produktbild:

Image du produit:

Design Code:

x 7 I 7 u D



Production date:

03-07-2025

Declaration

This declaration of conformity is issued solely under the responsibility of the manufacturer, who asserts that the aforementioned products comply with the applicable directives and harmonized standards, provided that installation, assembly, and maintenance are performed in accordance with the instructions supplied.

Diese Konformitätserklärung wird ausschließlich unter der Verantwortung des Herstellers ausgestellt, der erklärt, dass die genannten Produkte den geltenden Richtlinien und harmonisierten Standards entsprechen, vorausgesetzt, dass Installation, Montage und Wartung gemäß den bereitgestellten Anweisungen durchgeführt werden.

Cette déclaration de conformité est émise uniquement sous la responsabilité du fabricant, qui affirme que les produits mentionnés ci-dessus sont conformes aux directives applicables et aux normes harmonisées, à condition que l'installation, le montage et l'entretien soient réalisés conformément aux instructions fournies.

Manufacturer details

Jungle Gym B.V.
P.O. Box 75083
1070 AB Amsterdam
Netherlands
www.junglegym.com
info@junglegym.com
+31 85 44 44 100

Jungle Gym
BACKYARD PLAYGROUNDS
— since 1988 —

Amsterdam, June 25th, 2025

On behalf of the manufacturer
Jungle Gym B.V.


Paul Schmit
CEO