

Assembly instructions

Activity toy to be assembled by adults for outdoor domestic use.

Montageanleitung

Spielgerät, das von Erwachsenen zusammengebaut werden muss, für den häuslichen Außenbereich.

Instructions de montage

Jouet d'activité à assembler par des adultes pour une utilisation extérieure familial.

2

PART

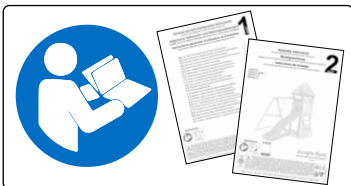
Design code: **YZYpbH**

Product name: **Jungle Pavillon 3.0**

Product number: **211422**



OWNER MANUAL







3D VIEW

Jungle Gym

BACKYARD PLAYGROUNDS

since 1988

<p>Assembly time</p>  <p>9.0 hours by 2 adults v2711</p>	<p> EN. Warnings. Only for domestic use. Maximum number of users is 9. DE. Achtung. Nur für den Hausgebrauch. Maximale Benutzerzahl: 9. FR. Attention. Réserve à un usage familial. Le nombre maximal d'utilisateurs est de 9. BG. Внимание. За употреба само в домашни условия. Максималният брой потребители е 9. CS. Varování. Jen pro domácí použití. Maximální počet uživatelů je 9. DA. Advarsel. Kun til privat brug. Maksimum antal brugere er 9. EL. Προειδοποίησης. Μόνο για οικιακή χρήση. Μέγιστος αριθμός χρηστών 9. ES. Advertencias. Sólo para uso doméstico. Número máximo de usuarios: 9. ET. Hoiatused. Ainult koduseks kasutamiseks. Maksimaalne kasutajate arv on 9. FI. Varoitukset. Ainoastaan kotikäyttöön. Käyttäjää yhteensä enintään 9. HR. Upozorenja. Samo za kućansku uporabu. Maksimalan broj korisnika je 9. HU. Figyelmeztetések. Csak otthoni használatra! A használók max. száma: 9. IS. Varnaðarorð. Eingöngu fyrir einkanotkun í heimahúsum og á einkalóum. Hámarksfjöldi notenda er 9. IT. Avvertenze. Solo per uso domestico. Massimo numero di utenti è 9. LT. Įspėjimai. Tik buitiniam naudojimui. Maksimalus naudotojų skaičius 9. LV. Brīdinājumi. Izmantot tikai mājās. Maksimālais lietotāju skaits ir 9. NL. Waarschuwingen. Uitsluitend voor huishoudelijk gebruik. Het maximale aantal gebruikers is 9. NO. Advarsel. Kun for privat bruk. Maksimalt antall brukere er 9. PL. Ostrzeżenia. Wyłącznie do użytku domowego. Maksymalna liczba użytkowników to 9. PT. Avisos. Apenas para uso doméstico. O número máximo de utilizadores é 9. RO. Avertismente. Numai pentru uz domestic. Numărul maxim de utilizatori este 9. SK. Upozornenia. Iba na domáce použitie. Maximálne množstvo osôb je 9. SL. Opozorila. Samo za domačo uporabo. Maksimalno število uporabnikov je 9. SV. Varningar. Endast för hemmabruk. Det maximala antalet användare är 9.</p>	<p>UK CA CE</p>  
---	---	--



Customer service and support Kundendienst und Unterstützung Service clients et support

FAQ



helpdesk.jungle gym.com/help



FAQ

E-mail



info@jungle gym.com

Phone



EU 0031 85 44 44 102

Monday-Friday,
CET 9:00am - 4:00pm
Local phone charges may apply.



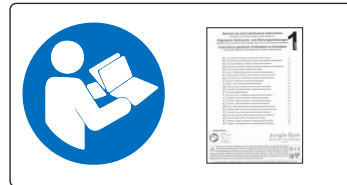
General safety notice Allgemeine Sicherheitswarnung Avertissement de sécurité général



1-5 *

Warning!
Achtung!
Attention!

OWNER MANUAL



PART 1

my.jungle gym.com



1-12 *

Potential hazards
Potenzielle Gefahren
Dangers potentiels

Important: Before assembling and using this product, please carefully read the provided Use- and maintenance instructions (part 1) and assembly instructions (part 2) thoroughly.



1-7 *

Installation notices
Installationsplanung
Planification de l'installation

Wichtig: Lesen Sie vor der Montage und Benutzung dieses Produkts die beiliegende Gebrauchs- und Wartungsanweisungen (Teil 1) und die Montageanleitung (Teil 2) sorgfältig durch.



1-14 *

Assembly instructions
Montageanweisungen
Instructions de montage

Important: Avant de monter et d'utiliser ce produit, veuillez lire attentivement le manuel Instructions d'utilisation et de maintenance (partie 1) et les instructions de montage (partie 2).



1-7 *

Safe play instructions
Sichere Spielanweisungen
Consignes de jeu sécurité



* = Part 1



Preparatory work Vorbereitende Arbeiten Travaux préparatoires

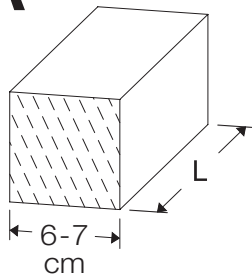


Overview of the total delivery scope
Übersicht über den gesamten Lieferumfang
Aperçu de l'ensemble de la portée de livraison

#	Description	Supplier ID	Sub-assembly ID
1	Base Tower 80_220220_125	790_003	BT03a
1	Base Tower 115_240240_125	792_002	BT11a
1	Extension Tower 11580_220_145 down	792_105	ET11a
1	Roof Timber Tipi 80	790_204	RF04a
1	Roof Timber Gable 115	792_202	RF08a
1	Balustrade 80_U	790_301	BL01a
1	Balustrade 115_T	792_301	BL04a
1	Playhouse 80 U Window	790_313	PH05a
1	Rock wall 115_125 T L x Balustrade	792_401	RW07a
1	Ladder 115_145 T L x Balustrade	792_432	LA17a
1	Ramp 80 T	790_441	RA04a
1	Picnic 115 T	792_503	PC06a
1	Net Bridge 80 uni	790_611	NB01a
1	Slide Frame 115_125 U L x Balustrade	792_901	SL06a
1	Fireman's pole 80 T	790_903	FP02a
1	2- Climb Module 200 3.0	757_112	CL06a
1	Accessories Set	194_119	AC01a
1	Accessories Monkey Bar	250_013	AC22a
1	Accessories Sling Swing	250_001	AC23a
1	Wavy Star Slide XL	324_x00a	324_x00a

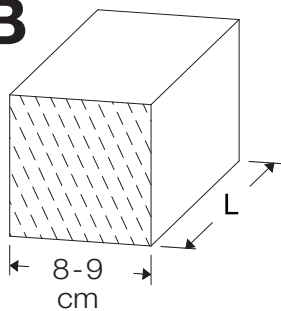
Identifying and inventorying of the individual timber parts
Identifizierung und inventarisieren der der einzelnen Holzteile
Identification et inventorier les pièces en bois individuels

A



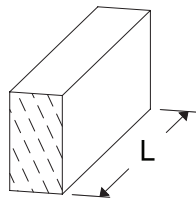
ID	L	#
A141	140 cm - 141 cm	1
A220	219 cm - 220 cm	10
A240	239 cm - 240 cm	4

B



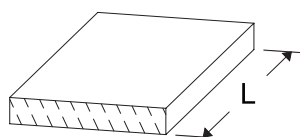
B74	73 cm - 74 cm	1
B220	219 cm - 220 cm	1

C



C37	36 cm - 37 cm	7
C70	69 cm - 70 cm	3
C74	73 cm - 74 cm	24
C84	83 cm - 84 cm	3
C90	89 cm - 90 cm	2
C96	85 cm - 96 cm	2
C114	113 cm - 114 cm	10
C141	140 cm - 141 cm	4
C150	149 cm - 150 cm	2
C154	153 cm - 154 cm	2
C186	185 cm - 186 cm	1

D




D47	46 cm - 47 cm	1
D56	53,5 cm - 56 cm	2
D60	59 cm - 60 cm	28
D65	64 cm - 65 cm	25
D74	73 cm - 74 cm	37
D100	99 cm - 100 cm	29
D114	113 cm - 114 cm	23
D127	126 cm - 127 cm	24
D141	140 cm - 141 cm	3

Identification, inventorying, and registering of the individual assembly packs
Identifizierung, inventarisieren und registrieren der einzelnen Baupakete
Identification, inventorier et enregistrer les packs de construction individuels

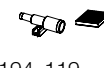


Example

Accessory Set



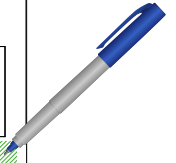
AC

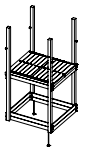

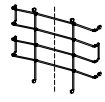


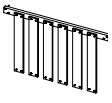
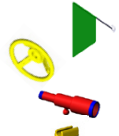
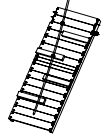



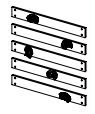



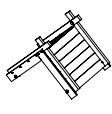
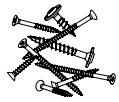
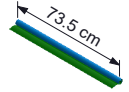



1x

194_119

LOT: 2 7 1 1

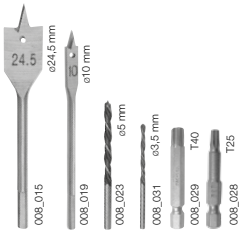


<p>Tower 115</p>  <p>BT ET</p> <p>194_300</p> <p>2x</p> <p>LOT: [][][][]</p>	<p>Fireman's Pole</p>  <p>FP</p> <p>201_275</p> <p>1x</p> <p>LOT: [][][][]</p>	<p>Net Pack</p>  <p>NB NA</p> <p>194_009</p> <p>1x</p> <p>LOT: [][][][]</p>	<p>Ladder 145</p>  <p>LA</p> <p>194_004</p> <p>1x</p> <p>LOT: [][][][]</p>	<p>Hardware 01</p>  <p>BL H01</p> <p>194_101</p> <p>4x</p> <p>LOT: [][][][]</p>
<p>Balustrade 140</p>  <p>BL</p> <p>194_501</p> <p>2x</p> <p>LOT: [][][][]</p>	<p>Accessory Set</p>  <p>AC</p> <p>194_119</p> <p>1x</p> <p>LOT: [][][][]</p>	<p>Ramp</p>  <p>RA</p> <p>194_008</p> <p>1x</p> <p>LOT: [][][][]</p>	<p>Monkey Bar</p>  <p>AC</p> <p>250_013</p> <p>1x</p> <p>LOT: [][][][]</p>	<p>Slide XL 2.2m</p>  <p>1x</p> <p>324_x00</p> <p>LOT: [][][][]</p>
<p>Climb Module Kit</p>  <p>CL</p> <p>457_107</p> <p>1x</p> <p>LOT: [][][][]</p>	<p>Rock Wall</p>  <p>RW</p> <p>194_006</p> <p>1x</p> <p>LOT: [][][][]</p>	<p>Sling Swing</p>  <p>AC</p> <p>250_001</p> <p>1x</p> <p>LOT: [][][][]</p>	<p>Tower 80</p>  <p>BT ET</p> <p>194_100</p> <p>1x</p> <p>LOT: [][][][]</p>	<p>Roof Timber 115</p>  <p>RF</p> <p>194_308</p> <p>1x</p> <p>LOT: [][][][]</p>
<p>Roof Timber Tipi 80</p>  <p>RF</p> <p>194_110</p> <p>1x</p> <p>LOT: [][][][]</p>	<p>Hardware 10</p>  <p>H10</p> <p>194_810</p> <p>1x</p> <p>LOT: [][][][]</p>	<p>Canvas 136 x 74cm</p>  <p>73.5 cm</p> <p>123_220</p> <p>1x</p> <p>LOT: [][][][]</p>	<p>Slide Frame</p>  <p>SL</p> <p>194_107</p> <p>1x</p> <p>LOT: [][][][]</p>	

Overview of the contents of the standard included start package
Übersicht über den Inhalt des standardmäßig enthaltenen Startpakets
Aperçu du contenu du pack de démarrage inclus standard



Overview of the bit and drill bit references
Übersicht über die Bit- und Bohrer-Referenzen
Aperçu des références des embouts et des forêts



Overview of all hardware and part references for identification
Übersicht über alle Hardware- und Teile-Referenzen zur Identifizierung
Aperçu de toutes les références de matériel et de pièces pour identification

		#	L			#	L		
<p>ø 5 T-40</p>	<p>8.8</p>	<p>ø 8.0 mm L</p>	001_404	30 mm	<p>ø 3.5 T-25</p>	<p>8.8</p>	<p>ø 5.0 mm L</p>	002_308	20 mm
			001_406	45 mm				002_219	30 mm
			001_411	60 mm				002_220	45 mm
			001_417	80 mm				002_223	80 mm
			001_422	137 mm					
<p>ø 10 T-40</p>	<p>8.8</p>	<p>M8 L</p>	001_102	30 mm	<p>ø 10</p>	<p>8.8</p>	<p>M8 L</p>	004_050	22mm
<p>ø 2.0 mm</p>	<p>8.8</p>	<p>L</p>	000_101	20 mm					
<p>ø 3.5 T-25</p>	<p>8.8</p>	<p>ø 6.3 mm L</p>	002_036	16 mm					
<p>ø 3.5 PH-2</p>	<p>8.8</p>	<p>ø 4.5 mm L</p>	002_041	20 mm				022_845	Yellow
									022_846
<p>ø 3.5 PH-2</p>	<p>8.8</p>	<p>ø 3.5 mm L</p>	002_042	13 mm				022_847	Green
									022_848
<p>ø 3.9 mm PH-2</p>	<p>8.8</p>	<p>ø 3.9 mm L</p>	002_301	40 mm				023_031	White
					<p>ø 3.9 mm PH-2</p>	<p>8.8</p>	<p>ø 3.9 mm L</p>	022_844	
								022_314	
								120_005	White



Complete climbing frame identification and registration

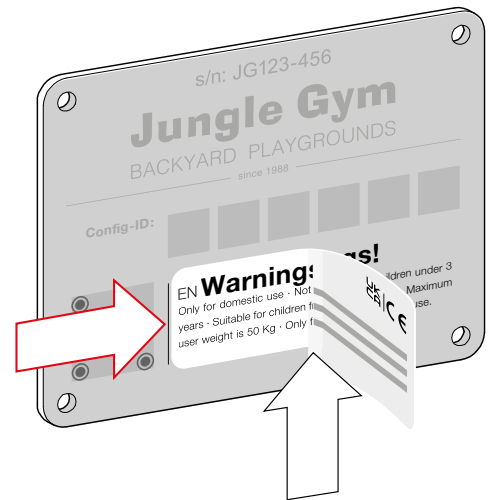
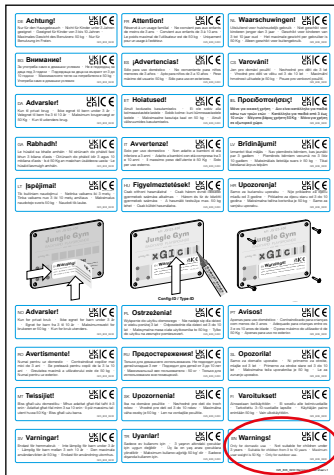
Identifizierung und Registrierung des kompletten Klettergerüsts

Identification et enregistrement de la structure d'escalade complète

Your design code
Ihr Designcode
Votre code de design



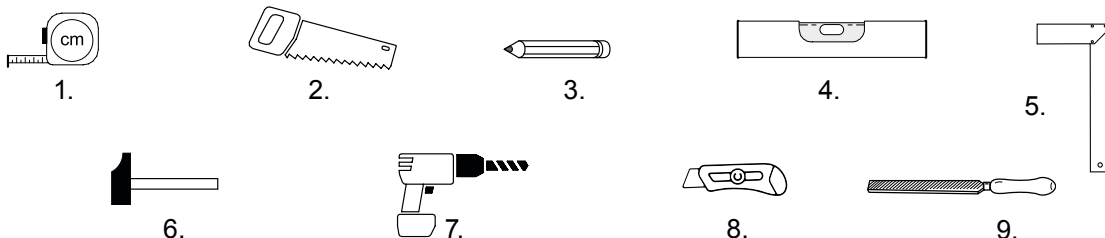
Complete climbing frame identification
Identifizierung des kompletten Klettergerüsts
Identification de la structure d'escalade complète



Required tools and materials

Benötigtes Werkzeug und Materialien

Outils et matériaux nécessaires

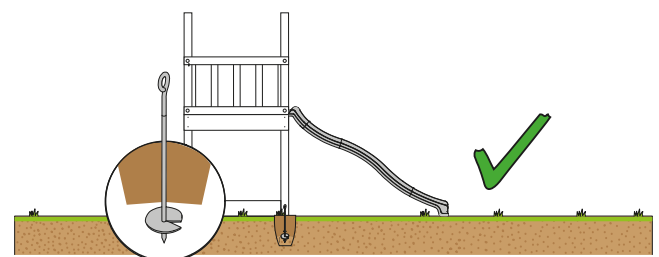
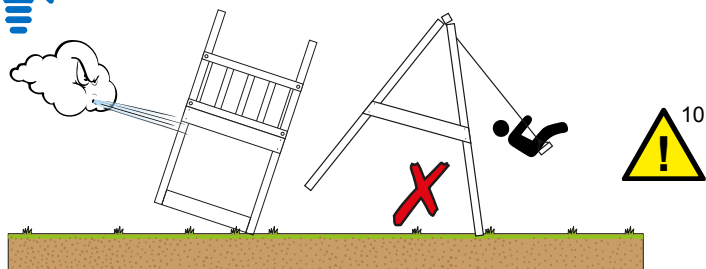
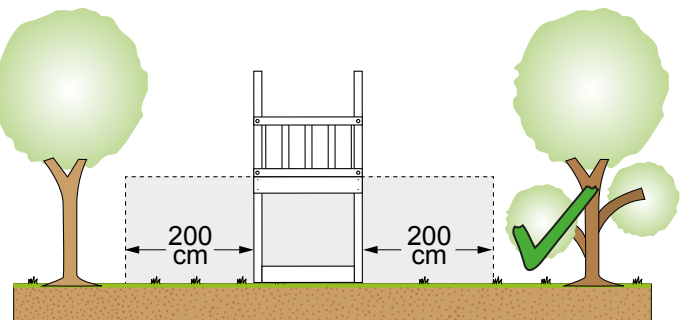
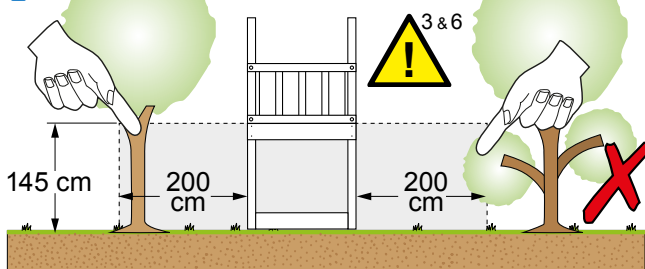
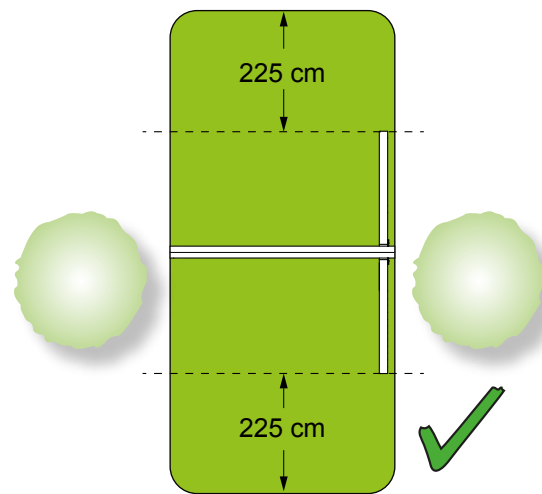
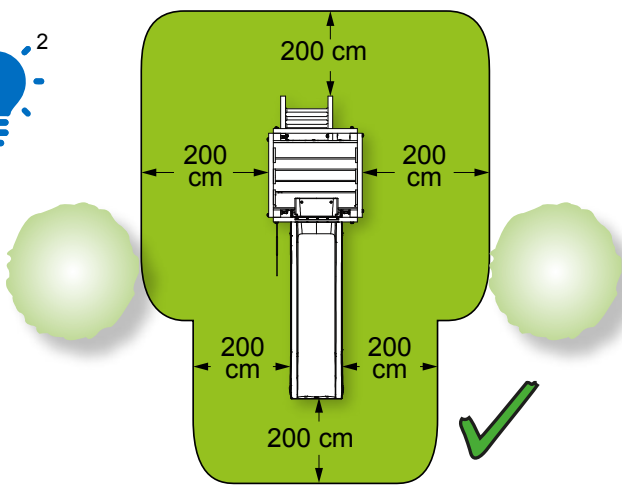
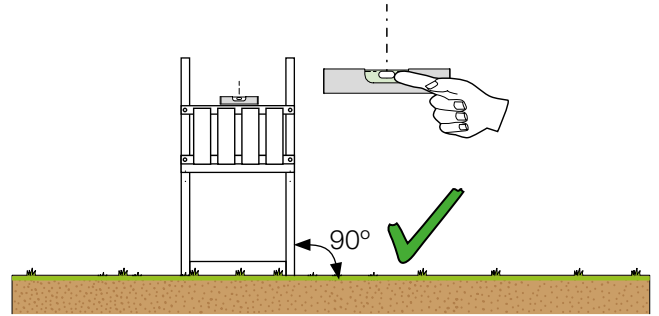
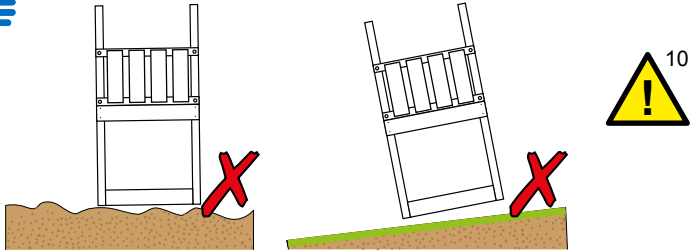


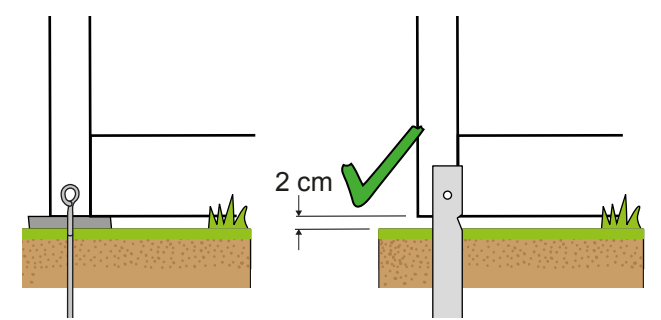
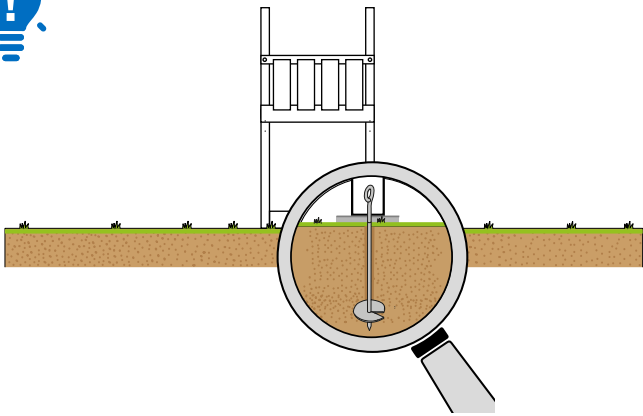
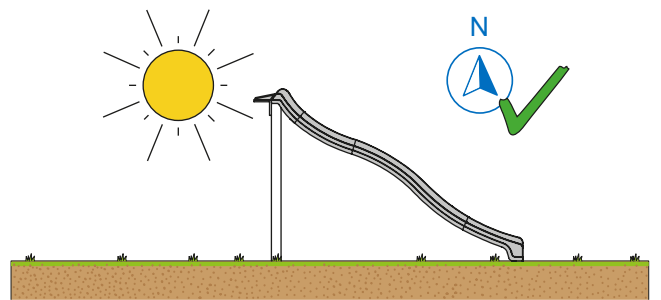
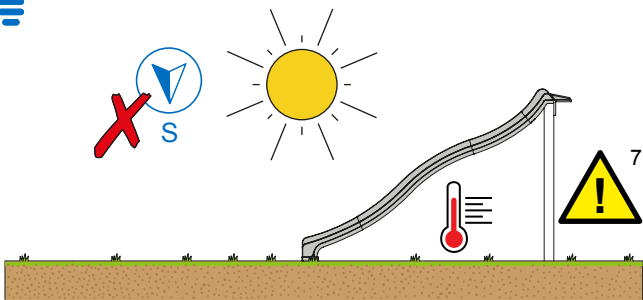
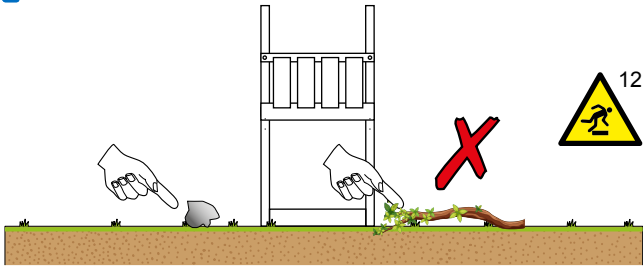


Installation and safety notices

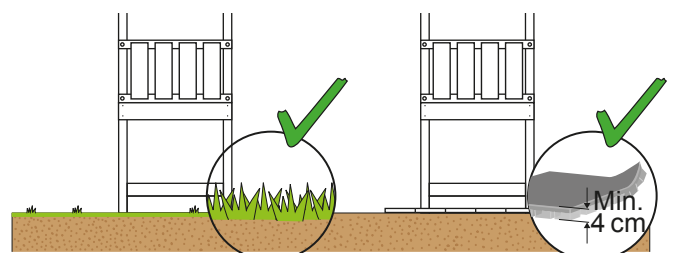
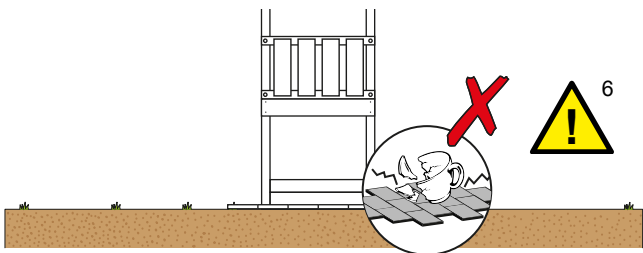
Installationsplanung und Sicherheitshinweise

Planification de l'installation et avis de sécurité





Shock absorbing surfaces Stoßdämpfende Oberflächen Surfaces d'absorption des chocs





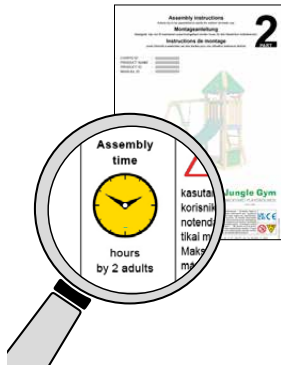
Assembly instructions and safety notices

Montageanweisungen und Sicherheitswarnungen

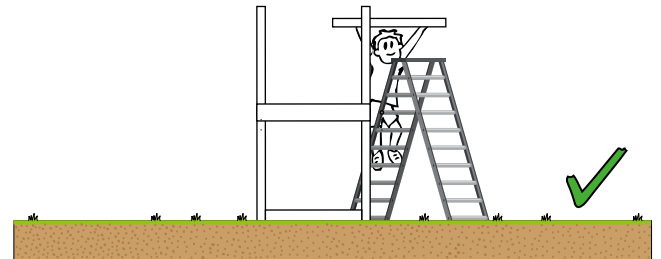
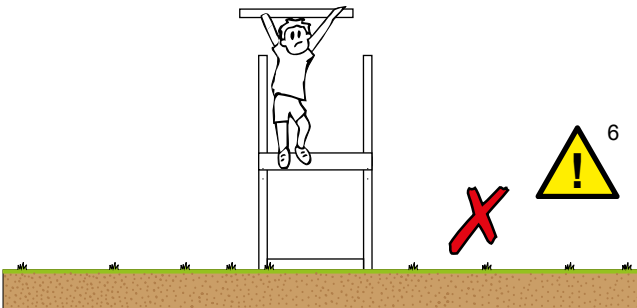
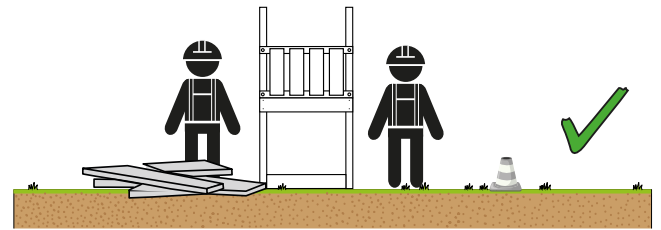
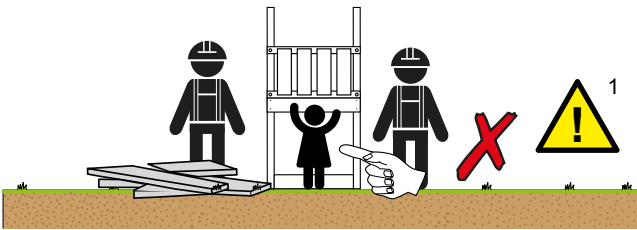
Instructions de montage et avis de sécurité



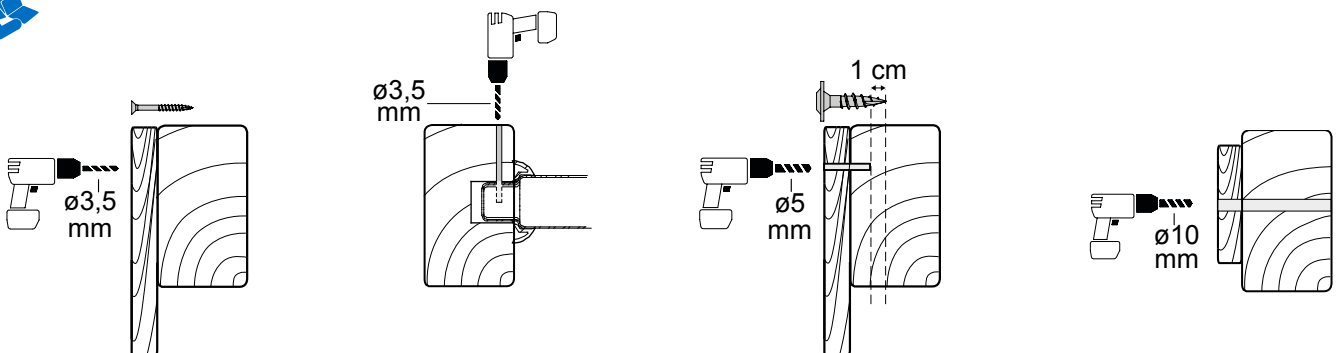
1&2

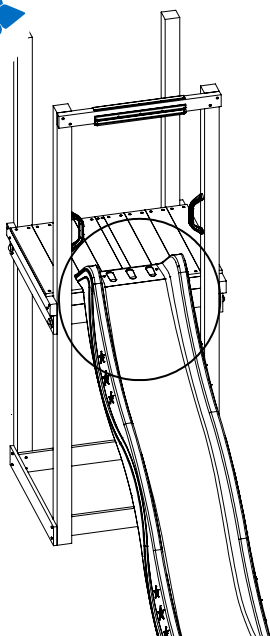
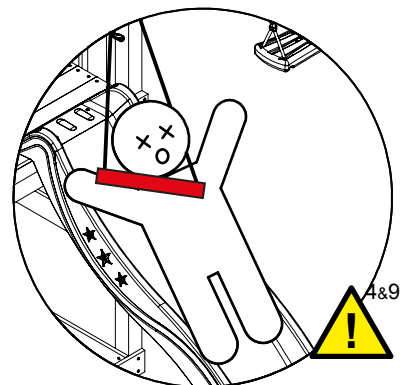
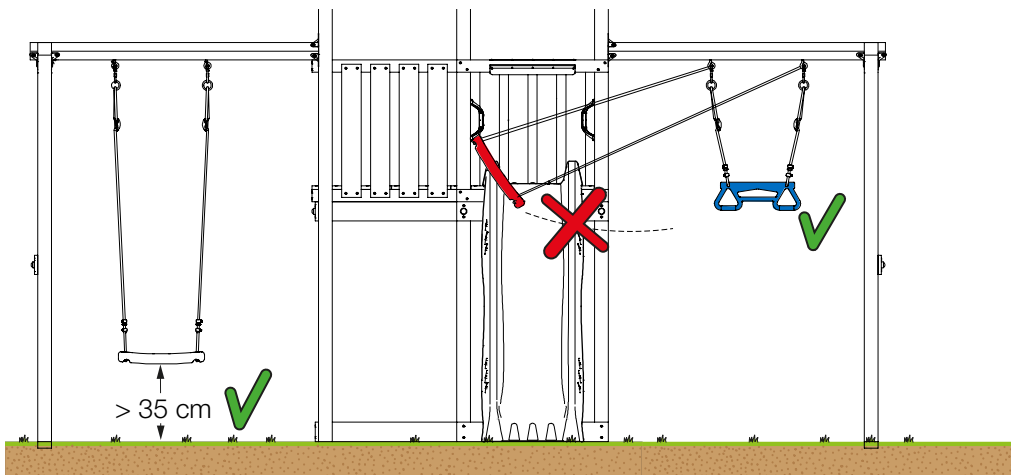
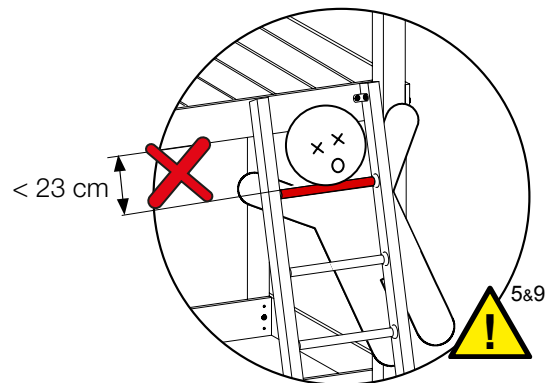
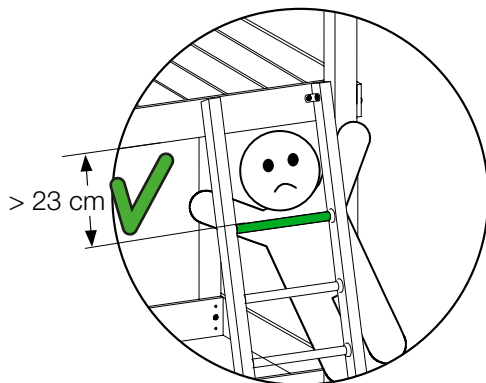
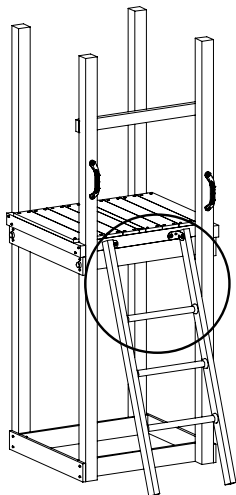


3&4



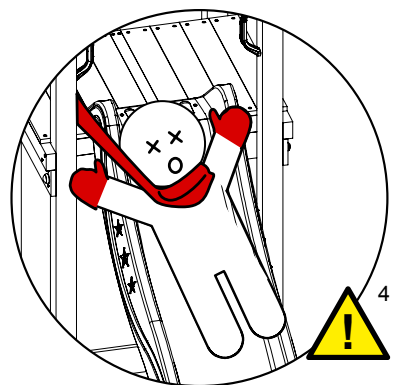
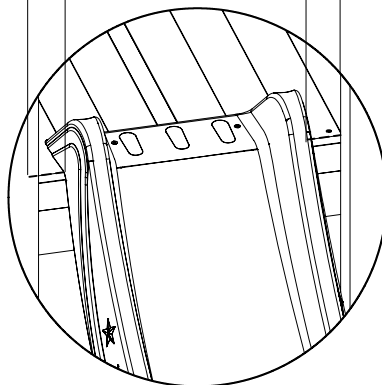
5

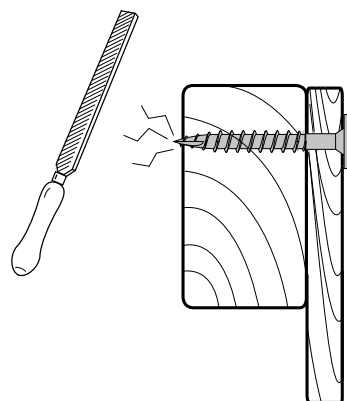
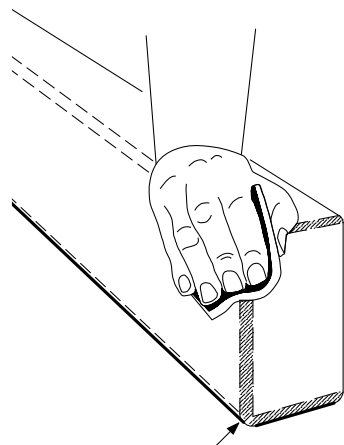
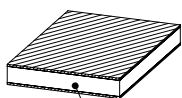
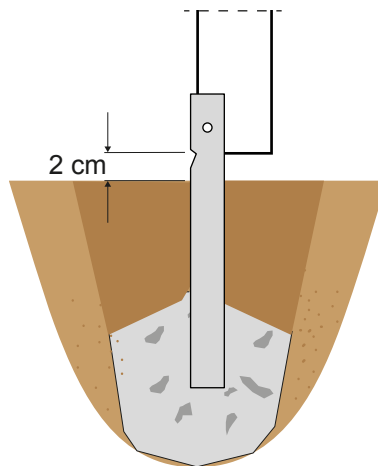
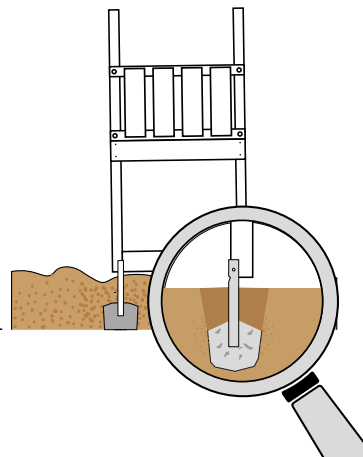
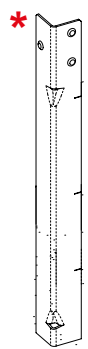
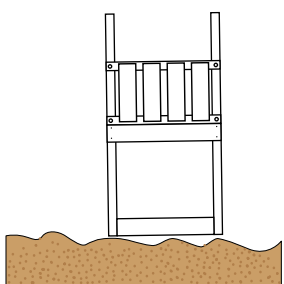
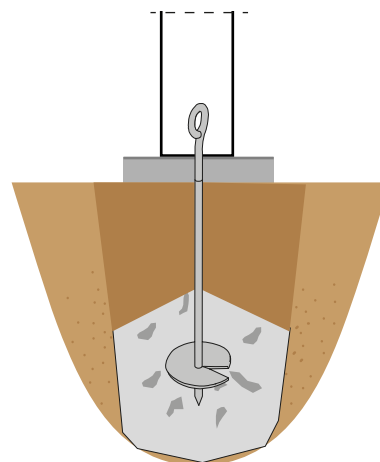
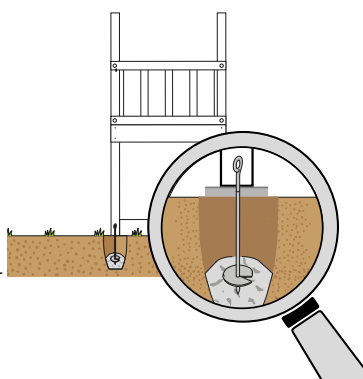
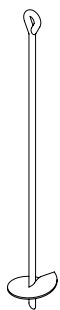
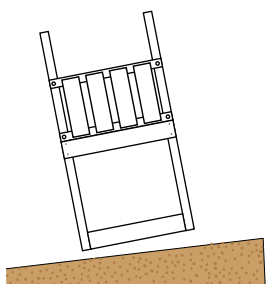
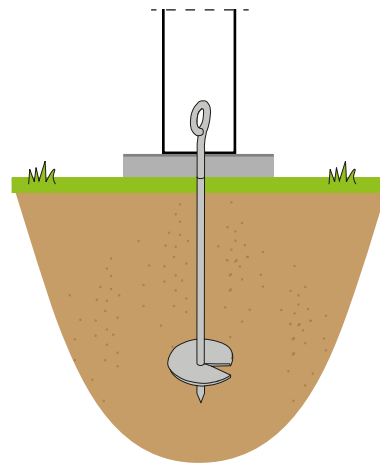
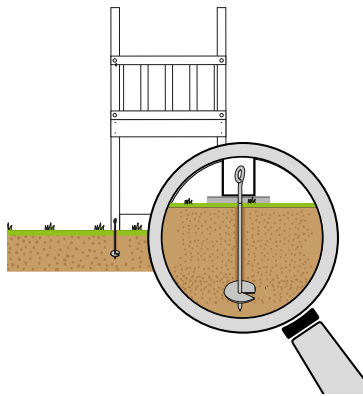
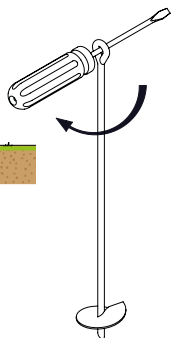
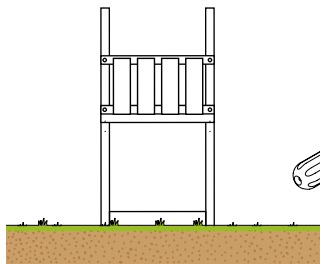
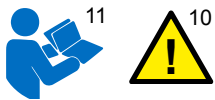




✓ min. 26 mm
max. 75 mm

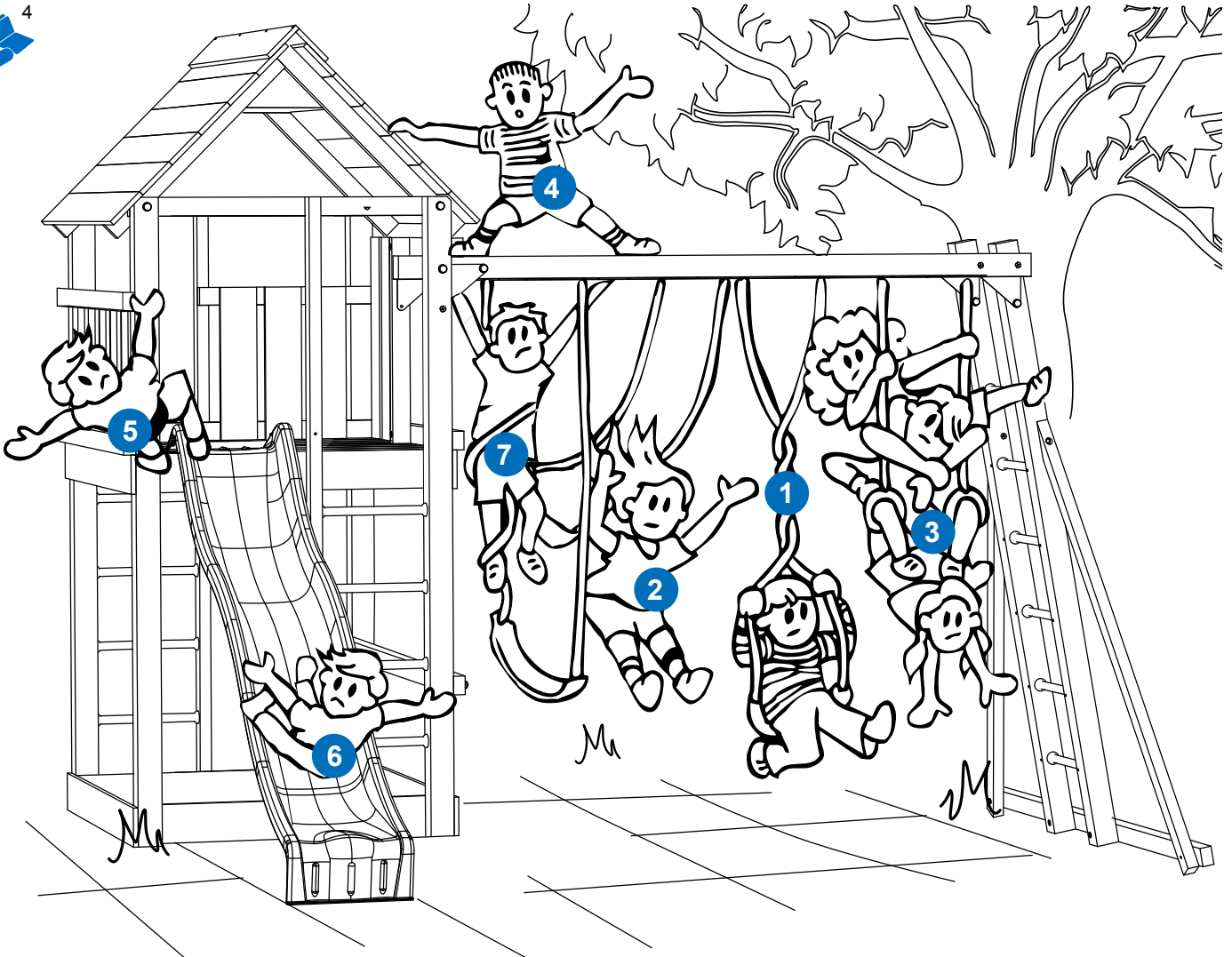
✓ min. 26 mm
max. 75 mm





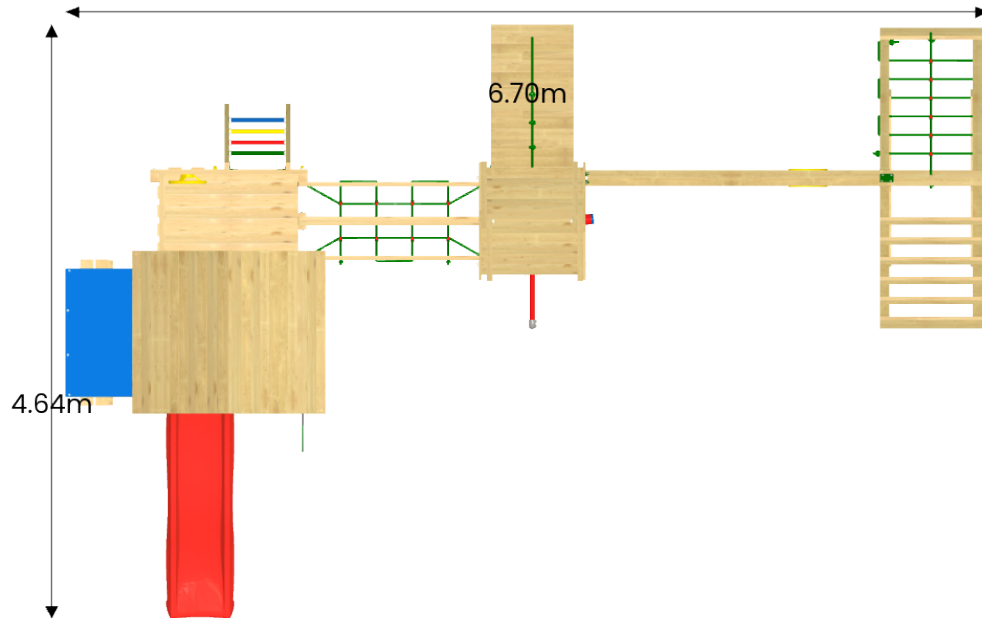


Safe play instructions and safety notices
 Sichere Spielanweisungen und Sicherheitswarnungen
 Consignes de jeu sécurisé et avis de sécurité



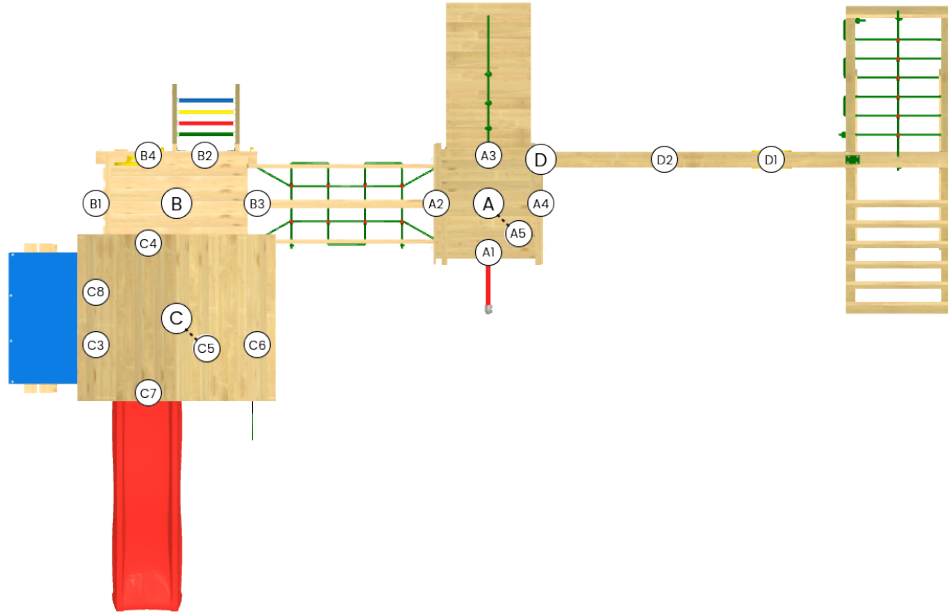


Dimensions Abmessungen Dimensions





Assembly sequence Montagereihenfolge Séquence d'assemblage



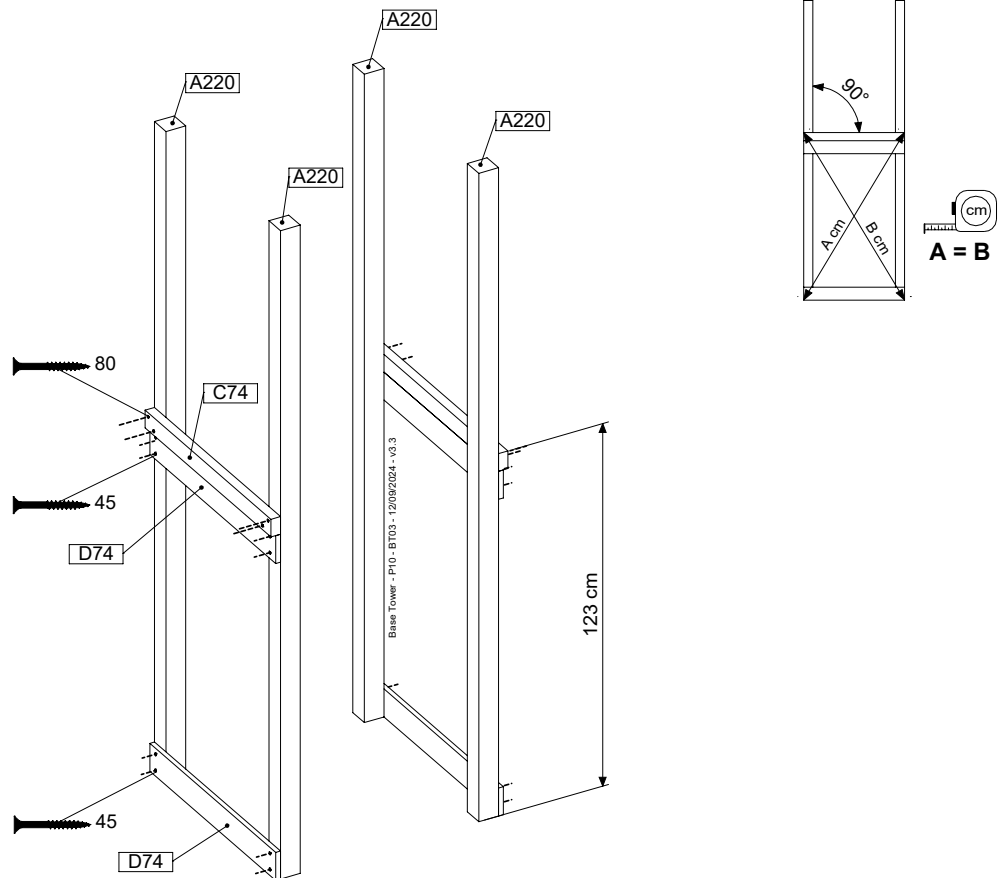
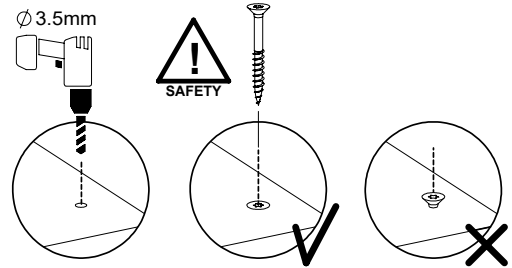
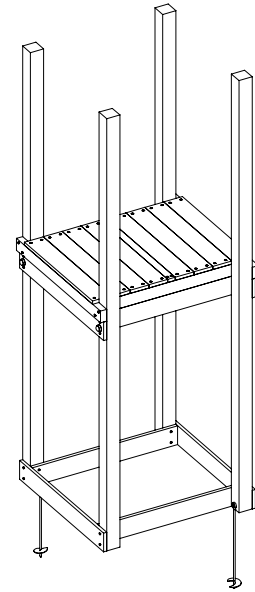
	ID			A	B	C	D
1	BT03a		p.17	✓	-	-	-
2	BT11a		p.19	-	-	✓	-
3	ET11a		p.22	-	✓	-	-
4	BL01a		p.25	-	B1	-	-
5	BL04a		p.26	-	-	C8	-
6	RF04a		p.27	A5	-	-	-
7	RF08a		p.30	-	-	C5	-
8	PH05a		p.33	A4	-	-	-
9	NB01a		p.34	A2	B3	-	-
10	RW07a		p.39	-	-	C6	-
11	LA17a		p.42	-	B2	-	-
12	RA04a		p.45	A3	-	-	-
13	PC06a		p.49	-	-	C3	-
14	CL06a		p.53	-	-	-	✓
15	SL06a		p.65	-	-	C7	-
16	FP02a		p.69	A1	-	-	-
17	GA		p.70	✓	✓	✓	✓
18	AC01a		p.72	-	-	✓	-

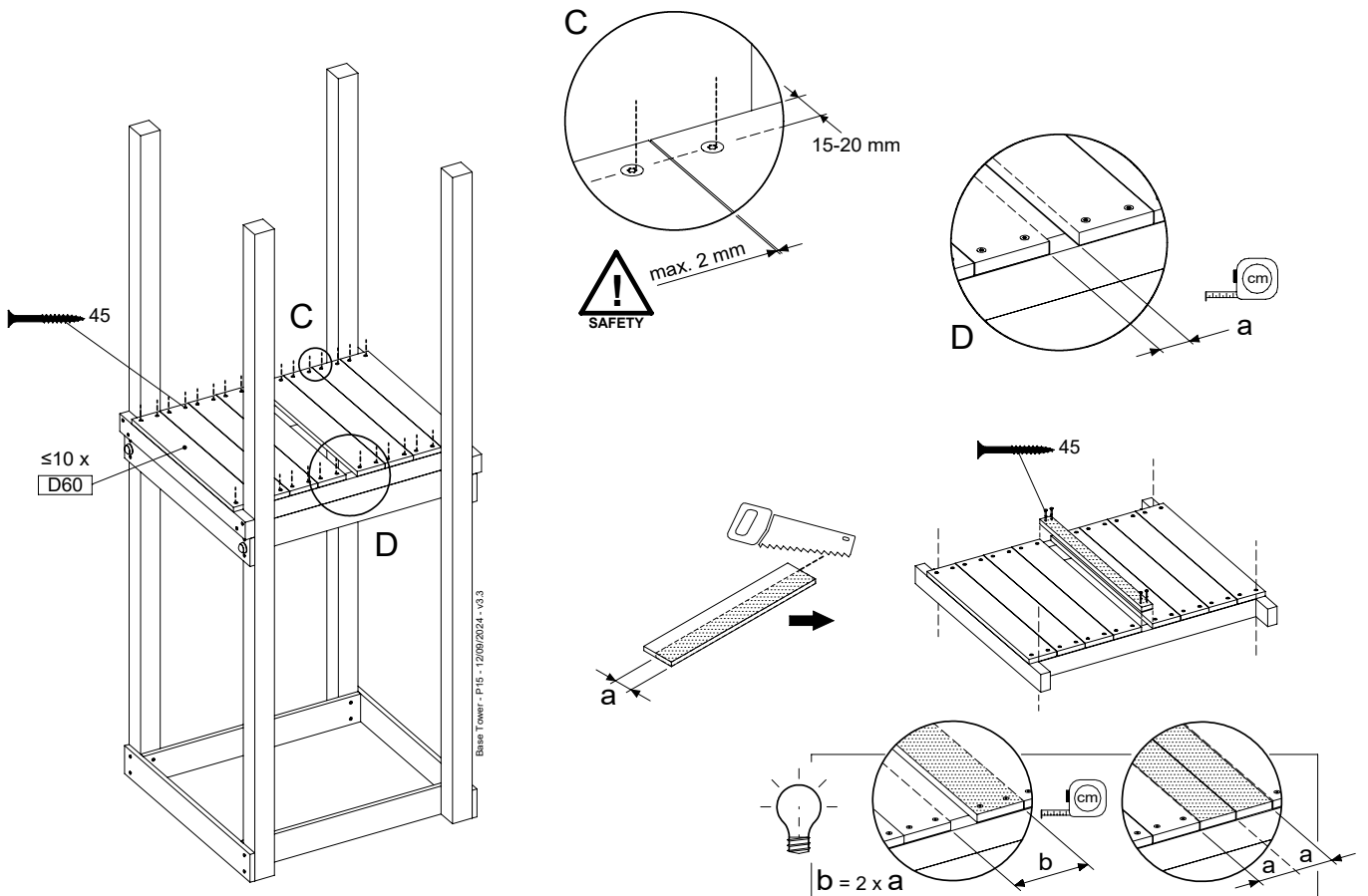
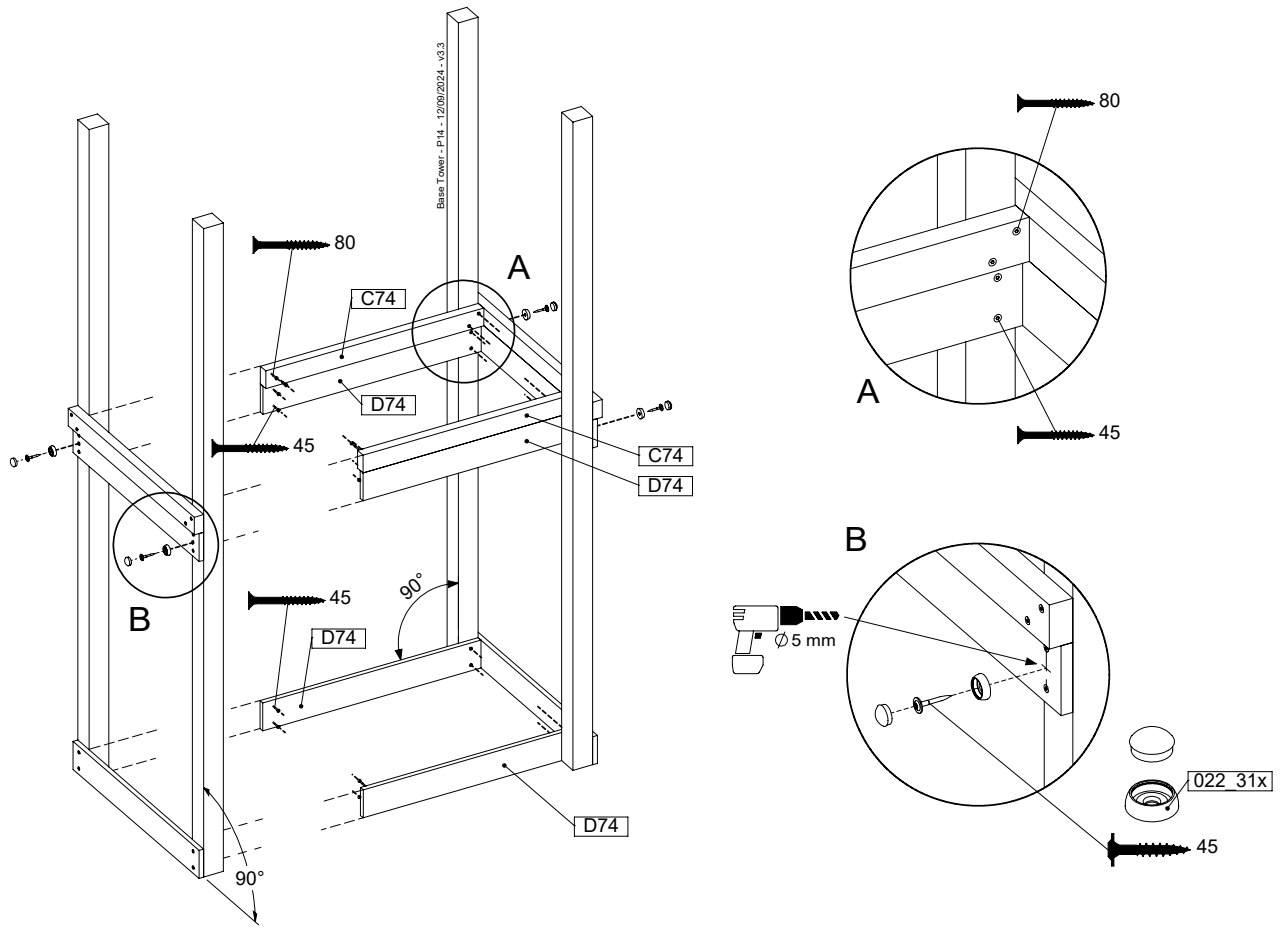
1 BT03a: Base Tower 80 125cm 220220

Assembly Pack: 194_100

	PartNo	PartName	QTY.
Hardware + Parts	001_406	Stealth Screw 8x45	6
	002_220	Gap Point Screw T25 - 5x45	72
	002_223	Gap Point Screw T25 - 5x80	16
	007_001	Ground-anchor	2
	022_31x	bpc-base version 3	4
	022_84x	bpc cover	4
Timber	A220	Post ca.70x70 L2200	4
	C74	Beam 740 mm	4
	D60	Board 600 mm	10
	D74	Board 740 mm	8

Base Tower - P10 - BT03 - 12082024 - v3.3



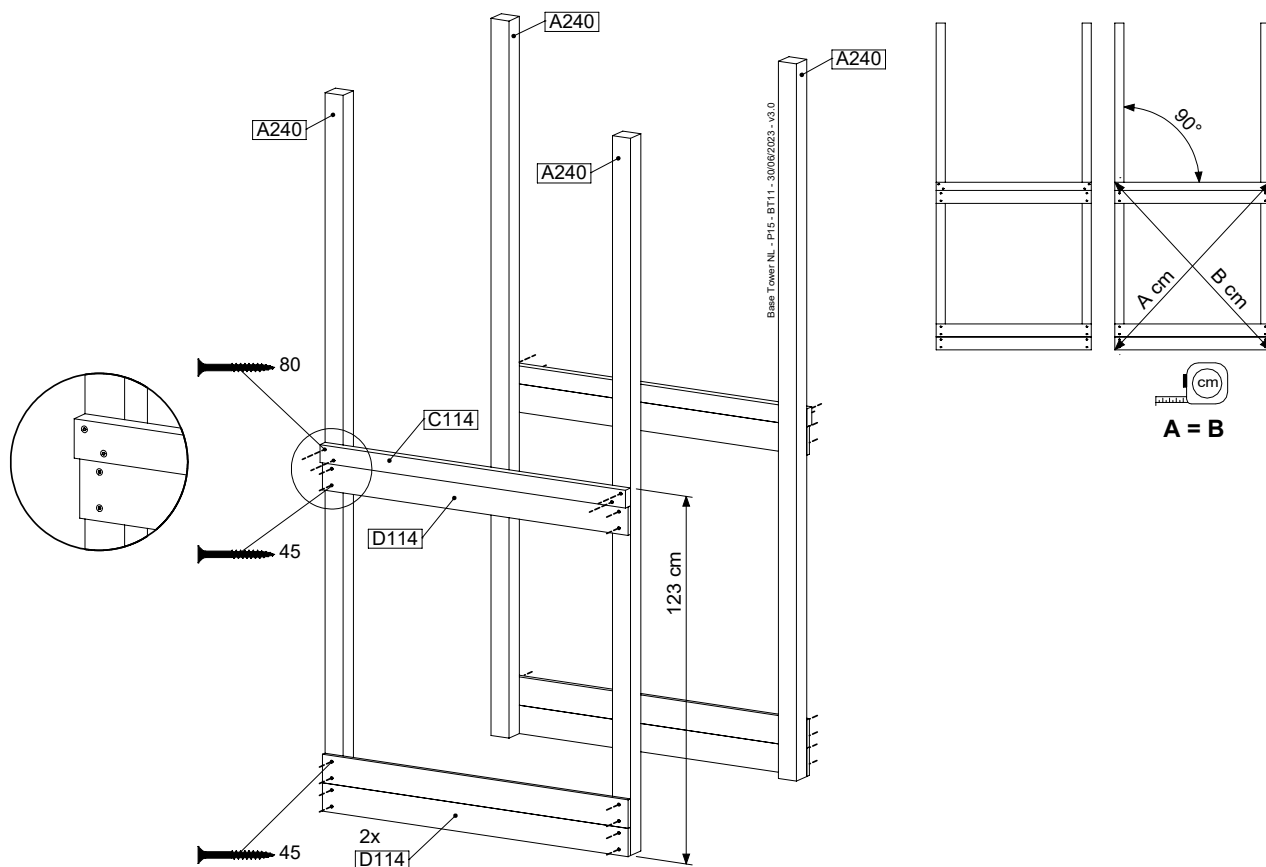
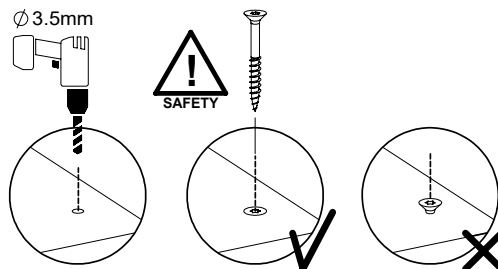
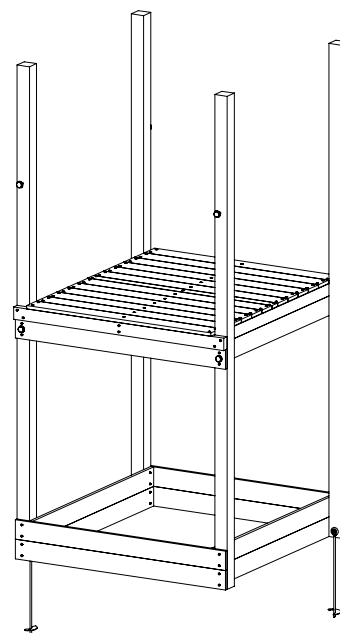


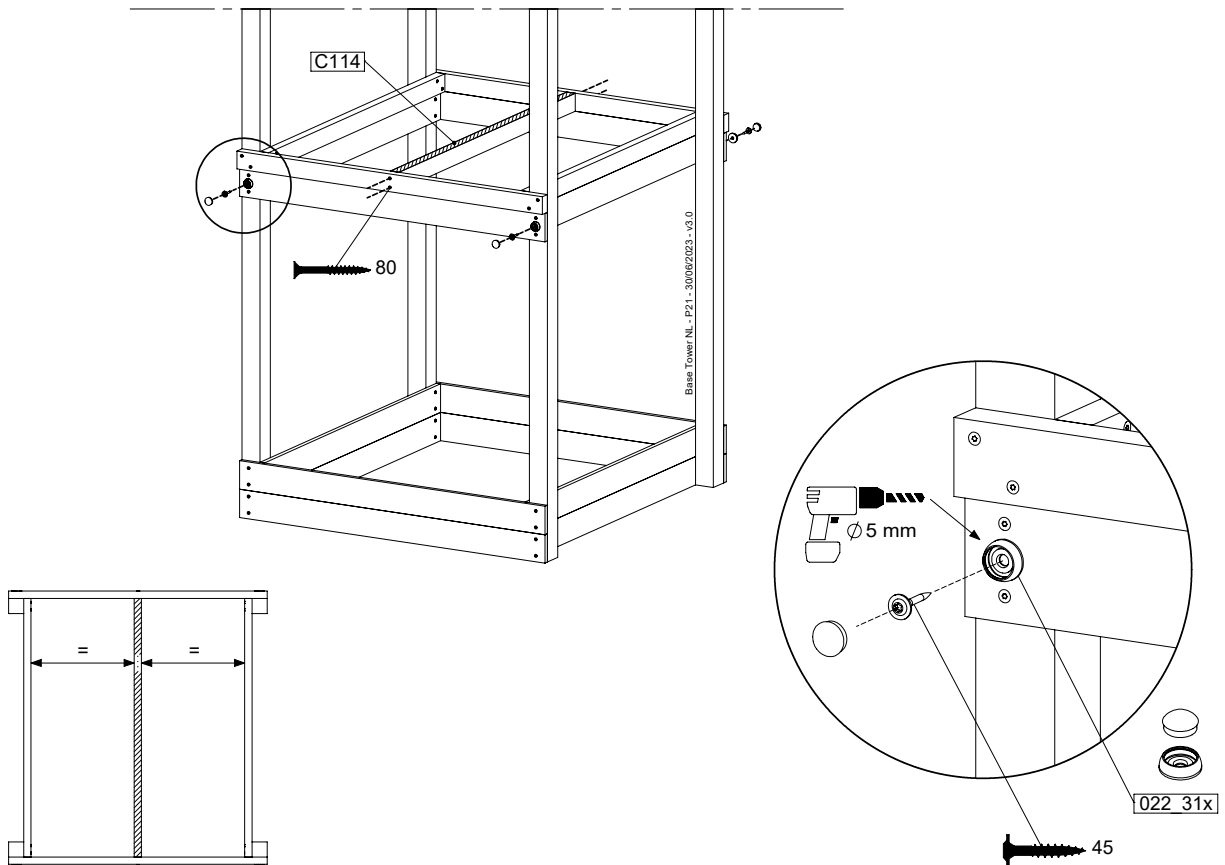
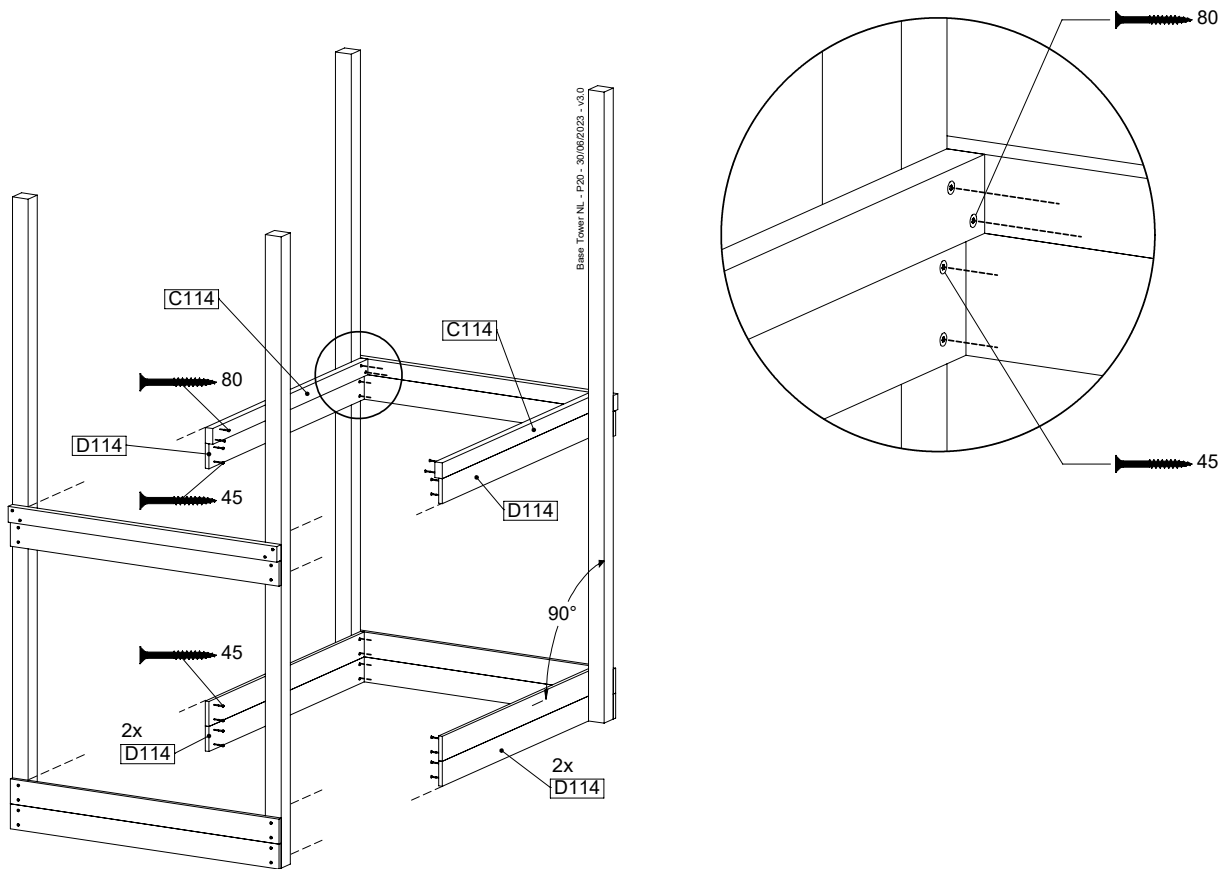
2 BT11a: Base Tower 115 125cm 240240

(194_300)

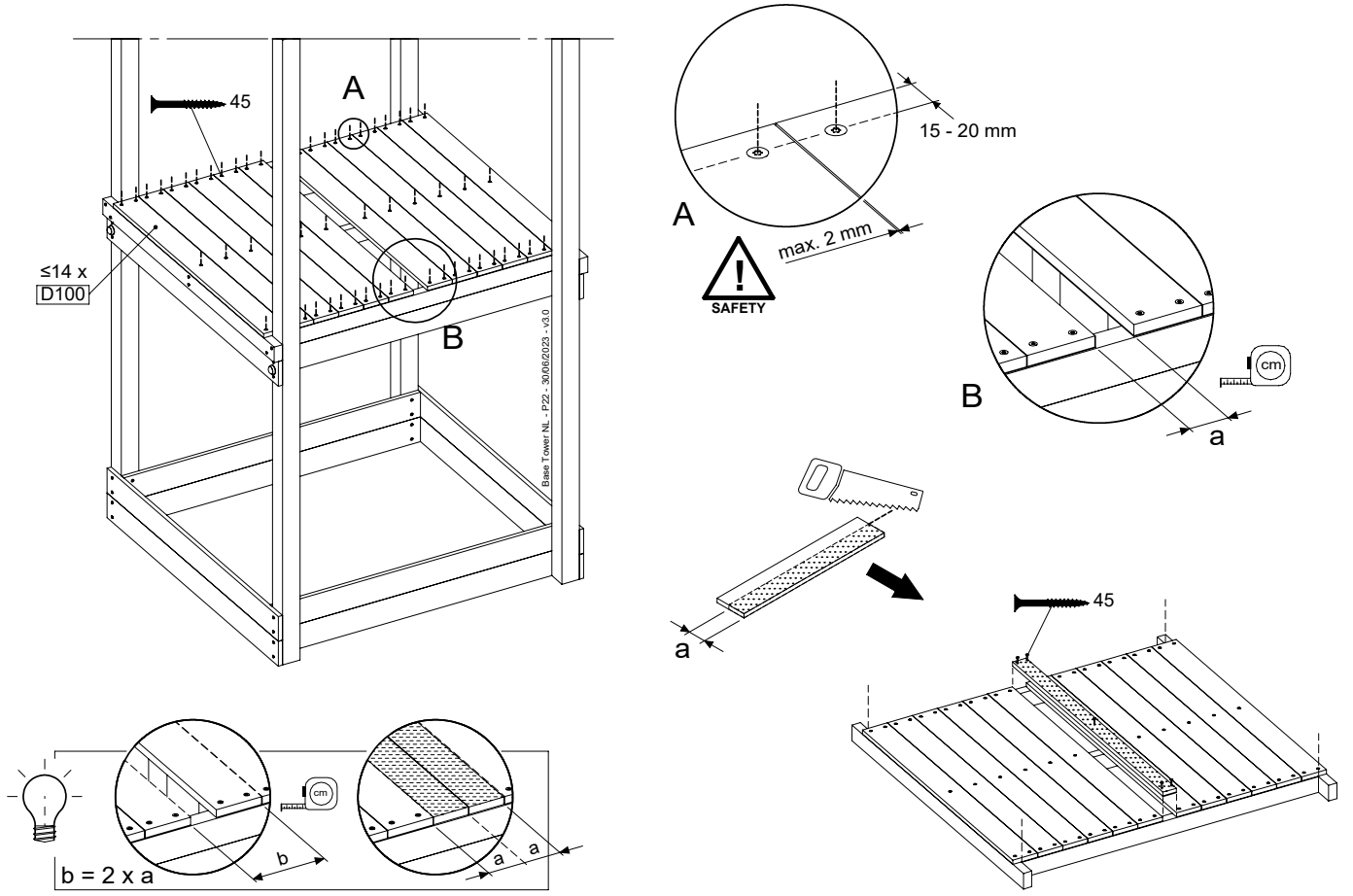
	PartNo	PartName	QTY.
Hardware pack	001_406	Stealth Screw 8x45	6
	001_417	Stealth Screw 8x80	4
	002_220	Gap Point Screw T25 - 5x45	118
	002_223	Gap Point Screw T25 - 5x80	20
	022_31x	bpc-base version 3	8
	022_84x	bpc cover	8
Other	007_001	Ground-anchor	2
Timber	A240	Post 70x70 L2400	4
	C114	Beam 1140 mm	5
	D100	Board 1000 mm	14
	D114	Board 1140 mm	12

Base Tower NL - P15 - BT11 - 300062023 - v3.0





2.2

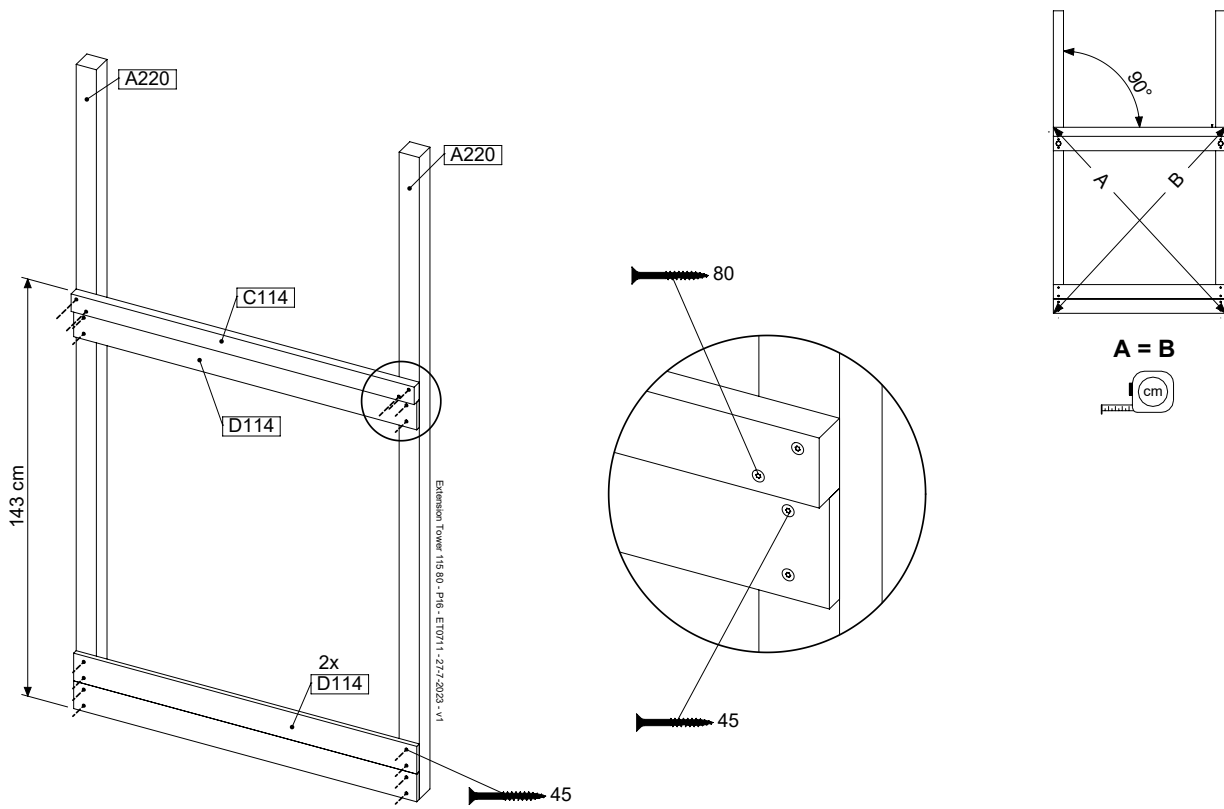
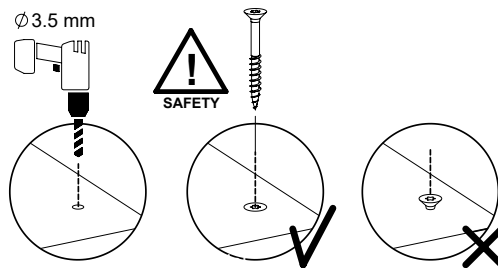
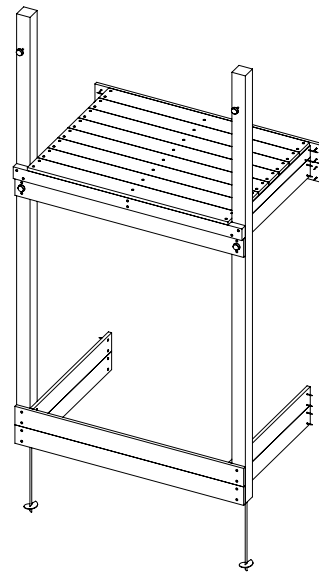


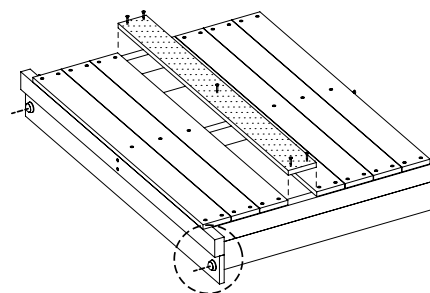
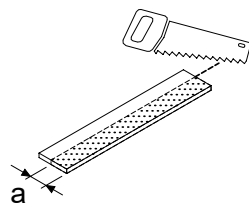
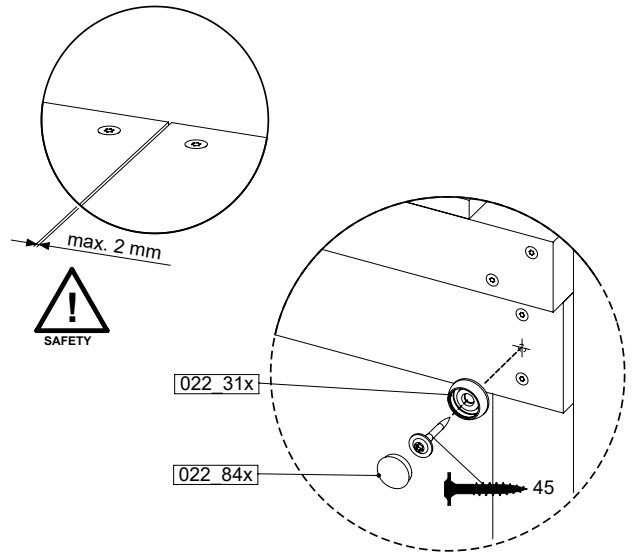
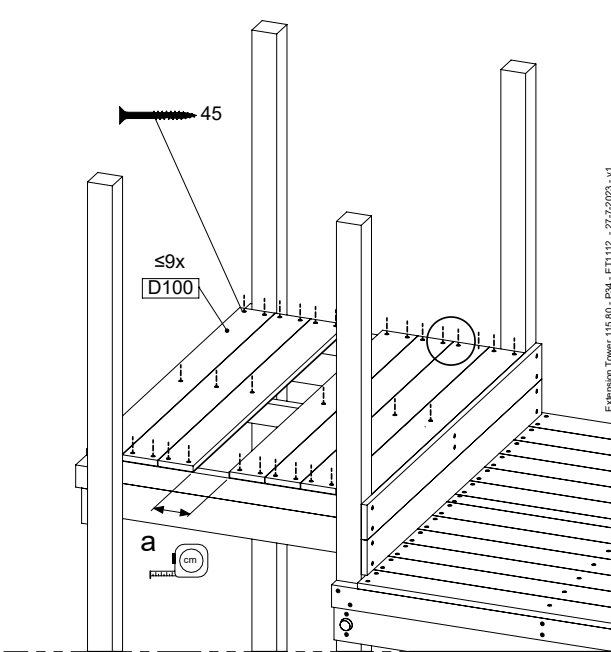
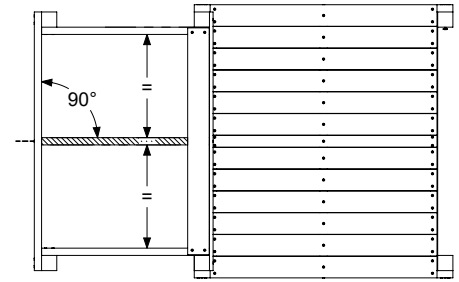
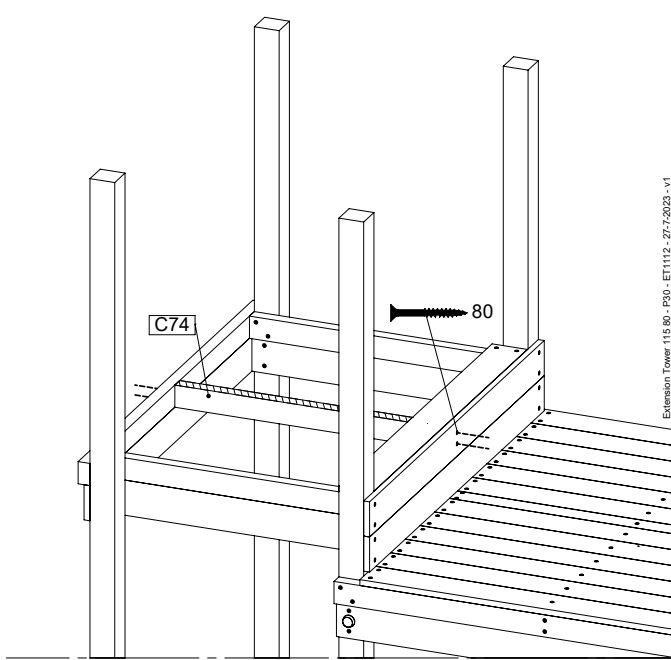
3 ET11a: Extension Tower 11580 220/145

(194_300)

	PartNo	PartName	QTY.
Hardware pack	001_406	Stealth Screw 8x45	4
	001_417	Stealth Screw 8x80	2
	002_220	Gap Point Screw T25 - 5x45	93
	002_223	Gap Point Screw T25 - 5x80	16
Other	007_001	Ground-anchor	2
	022_31x	bpc-base version 3	4
	022_84x	bpc cover	4
Timber	A220	Post 70x70 L2200	2
	C74	Beam 740 mm	3
	C114	Beam 1140 mm	1
	D74	Board 740 mm	6
	D100	Board 1000 mm	9
	D114	Board 1140 mm	6

Extension Tower 115 80 - P08 - ET11 - 27-7-2023 - v1



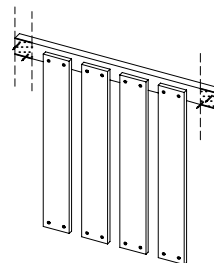


4 BL01a: Balustrade 80 U - 7x7 posts

(194_101)

	PartNo	PartName	QTY.
Hardware Pack	002_220	Gap Point Screw T25 - 5x45	16
	100_601	Gap Point Screw T25 - 5x80	4
Timber	C74	Beam 740 mm	1
	D65	Board 650 mm	4

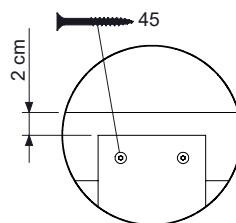
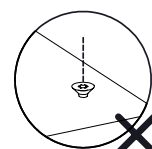
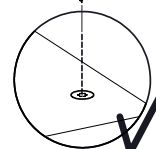
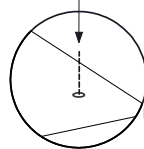
Balustrade 80 - P02 U - 15-7-2022 - v4



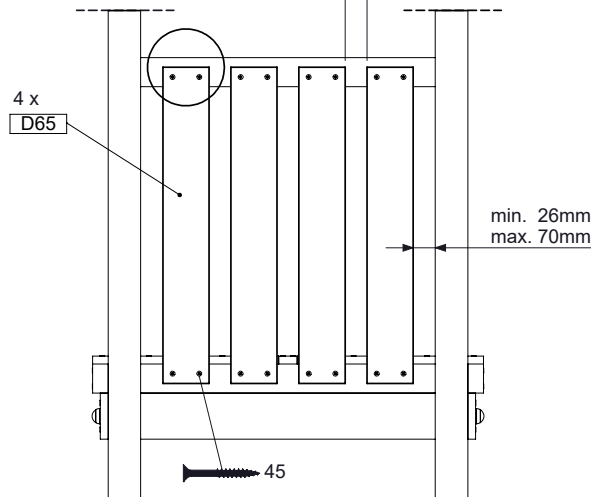
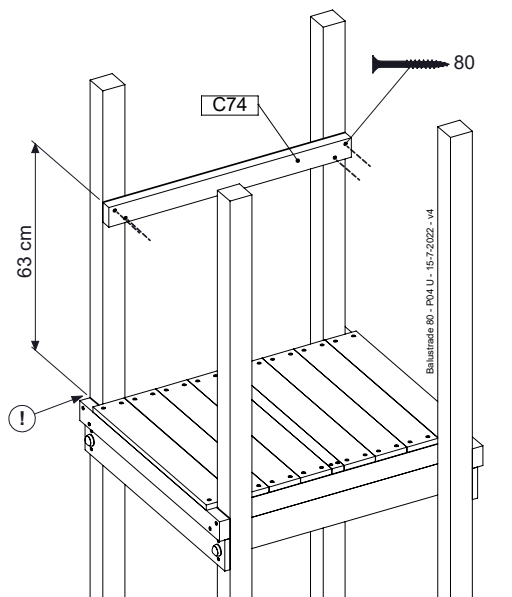
Ø3,5mm



SAFETY



min. 26mm
max. 70mm

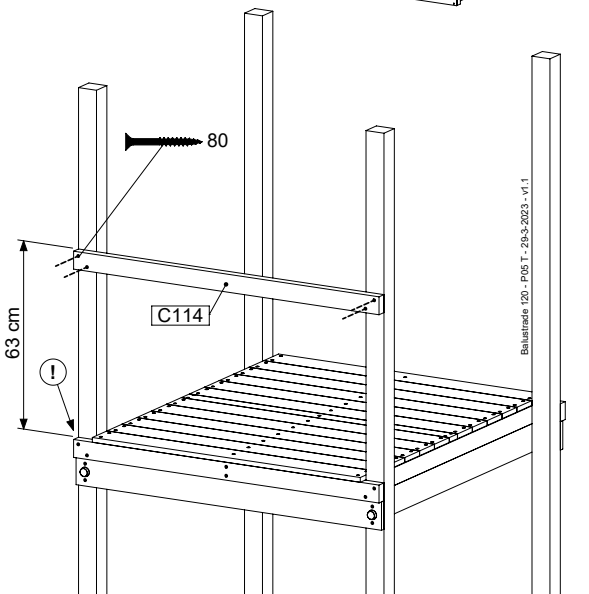
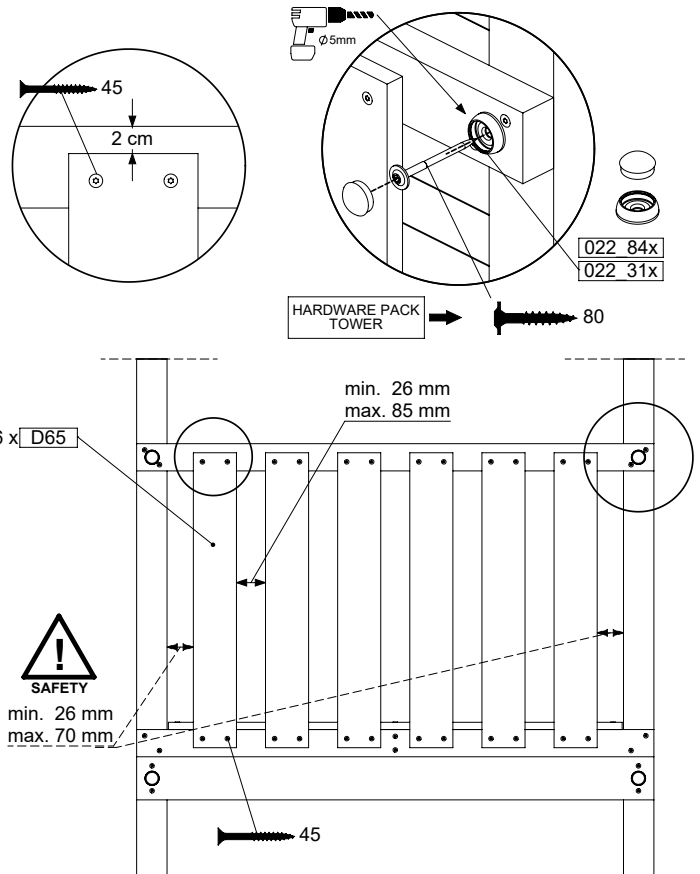
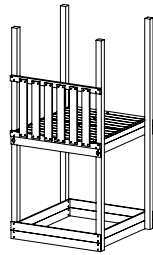
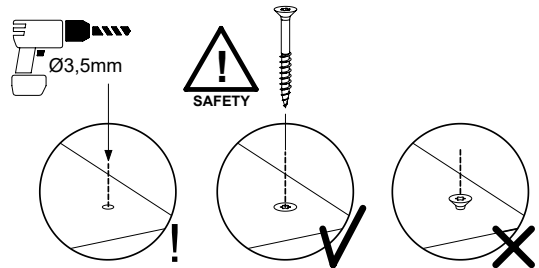
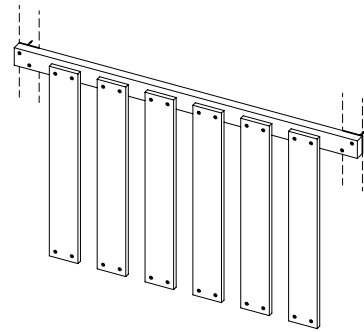


5 BL04a: Balustrade 115 T

(194_501)

	PartNo	PartName	QTY.
Hardware Pack	002_220	Gap Point Screw T25 - 5x45	24
	002_223	Gap Point Screw T25 - 5x80	4
Timber	C114	Beam 1140 mm	1
	D65	Board 650 mm	6

Balustrade 120 - P03 T - 29-3-2023 - v1.1

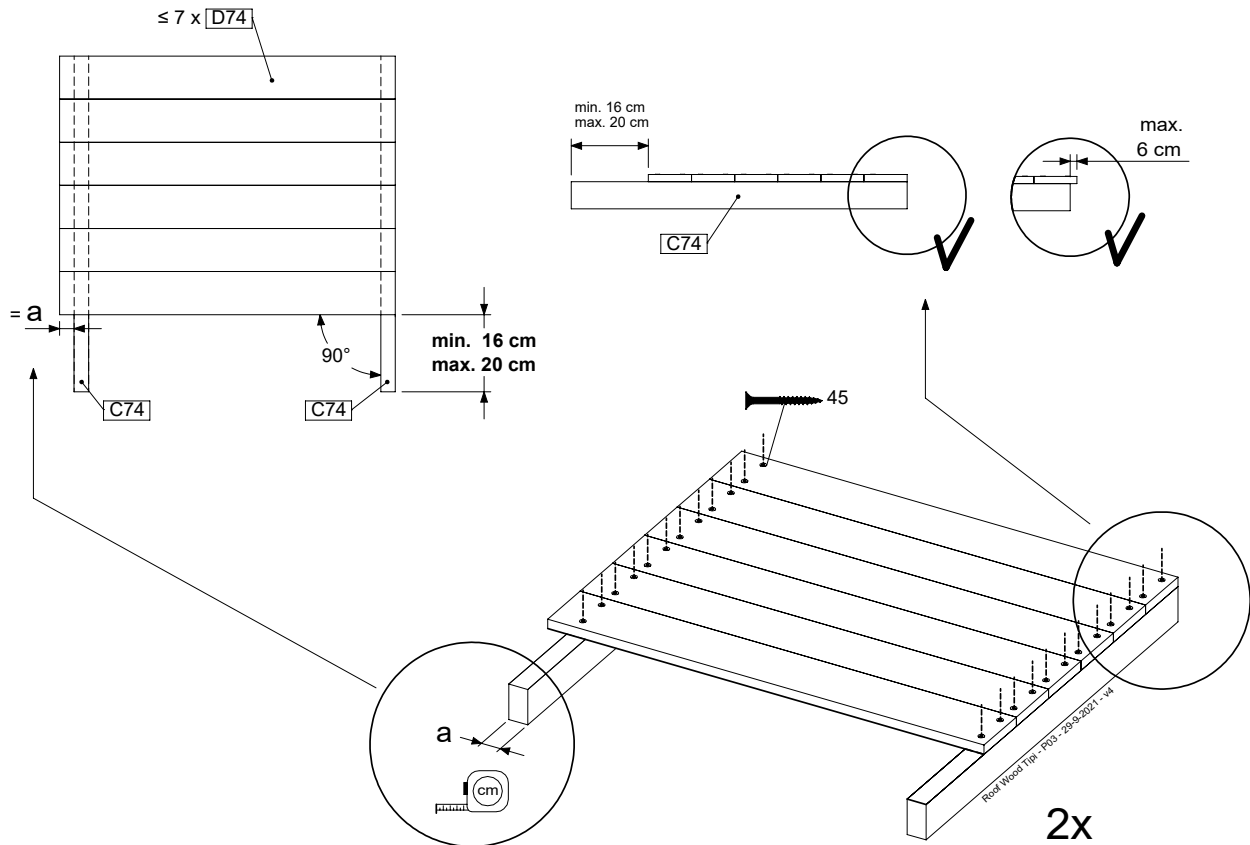
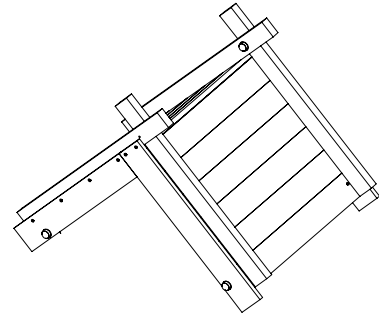


6 RF04a: Roof Timber Tipi 80

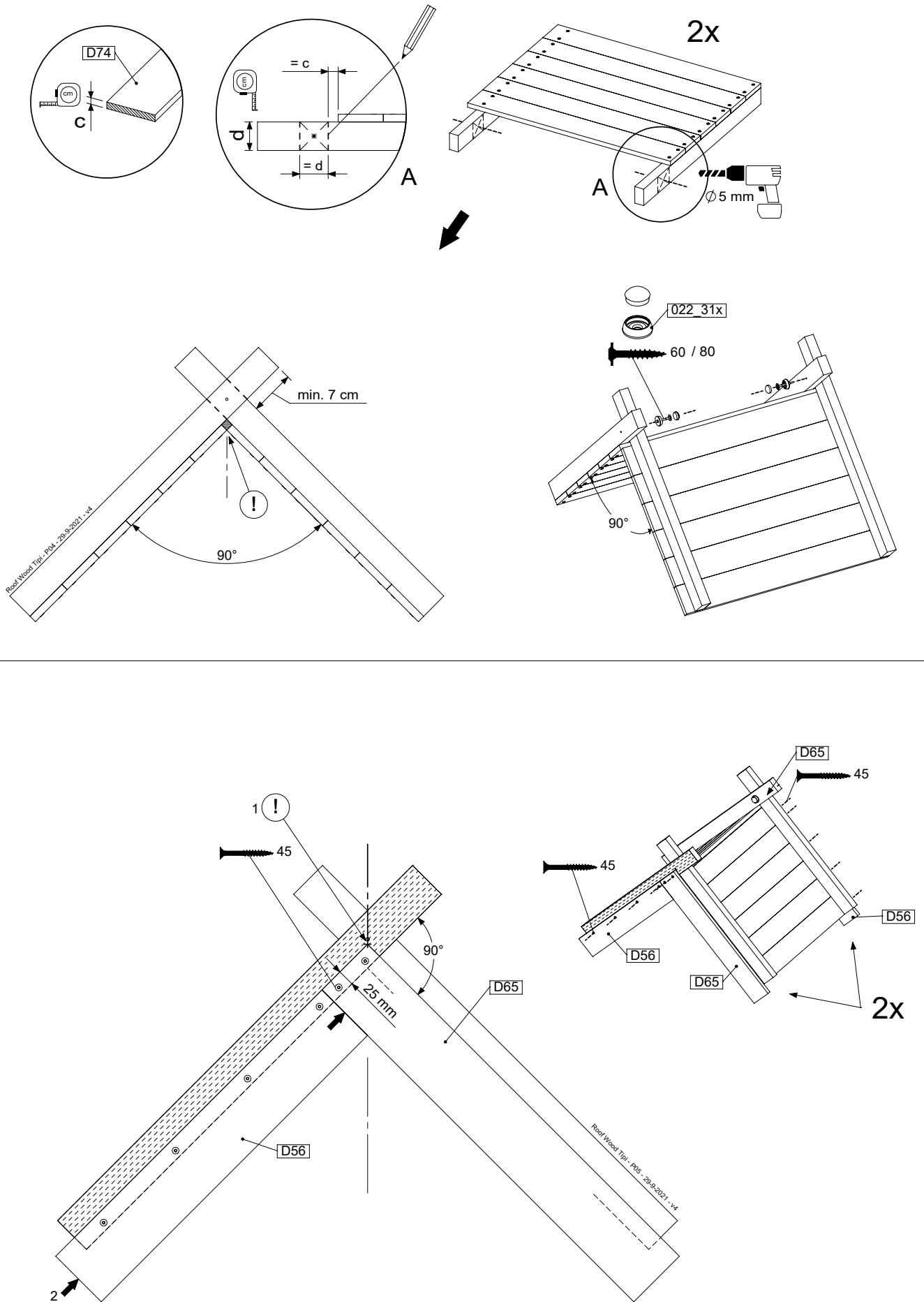
(194_110)

	PartNo	PartName	QTY.
Hardware Pack 100_608	001_411	Stealth Screw 8x60	6
	001_417	Stealth Screw 8x80	2
	002_220	Gap Point Screw T25 - 5x45	68
	002_223	Gap Point Screw T25 - 5x80	4
Other	022_31x	bpc-base version 3	6
	022_84x	bpc cover	6
Timber	C74	Beam 740 mm	4
	D56	Board L=(650 - board width) mm	2
	D65	Board 650 mm	2
	D74	Board 740 mm	14

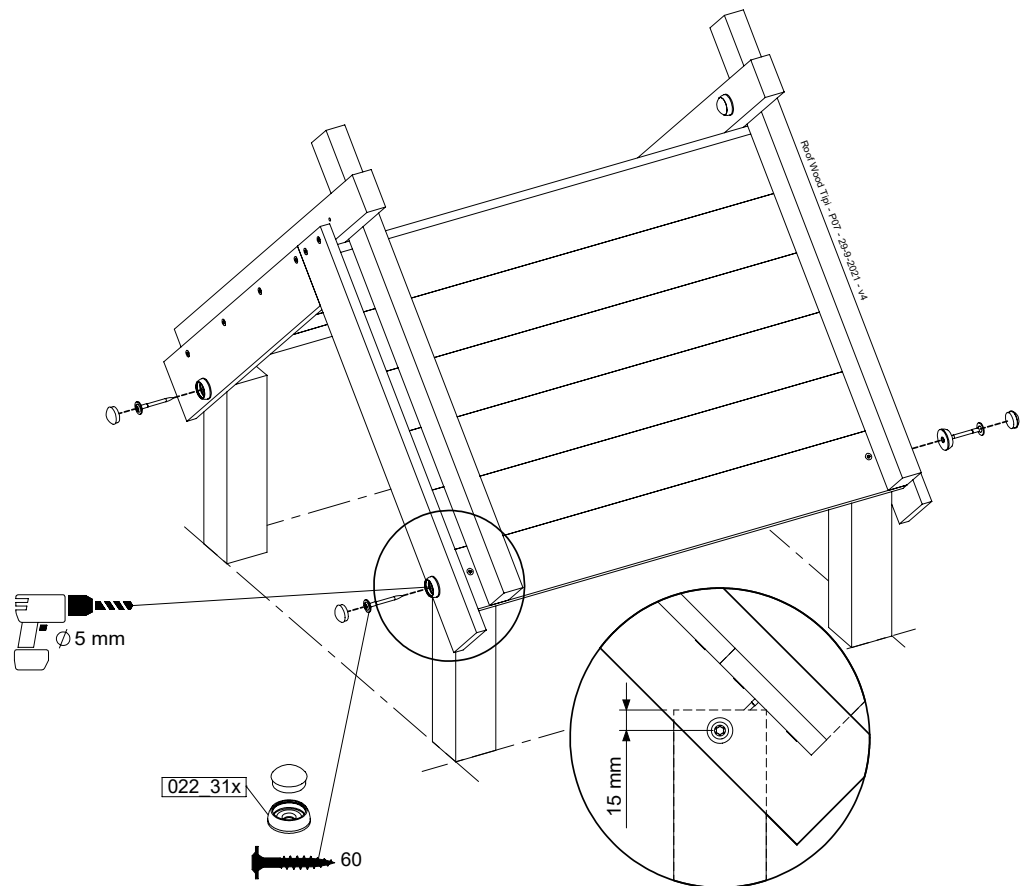
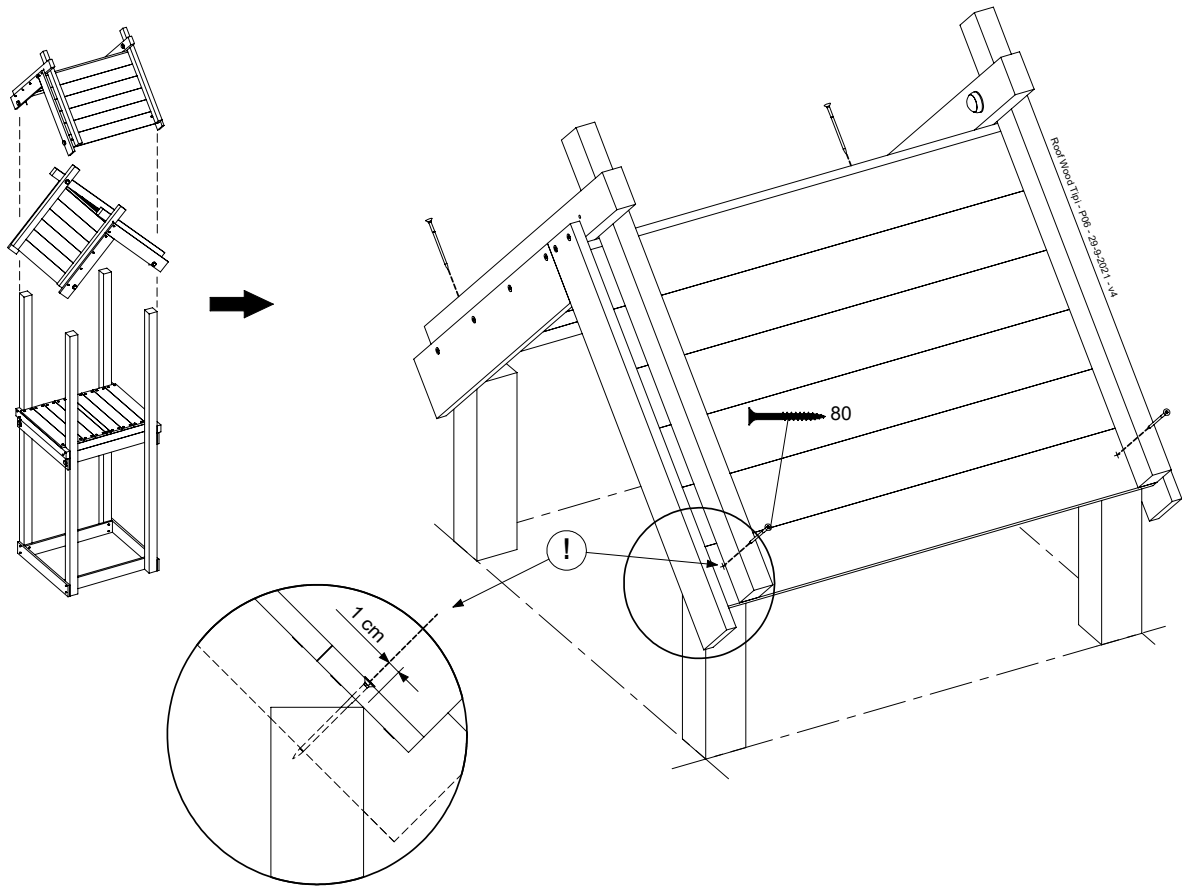
Roof Wood Tipi - P102 - 28-9-2021 - v4



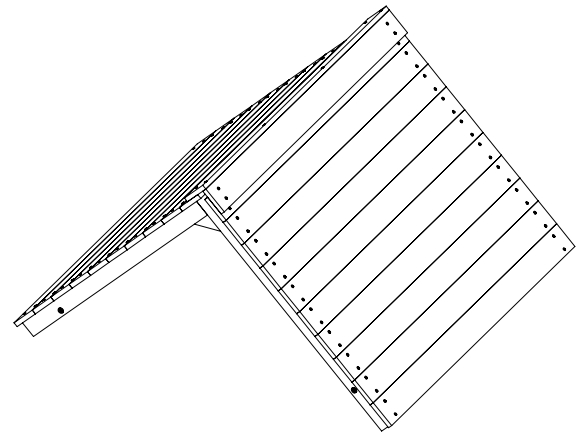
6.1



6.2



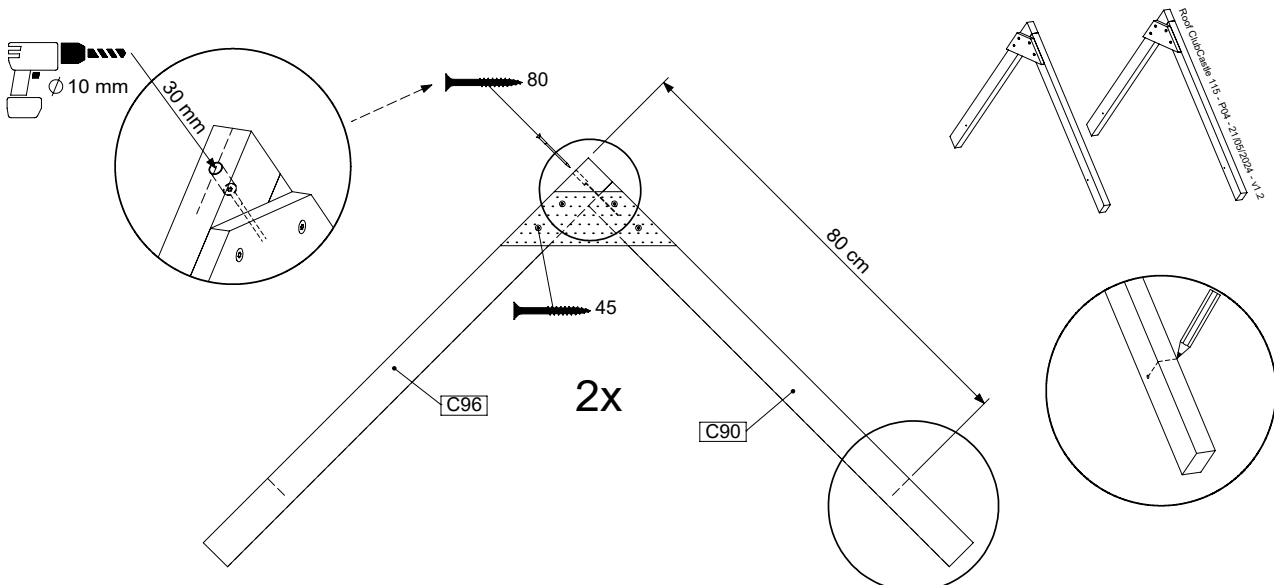
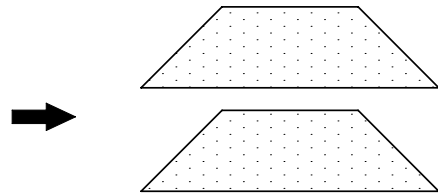
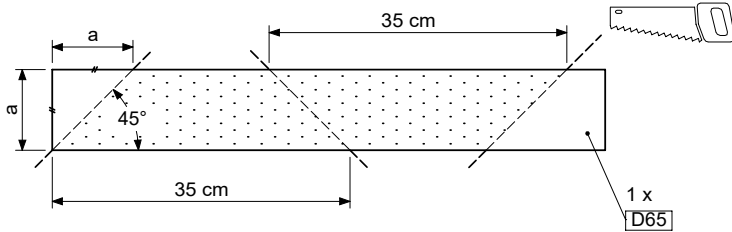
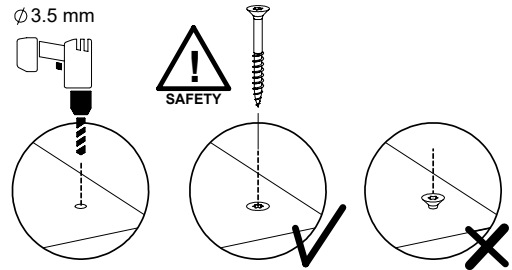
7 RF08a: Roof Timber Gable 115



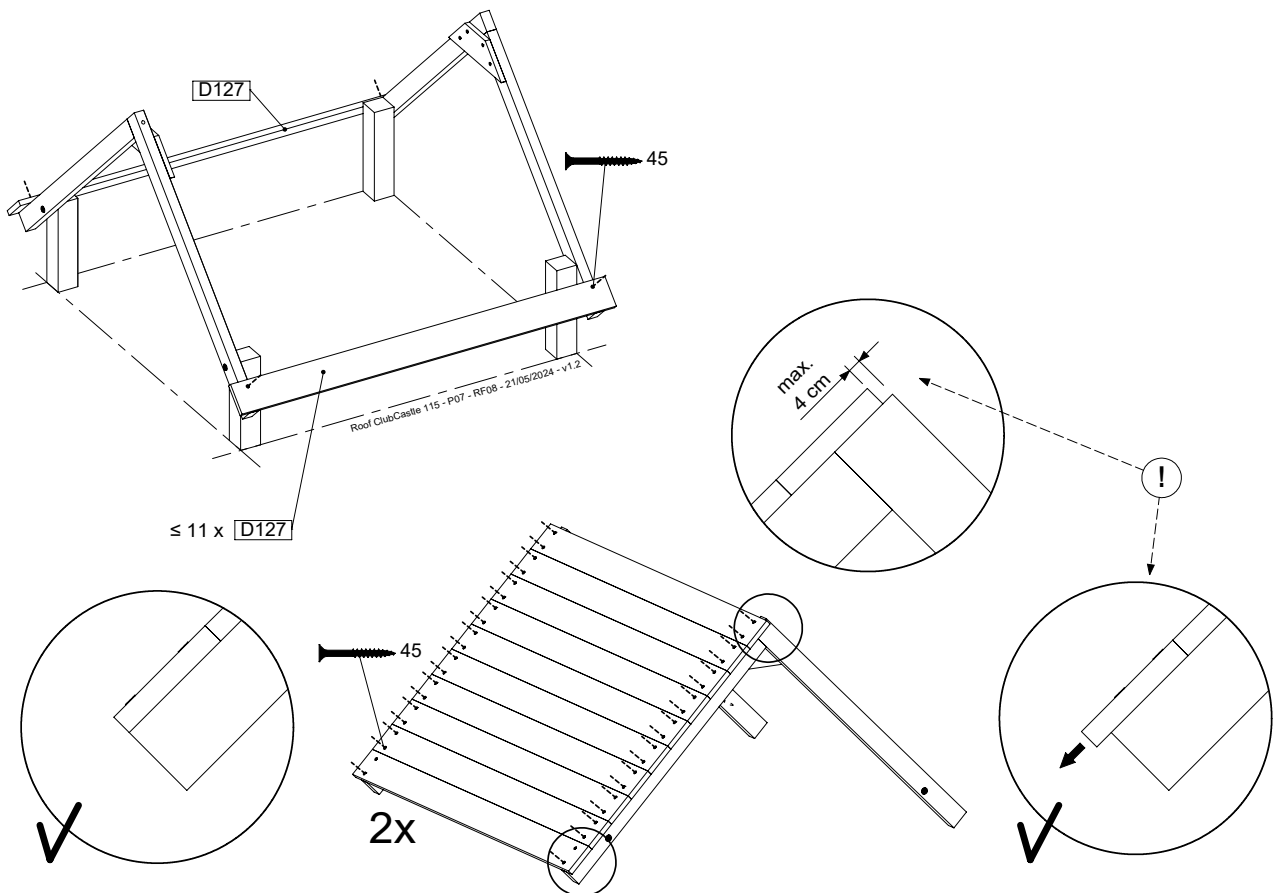
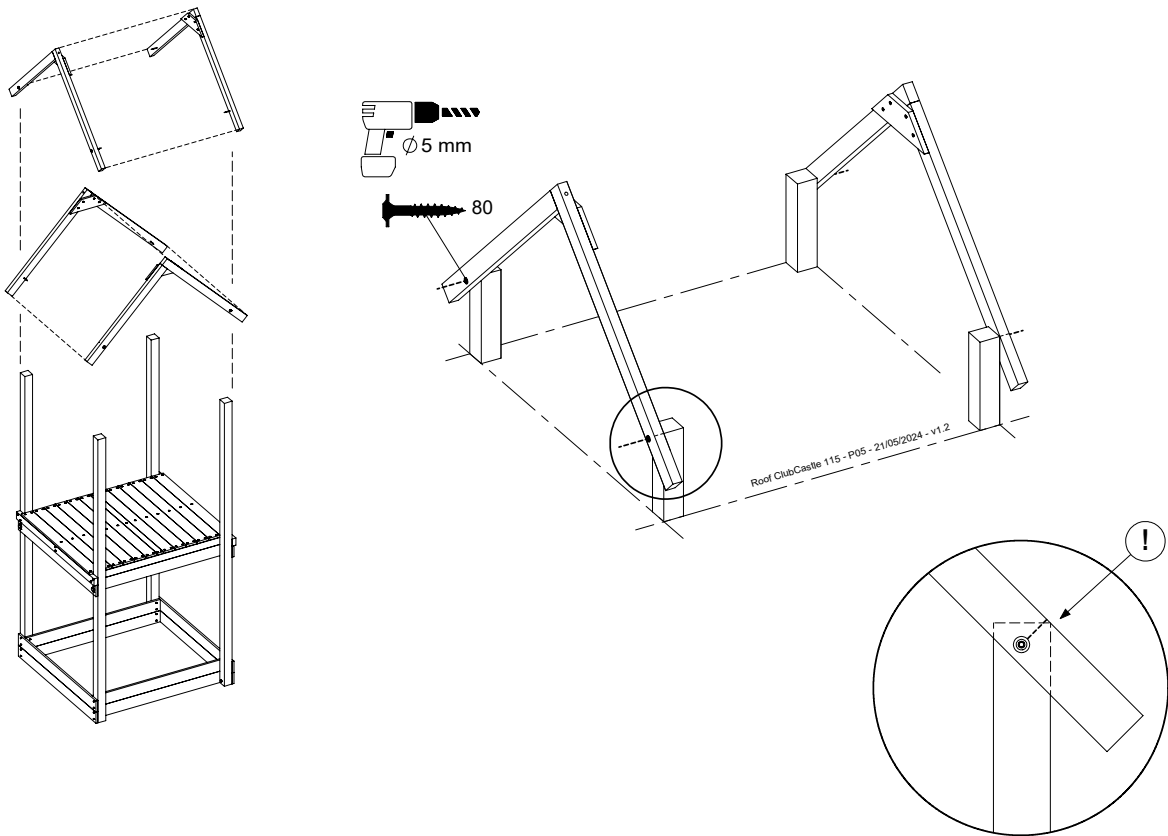
Assembly Pack: 194_308 / 194_804

	PartNo	PartName	QTY.
Hardware Pack	001_417	Stealth Screw 8x80	4
	002_220	Gap Point Screw T25 - 5x45	100
	002_223	Gap Point Screw T25 - 5x80	8
Timber	C96	Beam 960 mm	2
	D65	Board 650 mm	1
	D127	Board 1270 mm	24
	C90	Beam 900 mm	2

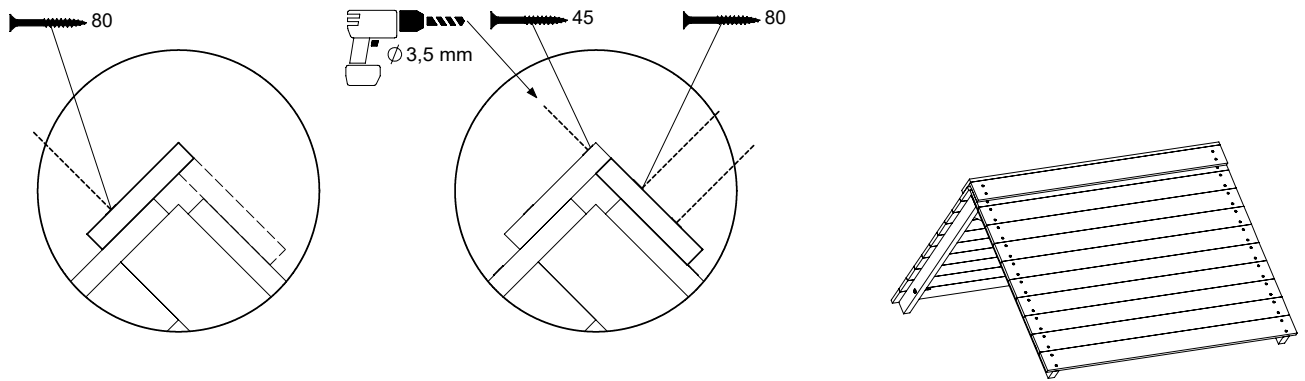
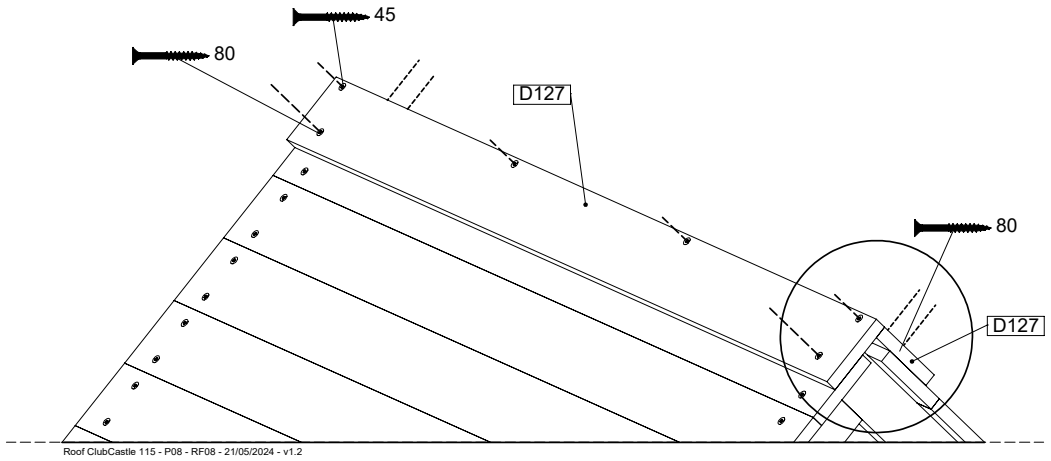
Roof Gable 115 - P03 - RF08 - 21/05/2024 - v1.2



7.1



7.2

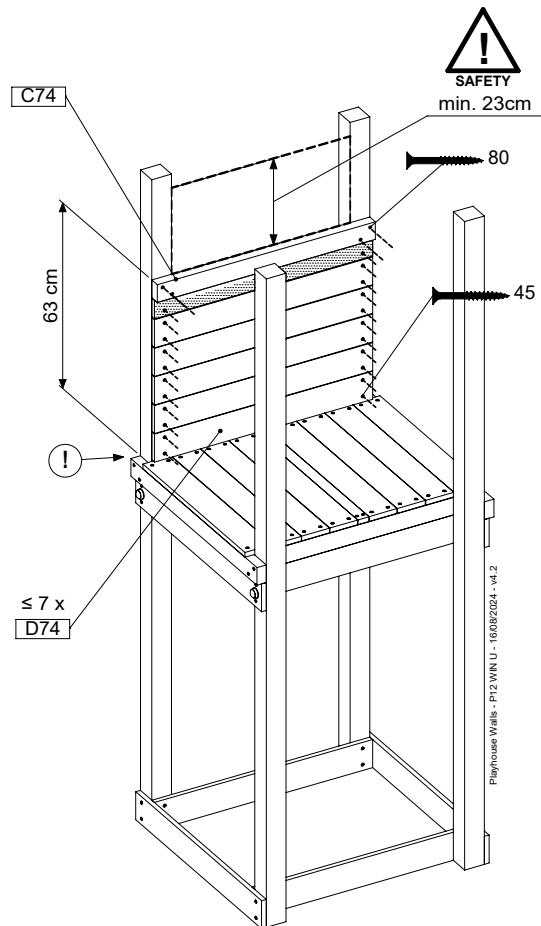
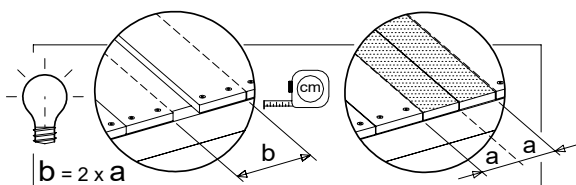
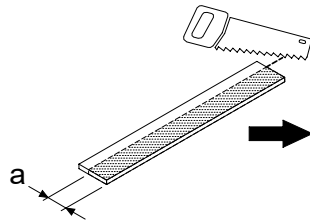
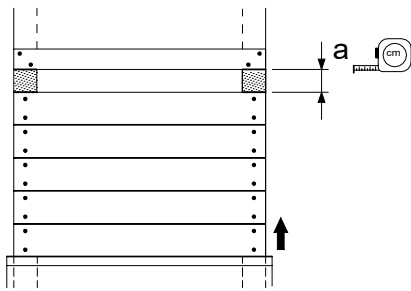
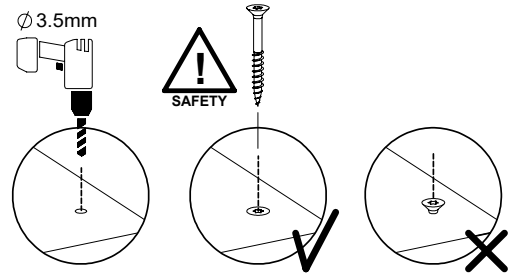
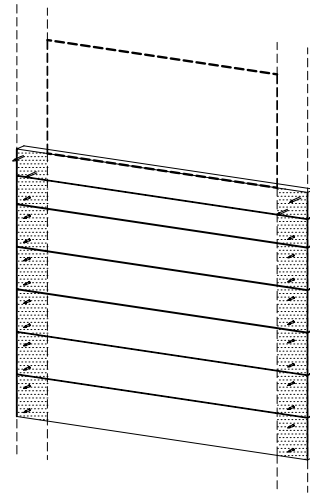


8 PH05a: Playhouse Window Panel 80 U

Assembly Pack: 194_501

	PartNo	PartName	QTY.
Hardware + Parts	002_220	Gap Point Screw T25 - 5x45	28
	002_223	Gap Point Screw T25 - 5x80	4
Timber	C74	Beam 740 mm	1
	D74	Board 740 mm	7

Playhouse Walls - P12 WIN U - 16/09/2024 - v4.2



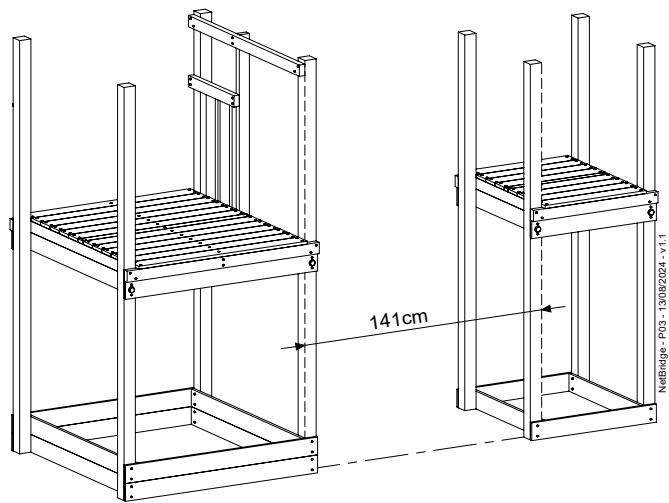
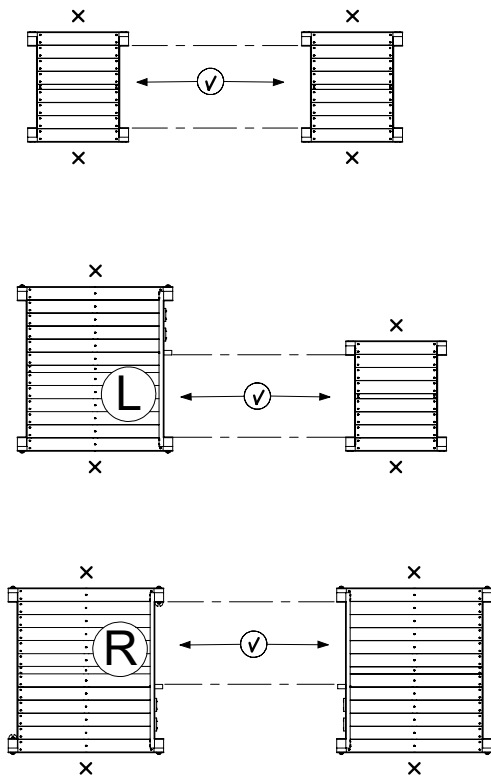
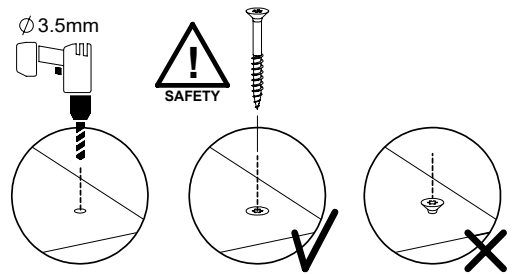
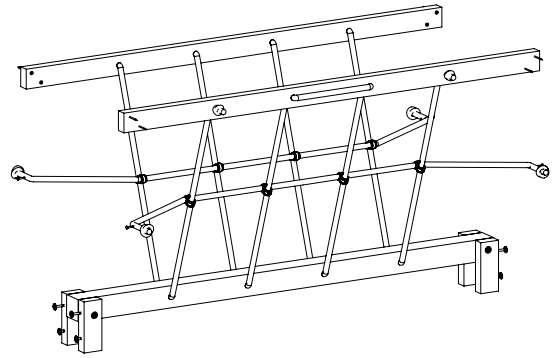
Playhouse Walls - P12 WIN U - 16/09/2024 - v4.2

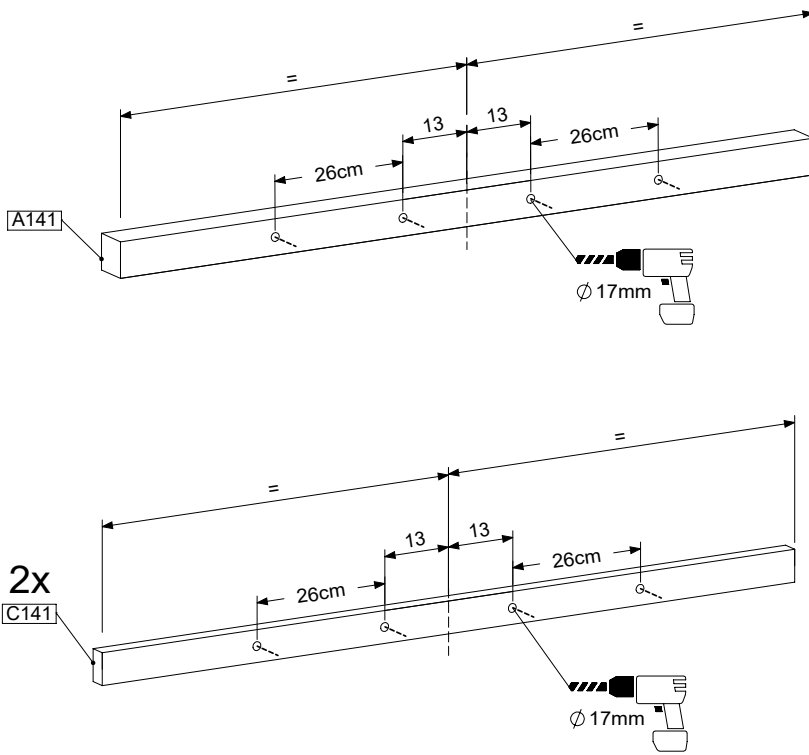
9 NB01a: Net Bridge

Assembly Pack : 194_009

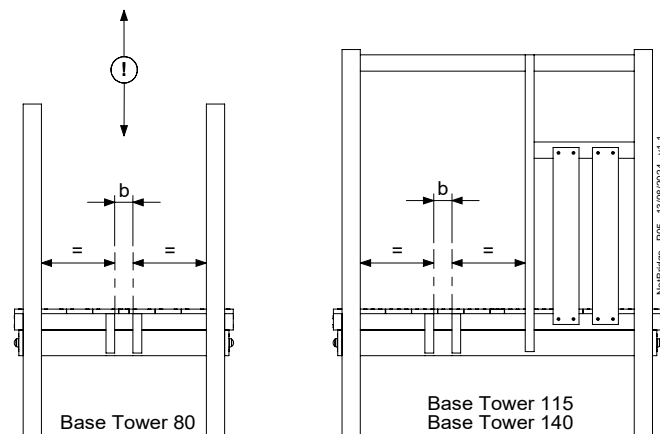
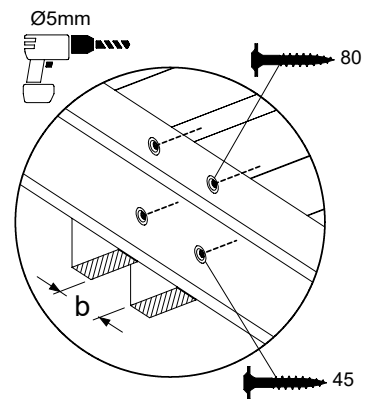
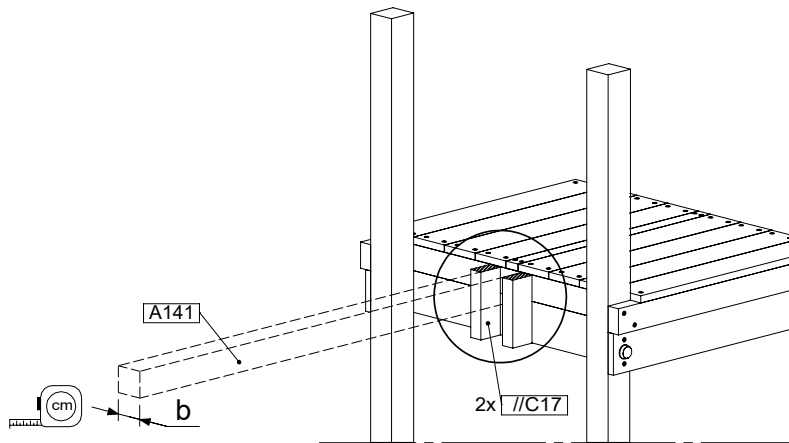
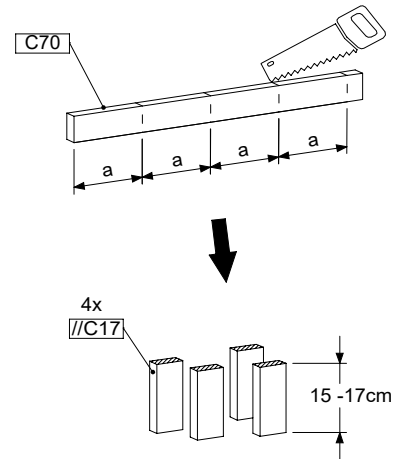
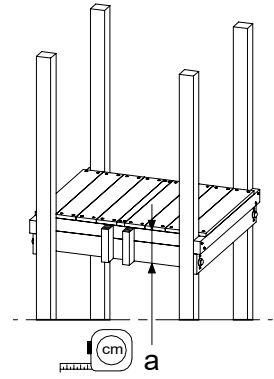
	PartNo	PartName	QTY.
Hardware + Parts	001_406	Stealth Screw 8x45	4
	001_417	Stealth Screw 8x80	8
	002_220	Gap Point Screw T25 - 5x45	12
	002_223	Gap Point Screw T25 - 5x80	8
	002_301	Dry Wall Screw PH2 3.9 x 40 mm	8
	020_315	Rope Polyester 16mm Green 2.25m	2
	020_319	Rope Polyester 16mm Green 7.45m	1
	022_455	Rope Cross Connector Egg	8
Timber	A141	Post ca.70x70 L1410	1
	C70	Beam 700 mm	1
	C141	Beam 1410 mm	2

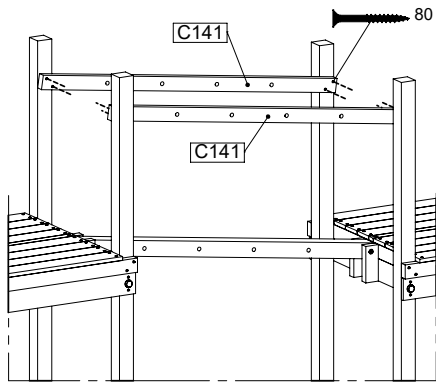
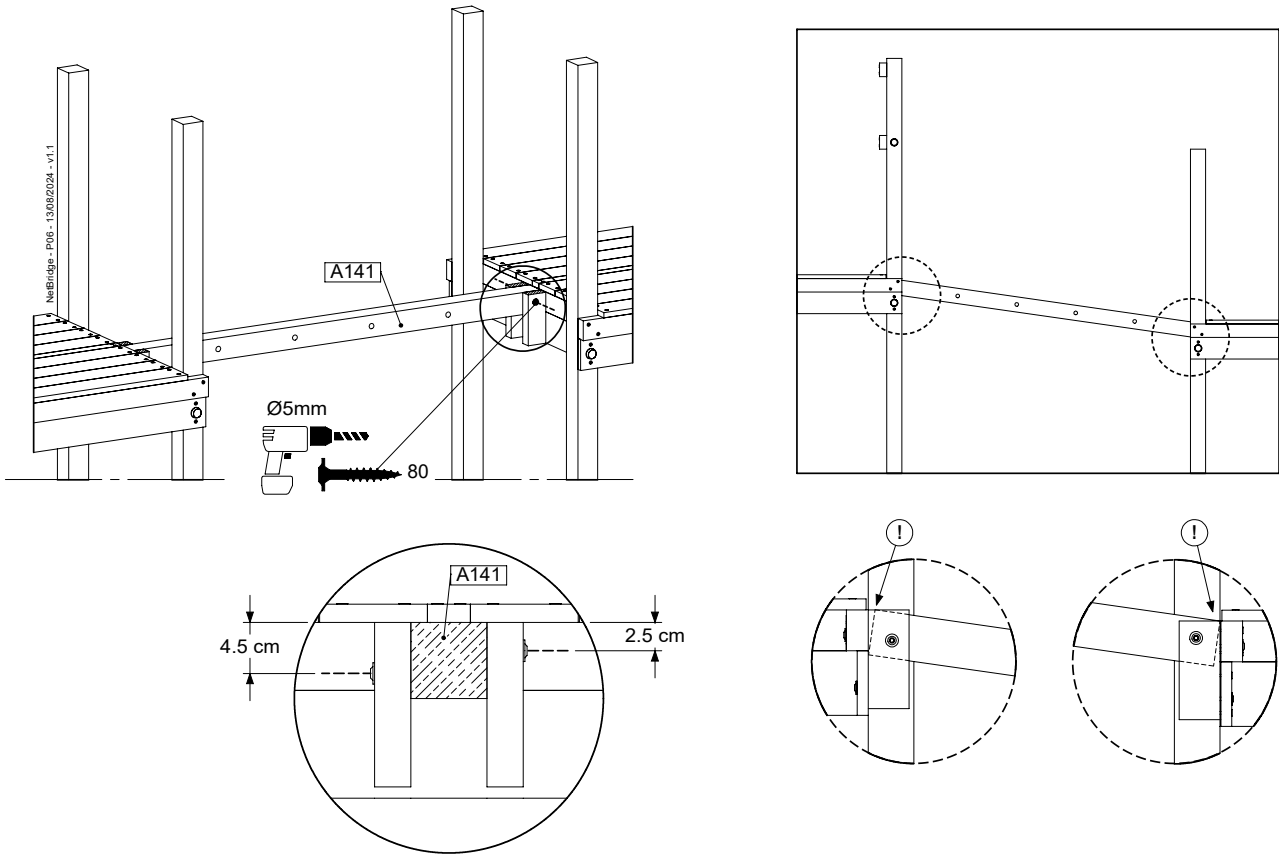
NetBridge - P03 - 13/08/2024 - v1.1



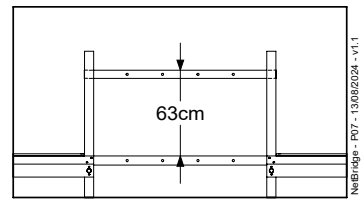
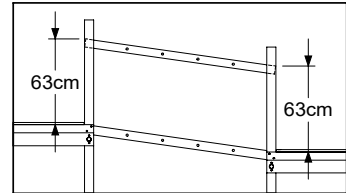


NetBridge - P04 - 13/08/2024 - v1.1

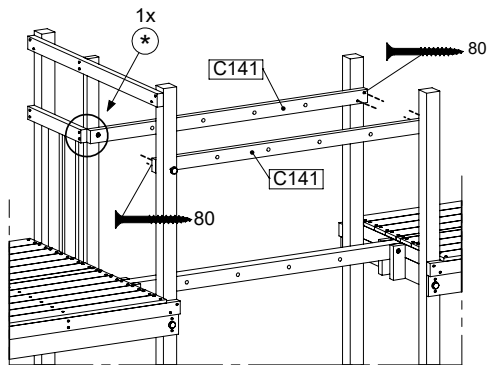




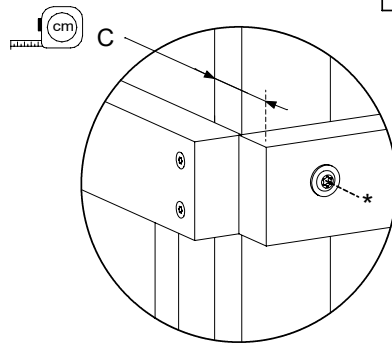
Base Tower 80



NetBridge - P07 - 13.08.2024 - v1.1



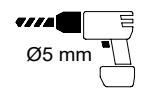
Base Tower 115
Base Tower 140

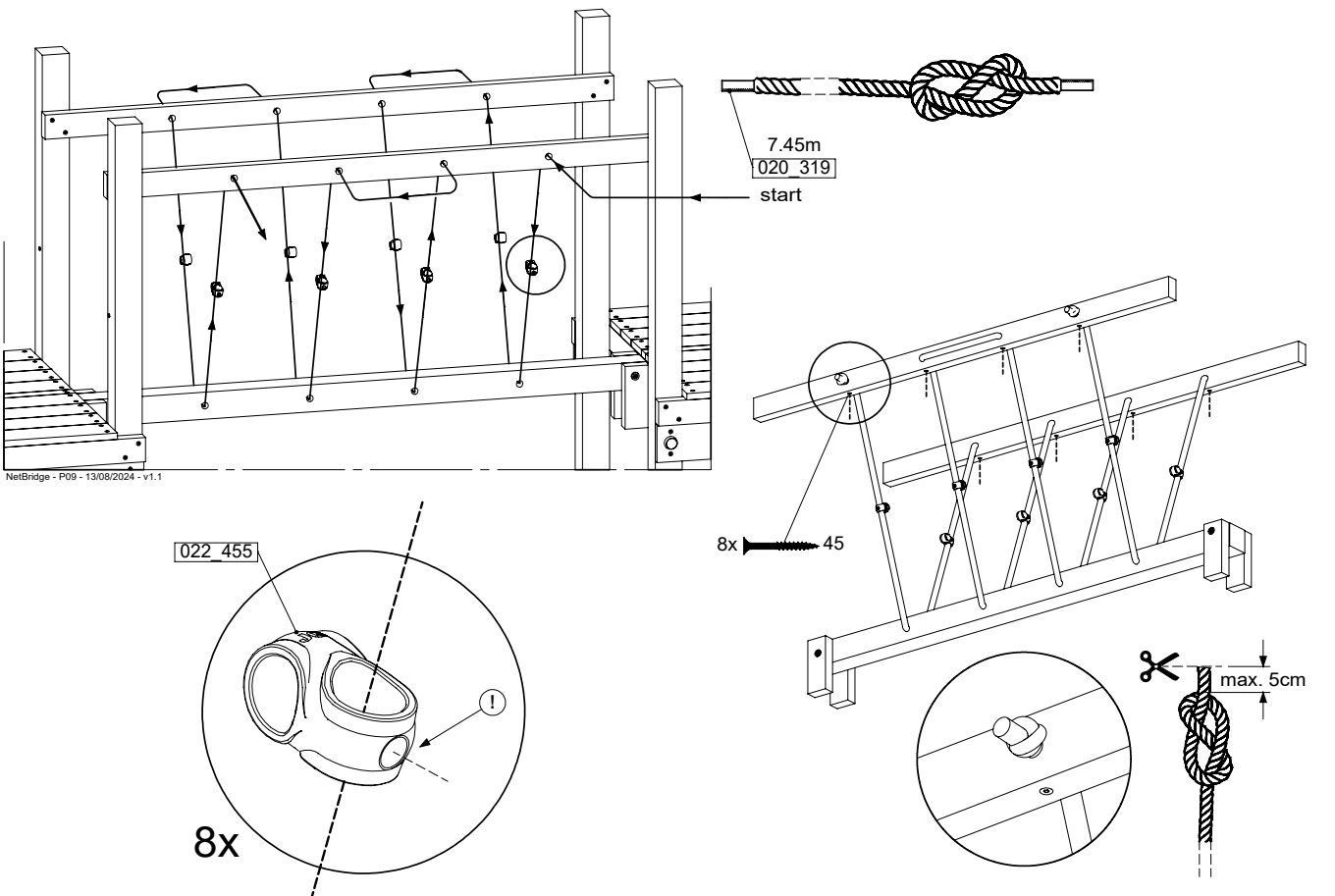
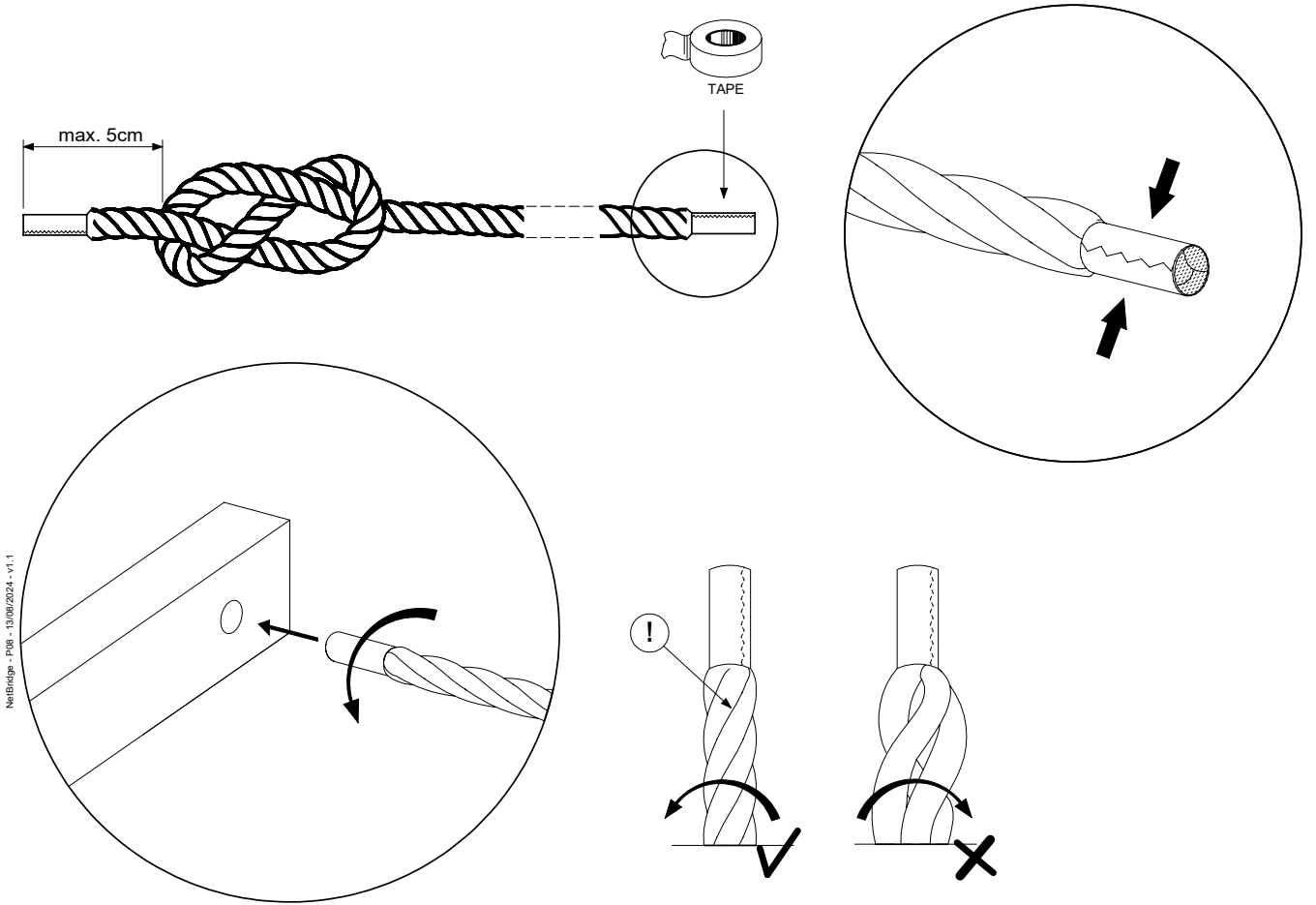


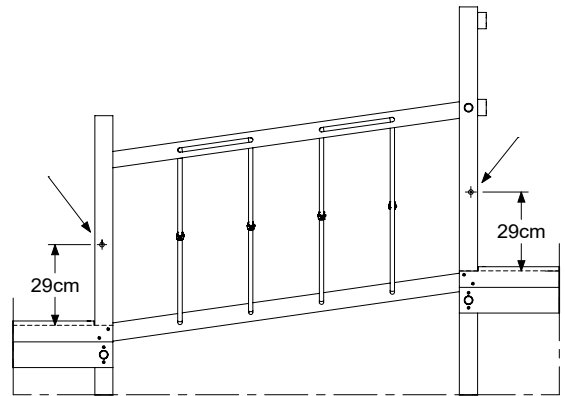
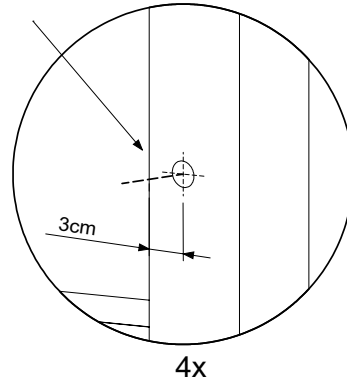
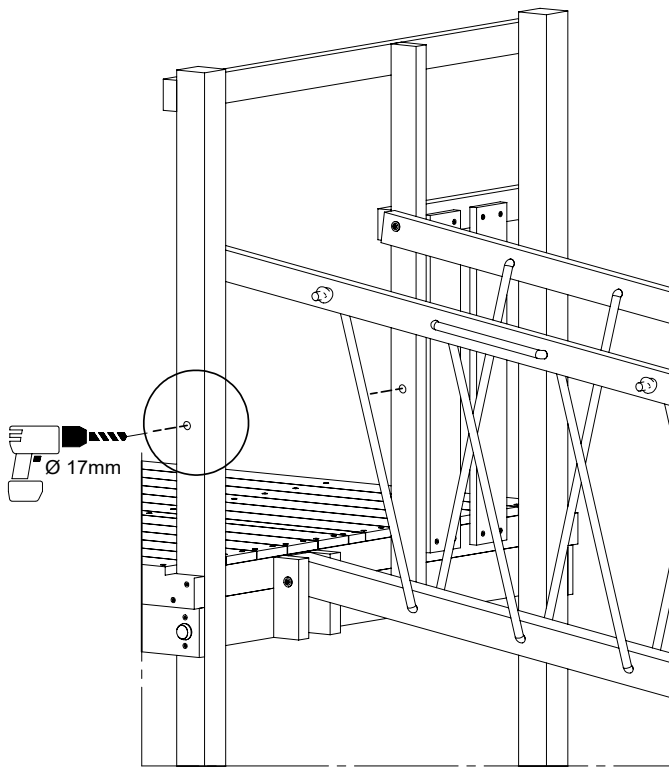
BF - Bridge Frame

$C \geq 8\text{cm}$ → 2x 80

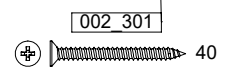
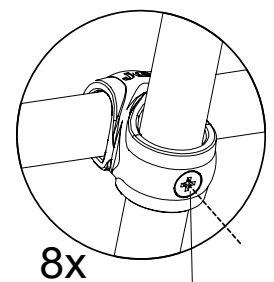
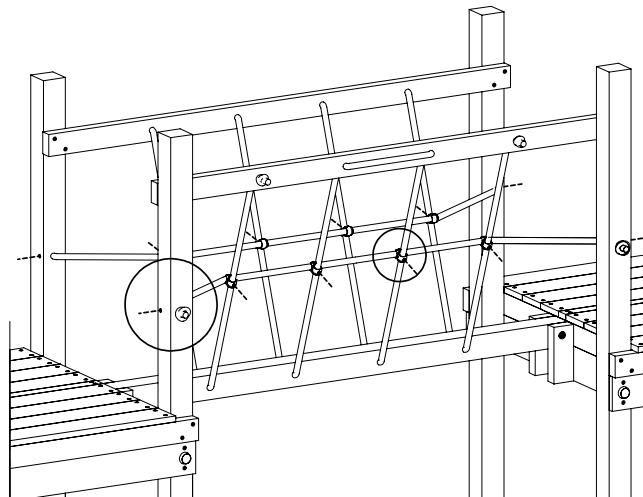
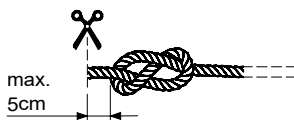
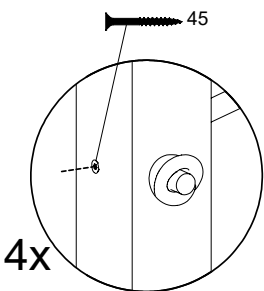
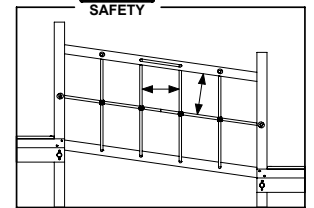
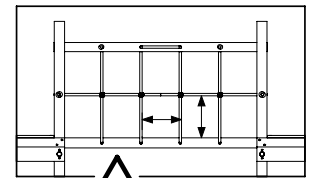
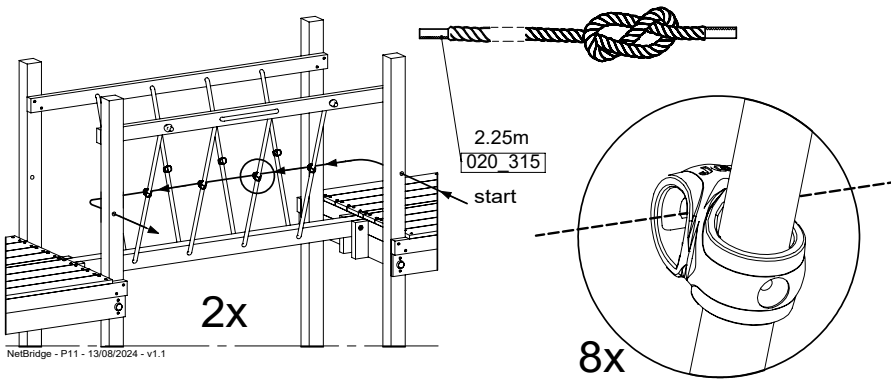
$C < 8\text{cm}$ → 1x 60







NetBridge - P10 - 13/08/2024 - v1.1

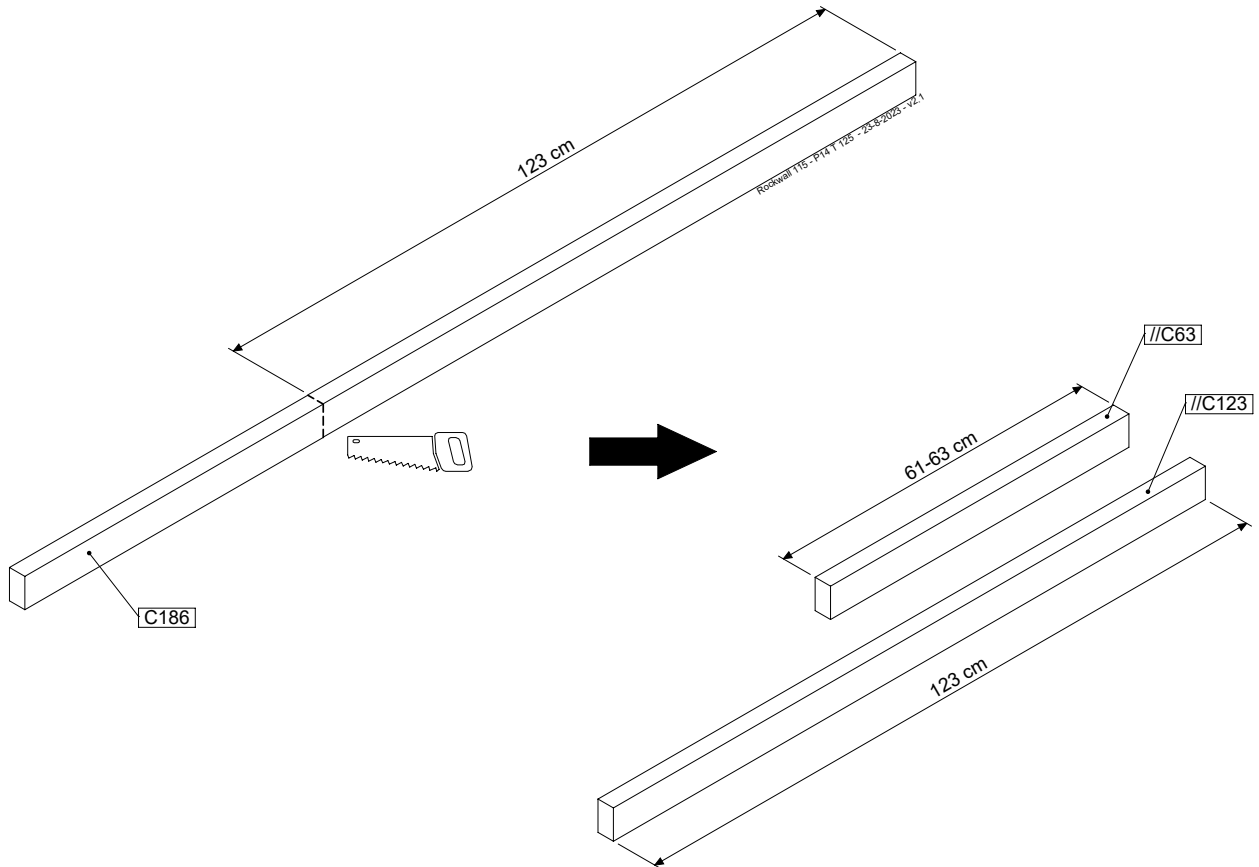
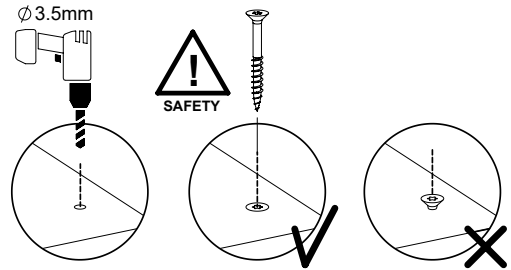
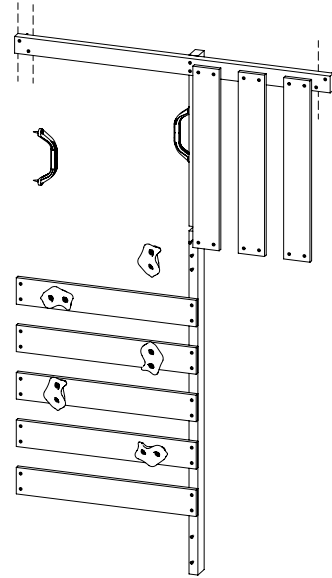


10 RW07a: Rock wall 115 145 T Left

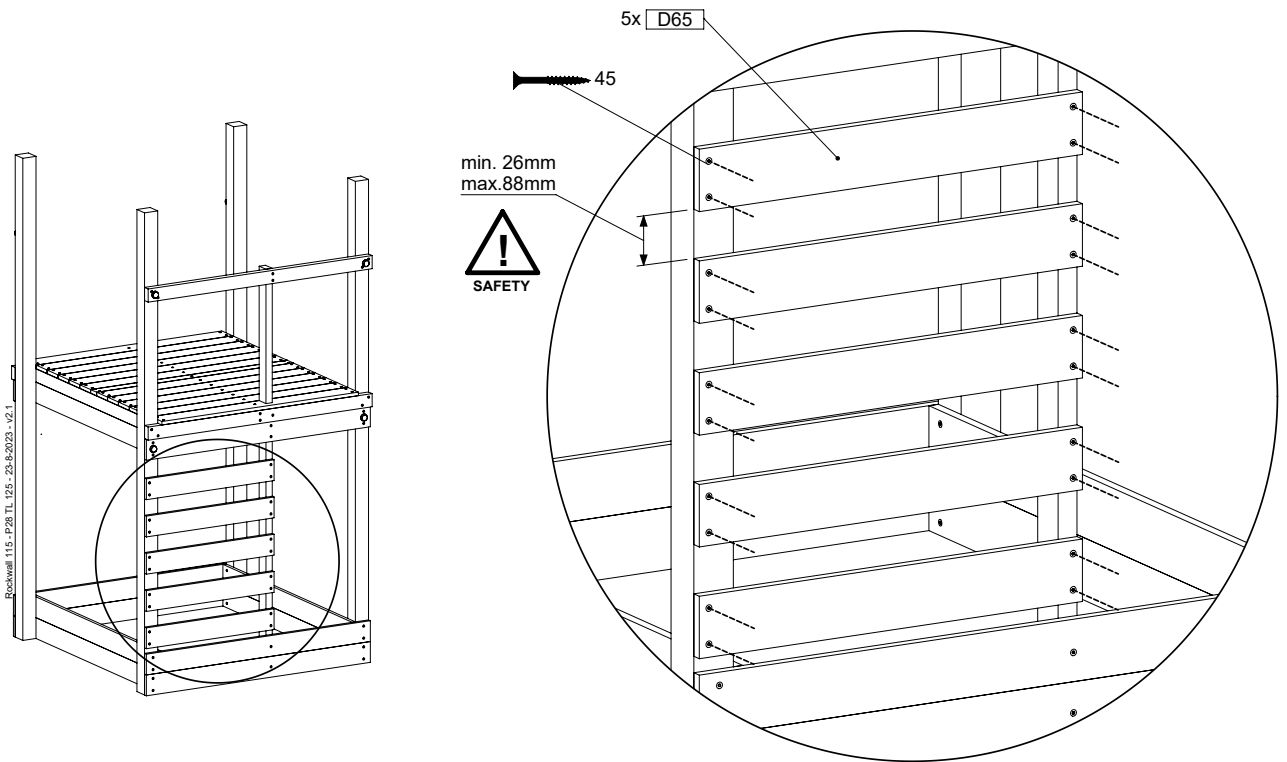
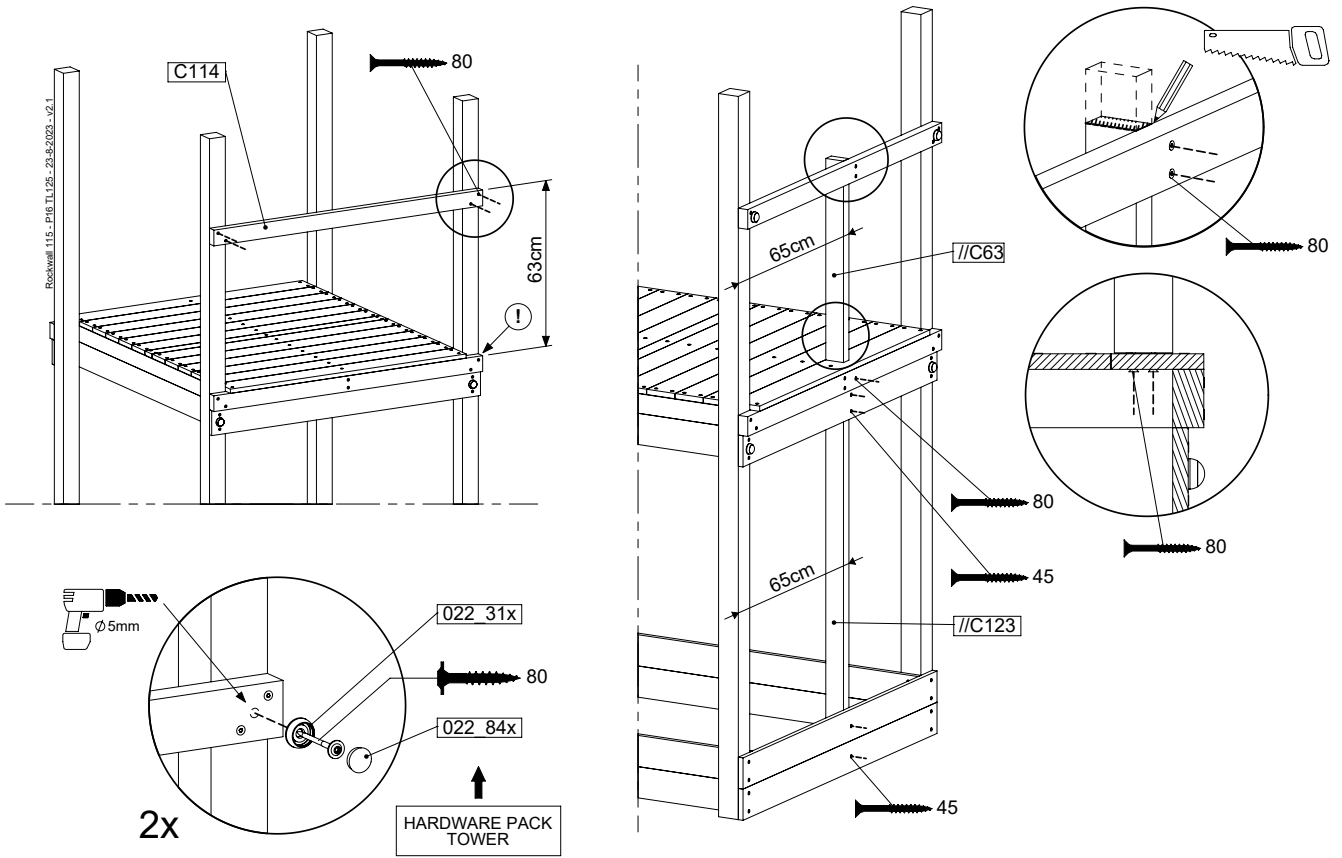
(194_006 + 194_101)

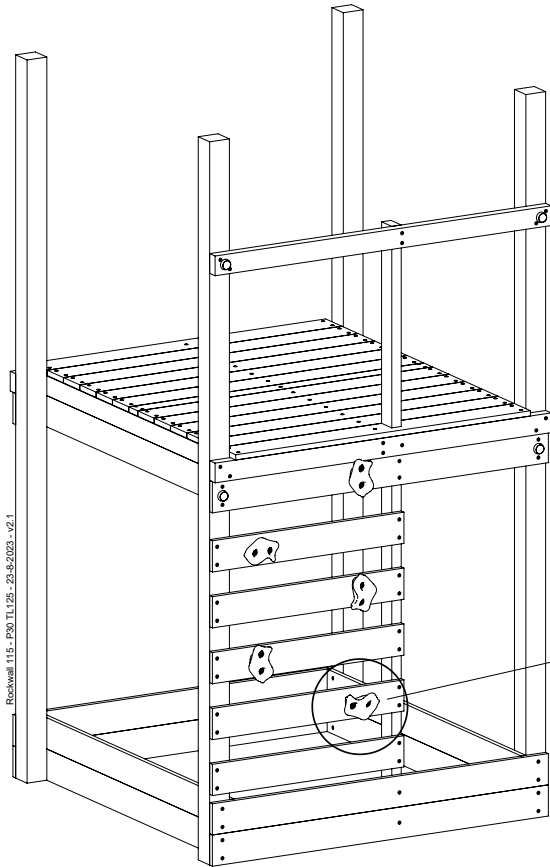
	PartNo	PartName	QTY.
Hardware Pack	001_102	Washer Head Screw T40 M8x30	10
	002_220	Gap Point Screw T25 - 5x45	36
	002_223	Gap Point Screw T25 - 5x80	9
	003_010	M8 spring lock washer	10
	004_050	M8 Drive-in Nut 22mm	10
Other	022_50x	Climbing Rock	5
	120_102	Handgrip set (complete 2x)	1
Timber	C114	Beam 1140 mm	1
	C186	Beam 1860 mm	1
	D65	Board 650 mm	8

Rockwall 115 - P016 TL 105 - 23-8-2023 - v2.1

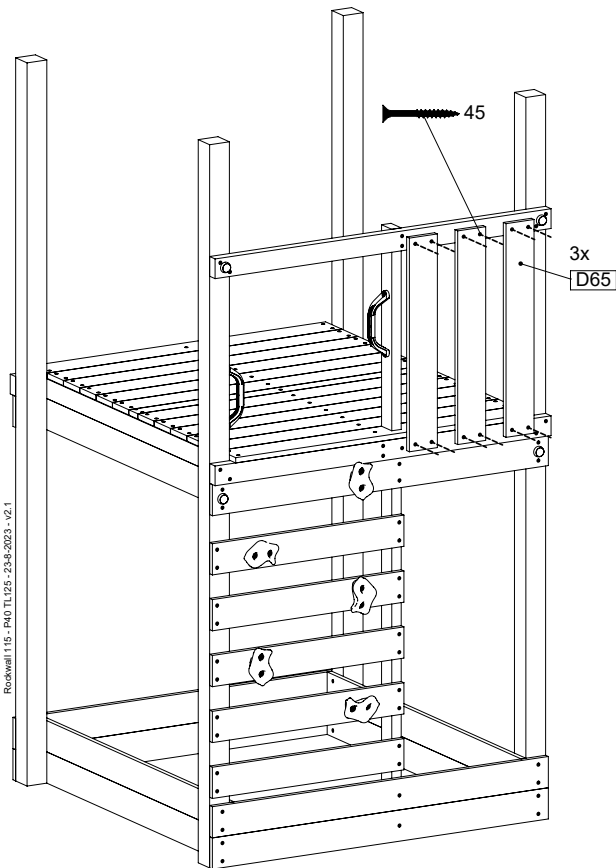
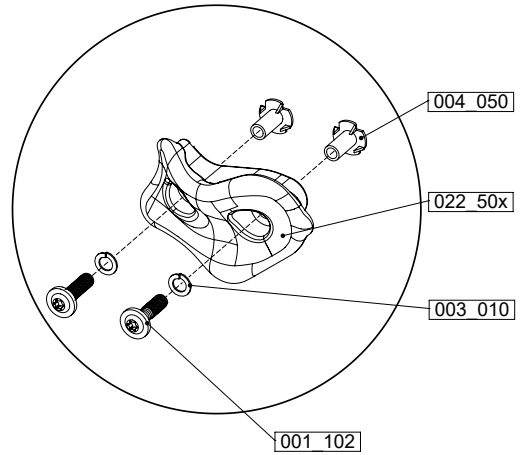
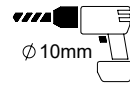
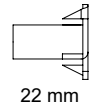
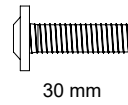


10.1





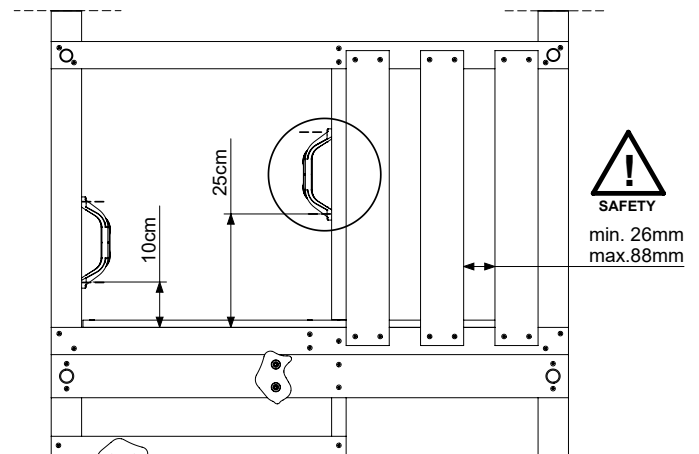
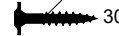
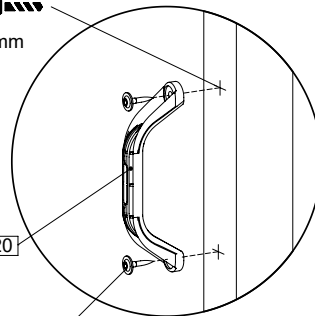
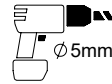
Rockwell 115 - P30 TL1P5 - 23-B-2023 - v2.1



Rockwell 115 - P40 TL1P5 - 23-B-2023 - v2.1



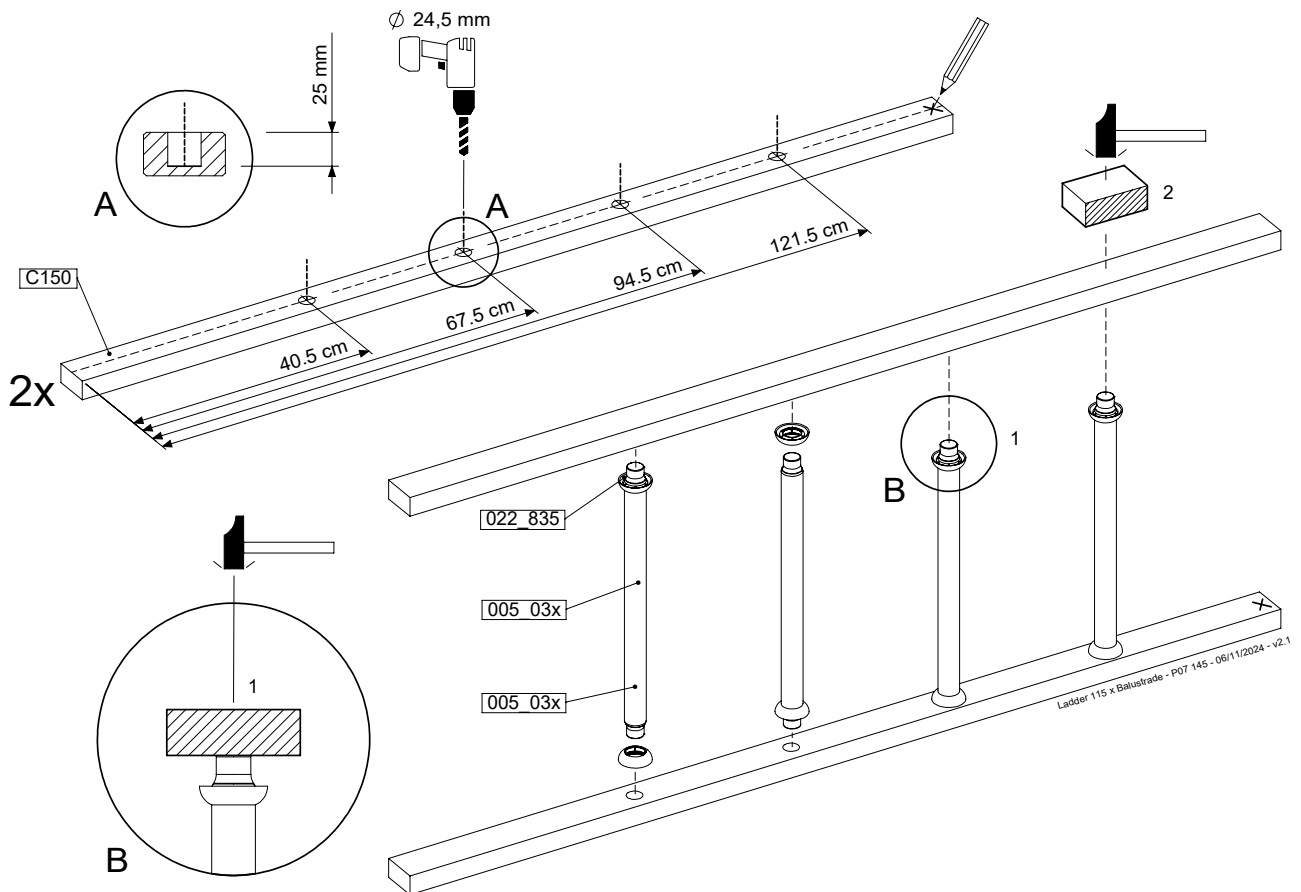
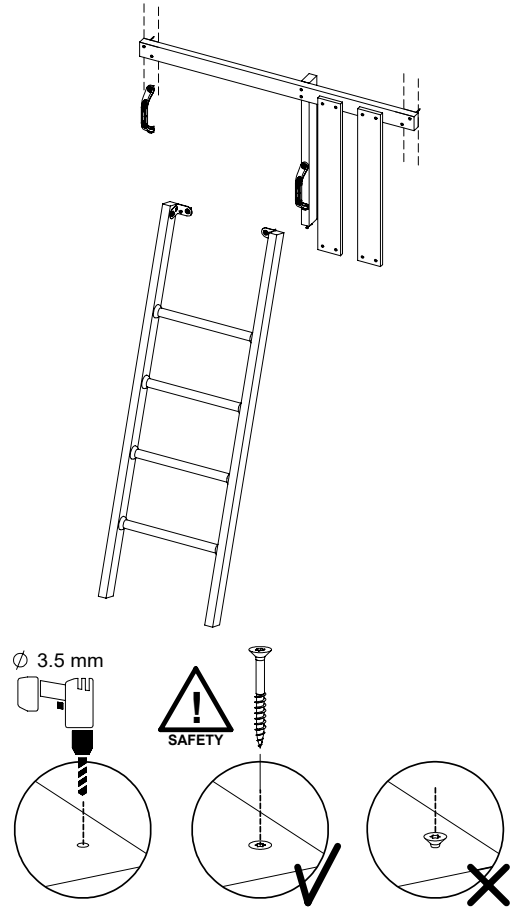
3x
D65

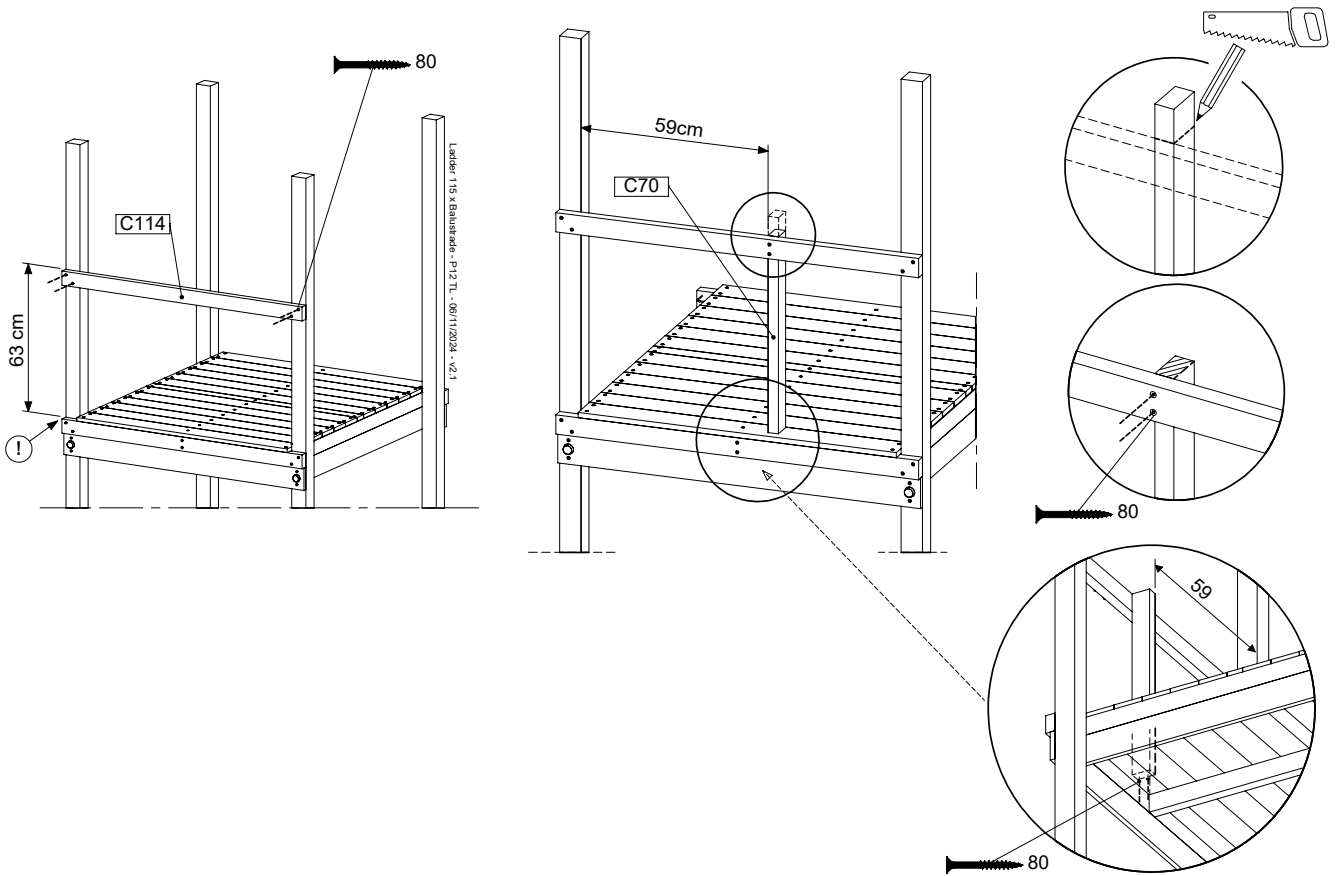
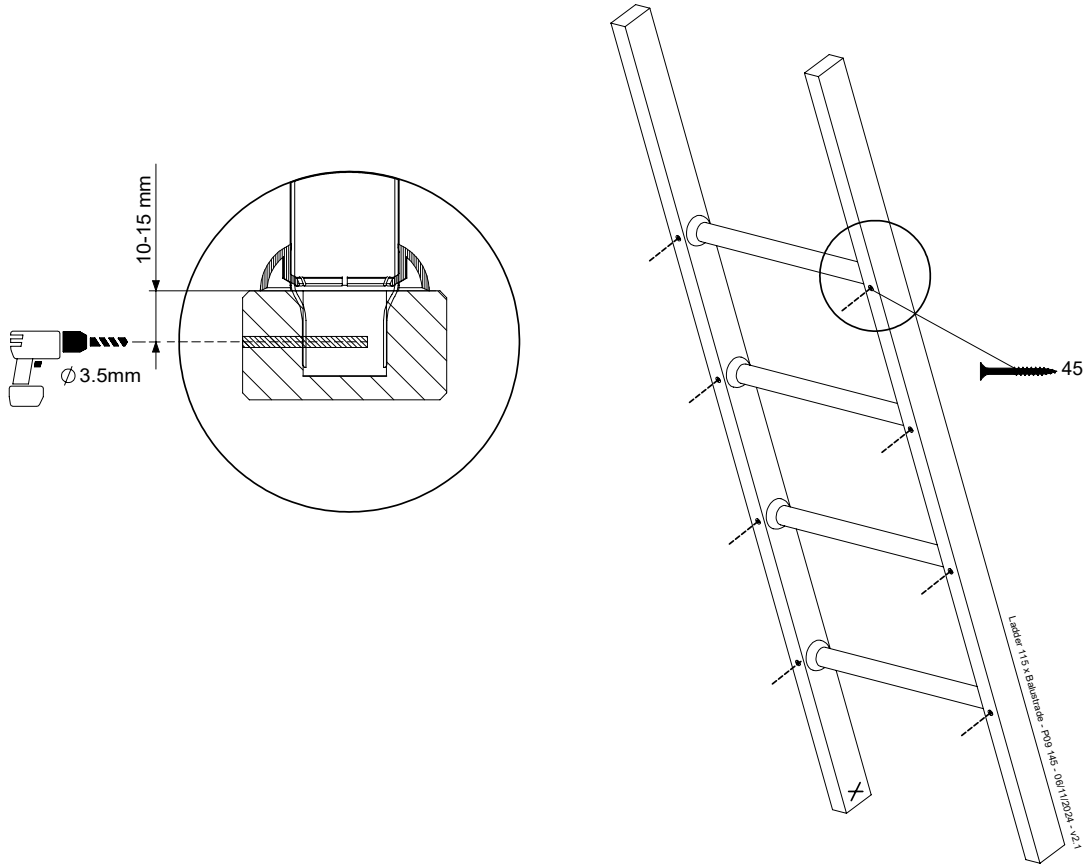


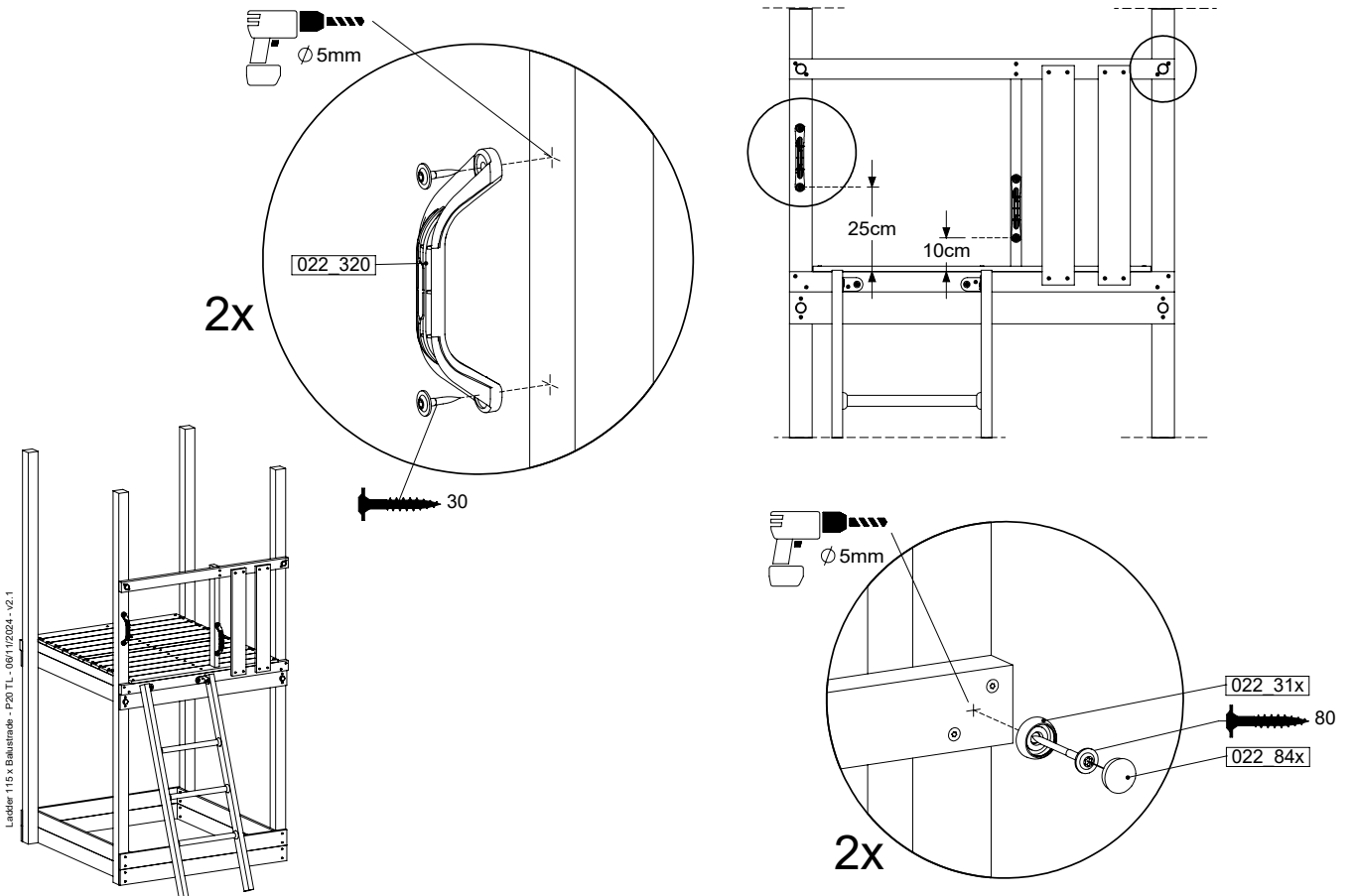
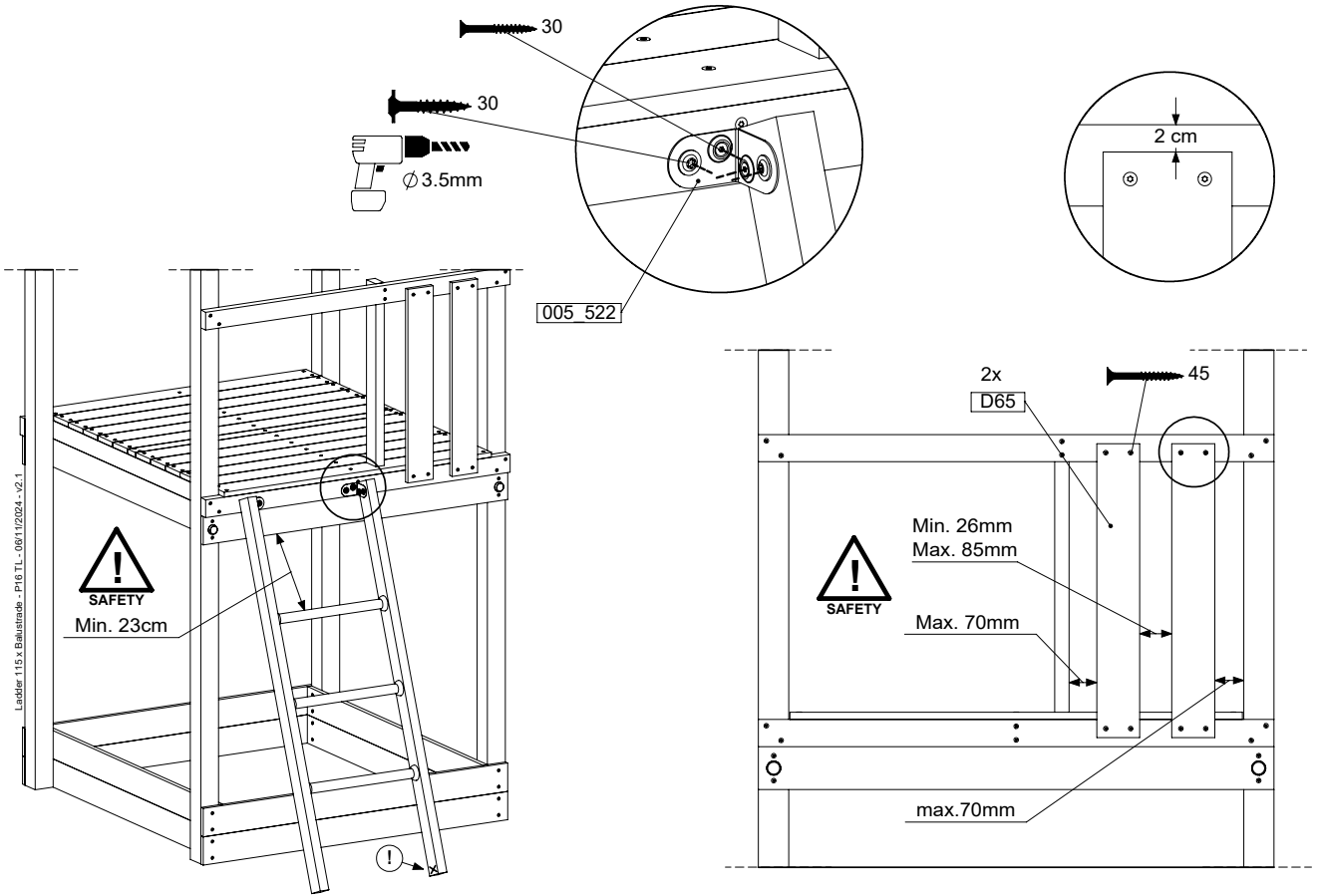
11 LA17a: Ladder 115 145 T Left

Assembly Packs: 194_101 + 194_004 / 194_104

	PartNo	PartName	QTY.
Hardware + Parts	001_404	Stealth Screw 8x30	4
	002_219	Gap Point Screw T25 - 5x30	4
	002_220	Gap Point Screw T25 - 5x45	16
	002_223	Gap Point Screw T25 - 5x80	8
	005_03x	Ladder Rung Y/B/G/R	4
	005_522	Connection Bracket Mini Market	2
	022_835	Rung Cap	8
	120_102	Handgrip set (complete 2x)	1
Timber	C114	Beam 1140 mm	1
	C150	Beam 1500 mm	2
	C70	Beam 700 mm	1
	D65	Board 650 mm	2





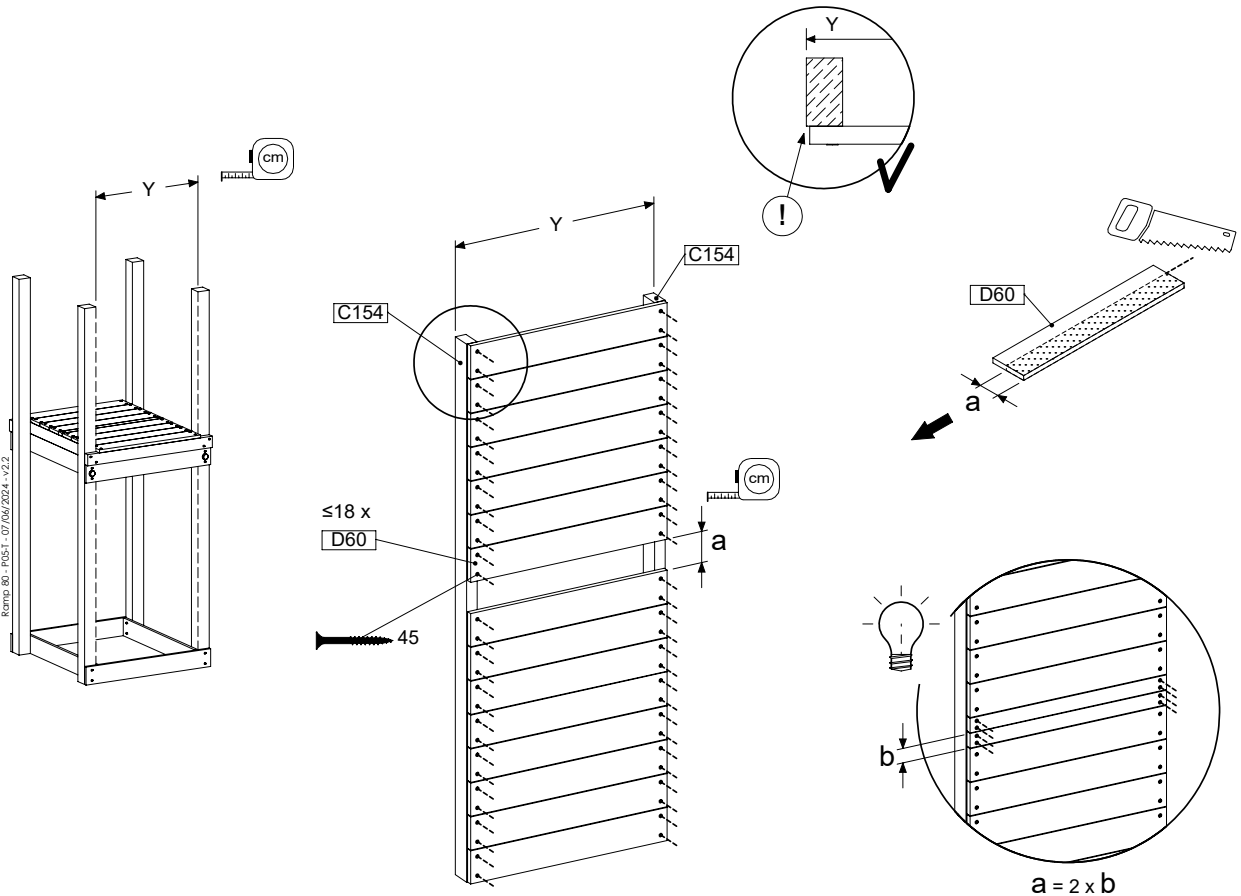
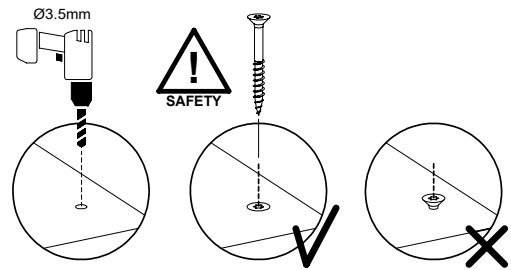
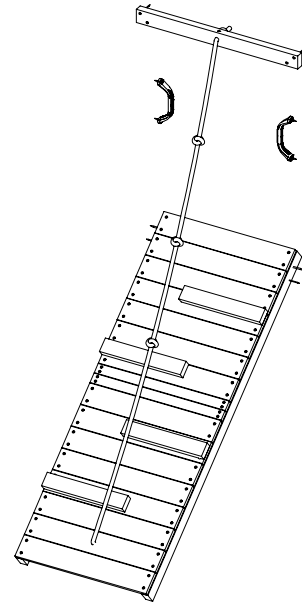


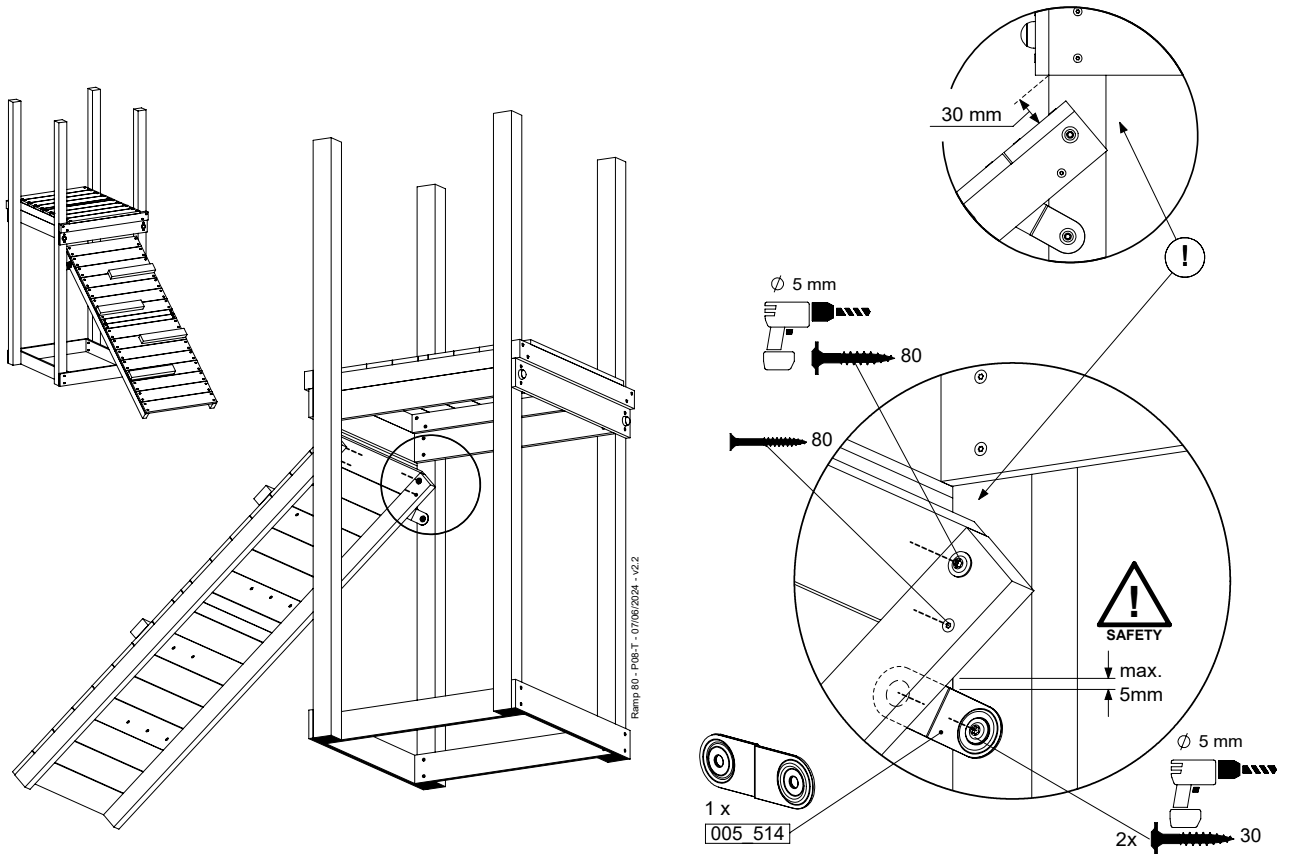
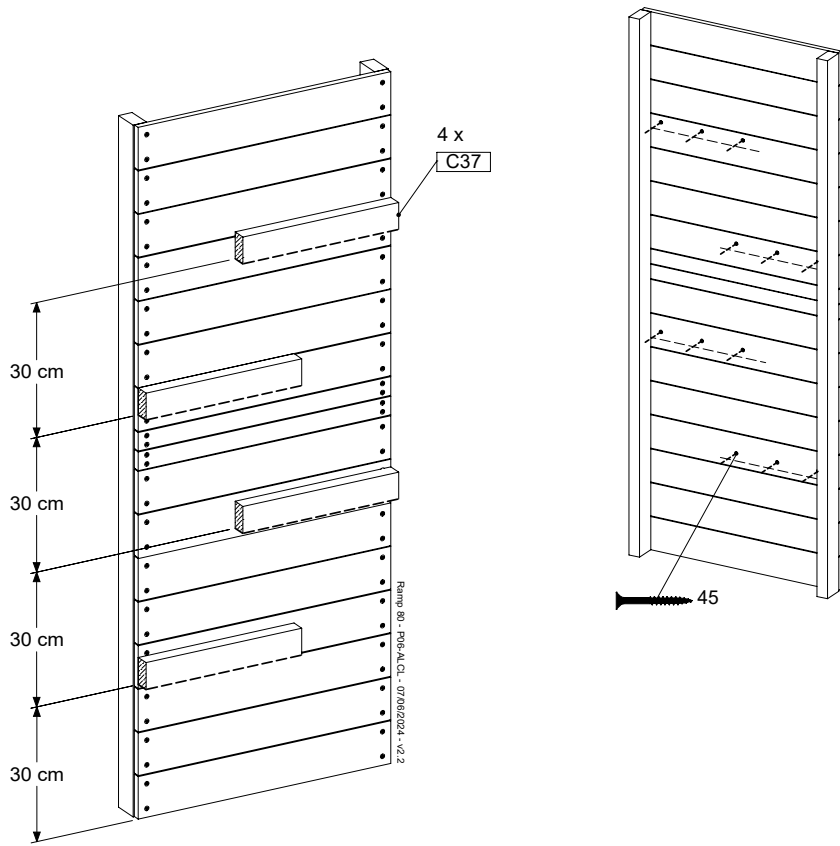
12 RA04a: Ramp 80 125 T

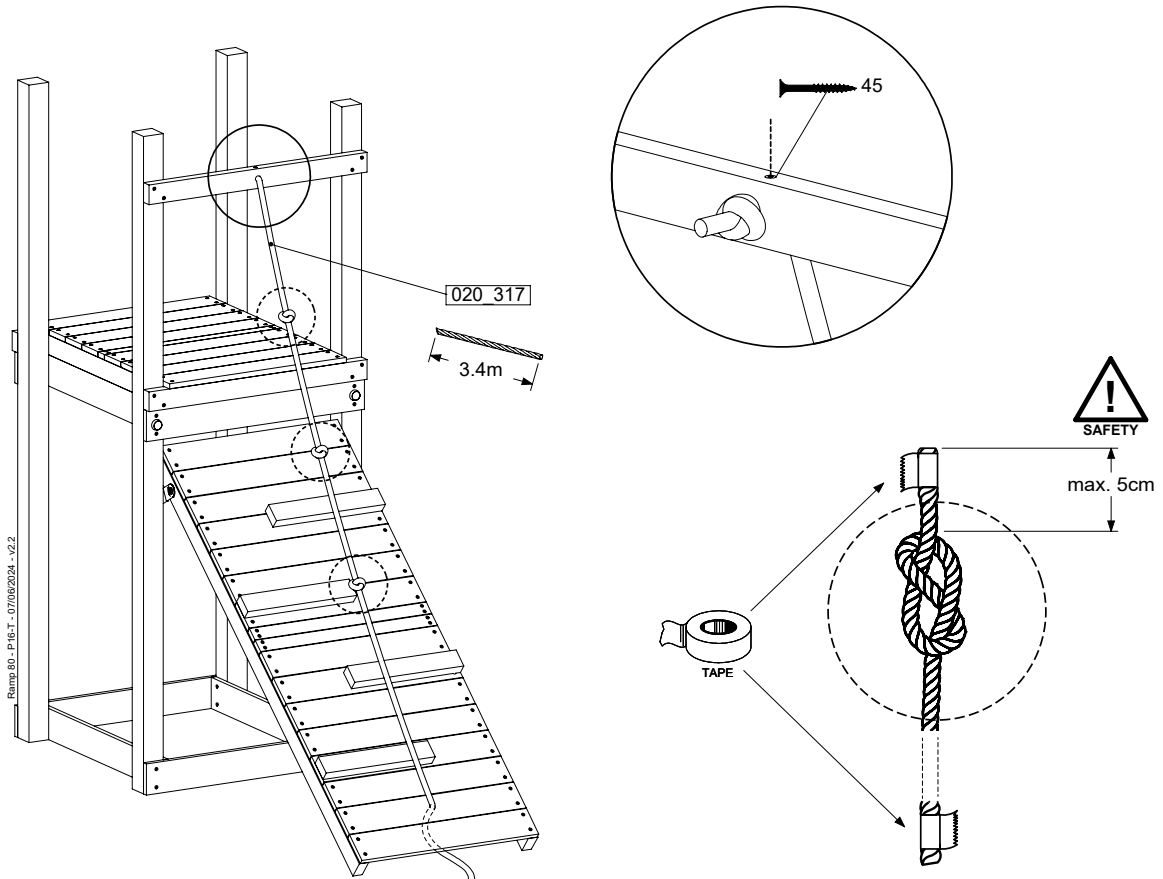
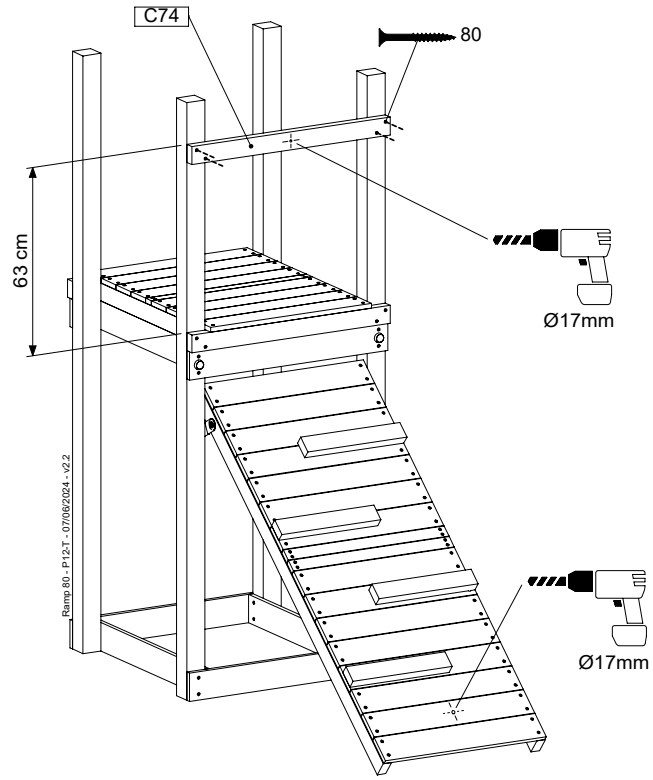
Assembly Pack: 194_008

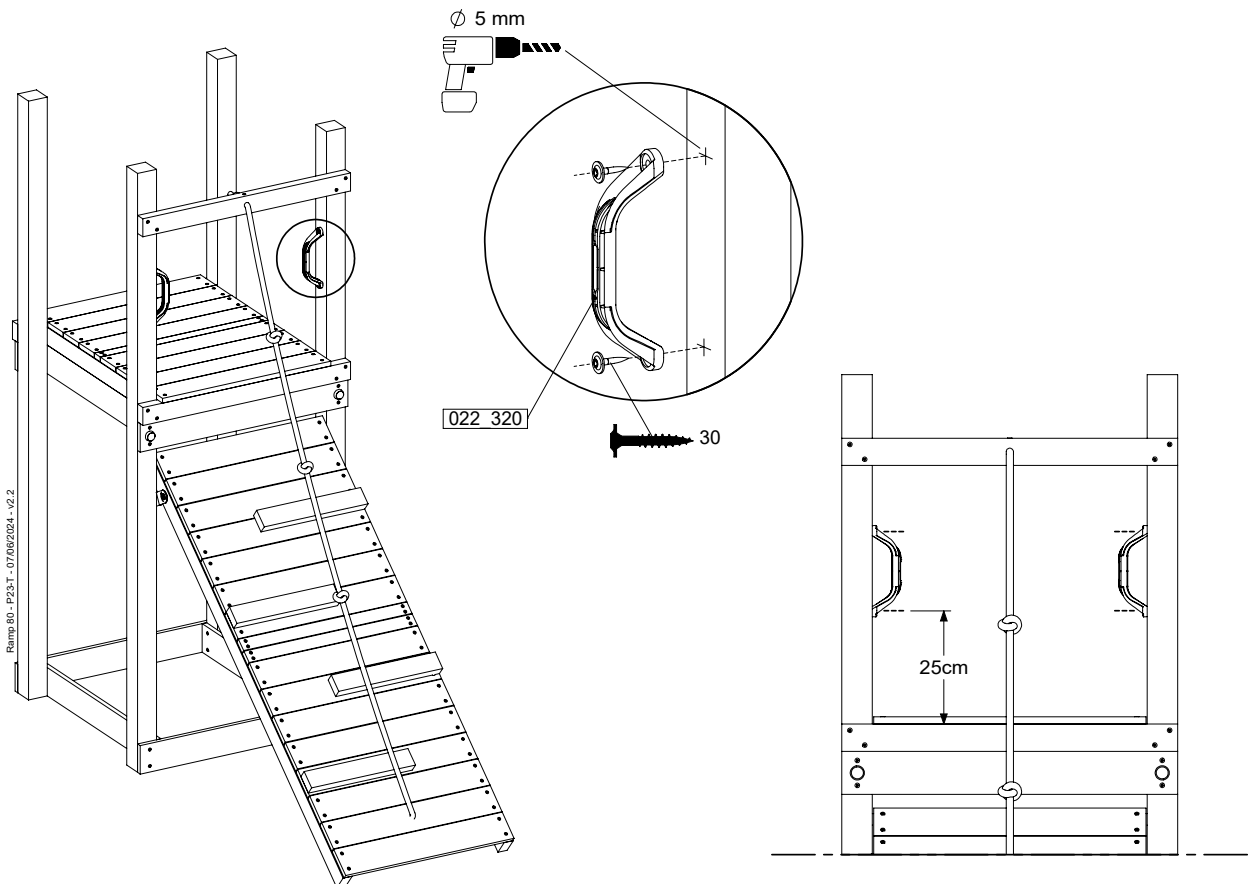
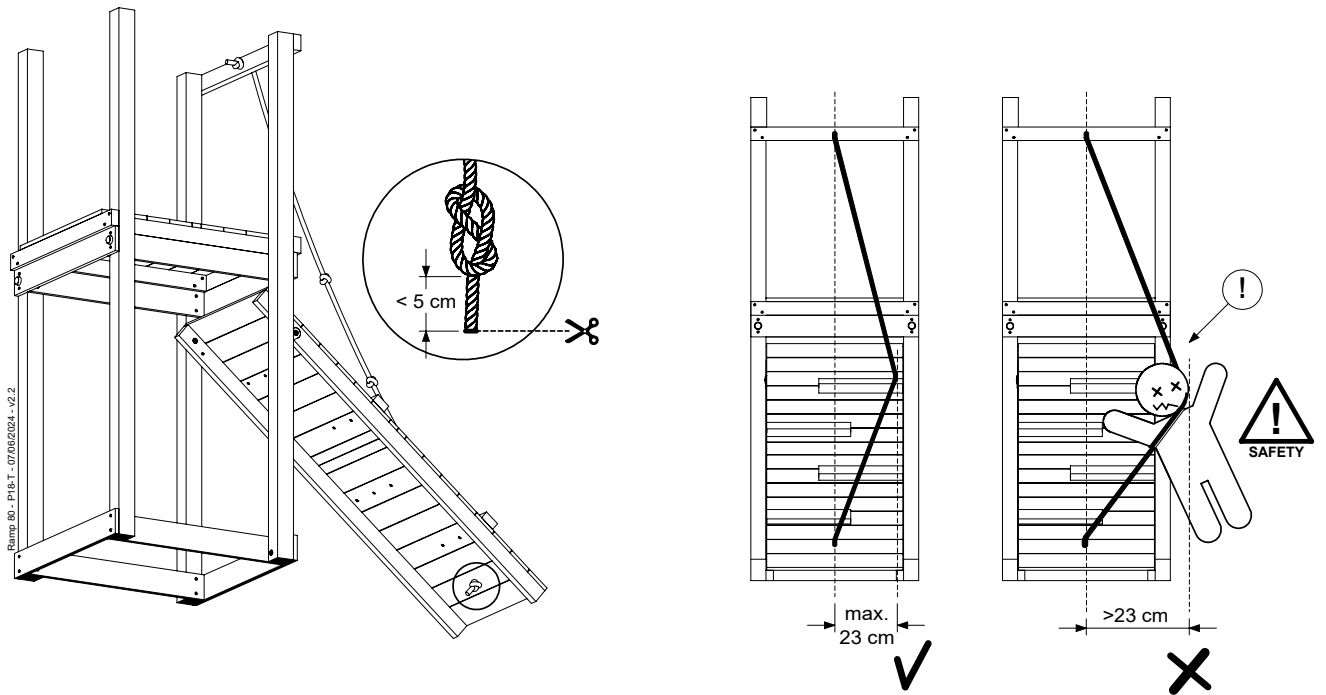
	PartNo	PartName	QTY.
Hardware + Parts	001_404	Stealth Screw 8x30	2
	001_417	Stealth Screw 8x80	2
	002_220	Gap Point Screw T25 - 5x45	85
	002_223	Gap Point Screw T25 - 5x80	6
	005_514	Ladder Bracket	1
	020_317	Rope Polyester 16mm Green 3.4m	1
	120_102	Handgrip set (2x Complete)	1
Timber	C37	Beam 370 mm	4
	C74	Beam 740 mm	1
	C154	Beam 1540 mm	2
	D60	Board 600 mm	18

Ramp 80 - P02-Tbeam - 07/06/2024 - v2.2







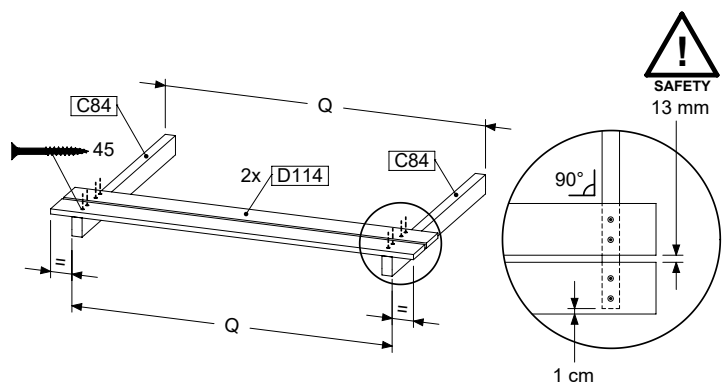
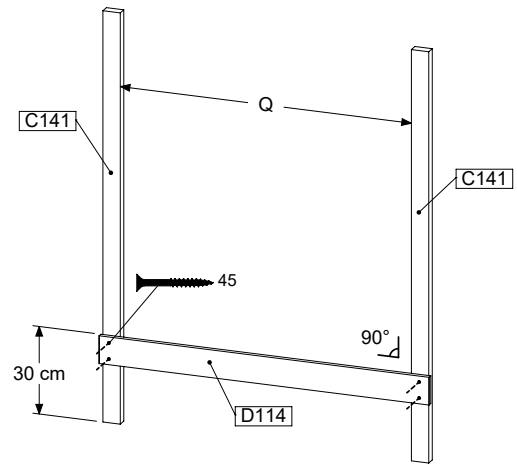
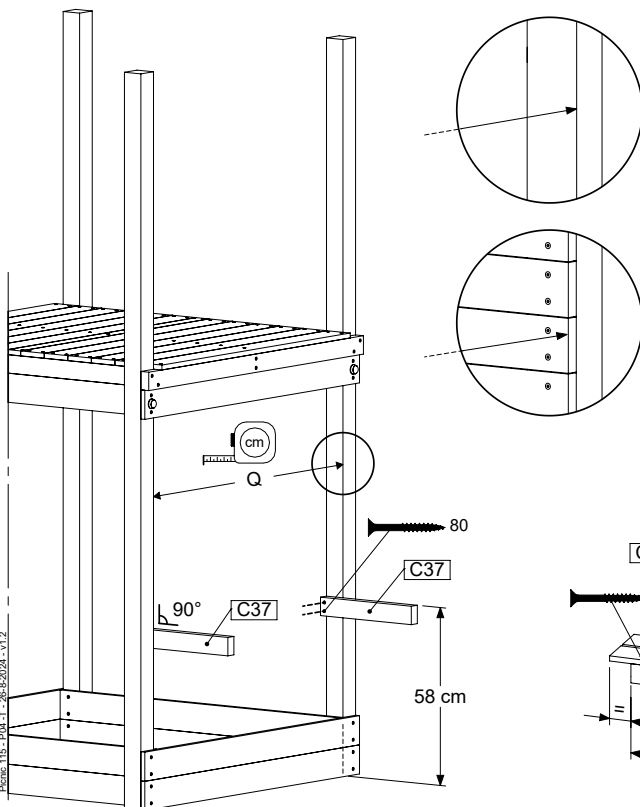
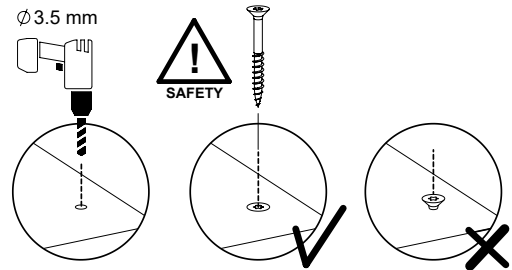
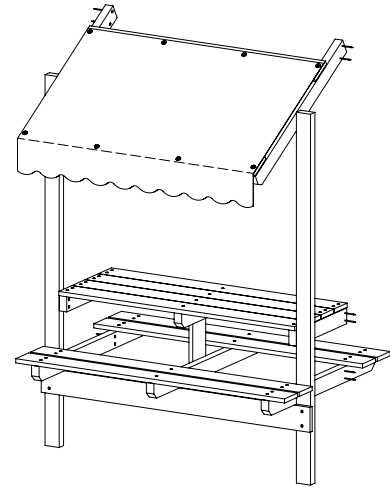


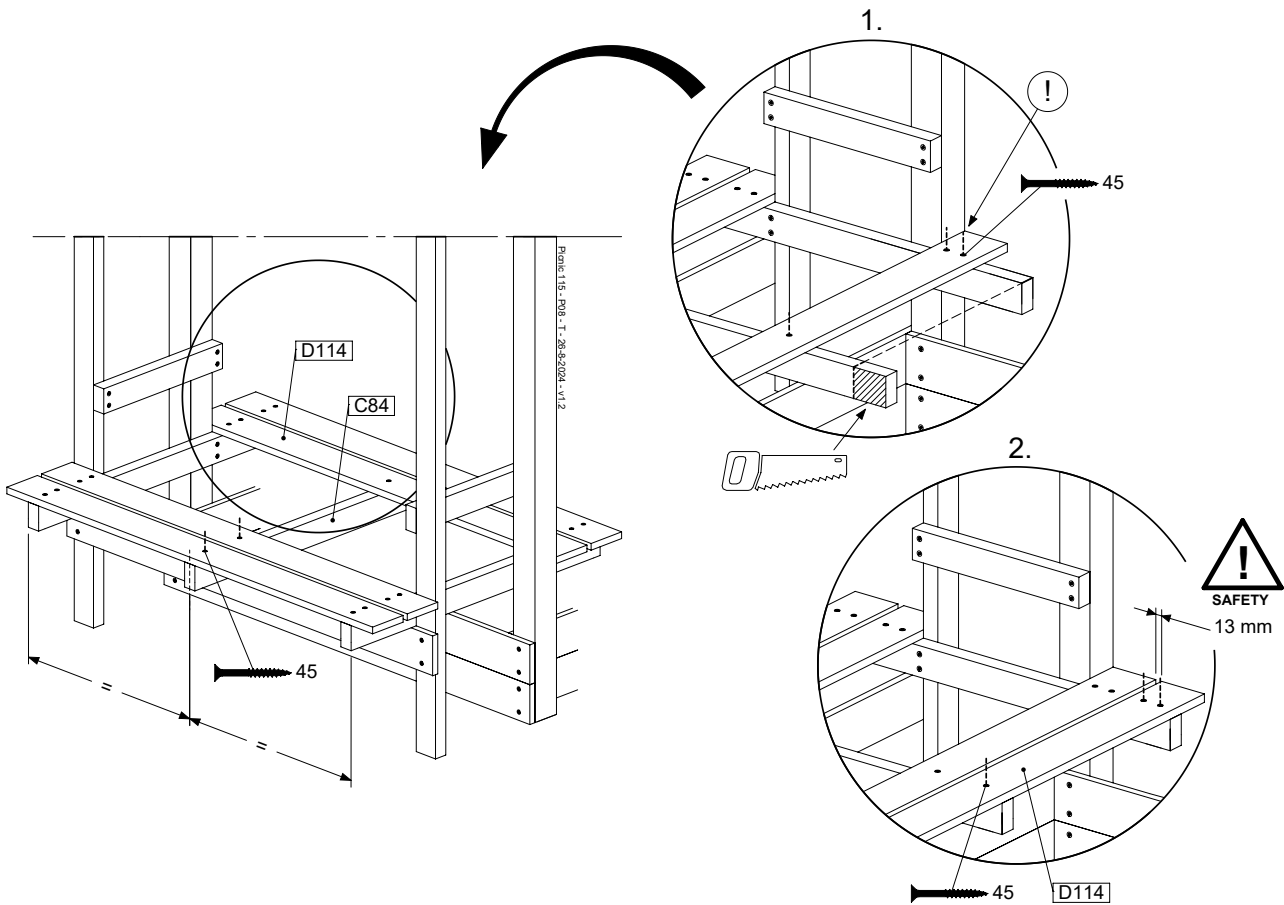
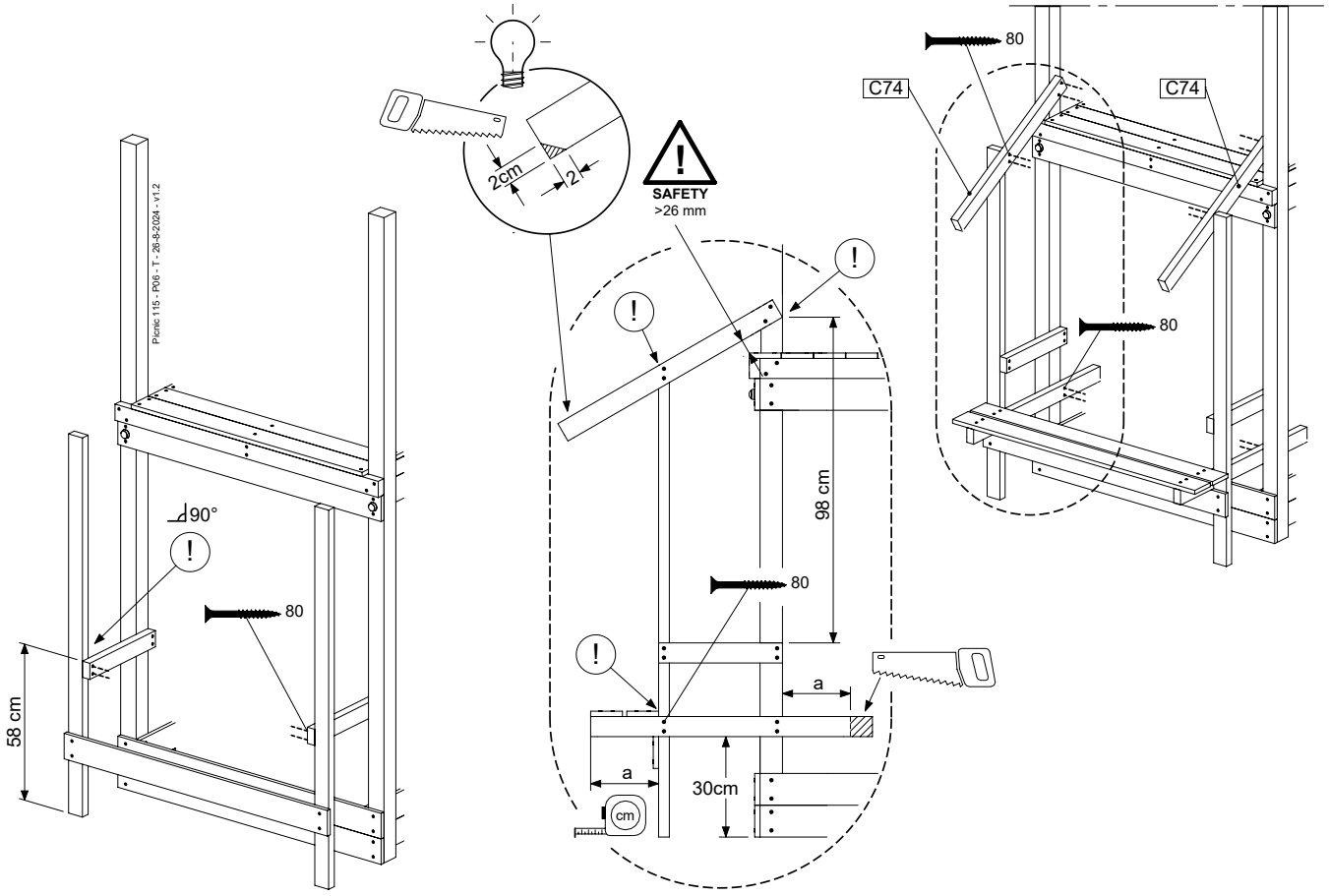
13 PC06a: Picnic 115 T

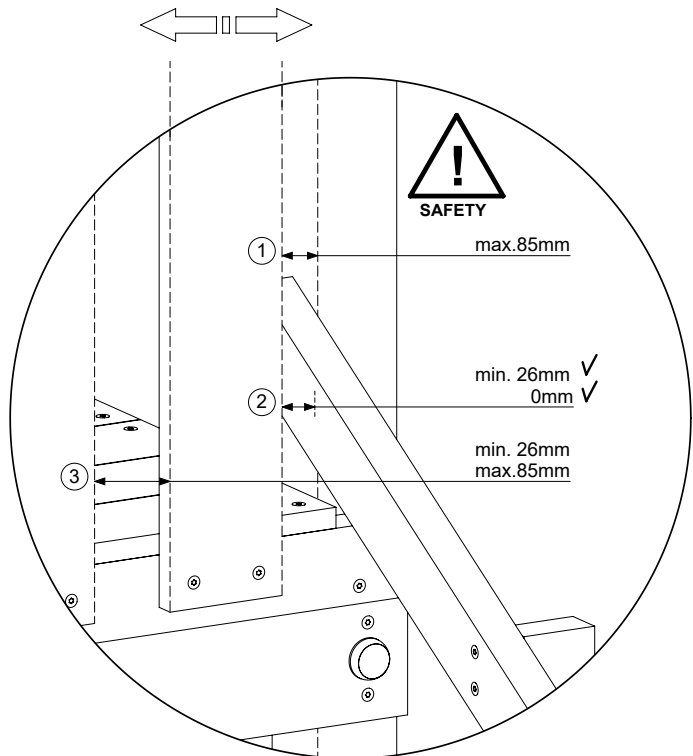
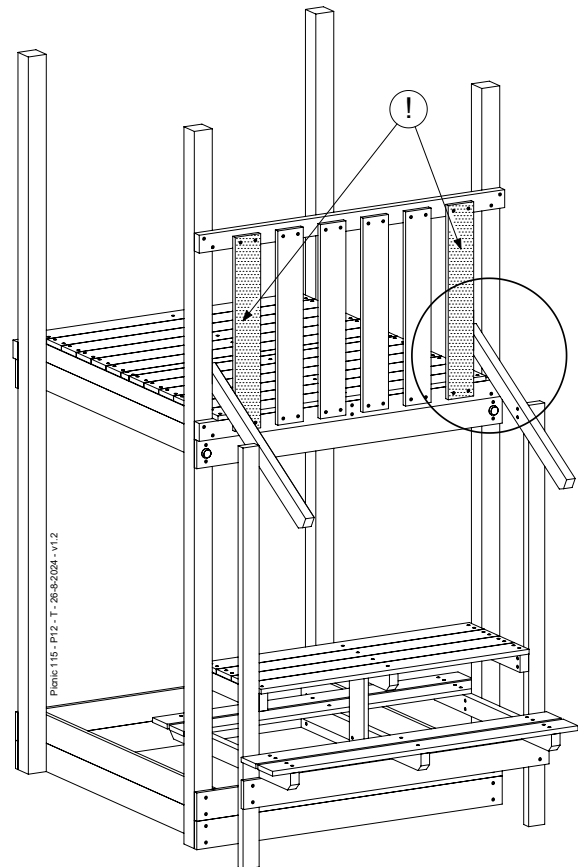
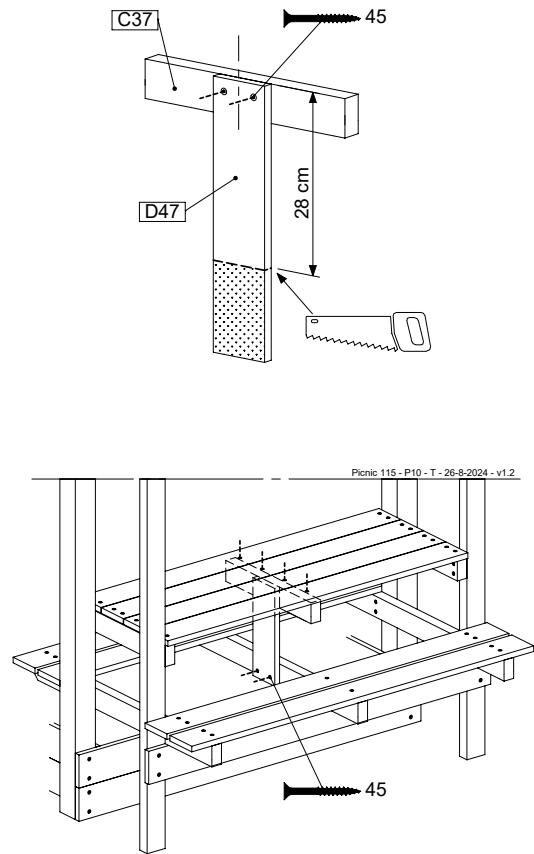
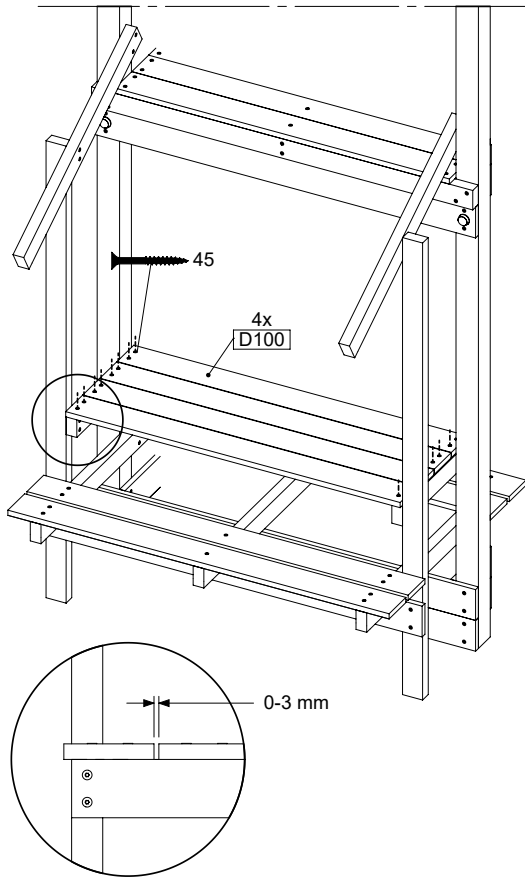
Assembly Pack: 194_810

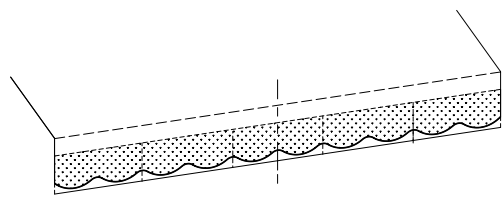
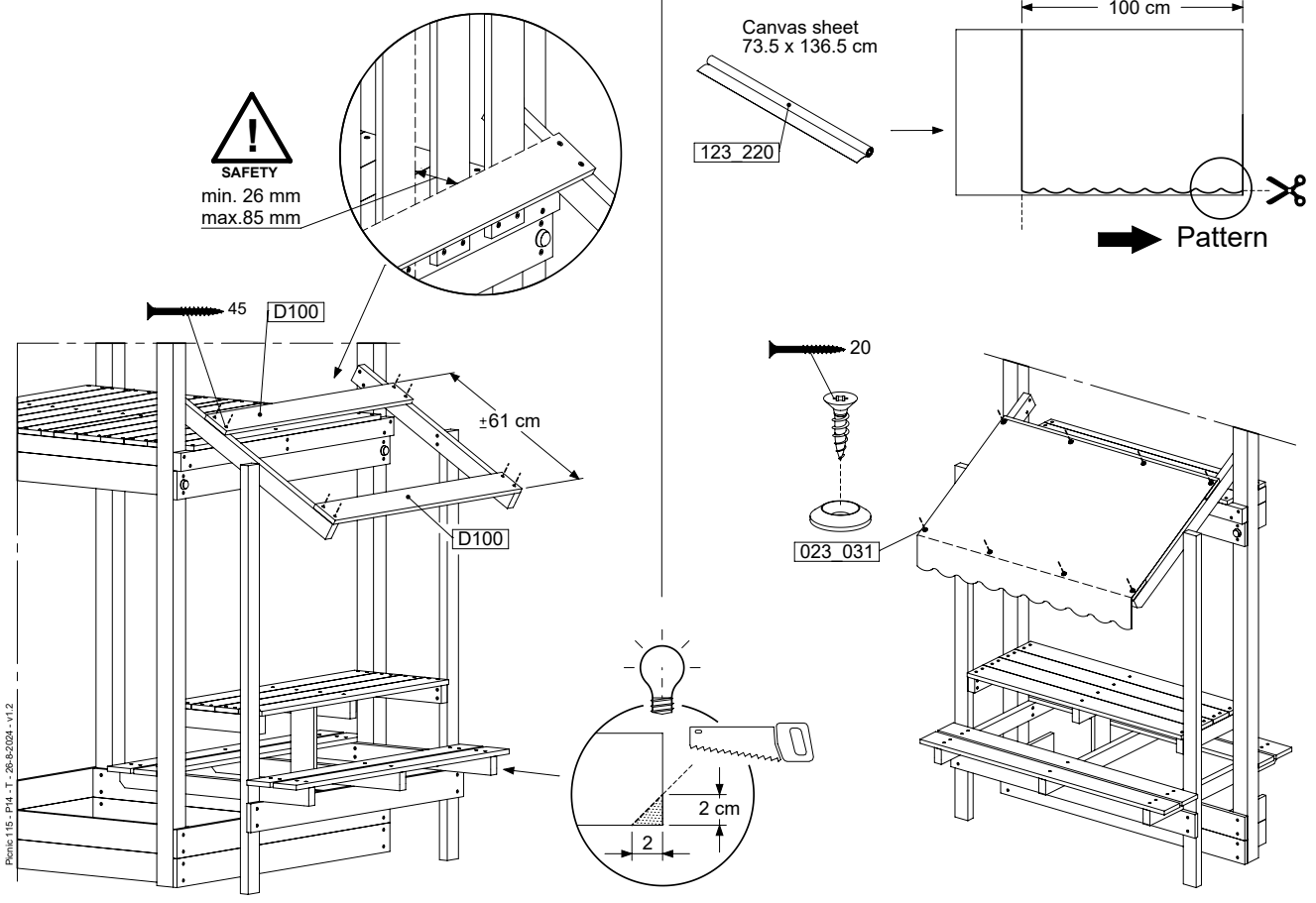
	PartNo	PartName	QTY.
Hardware + Parts	002_220	Gap Point Screw T25 - 5x45	56
	002_223	Gap Point Screw T25 - 5x80	24
	002_308	Gap Point Screw T25 - 5x20	8
	023_031	Finishing Washer GPS 5.0	8
	123_220	Canvas sheet 735x1365mm	1
Timber	C37	Beam 370 mm	3
	C74	Beam 740 mm	2
	C84	Beam 840 mm	3
	C141	Beam 1410 mm	2
	D47	Board 470 mm	1
	D100	Board 1000 mm	6
	D114	Board 1140 mm	5

Picnic 115 - P02 - UJT - 26-8-2024 - v1.2

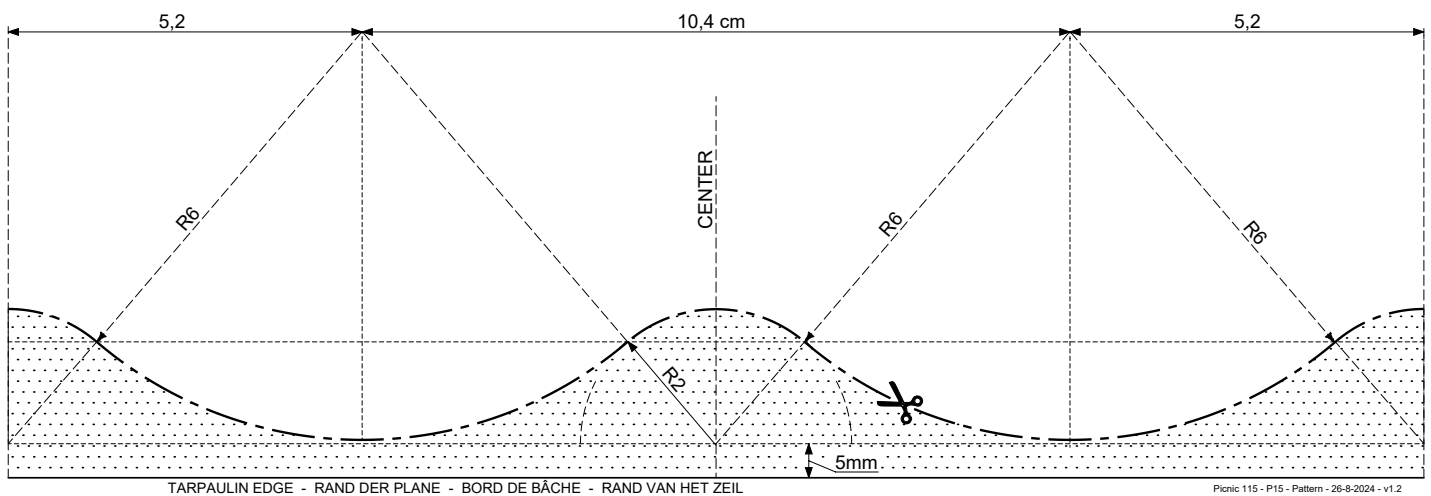








EXAMPLE PATTERN
 BEISPIELVORLAGE FÜR MARKISE
 SCHÉMA SUGGÉRÉ DE DÉCOUPE POUR AUVENT
 VORBEELDSJABLOON LUIFEL



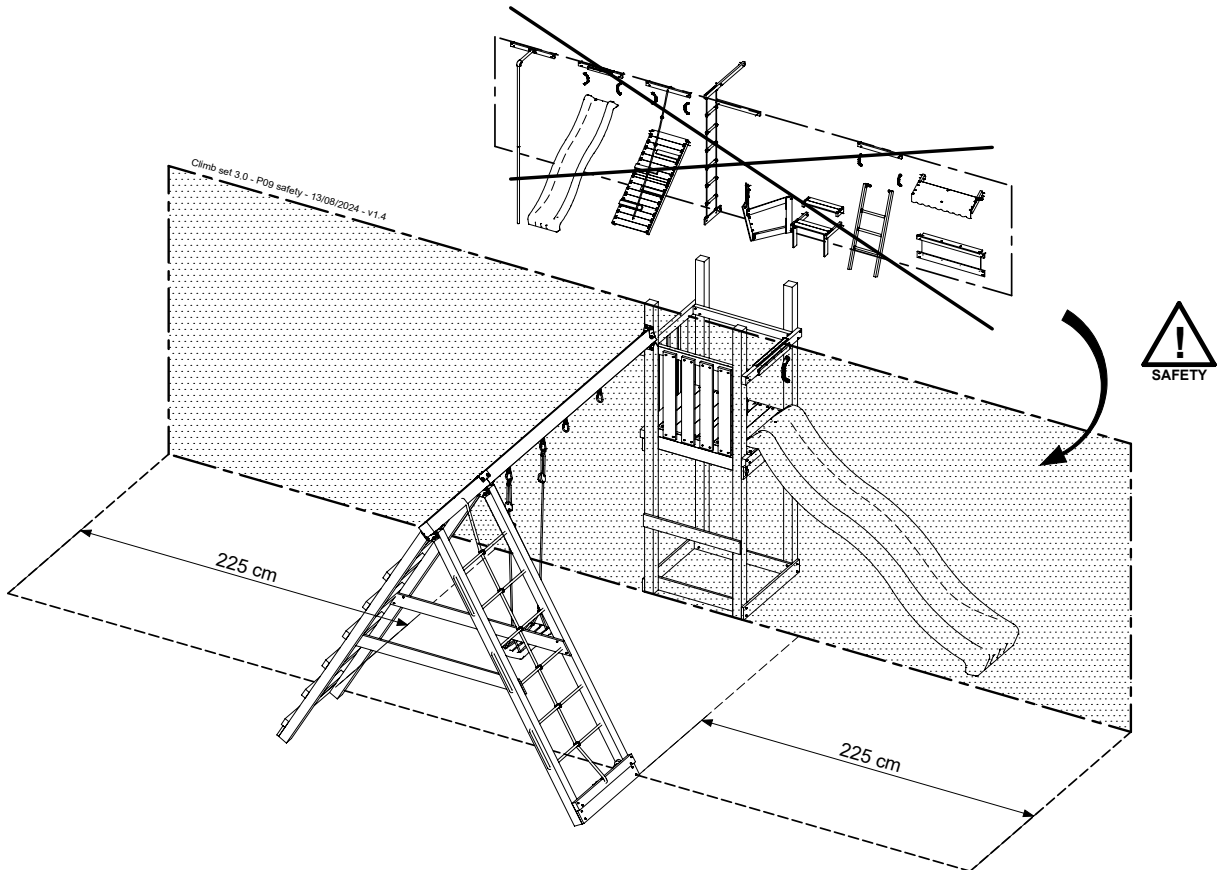
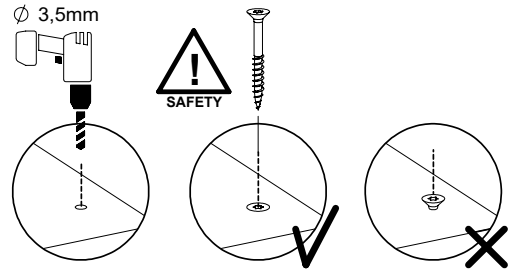
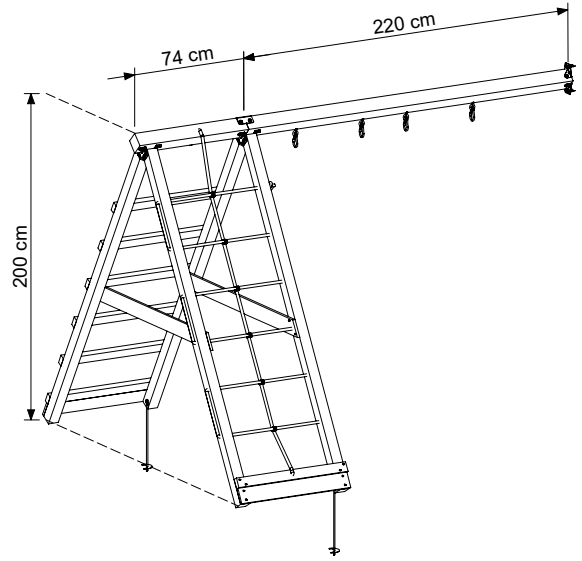
! Scale of print may not be accurate.
 Druckformat kann abweichen.
 Les tailles imprimées peuvent varier.
 Printformaat kan afwijken.

14 CL06a: 2- Climb Module 200 - 3.0

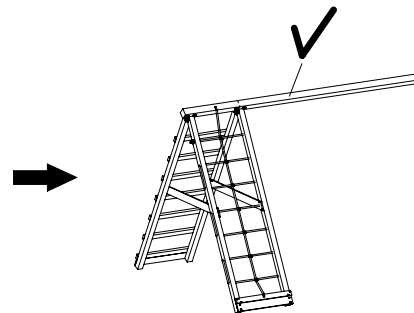
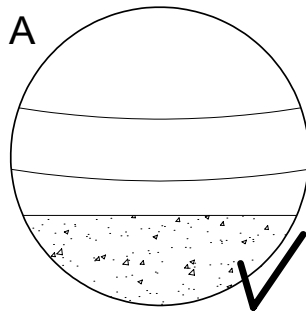
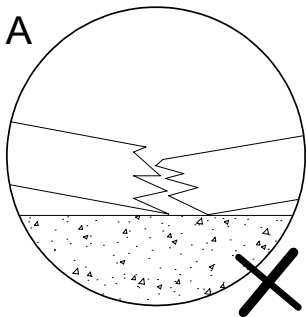
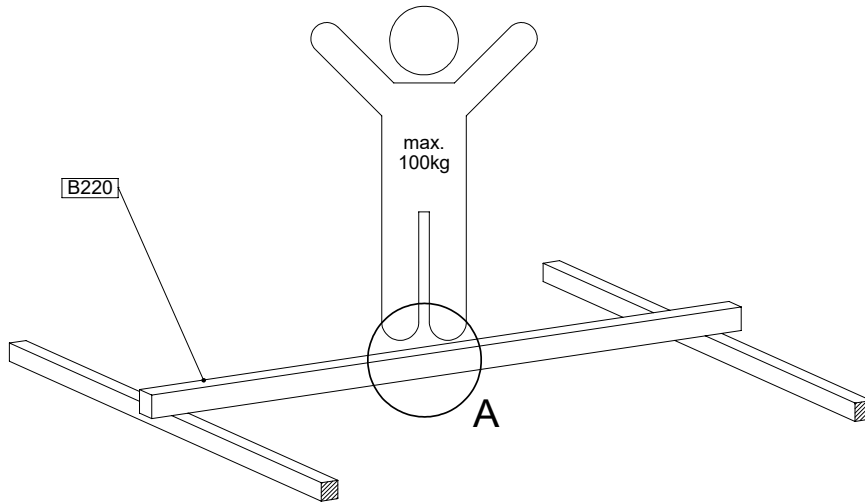
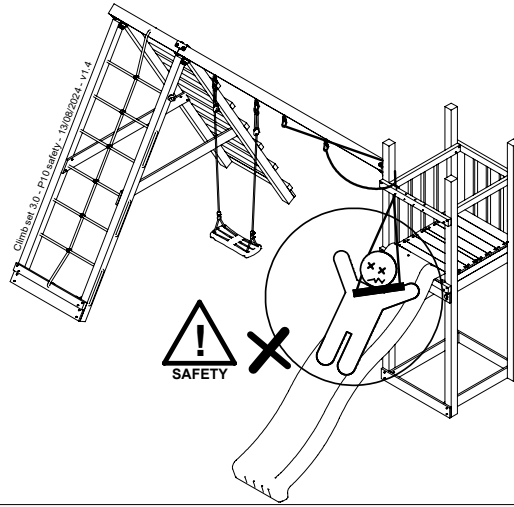
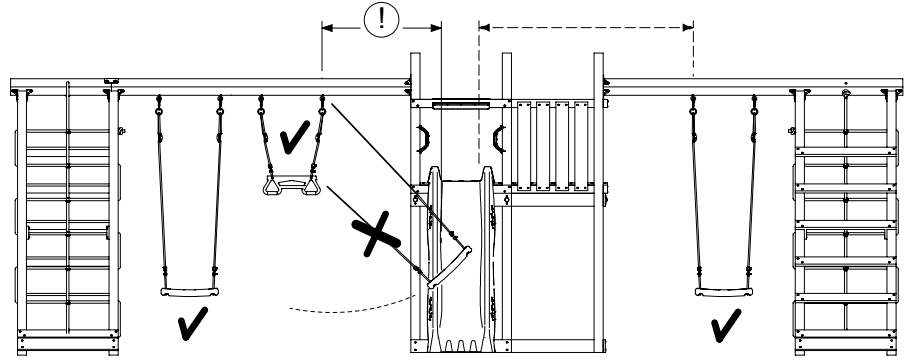
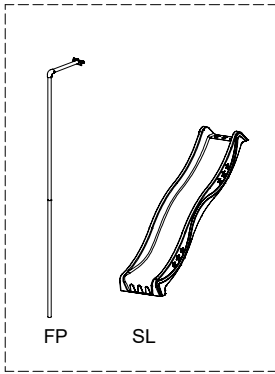
Assembly Kit: 457_107

	PartNo	PartName	QTY.
Hardware + Parts	001_404	Stealth Screw 8x30	4
	001_406	Stealth Screw 8x45	34
	001_417	Stealth Screw 8x80	2
	002_220	Gap Point Screw T25 - 5x45	34
	002_223	Gap Point Screw T25 - 5x80	31
	002_301	Dry Wall Screw PH2 3.9 x 40 mm	6
	023_042	Nylon washer 9x19x1.5	36
	005_096	A-Frame V-Connector	4
	005_097	Swing V-Connector	2
	005_099	Climber Top Connector	1
	007_001	Ground-anchor	2
	020_317	Rope Polyester 16mm Green 3.4m	1
	020_318	Rope Polyester 16mm Green 8.1m	1
	022_455	Rope Cross Connector Egg	6
101_003	Swing hook with Carabiner	4	
Timber	A220	Post ca.70x70 L2200	4
	B74	Post ca.90x90 L740	1
	B220	Post ca.90x90 L2200	1
	C74	Beam 740 mm	7
	D74	Board 740 mm	2
	D141	Board 1410 mm	3

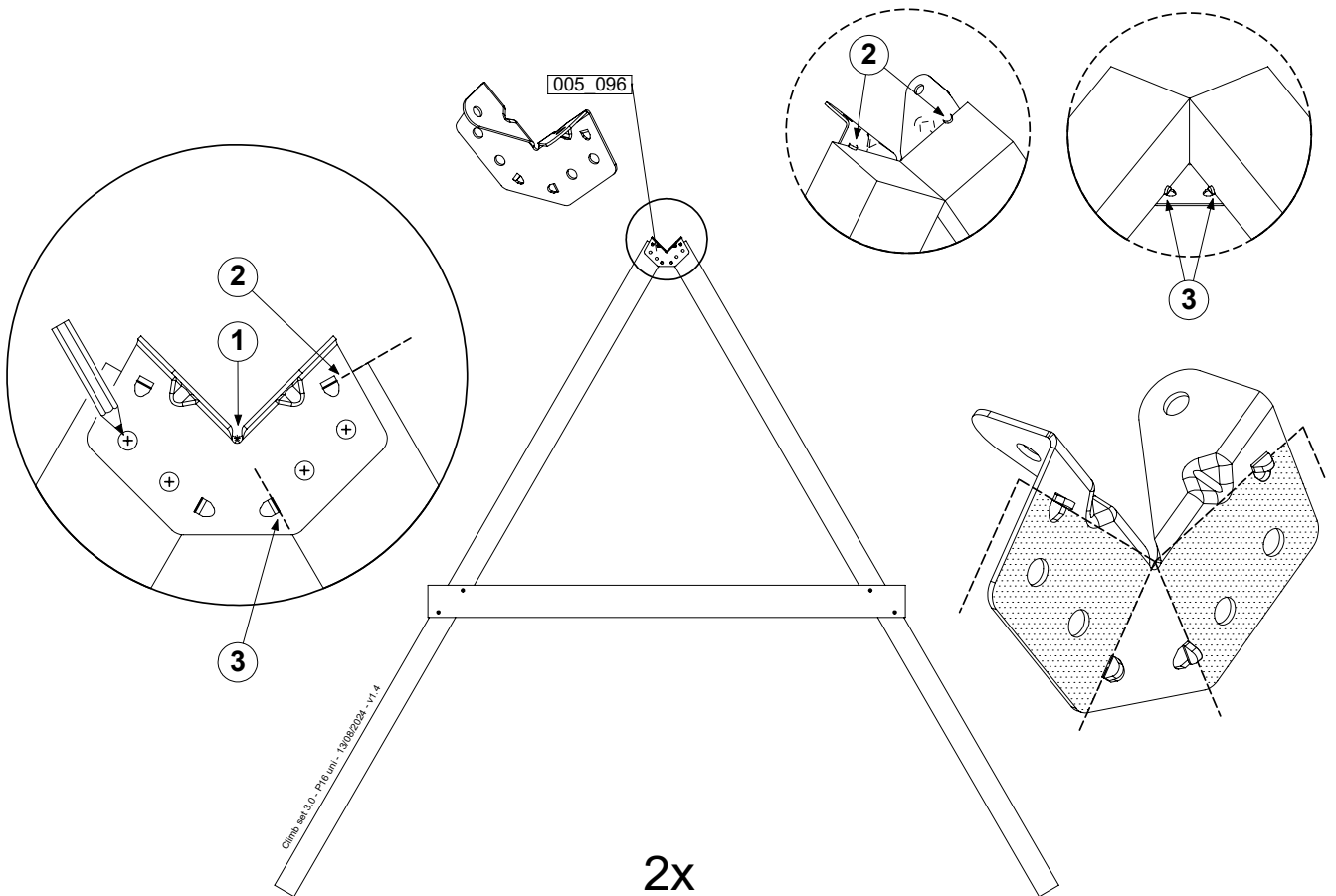
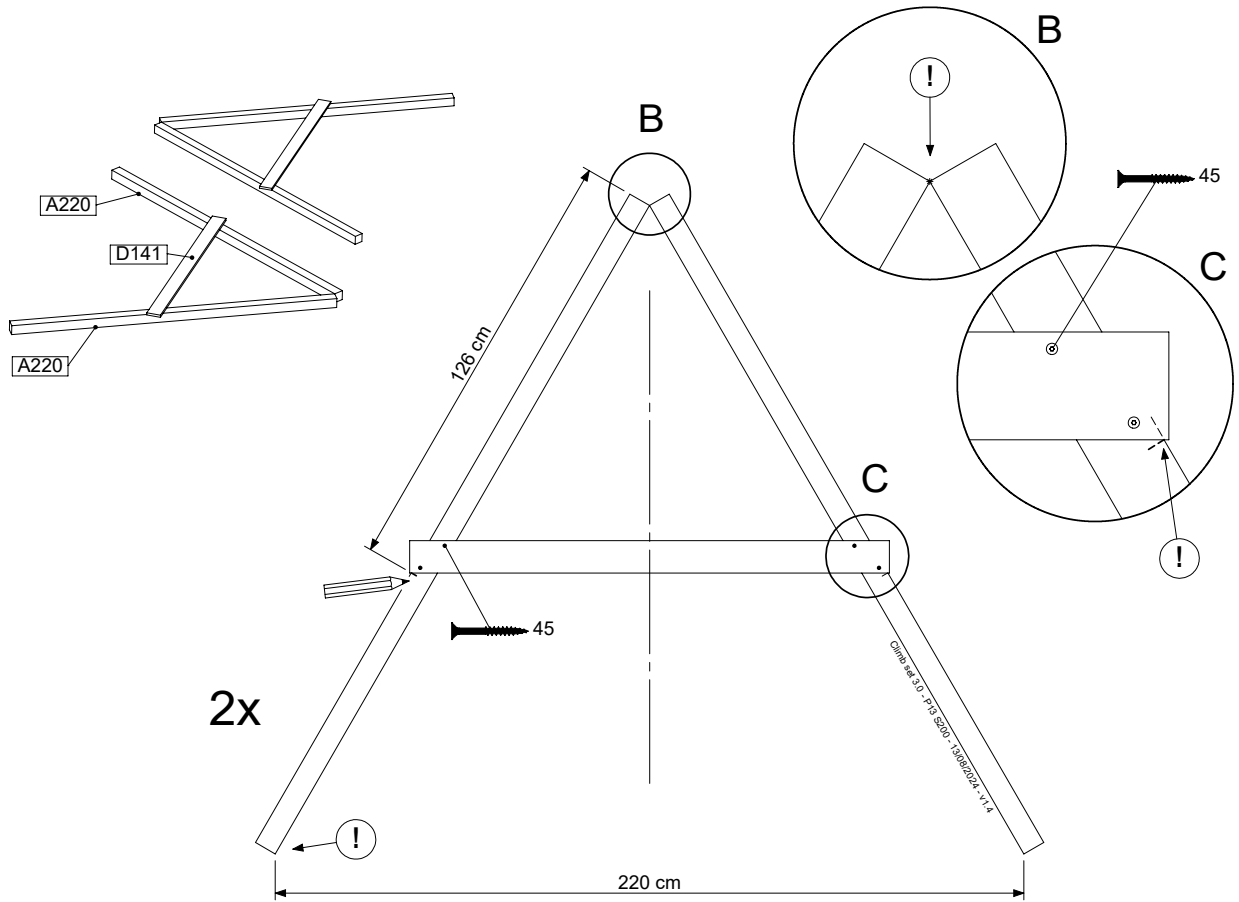
Climb set 3.0 - P04_2C200 - 13/08/2024 - v1.4

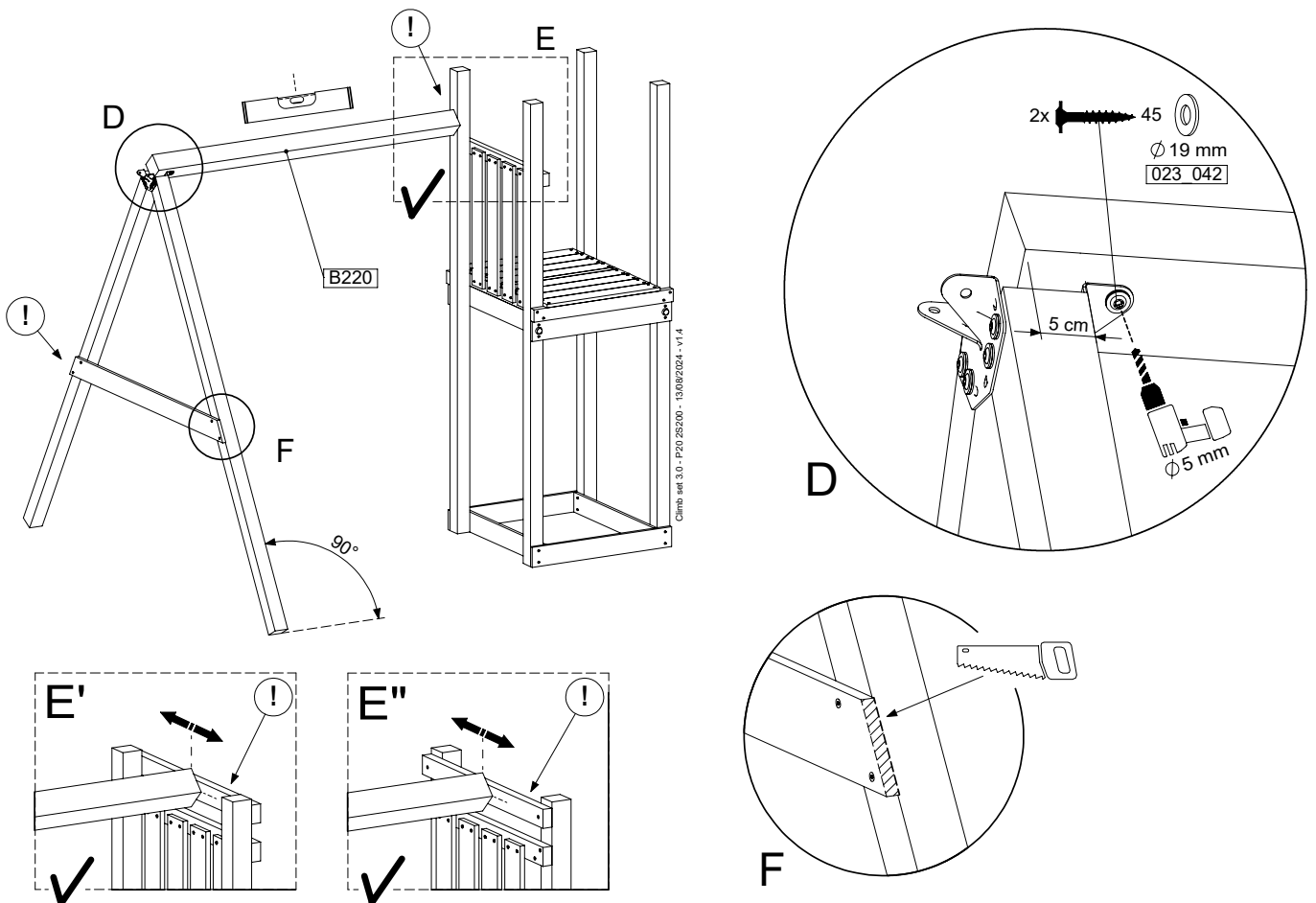
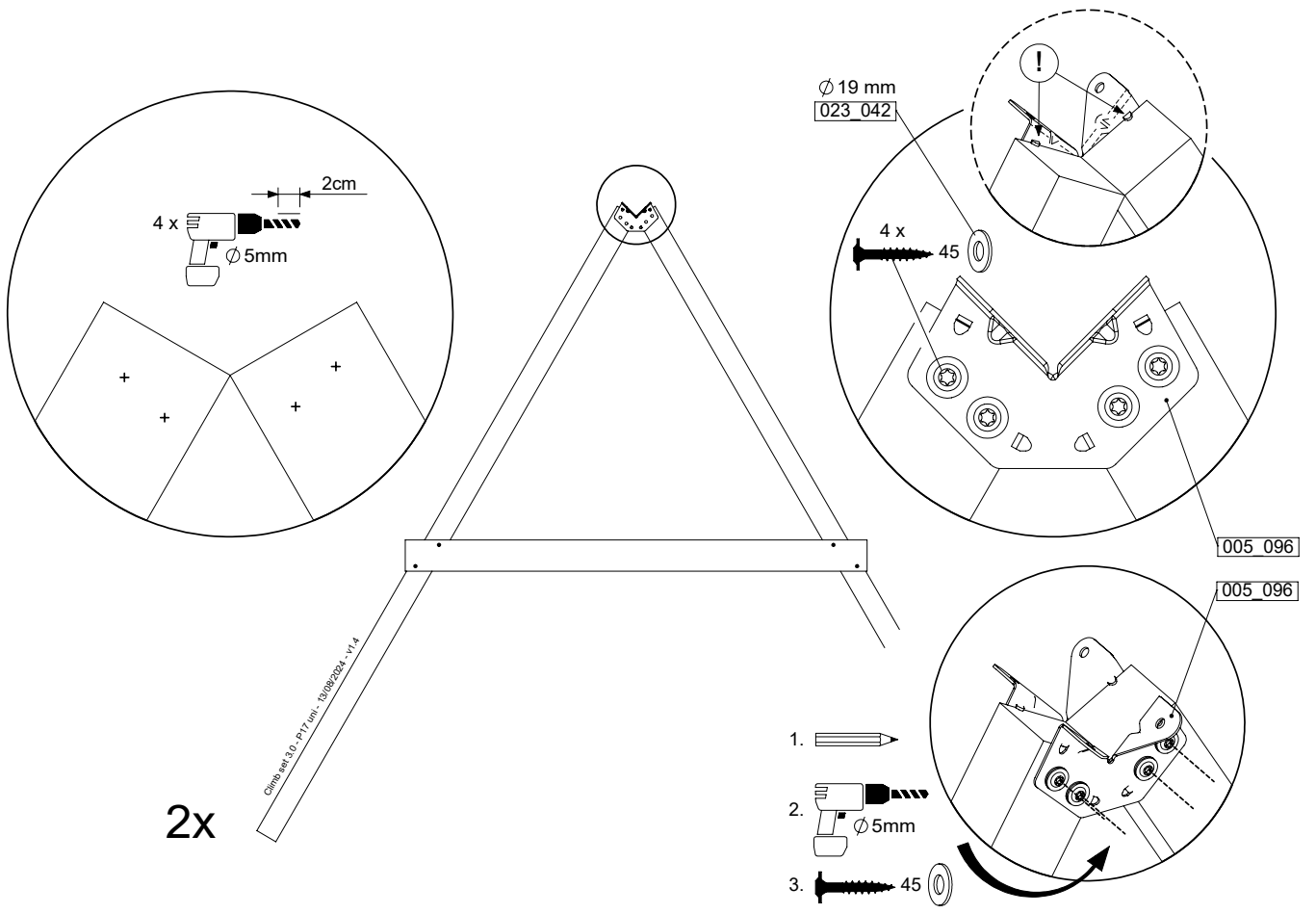


14.1

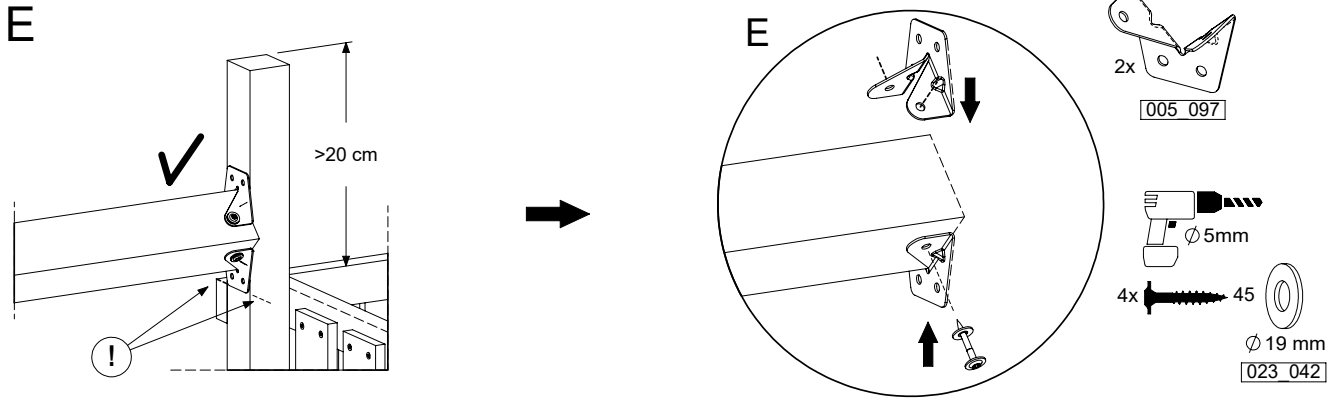


Climb set 3.0 - P11 C200 - 13/08/2024 - v1.4

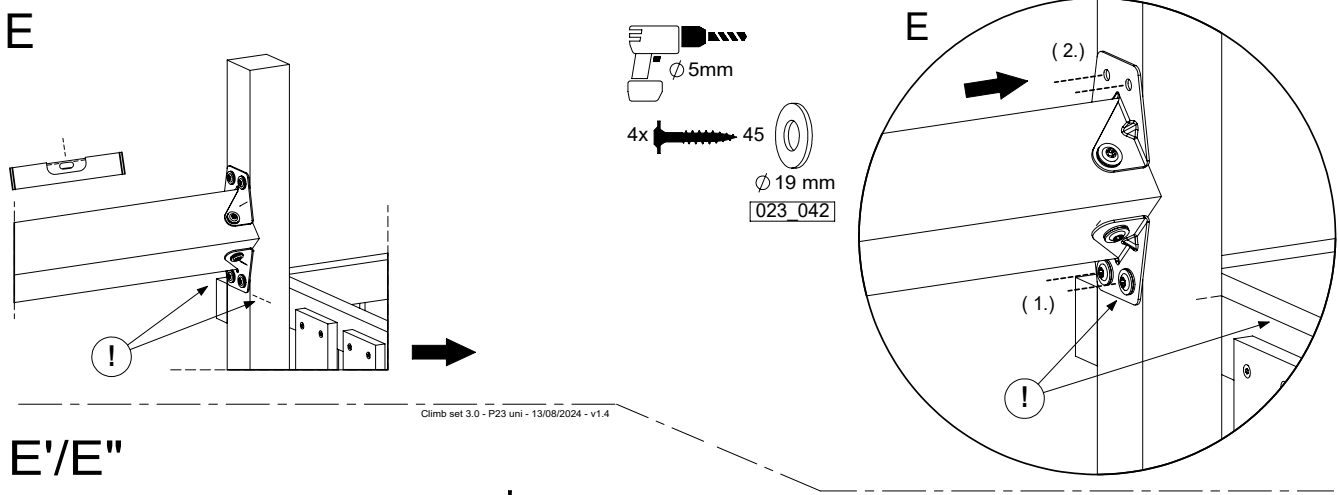
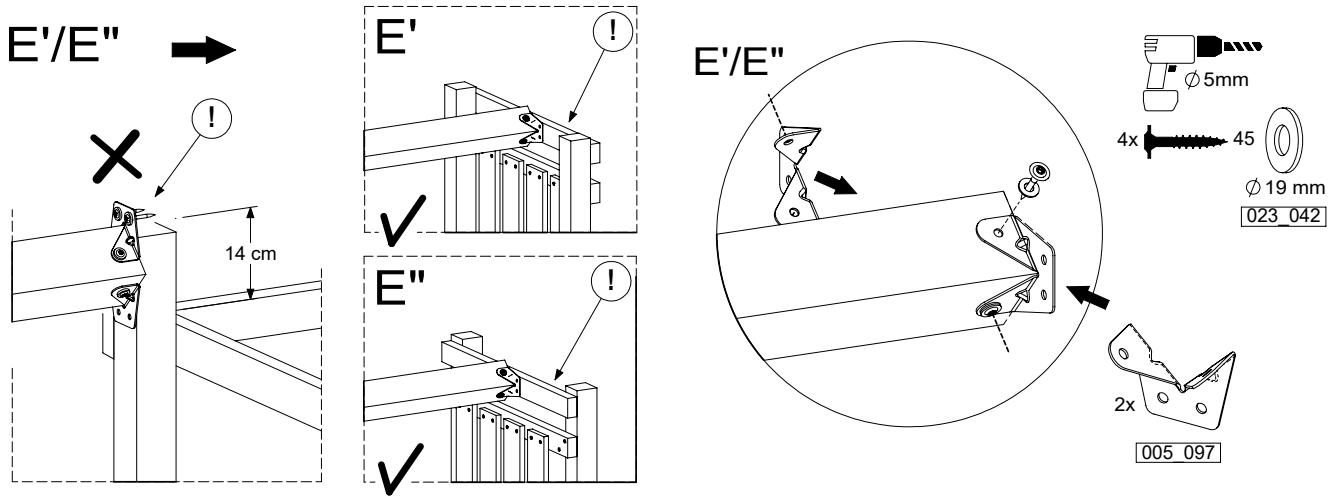




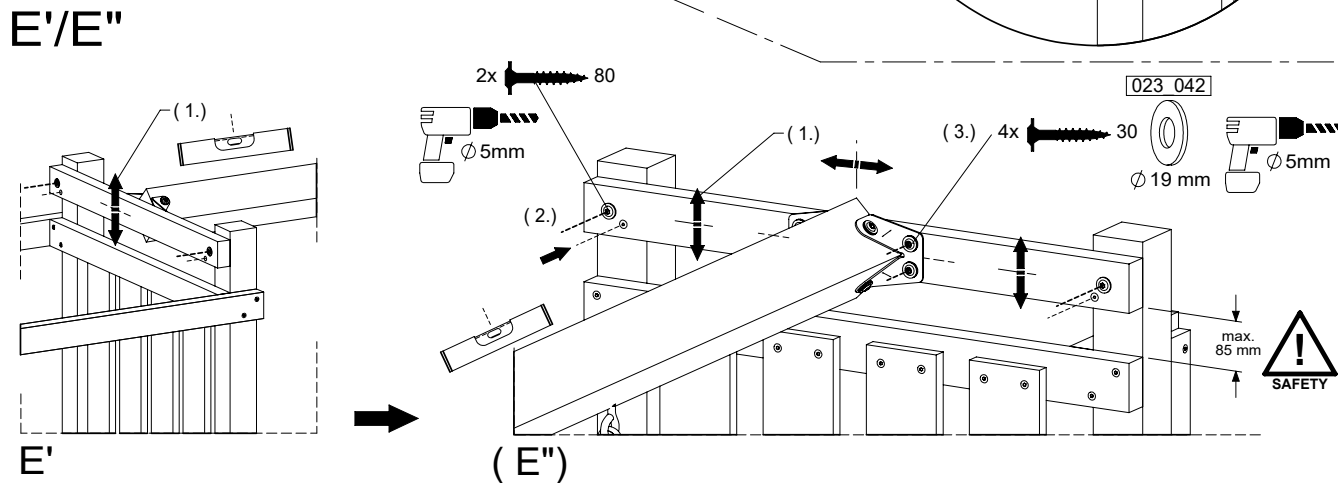
14.4

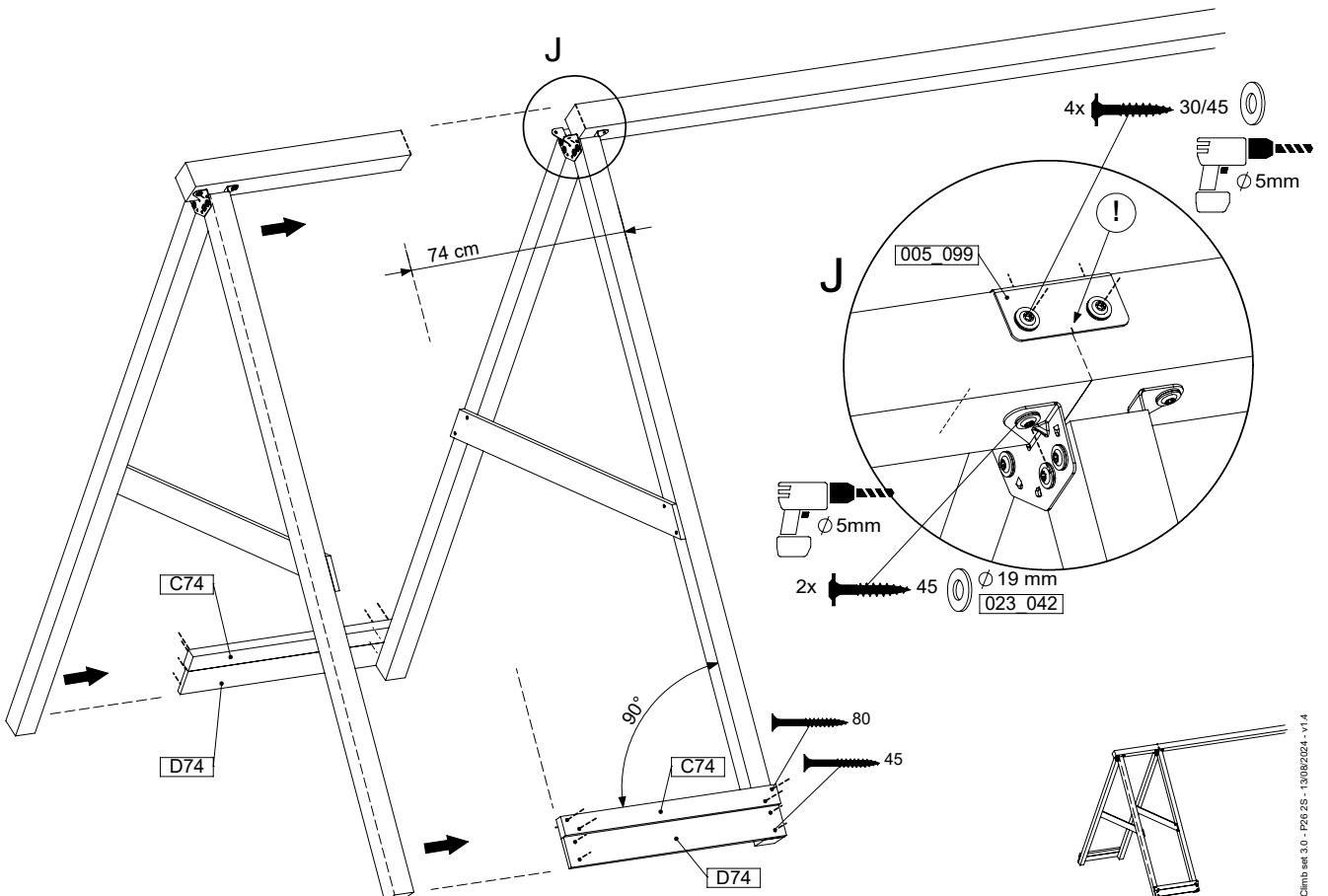
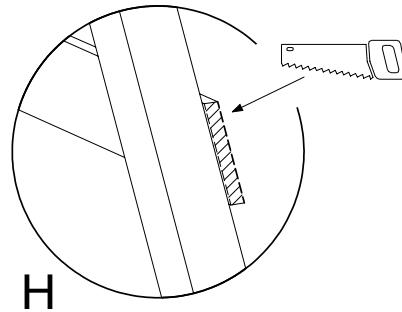
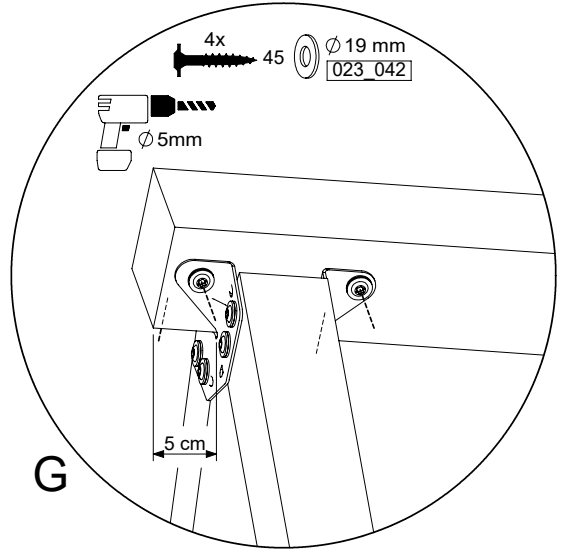
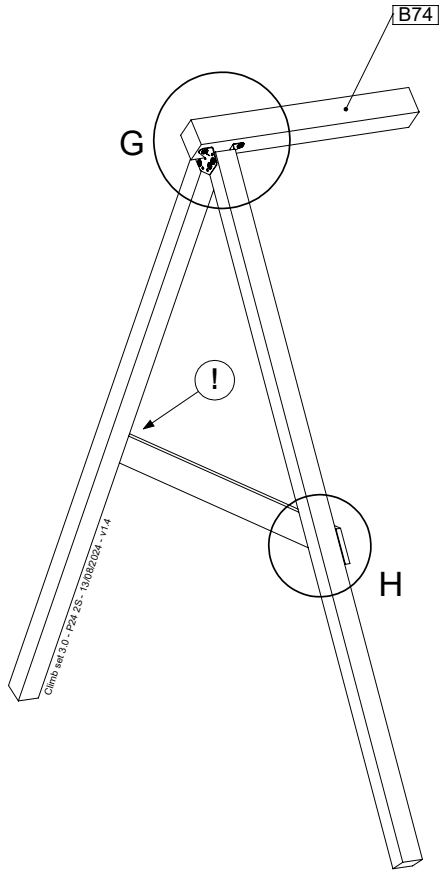


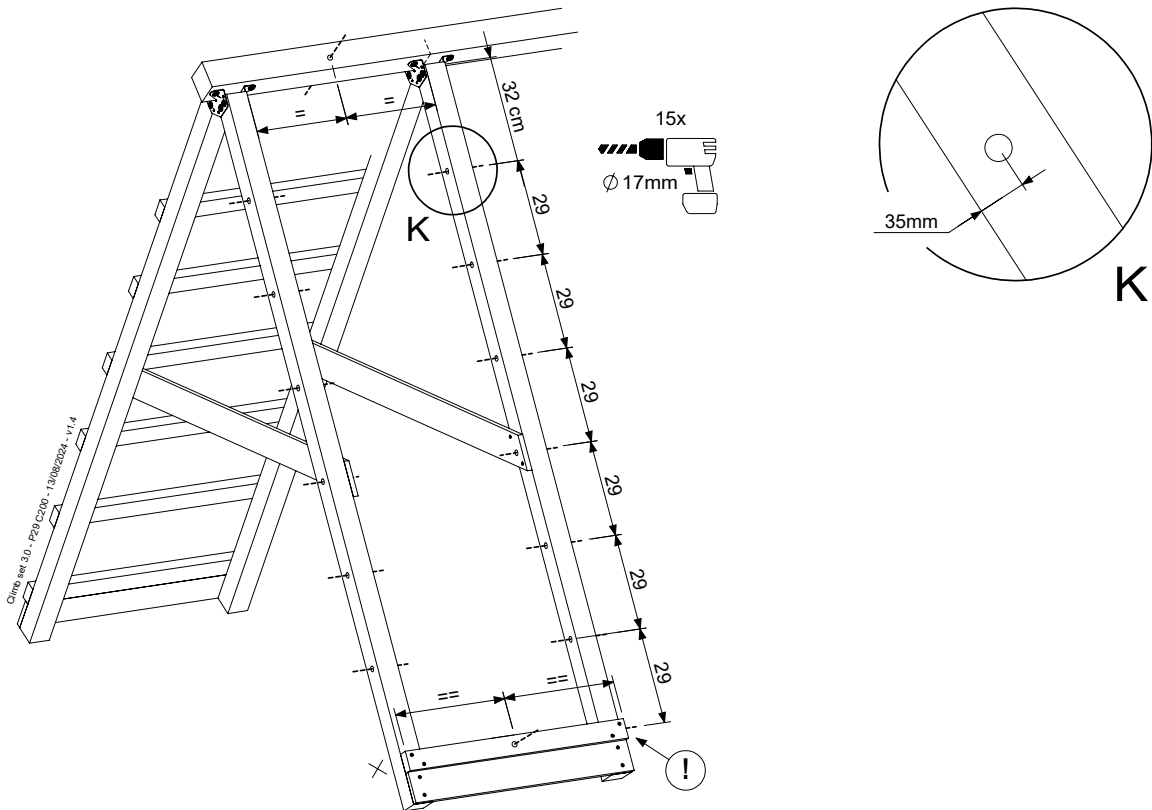
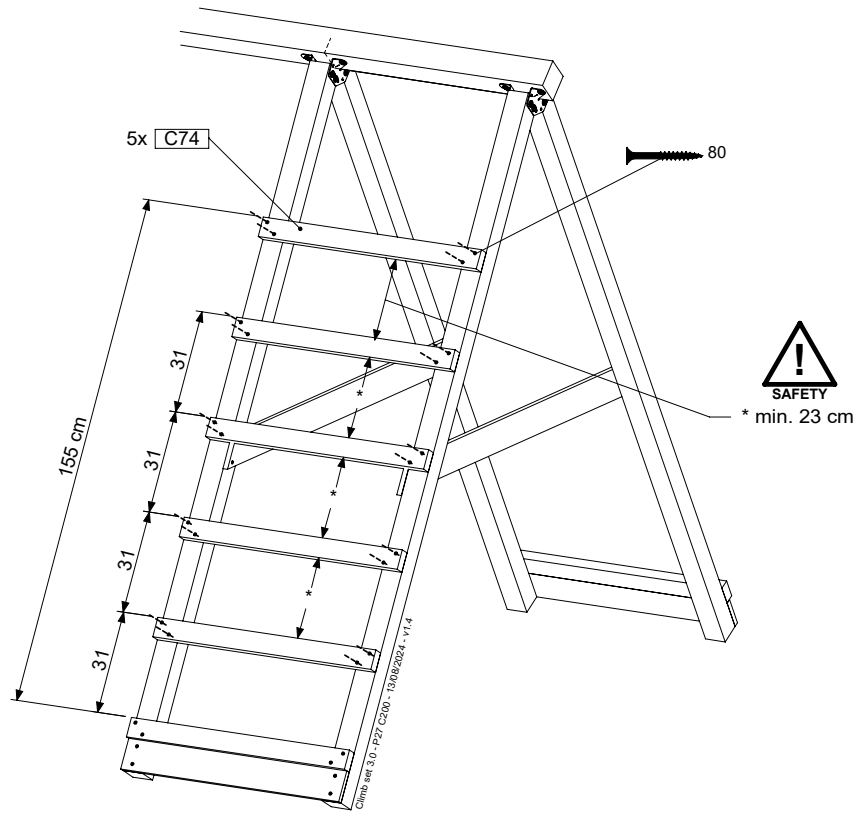
Climb set 3.0 - P22 uni - 13/08/2024 - v1.4

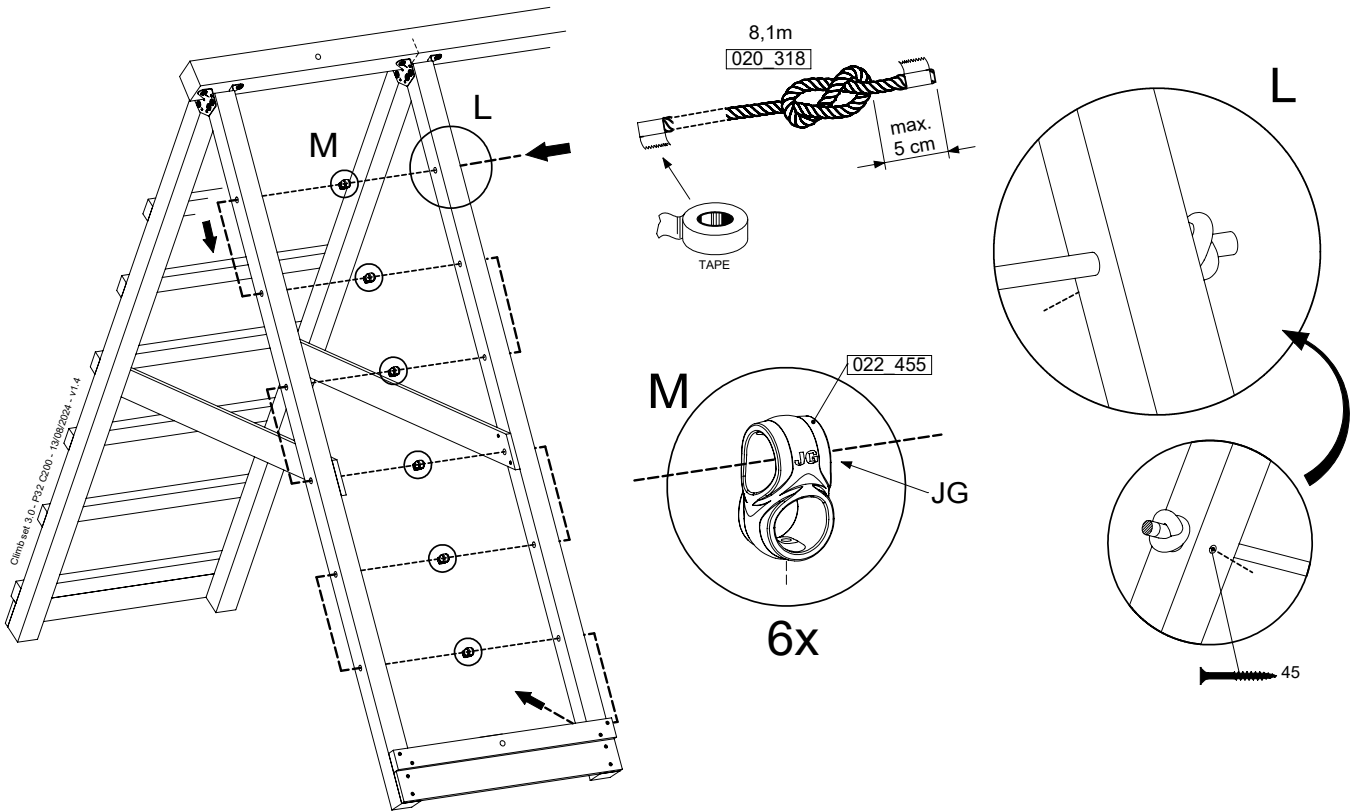
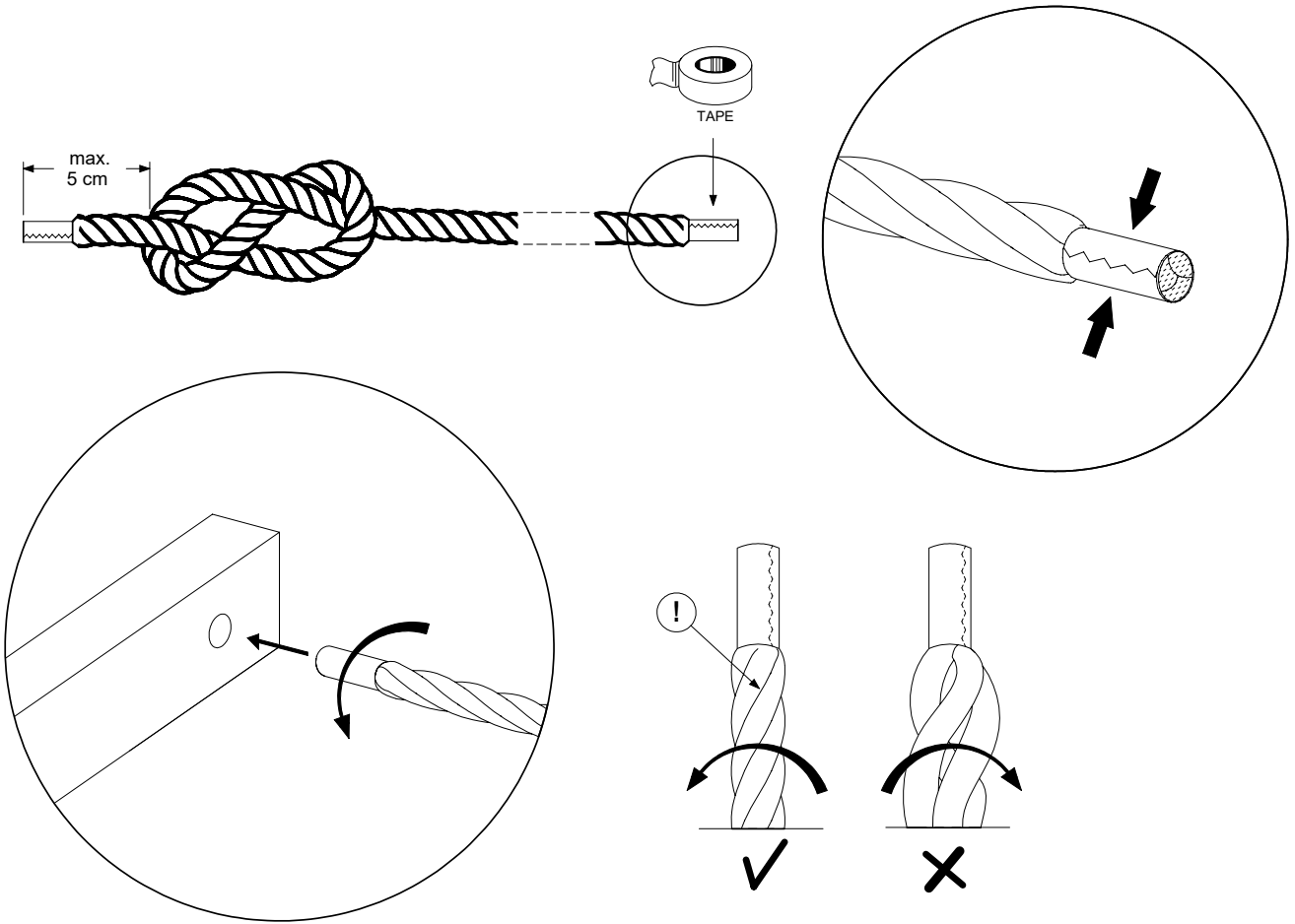


Climb set 3.0 - P23 uni - 13/08/2024 - v1.4

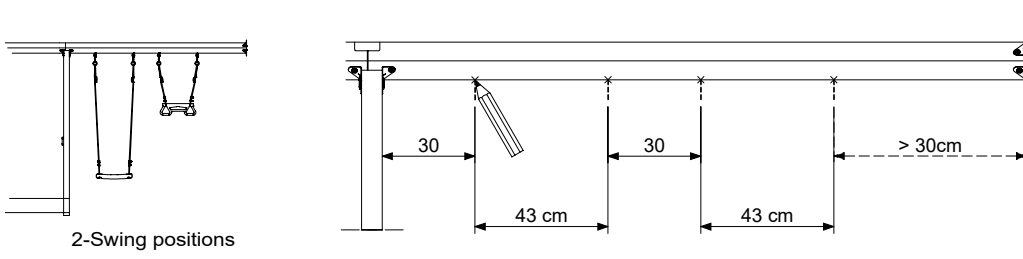




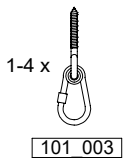
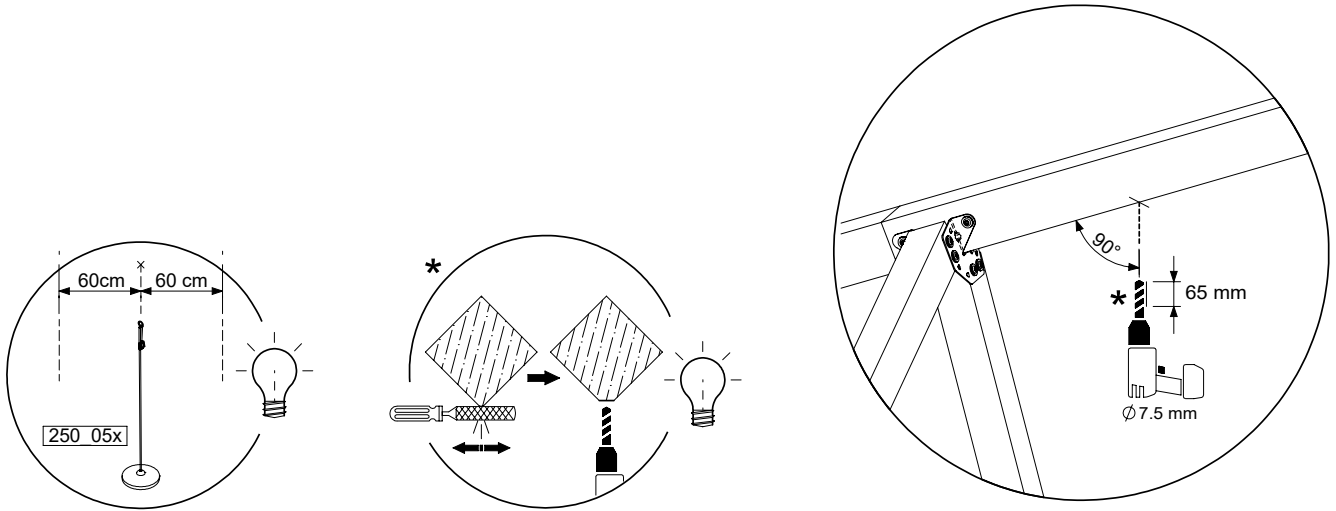




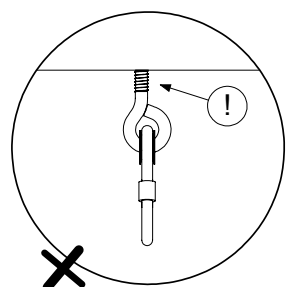
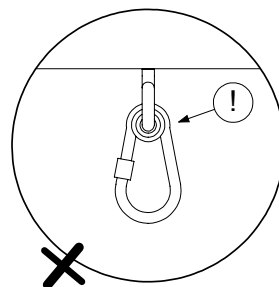
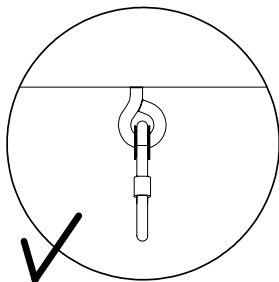
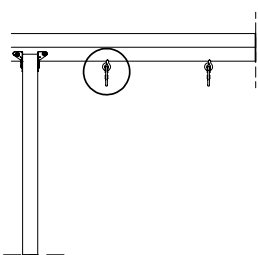
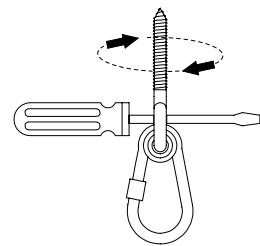
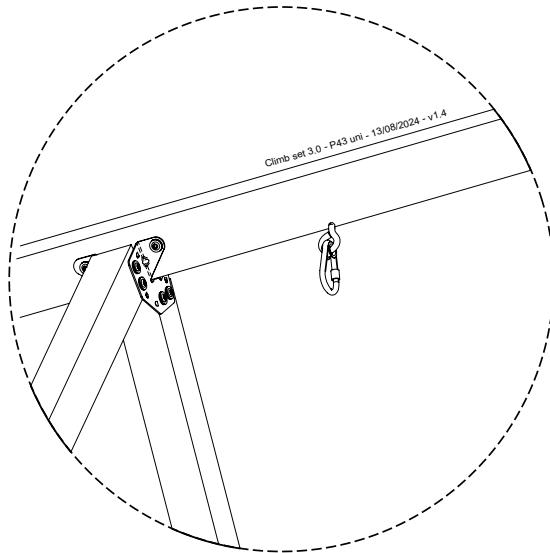
14.9



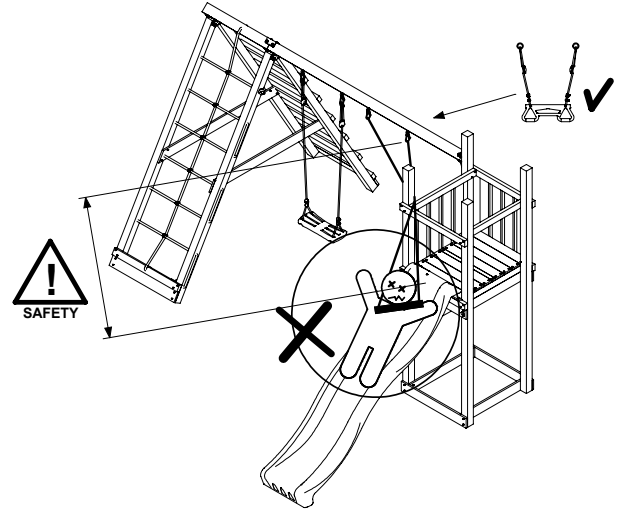
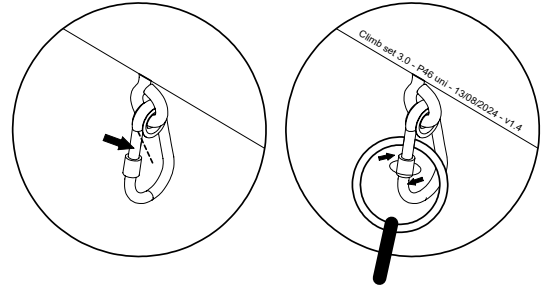
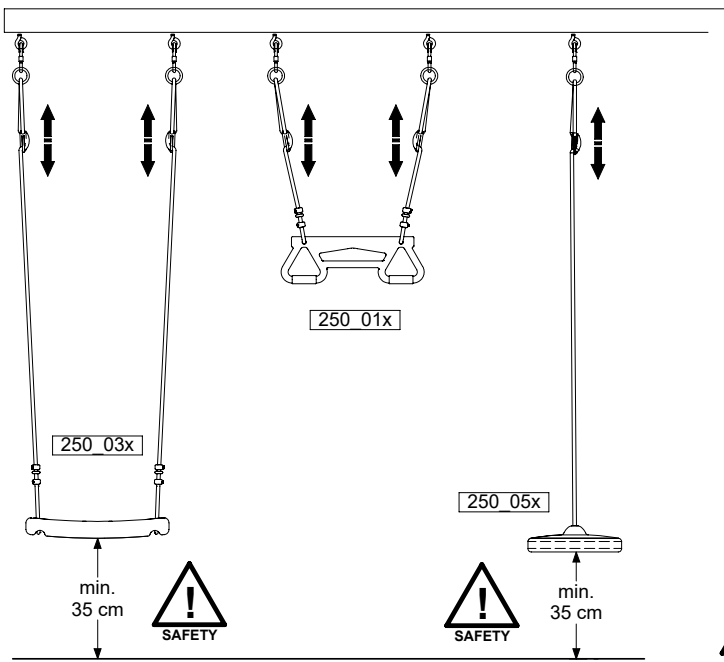
2-Swing positions



1-4 x



14.11

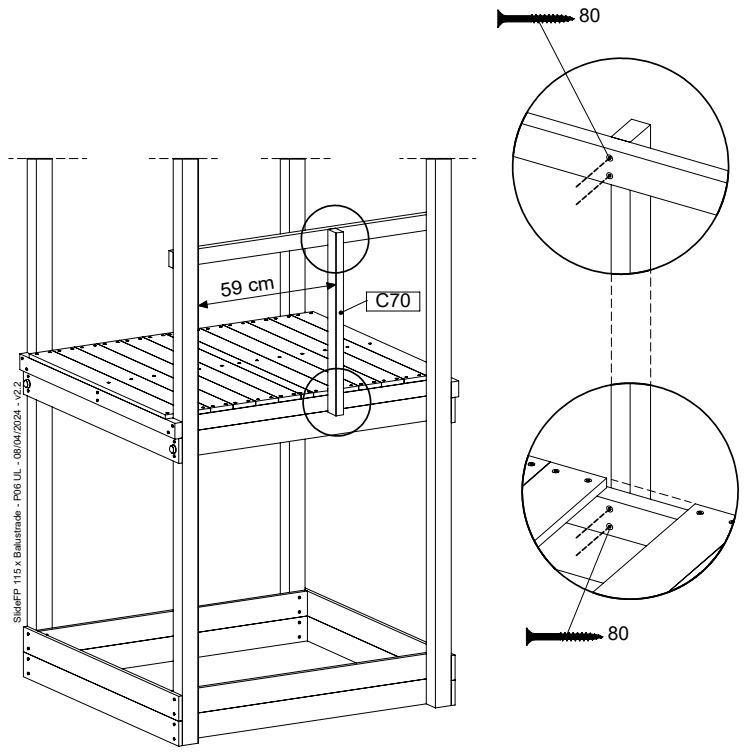
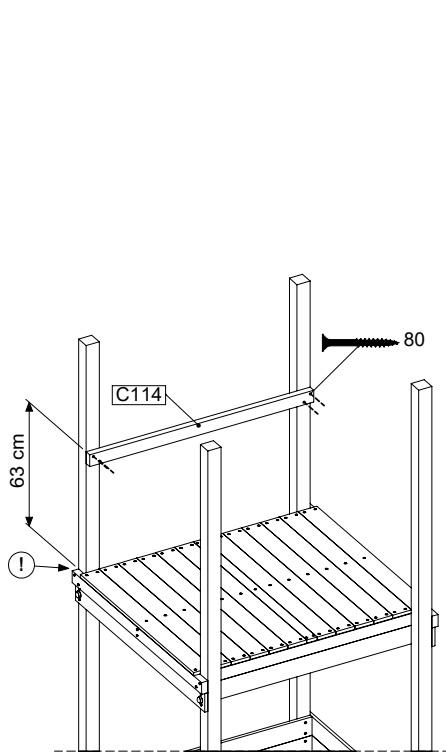
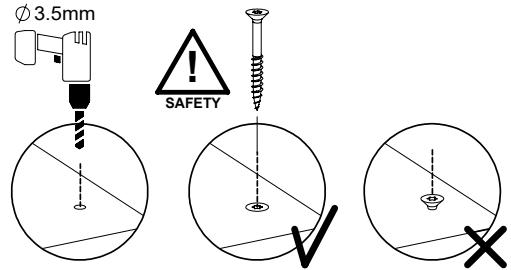
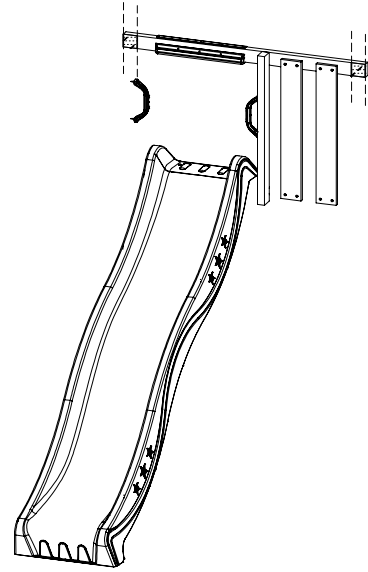


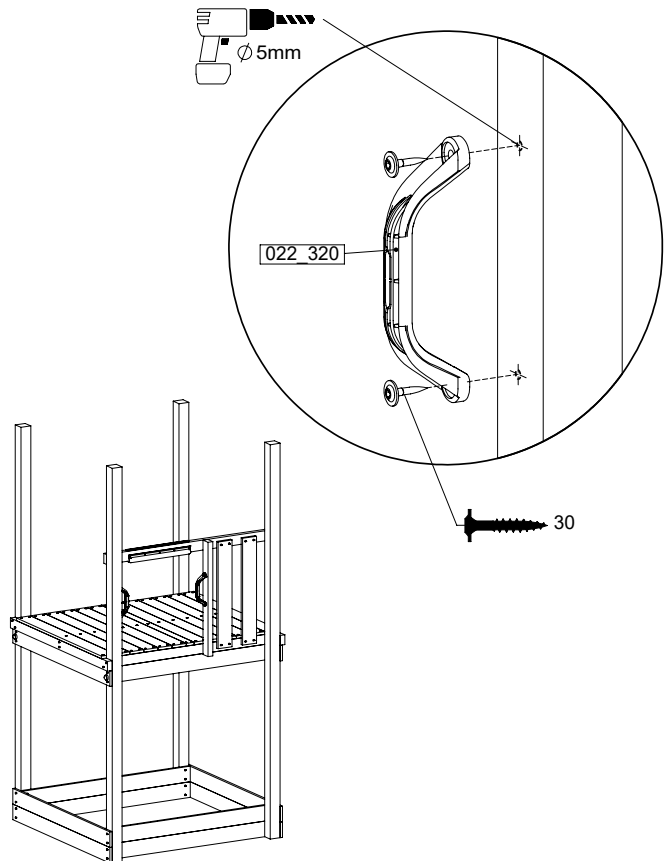
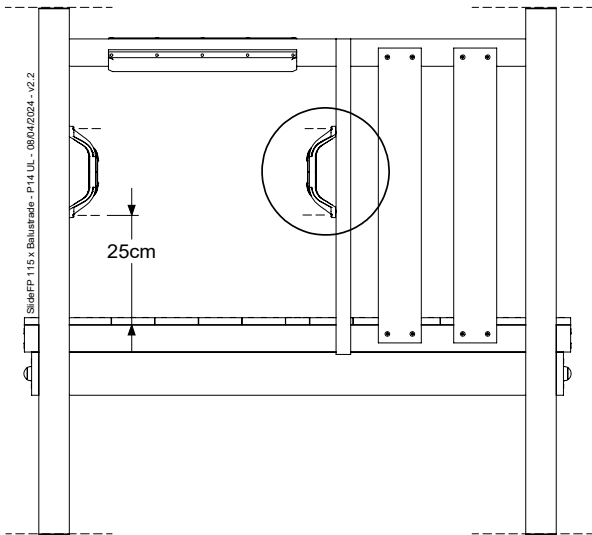
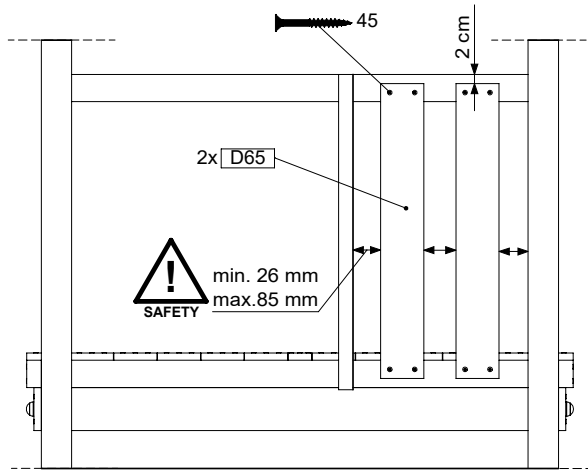
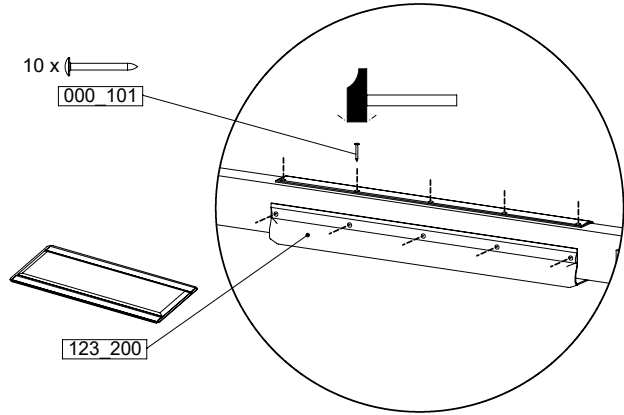
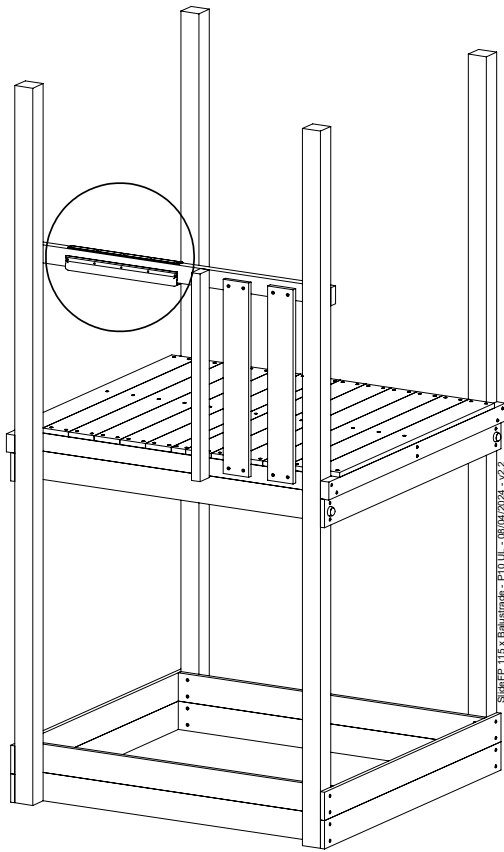
15 SL06a: Slide 115 125 U Left

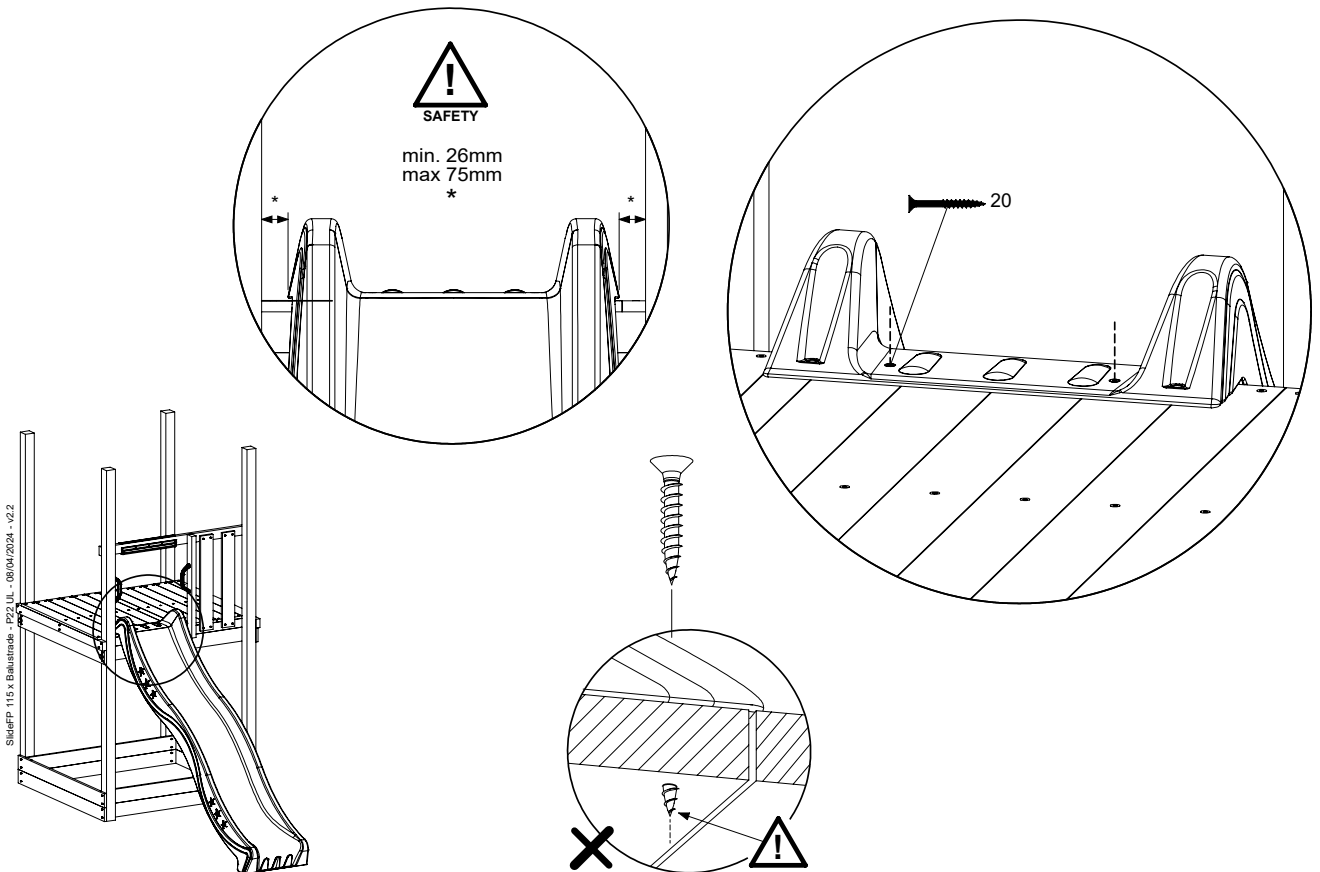
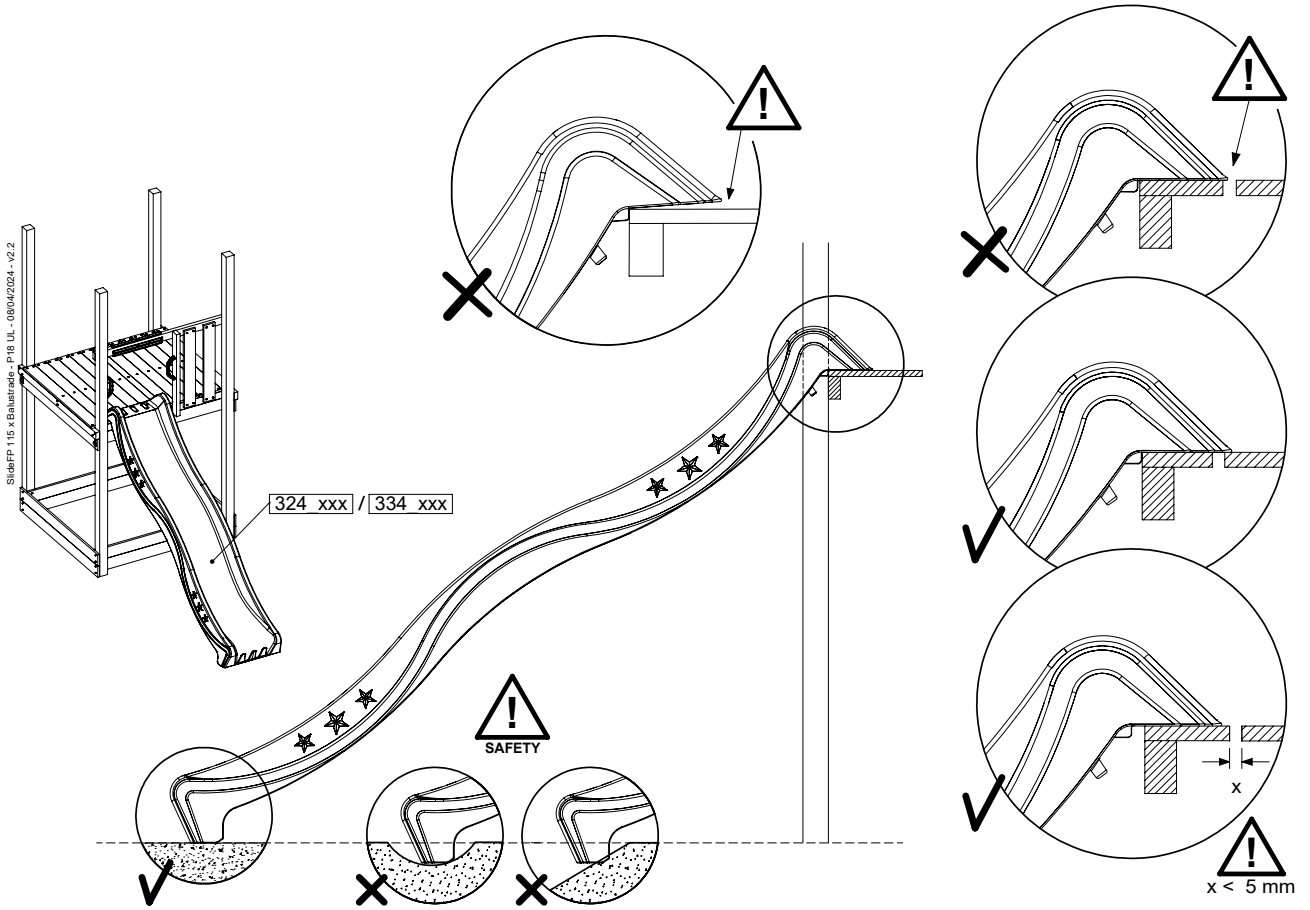
Assembly Packs: 194_107 + 194_101

	PartNo	PartName	QTY.
Hardware + Parts	000_101	Nail Pan Head	10
	002_220	Gap Point Screw T25 - 5x45	8
	002_223	Gap Point Screw T25 - 5x80	8
	002_308	Gap Point Screw T25 - 5x20	2
	120_102	Handgrip set (complete 2x)	1
	123_200	Bumperpad	1
	324_xxx 334_xxx	Wavy Star Slide XL 2200 mm / Wavy Star Slide XXL 2650 mm	1
Timber	C114	Beam 1140 mm	1
	C70	Beam 700 mm	1
	D65	Board 650 mm	2

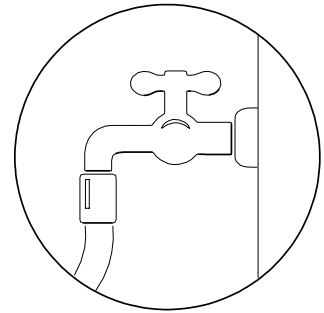
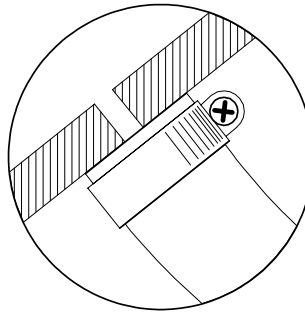
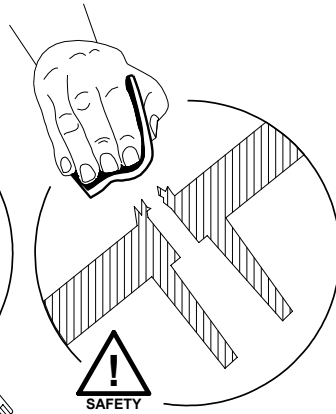
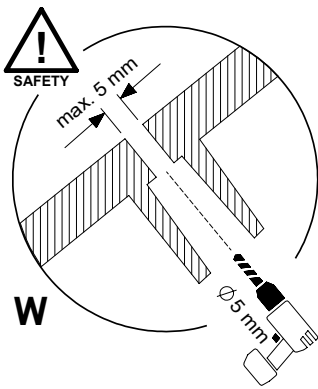
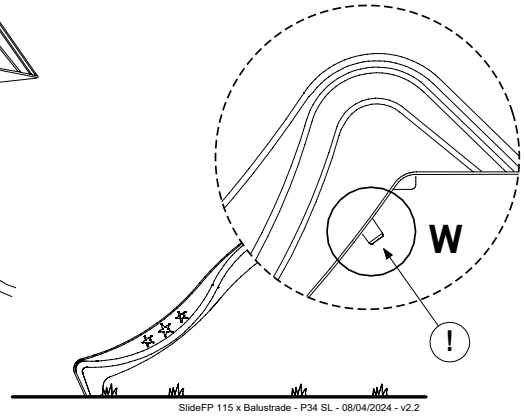
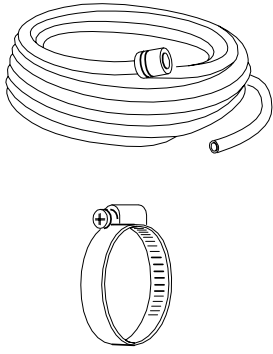
SlideFP 115 x Baumstrade - P02 UL - 08/04/2024 - v0.2







15.3

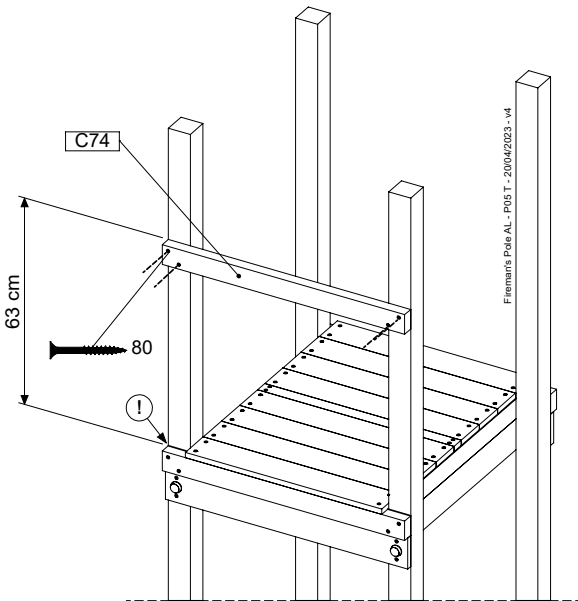
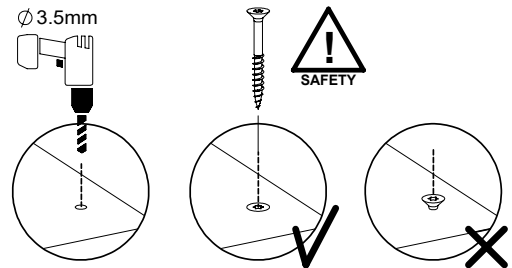
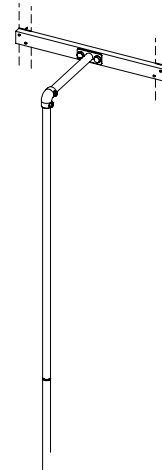


16 FP02a: Fireman's pole 80 T

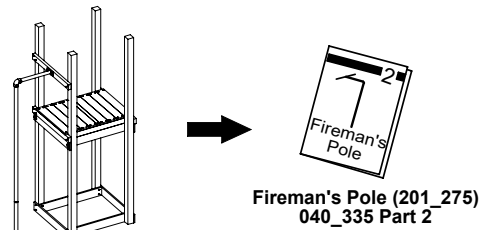
(201_275)

	PartNo	PartName	QTY.
Kit	201_275	Fireman's Pole kit (incl. 4x Screw T25 5x80)	1
Timber	C74	Beam 740 mm	1

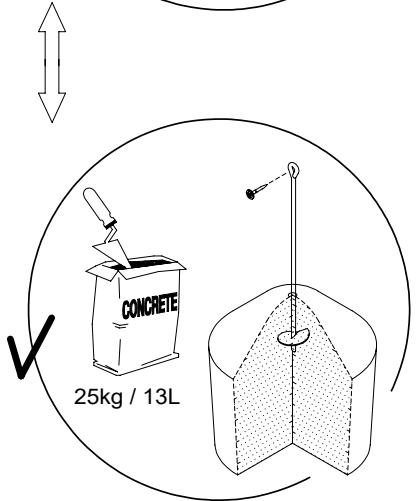
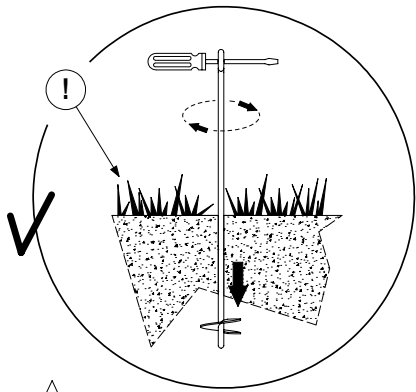
Fireman's Pole AL - P03 T - 20/04/2023 - v4



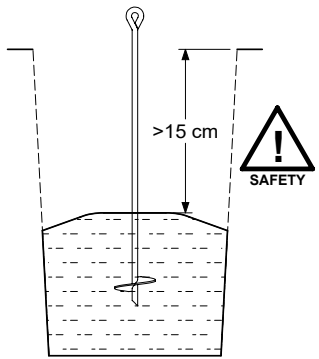
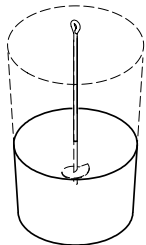
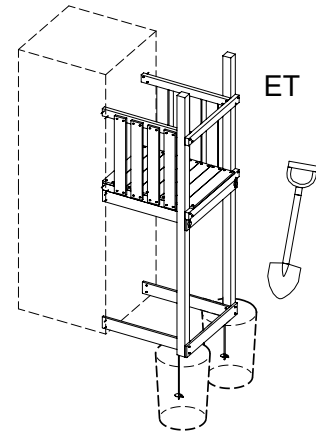
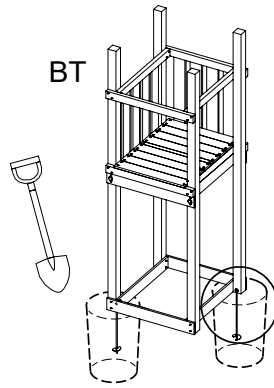
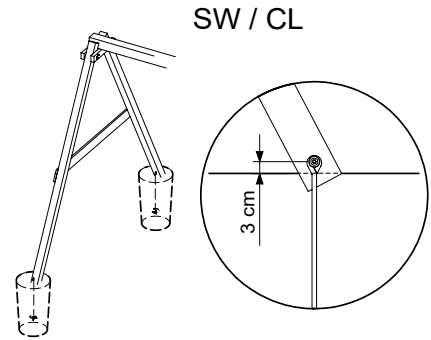
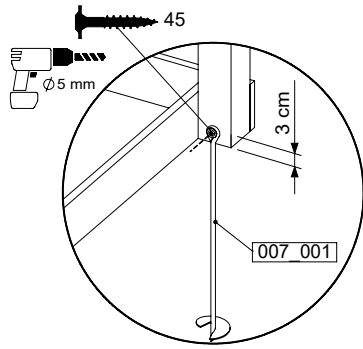
Fireman's Pole AL - P05 T - 20/04/2023 - v4



17 GA: Ground Anchors



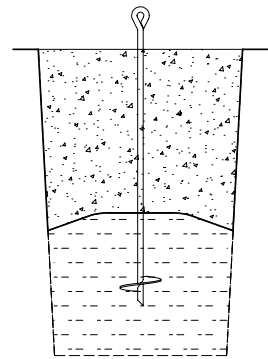
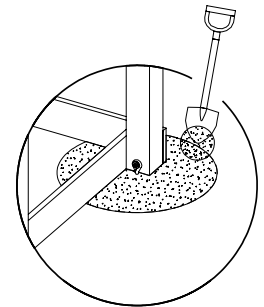
Ground Anchors Unit - PD3 - 14/06/2024 - v1.5



1.



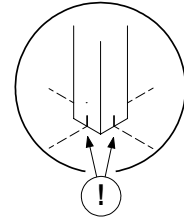
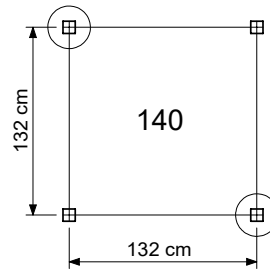
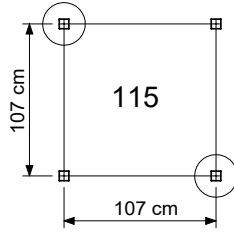
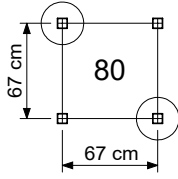
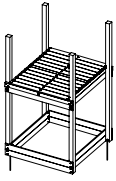
2.



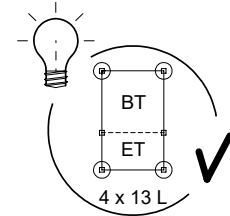
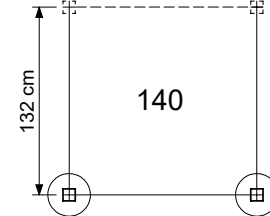
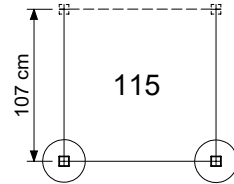
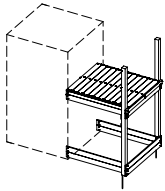
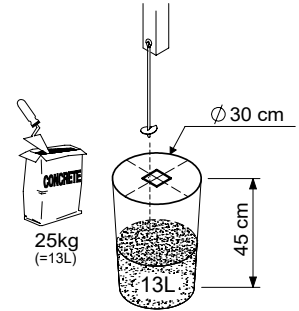
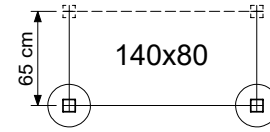
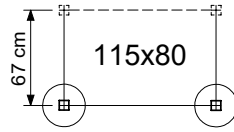
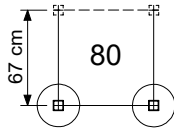
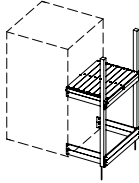
3.

Ground Anchors Unit - PD4 - 14/06/2024 - v1.5

BASE TOWERS

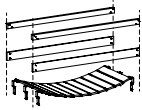


EXTENSION TOWERS

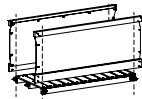


Ground Anchors Uni. - P01 - 14/06/2024 - v1.5

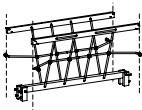
BRIDGES



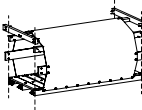
CLATTER



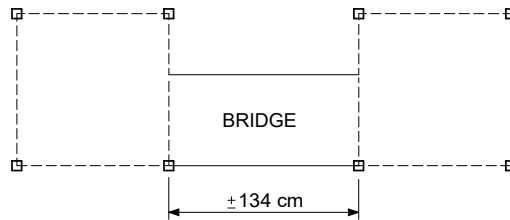
BOARDWALK



NET



TUNNEL

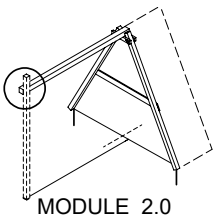


BRIDGE

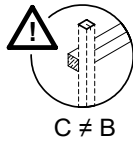
± 134 cm

Ground Anchors Uni. - P02 - 14/06/2024 - v1.5

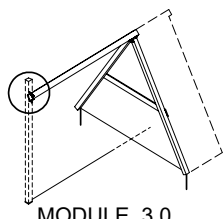
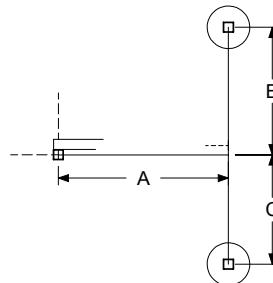
SWING / CLIMB



MODULE 2.0



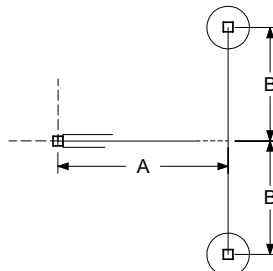
C ≠ B



MODULE 3.0



(C = B)



MODULE 2.0	Module type	A	B	C
	1-Swing 200	150	115	100
1-Swing 220 (Extra)		120	105	
1-Climb 200	142			
2-Climb 200	210	115	100	
2-Swing 200				
1-Climb 220 (Extra)	162			
2-Climb 220 (Extra)	230	120	105	
2-Swing 220 (Extra)				

cm

MODULE 3.0	Module type	A	B
	1-Swing 200 - 3.0	155	110
1-Swing 220 (Extra) - 3.0		115	
1-Climb 200 - 3.0	148		
2-Climb 200 - 3.0	222	110	
2-Swing 200 - 3.0	215		
1-Climb 220 (Extra) - 3.0	170		
2-Climb 220 (Extra) - 3.0	242	115	
2-Swing 220 (Extra) - 3.0	235		

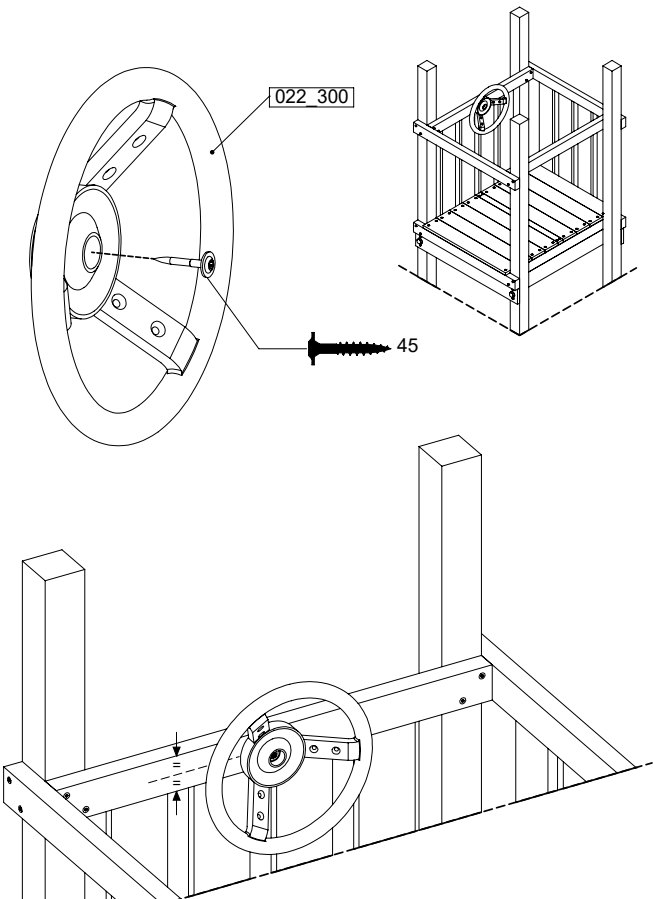
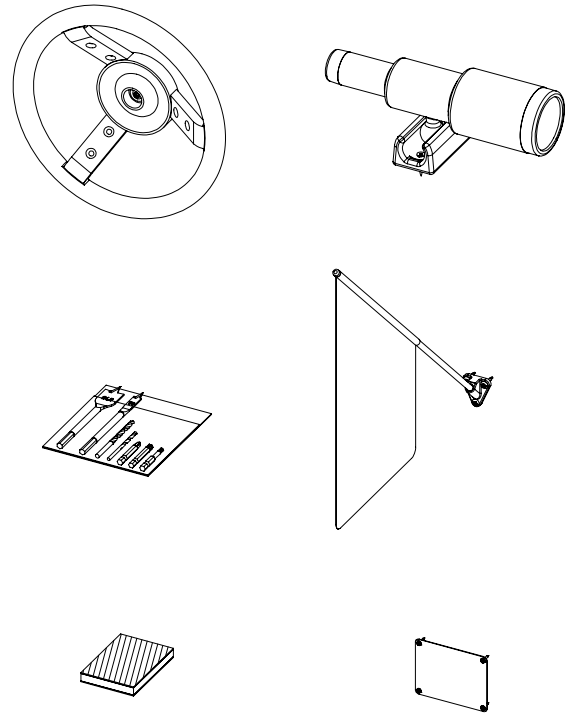
cm

18 AC01a: Accessories

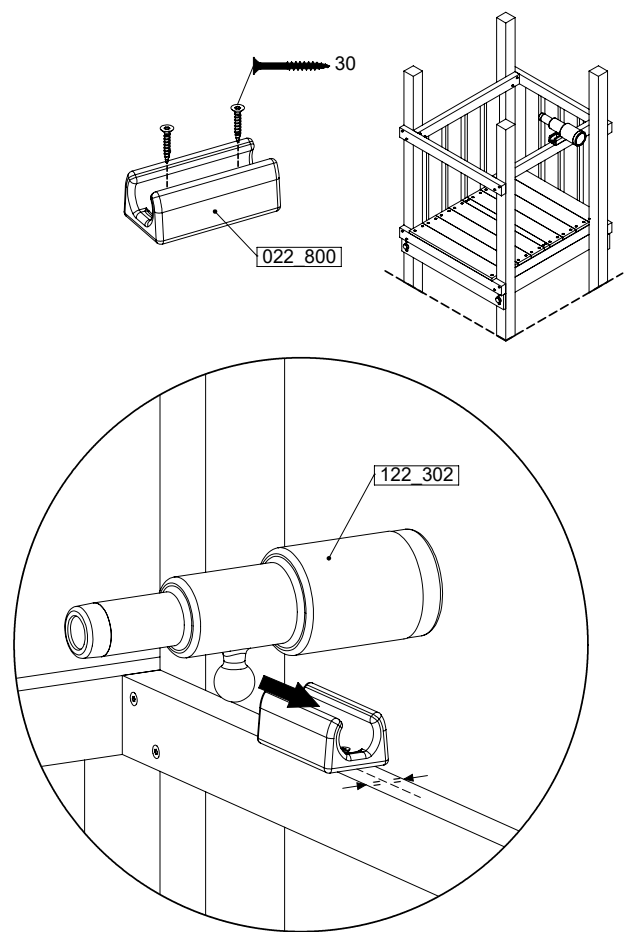
(194_119)

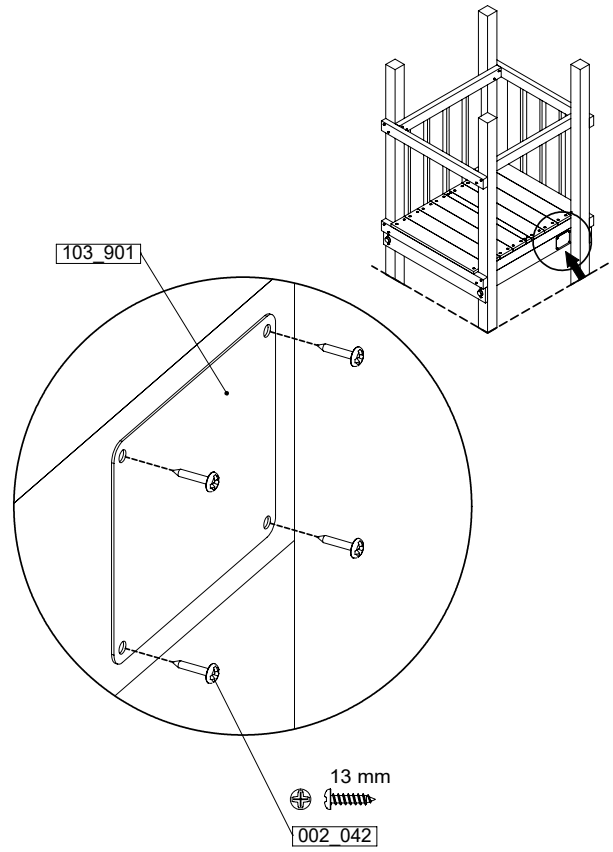
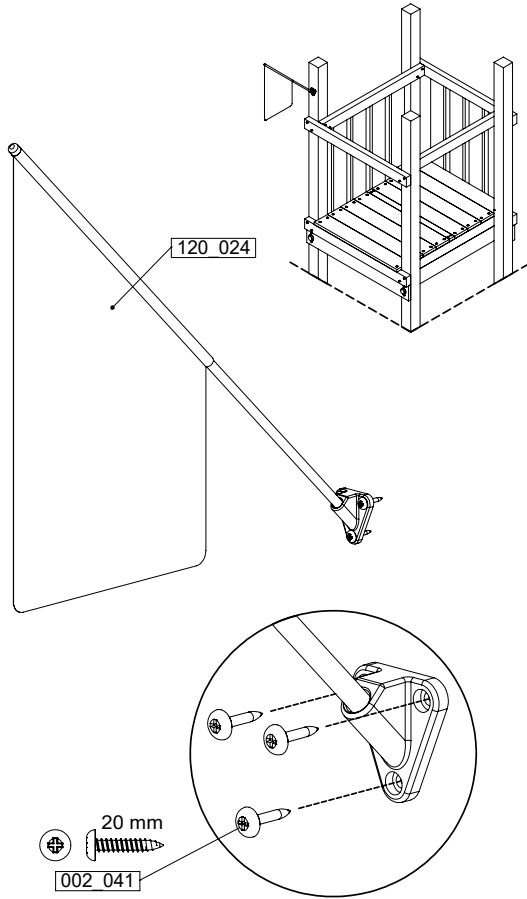
	PartNo	PartName	QTY.
Hardware Pack 100_617	001_406	Stealth Screw 8x45	1
	002_041	Dome head screw 4.5 x 20 mm	3
	002_042	Dome head screw 3.5 x 13mm	4
	002_219	Gap Point Screw T25 - 5x30	2
Other	022_300	Steering Wheel	1
	022_800	Rail P/T 105	1
	022_910	Sandpad	1
	103_901	Logo ID Plate	1
	104_107	Tool Set Climbing Units	1
	120_024	Tower Flag	1
	122_302	Telescope	1

Accessory set - P02 - 24/01/2024 - v5

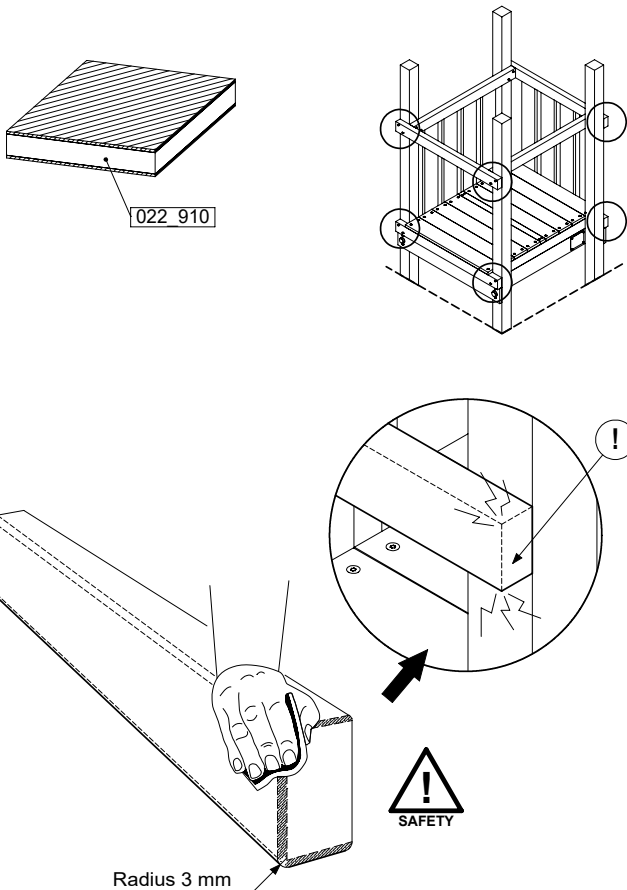


Accessory set - P03 - 24/01/2024 - v5

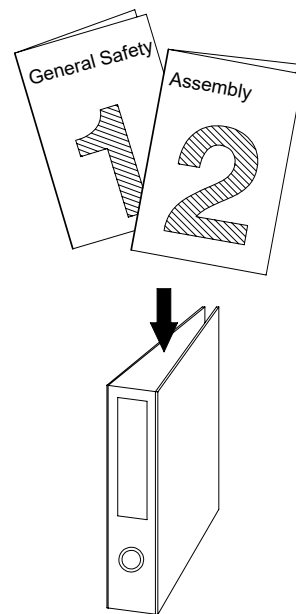




Accessory set - P04 - 24/01/2024 - 5/5



Accessory set - P05 - 24/01/2024 - 5/5





EU Declaration of Conformity
UK Conformity Assessed
EU-Konformitätserklärung
Déclaration EU de conformité



(in accordance with 768/2008/EC)

Product range: Activity toys for domestic use
Produktfamilie: Aktivitätsspielzeug für den häuslichen Gebrauch
Gamme de produits: Jouets d'activité à usage familial

DoC reference: 20241111_0500

Climbing frames

a. Assemblies for complete climbing frames - Bausätze für komplette Klettergerüste - Assemblages pour structures d'escalade complètes

Playtowers	801_005, 801_009, 801_010, 801_013, 801_025, 801_040, 801_060, 801_070, 801_090, 801_095, 801_100, 801_103, 801_105, 801_110, 801_120, 801_200, 802_202, 802_204, 802_206, 802_208, 803_202, 803_204, 803_206, 803_208, 803_210, 809_802, 809_804
Swings	801_300, 801_601, 801_602
Modules	850_176, 850_177, 850_231, 850_232, 857_101, 857_102, 857_105, 857_106, 857_151, 857_152, 857_157, 857_158, 850_240

b. Assemblies for climbing frames elements - Bausätze für Klettergerüst-Elemente - Assemblages pour éléments de structures d'escalade

Base towers (BT)	BT01a, BT02a, BT03a, BT11a, BT14a, BT15a, BT20a
Extension towers (ET)	ET01a, ET02a, ET05a, ET06a, ET07a, ET08a, ET09a, ET10a, ET11a, ET12a, ET13a, ET14a, ET15a, ET16a, ET17a, ET18a, ET19a, ET20a, ET22a, ET23a, ET27a, ET28a, ET35a, ET29a, ET39a, ET40a
Veranda (VD)	VD01a, VD02a, VD03a, VD04a, VD05a
Bridges (CB, NB, BB, TB)	CB01a, CB01b, NB01a, BB01a, BB02a, TB01a, TB02a, TB03a, TB04a
Roofs (RF)	RF01a, RF21a, RF02a, RF03a, RF04a, RF05a, RF06a, RF20a, RF02b, RF03b, RF28a, RF07a, RF08a, RF22a, RF09a, RF23a, RF11a, RF12a, RF16a, RF07b, RF12b, RF08b, RF22b, RF09b, RF23b, RF11b, RF29a, RF14a, RF24a, RF15a, RF25a, RF18a, RF17a, RF18b, RF14b, RF24b, RF15b, RF25b
Balustrade (BL, BF)	BL01a, BL02a, BL11a, BL12a, BL21a, BF25a, BF26a, BF27a, BF28a, BL03a, BL04a, BL13a, BL14a, BF01a, BF02a, BF03a, BF04a, BF05a, BF06a, BF07a, BF08a, BF01b, BF02b, BF03b, BF04b, BF05b, BF06b, BF07b, BF08b, BL05a, BL06a, BL07a, BL08a, BL09a, BL10a, BL15a, BL16a, BF21a, BF22a, BF23a, BF24a, BF21b, BF22b, BF23b, BF24b
Playhouse (PH)	PH03a, PH04a, PH05a, PH06a, PH10a, PH11a, PH40a, PH41a, PH12a, PH13a, PH14a, PH15a, PH42a, PH43a, PH44a, PH45a, PH16a, PH17a, PH18a, PH19a, PH30a, PH31a, PH16b, PH17b, PH18b, PH19b, PH46a, PH47a, PH48a, PH49a, PH16c, PH17c, PH18c, PH19c, PH46b, PH47b, PH48b, PH49b, PH20a, PH21a, PH22a, PH23a, PH24a, PH25a, PH26a, PH27a, PH32a, PH33a, PH52a, PH53a, PH54a, PH55a, PH56a, PH57a, PH50a, PH51a, PH26b, PH27b, PH26c, PH27c, PH56b, PH57b
Ladder (LA)	LA05a, LA06a, LA01a, LA02a, LA09a, LA03a, LA04a, LA01b, LA02b, LA09b, LA03b, LA04b, LA11a, LA12a, LA13a, LA14a, LA15a, LA16a, LA17a, LA18a, LA31a, LA32a, LA33a, LA34a, LA35a, LA36a, LA37a, LA38a, LA11b, LA12b, LA13b, LA14b, LA15b, LA16b, LA17b, LA18b, LA19a, LA20a, LA21a, LA22a, LA23a, LA24a, LA25a, LA26a, LA43a, LA44a, LA45a, LA46a, LA23b, LA24b, LA25b, LA26b
Two Step Ladder (TS)	TS01a, TS01b, TS02a, TS02b, TS03b, TS22a, TS05a, TS06a, TS07a, TS08a, TS09a, TS10a, TS11a, TS12a, TS15a, TS16a, TS17a, TS18a, TS19a, TS20a, TS21a, TS22a
Rope Ladder (RL)	RL01a, RL02a, RL05a, RL06a, RL07a, RL08a, RL09a, RL10a, RL11a, RL12a, RL15a, RL16a, RL19a, RL20a
Rock wall (RW)	RW01a, RW02a, RW01b, RW02b, RW03b, RW31a, RW32a, RW33a, RW05a, RW06a, RW07a, RW08a, RW09a, RW10a, RW11a, RW12a, RW40a, RW41a, RW15a, RW16a, RW17a, RW18a, RW19a, RW20a, RW46a, RW47a
Ramp (RA)	RA01b, RA02b, RA03a, RA04a, RA21a, RA05a, RA06a, RA07a, RA08a, RA05b, RA06b, RA07b, RA08b, RA11a, RA12a, RA09b, RA10b, RA11b, RA12b
Net (NA, NS)	NA01a, NA02a, NS01a, NS02a, NS03a, NS21a, NA04a, NA05a, NS04a, NS05a, NS06a, NS07a, NA08a, NA09a, NS08a, NS09a
Boat (BO)	BO01a
Market (MT) & Target Canvas (TC)	MT01a, MT02a, TC01a, TC02a, MT01b, MT02b, TC01b, TC02b, MT05a, MT06a, MT11a, MT12a
Picnic (PC)	PC01a, PC01b, PC05a, PC06a, PC09a, PC10a
Gymnastics bar (GY)	GY01a
Fireman's pole (FP)	FP01a, FP02a, FP04a, FP05a, FP06a, FP07a, FP23a, FP24a, FP25a, FP26a, FP27a, FP28a
Slides (SL)	SL01a, SL02a, SL03a, SL06a, SL07a, SL08a, SL09a, SL10a, SL11a, SL12a, SL13a, SL26a, SL27a, SL28a, SL29a
Swing (SM)	SW17a, SW21a, SW18a, SW22a, SW19a, SW23a, SW01a, SW05a, SW02a, SW06a, SW03a, SW07a, SW09a, SW13a, SW10a, SW14a, SW11a, SW15a
Climb (CL)	CL17a, CL21a, CL18a, CL22a, CL19a, CL23a, CL01a, CL05a, CL02a, CL06a, CL03a, CL07a, CL09a, CL13a, CL10a, CL14a, CL11a, CL15a
Universal Beam (UB)	UB01a, UB04a, UB02a, UB05a, UB03a, UB06a, UB07a, UB08a
Accessories (AC)	AC40a, AC30a, AC31a, AC32a, AC33a, AC01a, AC05a, AC07a, AC03a, AC04a, AC06a, AC23a, AC22a, AC24a, AC21a, AC25a, AC02a, AC09a, AC08a, AC10a

Construction packages

a. Assembly kits for complete climbing frames - Bausätze für komplette Klettergerüste - Kits de construction pour structures d'escalade complètes

Playtowers	401_015, 401_080, 401_125, 402_201, 402_202, 402_204, 402_206, 402_208, 403_202, 403_204, 403_206, 403_208, 403_210, 409_802, 409_804
Swings	401_300, 401_600
Modules	457_005, 457_102, 457_103, 457_106, 457_107, 457_205

b. Assembly packs for climbing frames elements - Baupakete für Klettergerüst-Elemente - Packs de construction pour éléments de structures d'escalade

Sub assemblies	194_002, 194_003, 194_004, 194_006, 194_007, 194_008, 194_009, 194_010, 194_011, 194_100, 194_101, 194_102, 194_103, 194_104, 194_105, 194_107, 194_108, 194_109, 194_110, 194_111, 194_112, 194_113, 194_114, 194_115, 194_116, 194_117, 194_118, 194_119, 194_300, 194_308, 194_312, 194_500, 194_501, 194_508, 194_510, 194_802, 194_804, 194_809, 194_810, 194_811, 194_812
----------------	---

Accessories and components - Zubehör und Komponenten - Accessoires et composants

Slides XL	324_100, 324_200, 324_300, 324_400, 324_500, 324_600
Slides XXL	334_100, 334_200, 334_300, 334_400, 334_500, 334_600
Fireman's pole	201_275
Climbing	201_060, 201_273
Imagination	201_280, 201_285, 201_290, 201_295, 202_473, 450_310, 450_320, 450_330
Swinging	250_001, 250_013, 250_025, 250_034, 250_053
Functional	123_220, 123_222, 123_230, 201_115, 201_220, 201_250, 201_260, 201_270, 202_620, 202_621, 202_622, 202_623, 202_624, 202_625, 202_626, 202_627, 202_628, 202_629, 202_824, 250_065, 250_070, 250_075

Applicable EU and UK directives and standards

General

- Product Safety Regulation (GPSR 2023/988/ EC)
- UK General Product Safety Regulations 2005 (GPSRs SI 2005/1803)
- General Product Safety Regulations 2005 (GPSRs SI 2005/1803)
- Reach directive 1907/2006
- AfPS GS 2019:01 PAK

Activity Toys

- Toy Safety Directive (TSD 2009/48/EC)
- UK Toys (Safety) Regulations 2011 (TSR SI 2011/1881)
- Harmonised European and UK toy standard (EN 71-1 -2,-3, and -8).

Additional audits

Test reports / Certificate: TÜV Rheinland Product Safety GmbH
Prüfbericht / Zertifikat: Am Grauen Stein, 51105 Köln, Germany
Rapport d'essai / certificate: Zertifikat: R 60010766, R 60024578
Prüfbericht: 21115718_003/004/005, 21140630_001/002

Dekra Automobil GmbH
Handwerkstraße 15, 70565 Stuttgart, Germany
Prüfbericht: 340331500_55245585/13-2

Laboratoire National de métrologie et d'essais (LNE)
29 Avenue Roger Hennequin, 78197 Trappes Cedex, France
Revue documentaire: K080196

Design

Product image:
Produktbild:
Image du produit:

Design code:

Y Z Y p b H

Production date:

21-11-2024



Declaration

This declaration of conformity is issued solely under the responsibility of the manufacturer, who asserts that the aforementioned products comply with the applicable directives and harmonized standards, provided that installation, assembly, and maintenance are performed in accordance with the instructions supplied.

Diese Konformitätserklärung wird ausschließlich unter der Verantwortung des Herstellers ausgestellt, der erklärt, dass die genannten Produkte den geltenden Richtlinien und harmonisierten Standards entsprechen, vorausgesetzt, dass Installation, Montage und Wartung gemäß den bereitgestellten Anweisungen durchgeführt werden.

Cette déclaration de conformité est émise uniquement sous la responsabilité du fabricant, qui affirme que les produits mentionnés ci-dessus sont conformes aux directives applicables et aux normes harmonisées, à condition que l'installation, le montage et l'entretien soient réalisés conformément aux instructions fournies.

Manufacturer details

Jungle Gym B.V.
P.O. Box 75083
1059 CD Amsterdam,
Netherlands
info@junglegym.com
+31 85 44 44 100

Jungle Gym
BACKYARD PLAYGROUNDS
— since 1988 —

Amsterdam, November 1st, 2024

On behalf of the manufacturer
Jungle Gym B.V.


Paul Schmit
CEO