

Assembly instructions

Activity toys to be assembled by adults for outdoor domestic use.

Montageanleitung

Aktivitätsspielzeug zum Zusammenbauen durch Erwachsene für den Einsatz im häuslichen Außenbereich.

Instructions de montage

Jouets d'activité à assembler par des adultes pour une utilisation extérieure familial.

2

PART

Design Code : **9chsM6**

Article Number : **211560**

Product Name : **Hotel 2-Climb 3.0**



Manual ID: 048_067_2612

360°



Jungle Gym

BACKYARD PLAYGROUNDS

since 1988

Assembly
time



hours
by 2 adults



EN. Warning! Only for domestic use. Maximum number of users is **23**. **DE.** Achtung! Nur für den Hausgebrauch. Maximale Benutzerzahl: **23**. **FR.** Attention! Réserve à un usage familial. Le nombre maximal d'utilisateurs est de **23**. **BG.** Внимание! За употреба само в домашни условия. Максималният брой потребители е **23**. **CS.** Varování! Jen pro domácí použití. Maximální počet uživatelů je **23**. **DA.** Advarsler! Kun til privat brug. Maksimum antal brugere er **23**. **EL.** Προειδοποίηση! Μόνο για οικιακή χρήση. Μέγιστος αριθμός χρηστών **23**. **ES.** Advertencias! Sólo para uso doméstico. Número máximo de usuarios: **23**. **ET.** Hoiatused! Ainult koduseks kasutamiseks. Maksimaalne kasutajate arv on **23**. **FI.** Varoitukset! Ainoastaan kotikäyttöön. Käyttäjää yhteensä enintään **23**. **HR.** Upozorenja! Samo za uporabu u domu. Maksimalan broj korisnika je **23**. **HU.** Figyelmeztetések! Csak otthoni használatra! A használók max. száma: **23**. **IS.** Varnaðarorð! Eingöngu fyrir einkanoðkun í heimahúsum og á einkalóum. Hámarksfjöldi notenda er **23**. **IT.** Avvertenze! Solo per uso domestico. Massimo numero di utenti è **23**. **LT.** Dėmesio! Tik būtiniam naudojimui. Maksimalus naudotojų skaičius **23**. **LV.** Brīdinājumi. Izmantot tikai mājās. Maksimālais lietotāju skaits ir **23**. **NL.** Waarschuwing! Uitsluitend voor huishoudelijk gebruik. Het maximale aantal gebruikers is **23**. **NO.** Advarsler! Kun for privat bruk. Maksimalt antall brukere er **23**. **PL.** Ostrzeżenia! Wyłącznie do użytku domowego. Maksymalna liczba użytkowników to **23**. **PT.** Avisos! Apenas para uso doméstico. O número máximo de utilizadores é **23**. **RO.** Avertismente! Numai pentru uz domestic. Numărul maxim de utilizatori este **23**. **SK.** Upozornenia! Iba na domáce použitie. Maximálne množstvo osôb je **23**. **SL.** Opozorila! Samo za domačo uporabo. Maksimalno število uporabnikov je **23**. **SV.** Varningar! Endast för hemmabruk. Det maximala antalet användare är **23**.



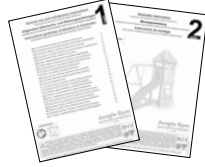


General safety notice

Allgemeine Sicherheitswarnung

Avertissement de sécurité général

OWNER'S MANUAL



Important: Before assembling and using this product, please carefully read the provided Use- and maintenance instructions ([Part 1](#)) and assembly instructions (Part 2) thoroughly.

Wichtig: Lesen Sie vor der Montage und Benutzung dieses Produkts die beiliegende Gebrauchs- und Wartungsanweisungen ([Teil 1](#)) und die Montageanleitung (Teil 2) sorgfältig durch.

Important: Avant de monter et d'utiliser ce produit, veuillez lire attentivement. Conseils d'utilisation et d'entretien ([Partie 1](#)) et les instructions de montage (Partie 2).



1-5

Part 1

Warnings!
Achtung!
Attention!



1-12

Part 1

Potential hazards
Potenzielle Gefahren
Dangers potentiels



1-7

Part 1

Installation notices
Installationsplanung
Planification de l'installation



1-14

Part 1

Assembly instructions
Montageanweisungen
Instructions de montage



1-7

Part 1

Safe play instructions
Sichere Spielanweisungen
Consignes de jeu sécurité



Customer service and support

Kundendienst und Unterstützung

Service clients et support

CONTACT



 [Frequently Asked Questions](#)

 [Häufig gestellte Fragen](#)

 [Foire aux questions](#)

 [Veelgestelde Vragen](#)





 [Contact form](#)

 [Kontaktformular](#)

 [Formulaire de contact](#)

 [Contactformulier](#)



  EU +31 85 44 44 102
International phone charges may apply.

 info@junglegym.com

 www.junglegym.com

 [instagram.com/junglegymofficial](https://www.instagram.com/junglegymofficial)

Availability:

Monday – Thursday:

CET 09:00 AM – 04:00 PM

Friday:

CET 09:00 AM – 01:00 PM



Preparatory work Vorbereitende Arbeiten Travaux préparatoires



Overview of the total delivery scope
Übersicht über den gesamten Lieferumfang
Aperçu de l'ensemble de la portée de livraison



OR



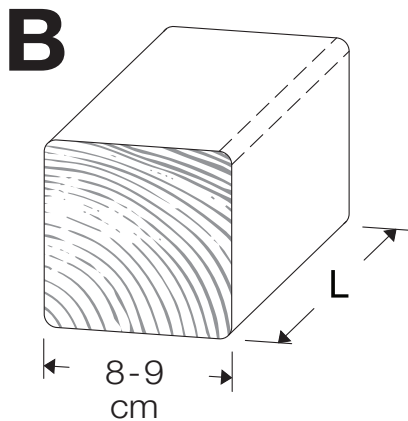
To avoid danger of suffocation, please keep the bag away from children.
Um Erstickungsgefahr zu vermeiden, halten Sie die Tüte bitte von Kindern fern.
Pour éviter tout risque d'étouffement, gardez le sac hors de portée des enfants.

Choking hazard – may not be suitable for children under 3 years.
Erstickungsgefahr – möglicherweise nicht geeignet für Kinder unter 3 Jahren.
Risque d'étouffement – peut ne pas convenir aux enfants de moins de 3 ans.

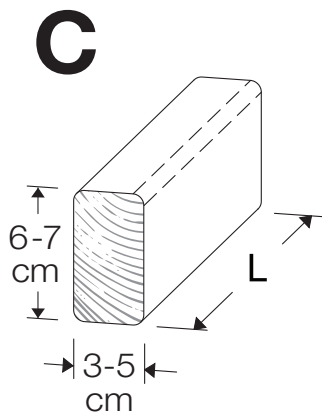


#	Sub-assembly ID	Description	FFC ID
1	BT20a	Base Tower 140_270270_145	794_001
4	ET39a	Extension Tower 140140_220_145	794_107
1	RF14b	Roof Timber Gable 140	794_207
2	BL05a	Balustrade 140_ U	794_301
4	BL06a	Balustrade 140_ T	794_301
1	BL07a	Balustrade 70/140_ U L	794_302
2	BL08a	Balustrade 70/140_ U R	794_302
1	PH22a	Playhouse 140 U L Entrance	794_312
1	PH23a	Playhouse 140 U R Entrance	794_312
2	PH27c	Playhouse 140 T Window	794_319
1	PH32a	Playhouse 140 Roof 90 set	794_314
1	PH50a	Playhouse 140 U-Low Wall	794_317
2	PH52a	Playhouse 140 U L-Low Entrance	794_315
3	PH57b	Playhouse 140 T-Low Window	794_320
1	RW46a	Rock wall 140_145 U Playhouse	794_407
1	TS17a	TwoStep Ladder 70/140_145 U L	794_412
1	MT12a	Market 140 T	794_502
1	PC10a	Picnic 140 T	794_503
1	SL26a	Slide Frame 70/140145 U L	794_901
1	FP26a	Fireman's pole 70/140_145 U R	794_911
1	UB07a	Swing Mounting Set	794_916
1	CL22b	2- Climb Module 220_Extra 3.0	750_234
1	AC01a	Accessories Set	194_119
5	AC02a	Accessories Blue Shutters	250_075
1	AC10a	Accessories Talking Tube	450_330
2	AC21a	Accessories Swing Seat	250_034
1	334_x00	Wavy Star Slide XXL	334_x00

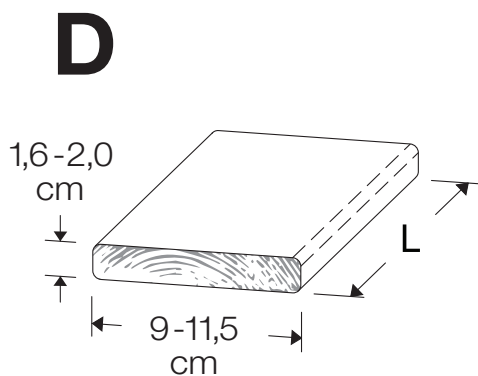
Identifying and inventorying of the individual timber parts
Identifizierung und inventarisieren der der einzelnen Holzteile
Identification et inventorier les pièces en bois individuels



B74	73 cm - 74 cm	1
B220	219 cm - 220 cm	8
B240	239 cm - 240 cm	5
B270	269 cm - 270 cm	4



C37	36 cm - 37 cm	5
C62	61 cm - 62 cm	4
C70	69 cm - 70 cm	6
C74	73 cm - 74 cm	10
C84	83 cm - 84 cm	8
C96	85 cm - 96 cm	8
C108	107 cm - 108 cm	2
C114	113 cm - 114 cm	2
C123	122 cm - 123 cm	2
C130	129 cm - 130 cm	4
C141	140 cm - 141 cm	43
C206	205 cm - 206 cm	1



D47	46 cm - 47 cm	41
D65	64 cm - 65 cm	52
D74	73 cm - 74 cm	46
D100	99 cm - 100 cm	2
D123	122 cm - 123 cm	96
D141	140 cm - 141 cm	141
D154	153 cm - 154 cm	29

Identification, inventorying, and registering of the individual assembly packs
Identifizierung, inventarisieren und registrieren der einzelnen Baupakete
Identification, inventorier et enregistrer les packs de construction individuels

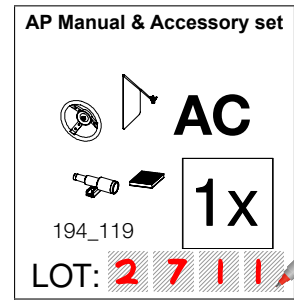
Article №:



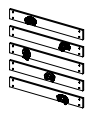
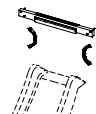


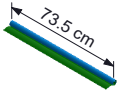


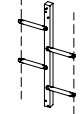


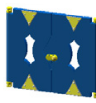

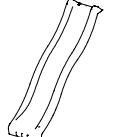

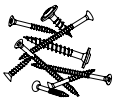
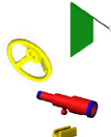


LOT ID:



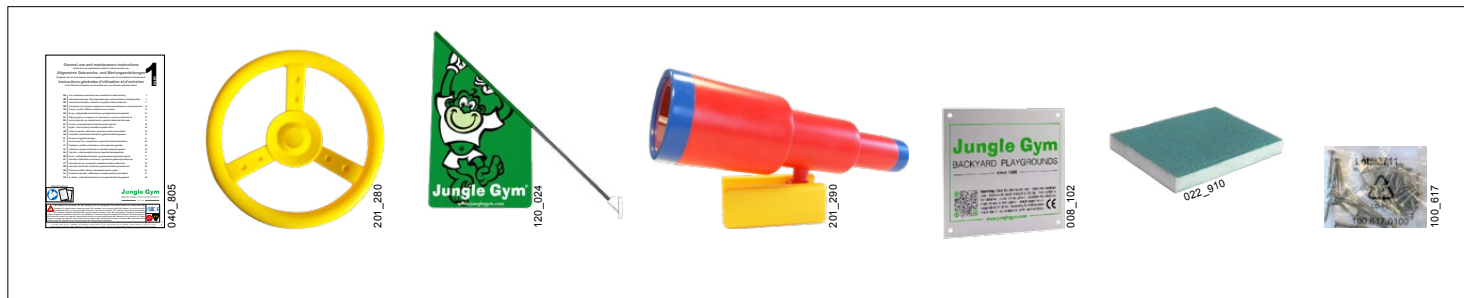
Example



<p>Hardware 01</p>  <p>H01</p> <p>194_101</p> <p>3x</p> <p>LOT: [][][][]</p>	<p>Fireman's Pole</p>  <p>FP</p> <p>201_275</p> <p>1x</p> <p>LOT: [][][][]</p>	<p>Rock Wall</p>  <p>RW</p> <p>194_006</p> <p>2x</p> <p>LOT: [][][][]</p>	<p>Slide Frame</p>  <p>SL</p> <p>194_107</p> <p>1x</p> <p>LOT: [][][][]</p>	<p>Talking Tube</p>  <p>AC</p> <p>450_330</p> <p>1x</p> <p>LOT: [][][][]</p>
<p>Hardware 10</p>  <p>H10</p> <p>194_810</p> <p>1x</p> <p>LOT: [][][][]</p>	<p>Canvas 136 x 74cm</p>  <p>73.5 cm</p> <p>123_220</p> <p>2x</p> <p>LOT: [][][][]</p>	<p>Swing Seat</p>  <p>AC</p> <p>250_034</p> <p>2x</p> <p>LOT: [][][][]</p>	<p>Hardware 04</p>  <p>H04</p> <p>194_804</p> <p>6x</p> <p>LOT: [][][][]</p>	<p>Two Step Ladder</p>  <p>TS</p> <p>194_002</p> <p>1x</p> <p>LOT: [][][][]</p>
<p>Climb Module Kit</p>  <p>CL</p> <p>457_107</p> <p>1x</p> <p>LOT: [][][][]</p>	<p>Hardware 03</p>  <p>H03</p> <p>194_501</p> <p>7x</p> <p>LOT: [][][][]</p>	<p>Shutters 2x Blue</p>  <p>AC</p> <p>250_075</p> <p>5x</p> <p>LOT: [][][][]</p>	<p>Hardware 09</p>  <p>H09</p> <p>194_809</p> <p>5x</p> <p>LOT: [][][][]</p>	<p>Slide XXL 2.6m</p>  <p>1x</p> <p>334_x00</p> <p>LOT: [][][][]</p>
<p>Tower 140</p>  <p>BT ET</p> <p>194_500</p> <p>5x</p> <p>LOT: [][][][]</p>	<p>Hardware 11</p>  <p>H11</p> <p>194_811</p> <p>1x</p> <p>LOT: [][][][]</p>	<p>Accessory Set</p>  <p>AC</p> <p>194_119</p> <p>1x</p> <p>LOT: [][][][]</p>		

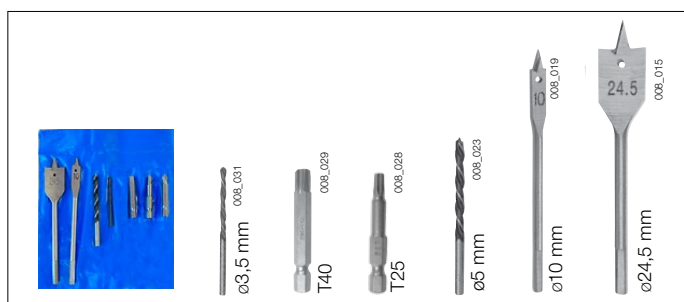
Manual ID: 048_067_2612

Overview of the contents of the standard included start package
Übersicht über den Inhalt des standardmäßig enthaltenen Startpakets
Aperçu du contenu du pack de démarrage inclus standard



194_119

Overview of the bit and drill bit references
Übersicht über die Bit- und Bohrer-Referenzen
Aperçu des références des embouts et des forêts



104_107

Overview of all hardware and part references for identification
Übersicht über alle Hardware- und Teile-Referenzen zur Identifizierung
Aperçu de toutes les références de matériel et de pièces pour identification

			#	L
			001_404 001_406 001_411 001_417 001_422	30 mm 45 mm 60 mm 80 mm 137 mm
			001_102	30 mm
			000_101	20 mm
			002_036	16 mm
			002_041	20 mm
			002_042	13 mm
			002_301	40 mm

			#	L
			002_308 002_219 002_220 002_223	20 mm 30 mm 45 mm 80 mm
			004_050	22mm
			003_010	
			003_034	
			022_845 022_846 022_847 022_848	Yellow Blue Green Red
			023_031	White
			120_005	White



Complete climbing frame identification and registration

Identifizierung und Registrierung des kompletten Klettergerüsts

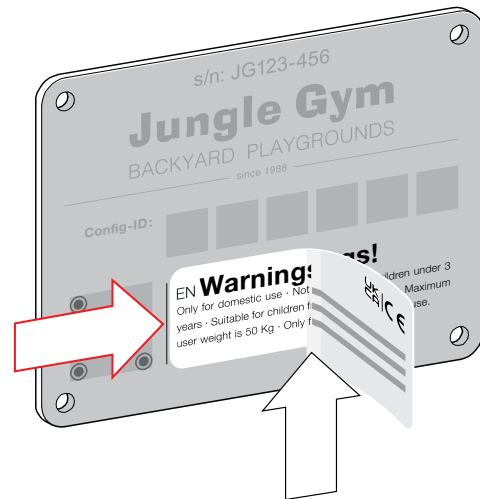
Identification et enregistrement de la structure d'escalade complète

Your Design Code
Ihr Designcode
Votre code de design



Complete climbing frame identification Identifizierung des kompletten Klettergerüsts Identification de la structure d'escalade complète

Achtung!	Attention!	Warnschwingen!
Bremsenstopp!	Vorsicht!	Achtlos!
Problemlösung!	Wartung!	Haltezeit!
Vorsicht!	Upozorenie!	Flugverbot!
Viduvost!	Avvertenze!	Spelmaat!
Brüdnijum!	Advarst!	Ostraznial!
Avbost!	Avvertiment!	Upozornenie!
Opozornial!	Varningar!	Warning!



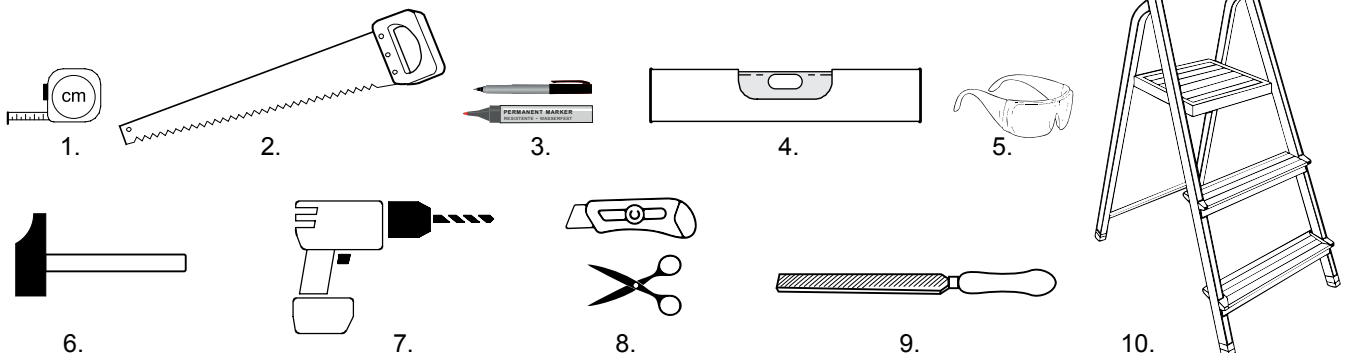
Manual ID: 048_067_2612



Required tools and materials

Benötigtes Werkzeug und Materialien

Outils et matériaux nécessaires

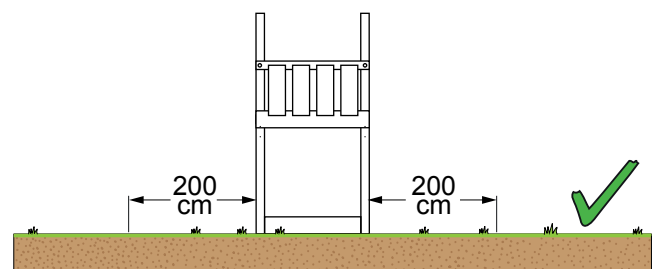
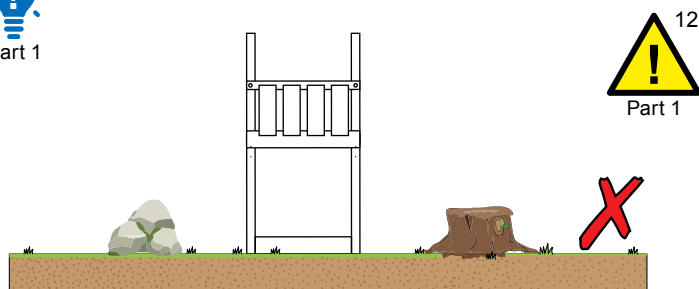
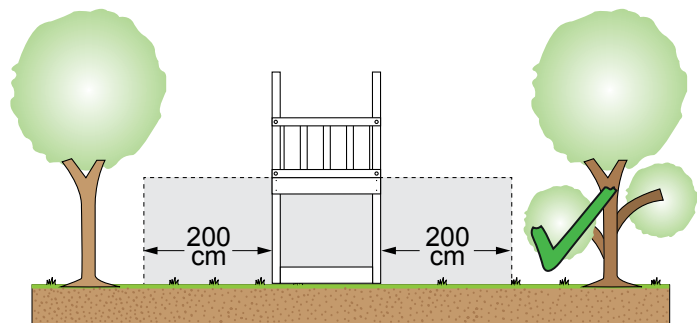
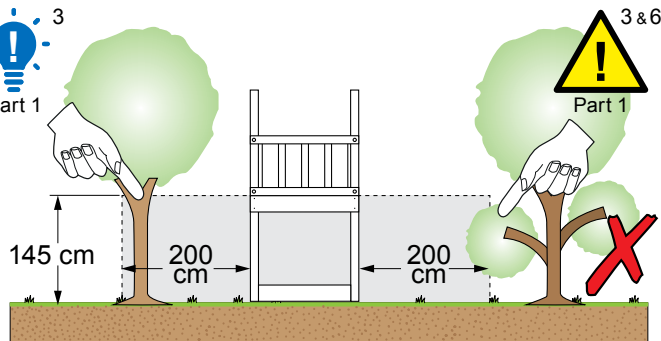
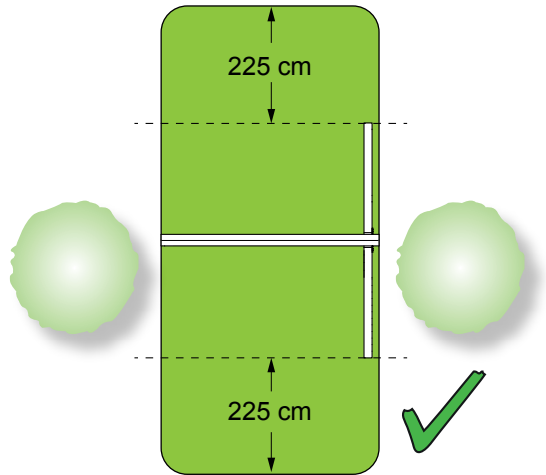
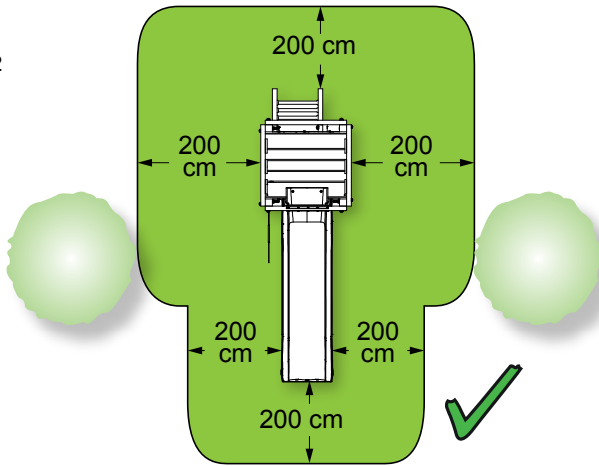
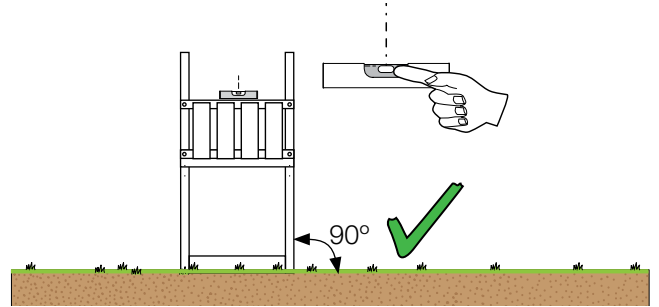
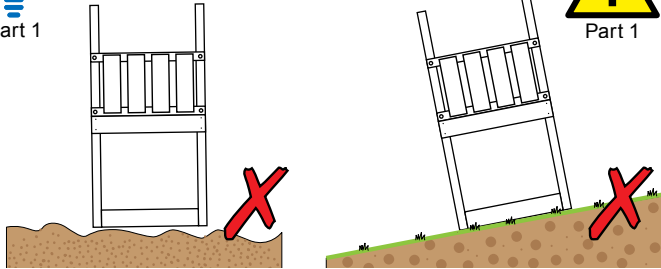




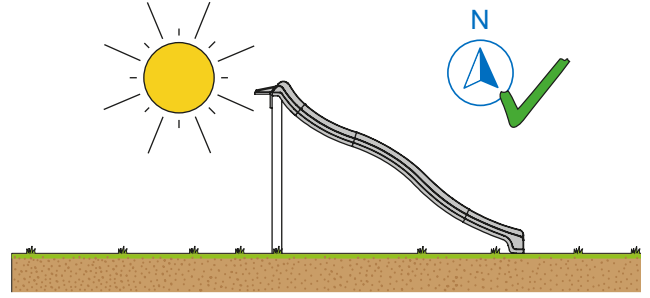
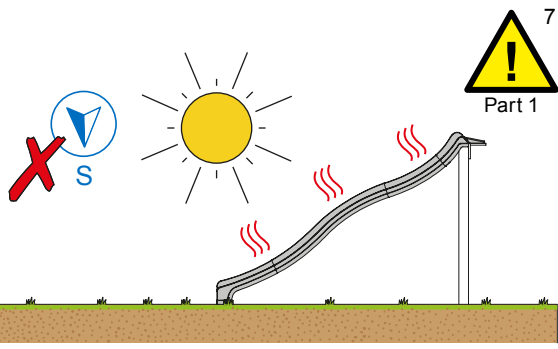
Installation and safety notices

Installationsplanung und Sicherheitshinweise

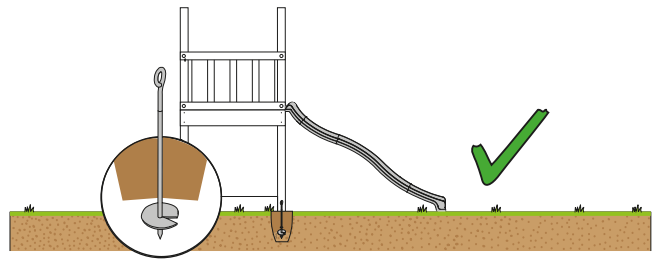
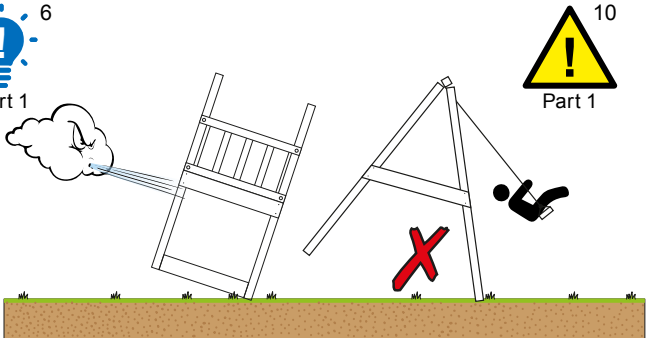
Planification de l'installation et avis de sécurité



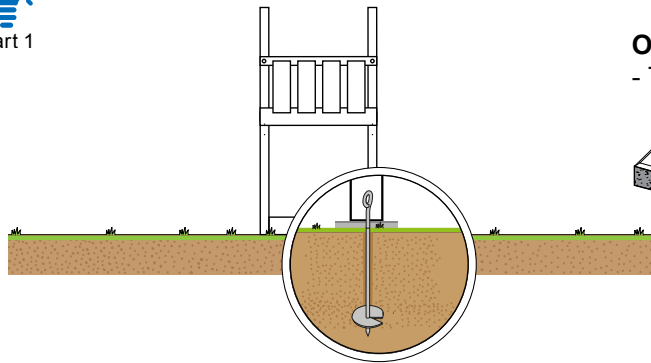
5
Part 1



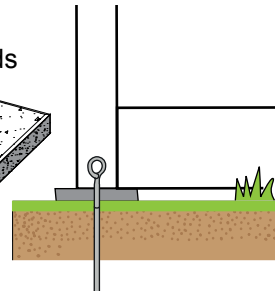
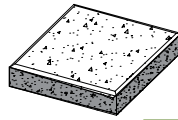
6
Part 1



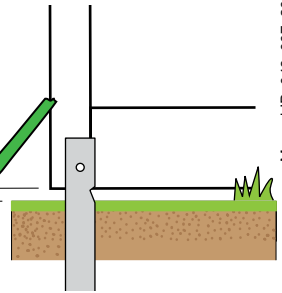
7
Part 1



Optional:
- Tiles/Pads



2 cm

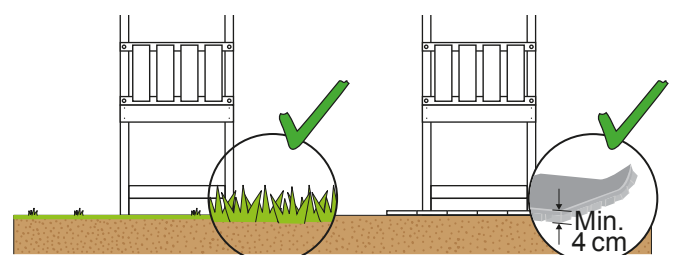
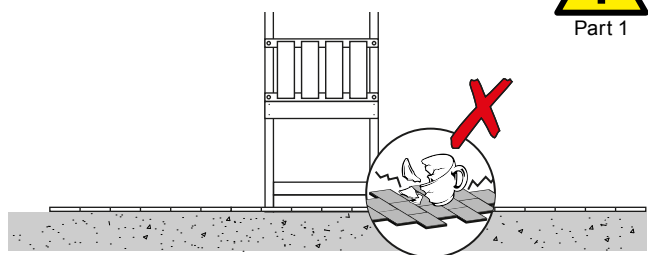


Manual ID: 048_067_2612



Shock absorbing surfaces Stoßdämpfende Oberflächen Surfaces d'absorption des chocs

6
Part 1





Assembly instructions and safety notices

Montageanweisungen und Sicherheitswarnungen

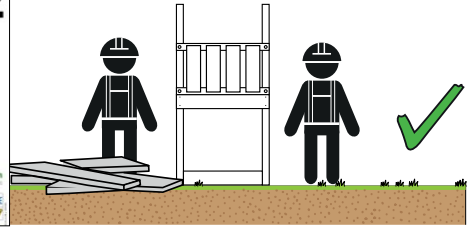
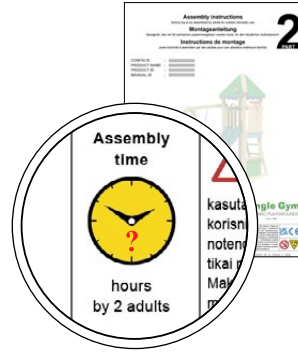
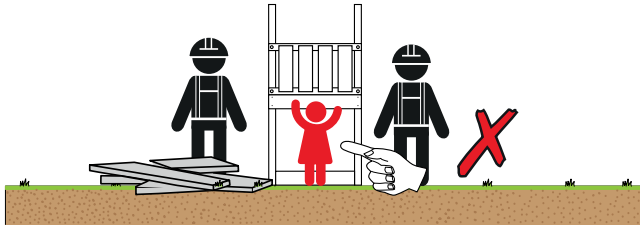
Instructions de montage et avis de sécurité



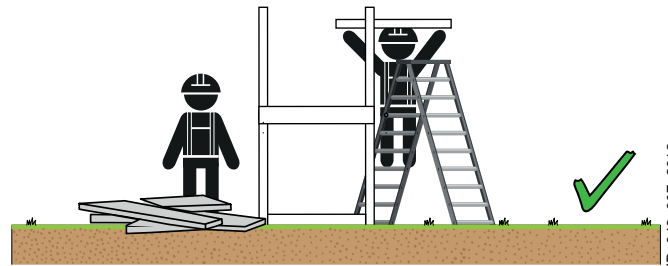
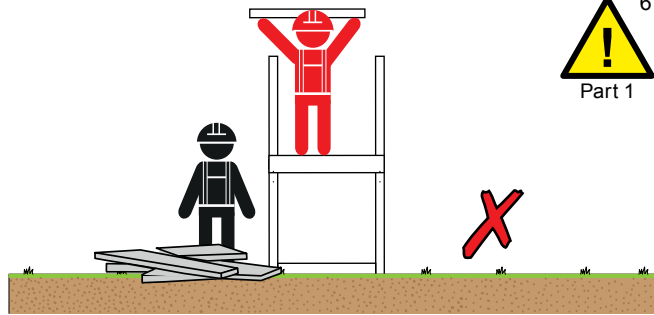
Part 1



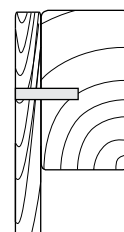
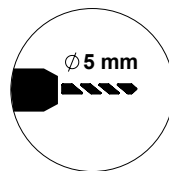
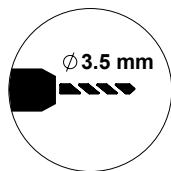
Part 1

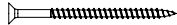


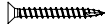
Part 1




Part 1

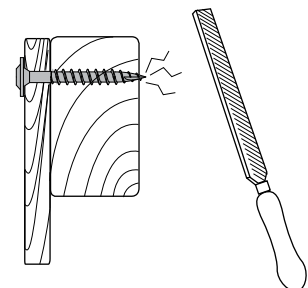
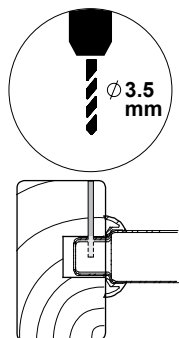


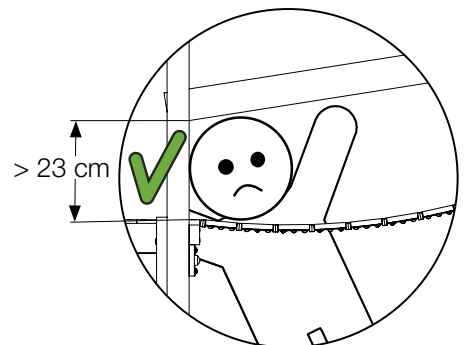
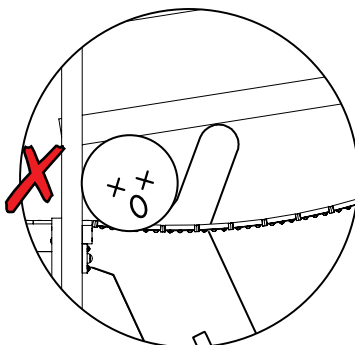
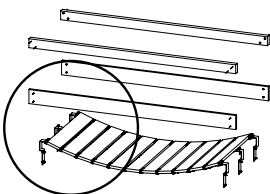
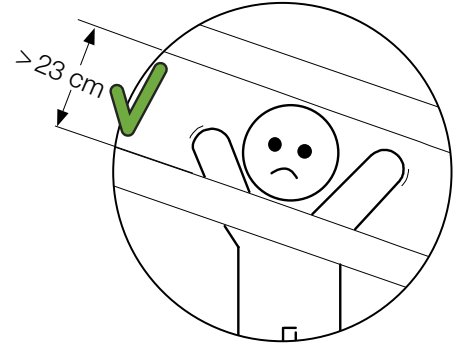
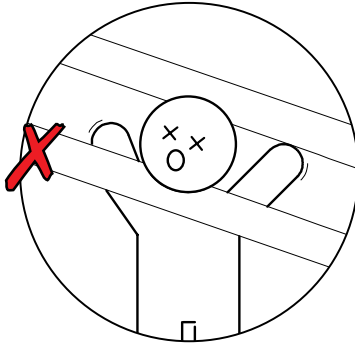
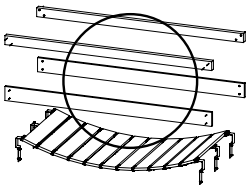
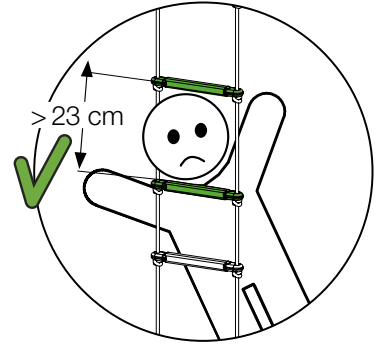
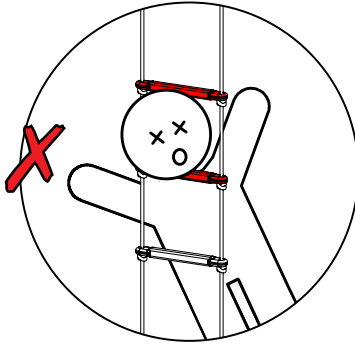
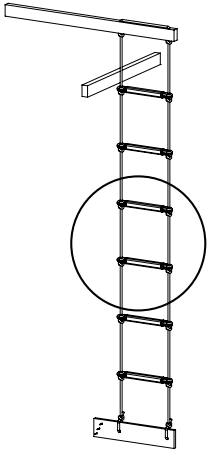
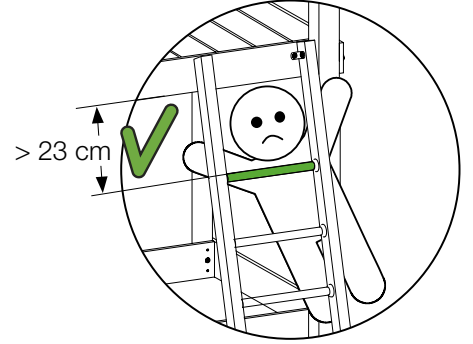
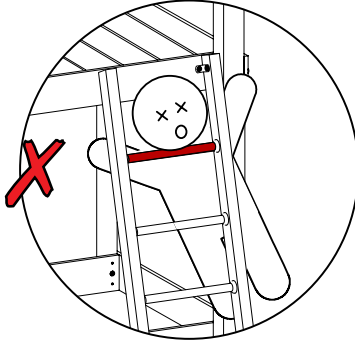
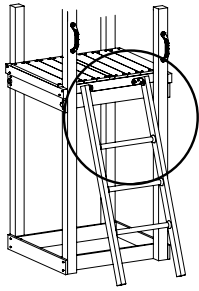
80mm 

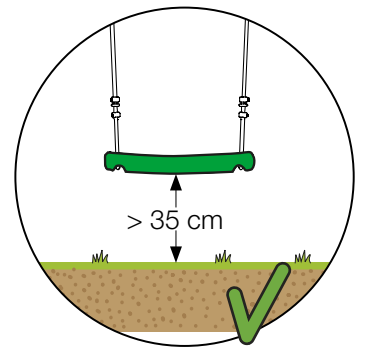
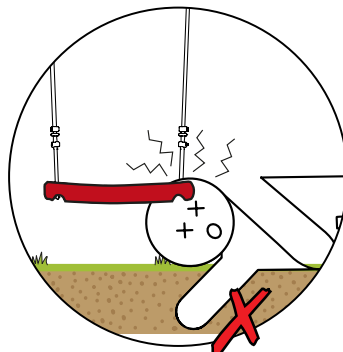
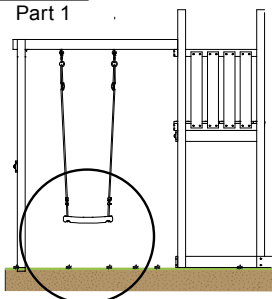
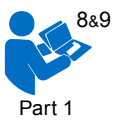
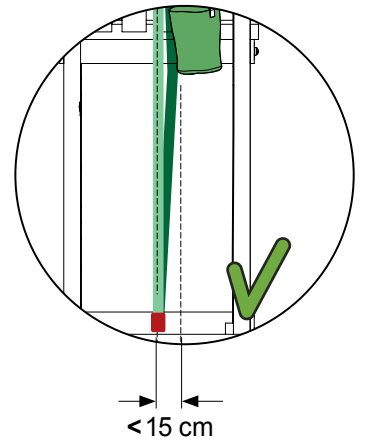
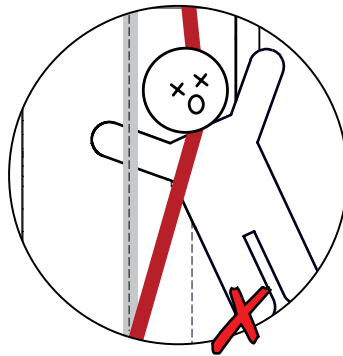
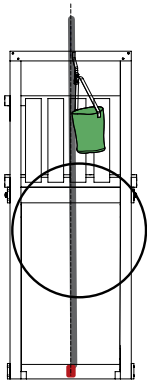
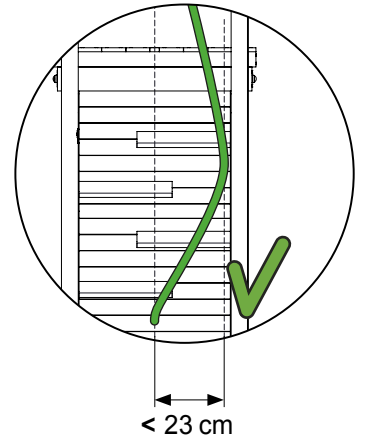
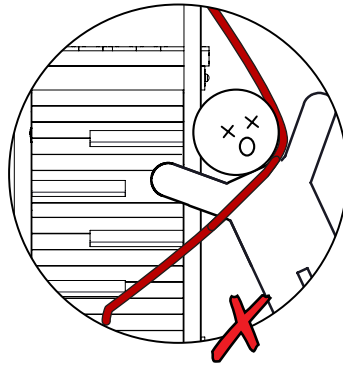
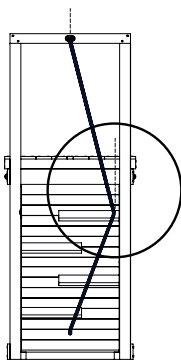
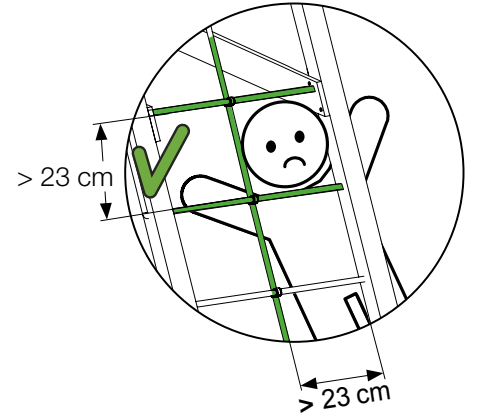
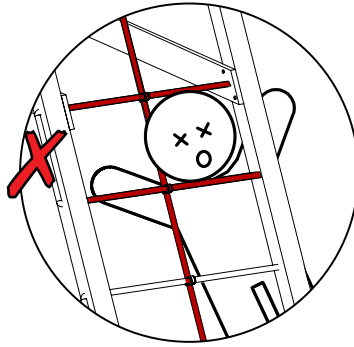
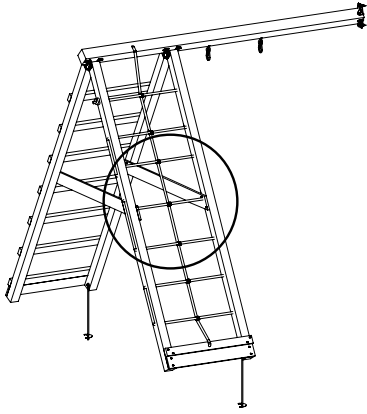
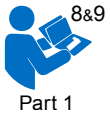
45mm 

80mm 

45mm 









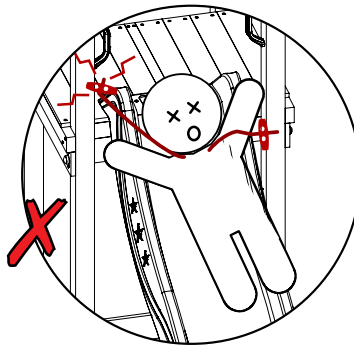
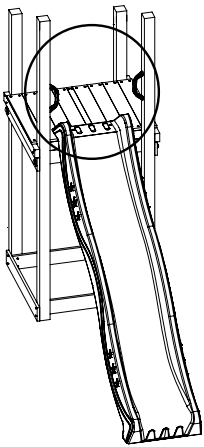
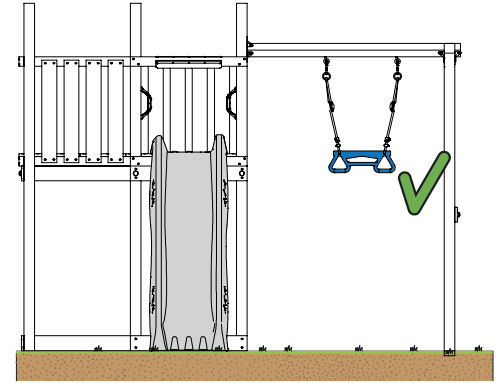
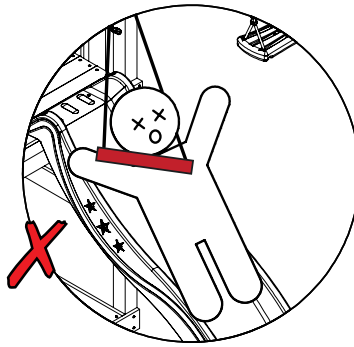
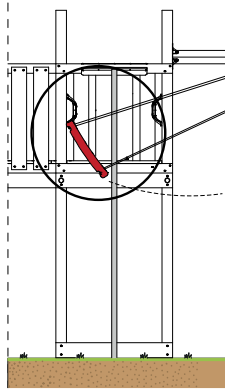
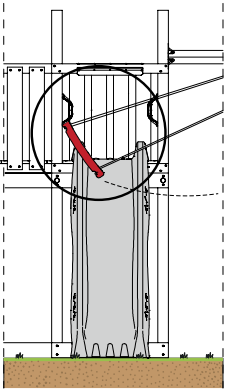
10



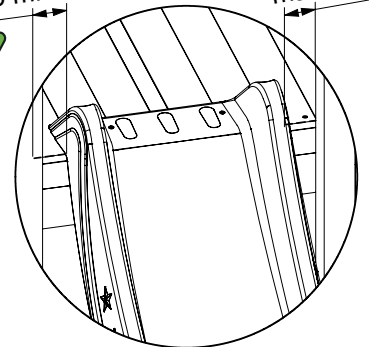
4&9

Part 1

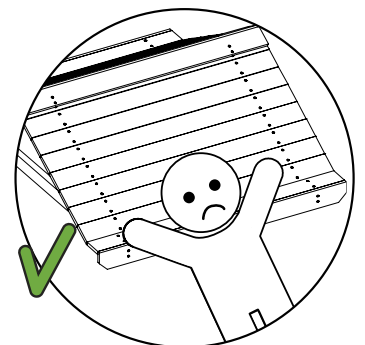
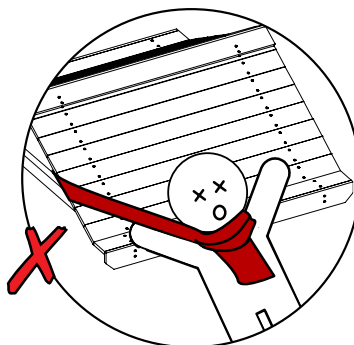
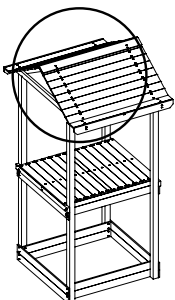
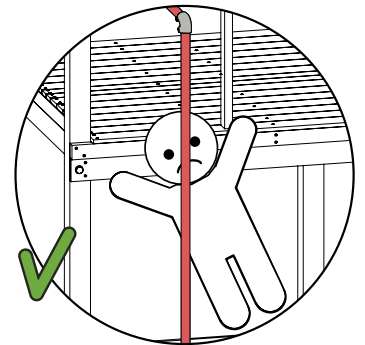
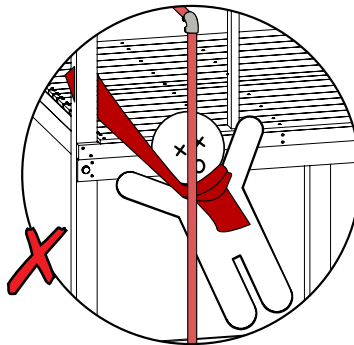
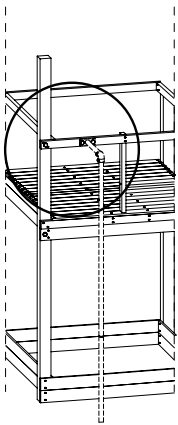
Part 1



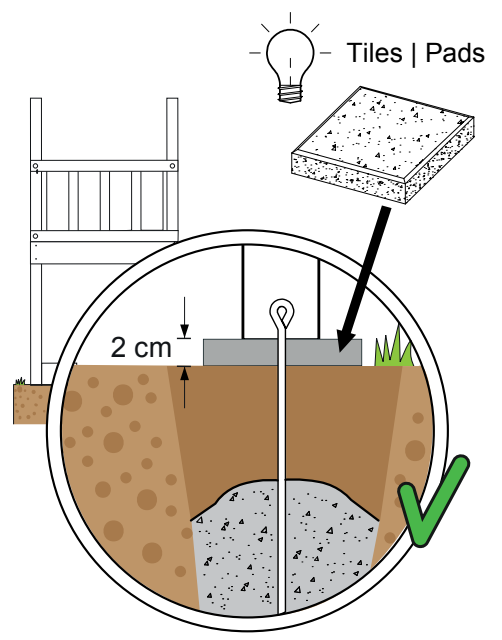
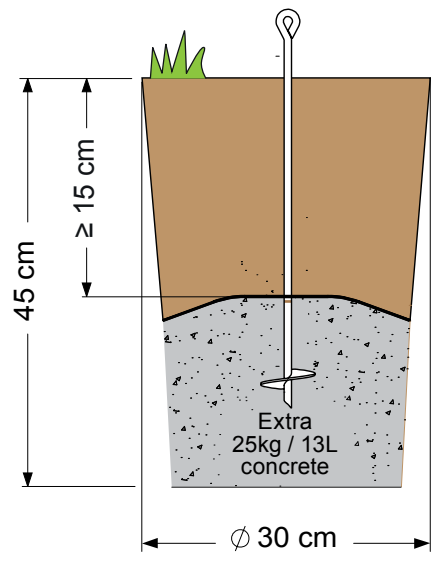
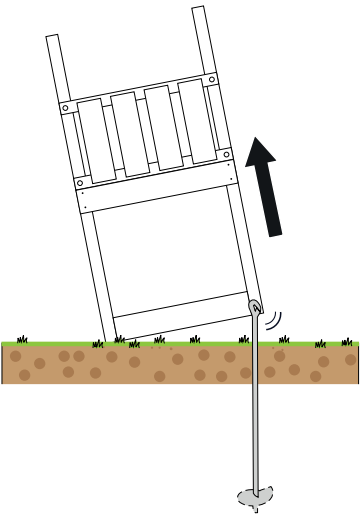
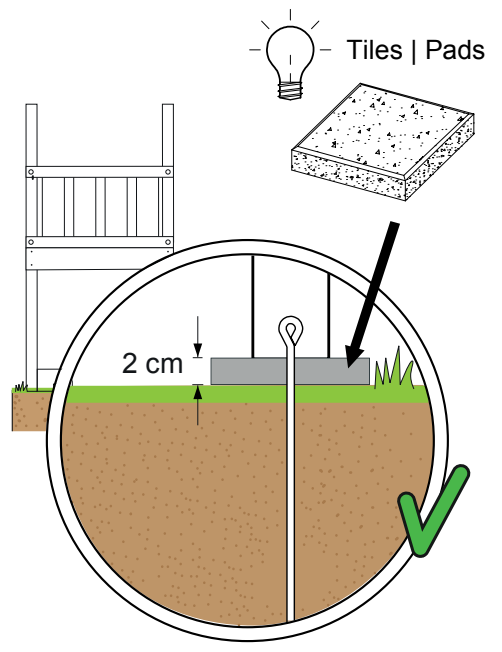
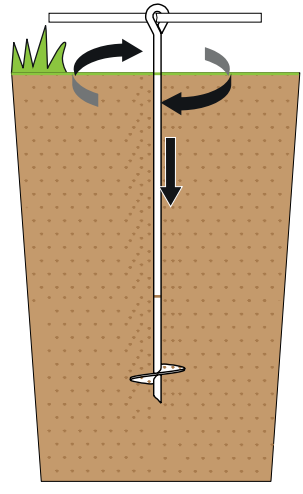
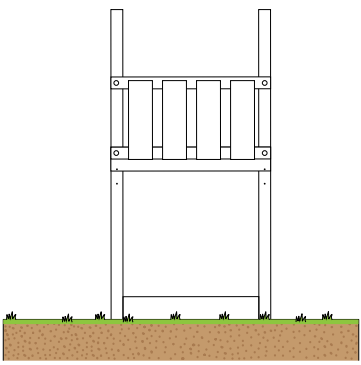
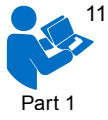
min. 26 mm
max. 75 mm



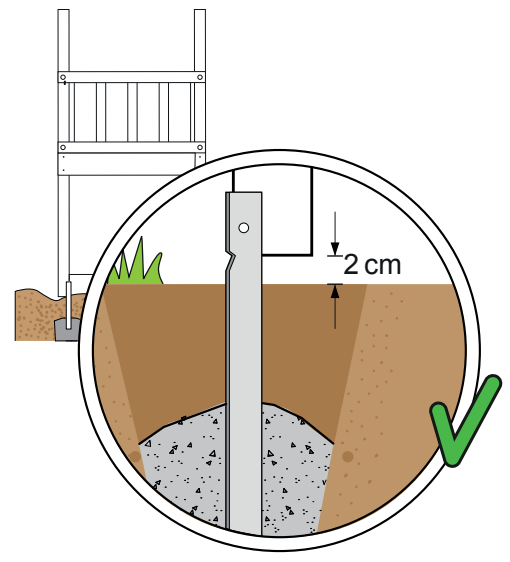
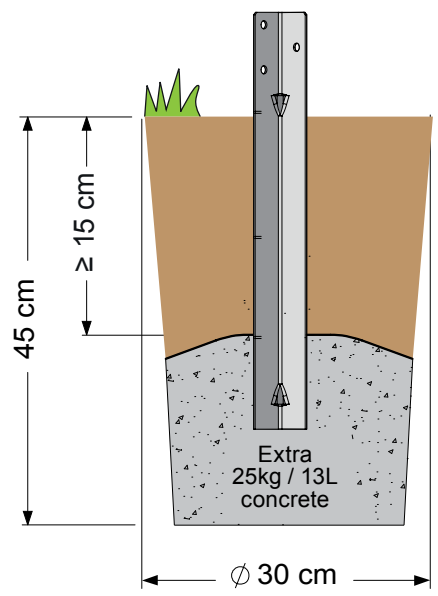
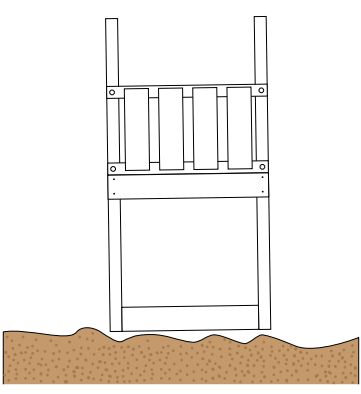
min. 26 mm
max. 75 mm



Manual ID: 048_067_2612

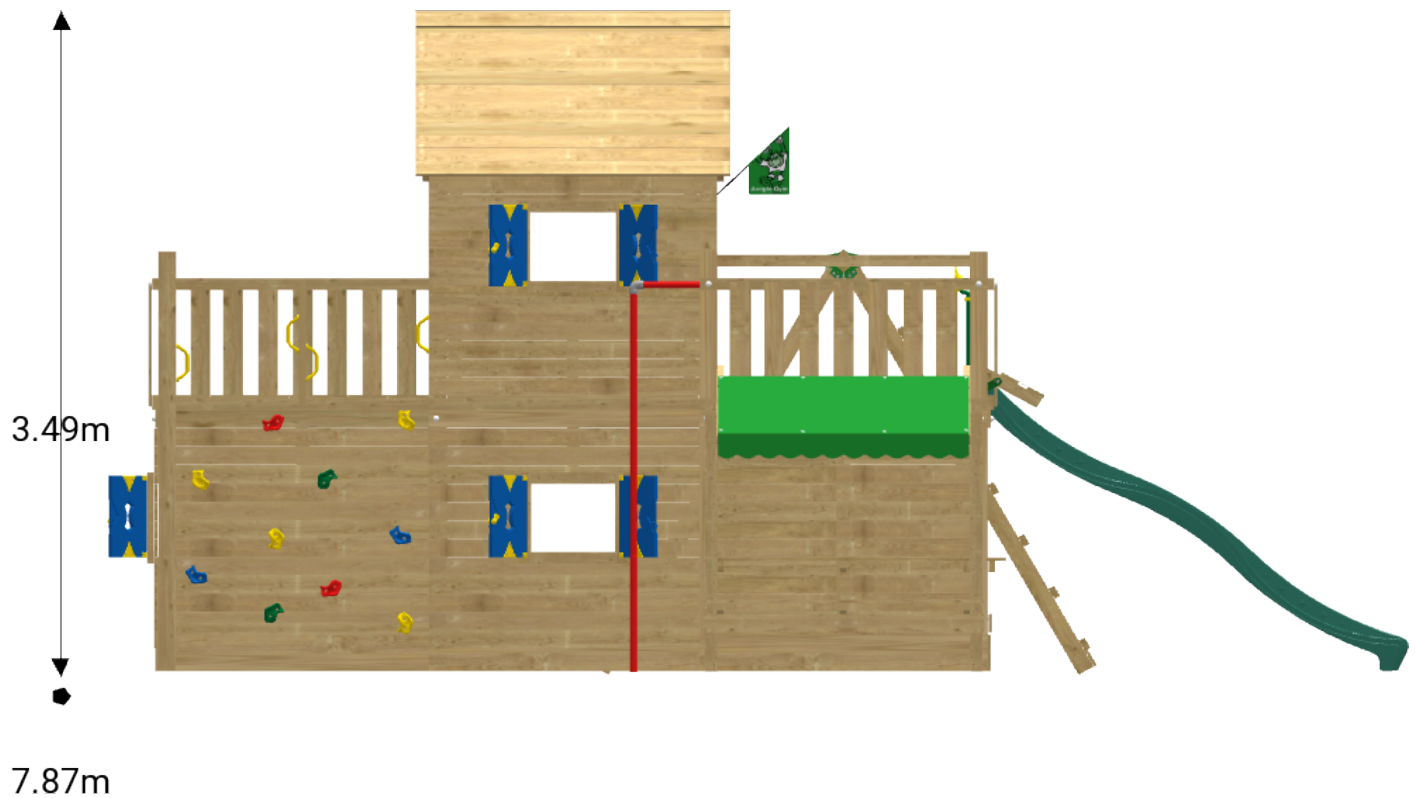
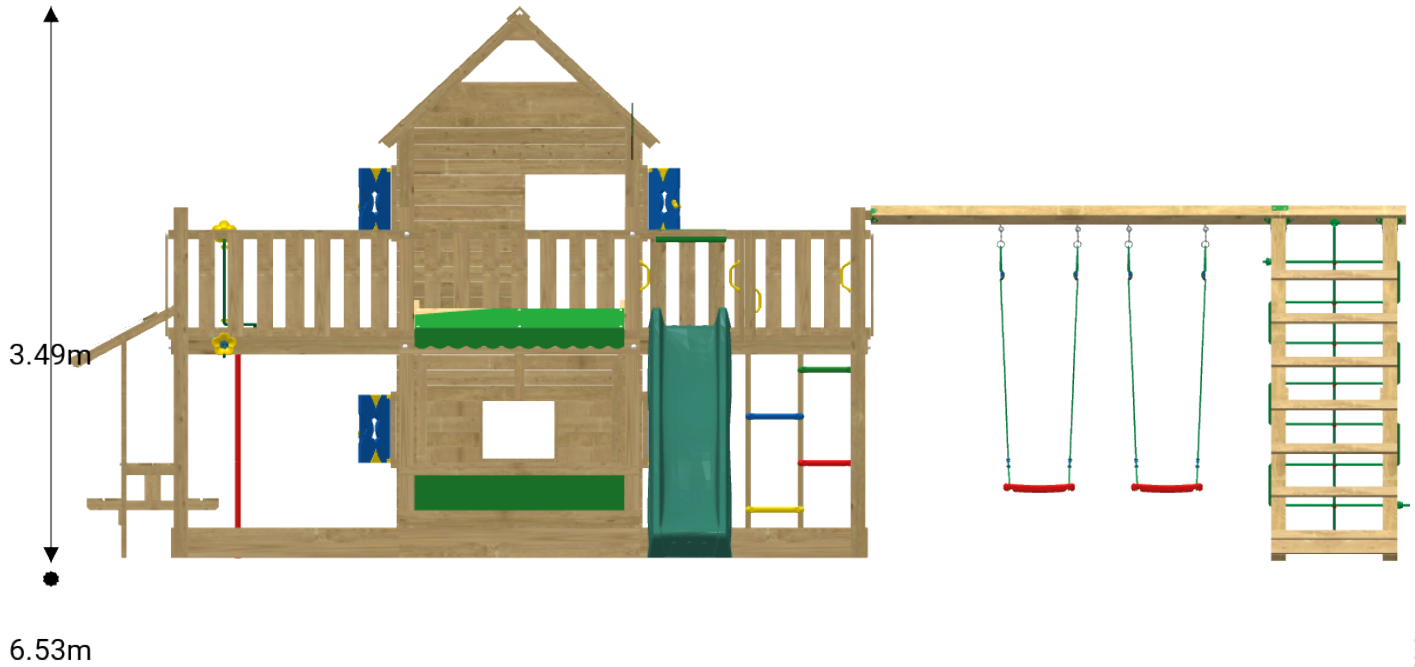


Optional: Post anchors





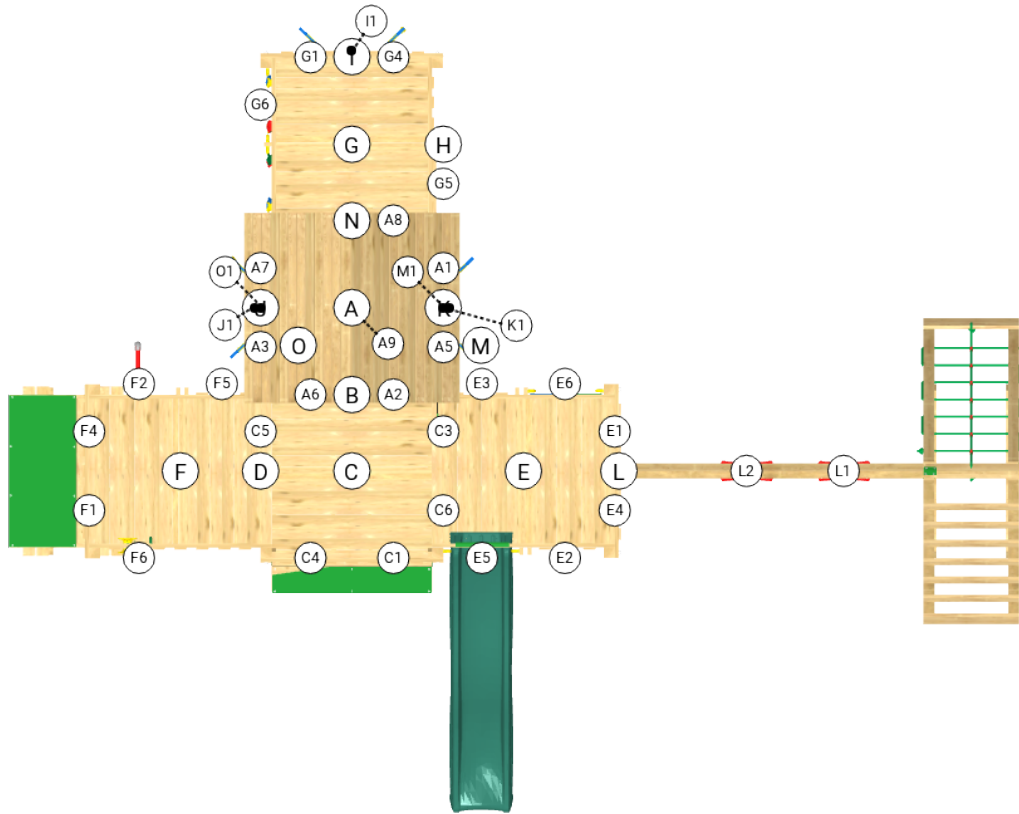
Dimensions Abmessungen Dimensions



Manual ID: 048_067_2612

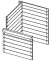
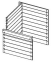

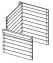
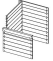
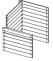
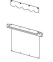





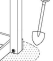
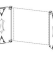



Assembly sequence Montagereihenfolge Séquence d'assemblage



	ID			A	B	C	D	E	F	G	H	I	J	K	L	M	N
1	BT20a		p.19	✓	-	-	-	-	-	-	-	-	-	-	-	-	-
2	ET39a		p.22	-	-	✓	-	✓	✓	✓	-	-	-	-	-	-	-
3	BL05a		p.25	-	-	-	-	-	F6	G5	-	-	-	-	-	-	-
4	BL06a		p.26	-	-	C4	-	E4	F4	G4	-	-	-	-	-	-	-
5	BL07a		p.27	-	-	-	-	-	F5	-	-	-	-	-	-	-	-
6	BL08a		p.28	-	-	-	-	E2, E3	-	-	-	-	-	-	-	-	-
7	RF14b		p.29	A9	-	-	-	-	-	-	-	-	-	-	-	-	-
8	TS17a		p.32	-	-	-	-	E6	-	-	-	-	-	-	-	-	-
9	PH22a		p.34	-	-	-	-	-	-	-	-	-	-	-	-	-	✓
10	PH23a		p.36	-	✓	-	-	-	-	-	-	-	-	-	-	-	-

Manual ID: 048_067_2612

	ID			A	B	C	D	E	F	G	H	I	J	K	L	M	N
11	PH27c		p.38	-	-	-	-	-	-	-	-	-	-	-	-	✓	-
12	PH32a		p.41	A9	-	-	-	-	-	-	-	-	-	-	-	-	-
13	RW46a		p.43	-	-	-	-	-	-	G6	-	-	-	-	-	-	-
14	PH50a		p.45	-	-	C3	-	-	-	-	-	-	-	-	-	-	-
15	PH52a		p.46	-	-	-	✓	-	-	-	✓	-	-	-	-	-	-
16	PH57b		p.48	-	-	-	-	-	-	-	-	✓	✓	✓	-	-	-
17	MT12a		p.52	-	-	C1	-	-	-	-	-	-	-	-	-	-	-
18	PC10a		p.56	-	-	-	-	-	F1	-	-	-	-	-	-	-	-
19	UB07a		p.60	-	-	-	-	-	-	-	-	-	-	-	✓	-	-
20	CL22b		p.62	-	-	-	-	-	-	-	-	-	-	-	✓	-	-
21	SL26a		p.75	-	-	-	-	E5	-	-	-	-	-	-	-	-	-
22	FP26a		p.78	-	-	-	-	-	F2	-	-	-	-	-	-	-	-
23	GA		p.79	✓	-	✓	-	✓	✓	✓	-	-	-	-	✓	-	-
24	AC02a		p.81	-	-	-	-	-	-	-	-	I1	J1	K1	-	M1	-
25	AC01a		p.82	✓	-	-	-	-	-	-	-	-	-	-	-	-	-

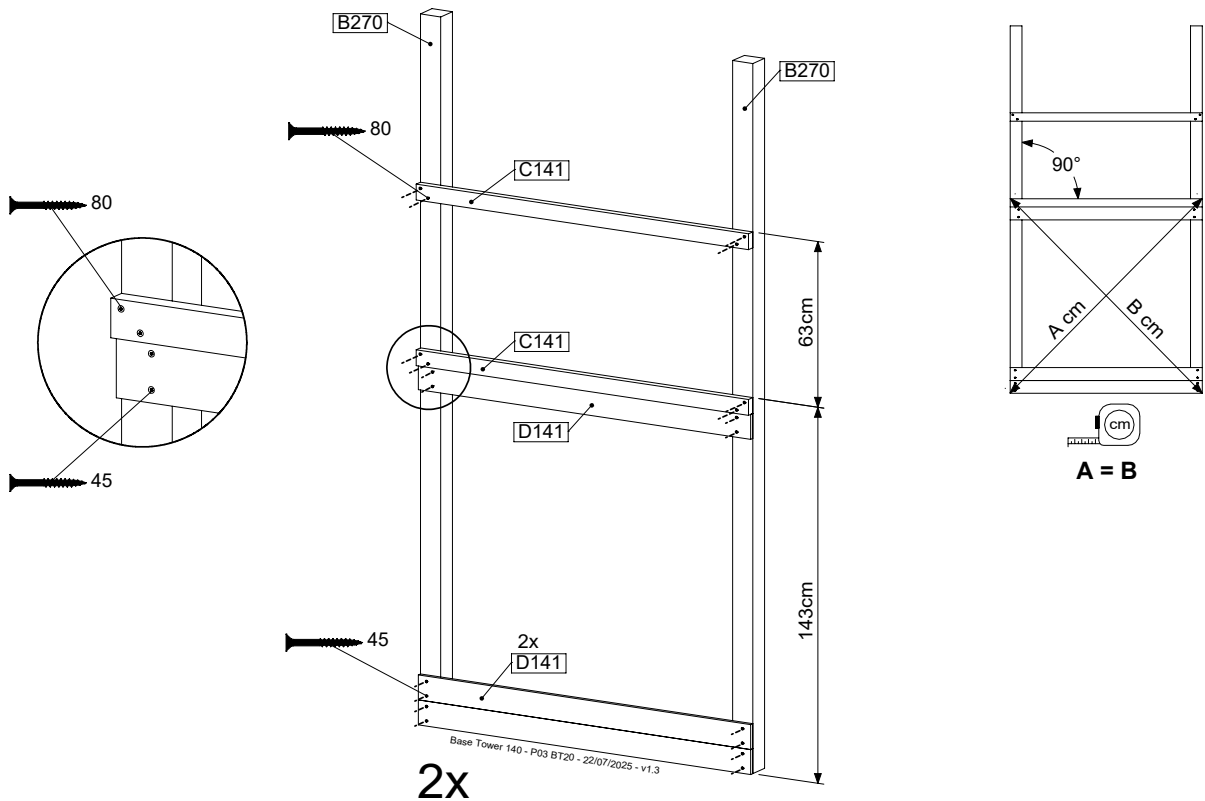
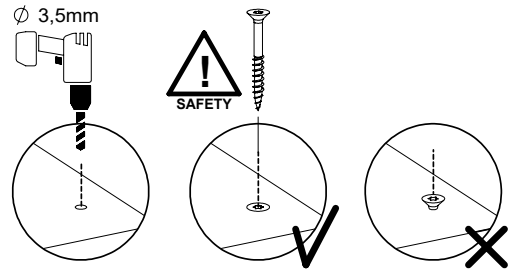
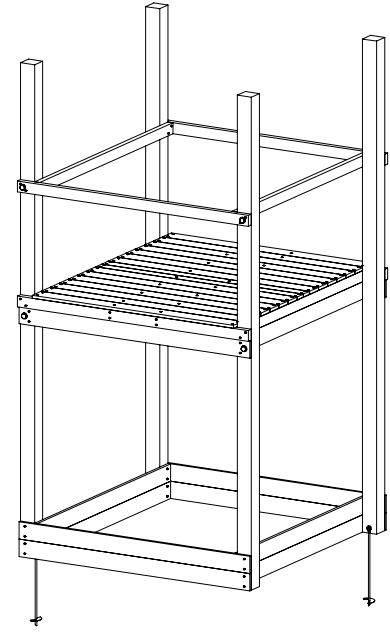
Manual ID: 048_067_2612

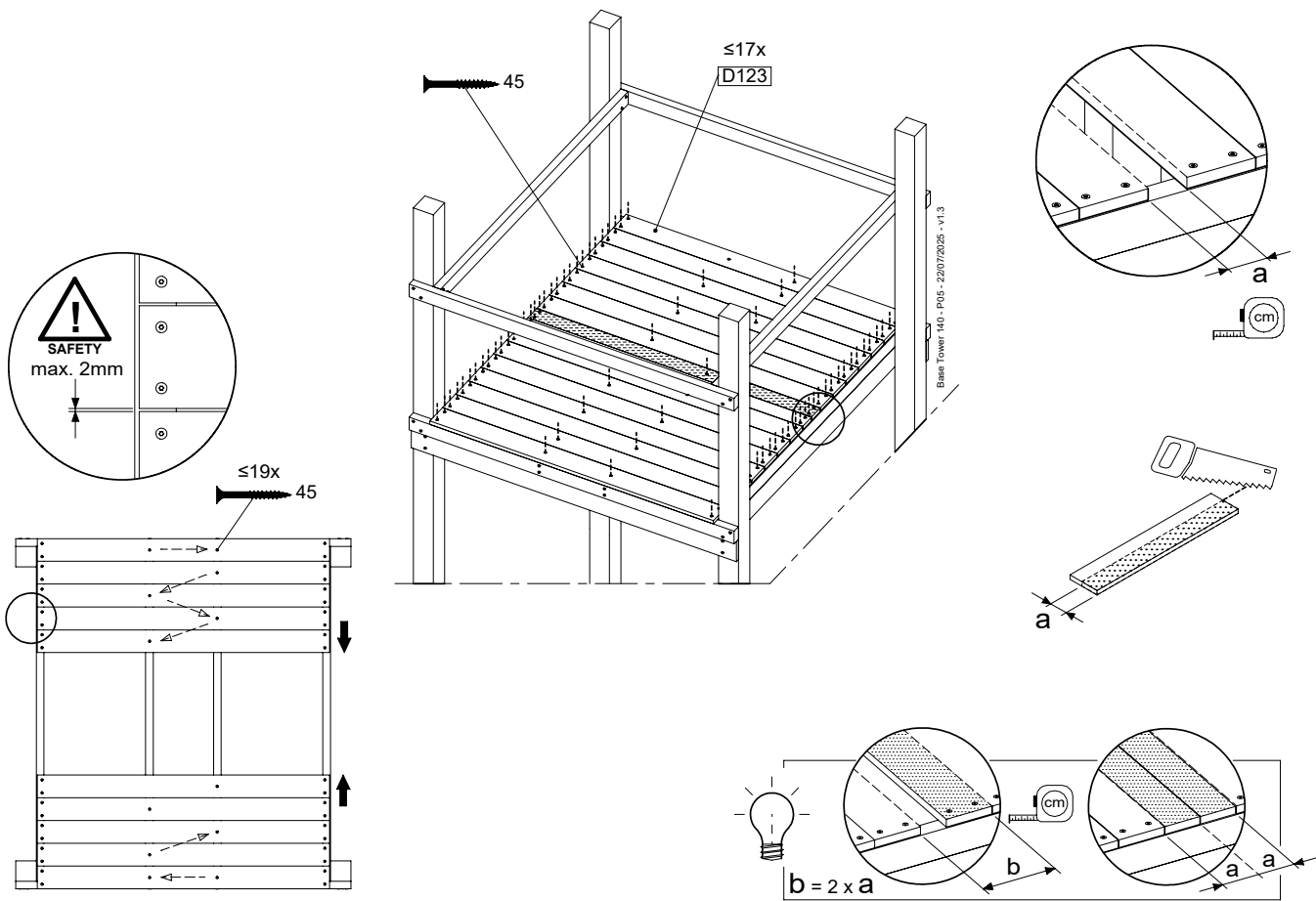
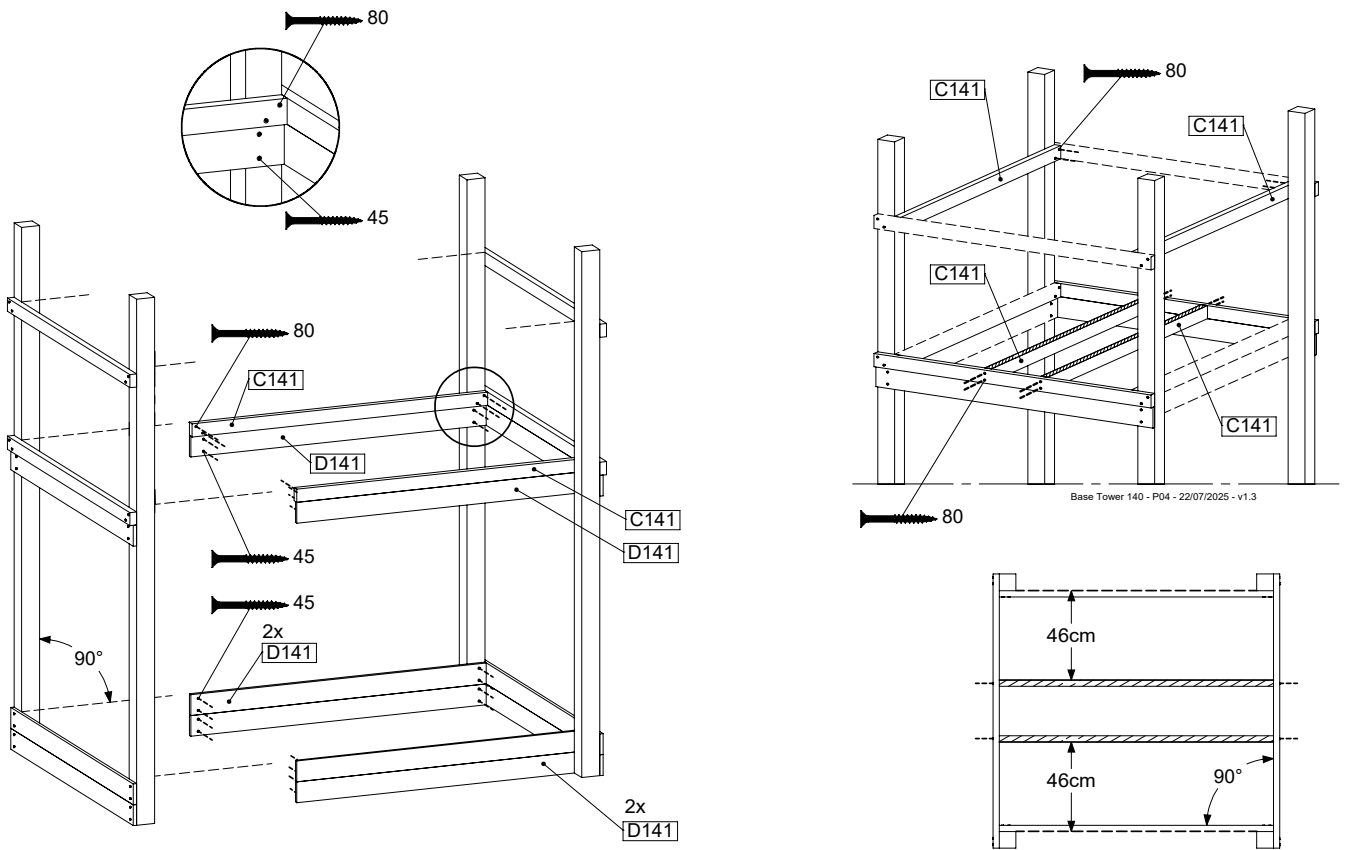
1 BT20a: Base Tower 140 145cm 270270

Assembly Pack: 194_500

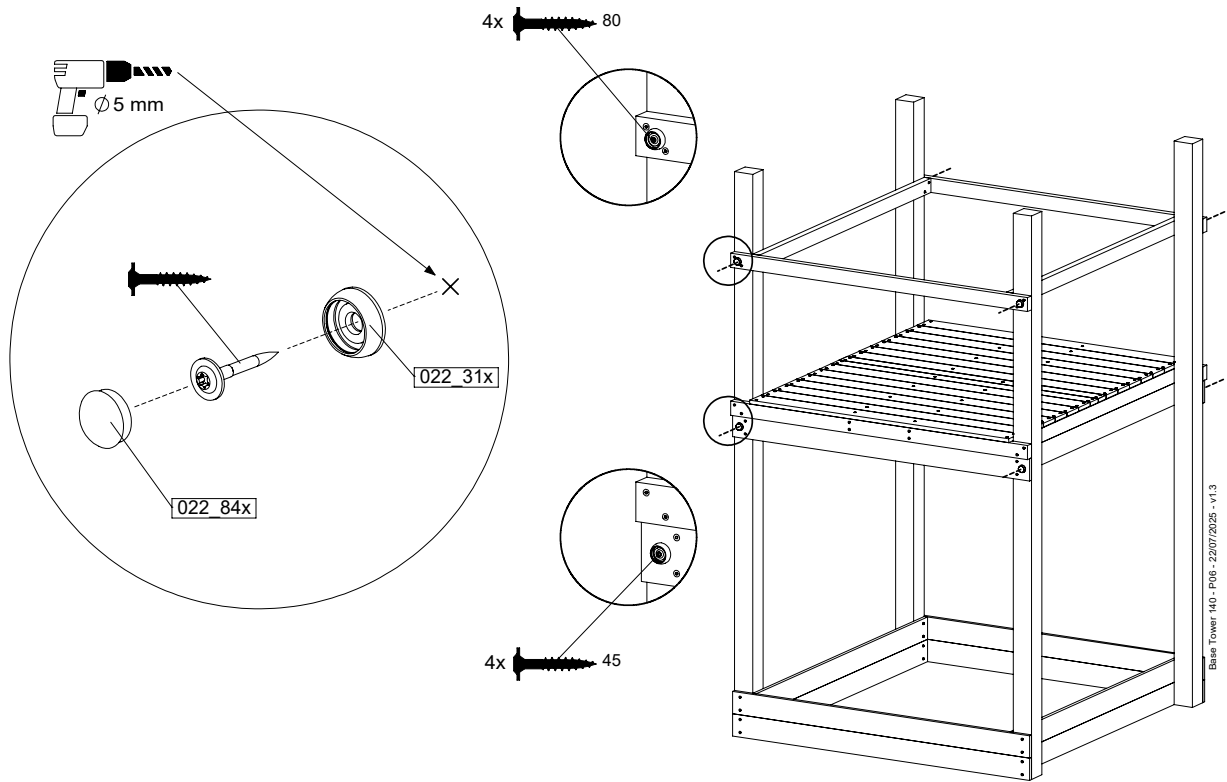
	PartNo	PartName	QTY.
Hardware + Parts	001_406	Stealth Screw 8x45	6
	001_417	Stealth Screw 8x80	4
	002_220	Gap Point Screw T25 - 5x45	135
	002_223	Gap Point Screw T25 - 5x80	40
	007_001	Ground-anchor	2
	022_31x	bpc-base version 3	8
	022_84x	bpc cover	8
Timber	B270	Post ca.90x90 L2700	4
	C141	Beam 1410 mm	10
	D123	Board 1230 mm	17
	D141	Board 1410 mm	12

Base Tower 140 - P02 BT20 - 22/07/2025 - v1.3





1.2

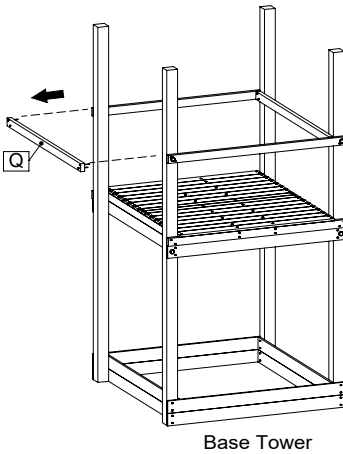
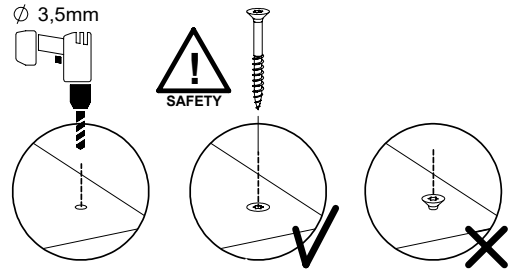
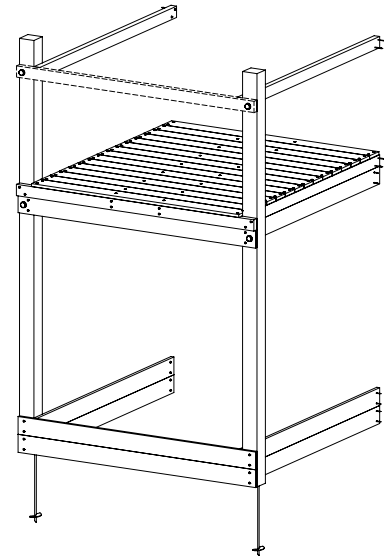


2 ET39a: Extension Tower 14080 220/145

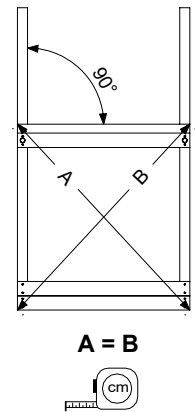
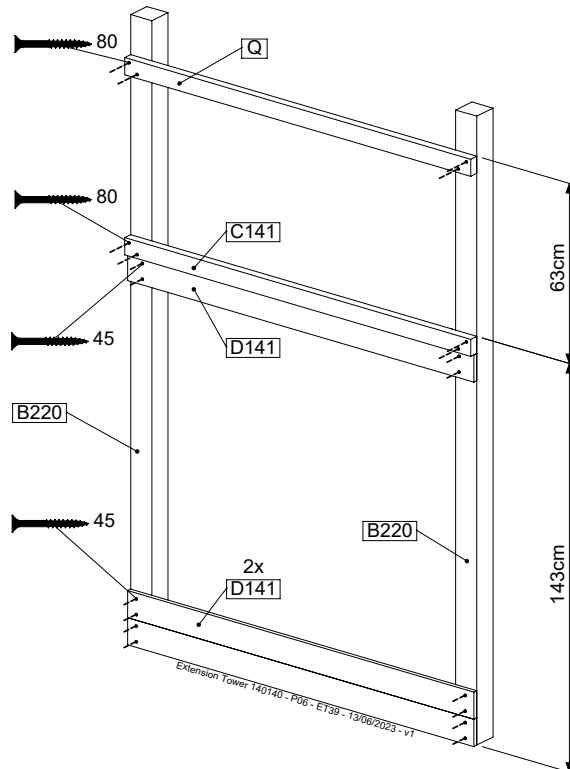
(194_500)

	PartNo	PartName	QTY.
Hardware pack	001_406	Stealth Screw 8x45	4
	001_417	Stealth Screw 8x80	2
	002_220	Gap Point Screw T25 - 5x45	123
	002_223	Gap Point Screw T25 - 5x80	28
Other	007_001	Ground-anchor	2
	022_31x	bpc-base version 3	4
	022_84x	bpc cover	4
Timber	B220	Post 90x90 L2200	2
	C141	Beam 1410 mm	7
	D123	Board 1230 mm	17
	D141	Board 1410 mm	9

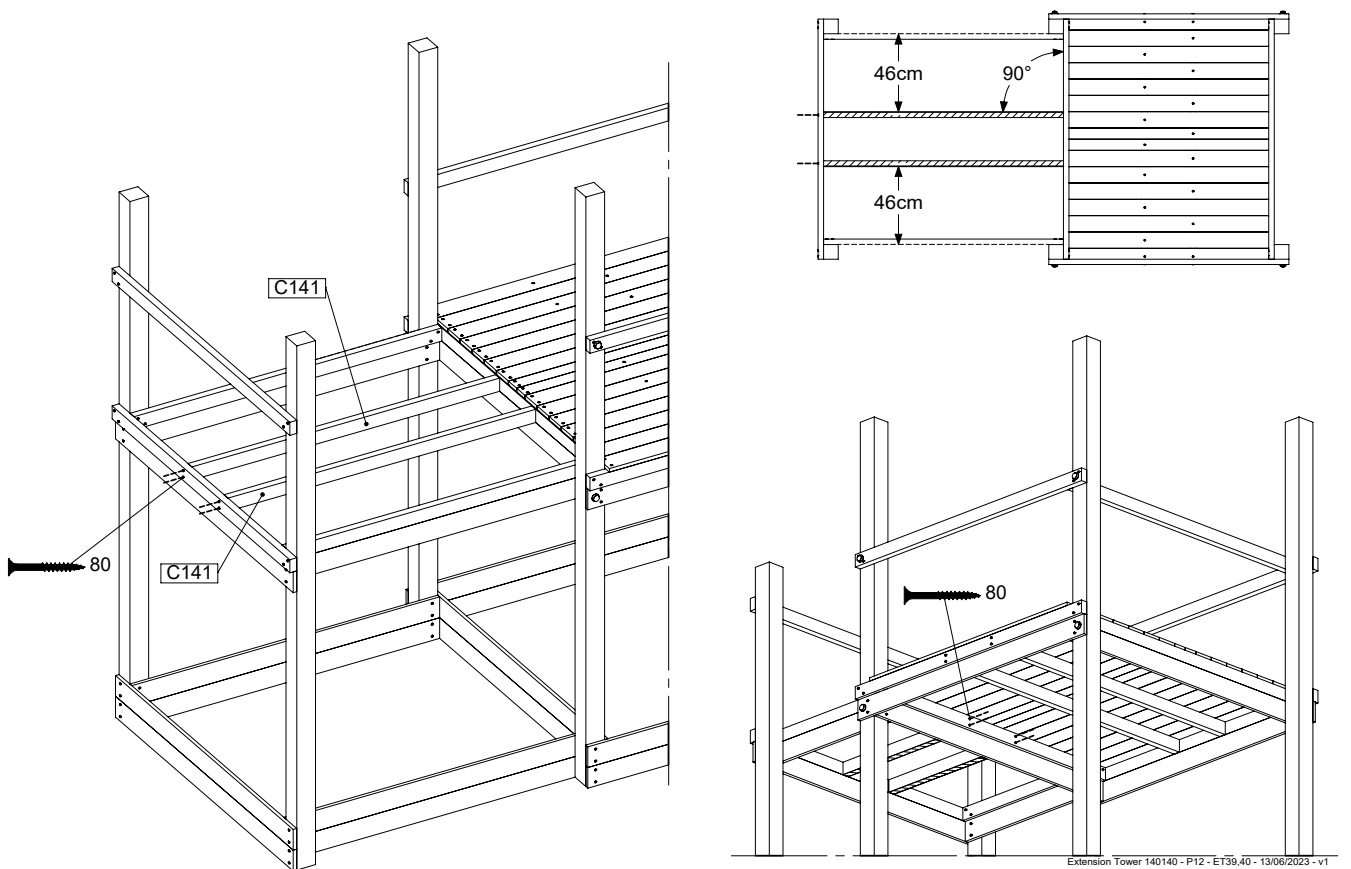
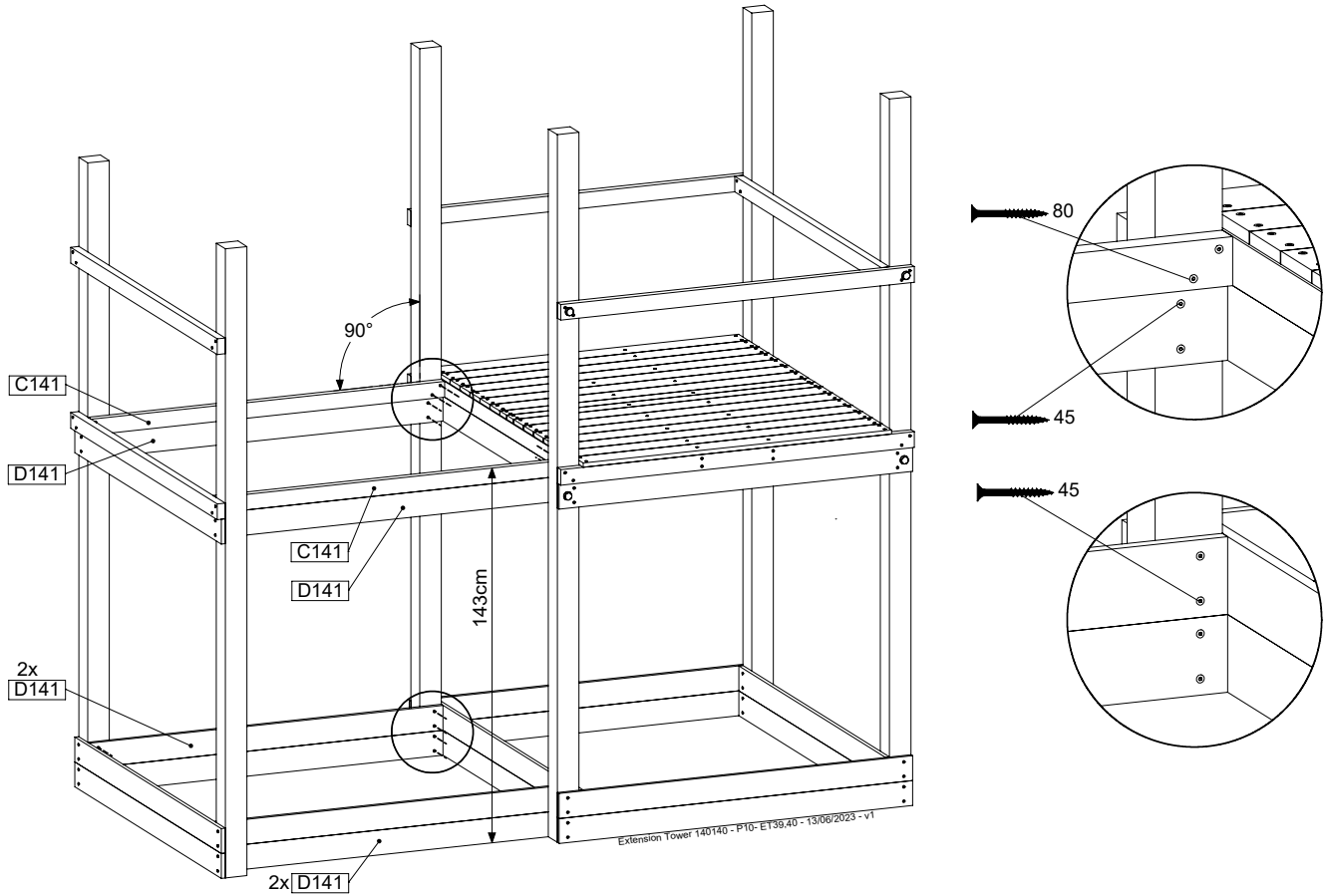
Extension Tower 140140 - P02 - ET39 - 13/06/2023 - v1

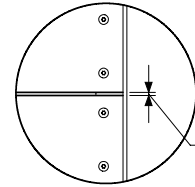
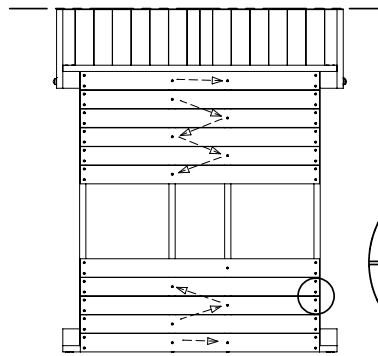
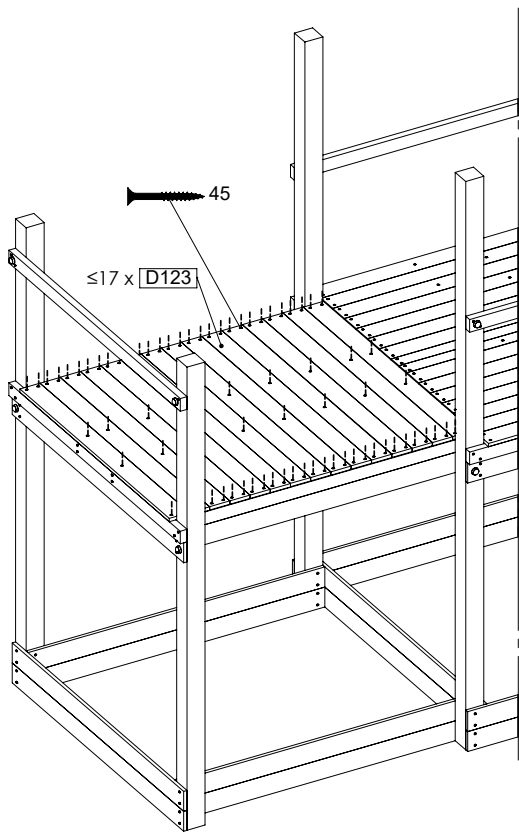


Base Tower

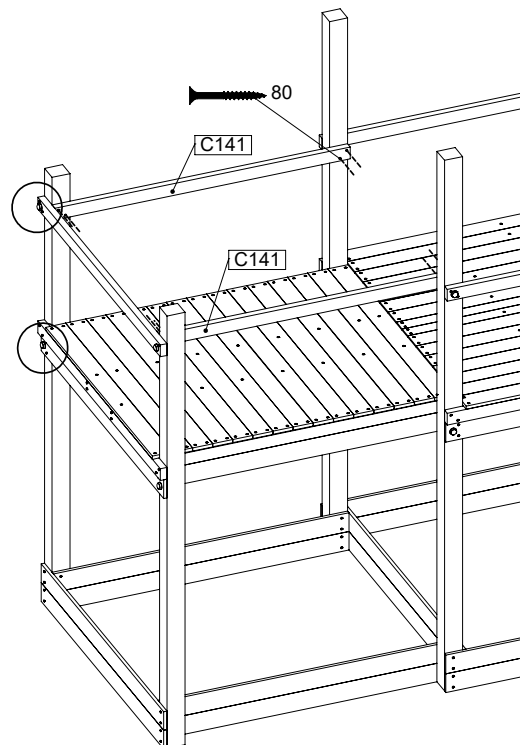
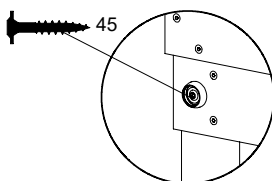
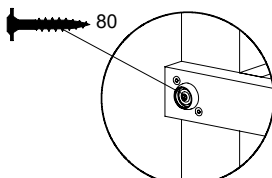
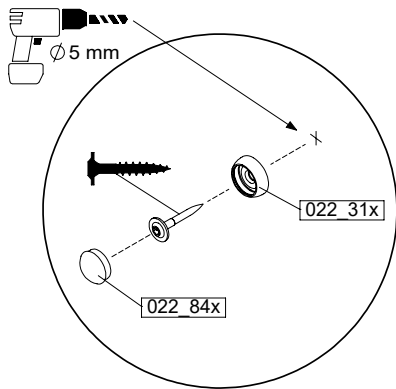
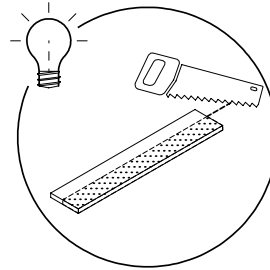


2.1





SAFETY
max. 2mm

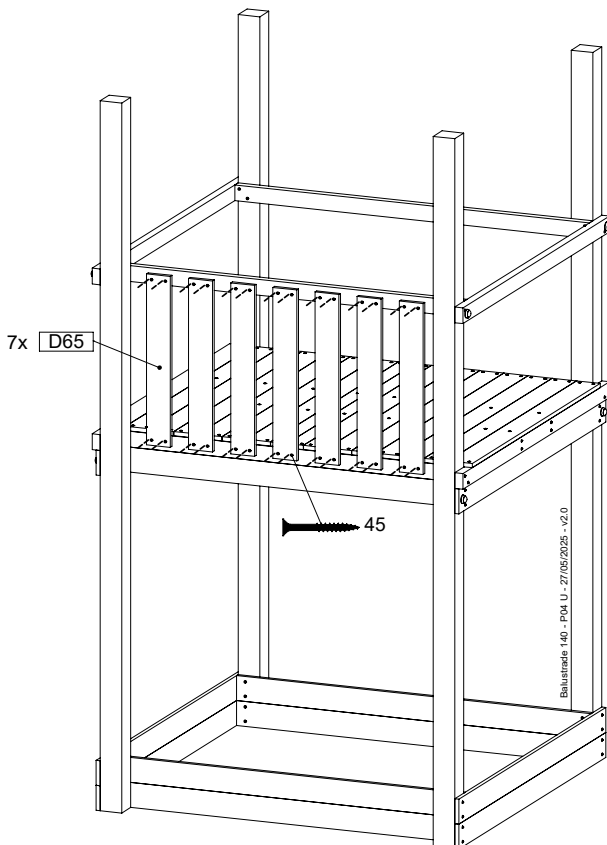
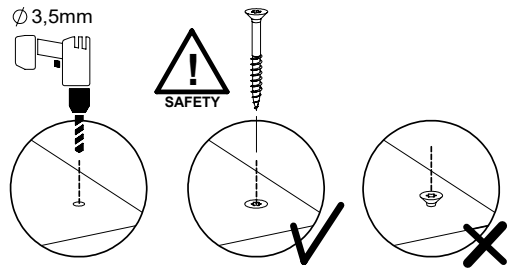
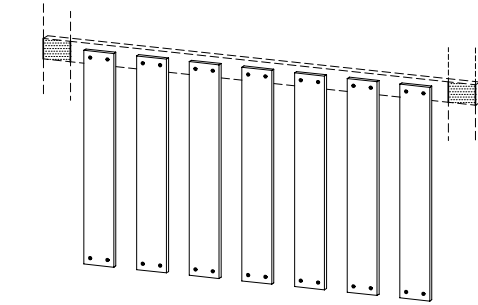


3 BL05a: Balustrade 140 U

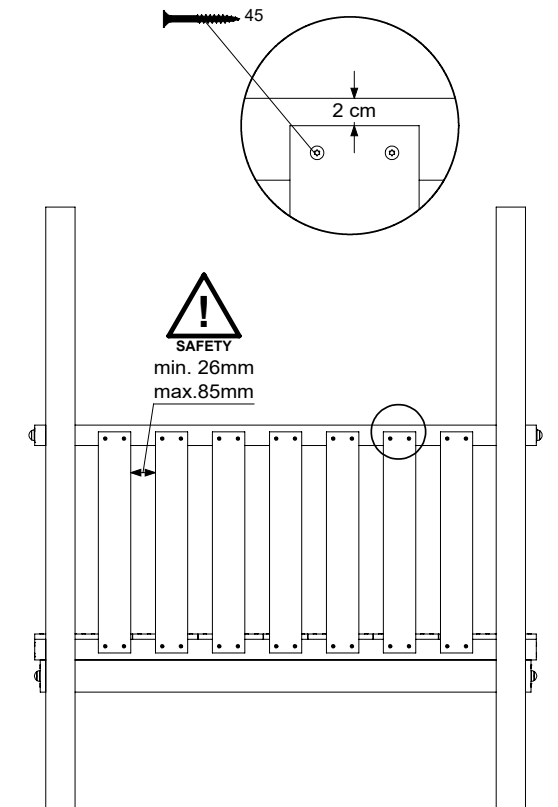
Assembly Pack: 194_501

	PartNo	PartName	QTY.
Hardware	002_220	Gap Point Screw T25 - 5x45	28
Timber	D65	Board 650 mm	7

Balustrade 140 - P102 U - 27/06/2025 - v2.0



Balustrade 140 - P04 U - 27/06/2025 - v2.0



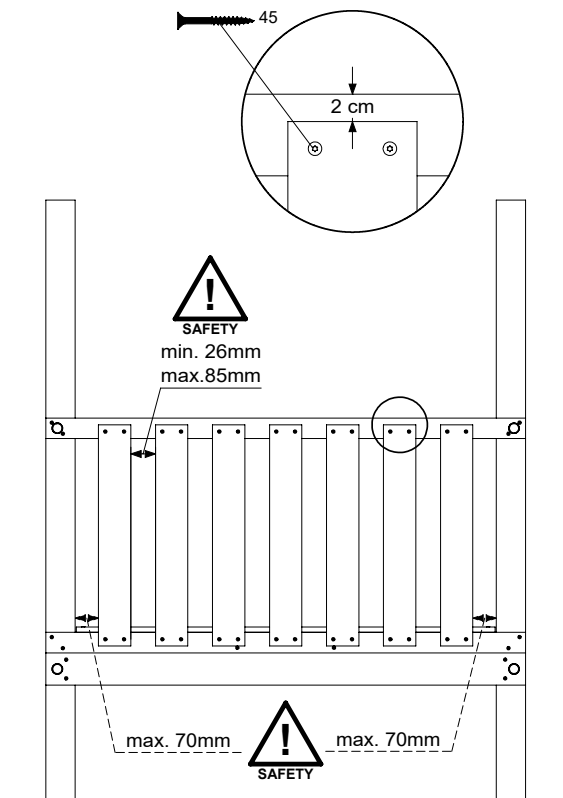
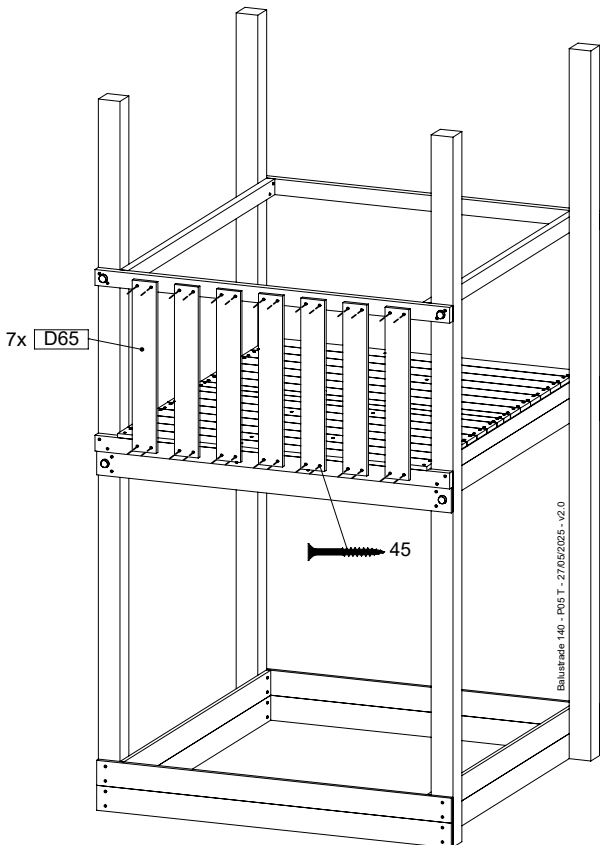
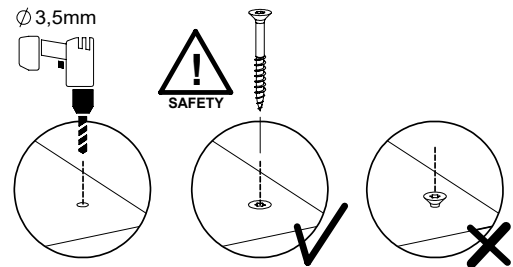
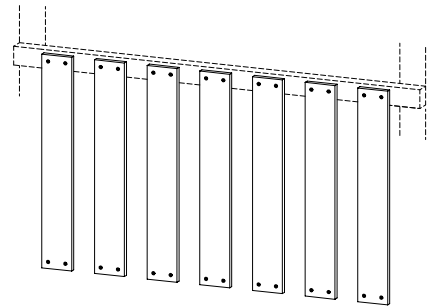
Manual ID: 048_067_2612

4 BL06a: Balustrade 140 T

Assembly Pack: 194_501

	PartNo	PartName	QTY.
Hardware	002_220	Gap Point Screw T25 - 5x45	28
Timber	D65	Board 650 mm	7

Balustrade 140 - P03 T - 27/05/2025 - v2.0



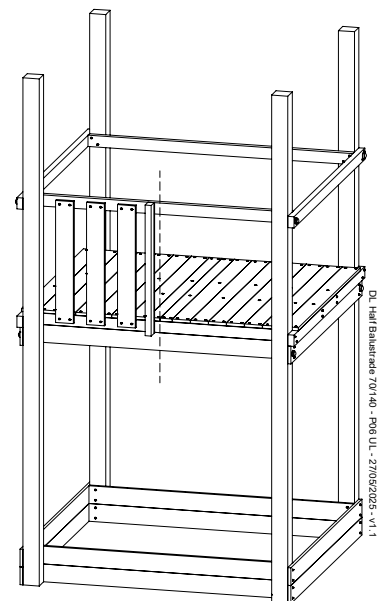
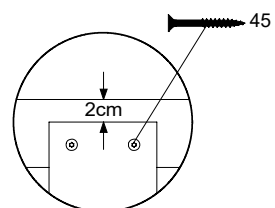
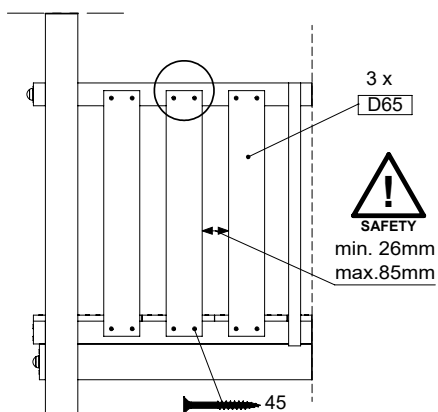
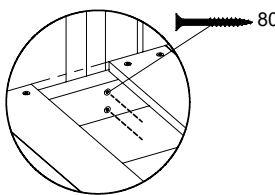
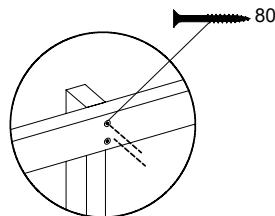
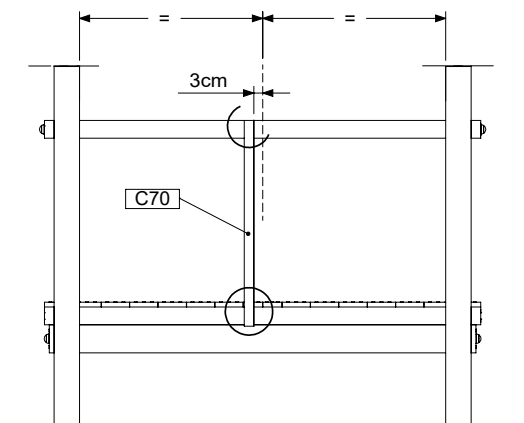
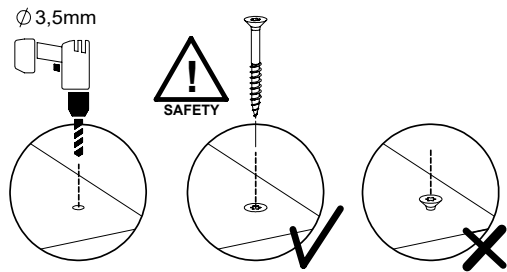
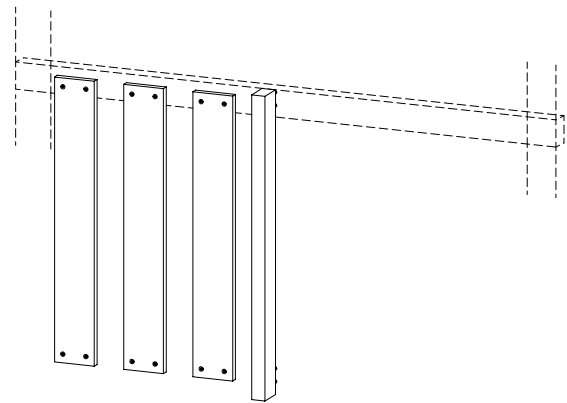
Manual ID: 048_067_2612

5 BL07a: Half Balustrade U Left

Assembly Pack: 194_101

	PartNo	PartName	QTY.
Hardware	002_220	Gap Point Screw T25 - 5x45	12
	002_223	Gap Point Screw T25 - 5x80	4
Timber	C70	Beam 700 mm	1
	D65	Board 650 mm	3

D.L. Half Balustrade 70140 - P102 UL - 27/05/2025 - v1.1



D.L. Half Balustrade 70140 - P102 UL - 27/05/2025 - v1.1

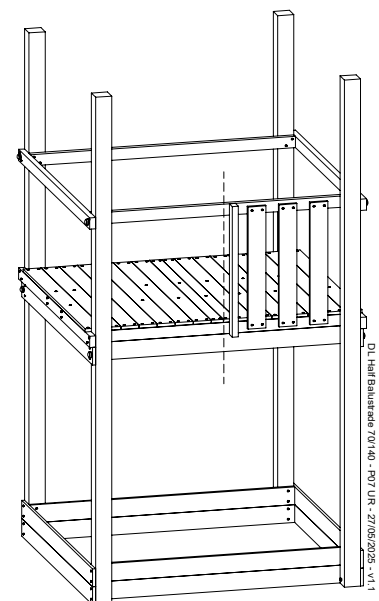
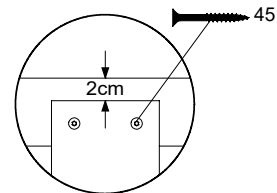
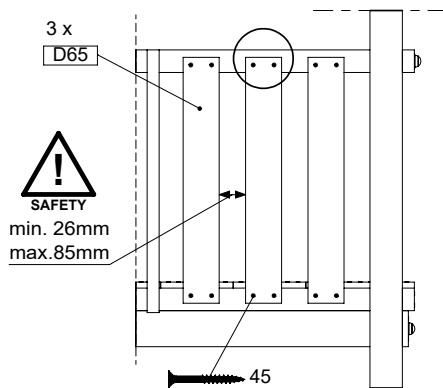
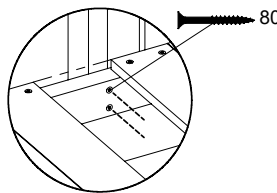
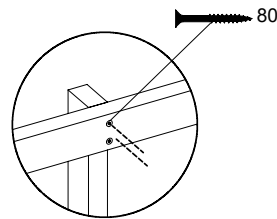
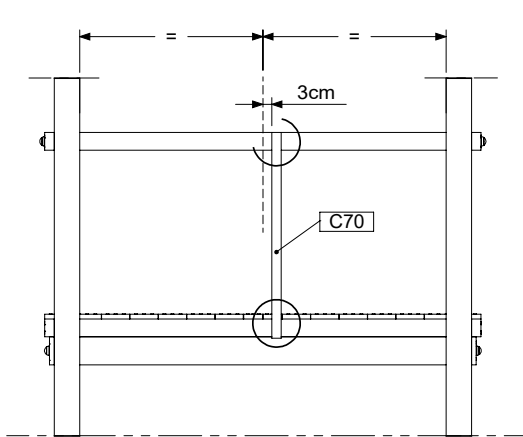
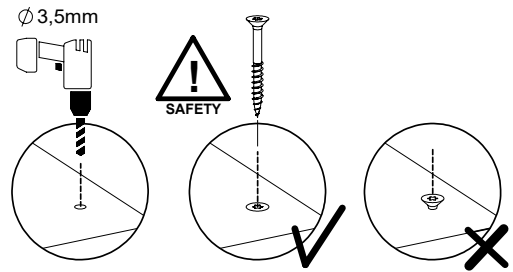
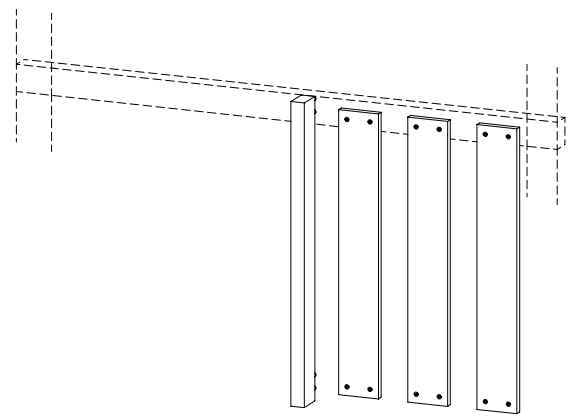
Manual ID: 048_067_2612

6 BL08a: Half Balustrade U Right

Assembly Pack: 194_101

	PartNo	PartName	QTY.
Hardware	002_220	Gap Point Screw T25 - 5x45	12
	002_223	Gap Point Screw T25 - 5x80	4
Timber	C70	Beam 700 mm	1
	D65	Board 650 mm	3

D.L. Half Balustrade 70140 - P03 UR - 27/05/2025 - v1.1



D.L. Half Balustrade 70140 - P03 UR - 27/05/2025 - v1.1

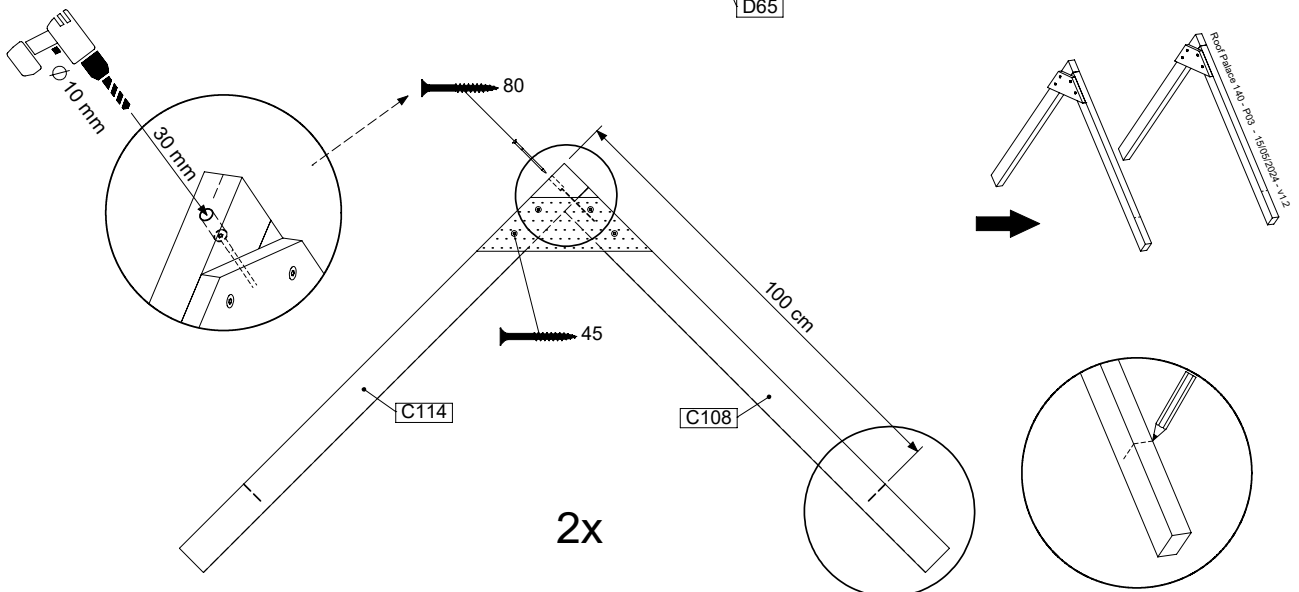
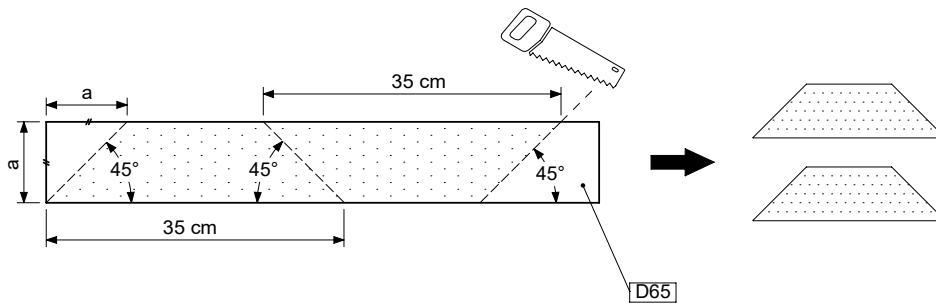
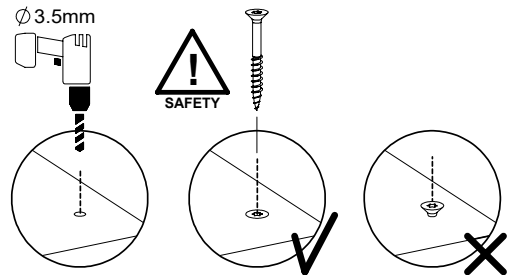
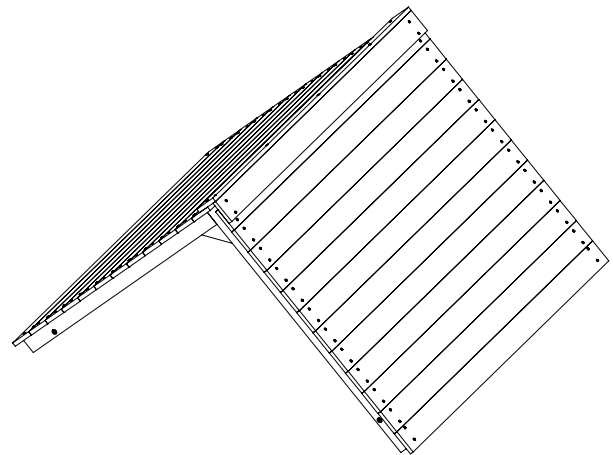
Manual ID: 048_067_2612

7 RF14b: Roof Timber Gable 140 - 2.0

Assembly Pack: 194_508 / 194_804

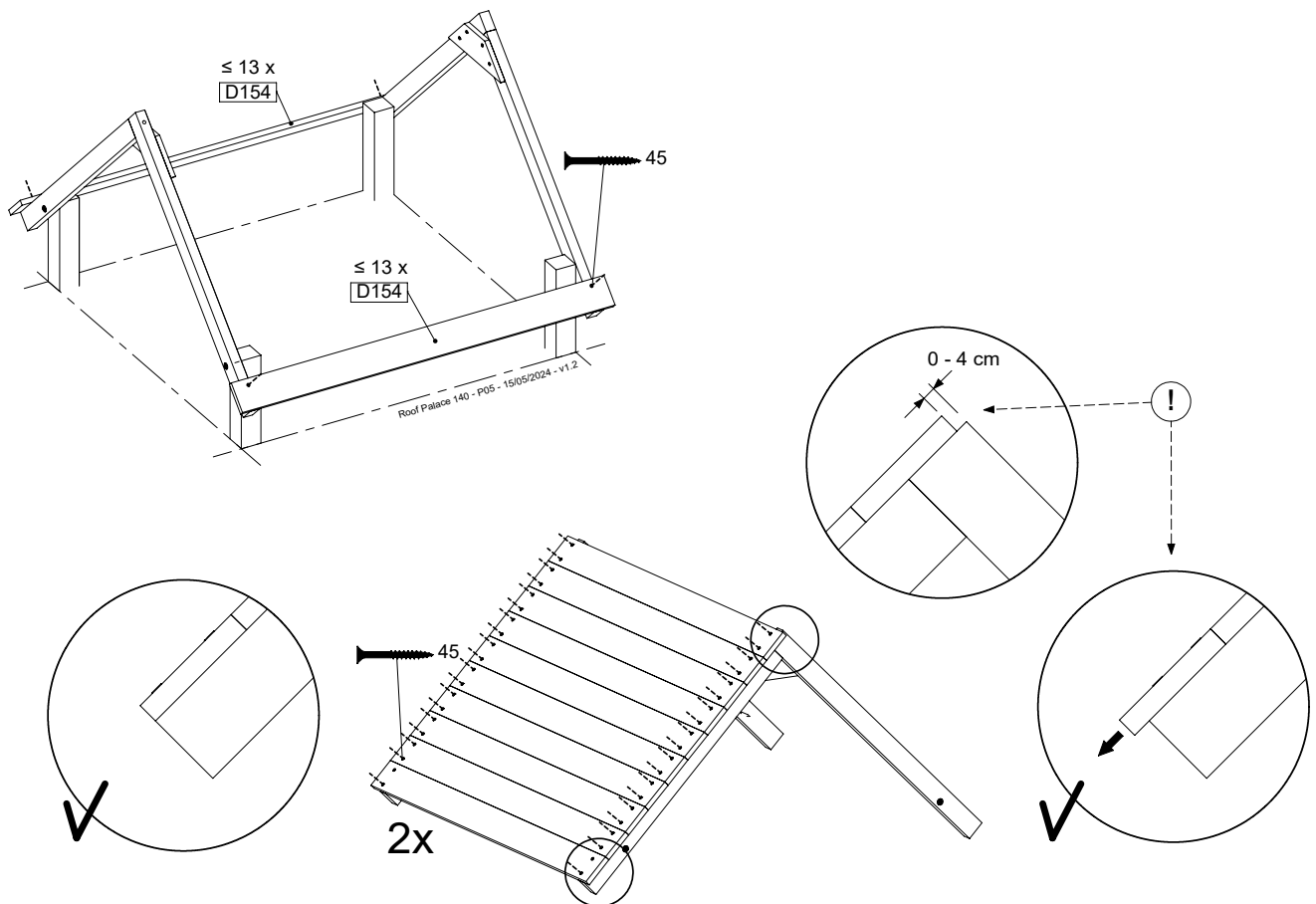
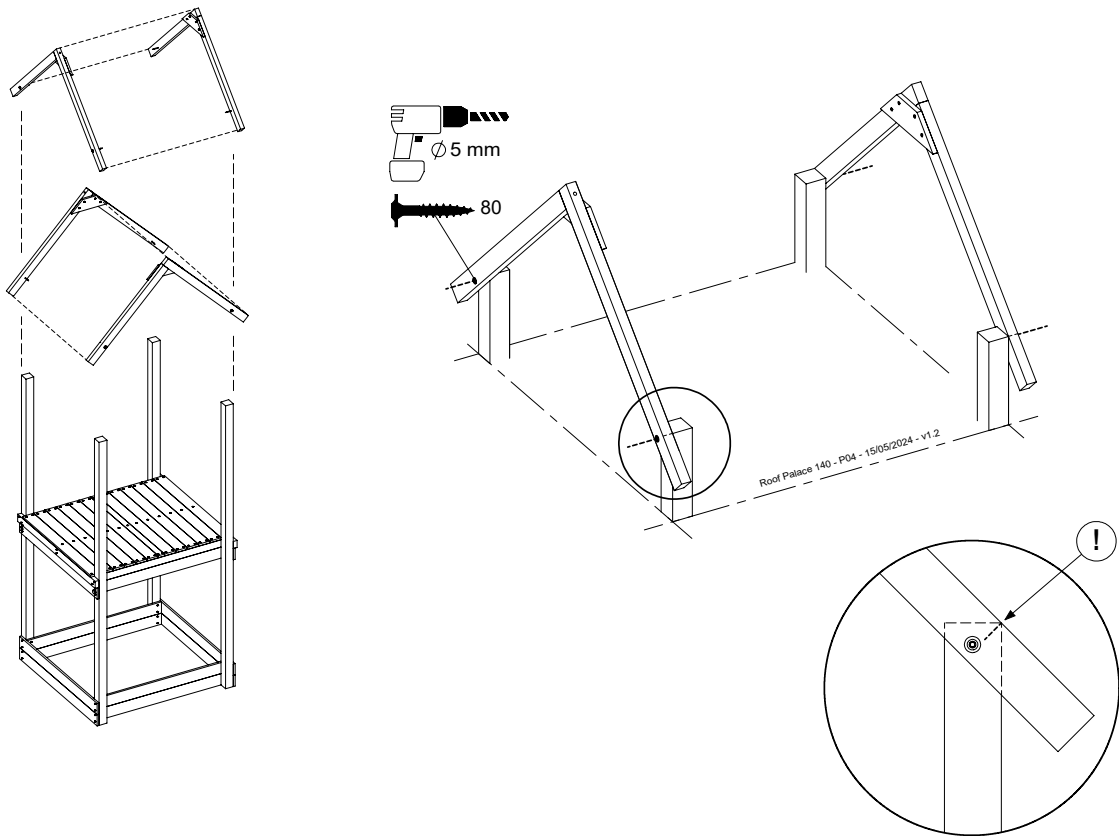
	PartNo	PartName	QTY.
Hardware + Parts	001_417	Stealth Screw 8x80	4
	002_220	Gap Point Screw T25 - 5x45	120
	002_223	Gap Point Screw T25 - 5x80	4
Timber	C108	Beam 1080 mm	2
	C114	Beam 1140 mm	2
	D65	Board 650 mm	1
	D154	Board 1540 mm	28

Roof Palace 140 - P02 - 15092024 - V12

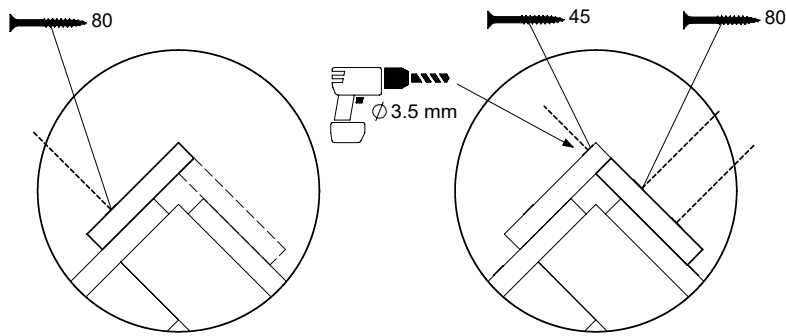
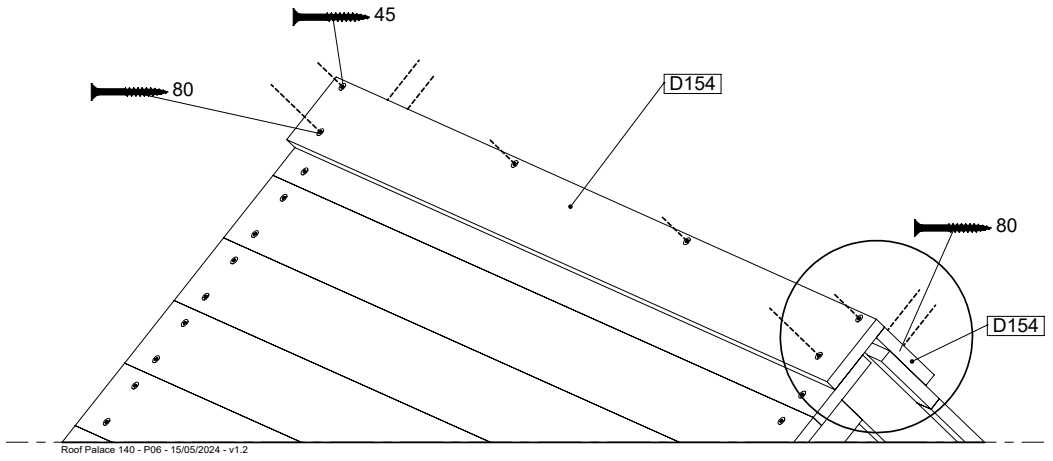


Manual ID: 048_067_2612

7.1



7.2

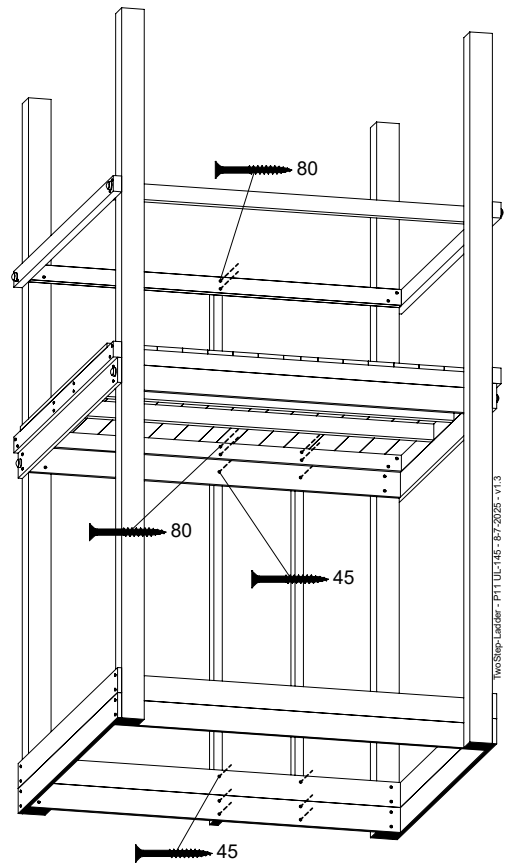
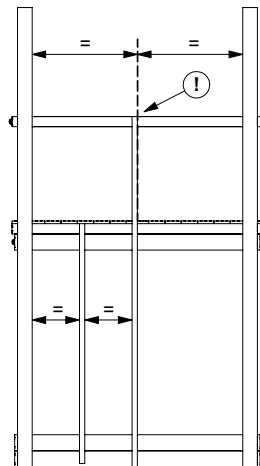
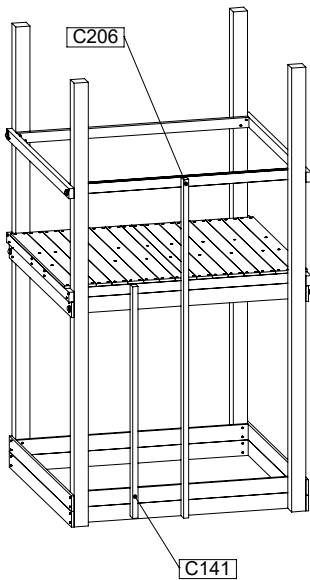
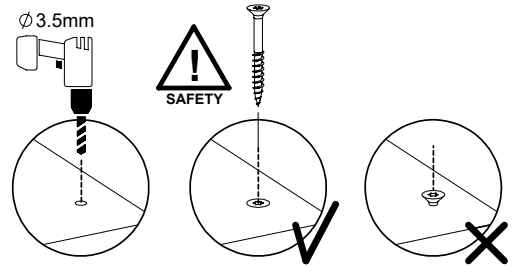
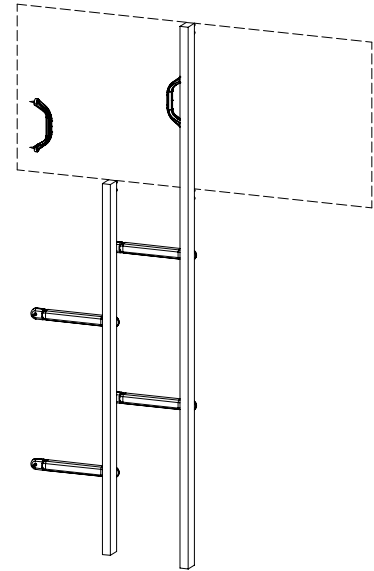


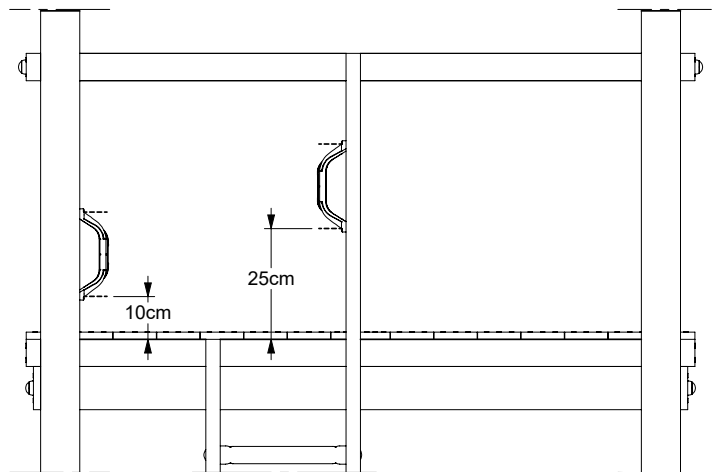
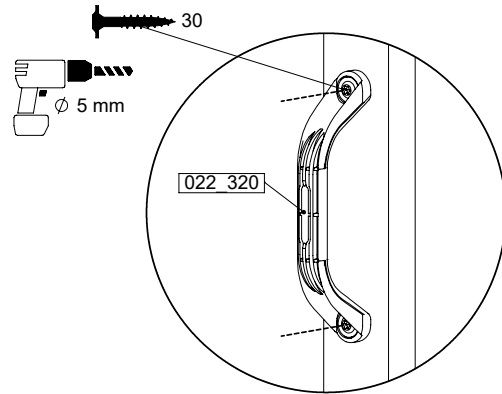
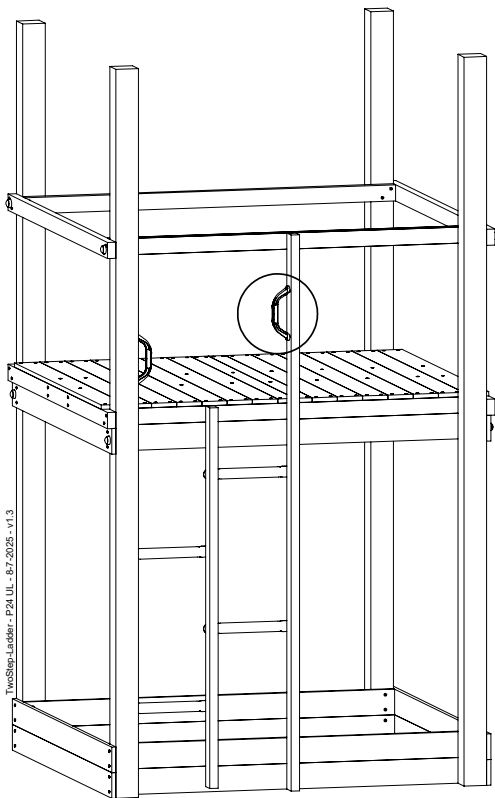
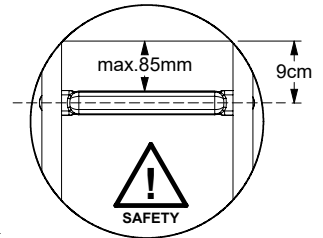
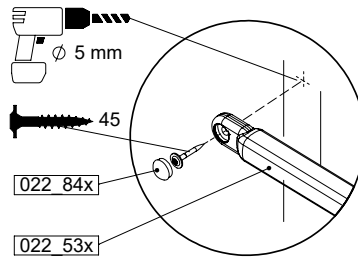
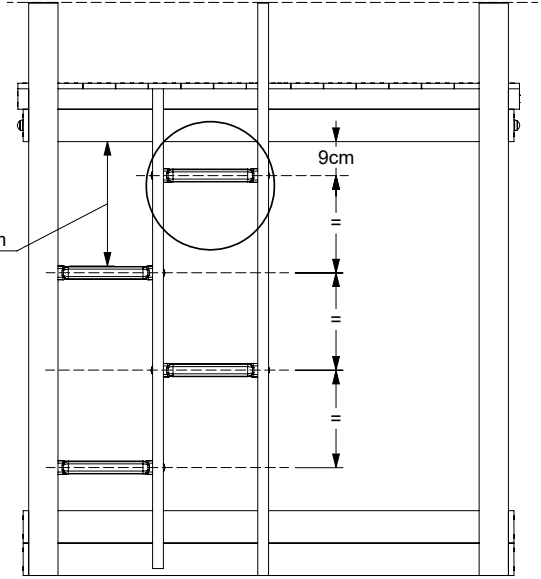
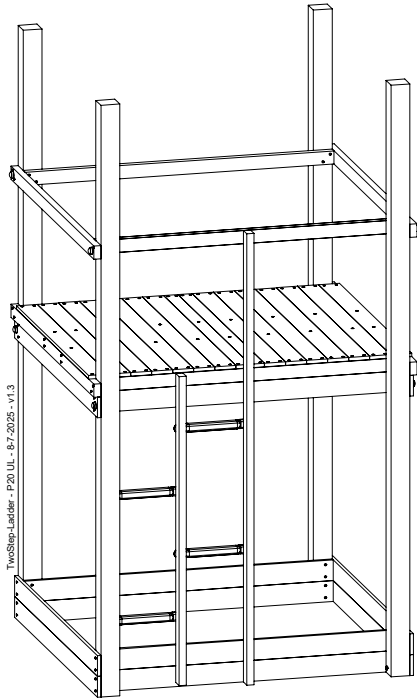
8 TS17a: TwoStep 140 145 U Left

Assembly Pack: 194_002

	PartNo	PartName	QTY.
Hardware + Parts	001_406	Stealth Screw 8x45	8
	002_220	Gap Point Screw T25 - 5x45	8
	002_223	Gap Point Screw T25 - 5x80	6
	022_53x	Ladder/ Rope Rung 30cm	4
	022_84x	bpc cover	8
	120_102	Handgrip set (complete 2x)	1
Timber	C141	Beam 1410 mm	1
	C206	Beam 2060 mm	1

TwoStep-Ladder - P11 UL145 - 87-2025 - v1.3



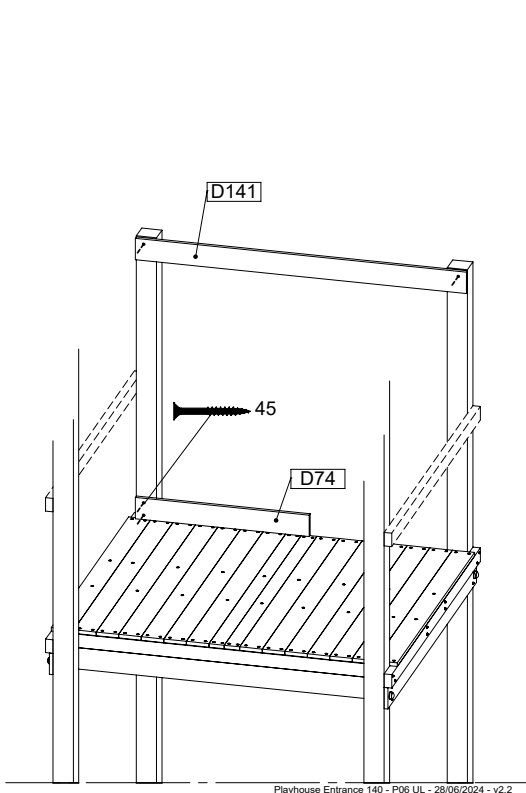
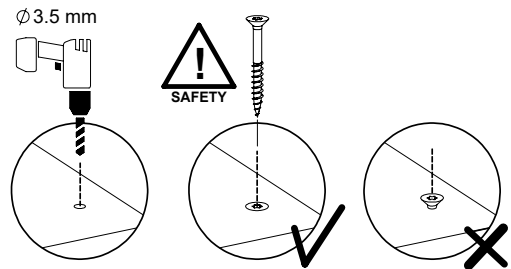
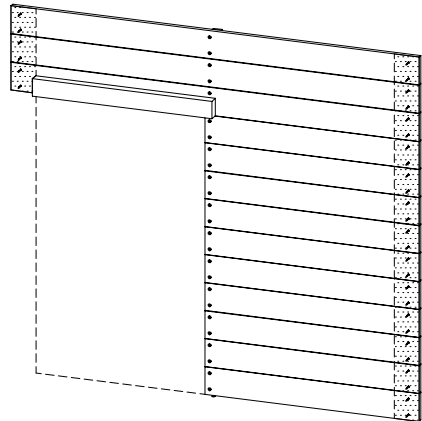


9 PH22a: Playhouse Entrance Panel 140 UL

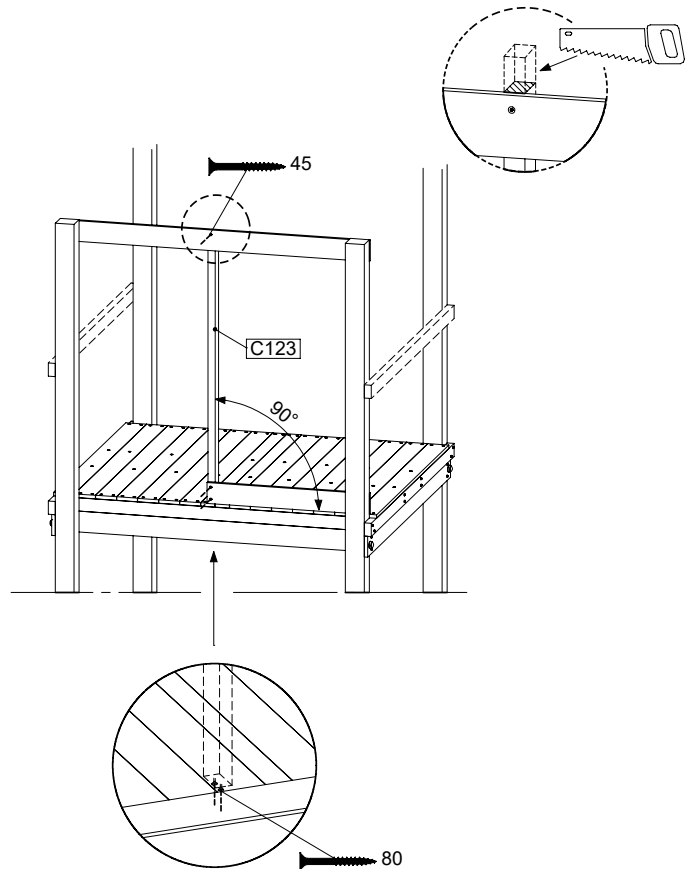
Assembly Pack: 194_809

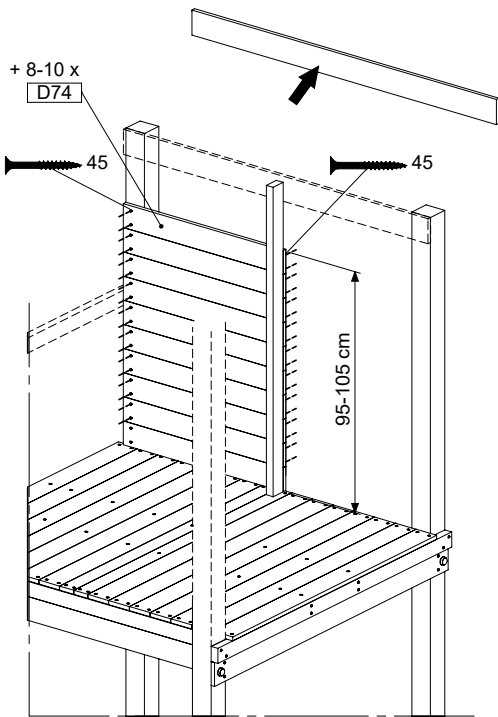
	PartNo	PartName	QTY.
Hardware + Parts	002_220	Gap Point Screw T25 - 5x45	66
	002_223	Gap Point Screw T25 - 5x80	2
Timber	C62	Beam 620 mm	1
	C123	Beam 1230 mm	1
	D74	Board 740 mm	11
	D141	Board 1410 mm	3

Playhouse Entrance 140 - P02 UL - 28/06/2024 - v2.2

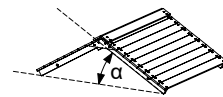
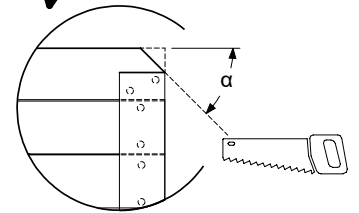
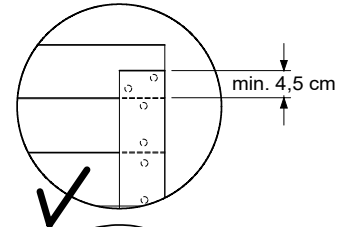
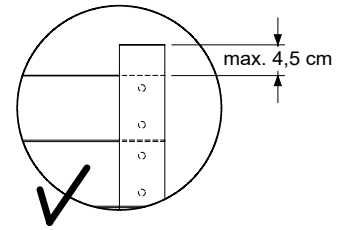
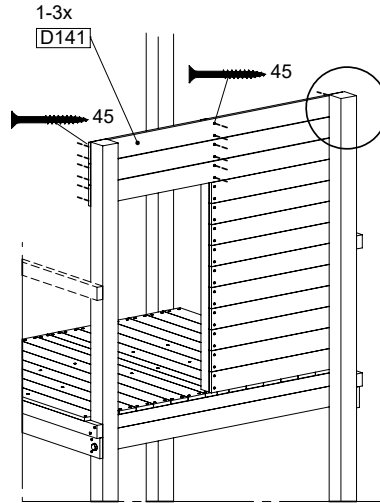


Playhouse Entrance 140 - P06 UL - 28/06/2024 - v2.2

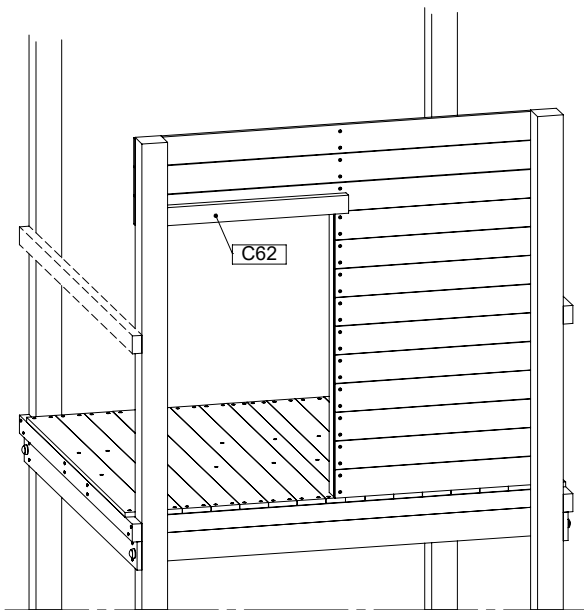




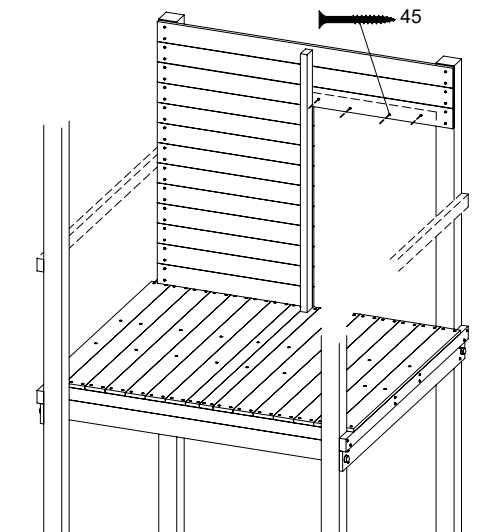
Playhouse Entrance 140 - P10 UL - 28/06/2024 - v2.2



$\alpha=30^\circ / \alpha=45^\circ$



Playhouse Entrance 140 - P14 UL - 28/06/2024 - v2.2

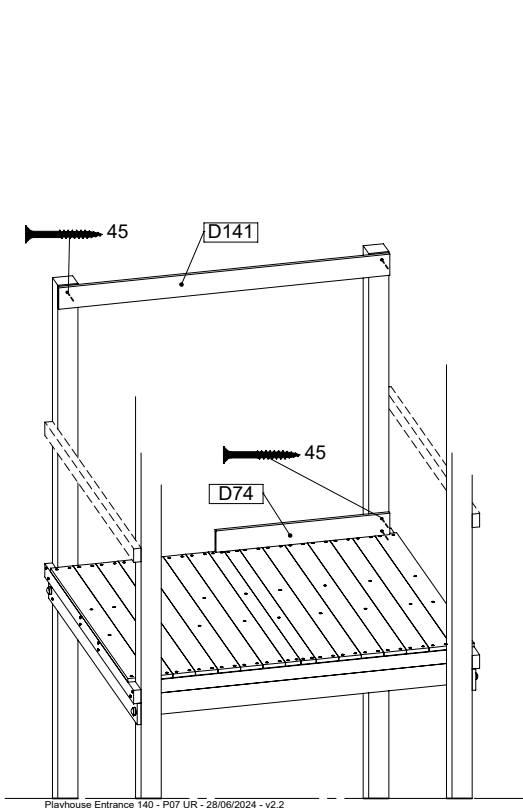
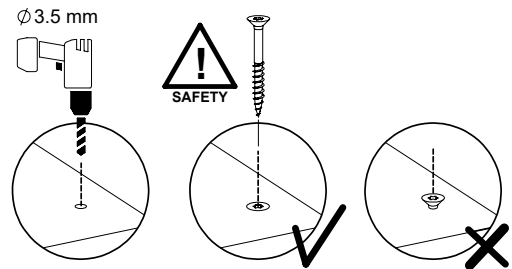
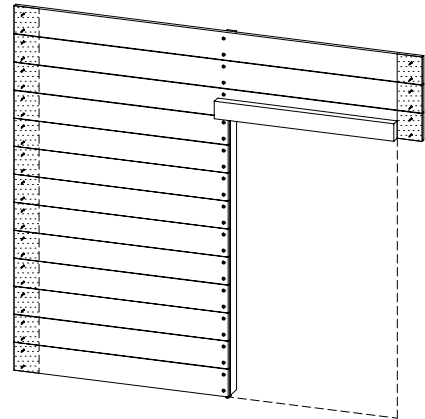


10 PH23a: Playhouse Entrance Panel 140 UR

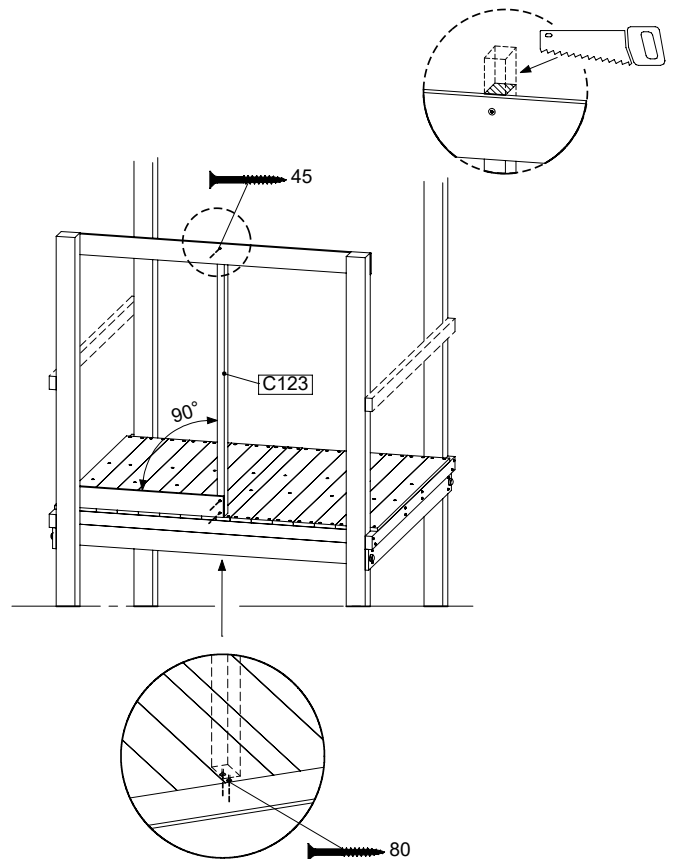
Assembly Pack: 194_809

	PartNo	PartName	QTY.
Hardware + Parts	002_220	Gap Point Screw T25 - 5x45	66
	002_223	Gap Point Screw T25 - 5x80	2
Timber	C62	Beam 620 mm	1
	C123	Beam 1230 mm	1
	D74	Board 740 mm	11
	D141	Board 1410 mm	3

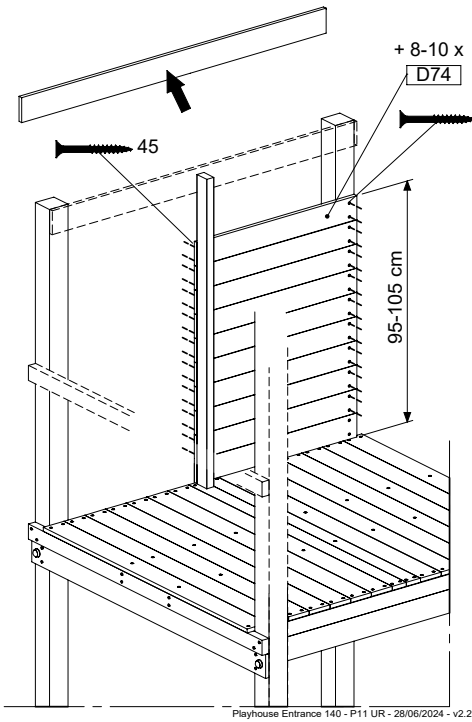
Playhouse Entrance 140 - P03 UR - 28/06/2024 - v2.2



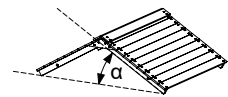
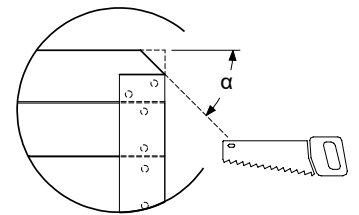
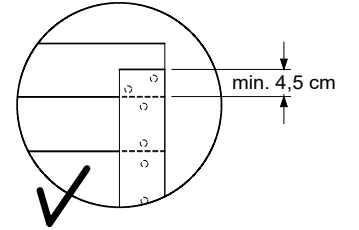
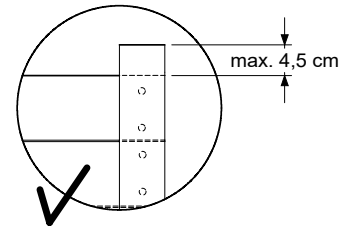
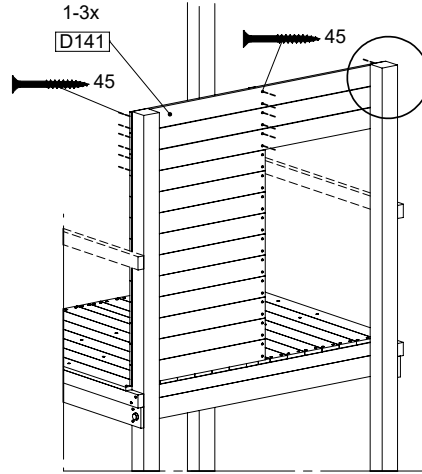
Playhouse Entrance 140 - P07 UR - 28/06/2024 - v2.2



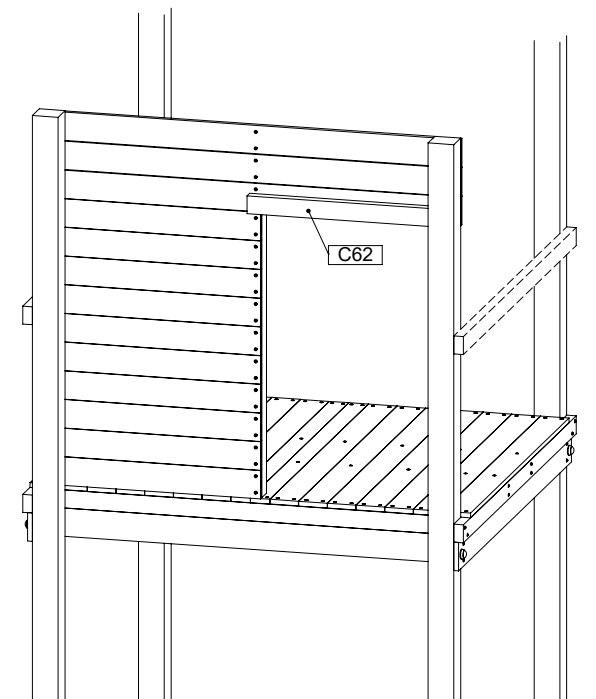
Manual ID: 048_067_2612



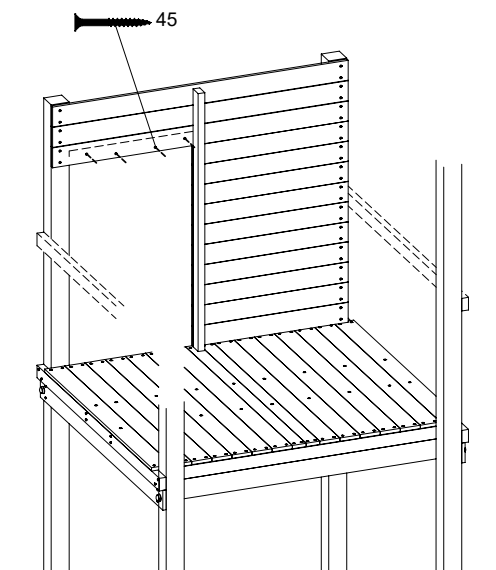
Playhouse Entrance 140 - P11 UR - 28/06/2024 - v2.2



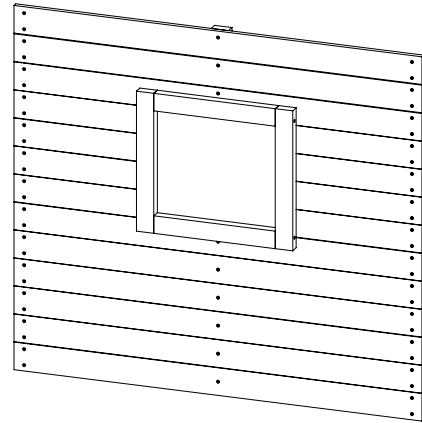
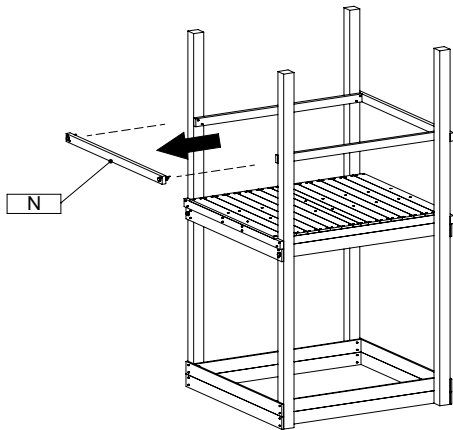
$\alpha=30^\circ / \alpha=45^\circ$



Playhouse Entrance 140 - P15 UR - 28/08/2024 - v2.2



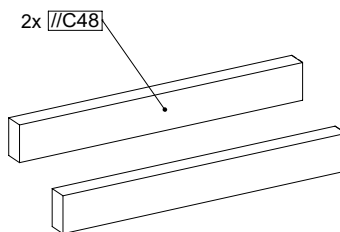
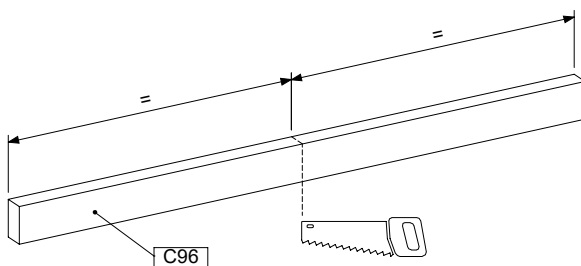
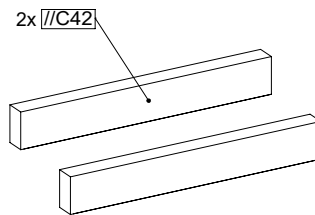
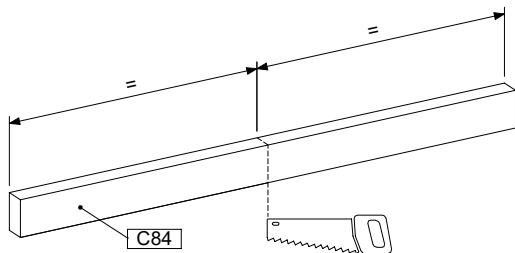
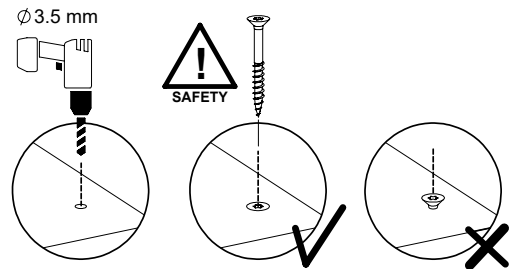
11 PH27c: Playhouse Window Panel 140 T 3.0

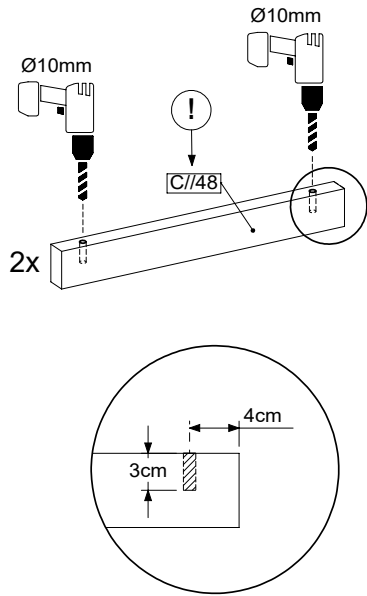


Assembly Pack: 194_118 (PH27a) /194_508 (PH27b) /194_804 (PH27c)

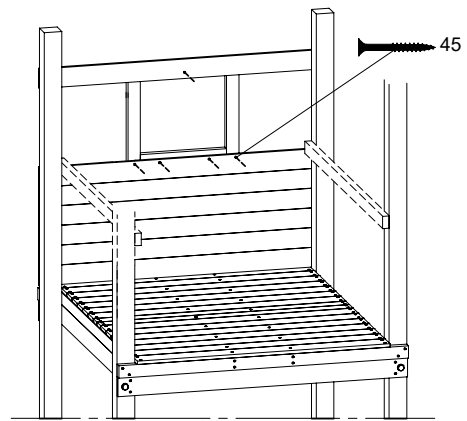
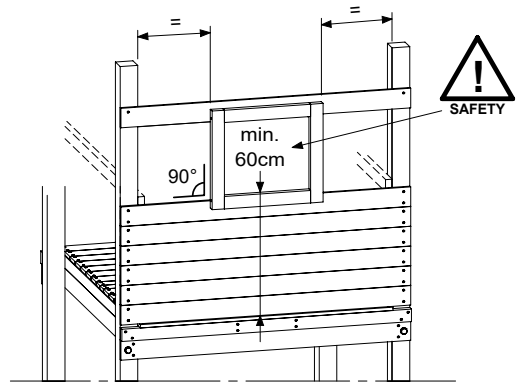
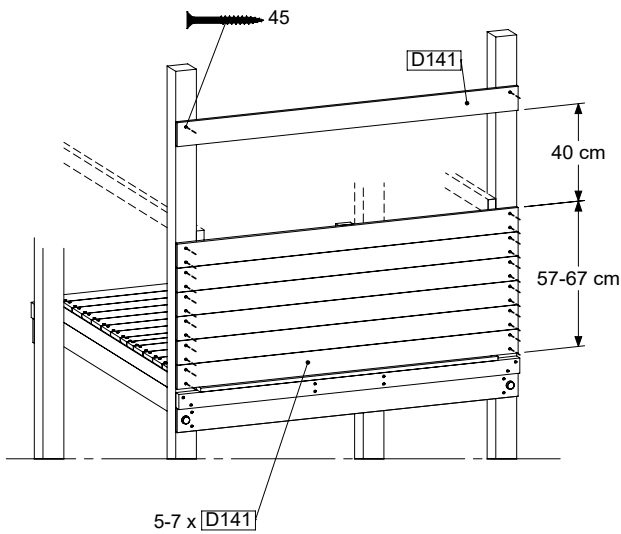
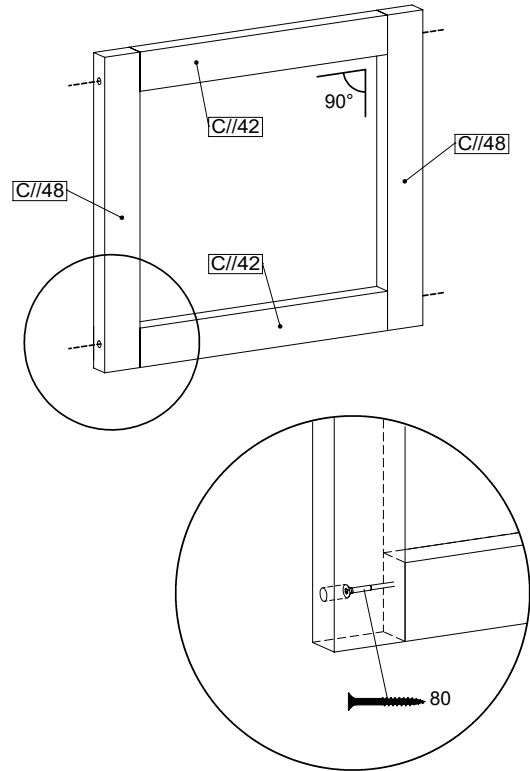
	PartNo	PartName	QTY.
Hardware + Parts	002_220	Gap Point Screw T25 - 5x45	90
	002_223	Gap Point Screw T25 - 5x80	4
Timber	C84	Beam 840 mm	1
	C96	Beam 960 mm	1
	D47	Board 470 mm	8
	D141	Board 1410 mm	10

Playhouse Window 140 - P03 T - 06/06/2025 - v2.2

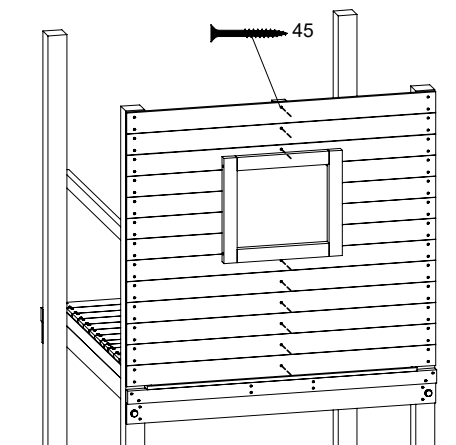
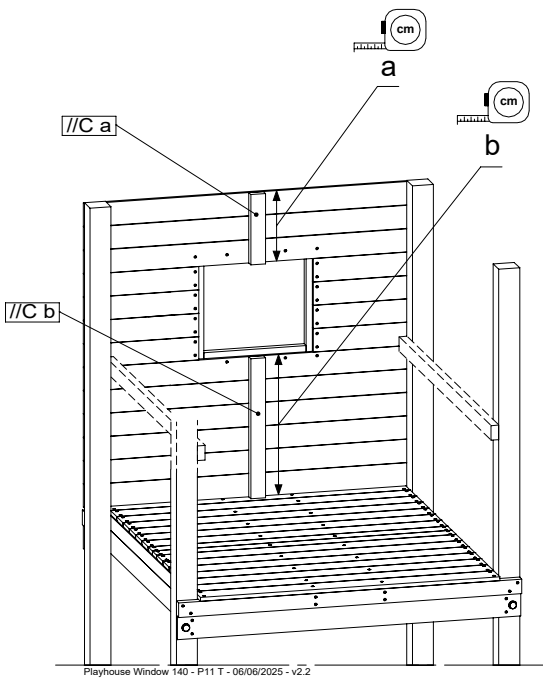
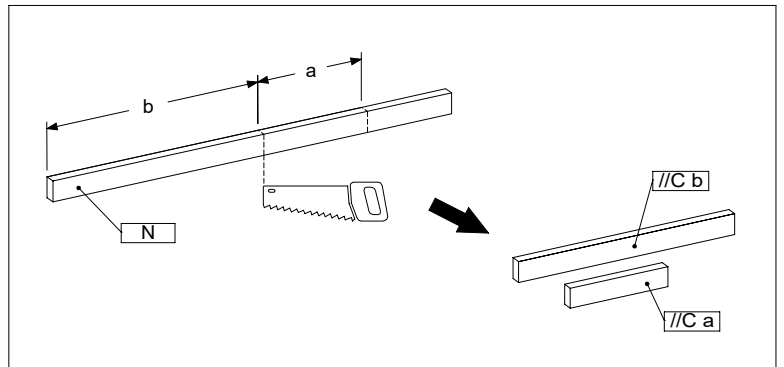
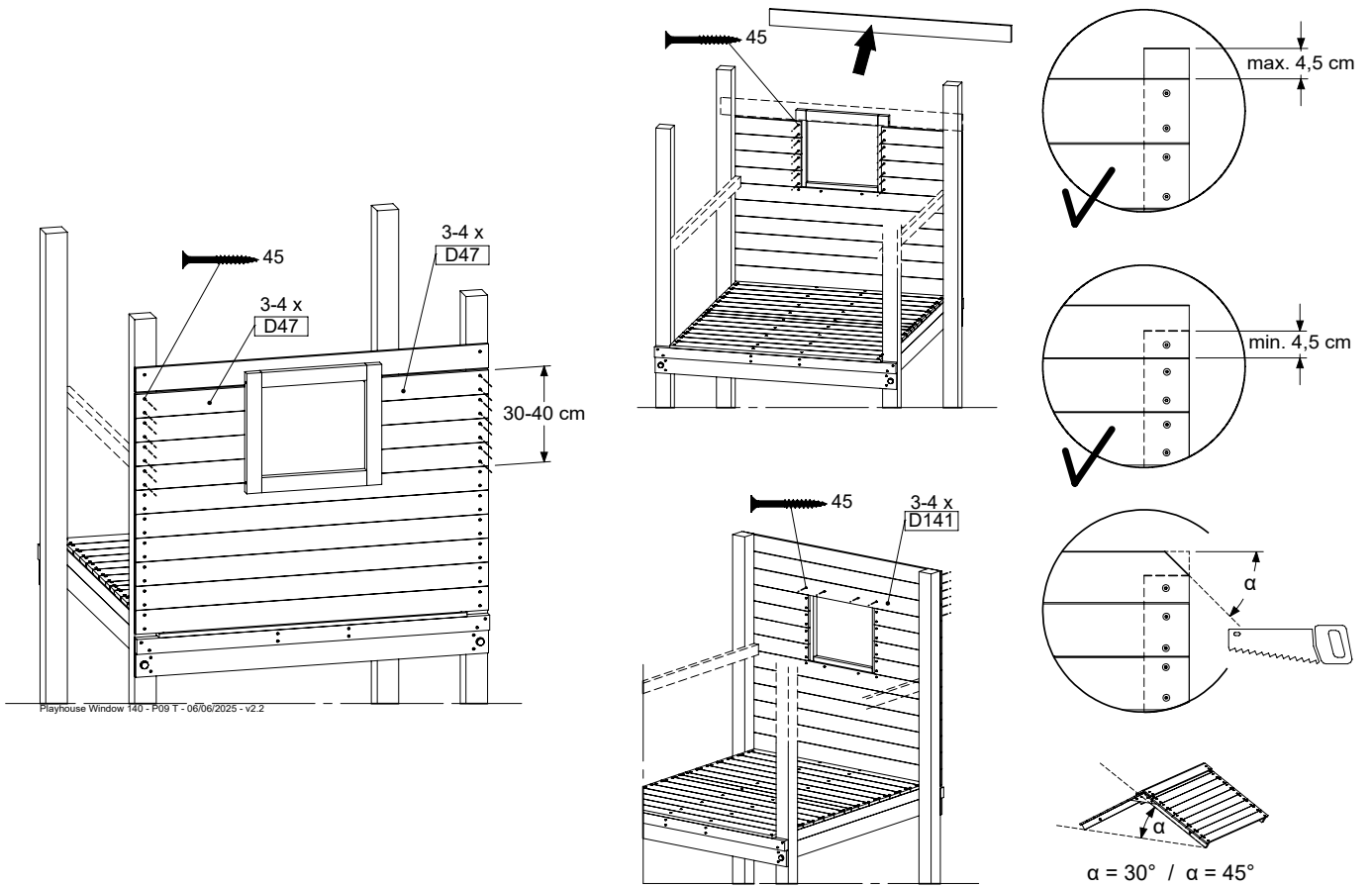




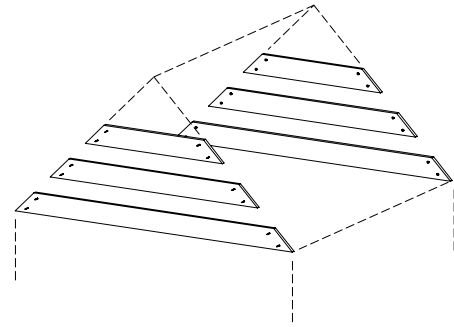
Playhouse Window 140 - P05 uni. - 06/06/2025 - v2.2



Playhouse Window 140 - P07 T - 06/06/2025 - v2.2



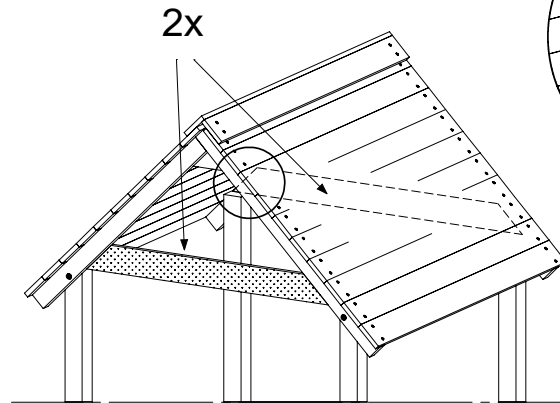
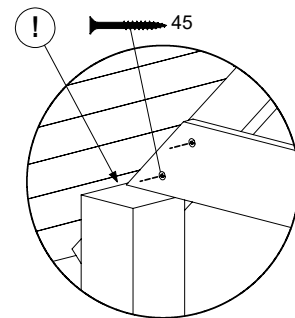
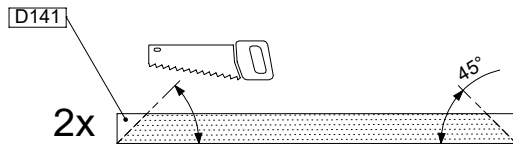
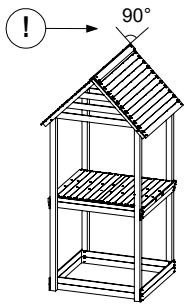
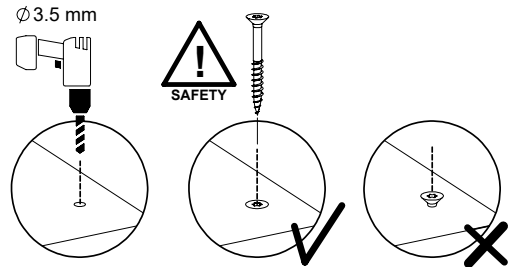
12 PH32a: Playhouse Roof Panels 140 90deg



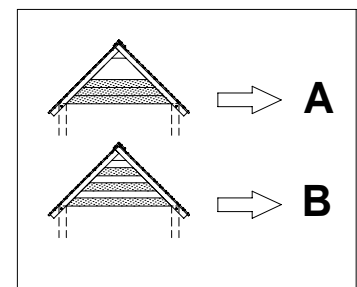
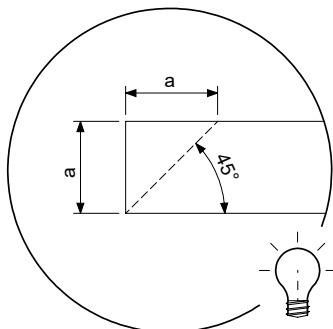
Assembly Pack: 194_501

	PartNo	PartName	QTY.
Hardware	002_220	Gap Point Screw T25 - 5x45	24
Timber	D100	Board 1000 mm	2
	D123	Board 1230 mm	2
	D141	Board 1410 mm	2

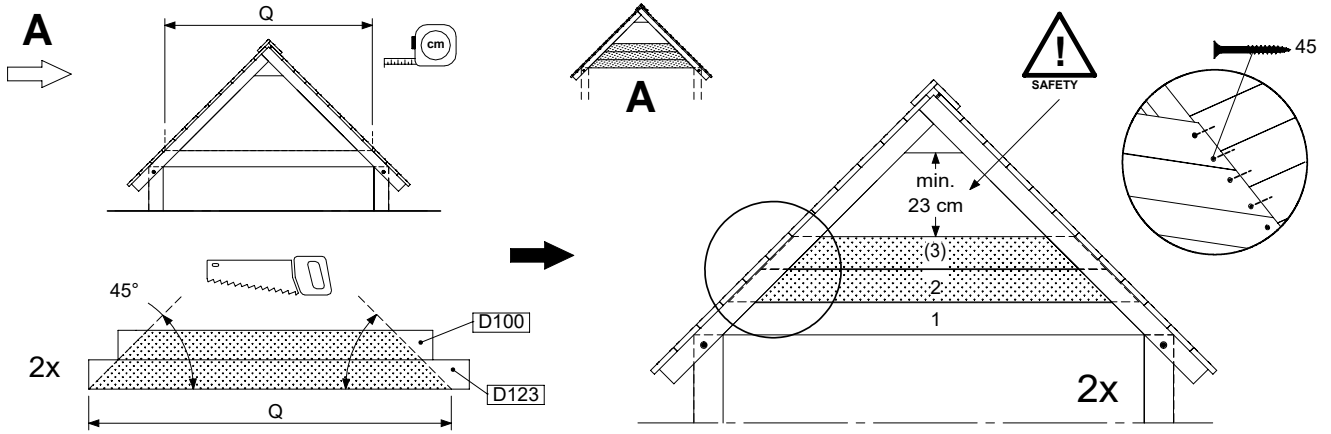
Playhouse Roof Panels - P03 DL90° - 27/05/2025 - v1.2



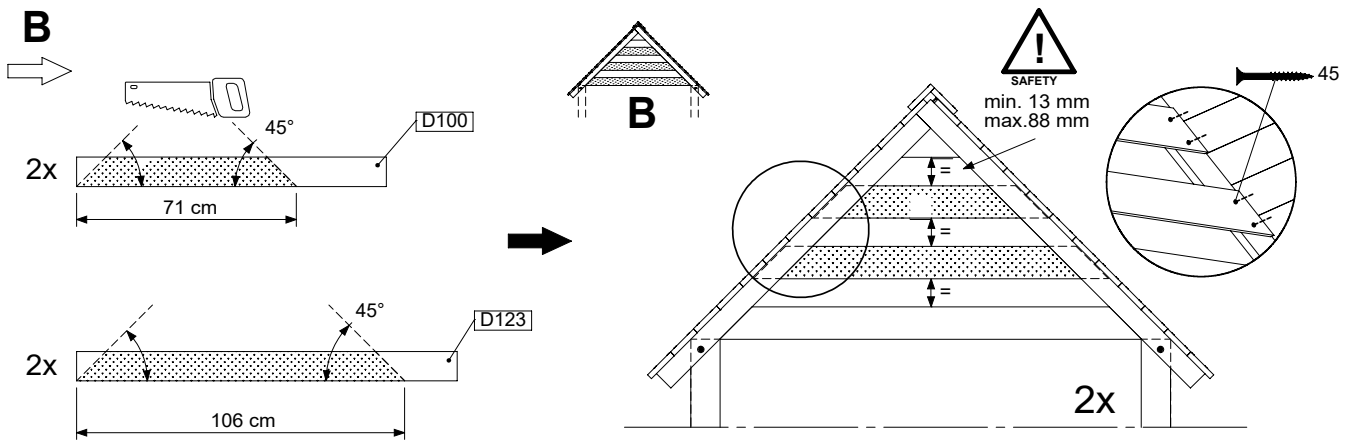
Playhouse Roof Panels - P07 DL90° - 27/05/2025 - v1.2



12.1



Playhouse Roof Panels - P11 DL90° - 27/05/2025 - v1.2



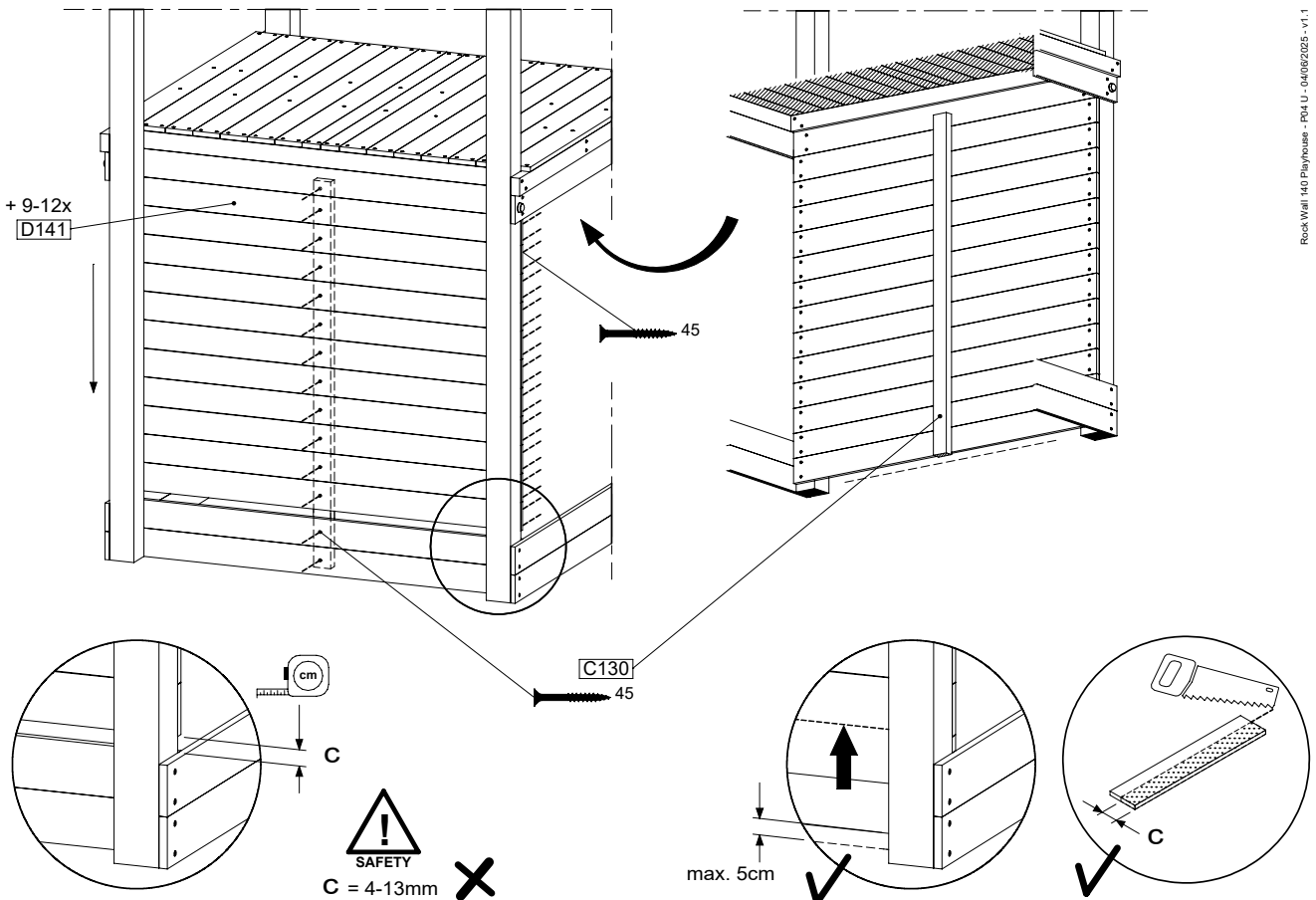
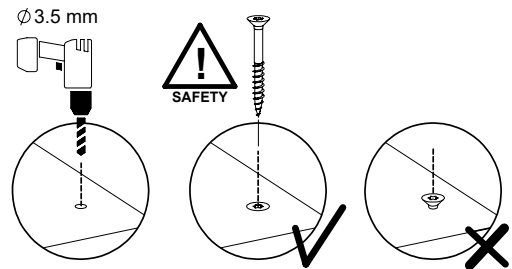
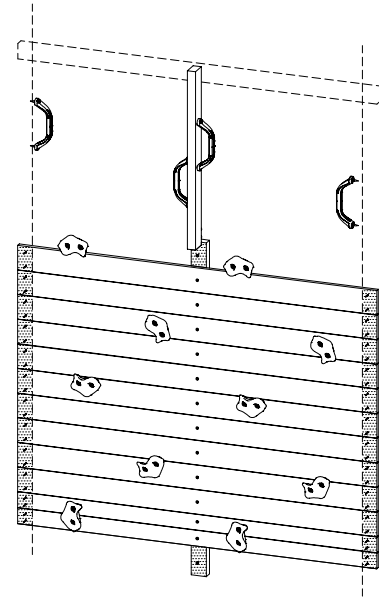
Manual ID: 048_067_2612

13 RW46a: Rock wall 140 Playhouse U

Assembly Packs: 194_006 (2x)

	PartNo	PartName	QTY.
Hardware + Parts	001_102	Washer Head Screw T40 M8x30	20
	002_220	Gap Point Screw T25 - 5x45	62
	002_223	Gap Point Screw T25 - 5x80	4
	003_010	M8 spring lock washer	20
	004_050	M8 Drive-in Nut 22mm	20
	022_50x	Climbing Rock	10
	120_102	Handgrip set (2x Complete)	2
Timber	C70	Beam 700 mm	1
	C130	Beam 1300 mm	1
	D141	Board 1410 mm	12

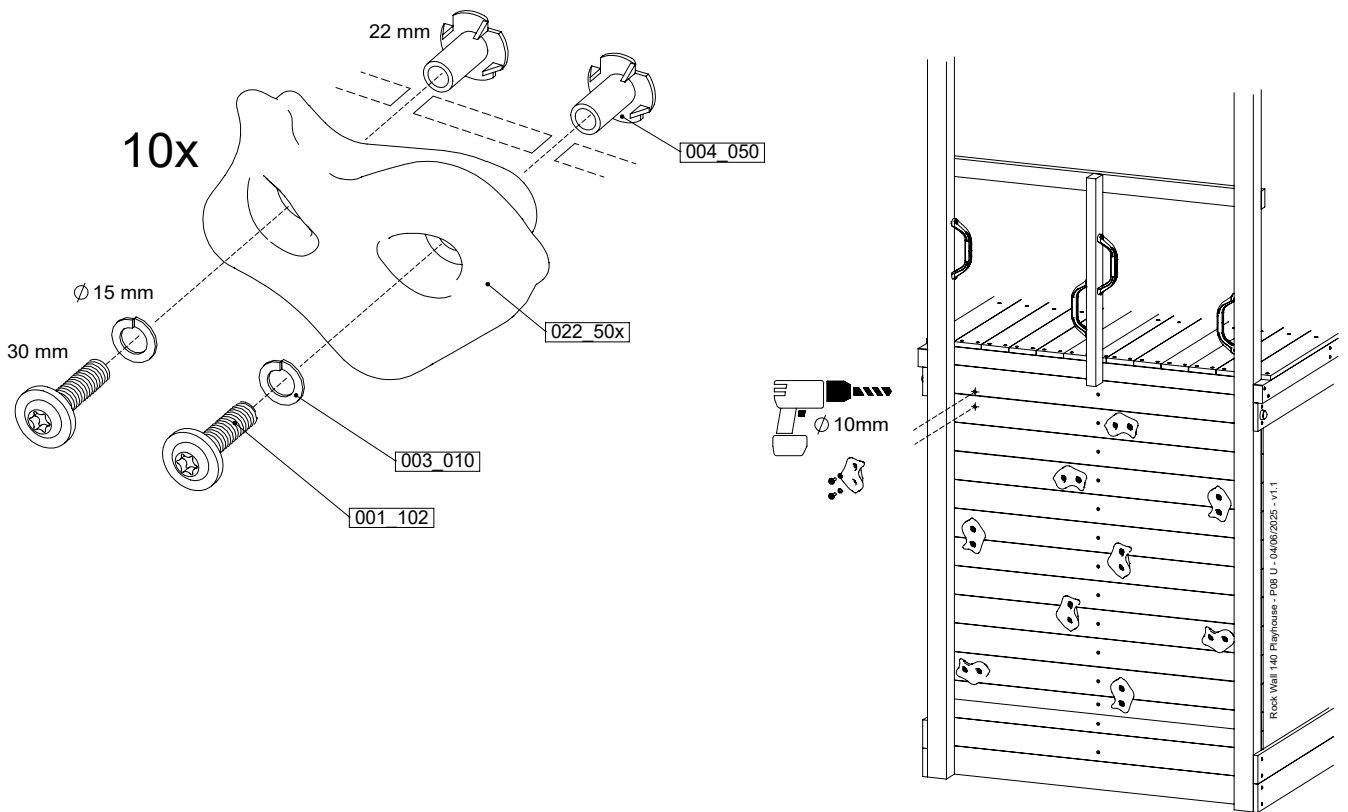
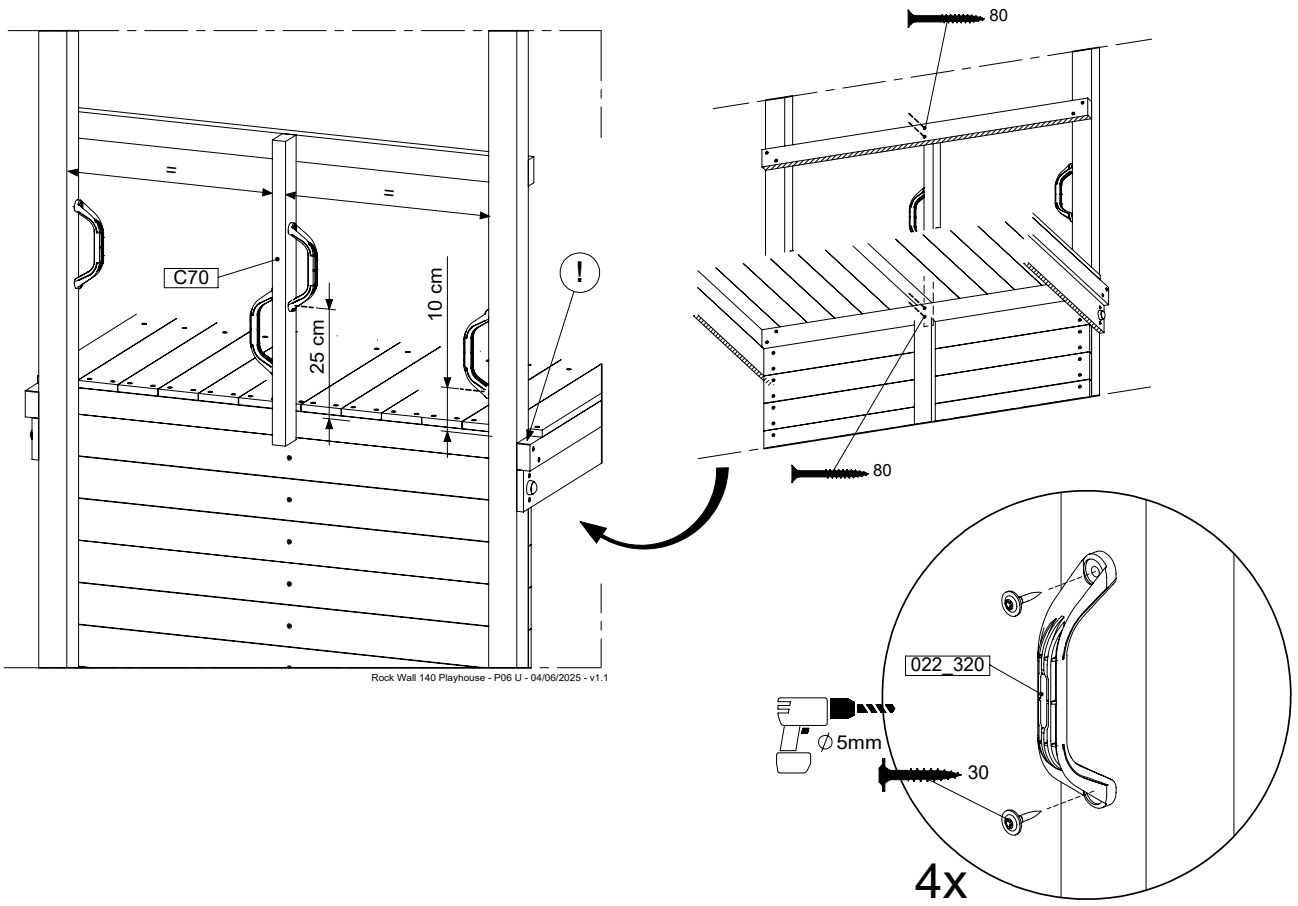
Rock Wall 140 Playhouse - P02 U - 04/06/2025 - v1.1



Rock Wall 140 Playhouse - P04 U - 04/06/2025 - v1.1

Manual ID: 048_067_2612

13.1

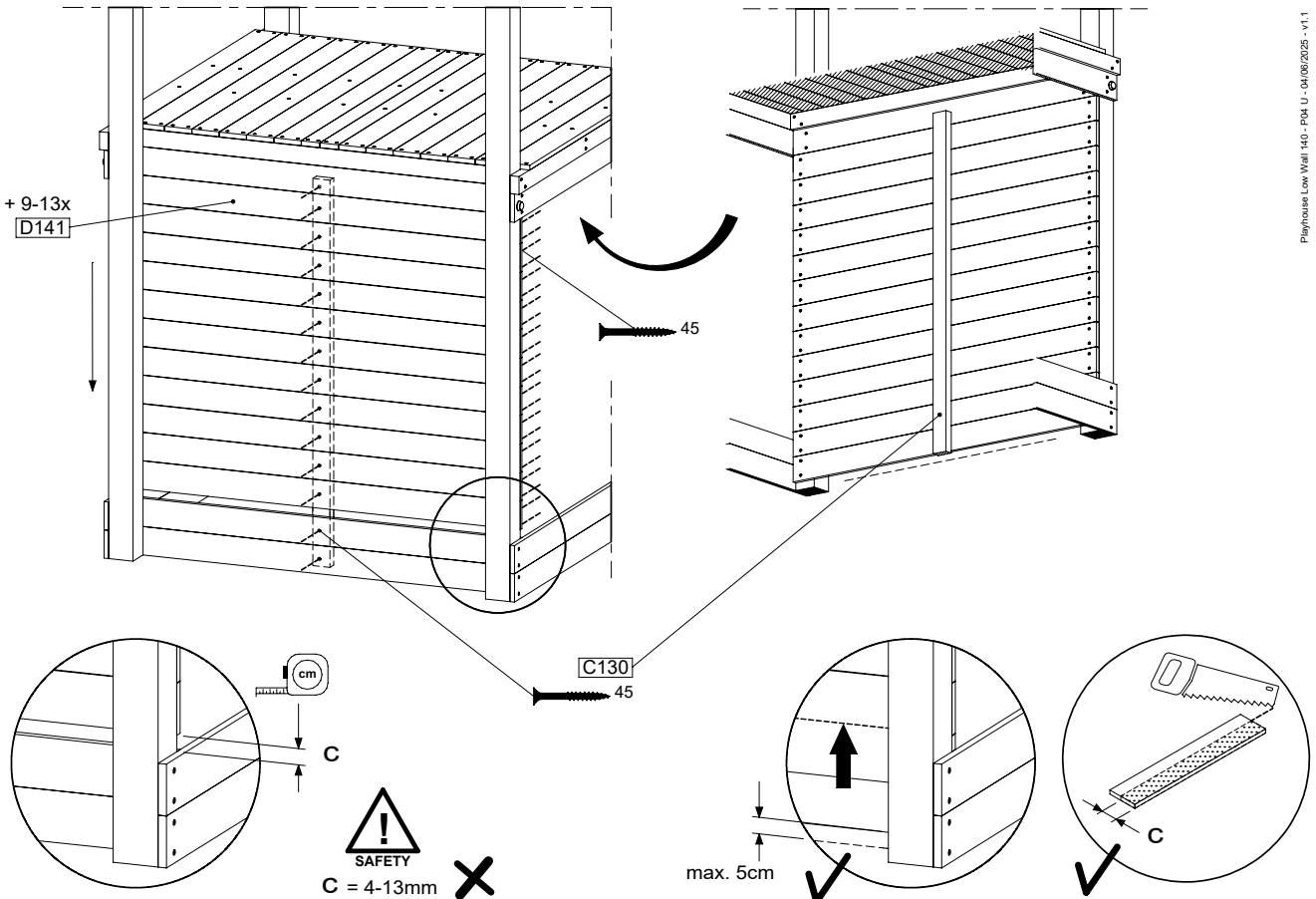
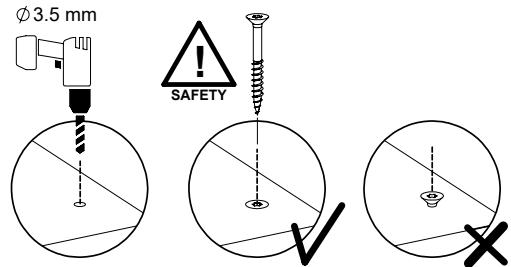
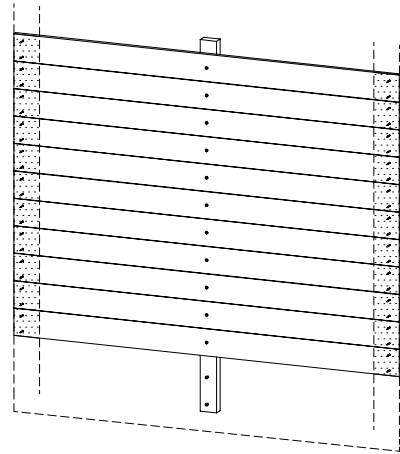


14 PH50a: Playhouse Wall 140 U Low

Assembly Pack: 194_809

	PartNo	PartName	QTY.
Hardware Pack	002_220	Gap Point Screw T25 - 5x45	67
Timber	C130	Beam 1300 mm	1
	D141	Board 1410 mm	13

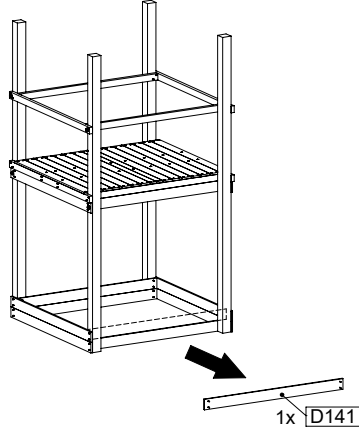
Playhouse Low Wall 140 - P02 U - 04/06/2025 - v1.1



Playhouse Low Wall 140 - P04 U - 04/06/2025 - v1.1

Manual ID: 048_067_2612

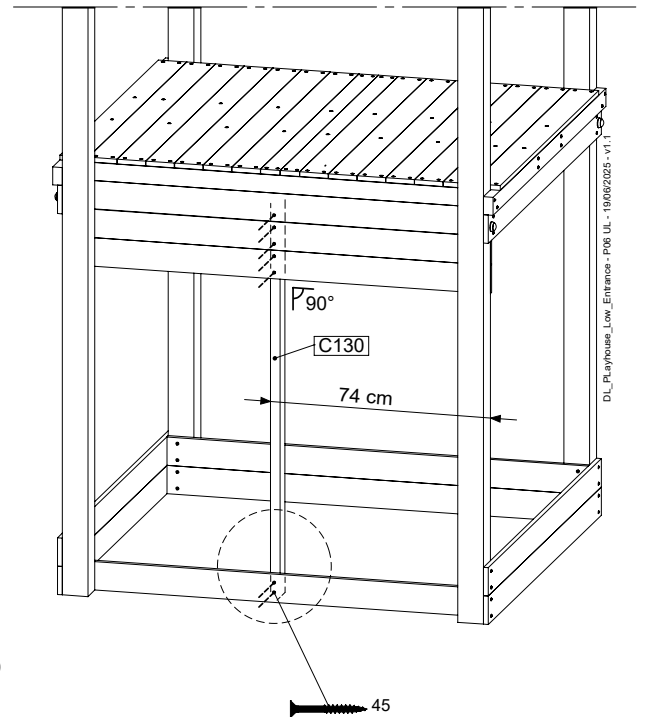
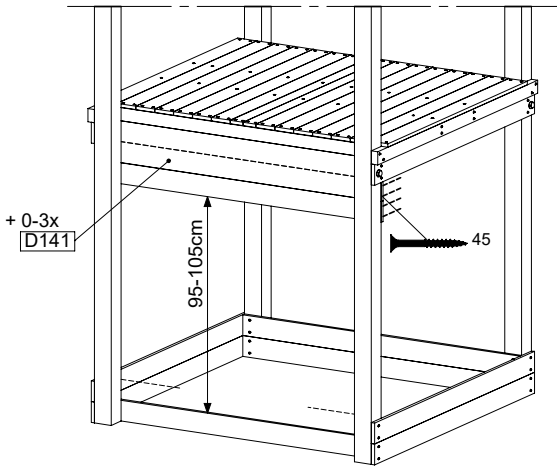
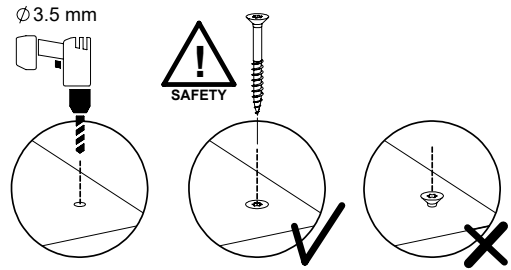
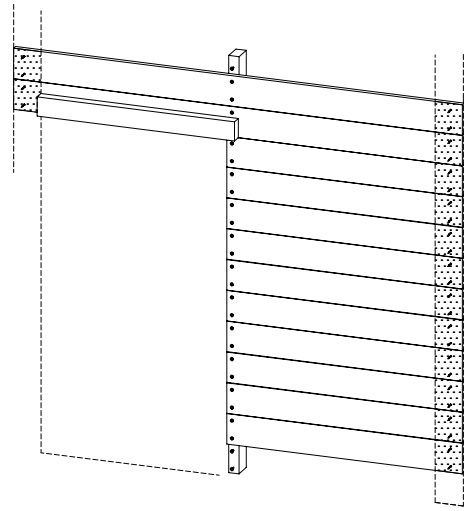
15 PH52a: Playhouse Entrance 140 UL Low



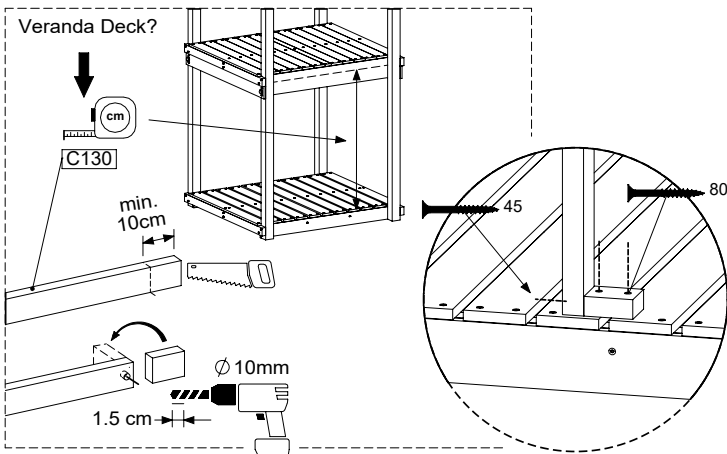
Assembly Pack: 194_809

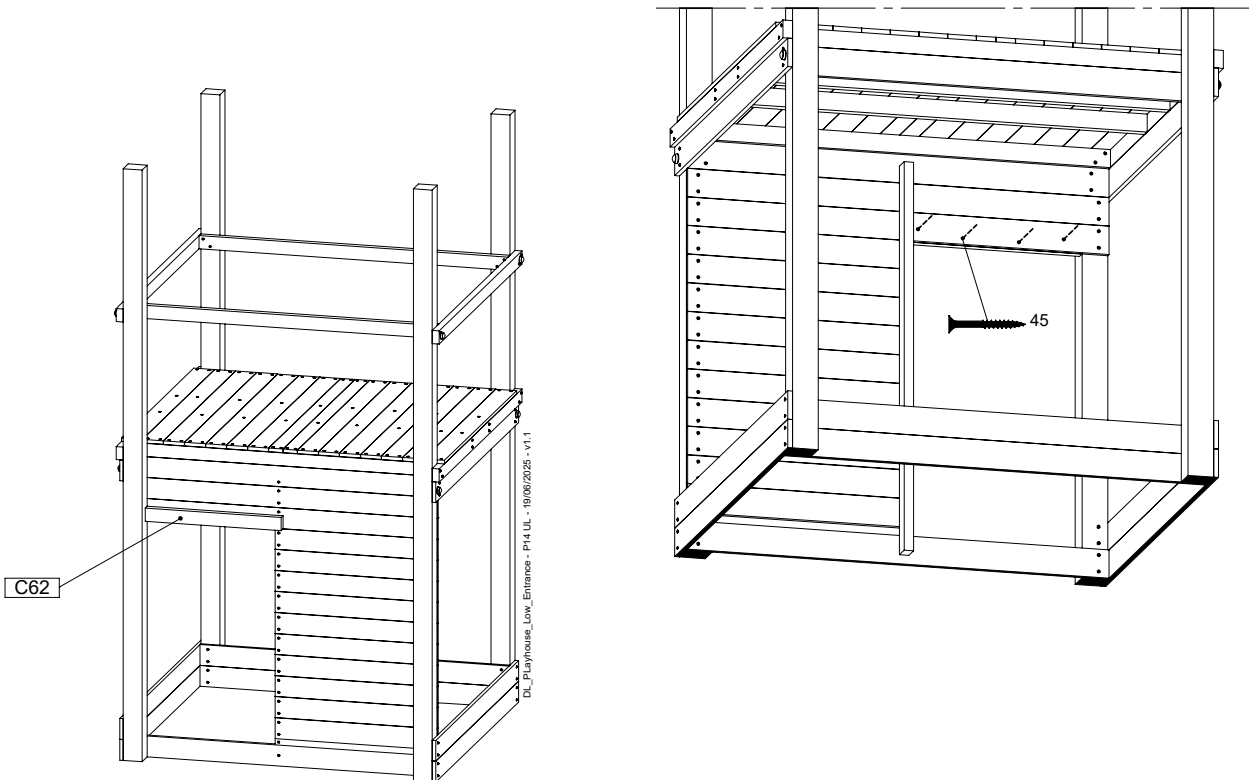
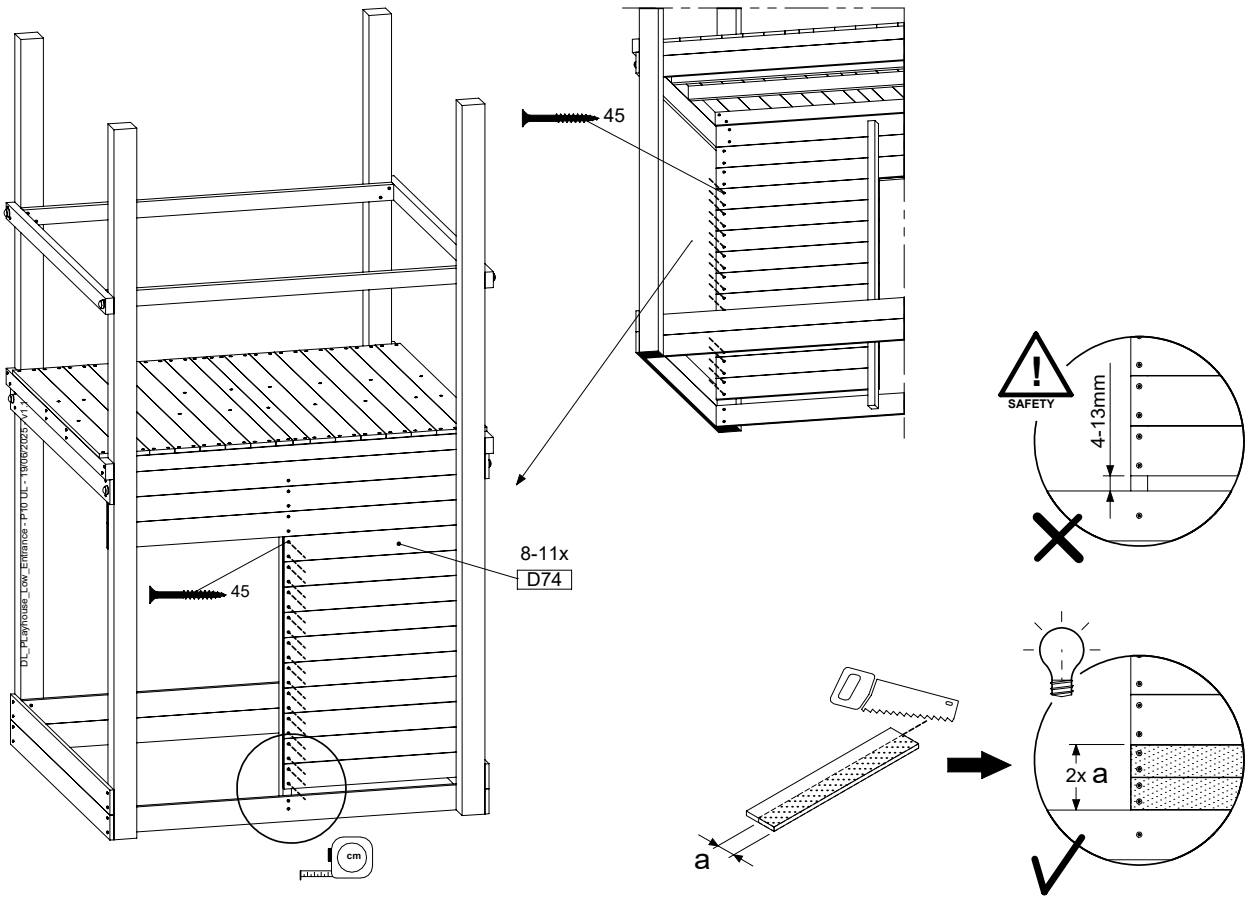
	PartNo	PartName	QTY.
Hardware Pack	002_220	Gap Point Screw T25 - 5x45	66
Timber	C62	Beam 620 mm	1
	C130	Beam 1300 mm	1
	D74	Board 740 mm	11
	D141	Board 1410 mm	2

DL_Playhouse_Low_Entrance - P02 UL - 19062025 - v1.1

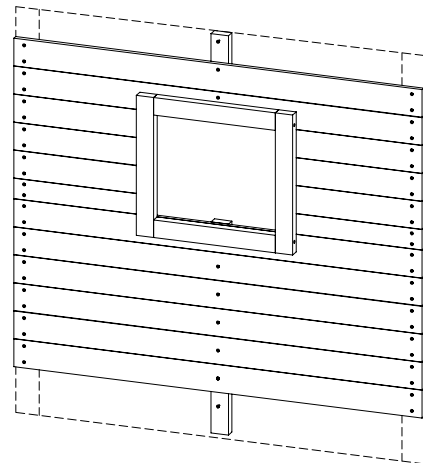


DL_Playhouse_Low_Entrance - P06 UL - 19062025 - v1.1





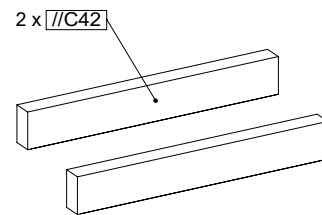
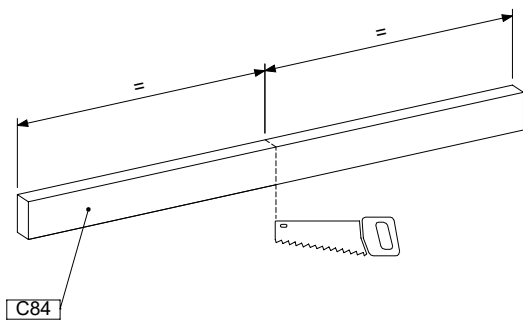
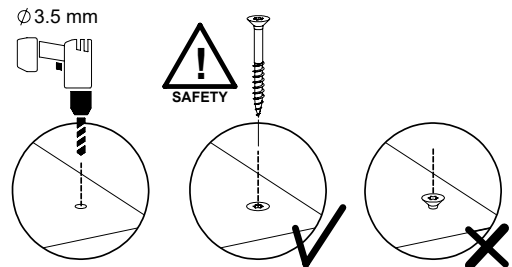
16 PH57b: Playhouse Window 140 T Low 2.0



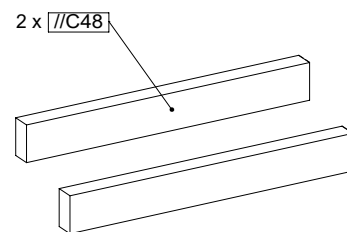
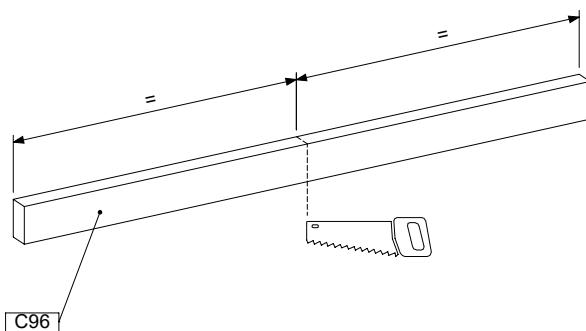
Assembly Pack: 194_508 / 194_804

	PartNo	PartName	QTY.
Hardware Pack	002_220	Gap Point Screw T25 - 5x45	88
	002_223	Gap Point Screw T25 - 5x80	4
Timber	C84	Beam 840 mm	1
	C96	Beam 960 mm	2
	D47	Board 470 mm	8
	D141	Board 1410 mm	9

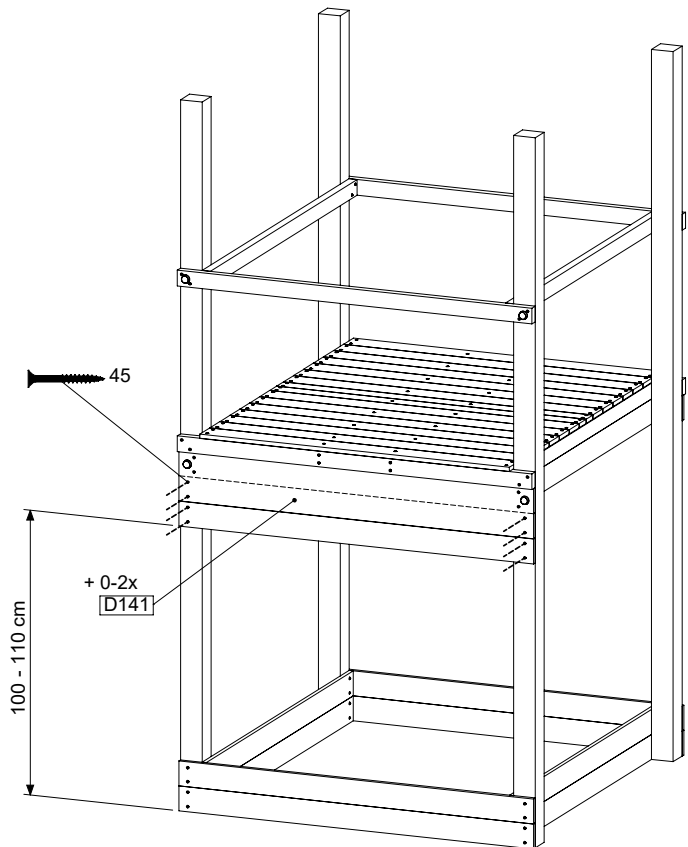
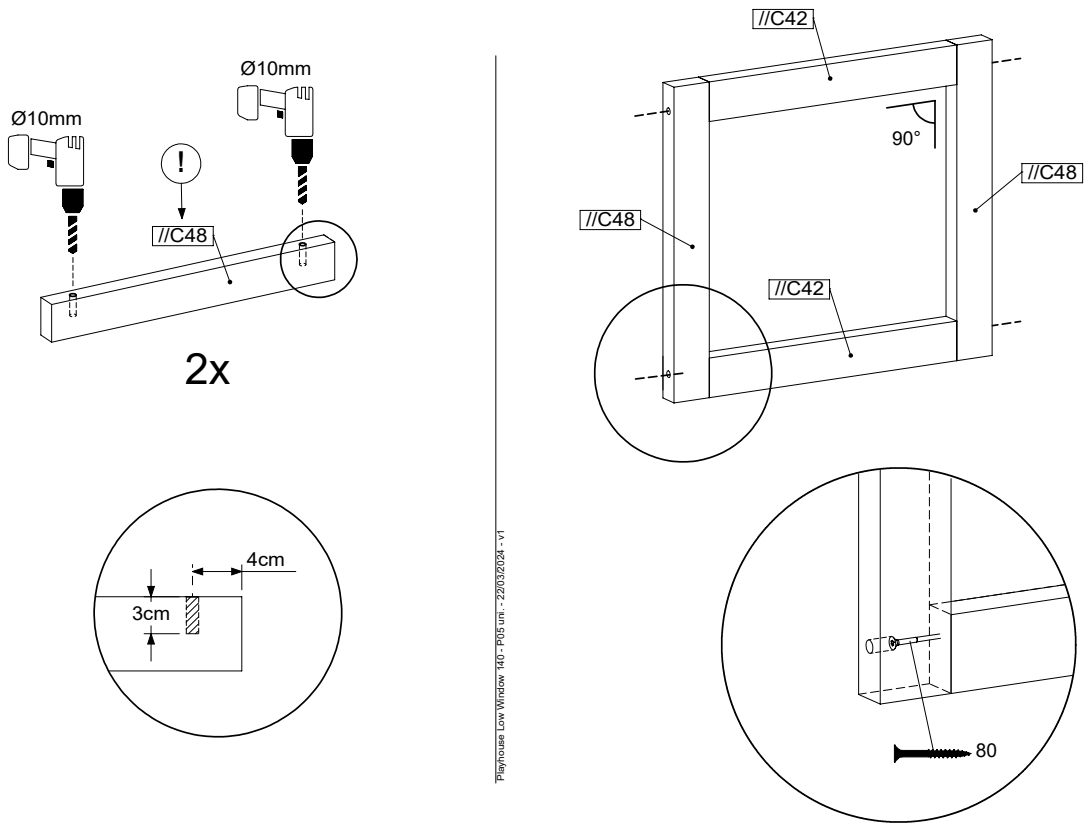
Playhouse Low Window 140 - P03 T - 22/03/2024 - v1

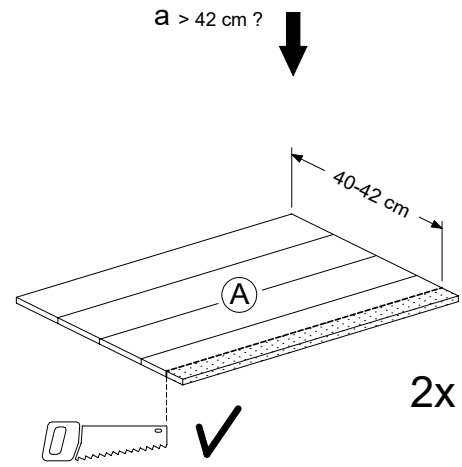
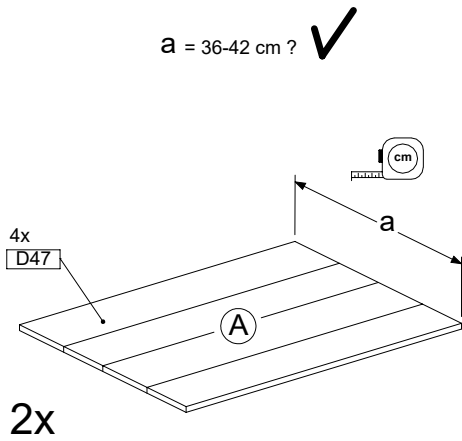



Playhouse Low Window 140 - P04 uni. - 22/03/2024 - v1

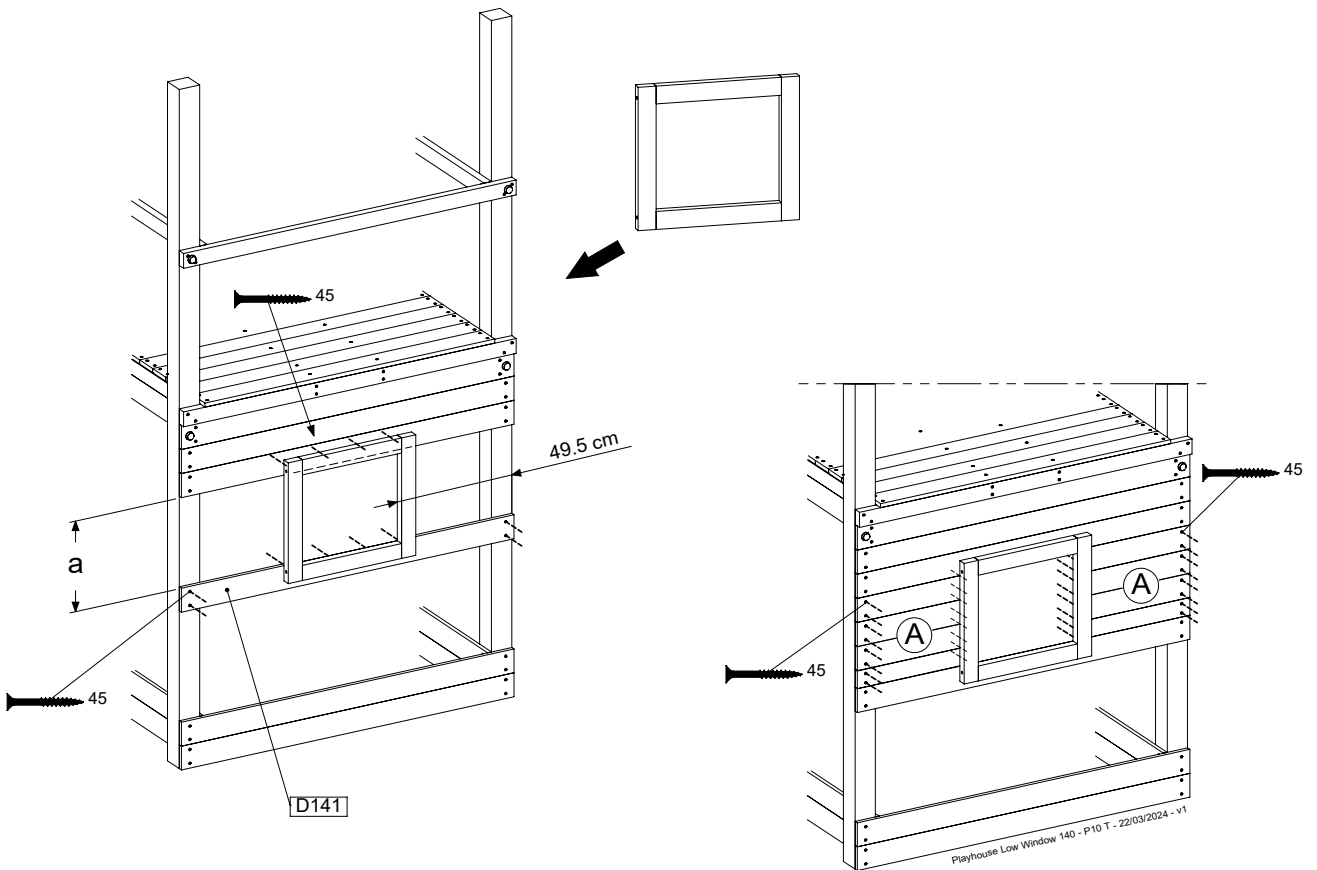


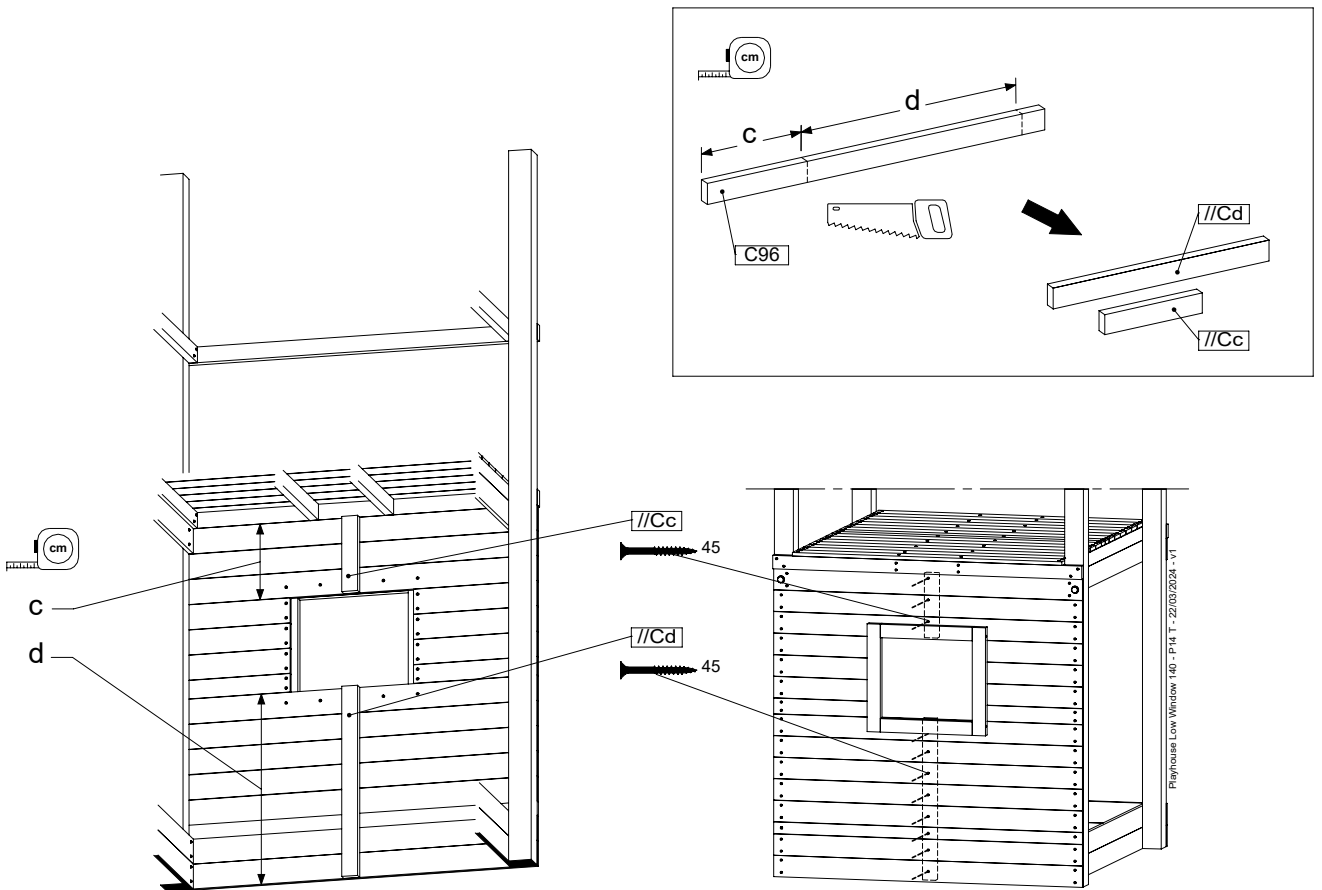
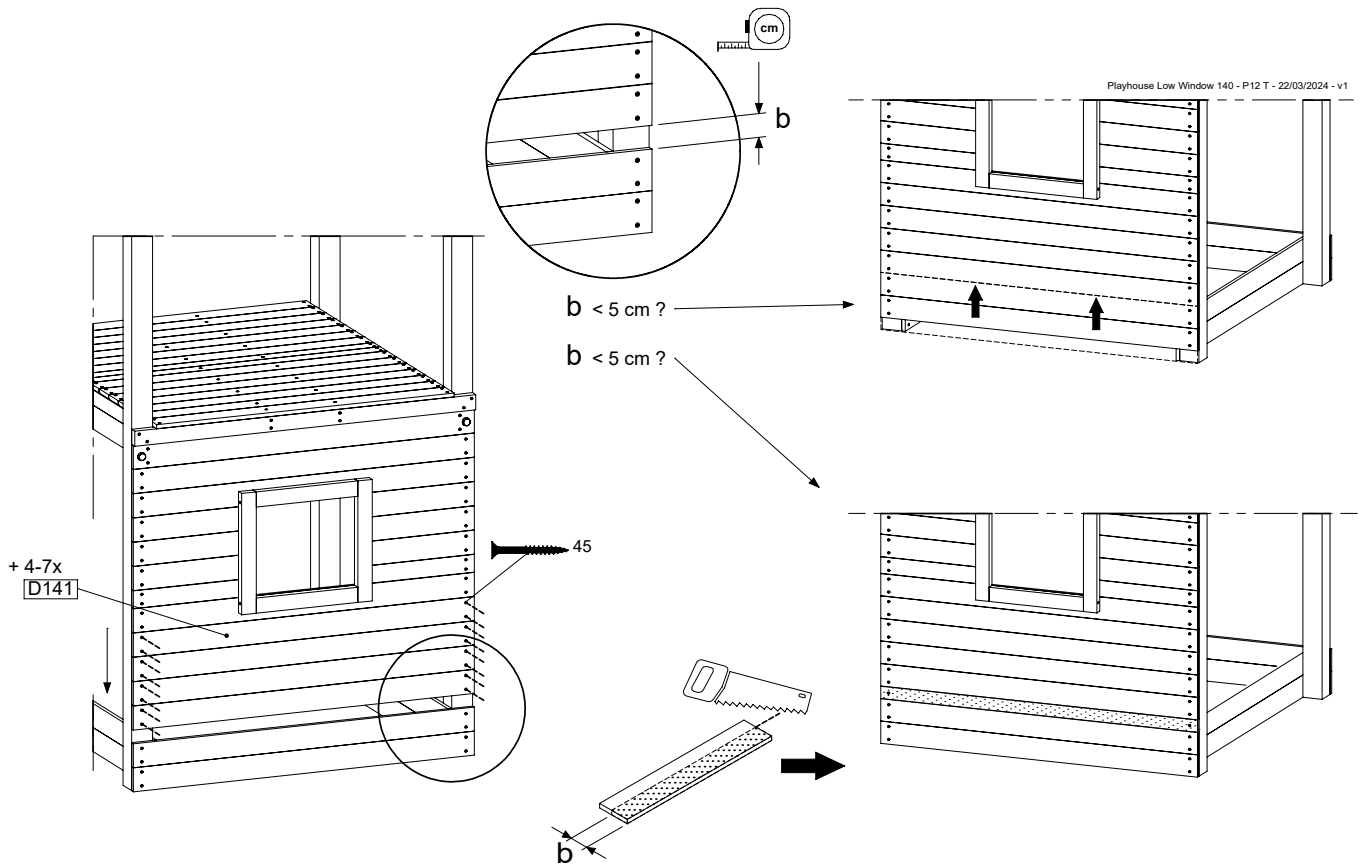
16.1





 $a = \dots\dots\dots \text{ cm}$



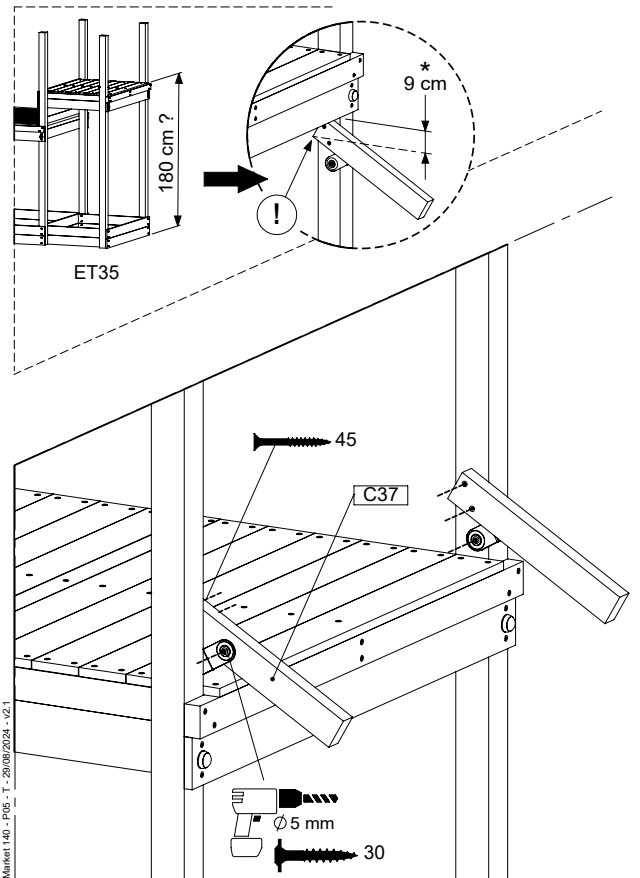
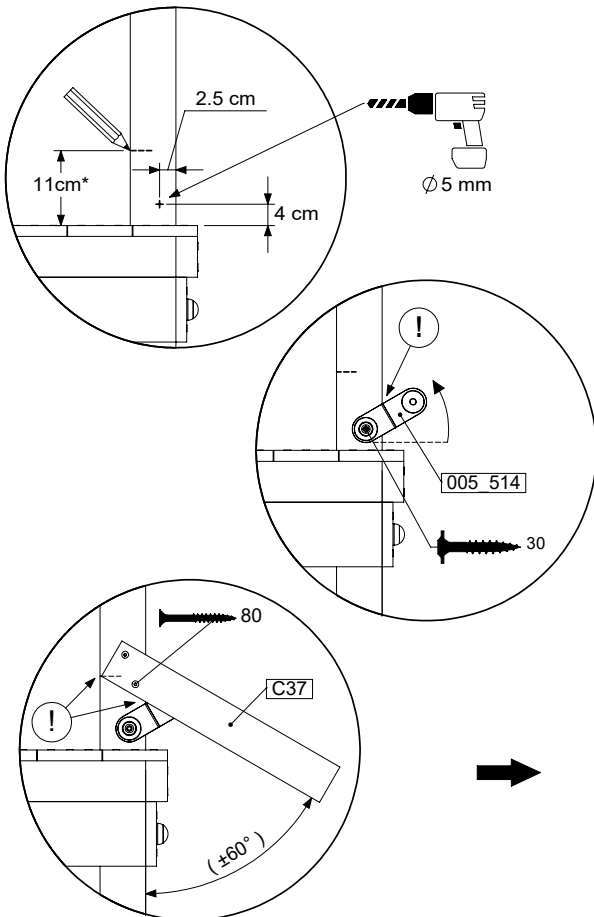
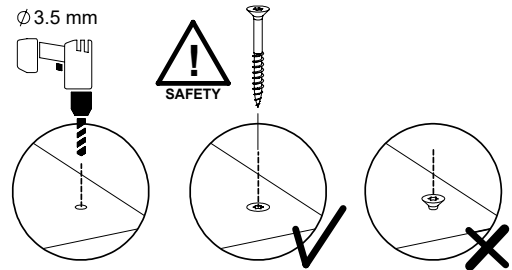
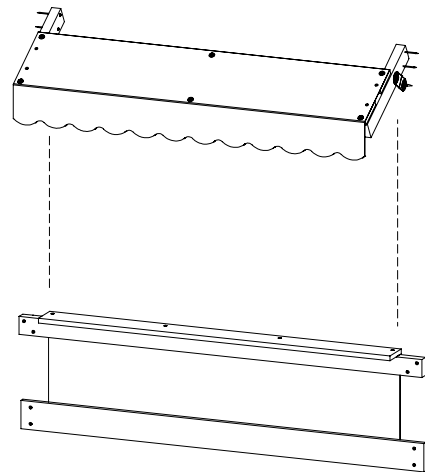


17 MT12a: Market 140 T

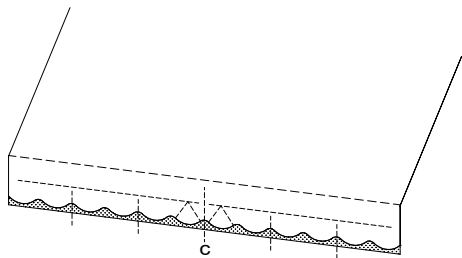
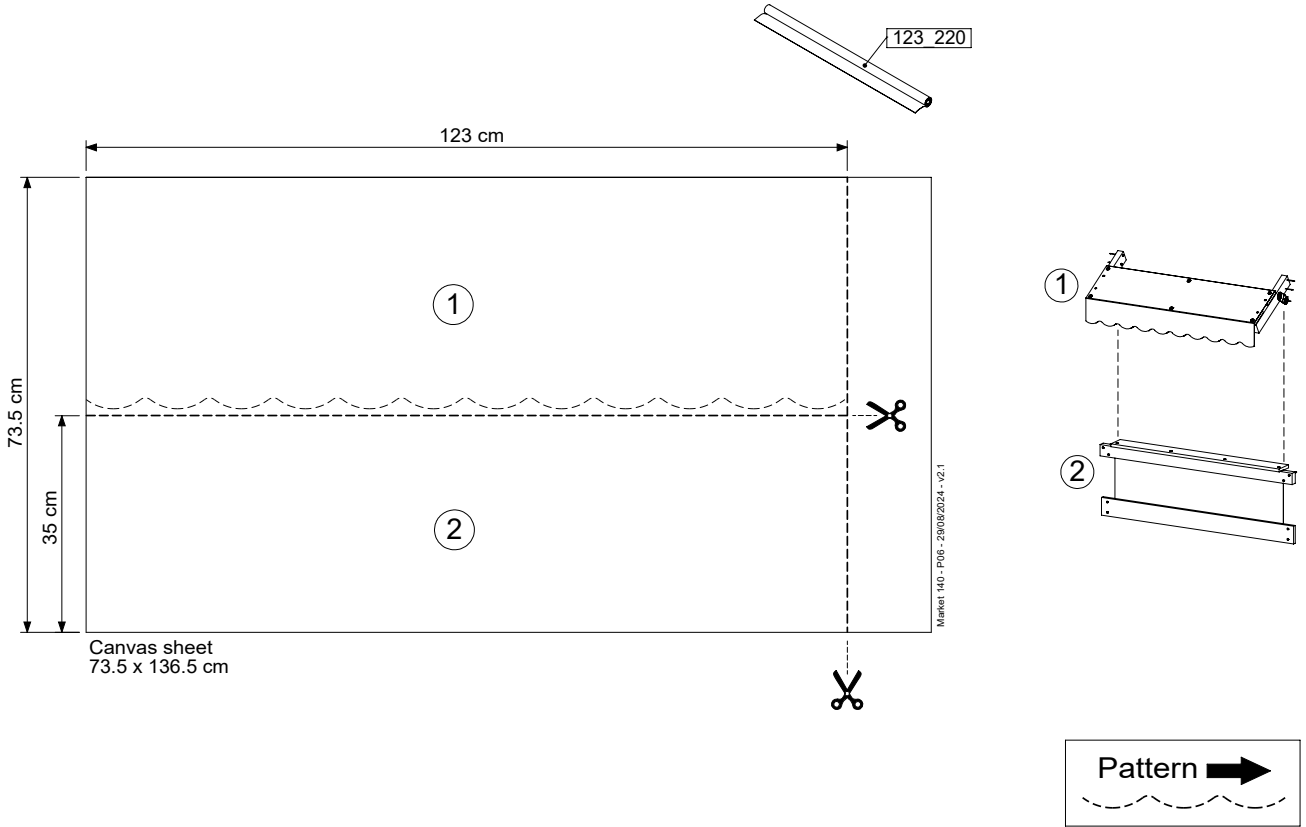
Assembly Pack: 194_811

	PartNo	PartName	QTY.
Hardware + Parts	001_404	Stealth Screw 8x30	4
	002_220	Gap Point Screw T25 - 5x45	16
	002_223	Gap Point Screw T25 - 5x80	8
	002_308	Gap Point Screw T25 - 5x20	10
	005_514	Ladder Bracket	2
	023_031	Finishing Washer GPS 5.0	10
	123_220	Canvas sheet 735x1365mm	1
Timber	C37	Beam 370 mm	2
	C141	Beam 1410 mm	1
	D123	Board 1230 mm	3
	D141	Board 1410 mm	1

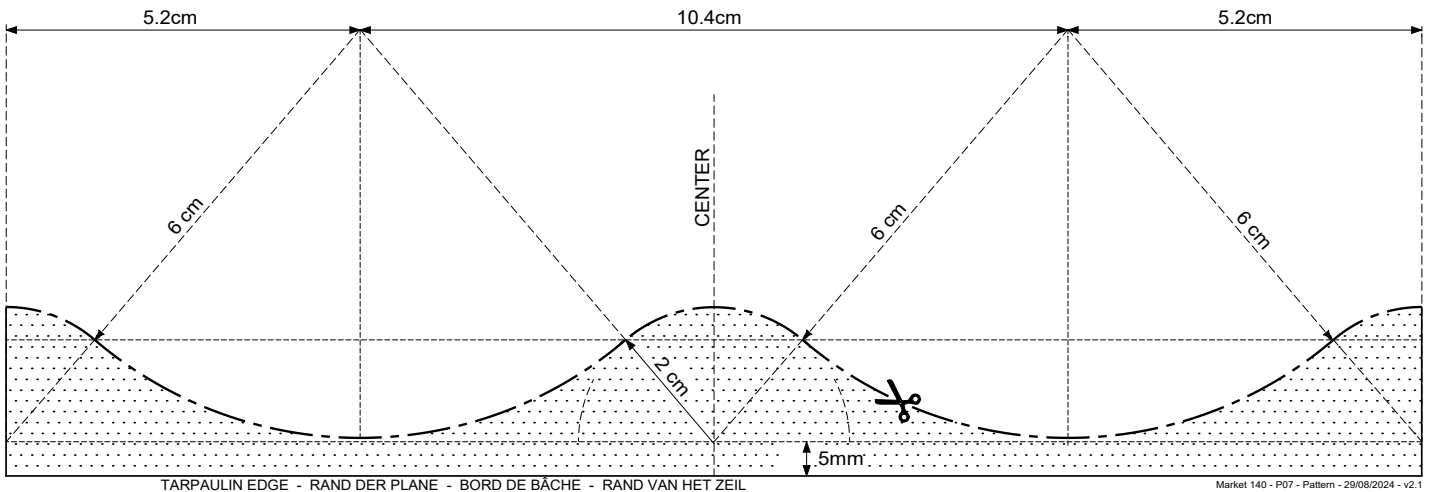
Market 140 - P03 - T - 20/08/2024 - v2.1



Market 140 - P03 - T - 20/08/2024 - v2.1



EXAMPLE PATTERN
 BEISPIELVORLAGE FÜR MARKISE
 SCHÉMA SUGGÈRE DE DÉCOUPE POUR AUVENT
 VOORBEELDSJABLOON LUIFEL

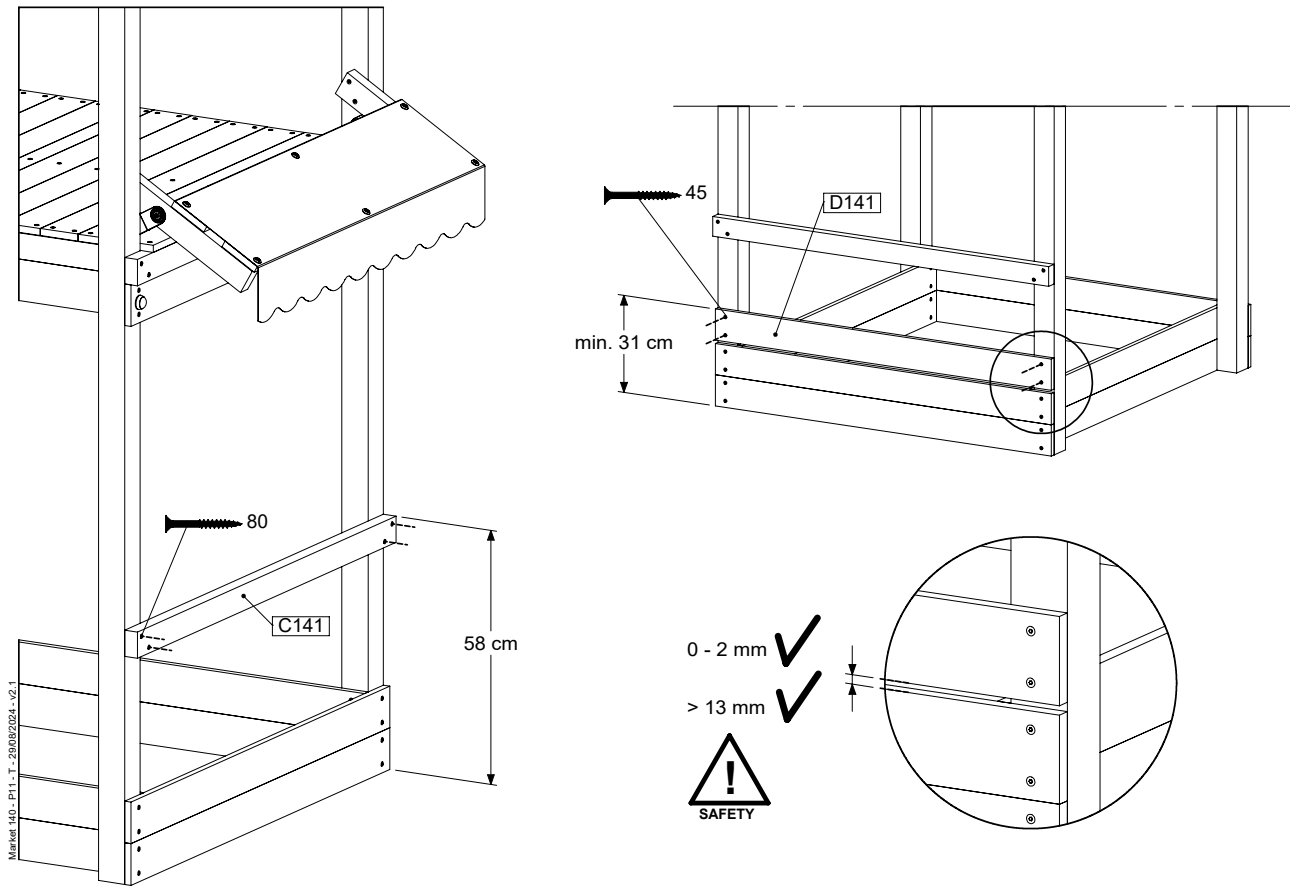
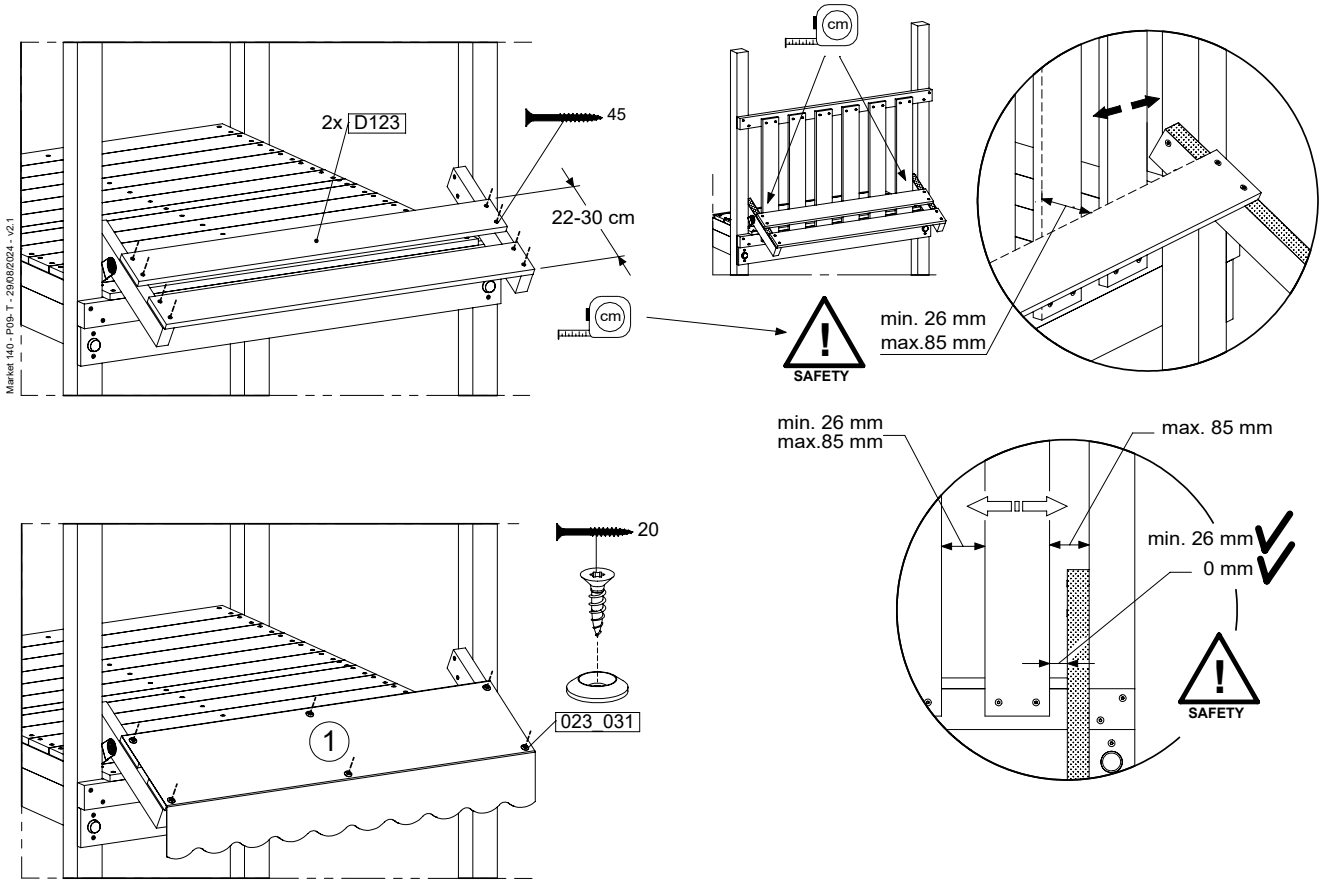


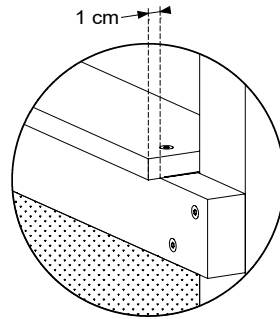
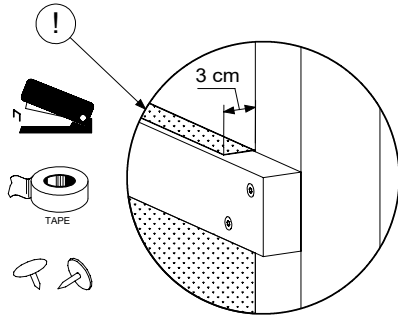
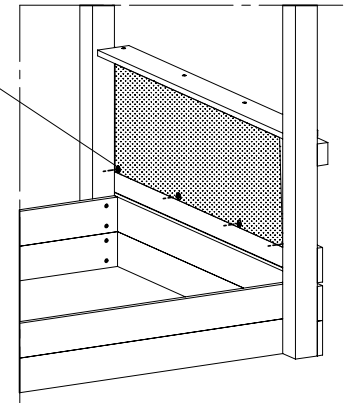
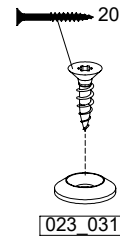
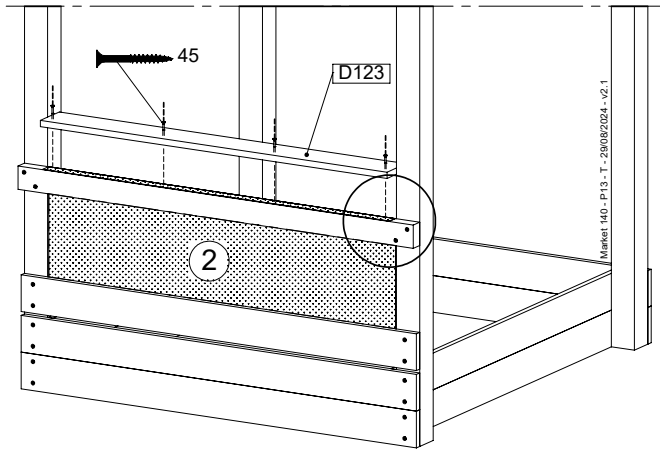
← repeat

repeat →



Scale of print may not be accurate.
 Druckformat kann abweichen.
 Les tailles imprimées peuvent varier.
 Printformaat kan afwijken.



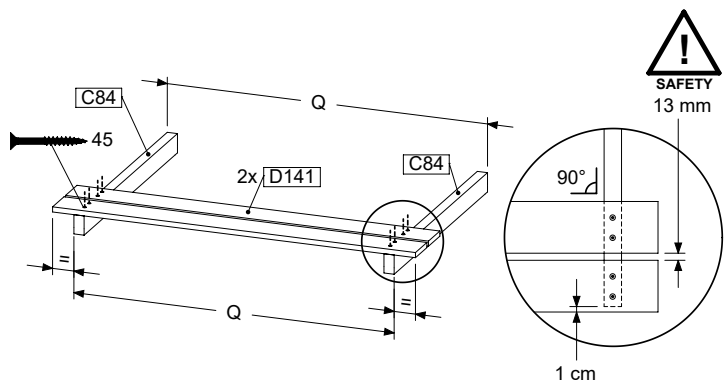
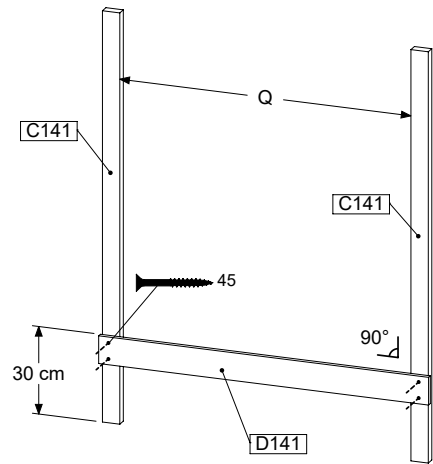
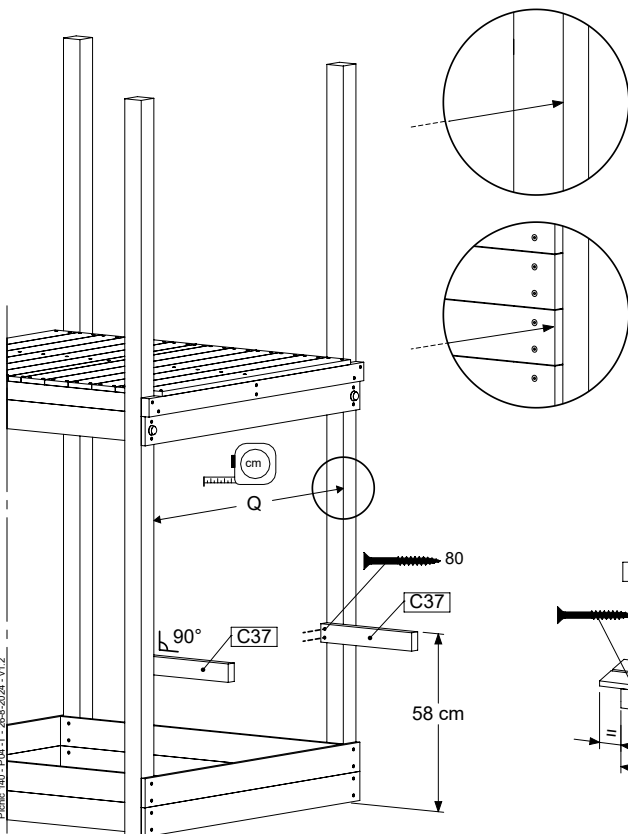
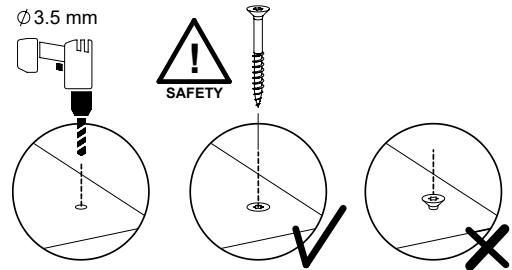
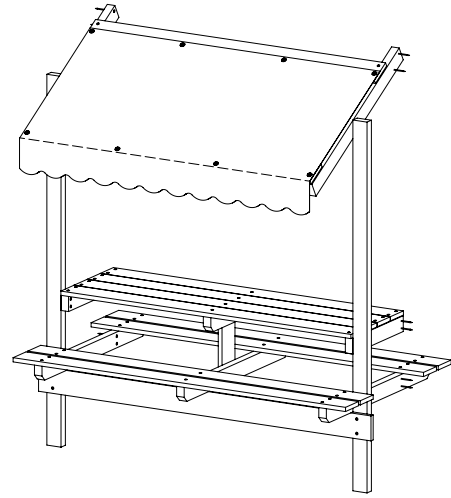


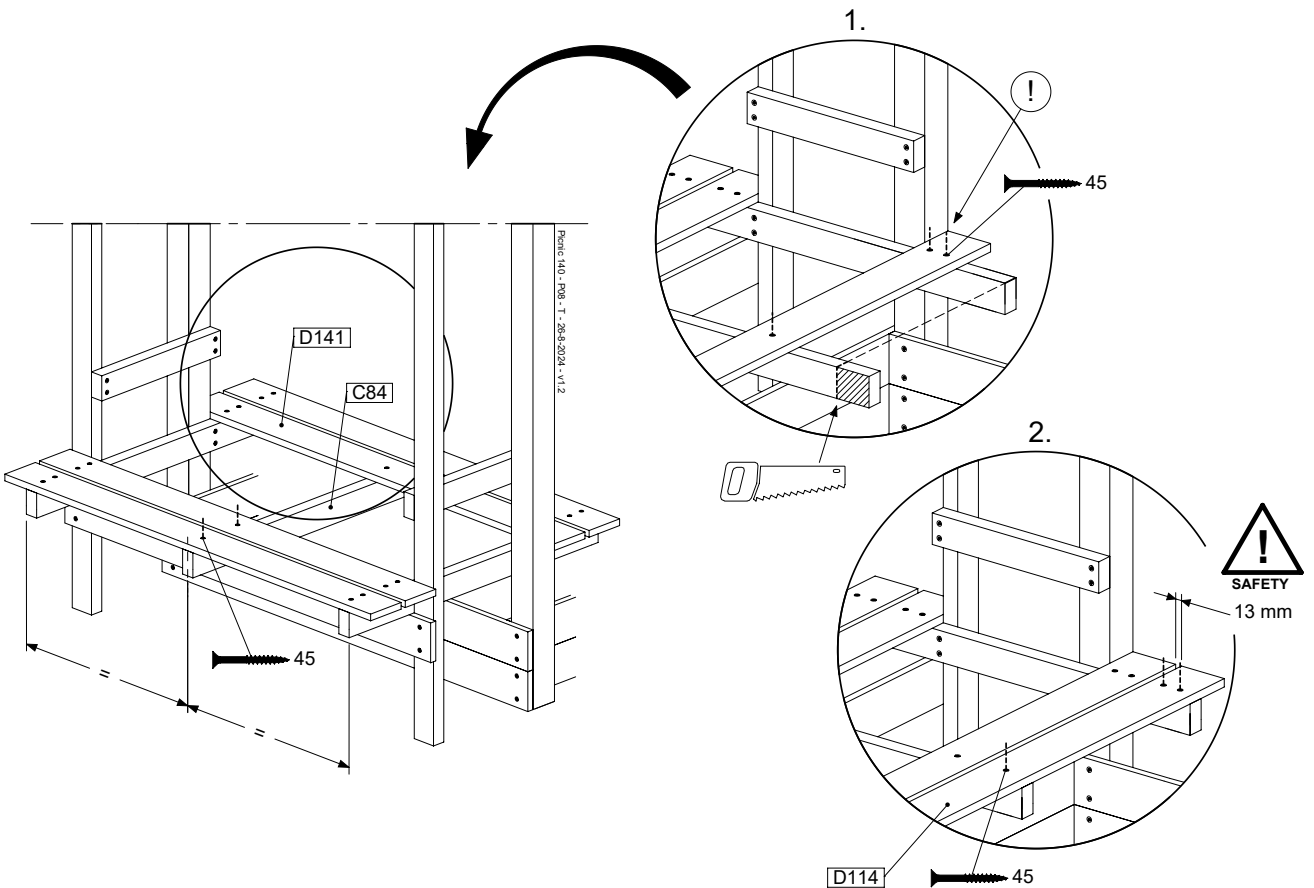
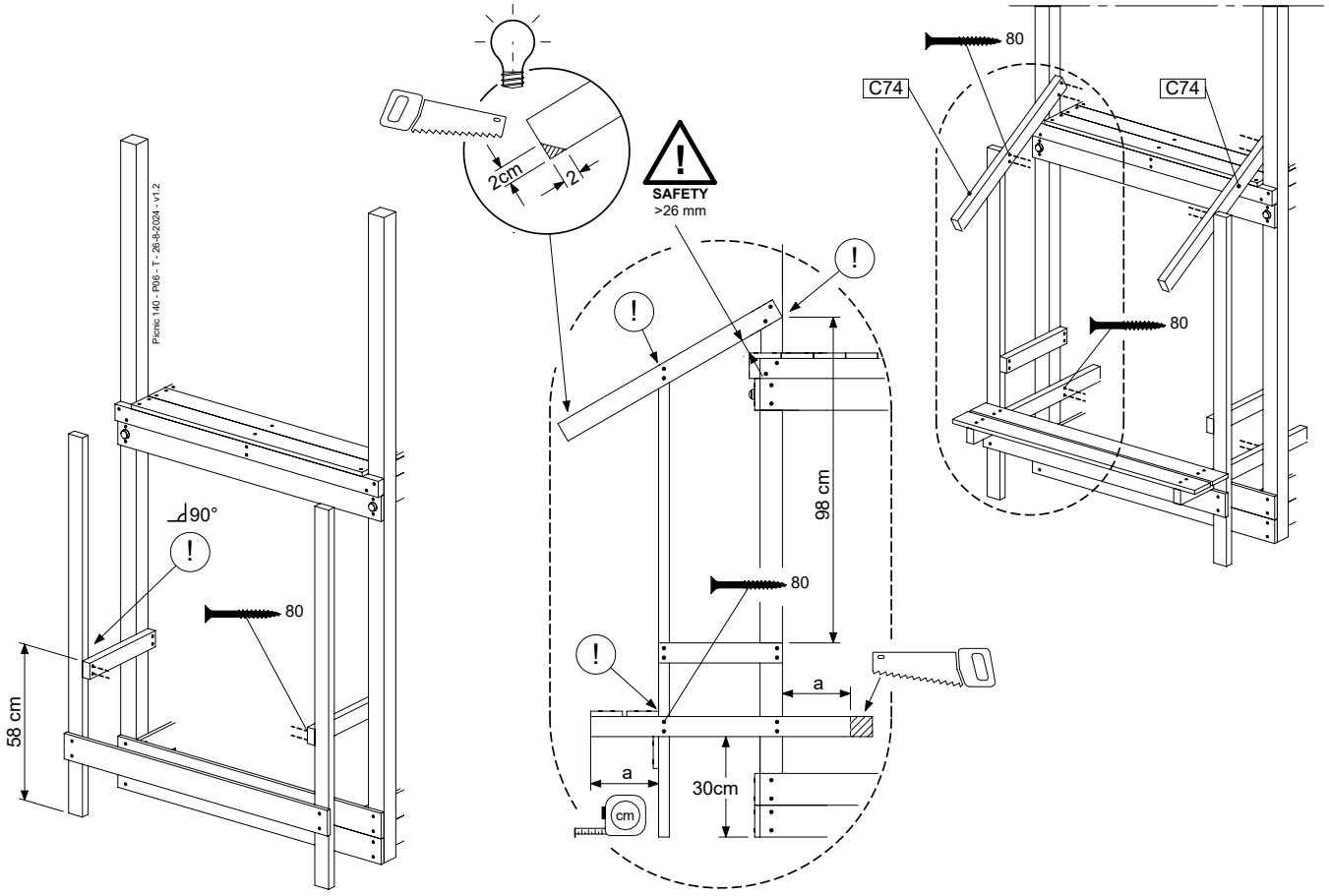
18 PC10a: Picnic 140 T

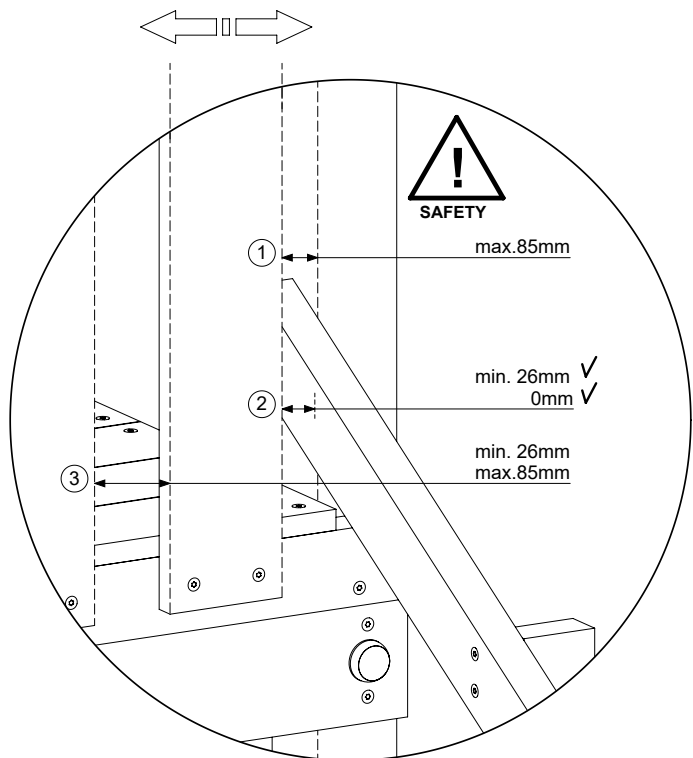
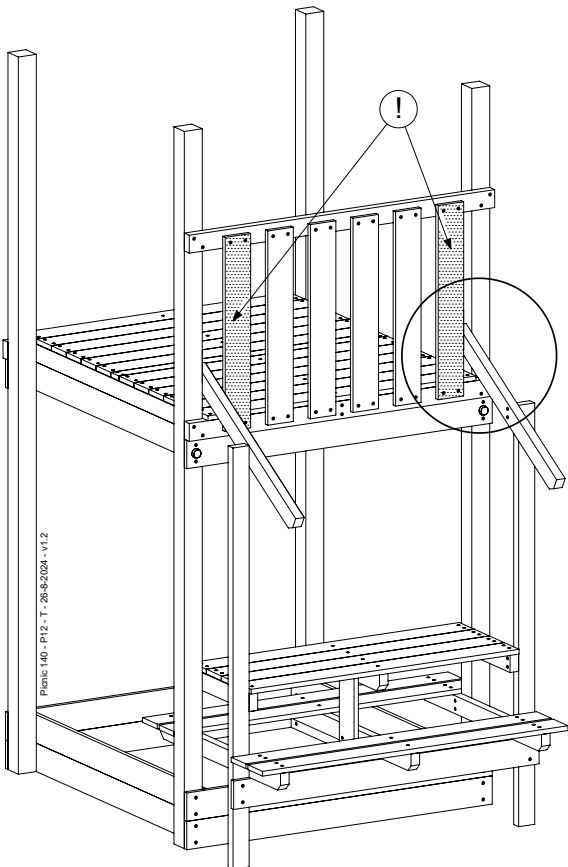
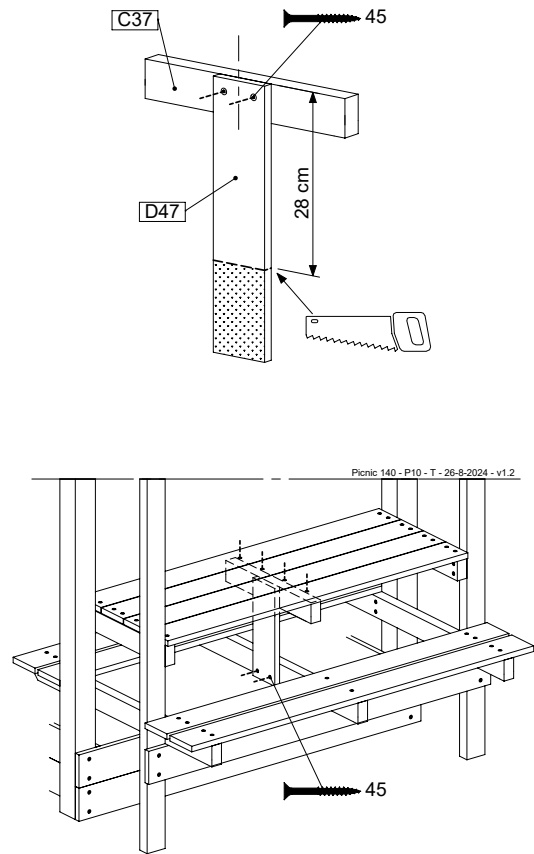
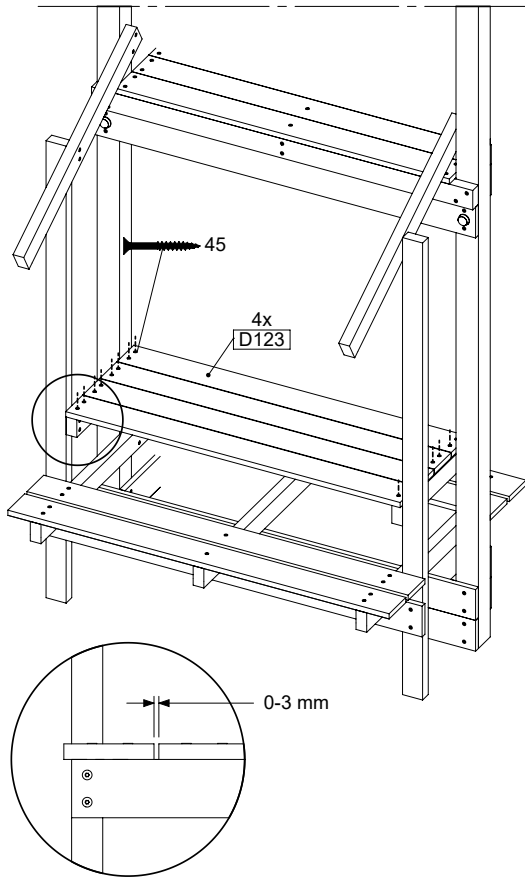
Assembly Pack: 194_810

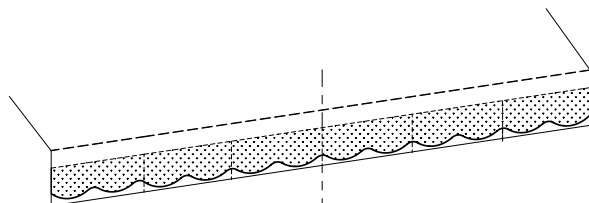
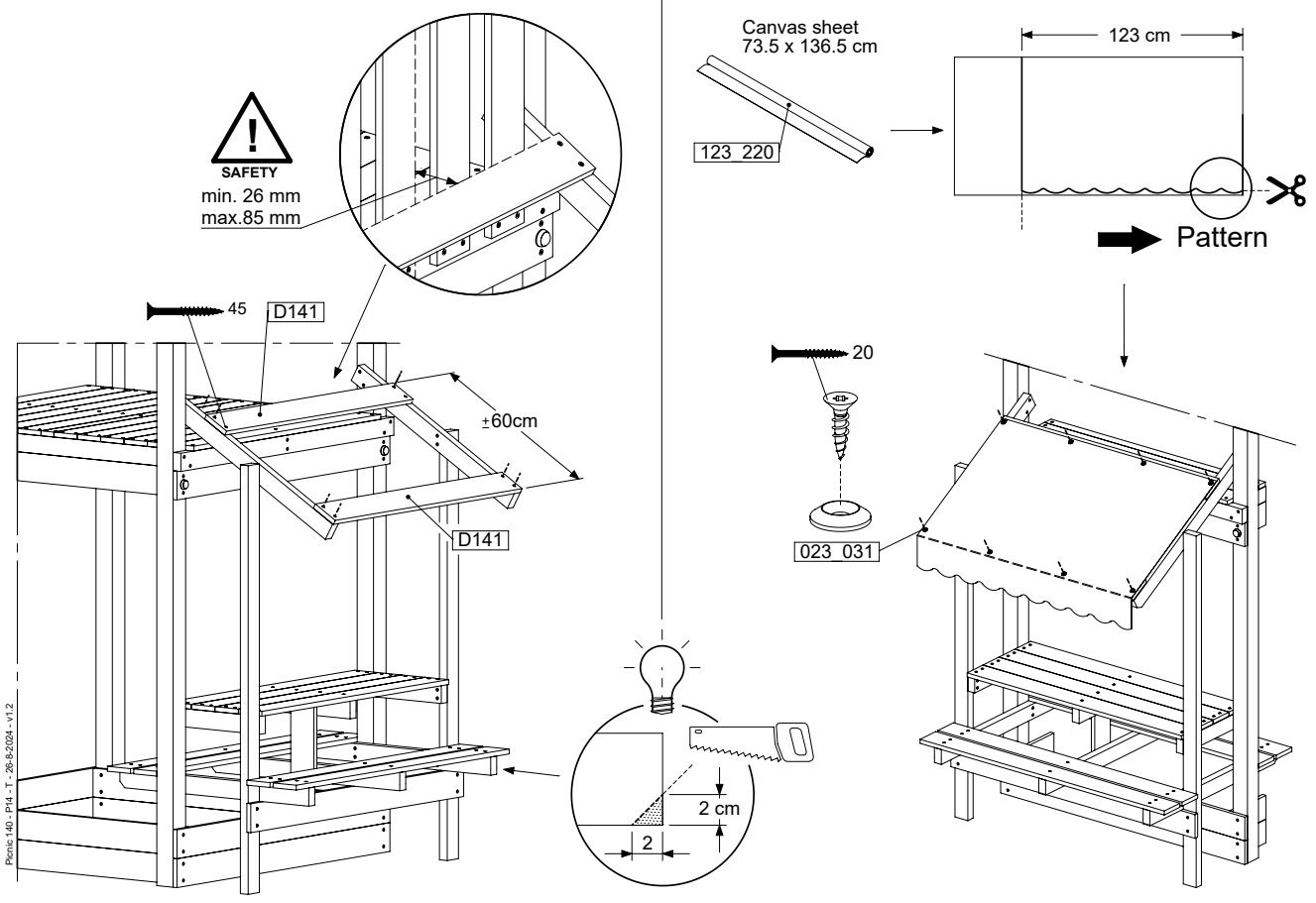
	PartNo	PartName	QTY.
Hardware + Parts	002_220	Gap Point Screw T25 - 5x45	56
	002_223	Gap Point Screw T25 - 5x80	24
	002_308	Gap Point Screw T25 - 5x20	8
	023_031	Finishing Washer GPS 5.0	8
	123_220	Canvas sheet 735x1365mm	1
Timber	C37	Beam 370 mm	3
	C74	Beam 740 mm	2
	C84	Beam 840 mm	3
	C141	Beam 1410 mm	2
	D47	Board 470 mm	1
	D123	Board 1230 mm	6
	D141	Board 1410 mm	5

Picnic 140 - R02 - UJT - 26-08-2024 - v1.2

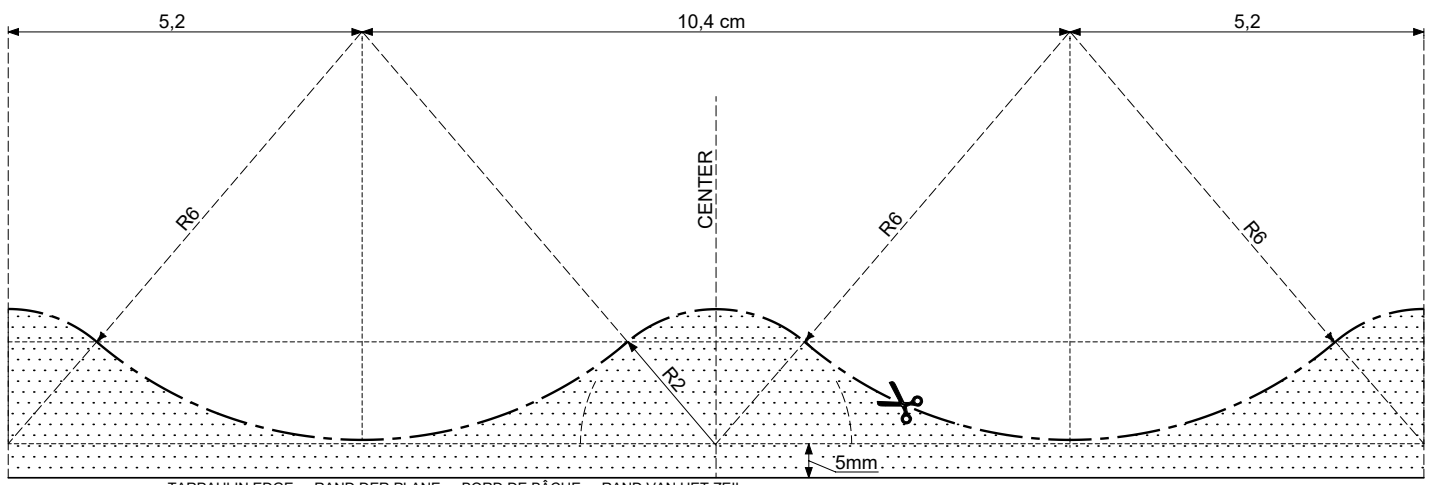








EXAMPLE PATTERN
 BEISPIELVORLAGE FÜR MARKISE
 SCHEMA SUGGÉRÉ DE DÉCOUPE POUR AUVENT
 VORBEELDSJABLOON LUIFEL

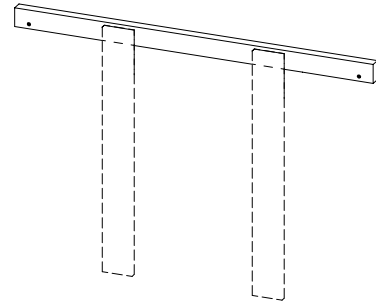
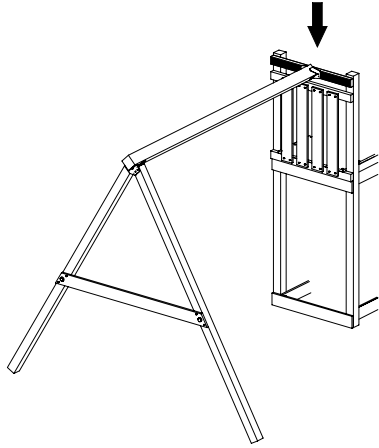


← repeat

repeat →

! Scale of print may not be accurate.
 Druckformat kann abweichen.
 Les tailles imprimées peuvent varier.
 Printformaat kan afwijken.

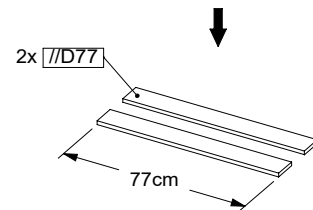
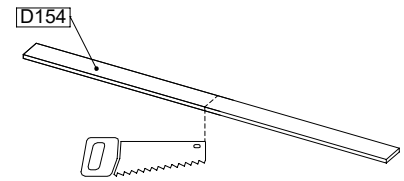
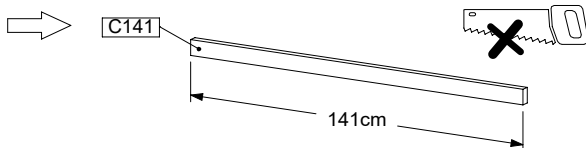
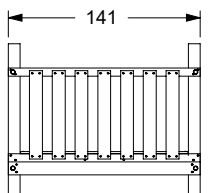
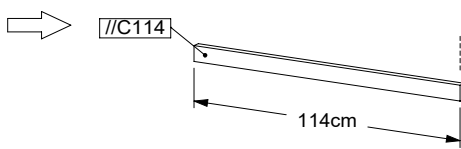
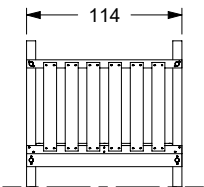
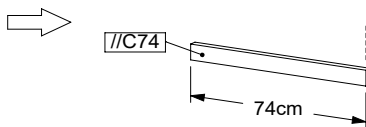
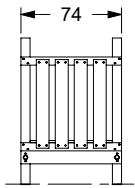
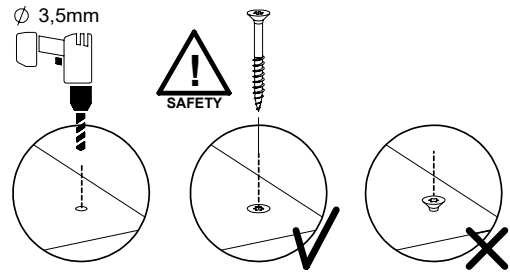
19 UB07a: Swing Mounting Set Uni - PART 1



Assembly Packs: 457_103 / 457_107 (Swing / Climb Kit)

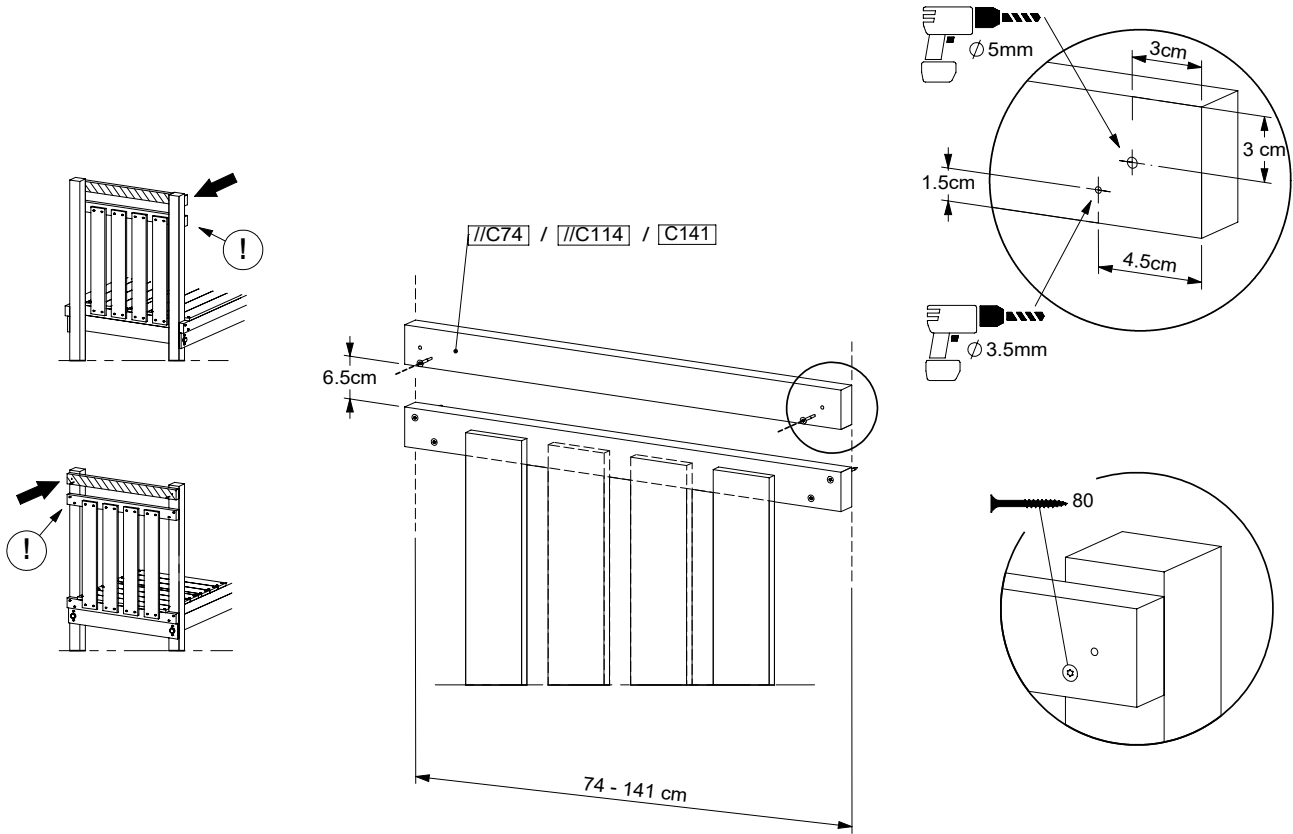
	PartNo	PartName	QTY.
Hardware	002_223	Gap Point Screw T25 - 5x80	2
Timber	C141	Beam 1410 mm	1
	D154	Board 1540 mm	1

Swing Mounting Set - P02 - 23/09/2024 - v1.0



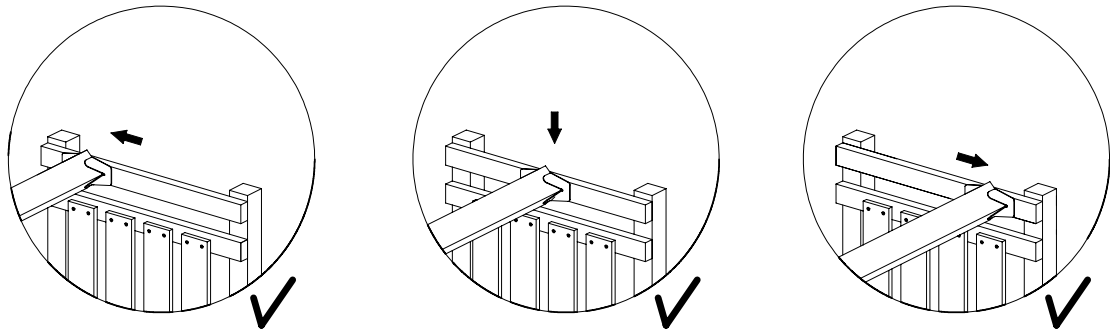
Swing Mounting Set - P03 - 23/09/2024 - v1.0

Manual ID: 048_067_2612

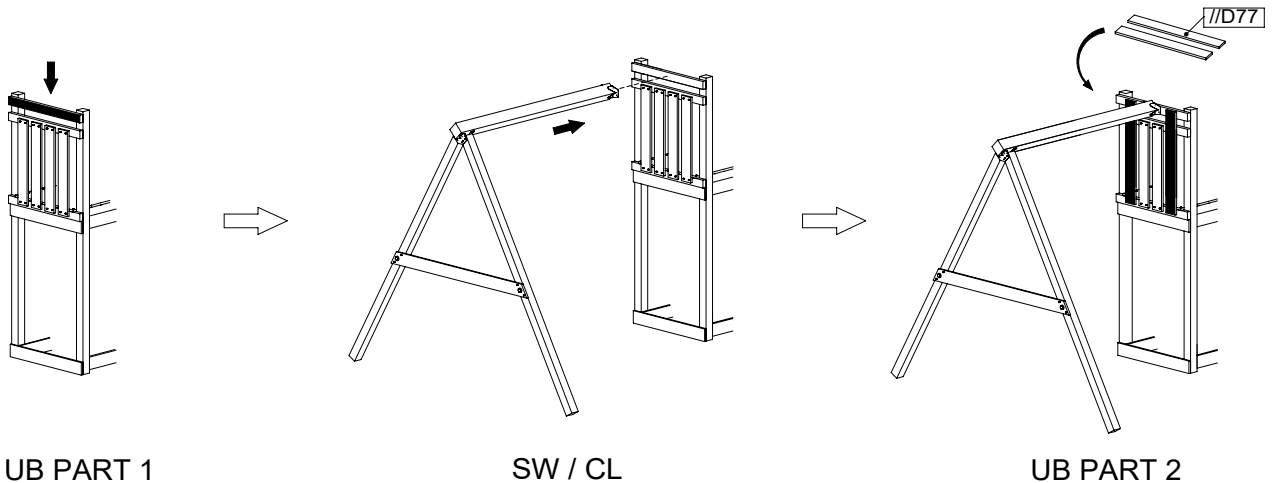


Swing Mounting Set - PM4 - 23/09/2024 - v1.0

Manual ID: 048_067_2612



Swing Mounting Set - P05 - 23/09/2024 - v1.0



UB PART 1

SW / CL

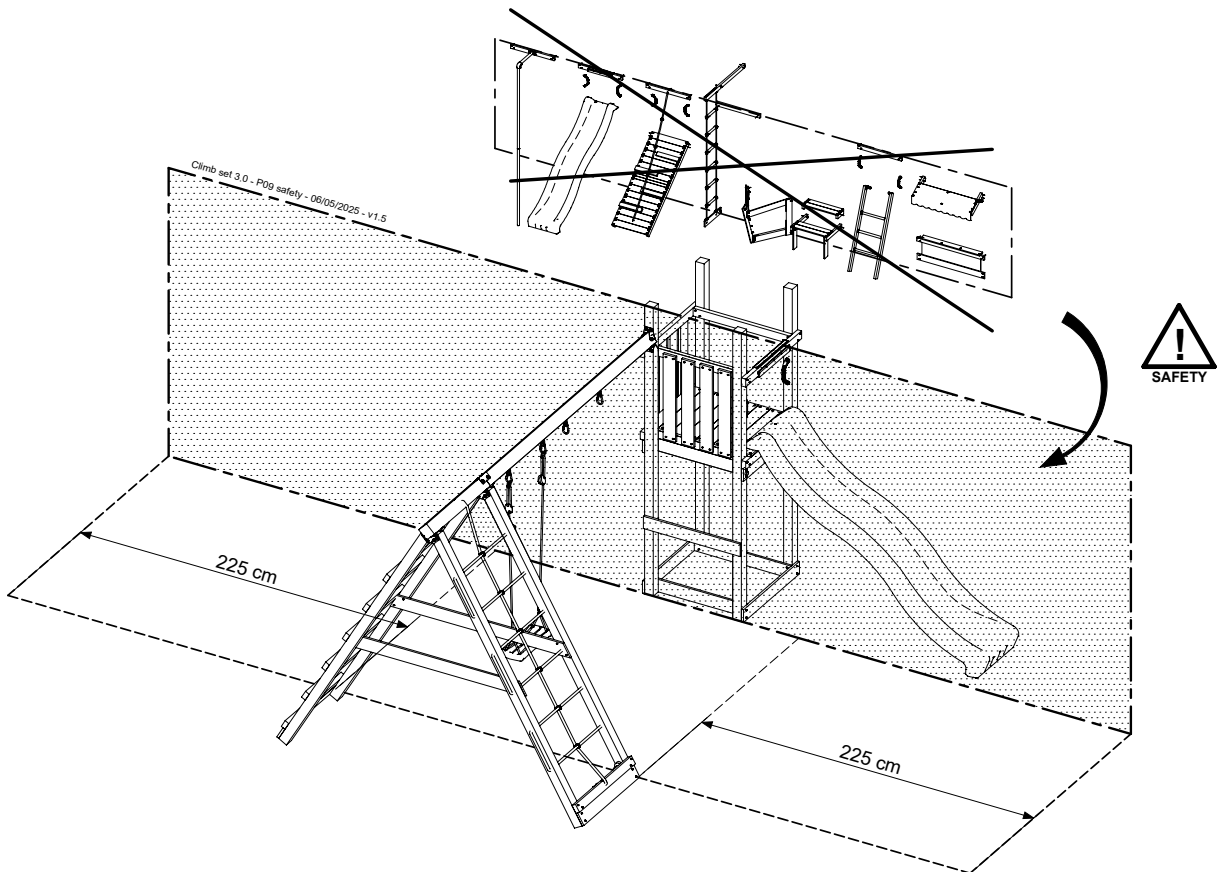
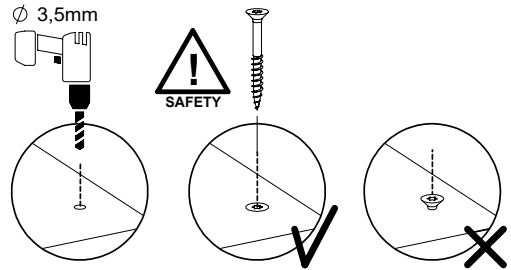
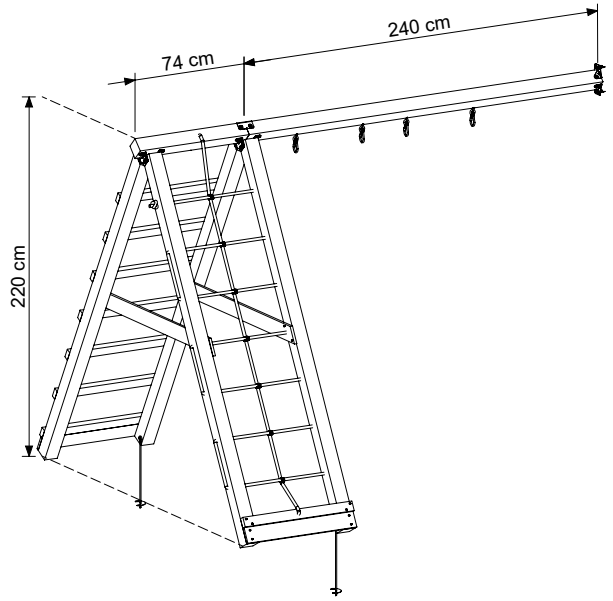
UB PART 2

20 CL22b: 2- Climb Module 220 Extra - 3.0

Assembly Kit: 457_107

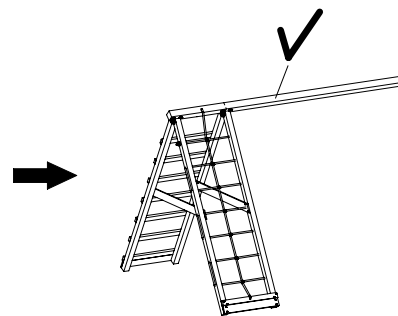
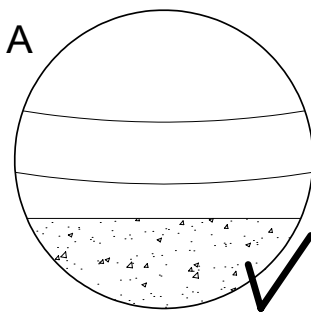
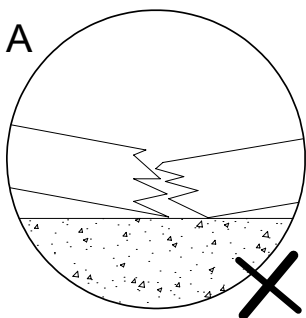
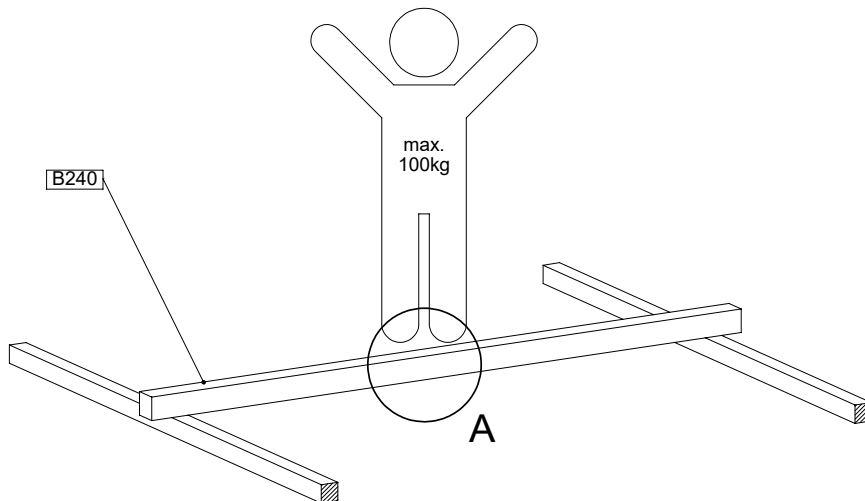
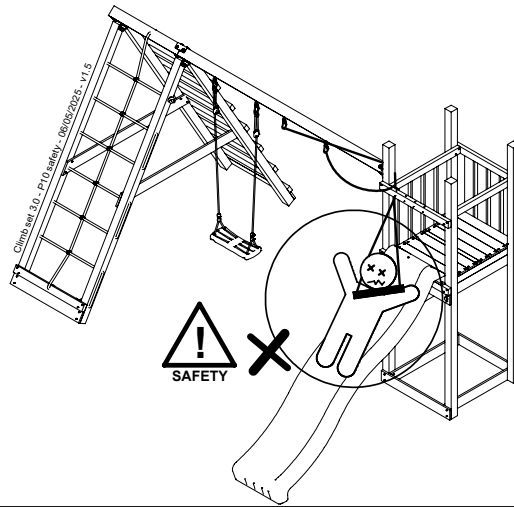
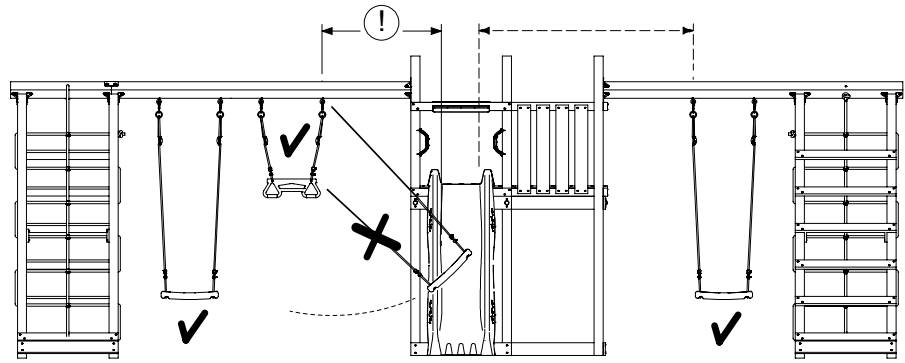
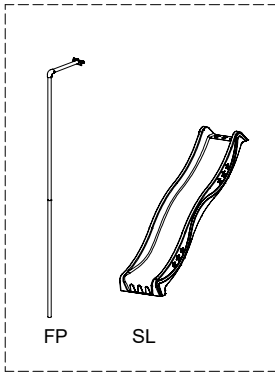
	PartNo	PartName	QTY.
Hardware + Parts	001_404	Stealth Screw 8x30	4
	001_406	Stealth Screw 8x45	34
	001_417	Stealth Screw 8x80	2
	002_220	Gap Point Screw T25 - 5x45	36
	002_223	Gap Point Screw T25 - 5x80	35
	002_301	Dry Wall Screw PH2 3.9 x 40 mm	7
	023_042	Nylon washer 9x19x1.5	36
	005_096	A-Frame V-Connector	4
	005_097	Swing V-Connector	2
	005_099	Climber Top Connector	1
	007_001	Ground-anchor	2
	020_317	Rope Polyester 16mm Green 3.4m	1
	020_318	Rope Polyester 16mm Green 8.1m	1
022_455	Rope Cross Connector Egg	7	
101_003	Swing hook with Carabiner	4	
Timber	B74	Post ca.90x90 L740	1
	B240	Post ca.90x90 L2400	5
	C74	Beam 740 mm	8
	D74	Board 740 mm	2
	D141	Board 1410 mm	3

Climb set 3.0 - P08 2C22bE - 06/05/2025 - v1.5



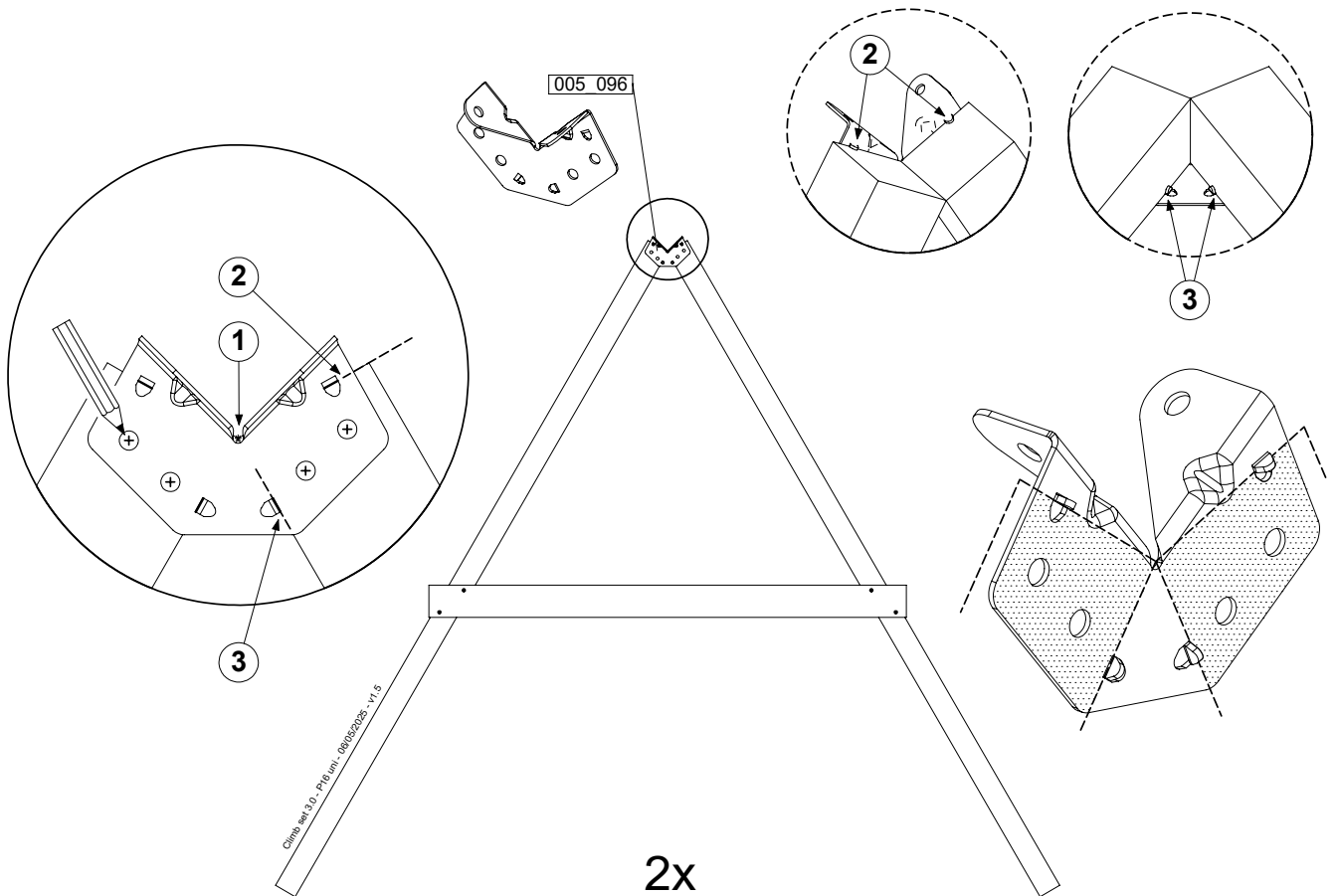
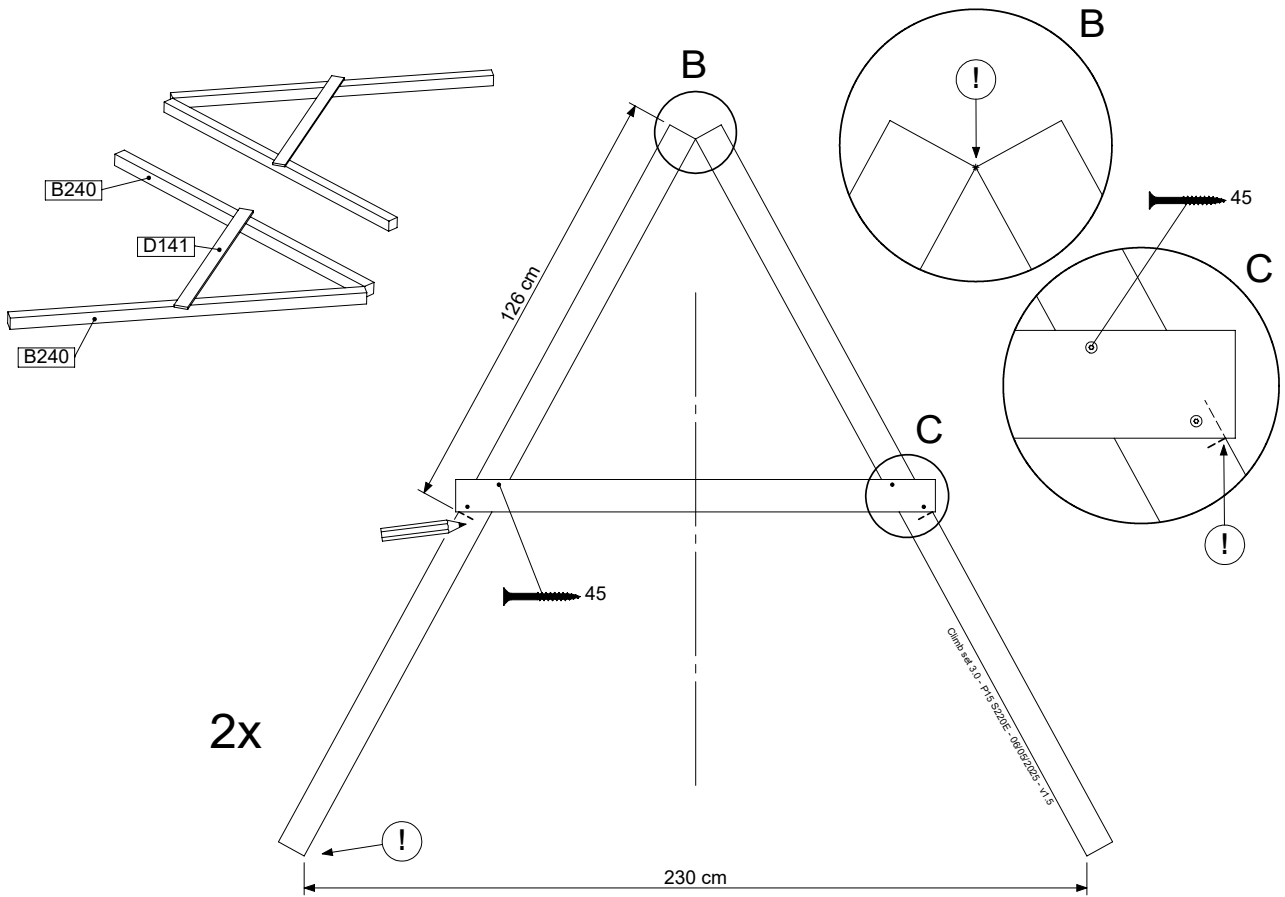
Manual ID: 048_067_2612

20.1



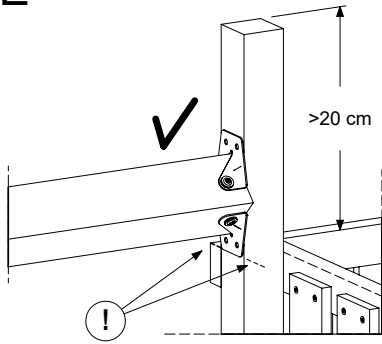
Climb set 3.0 - P12 25220 - 06/05/2025 - v1.5

Manual ID: 048_067_2612

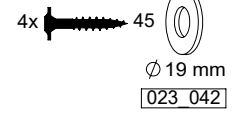
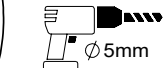
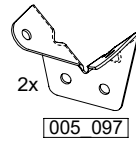
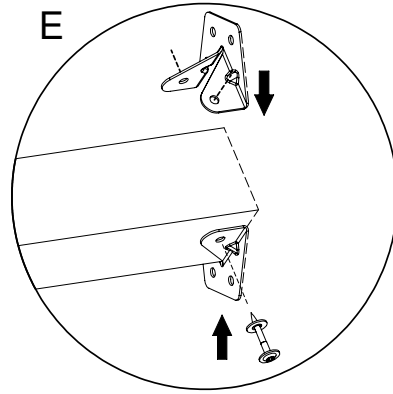


20.4

E

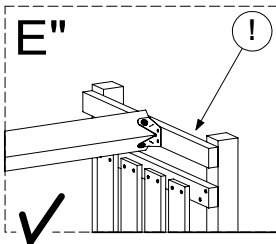
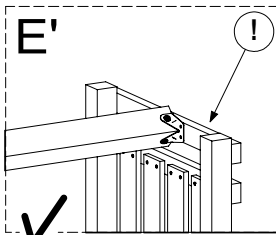
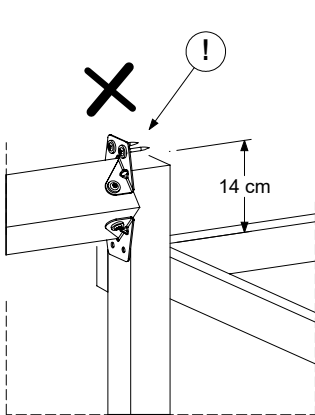


E

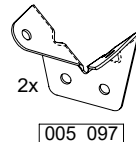
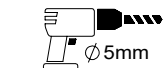
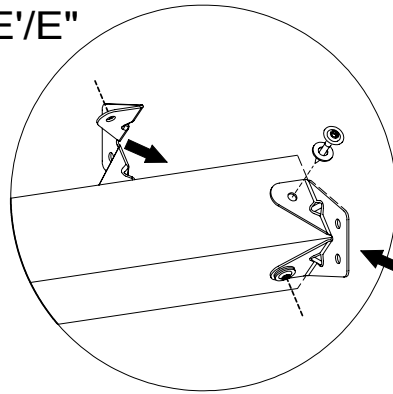


Climb set 3.0 - P23 uni - 06/05/2025 - v1.5

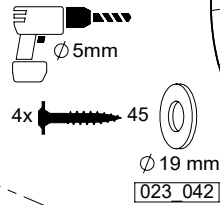
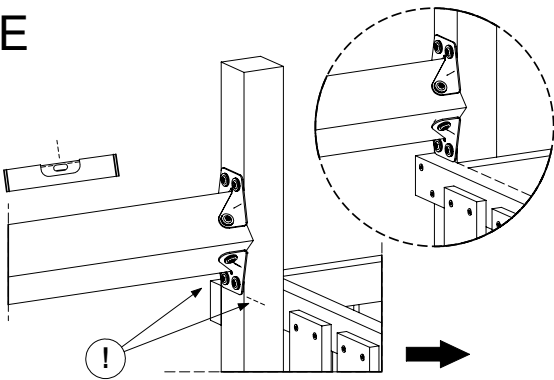
E'/E''



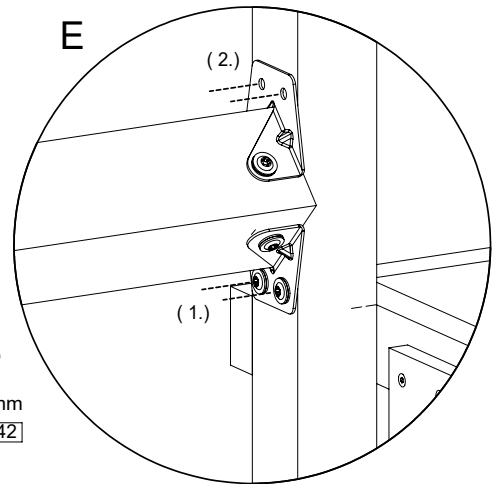
E'/E''



E

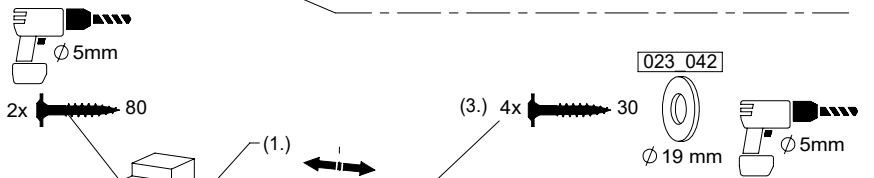
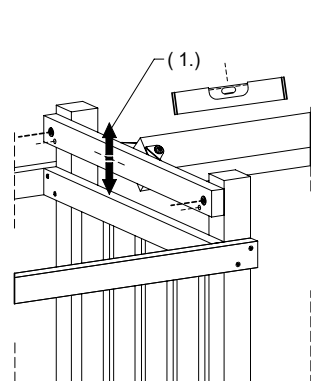


E



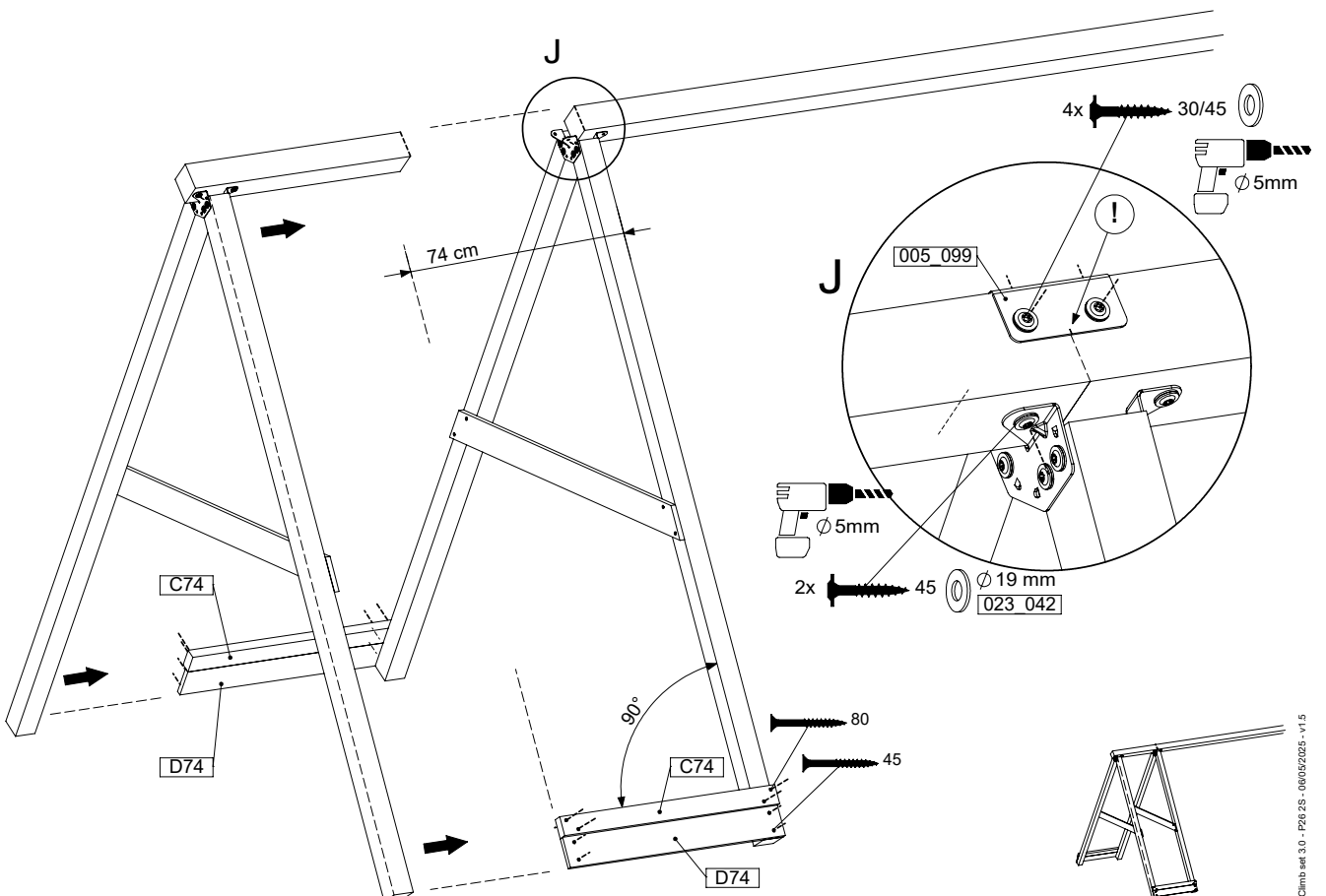
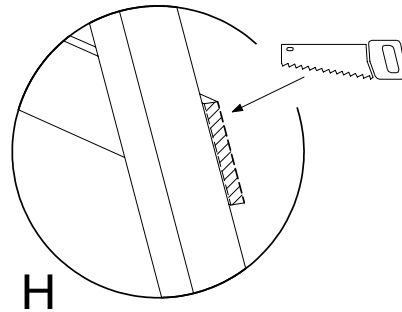
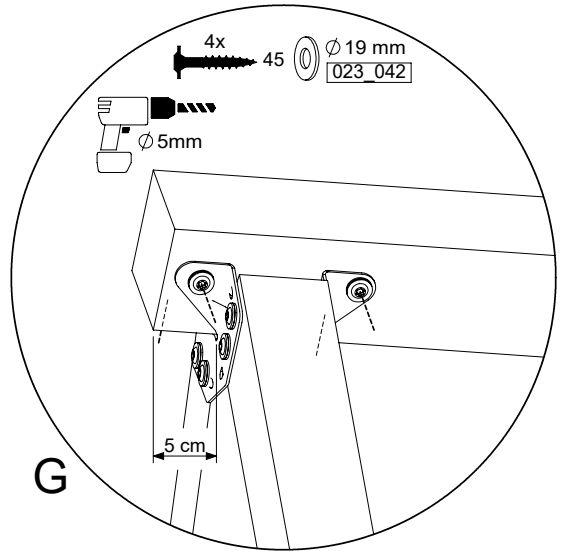
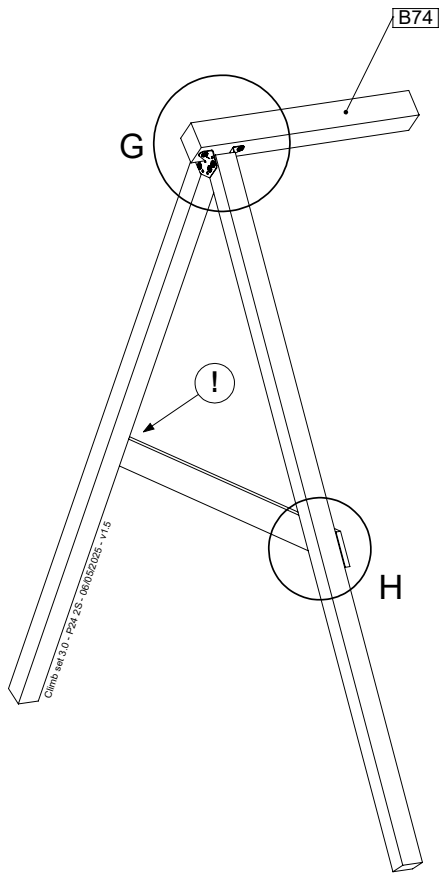
Climb set 3.0 - P23 uni - 06/05/2025 - v1.5

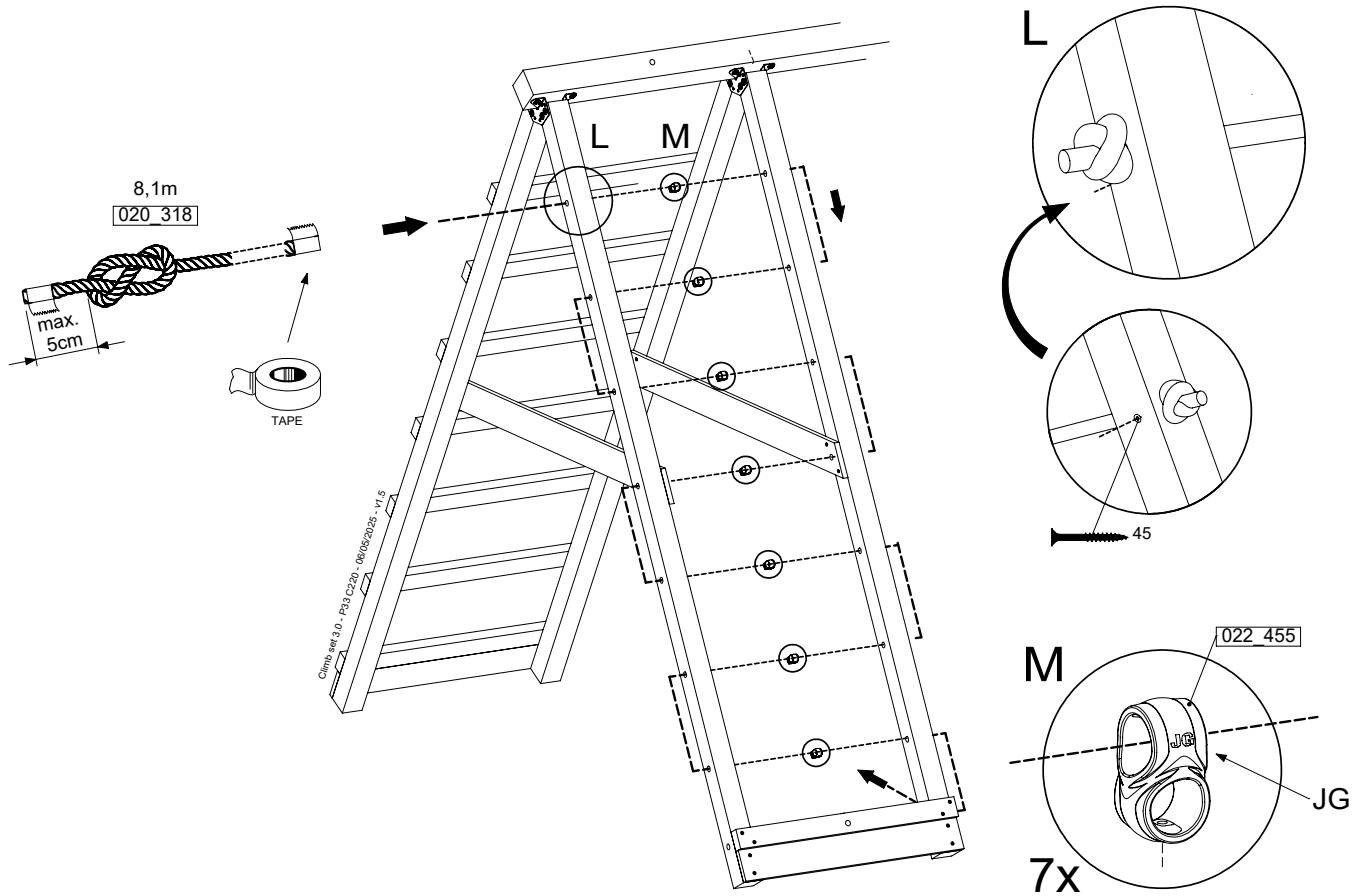
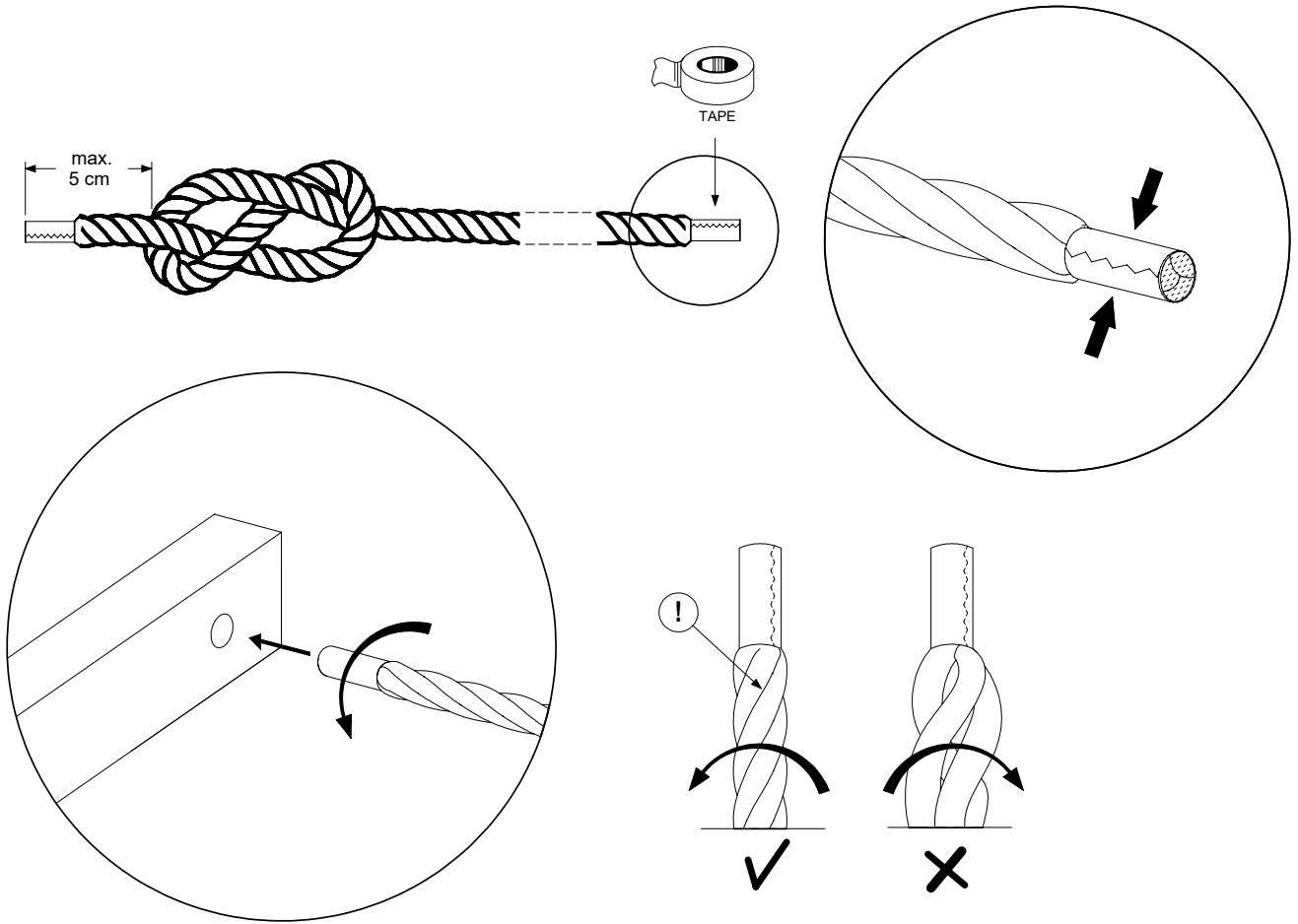
E'/E''

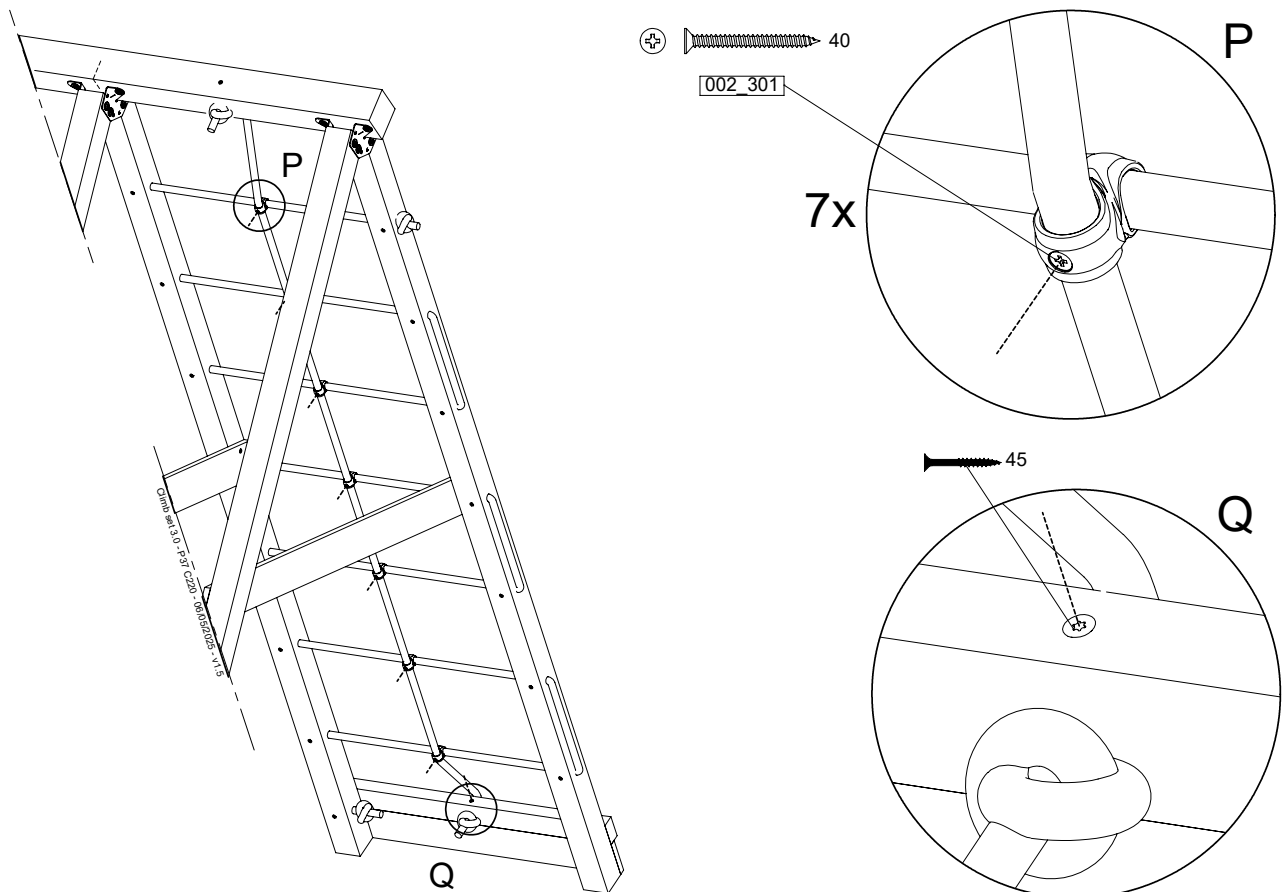
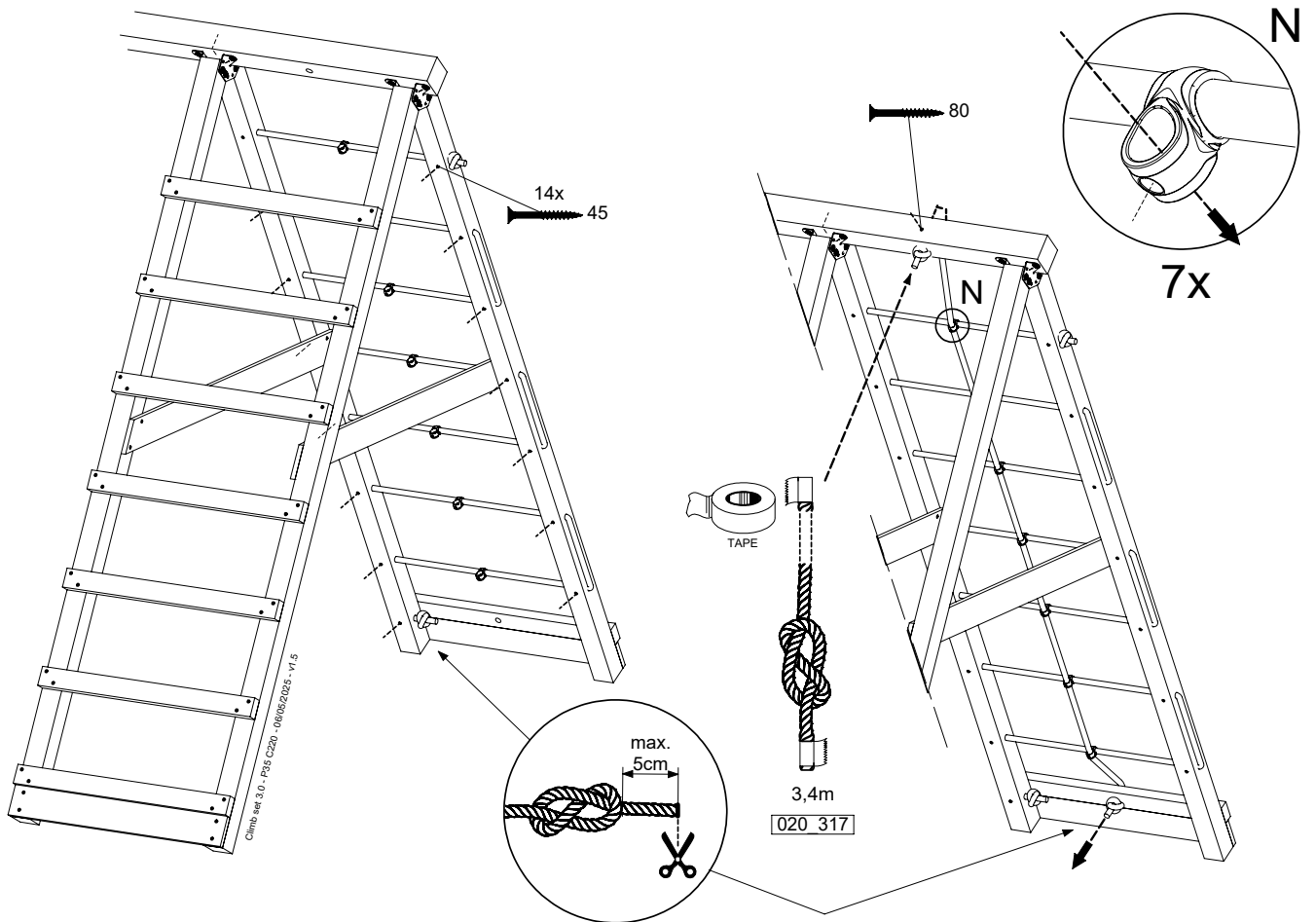


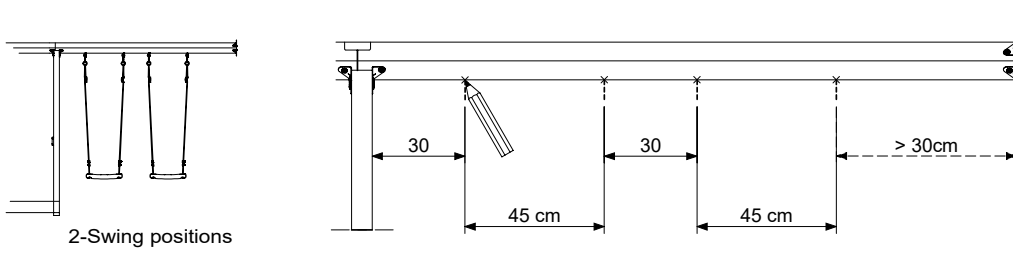
E'

(E'')

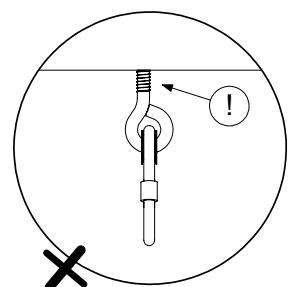
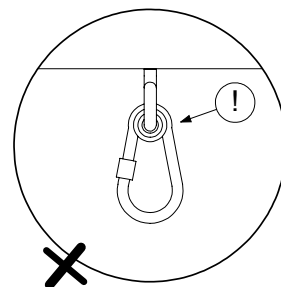
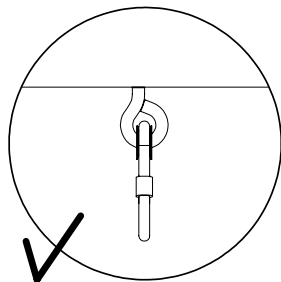
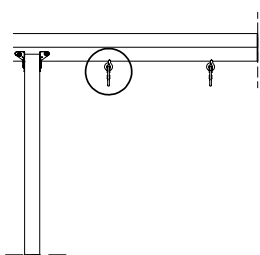
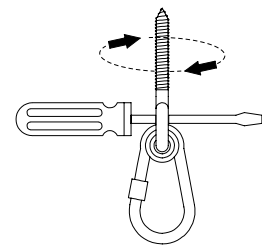
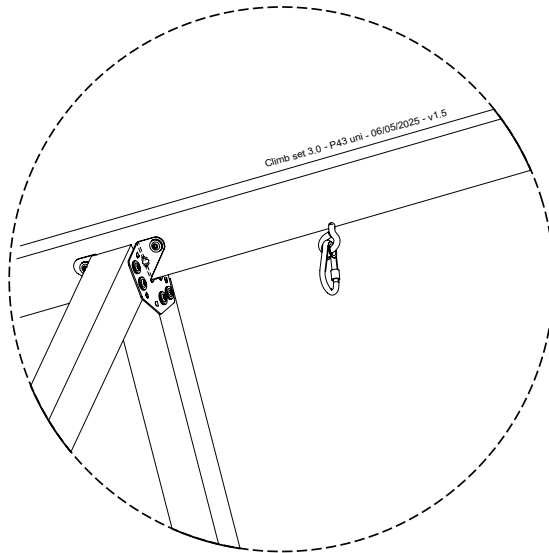
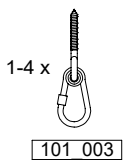
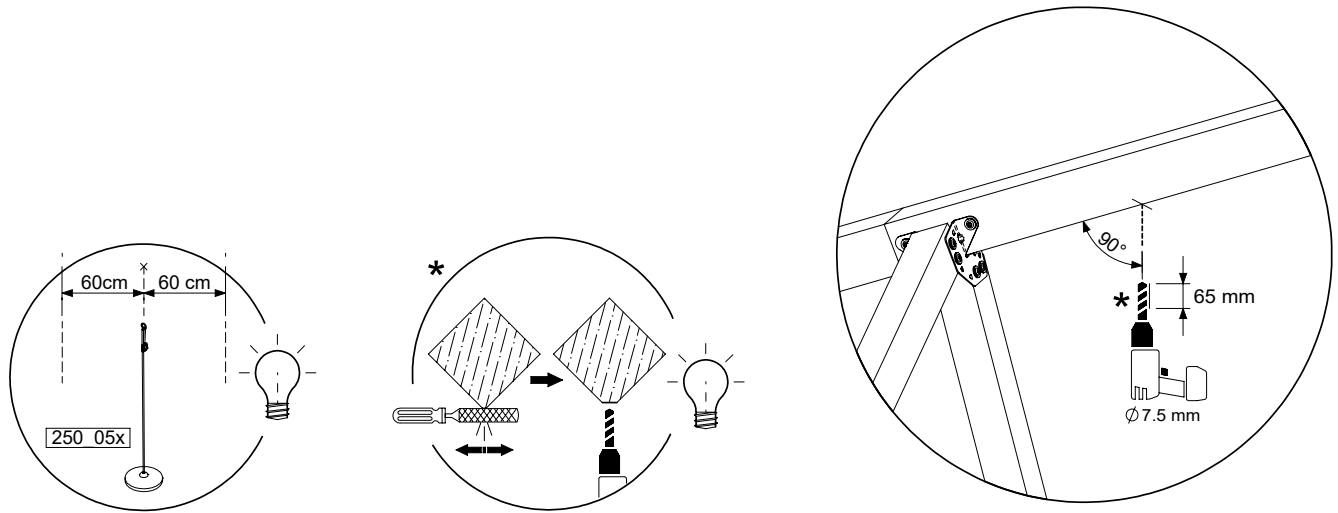


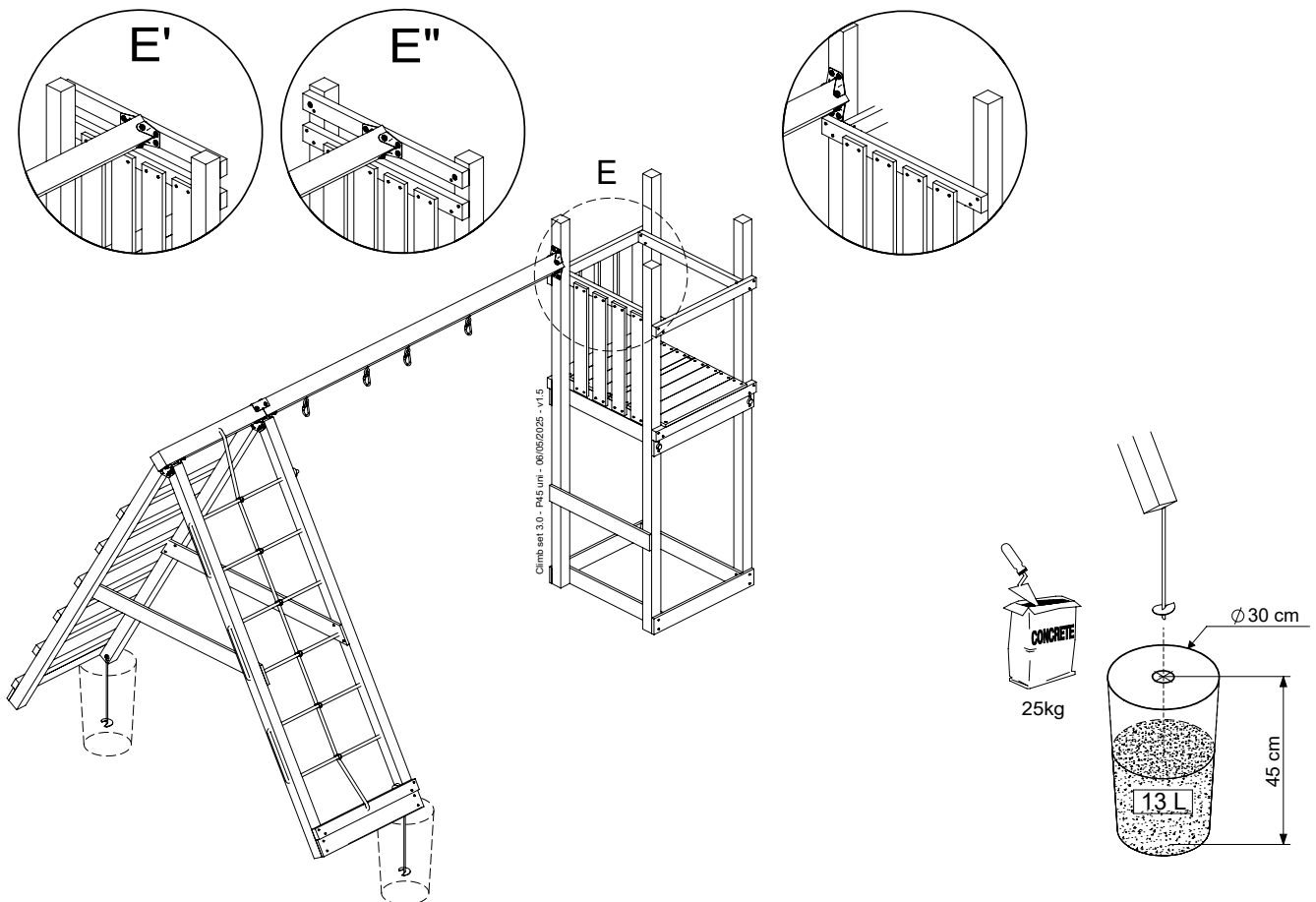
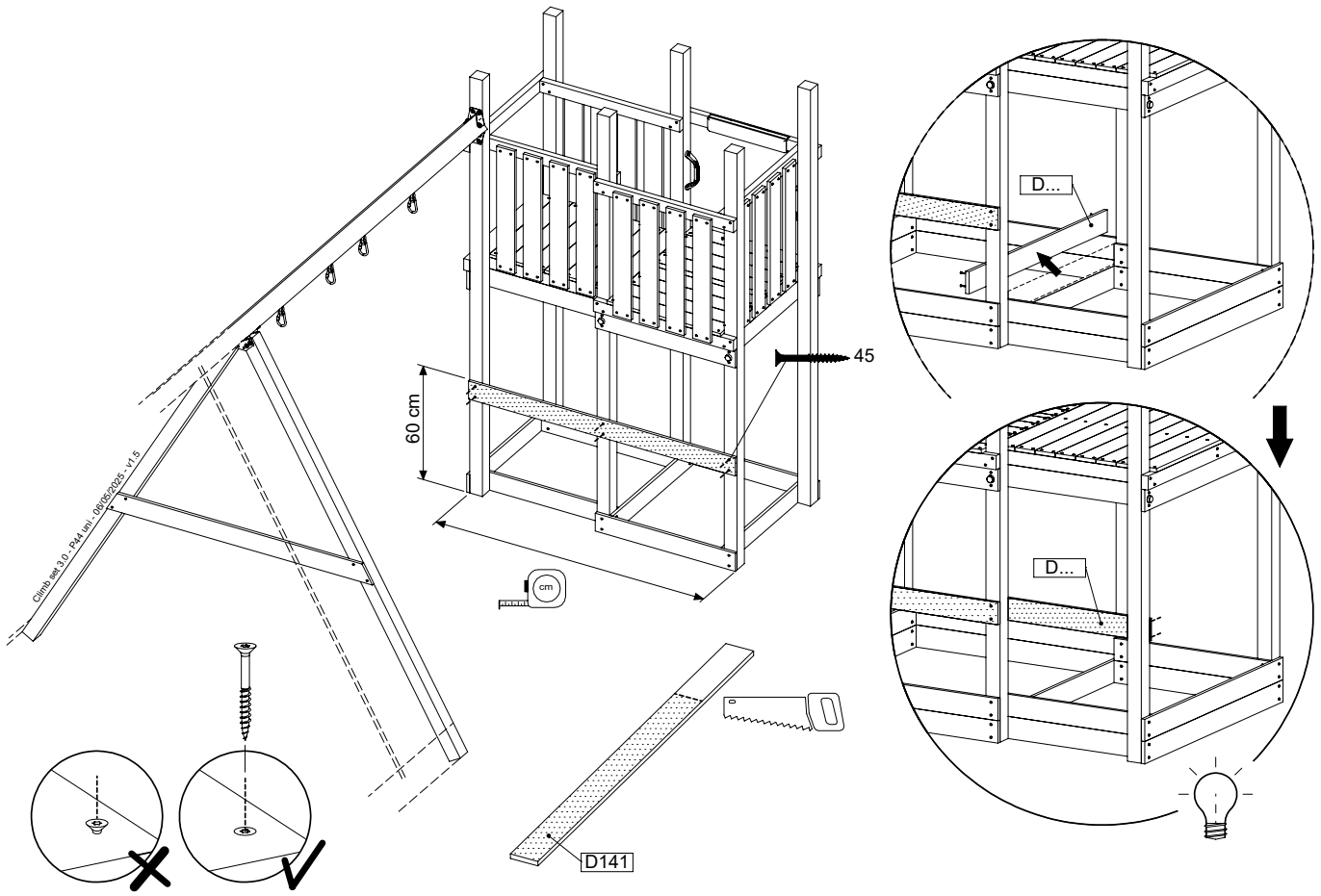


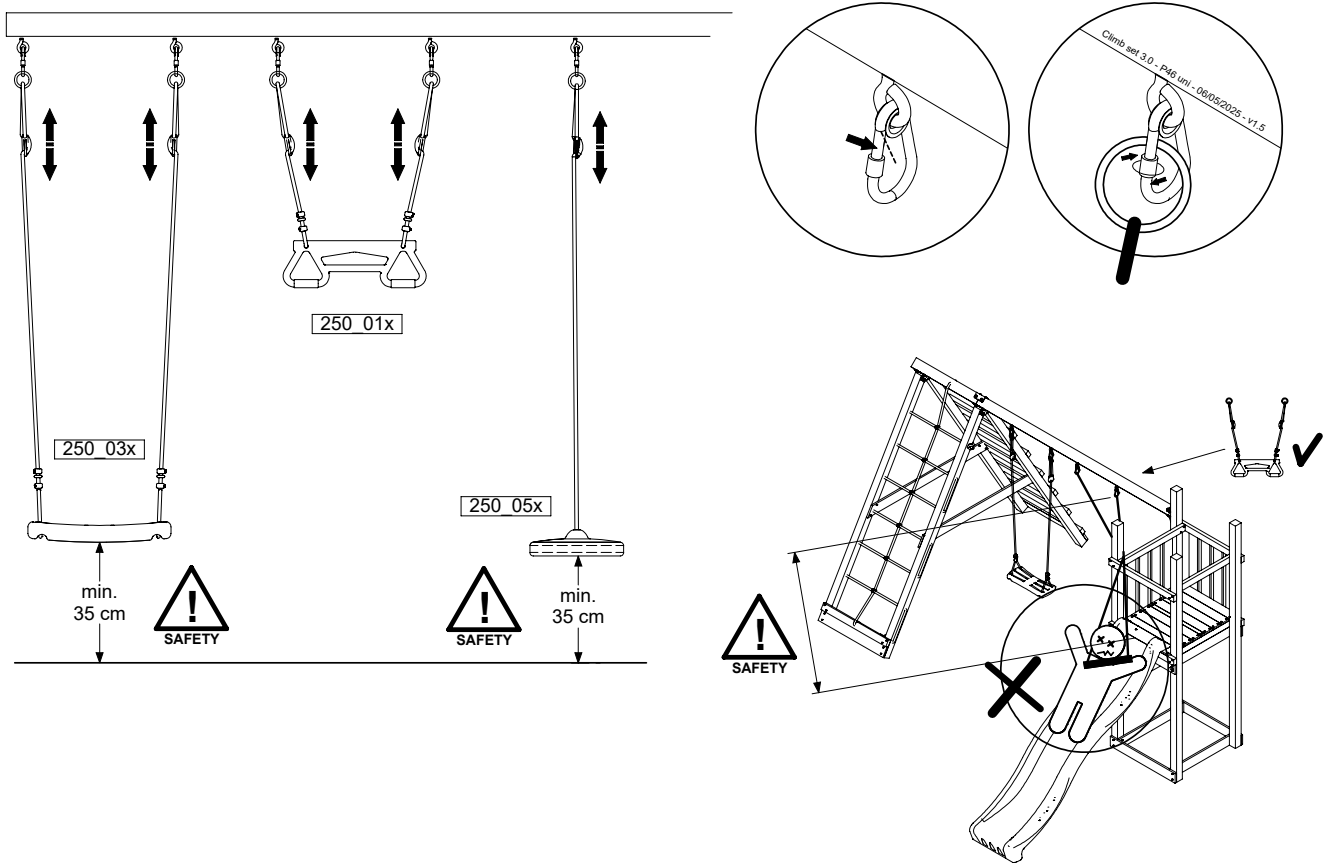




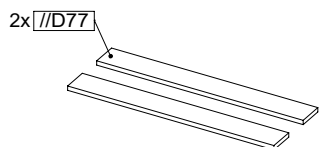
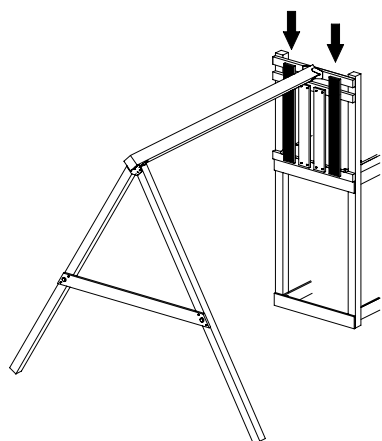
2-Swing positions



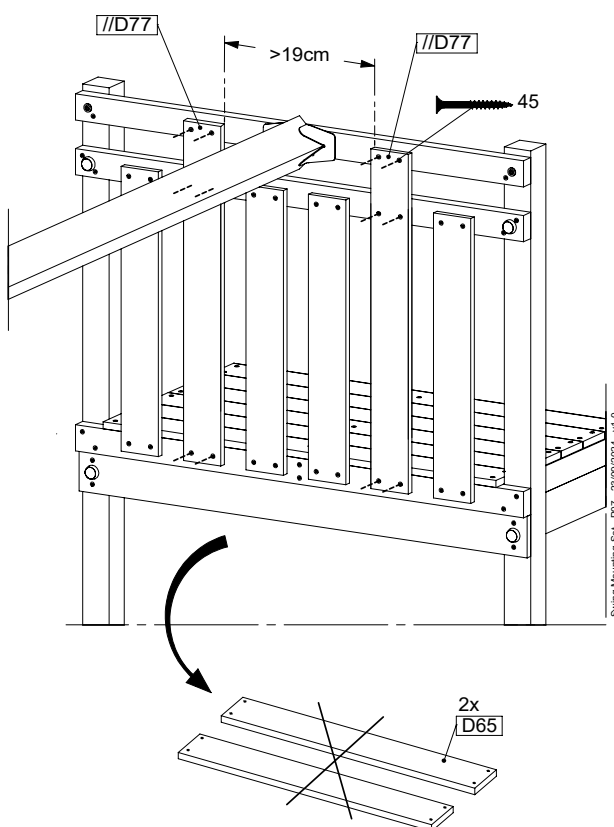
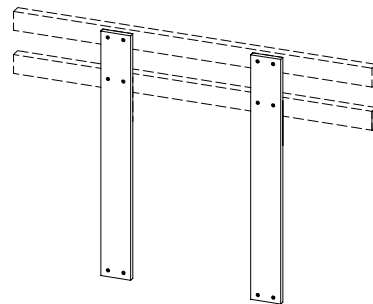




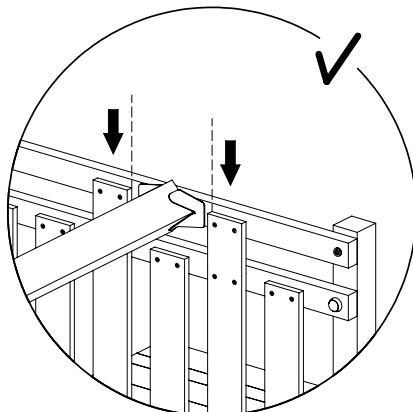
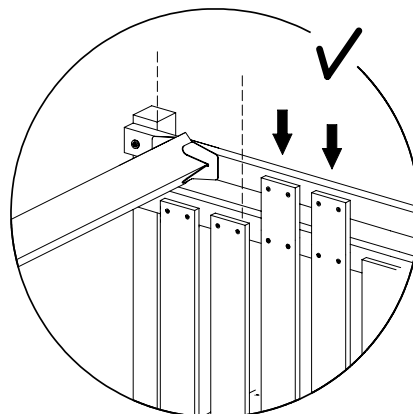
21 UB07a: Swing Mounting Set Uni - PART 2



Swing Mounting Set - P06 - 23/09/2024 - v1.0



Swing Mounting Set - P07 - 23/09/2024 - v1.0



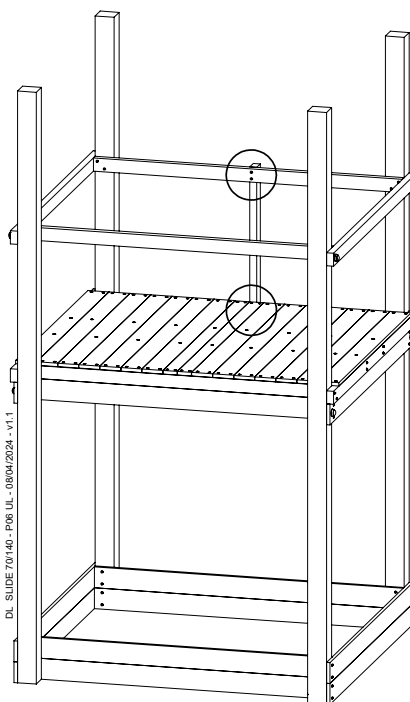
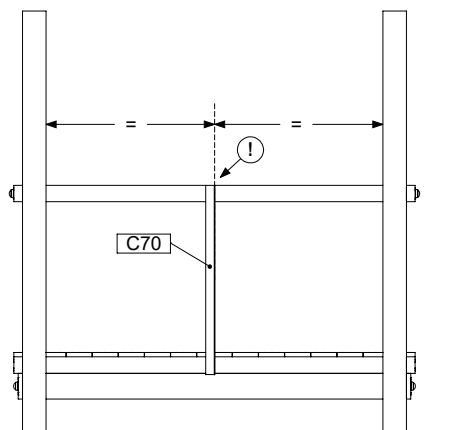
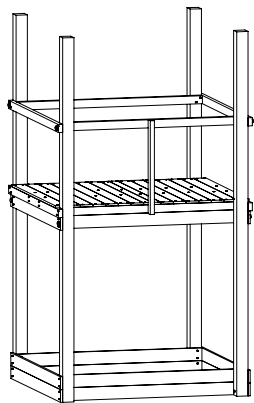
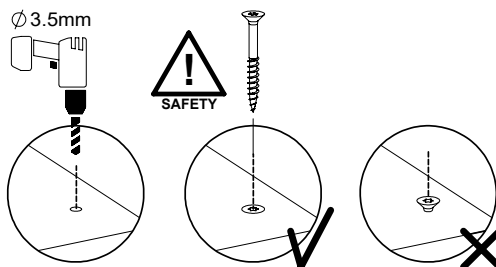
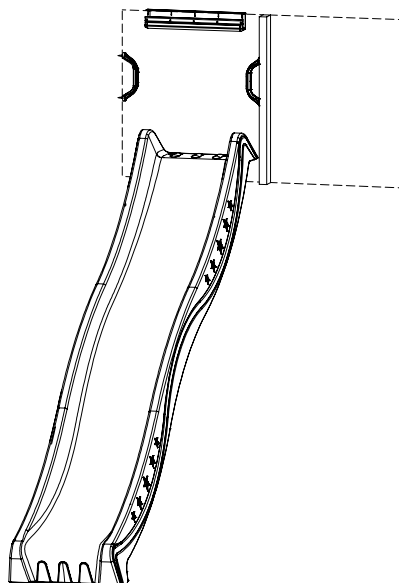
Manual ID: 048_067_2612

22 SL26a: Slide 140 145 U Left

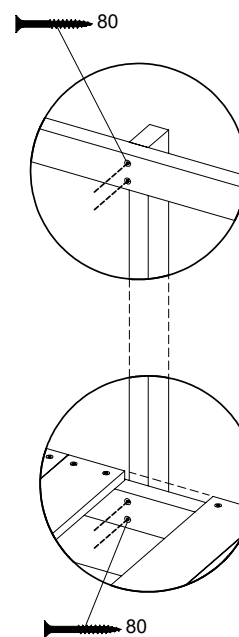
Assembly Pack: 194_107

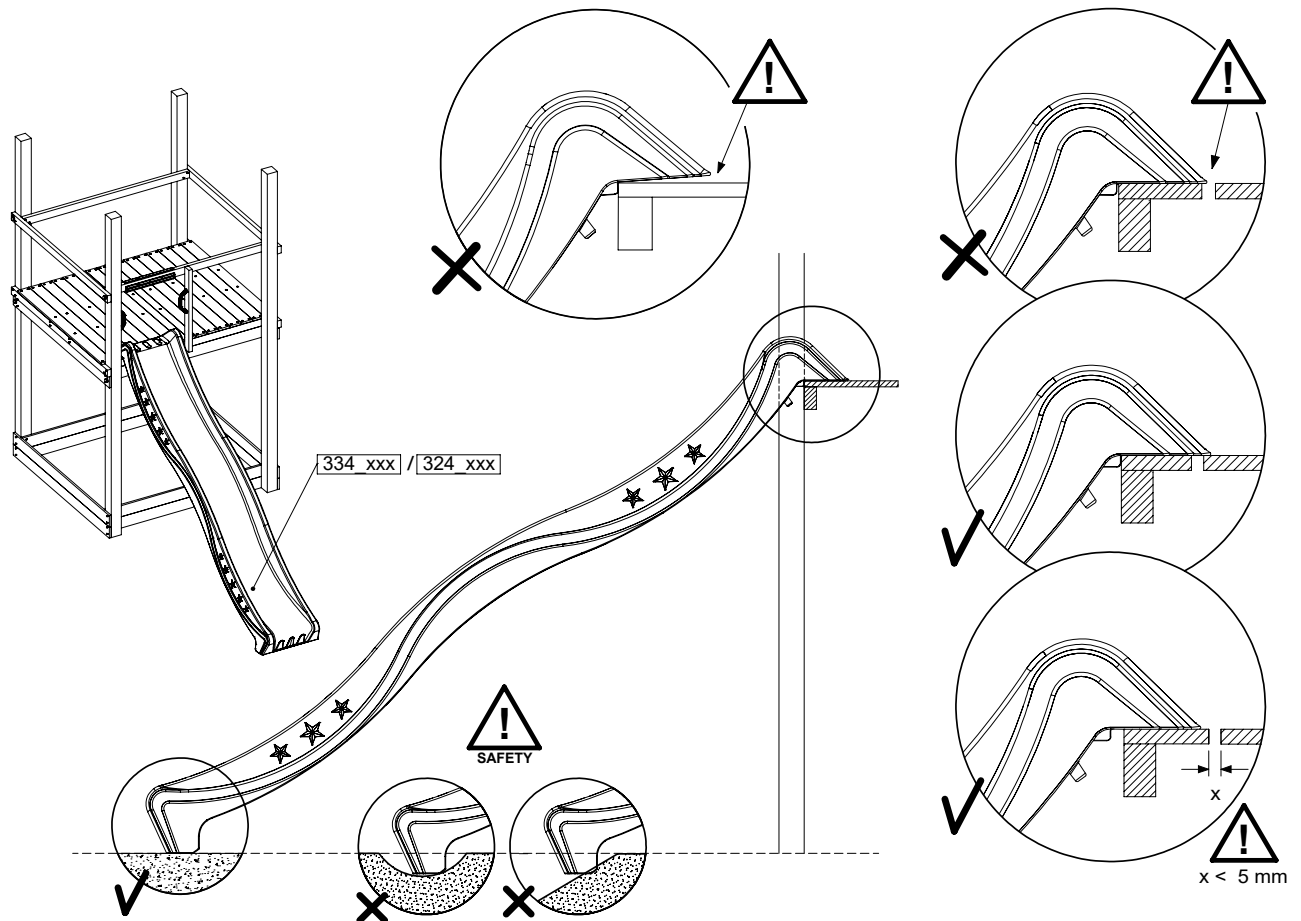
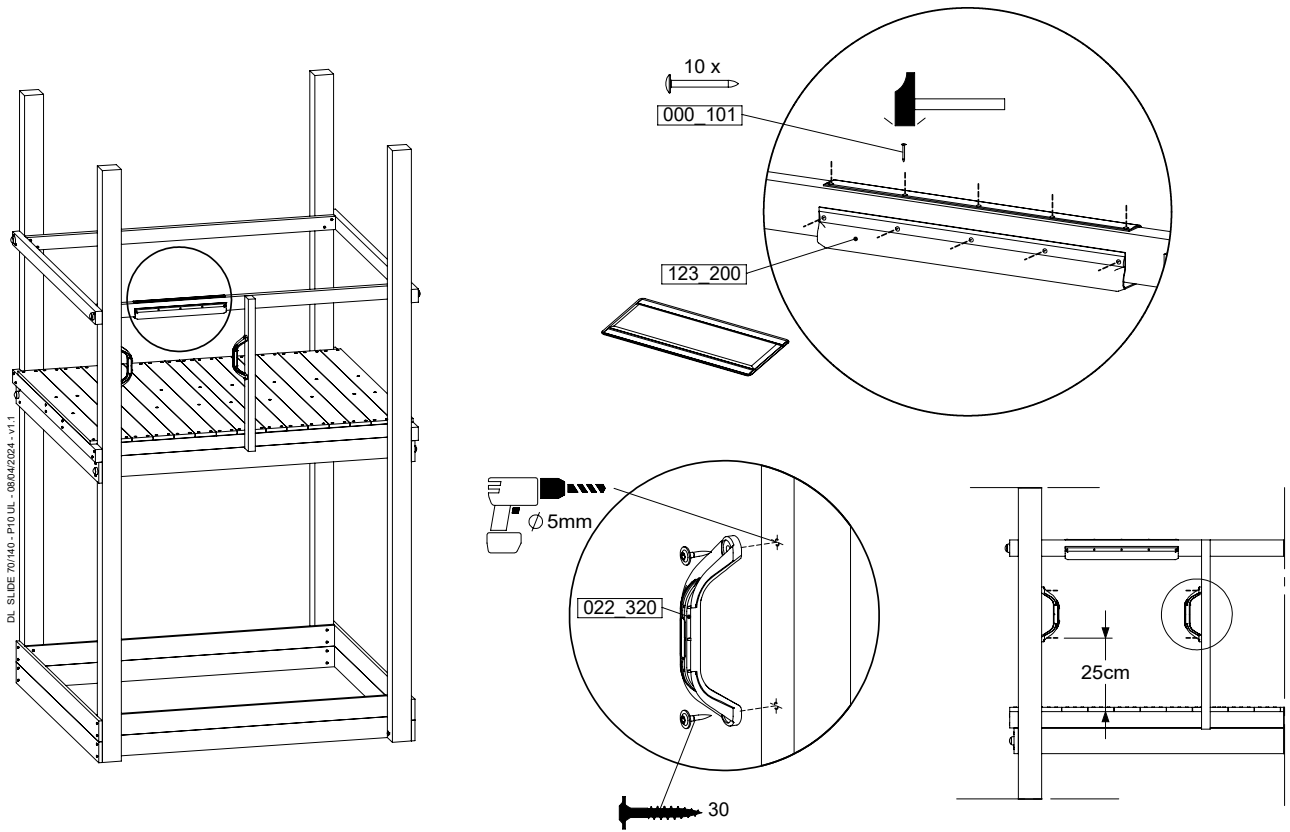
	PartNo	PartName	QTY.
Hardware pack	000_101	Nail Pan Head	10
	002_223	Gap Point Screw T25 - 5x80	4
	002_308	Gap Point Screw T25 - 5x20	2
Other	120_102	Handgrip set (complete 2x)	1
	123_200	Bumperpad	1
	334_xxx / 324_xxx	Wavy Star Slide XXL 2650 mm / Wavy Star Slide XL 2200 mm	1
Timber	C70	Beam 700 mm	1

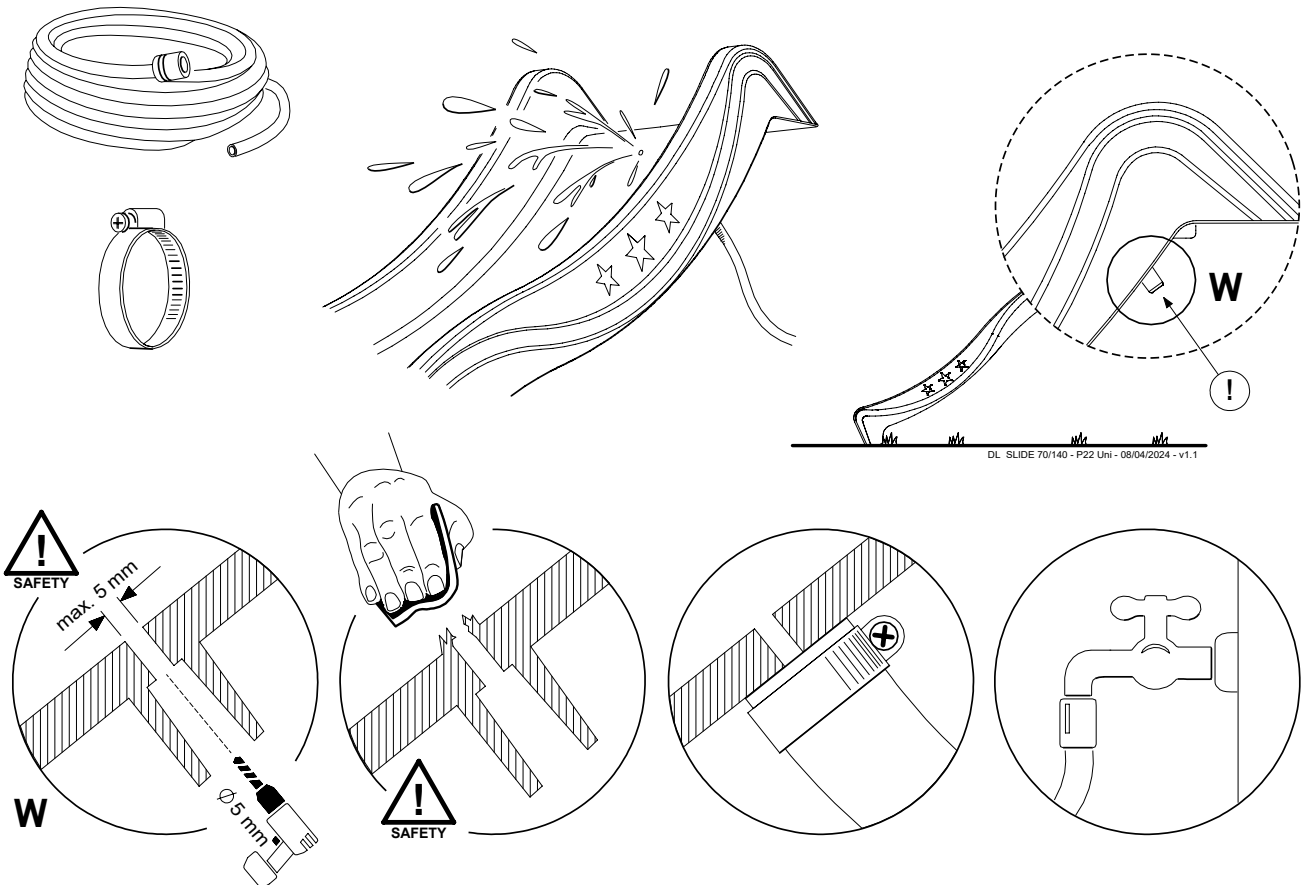
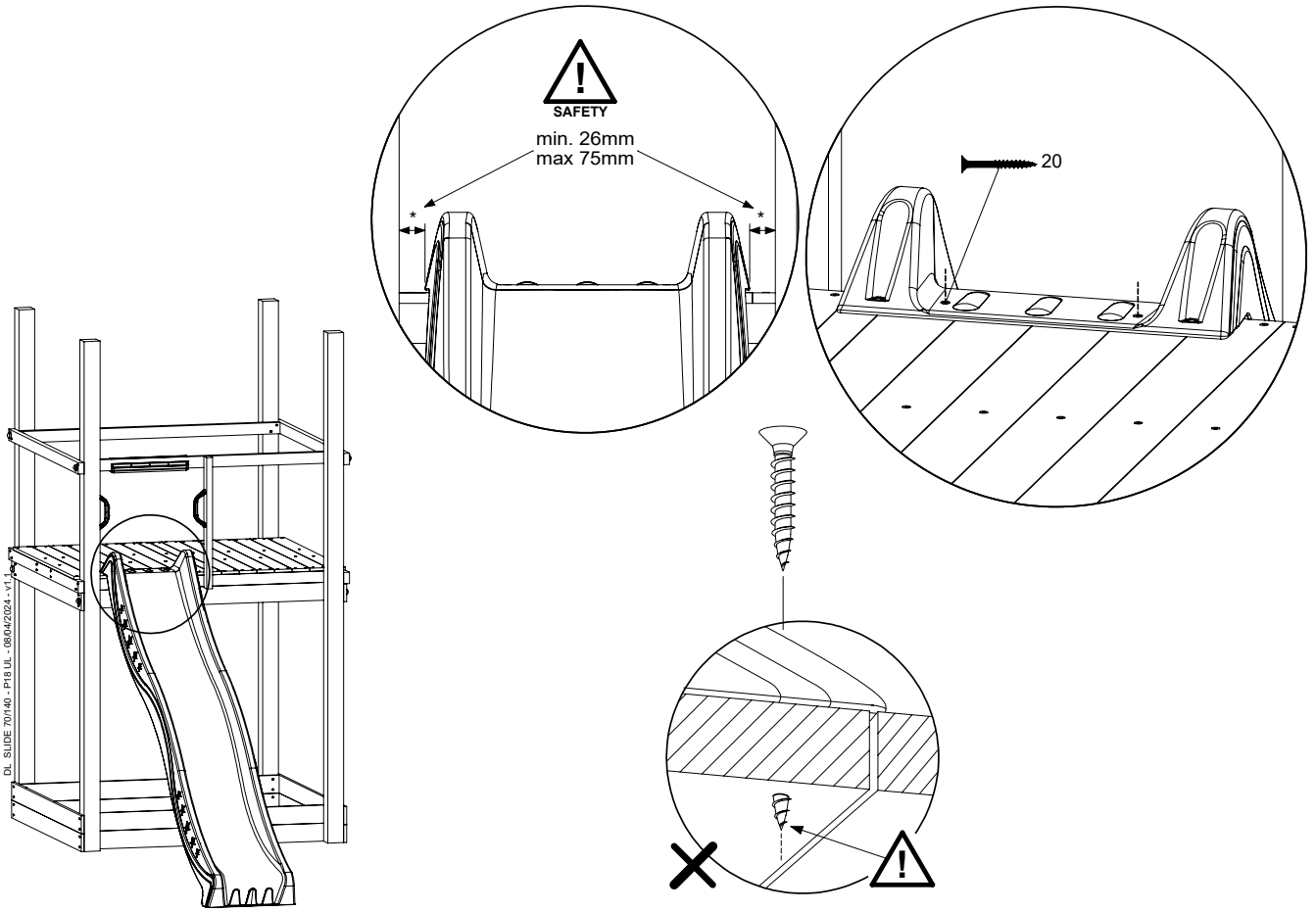
DL SLIDE 70/140 - P02 UL - 08/04/2024 - v1.1



DL SLIDE 70/140 - P06 UL - 08/04/2024 - v1.1





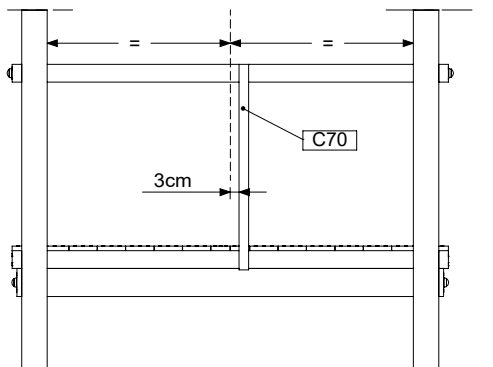
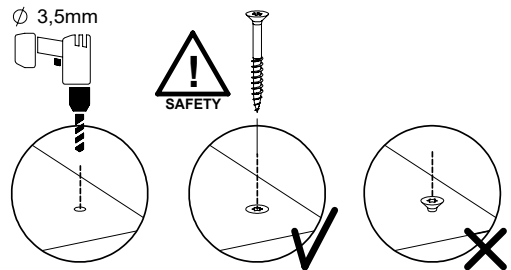
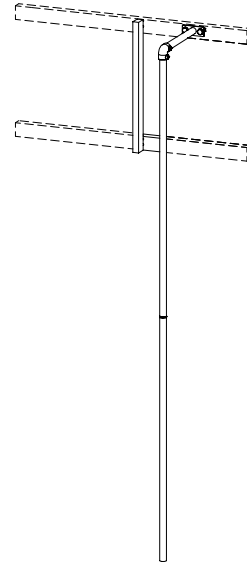


23 FP26a: Fireman's pole 140 Right U

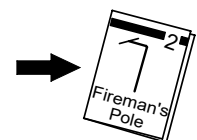
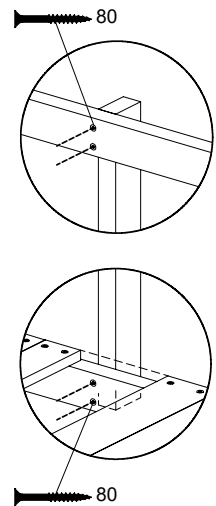
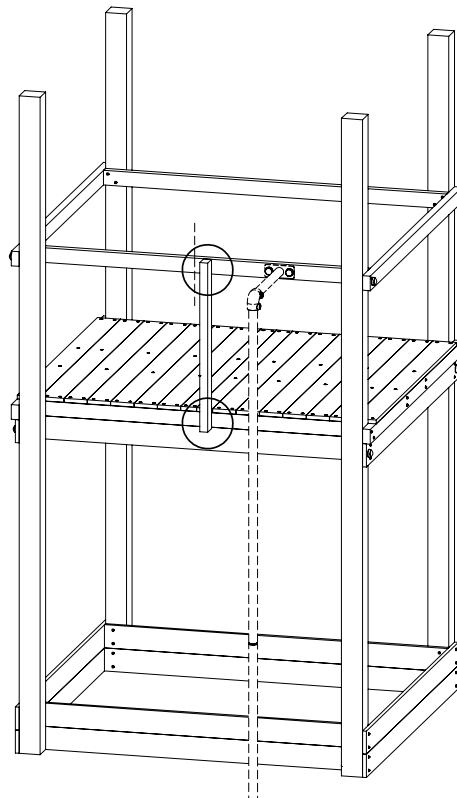
(201_275)

	PartNo	PartName	QTY.
Other	201_275	Fireman's Pole kit (incl. 4x Screw T25 5x80)	1
Timber	C70	Beam 700 mm	1

DL_Fireman's Pole 70 - P03 UR - 20/04/2023 - v1



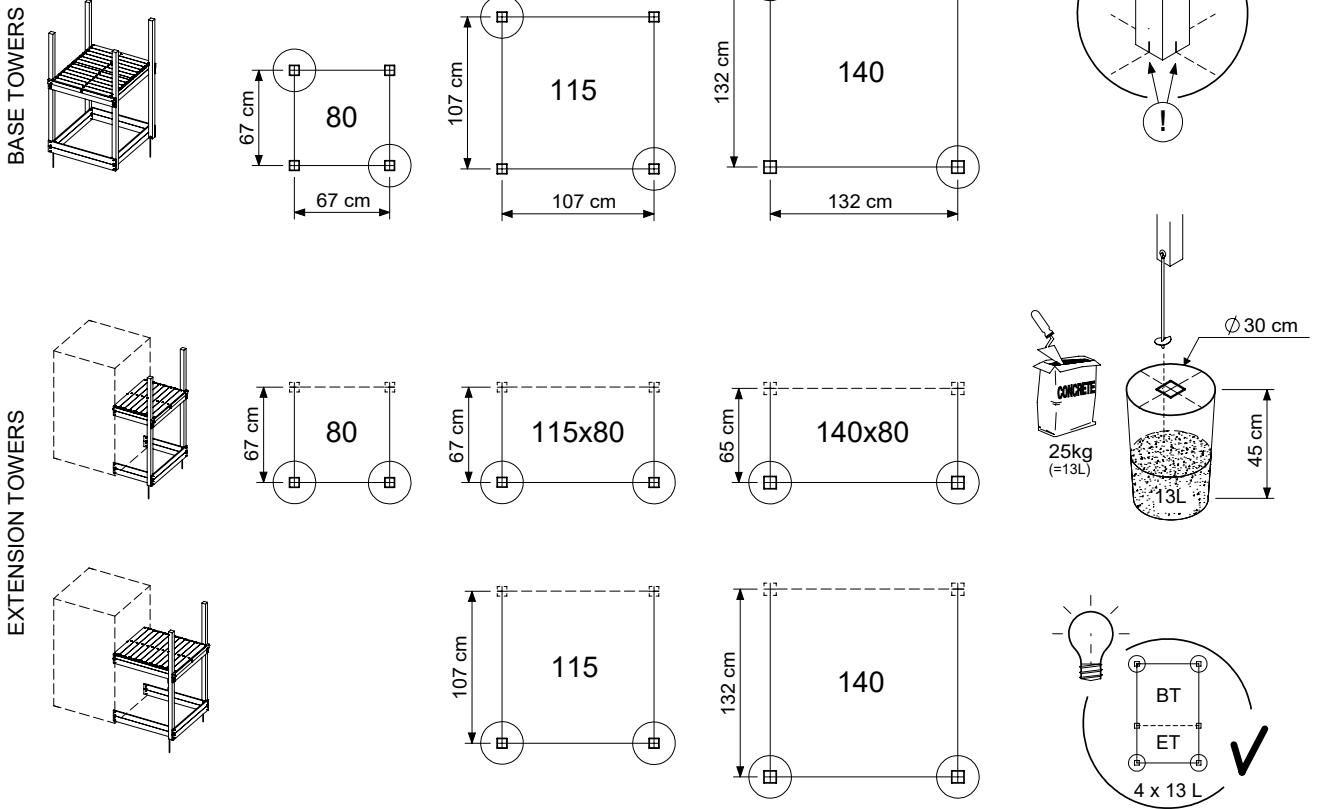
DL_Fireman's Pole 70 - P07 UR - 20/04/2023 - v1



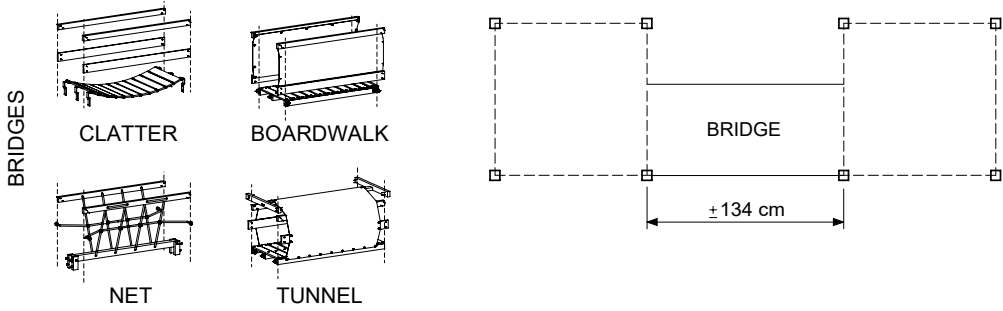
Fireman's Pole (201_275)
040_335 Part 2

Manual ID: 048_067_2612

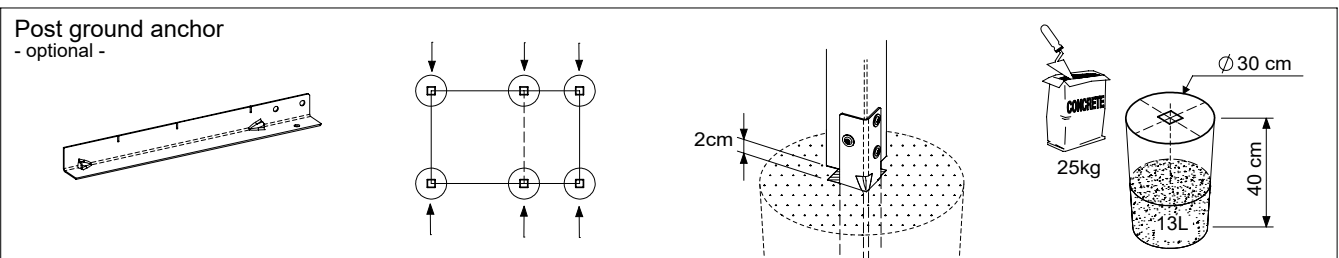
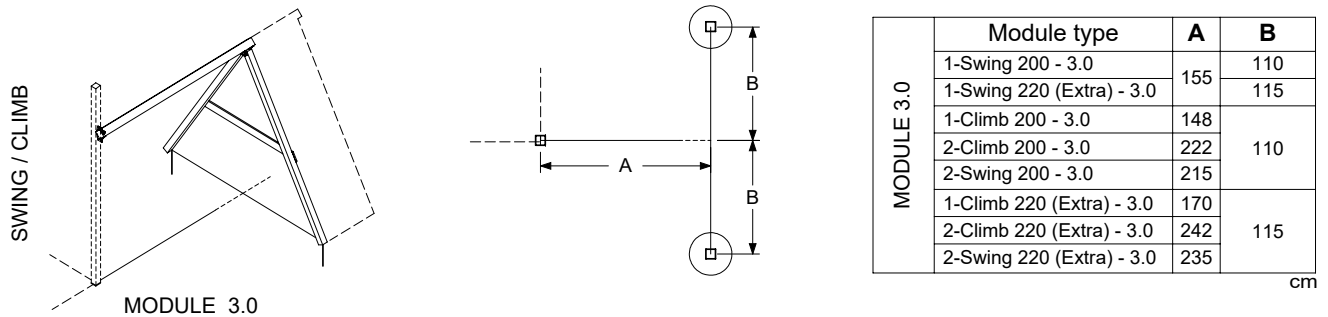
24 GA: Ground Anchors



Ground Anchors, Uni. - P03 - 22/07/2025 - V2.3

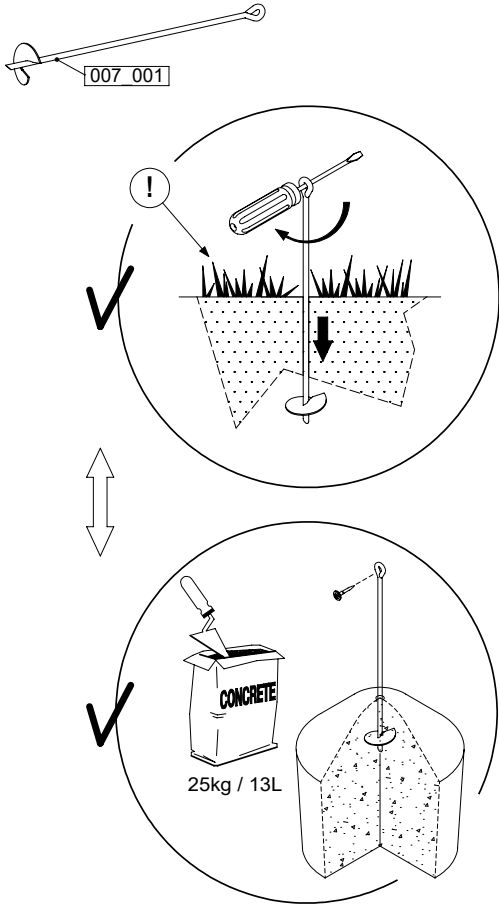


Ground Anchors, Uni. - P04 - 22/07/2025 - V2.3

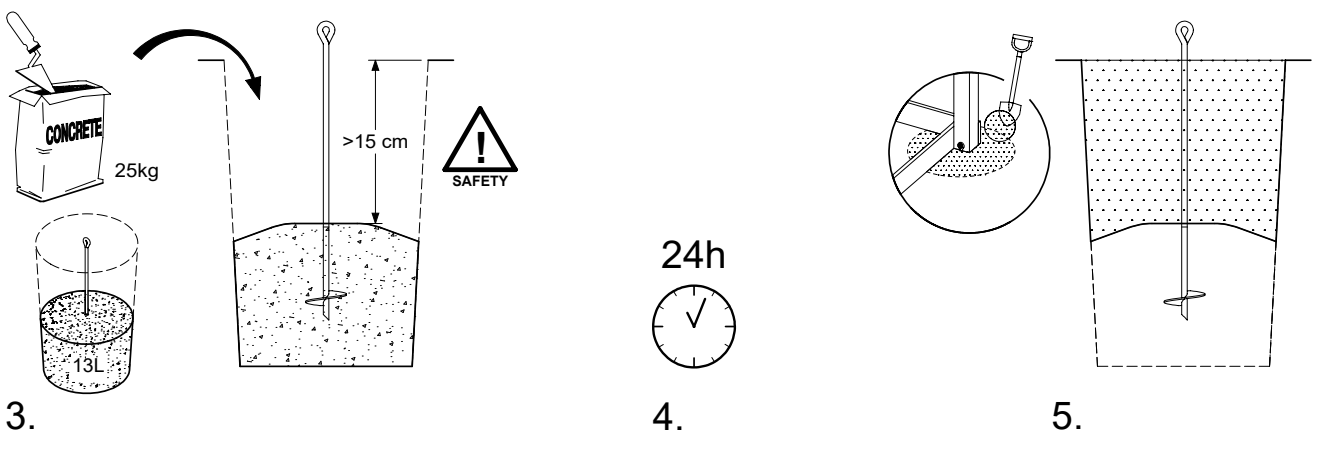
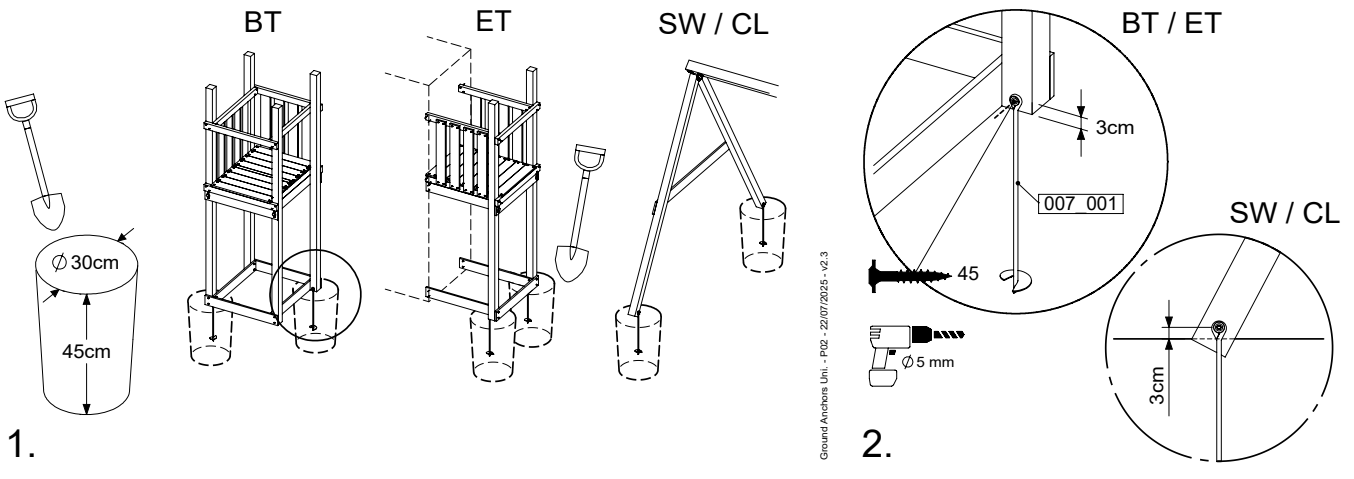
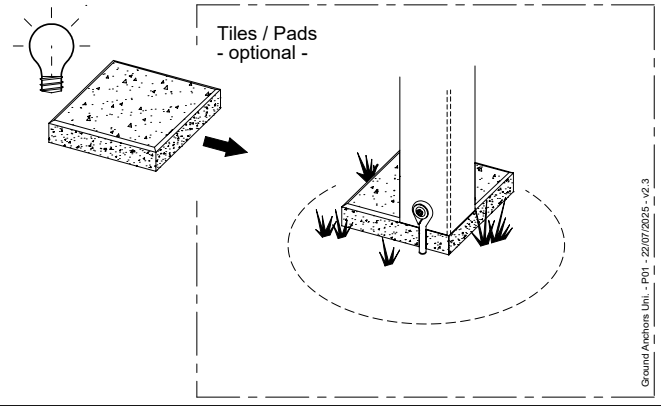
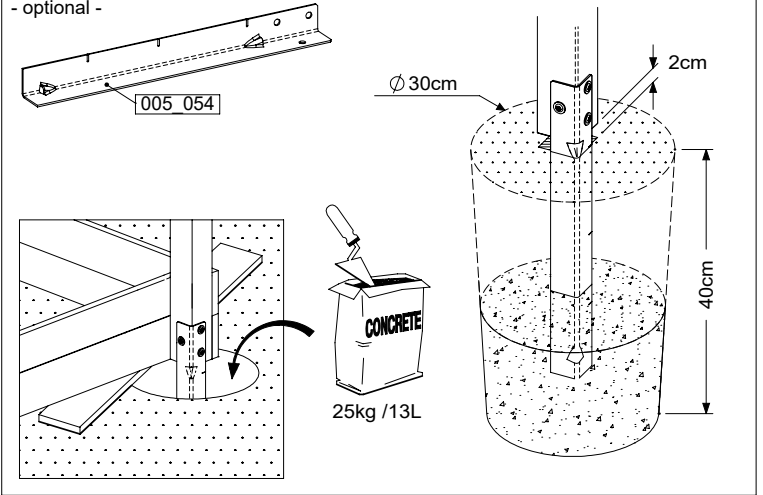


24.1

Screw-in ground anchor



Post ground anchor - optional -

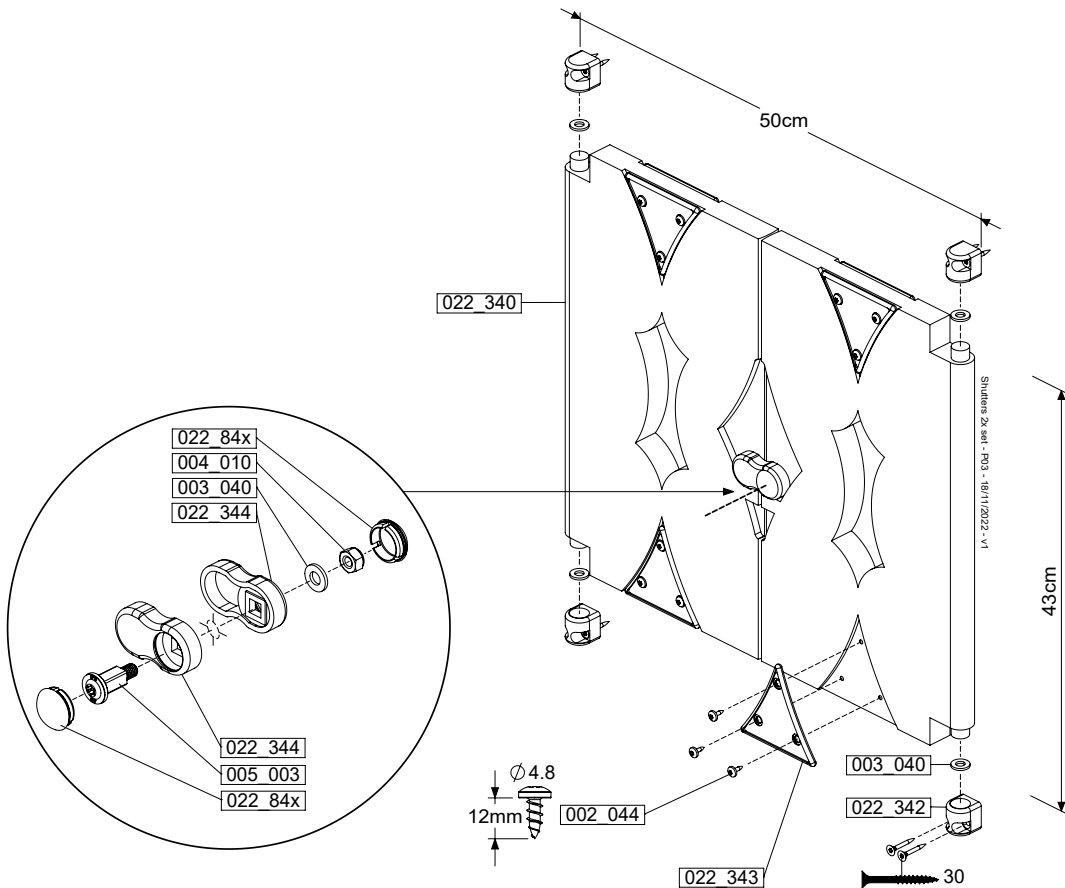
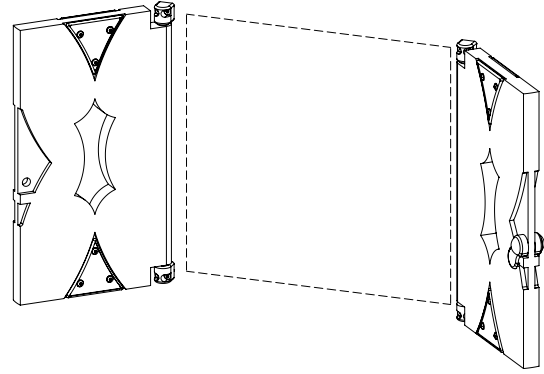


25 AC02a: Shutters

(250_075)

	PartNo	PartName	QTY.
Hardware Pack	002_044	Pan head screw - DIN 7981 - T25 - 4.8x12	24
	002_219	Gap Point Screw T25 - 5x30	8
	003_040	M8 Washer	5
	004_010	M8 Locking Nut	1
	005_003	Lock bolt	1
Other	022_84x	bpc cover	2
	022_340	Shutter	2
	022_342	Hinge	4
	022_343	Decoration plate	8
	022_344	Lock	2

Shutters 2x set - P02 - 18/11/2022 - v1

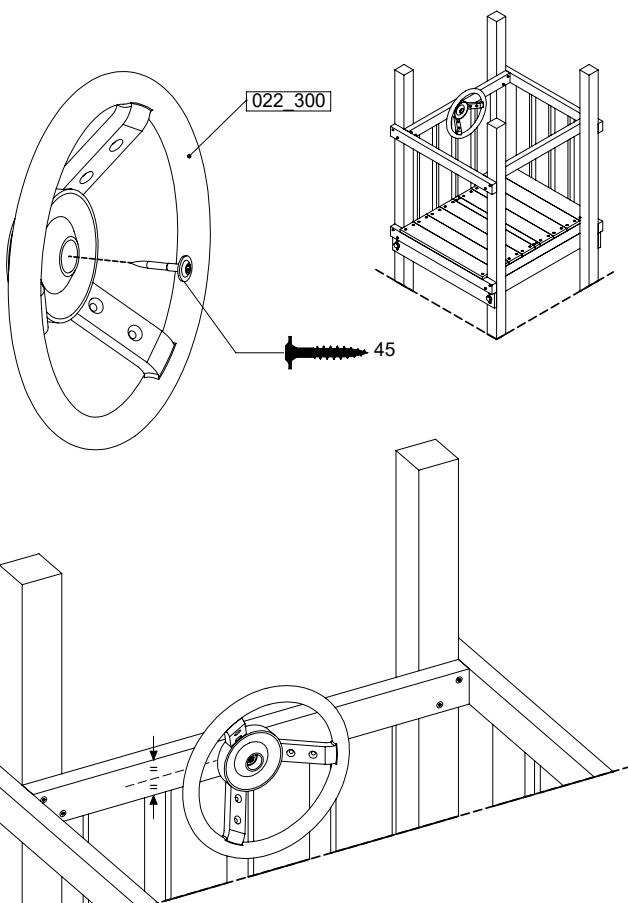
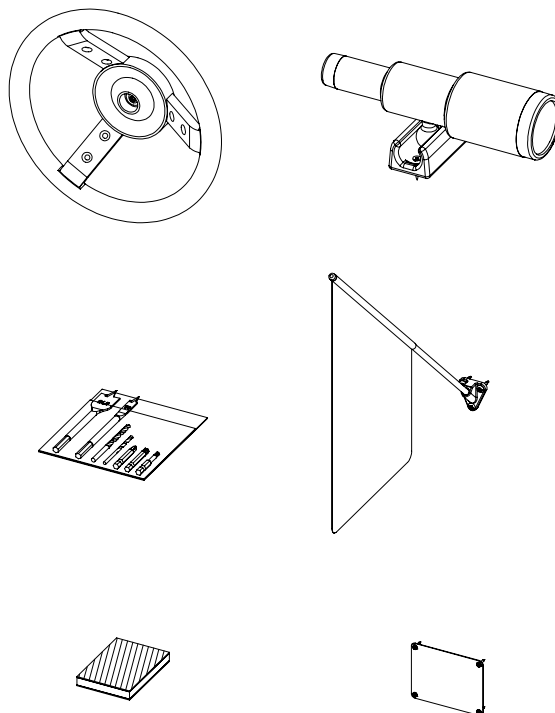


26 AC01a: Accessories

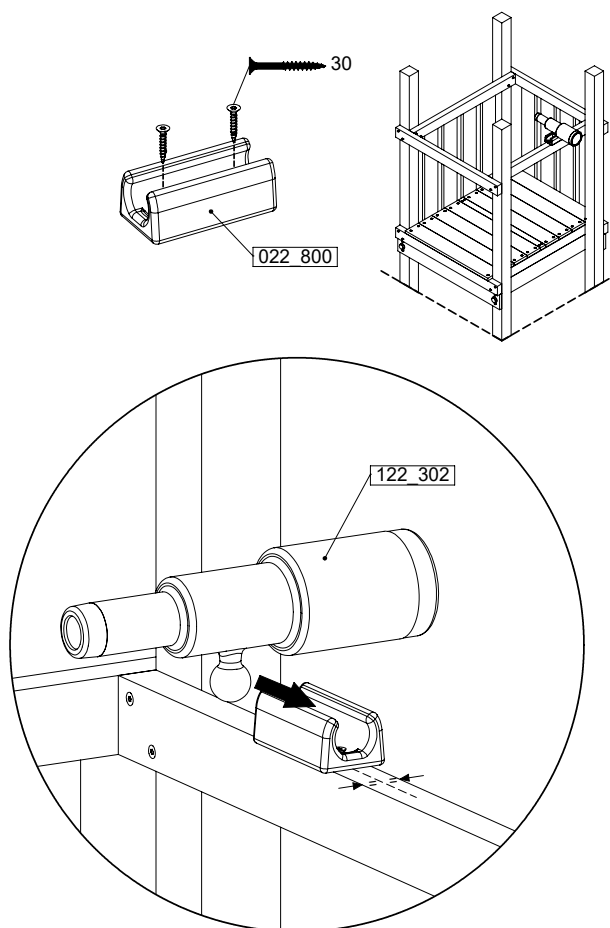
(194_119)

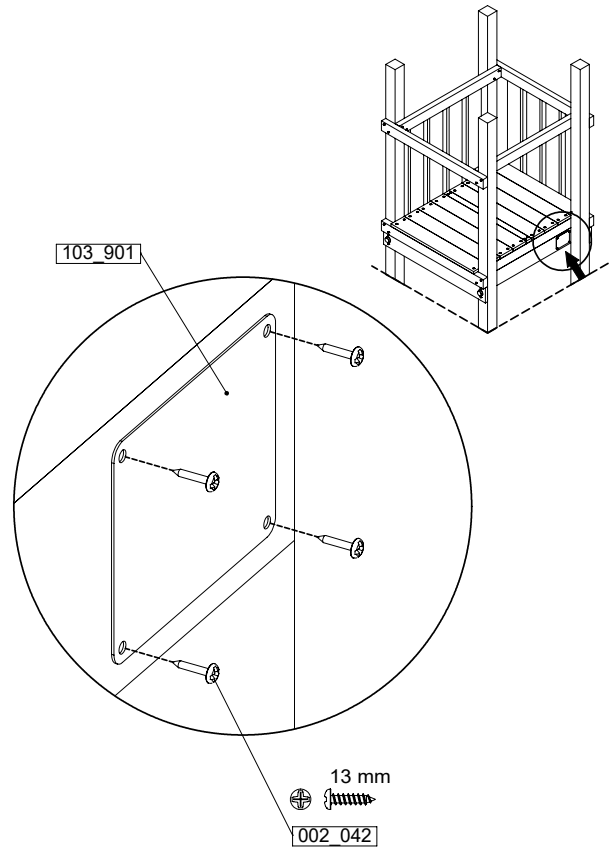
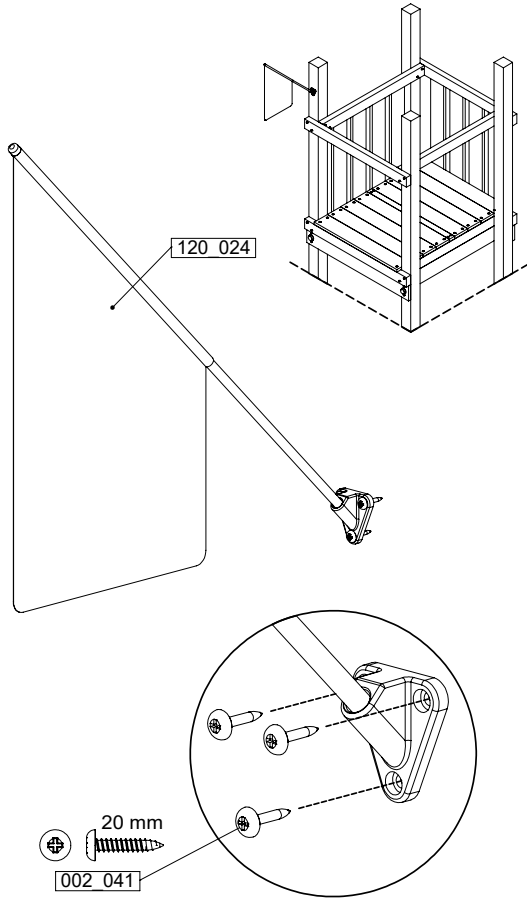
	PartNo	PartName	QTY.
Hardware Pack 100_617	001_406	Stealth Screw 8x45	1
	002_041	Dome head screw 4.5 x 20 mm	3
	002_042	Dome head screw 3.5 x 13mm	4
	002_219	Gap Point Screw T25 - 5x30	2
Other	022_300	Steering Wheel	1
	022_800	Rail P/T 105	1
	022_910	Sandpad	1
	103_901	Logo ID Plate	1
	104_107	Tool Set Climbing Units	1
	120_024	Tower Flag	1
	122_302	Telescope	1

Accessory set - P02 - 24/01/2024 - v5

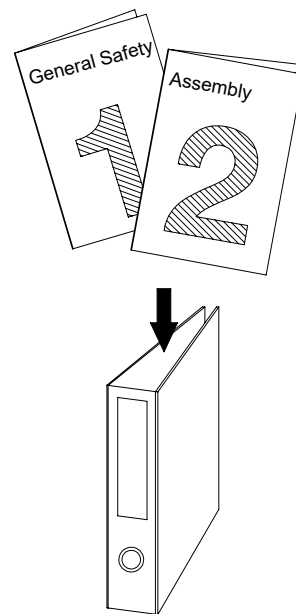
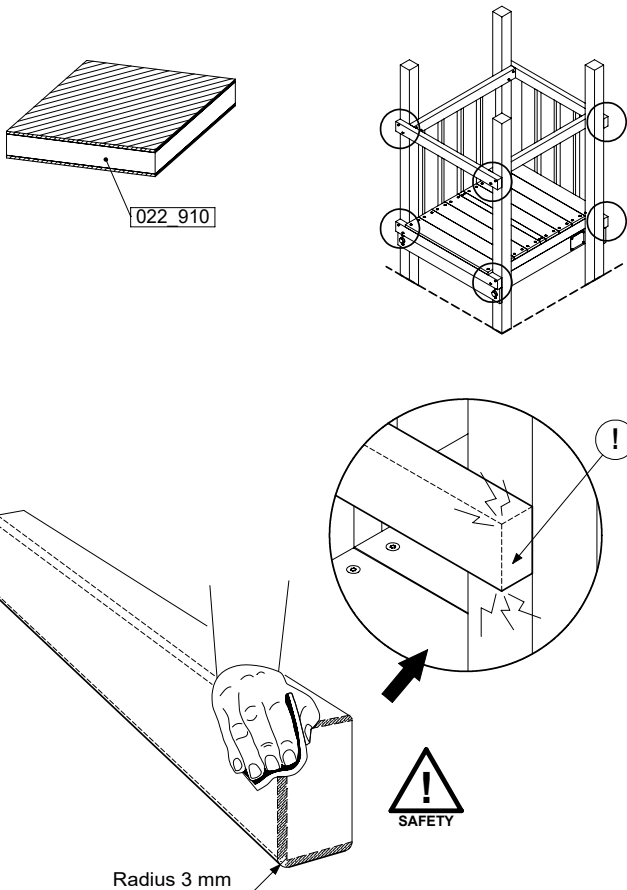


Accessory set - P03 - 24/01/2024 - v5





Accessory set - P04 - 24/01/2024 - v5



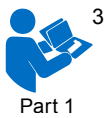
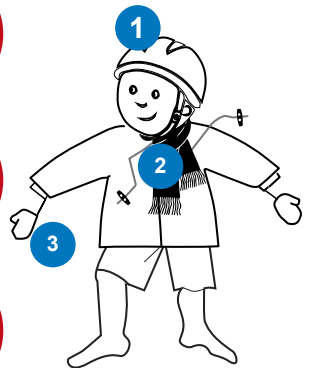
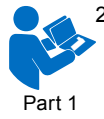
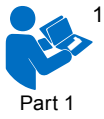
Accessory set - P05 - 24/01/2024 - v5



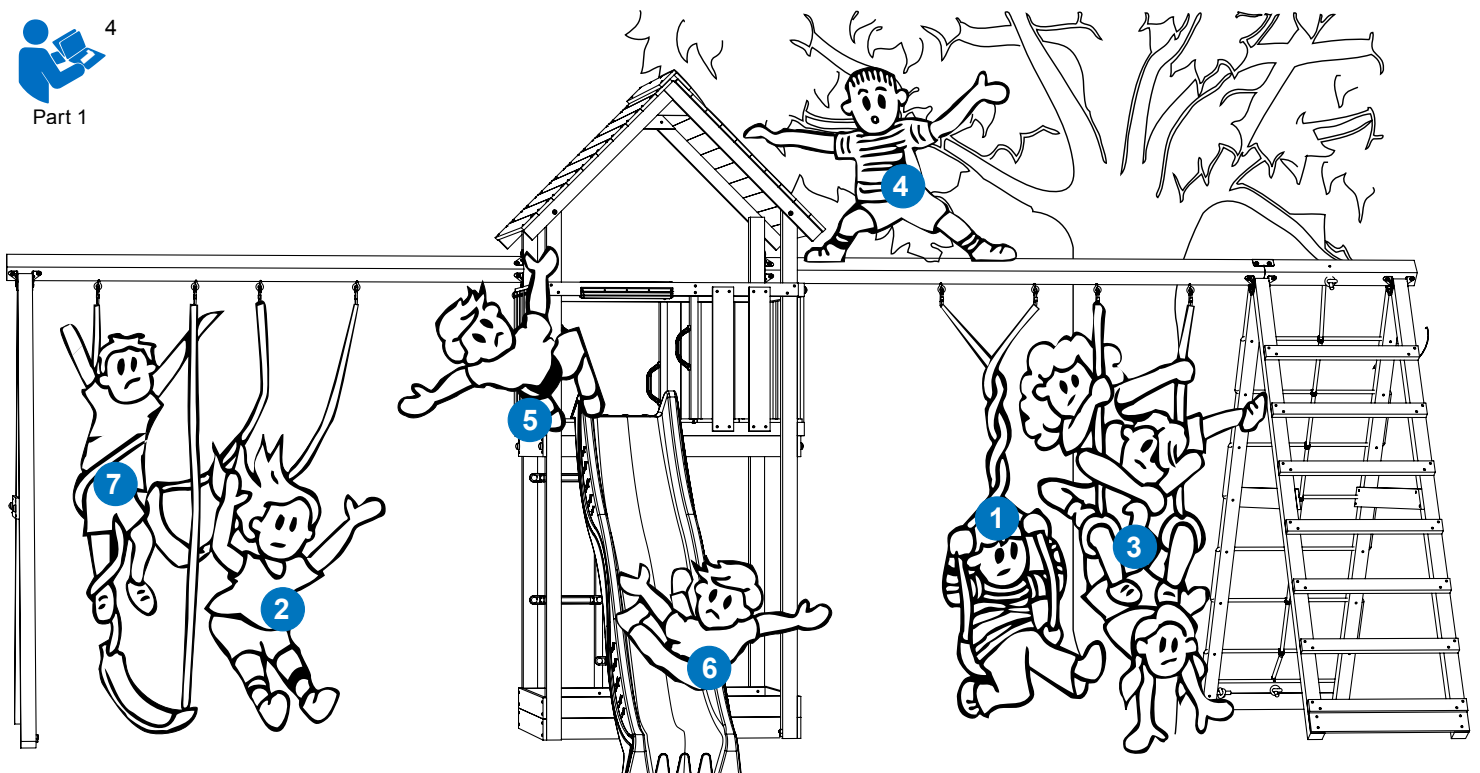
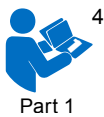
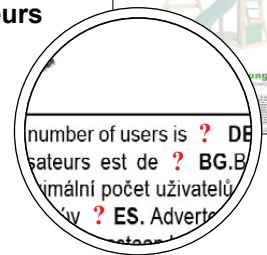
Safe play instructions and safety notices

Sichere Spielanweisungen und Sicherheitswarnungen

Consignes de jeu sécurisé et avis de sécurité



Maximum number of users
 Maximale Benutzerzahl
 Le nombre maximal d'utilisateurs





EU Declaration of Conformity
UK Conformity Assessed
EU-Konformitätserklärung
Déclaration EU de conformité



(in accordance with 768/2008/EC)

Product range: Activity toys for domestic use
Produktfamilie: Aktivitätsspielzeug für den häuslichen Gebrauch
Gamme de produits: Jouets d'activité à usage familial

DoC reference: 20250411_0500

Climbing frames

a. Assemblies for complete climbing frames - Bausätze für komplette Klettergerüste - Assemblages pour structures d'escalade complètes

Playtowers	801_005, 801_009, 801_010, 801_013, 801_025, 801_040, 801_060, 801_070, 801_090, 801_095, 801_100, 801_103, 801_105, 801_110, 801_120, 801_200, 802_202, 802_204, 802_206, 802_208, 803_202, 803_204, 803_206, 803_208, 803_210, 809_802, 809_804
Swings	801_300, 801_601, 801_602
Modules	850_176, 850_177, 850_231, 850_232, 857_101, 857_102, 857_105, 857_106, 857_151, 857_152, 857_157, 857_158, 850_240

b. Assemblies for climbing frames elements - Bausätze für Klettergerüst-Elemente - Assemblages pour éléments de structures d'escalade

Base towers (BT)	BT01a, BT02a, BT03a, BT11a, BT14a, BT15a, BT20a
Extension towers (ET)	ET01a, ET02a, ET05a, ET06a, ET07a, ET08a, ET09a, ET10a, ET11a, ET12a, ET13a, ET14a, ET15a, ET16a, ET17a, ET18a, ET19a, ET20a, ET22a, ET23a, ET27a, ET28a, ET35a, ET29a, ET39a, ET40a
Veranda (VD)	VD01a, VD02a, VD03a, VD04a, VD05a
Bridges (CB, NB, BB, TB)	CB01a, CB01b, NB01a, BB01a, BB02a, TB01a, TB02a, TB03a, TB04a
Roofs (RF)	RF01a, RF21a, RF02a, RF03a, RF04a, RF05a, RF06a, RF20a, RF02b, RF03b, RF28a, RF07a, RF08a, RF22a, RF09a, RF23a, RF11a, RF12a, RF16a, RF07b, RF12b, RF08b, RF22b, RF09b, RF23b, RF11b, RF29a, RF14a, RF24a, RF15a, RF25a, RF18a, RF17a, RF18b, RF14b, RF24b, RF15b, RF25b
Balustrade (BL, BF)	BL01a, BL02a, BL11a, BL12a, BL21a, BF25a, BF26a, BF27a, BF28a, BL03a, BL04a, BL13a, BL14a, BF01a, BF02a, BF03a, BF04a, BF05a, BF06a, BF07a, BF08a, BF01b, BF02b, BF03b, BF04b, BF05b, BF06b, BF07b, BF08b, BL05a, BL06a, BL07a, BL08a, BL09a, BL10a, BL15a, BL16a, BF21a, BF22a, BF23a, BF24a, BF21b, BF22b, BF23b, BF24b
Playhouse (PH)	PH03a, PH04a, PH05a, PH06a, PH10a, PH11a, PH40a, PH41a, PH12a, PH13a, PH14a, PH15a, PH42a, PH43a, PH44a, PH45a, PH16a, PH17a, PH18a, PH19a, PH30a, PH31a, PH16b, PH17b, PH18b, PH19b, PH46a, PH47a, PH48a, PH49a, PH16c, PH17c, PH18c, PH19c, PH46b, PH47b, PH48b, PH49b, PH20a, PH21a, PH22a, PH23a, PH24a, PH25a, PH26a, PH27a, PH32a, PH33a, PH52a, PH53a, PH54a, PH55a, PH56a, PH57a, PH50a, PH51a, PH26b, PH27b, PH26c, PH27c, PH56b, PH57b
Ladder (LA)	LA05a, LA06a, LA01a, LA02a, LA09a, LA03a, LA04a, LA01b, LA02b, LA09b, LA03b, LA04b, LA11a, LA12a, LA13a, LA14a, LA15a, LA16a, LA17a, LA18a, LA31a, LA32a, LA33a, LA34a, LA35a, LA36a, LA37a, LA38a, LA11b, LA12b, LA13b, LA14b, LA15b, LA16b, LA17b, LA18b, LA19a, LA20a, LA21a, LA22a, LA23a, LA24a, LA25a, LA26a, LA43a, LA44a, LA45a, LA46a, LA23b, LA24b, LA25b, LA26b
Two Step Ladder (TS)	TS01a, TS01b, TS02a, TS02b, TS03b, TS22a, TS05a, TS06a, TS07a, TS08a, TS09a, TS10a, TS11a, TS12a, TS15a, TS16a, TS17a, TS18a, TS19a, TS20a, TS21a, TS22a
Rope Ladder (RL)	RL01a, RL02a, RL05a, RL06a, RL07a, RL08a, RL09a, RL10a, RL11a, RL12a, RL15a, RL16a, RL19a, RL20a
Rock wall (RW)	RW01a, RW02a, RW01b, RW02b, RW03b, RW31a, RW32a, RW05a, RW06a, RW07a, RW08a, RW09a, RW10a, RW11a, RW12a, RW05b, RW06b, RW07b, RW08b, RW40a, RW41a, RW40b, RW41b, RW42a, RW43a, RW15a, RW16a, RW17a, RW18a, RW19a, RW20a, RW46a, RW47a
Ramp (RA)	RA01b, RA02b, RA03a, RA04a, RA21a, RA05a, RA06a, RA07a, RA08a, RA05b, RA06b, RA07b, RA08b, RA11a, RA12a, RA09b, RA10b, RA11b, RA12b
Net (NA, NS)	NA01a, NA02a, NS01a, NS02a, NS03a, NS21a, NA04a, NA05a, NS04a, NS05a, NS06a, NS07a, NA08a, NA09a, NS08a, NS09a
Boat (BO)	BO01a
Market (MT) & Target Canvas (TC)	MT01a, MT02a, TC01a, TC02a, MT01b, MT02b, TC01b, TC02b, MT05a, MT06a, MT11a, MT12a
Picnic (PC)	PC01a, PC01b, PC05a, PC06a, PC09a, PC10a
Gymnastics bar (GY)	GY01a
Fireman's pole (FP)	FP01a, FP02a, FP04a, FP05a, FP06a, FP07a, FP23a, FP24a, FP25a, FP26a, FP27a, FP28a
Slides (SL)	SL01a, SL02a, SL03a, SL06a, SL07a, SL08a, SL09a, SL10a, SL11a, SL12a, SL13a, SL26a, SL27a, SL28a, SL29a
Swing (SM)	SW17a, SW21a, SW18a, SW22a, SW19a, SW23a, SW01a, SW05a, SW02a, SW06a, SW03a, SW07a, SW09a, SW13a, SW10a, SW14a, SW11a, SW15a
Climb (CL)	CL17a, CL21a, CL18a, CL22a, CL19a, CL23a, CL01a, CL05a, CL02a, CL06a, CL03a, CL07a, CL09a, CL13a, CL10a, CL14a, CL11a, CL15a
Universal Beam (UB)	UB01a, UB04a, UB02a, UB05a, UB03a, UB06a, UB07a, UB08a
Accessories (AC)	AC40a, AC30a, AC31a, AC32a, AC33a, AC01a, AC05a, AC07a, AC03a, AC04a, AC06a, AC23a, AC22a, AC24a, AC21a, AC25a, AC02a, AC09a, AC08a, AC10a

Construction packages

a. Assembly kits for complete climbing frames - Bausätze für komplette Klettergerüste - Kits de construction pour structures d'escalade complètes

Playtowers	401_015, 401_080, 401_125, 402_201, 402_202, 402_204, 402_206, 402_208, 403_202, 403_204, 403_206, 403_208, 403_210, 409_802, 409_804
Swings	401_300, 401_600
Modules	457_005, 457_102, 457_103, 457_106, 457_107, 457_205

b. Assembly packs for climbing frames elements - Baupakete für Klettergerüst-Elemente - Packs de construction pour éléments de structures d'escalade

Sub assemblies	194_002, 194_003, 194_004, 194_006, 194_007, 194_008, 194_009, 194_010, 194_011, 194_100, 194_101, 194_102, 194_103, 194_104, 194_105, 194_107, 194_108, 194_109, 194_110, 194_111, 194_112, 194_113, 194_114, 194_115, 194_116, 194_117, 194_118, 194_119, 194_300, 194_308, 194_312, 194_500, 194_501, 194_508, 194_510, 194_802, 194_804, 194_809, 194_810, 194_811, 194_812
----------------	---

Accessories and components - Zubehör und Komponenten - Accessoires et composants

Slides XL	324_100, 324_200, 324_300, 324_400, 324_500, 324_600
Slides XXL	334_100, 334_200, 334_300, 334_400, 334_500, 334_600
Fireman's pole	201_275
Climbing	201_060, 201_273
Imagination	201_280, 201_285, 201_290, 201_295, 202_473, 450_310, 450_320, 450_330
Swinging	250_001, 250_013, 250_025, 250_034, 250_053
Functional	123_220, 123_222, 123_230, 201_115, 201_220, 201_250, 201_260, 201_270, 202_620, 202_621, 202_622, 202_623, 202_624, 202_625, 202_626, 202_627, 202_628, 202_629, 202_824, 250_060, 250_065, 250_070, 250_075

Applicable EU and UK directives, regulations and standards

General directives

- EU Product Safety Regulation (GPSR 2023/988/EC)
- UK General Product Safety Regulations (GPSRs SI 2005/1803)
- EU Reach Directive 1907/2006
- EU Accessibility Act (EAA 2019/882)
- AfPS GS 2019:01 PAK

Toy directives

- EU Toys Safety Directive (TSD 2009/48/EC)
- UK Toys Safety Regulations 2011 (TSR SI 2011/1881)

Harmonised European and UK toy standard

- Safety of toys (EN 71)
 - Part 1: Mechanical and physical properties (prEN 71-1:2024)
 - Part 2: Flammability (EN 71-2:2020/prA1:2023)
 - Part 3: Migration of certain elements (EN 71-3:2019+A1:2021)
 - Part 8: Activity toys for domestic use (prEN 71-8:2024)

Additional audits

Test reports / Certificate:

TüV Rheinland Product Safety GmbH
Am Grauen Stein, 51105 Köln, Germany
Zertifikat: R 60010766, R 60024578
Prüfbericht: 21115718_003/004/005, 21140630_001/002

Prüfbericht / Zertifikat:

Rapport d'essai / certificate:

Dekra Automobil GmbH
Handwerkstraße 15, 70565 Stuttgart, Germany
Prüfbericht: 340331500_55245585/13-2, 55247432.14-1, 55247432.14-2

Laboratoire National de métrologie et d'essais (LNE)
29 Avenue Roger Hennequin, 78197 Trappes Cedex, France
Revue documentaire: K080196

Design

Product image:

Produktbild:

Image du produit:

Design Code:

9 c h s M 6



Production date:

07-08-2025

Declaration

This declaration of conformity is issued solely under the responsibility of the manufacturer, who asserts that the aforementioned products comply with the applicable directives and harmonized standards, provided that installation, assembly, and maintenance are performed in accordance with the instructions supplied.

Diese Konformitätserklärung wird ausschließlich unter der Verantwortung des Herstellers ausgestellt, der erklärt, dass die genannten Produkte den geltenden Richtlinien und harmonisierten Standards entsprechen, vorausgesetzt, dass Installation, Montage und Wartung gemäß den bereitgestellten Anweisungen durchgeführt werden.

Cette déclaration de conformité est émise uniquement sous la responsabilité du fabricant, qui affirme que les produits mentionnés ci-dessus sont conformes aux directives applicables et aux normes harmonisées, à condition que l'installation, le montage et l'entretien soient réalisés conformément aux instructions fournies.

Manufacturer details

Jungle Gym B.V.
P.O. Box 75083
1070 AB Amsterdam
Netherlands
www.junglegym.com
info@junglegym.com
+31 85 44 44 100

Jungle Gym
BACKYARD PLAYGROUNDS
— since 1988 —

Amsterdam, June 25th, 2025

On behalf of the manufacturer
Jungle Gym B.V.


Paul Schmit
CEO