

Assembly instructions

Activity toy to be assembled by adults for outdoor domestic use.

Montageanleitung

Spielgerät, das von Erwachsenen zusammengebaut werden muss, für den häuslichen Außenbereich.

Instructions de montage

Jouet d'activité à assembler par des adultes pour une utilisation extérieure familial.

2

PART

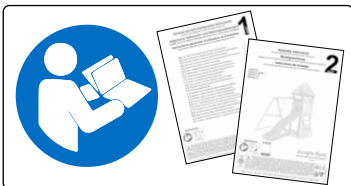
Design code: **CroXsi**

Product name: **Botan 2-Climb 3.0**

Product number: **211518**



OWNER MANUAL







3D VIEW

Jungle Gym

BACKYARD PLAYGROUNDS

since 1988

<p>Assembly time</p>  <p>12.0 hours by 2 adults v2711</p>	<p> EN. Warnings. Only for domestic use. Maximum number of users is 9. DE. Achtung. Nur für den Hausgebrauch. Maximale Benutzerzahl: 9. FR. Attention. Réserve à un usage familial. Le nombre maximal d'utilisateurs est de 9. BG. Внимание. За употреба само в домашни условия. Максималният брой потребители е 9. CS. Varování. Jen pro domácí použití. Maximální počet uživatelů je 9. DA. Advarsel. Kun til privat brug. Maksimum antal brugere er 9. EL. Προειδοποίησης. Μόνο για οικιακή χρήση. Μέγιστος αριθμός χρηστών 9. ES. Advertencias. Sólo para uso doméstico. Número máximo de usuarios: 9. ET. Hoiatused. Ainult koduseks kasutamiseks. Maksimaalne kasutajate arv on 9. FI. Varoitukset. Ainoastaan kotikäyttöön. Käyttäjää yhteensä enintään 9. HR. Upozorenja. Samo za kućansku uporabu. Maksimalan broj korisnika je 9. HU. Figyelmeztetések. Csak otthoni használatra! A használók max. száma: 9. IS. Varnaðarorð. Eingöngu fyrir einkanotkun í heimahúsum og á einkalóum. Hámarksfjöldi notenda er 9. IT. Avvertenze. Solo per uso domestico. Massimo numero di utenti è 9. LT. Įspėjimai. Tik buitiniam naudojimui. Maksimalus naudotojų skaičius 9. LV. Brīdinājumi. Izmantot tikai mājās. Maksimālais lietotāju skaits ir 9. NL. Waarschuwingen. Uitsluitend voor huishoudelijk gebruik. Het maximale aantal gebruikers is 9. NO. Advarsel. Kun for privat bruk. Maksimalt antall brukere er 9. PL. Ostrzeżenia. Wyłącznie do użytku domowego. Maksymalna liczba użytkowników to 9. PT. Avisos. Apenas para uso doméstico. O número máximo de utilizadores é 9. RO. Avertismente. Numai pentru uz domestic. Numărul maxim de utilizatori este 9. SK. Upozornenia. Iba na domáce použitie. Maximálne množstvo osôb je 9. SL. Opozorila. Samo za domačo uporabo. Maksimalno število uporabnikov je 9. SV. Varningar. Endast för hemmabruk. Det maximala antalet användare är 9.</p>	<p>UK CA CE</p>  
--	---	--



Customer service and support Kundendienst und Unterstützung Service clients et support

FAQ



helpdesk.jungle gym.com/help



FAQ

E-mail



info@jungle gym.com

Phone



EU 0031 85 44 44 102

Monday-Friday,
CET 9:00am - 4:00pm
Local phone charges may apply.



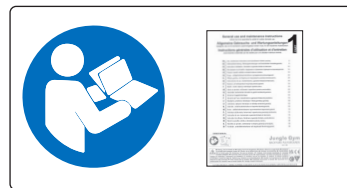
General safety notice Allgemeine Sicherheitswarnung Avertissement de sécurité général



1-5 *

Warning!
Achtung!
Attention!

OWNER MANUAL



PART 1

my.jungle gym.com



1-12 *

Potential hazards
Potenzielle Gefahren
Dangers potentiels

Important: Before assembling and using this product, please carefully read the provided Use- and maintenance instructions (part 1) and assembly instructions (part 2) thoroughly.



1-7 *

Installation notices
Installationsplanung
Planification de l'installation

Wichtig: Lesen Sie vor der Montage und Benutzung dieses Produkts die beiliegende Gebrauchs- und Wartungsanweisungen (Teil 1) und die Montageanleitung (Teil 2) sorgfältig durch.



1-14 *

Assembly instructions
Montageanweisungen
Instructions de montage

Important: Avant de monter et d'utiliser ce produit, veuillez lire attentivement le manuel Instructions d'utilisation et de maintenance (partie 1) et les instructions de montage (partie 2).



1-7 *

Safe play instructions
Sichere Spielanweisungen
Consignes de jeu sécurité



* = Part 1



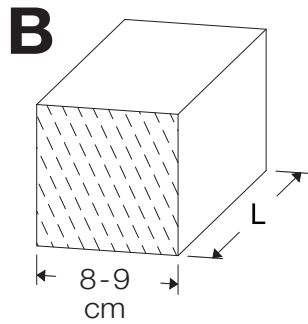
Preparatory work Vorbereitende Arbeiten Travaux préparatoires



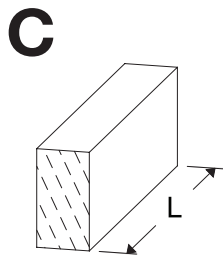
Overview of the total delivery scope
Übersicht über den gesamten Lieferumfang
Aperçu de l'ensemble de la portée de livraison

#	Description	Supplier ID	Sub-assembly ID
2	Base Tower 140_270270_145	794_001	BT20a
1	Extension Tower 140140_220_145	794_107	ET39a
2	Roof Timber Slope 140	794_208	RF15b
2	Balustrade 140_ U	794_301	BL05a
1	Balustrade 140_ T	794_301	BL06a
2	Balustrade 70/140_ U L	794_302	BL07a
1	Playhouse 140 U Wall	794_311	PH20a
1	Playhouse 140 T Window	794_319	PH27c
1	Playhouse 140 Roof 120 set	794_314	PH33a
1	Rock wall 70/140_145 T R	794_402	RW20a
1	Ladder 70/140_145 U R	794_432	LA24a
1	Picnic 140 U	794_503	PC09a
1	Clatter Bridge 80 uni	790_601	CB01a
1	Bridge Frame 140 T L	794_602	BF23a
1	Bridge Frame 140 T R	794_602	BF24a
1	Slide Frame 70/140145 T L	794_901	SL28a
1	Fireman's pole 70/140_145 U R	794_911	FP26a
1	Swing Mounting Set	794_916	UB07a
1	2- Climb Module 220_Extra 3.0	750_234	CL22b
1	Accessories Set	194_119	AC01a
2	Accessories Swing Seat	250_034	AC21a
1	Accessories Mesh for Bridge	123_230	AC30a
1	Wavy Star Slide XXL	334_x00a	334_x00a

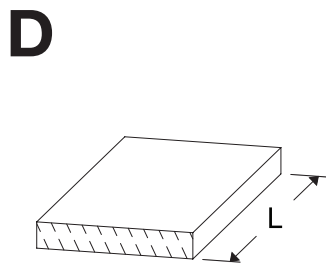
Identifying and inventorying of the individual timber parts
Identifizierung und inventarisieren der der einzelnen Holzteile
Identification et inventorier les pièces en bois individuels



B74	73 cm - 74 cm	1
B220	219 cm - 220 cm	2
B240	239 cm - 240 cm	5
B270	269 cm - 270 cm	8

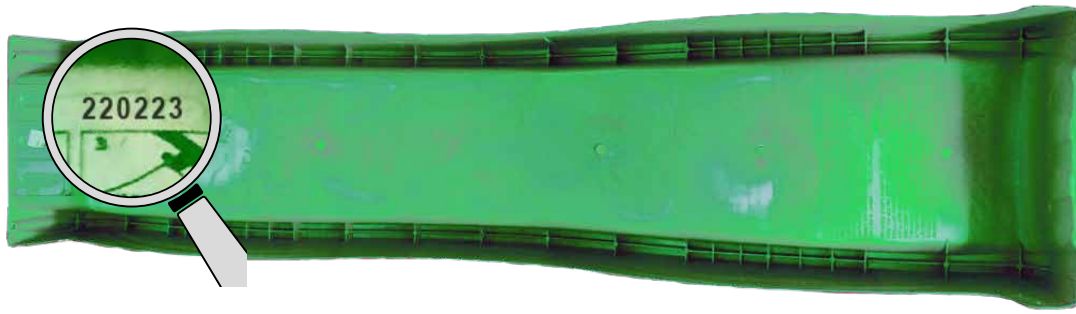



C37	36 cm - 37 cm	3
C70	69 cm - 70 cm	5
C74	73 cm - 74 cm	12
C84	83 cm - 84 cm	4
C96	85 cm - 96 cm	9
C141	140 cm - 141 cm	34
C150	149 cm - 150 cm	2
C206	205 cm - 206 cm	1



D47	46 cm - 47 cm	9
D60	59 cm - 60 cm	12
D65	64 cm - 65 cm	42
D74	73 cm - 74 cm	2
D100	99 cm - 100 cm	2
D123	122 cm - 123 cm	61
D141	140 cm - 141 cm	69
D154	153 cm - 154 cm	49

Identification, inventorying, and registering of the individual accessories and parts
 Identifizierung, inventarisieren und registrieren von der einzelnen Zubehör und Teilen
 Identification, inventorier et enregistrer les accessoires et pièces individuels



No: 

1.

--	--	--	--	--	--	--	--	--	--

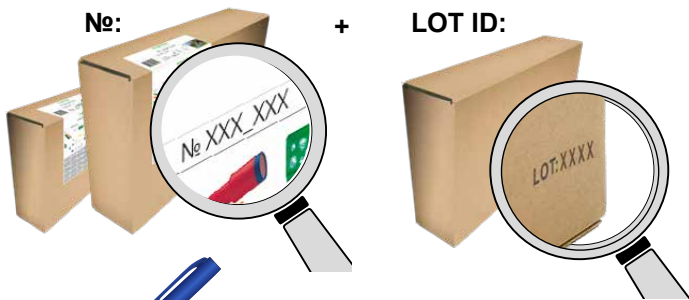
2.

--	--	--	--	--	--	--	--	--	--

3.

--	--	--	--	--	--	--	--	--	--

Identification, inventorying, and registering of the individual assembly kits
 Identifizierung, inventarisieren und registrieren der der einzelnen Bausätze
 Identification, inventorier et enregistrer les kits de construction individuels



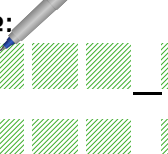
Example

No:

X	X	X	X	X	X	X	X	X	X
---	---	---	---	---	---	---	---	---	---

LOT ID:

X	X	X	X	X	X	X	X	X	X
---	---	---	---	---	---	---	---	---	---

No: 

1.

--	--	--	--	--	--	--	--	--	--

2.

--	--	--	--	--	--	--	--	--	--

3.

--	--	--	--	--	--	--	--	--	--

4.

--	--	--	--	--	--	--	--	--	--

5.

--	--	--	--	--	--	--	--	--	--

No:

--	--	--	--	--	--	--	--	--	--

6.

--	--	--	--	--	--	--	--	--	--

7.

--	--	--	--	--	--	--	--	--	--

8.

--	--	--	--	--	--	--	--	--	--

9.

--	--	--	--	--	--	--	--	--	--

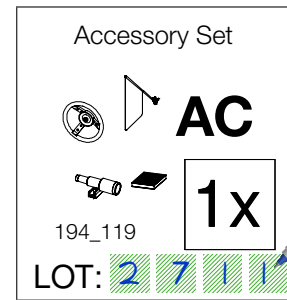
10.

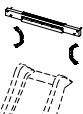
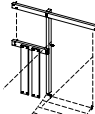


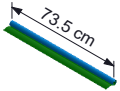


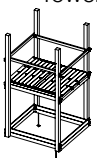





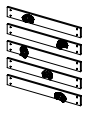

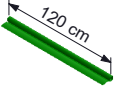


--	--	--	--	--	--	--	--	--	--

Identification, inventorying, and registering of the individual assembly packs
Identifizierung, inventarisieren und registrieren der einzelnen Baupakete
Identification, inventorier et enregistrer les packs de construction individuels



Example

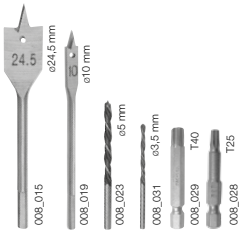


<p>Slide Frame</p>  <p>SL</p> <p>194_107</p> <p>1x</p> <p>LOT: [][][][]</p>	<p>Bridge Frame</p>  <p>BF</p> <p>194_007</p> <p>2x</p> <p>LOT: [][][][]</p>	<p>Accessory Set</p>  <p>AC</p> <p>194_119</p> <p>1x</p> <p>LOT: [][][][]</p>	<p>Hardware 10</p>  <p>H10</p> <p>194_810</p> <p>1x</p> <p>LOT: [][][][]</p>	<p>Canvas 136 x 74cm</p>  <p>123_220</p> <p>1x</p> <p>LOT: [][][][]</p>
<p>Hardware 09</p>  <p>H09</p> <p>194_809</p> <p>1x</p> <p>LOT: [][][][]</p>	<p>Swing Seat</p>  <p>AC</p> <p>250_034</p> <p>2x</p> <p>LOT: [][][][]</p>	<p>Tower 140</p>  <p>BT ET</p> <p>194_500</p> <p>3x</p> <p>LOT: [][][][]</p>	<p>Hardware 04</p>  <p>H04</p> <p>194_804</p> <p>3x</p> <p>LOT: [][][][]</p>	<p>Clatter Bridge</p>  <p>CB</p> <p>194_116</p> <p>1x</p> <p>LOT: [][][][]</p>
<p>Climb Module Kit</p>  <p>CL</p> <p>457_107</p> <p>1x</p> <p>LOT: [][][][]</p>	<p>Balustrade 140</p>  <p>BL</p> <p>194_501</p> <p>4x</p> <p>LOT: [][][][]</p>	<p>Slide XXL 2.6m</p>  <p>1x</p> <p>334_x00</p> <p>LOT: [][][][]</p>	<p>Rock Wall</p>  <p>RW</p> <p>194_006</p> <p>1x</p> <p>LOT: [][][][]</p>	<p>Fireman's Pole</p>  <p>FP</p> <p>201_275</p> <p>1x</p> <p>LOT: [][][][]</p>
<p>Mesh Green 185 x 120cm</p>  <p>123_230</p> <p>1x</p> <p>LOT: [][][][]</p>	<p>Hardware 01</p>  <p>BL H01</p> <p>194_101</p> <p>2x</p> <p>LOT: [][][][]</p>	<p>Ladder 145</p>  <p>LA</p> <p>194_004</p> <p>1x</p> <p>LOT: [][][][]</p>		

Overview of the contents of the standard included start package
Übersicht über den Inhalt des standardmäßig enthaltenen Startpakets
Aperçu du contenu du pack de démarrage inclus standard



Overview of the bit and drill bit references
Übersicht über die Bit- und Bohrer-Referenzen
Aperçu des références des embouts et des forêts



Overview of all hardware and part references for identification
Übersicht über alle Hardware- und Teile-Referenzen zur Identifizierung
Aperçu de toutes les références de matériel et de pièces pour identification

		#	L			#	L			
			001_404	30 mm		002_308	20 mm			
			001_406	45 mm		002_219	30 mm			
			001_411	60 mm		002_220	45 mm			
			001_417	80 mm		002_223	80 mm			
			001_422	137 mm						
			001_102	30 mm			004_050	22mm		
			000_101	20 mm			003_010			
			002_036	16 mm			003_034			
			002_041	20 mm			022_845	Yellow		
			002_042	13 mm			022_846	Blue		
			002_301	40 mm			022_847	Green		
							022_848	Red		
							023_031	White		
							022_844	022_314		



Complete climbing frame identification and registration

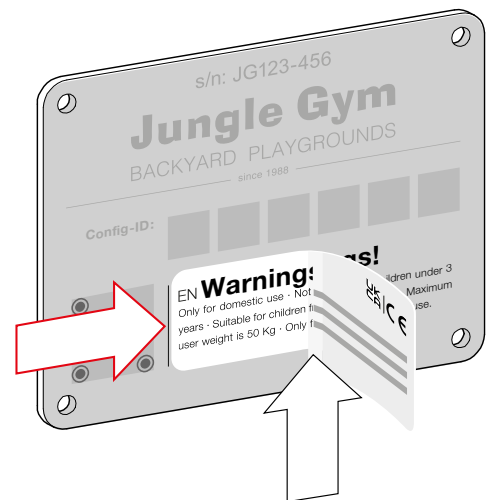
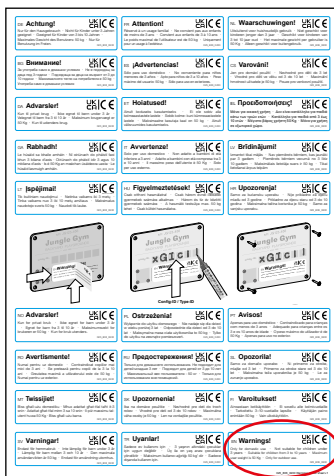
Identifizierung und Registrierung des kompletten Klettergerüsts

Identification et enregistrement de la structure d'escalade complète

Your design code
Ihr Designcode
Votre code de design



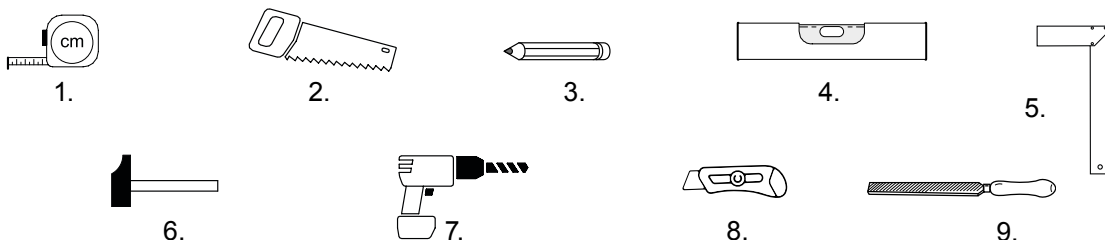
Complete climbing frame identification
Identifizierung des kompletten Klettergerüsts
Identification de la structure d'escalade complète



Required tools and materials

Benötigtes Werkzeug und Materialien

Outils et matériaux nécessaires

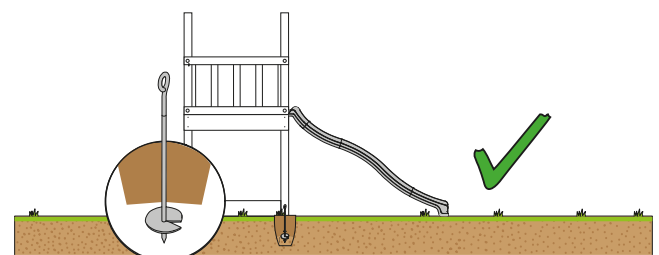
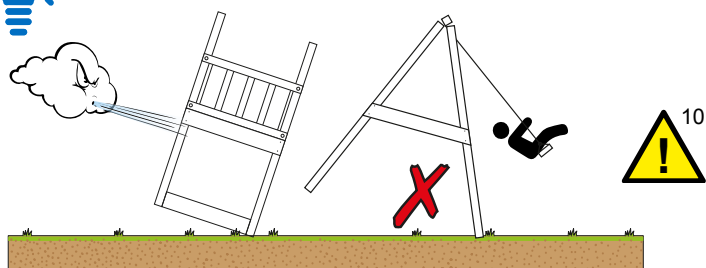
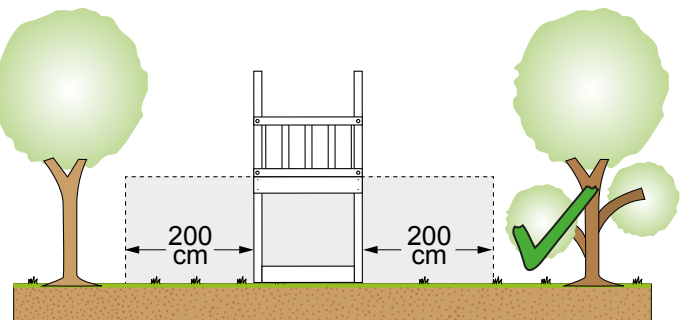
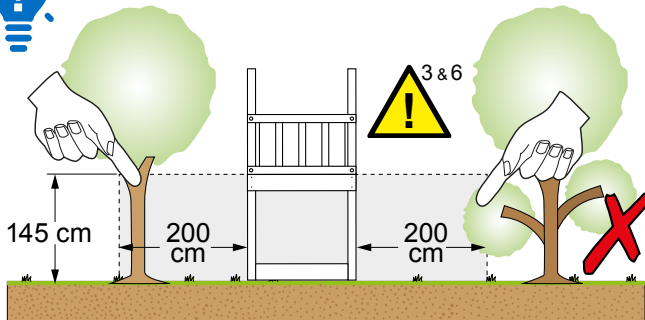
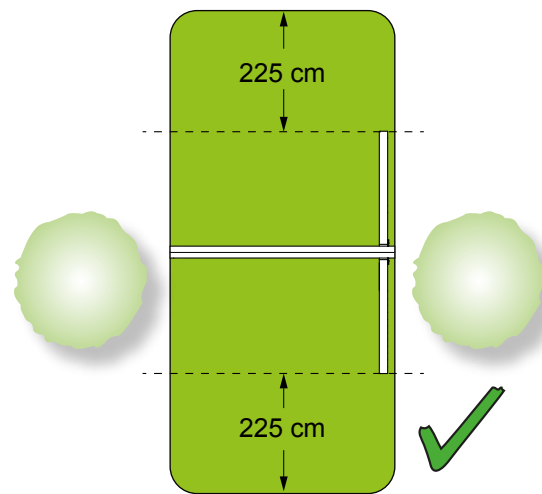
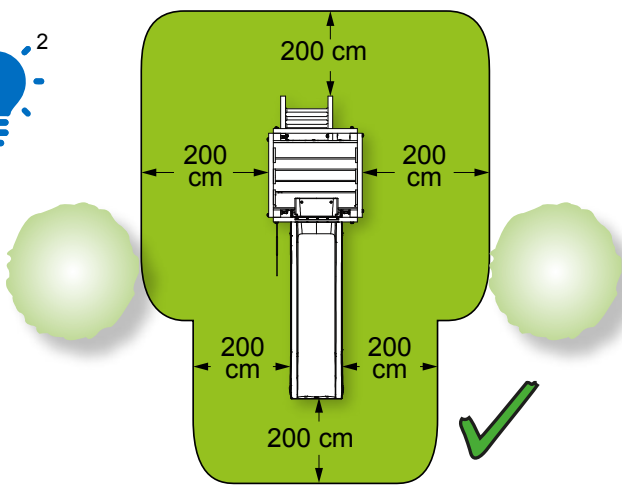
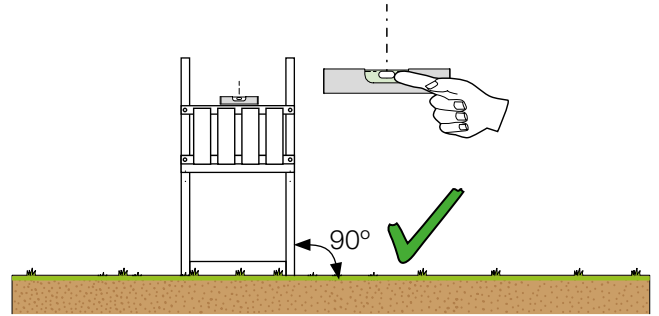
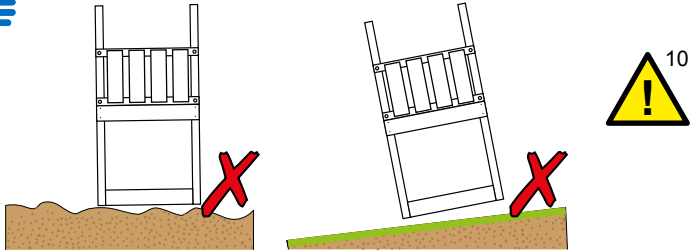


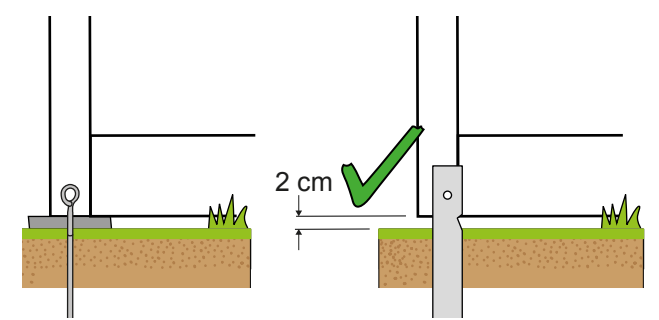
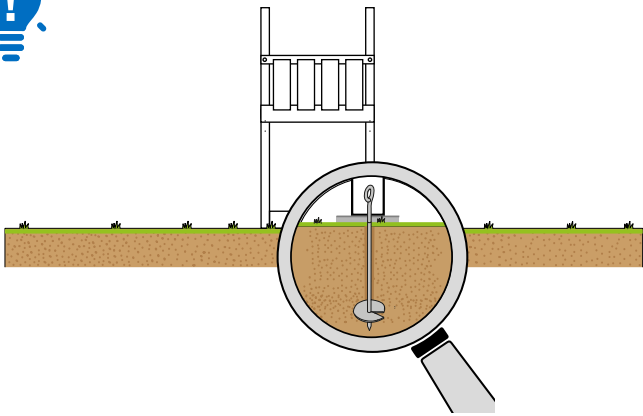
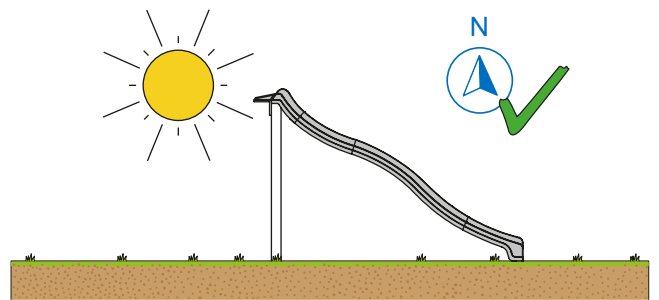
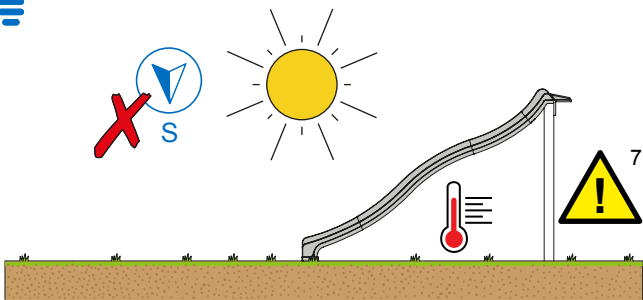
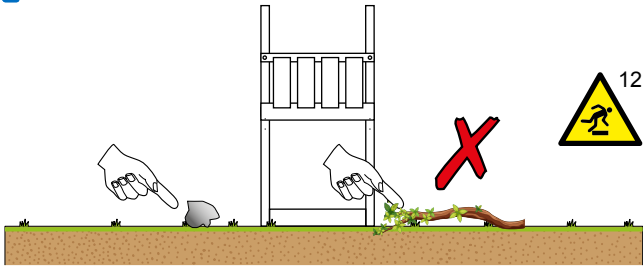


Installation and safety notices

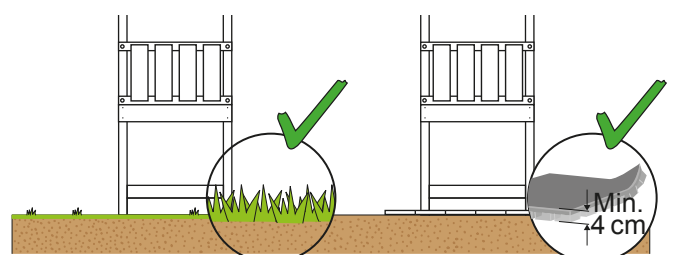
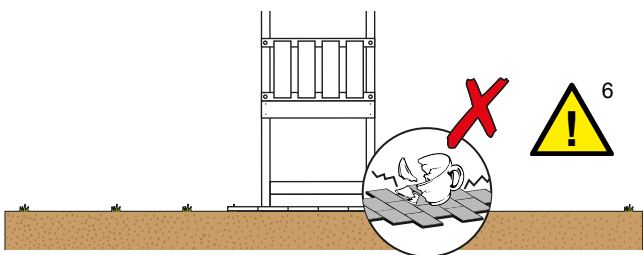
Installationsplanung und Sicherheitshinweise

Planification de l'installation et avis de sécurité





Shock absorbing surfaces Stoßdämpfende Oberflächen Surfaces d'absorption des chocs

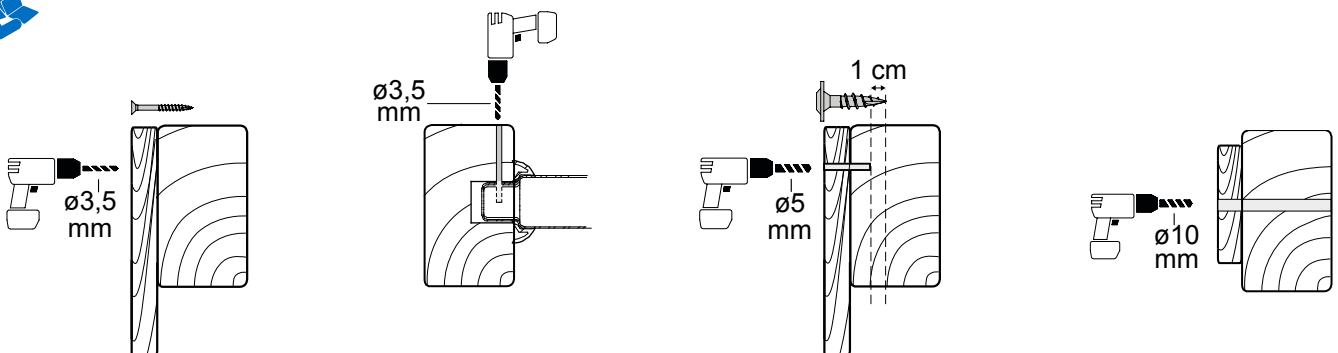
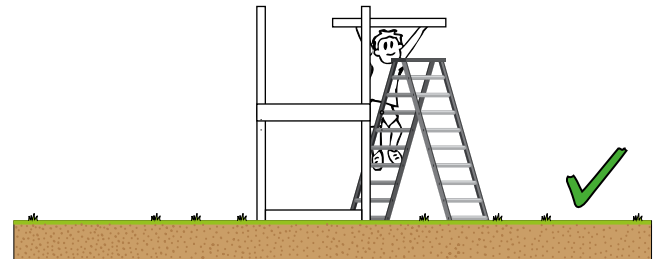
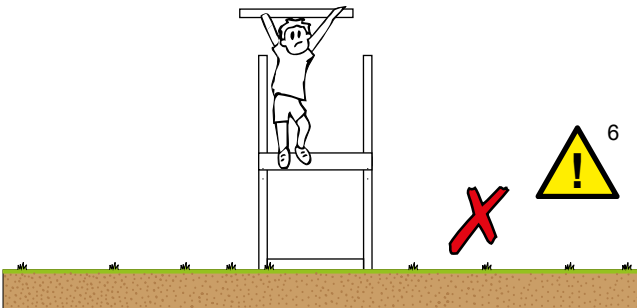
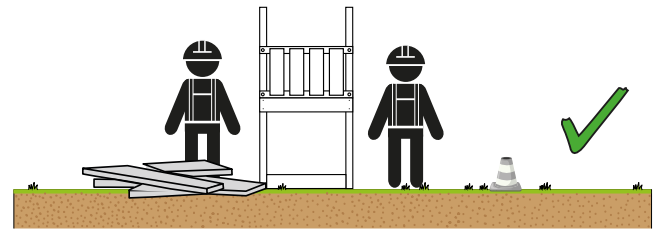
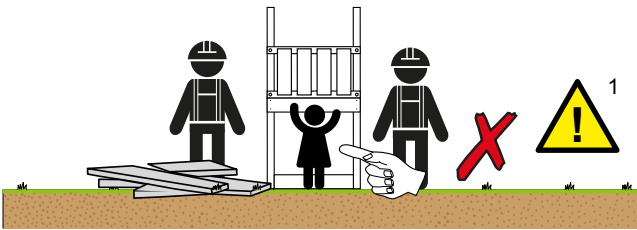
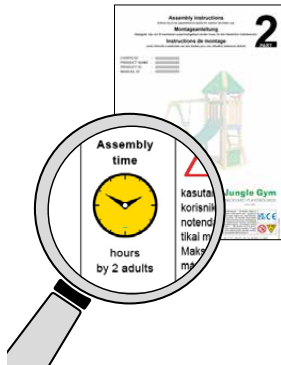


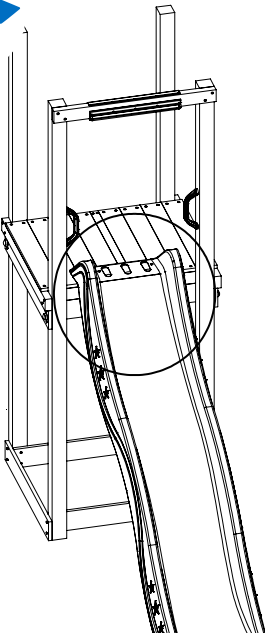
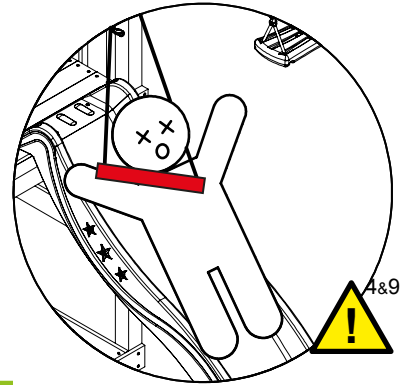
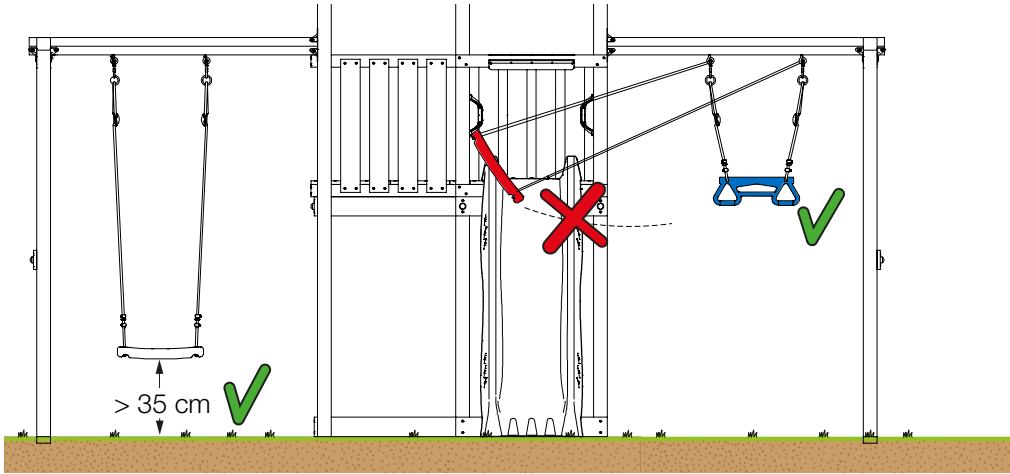
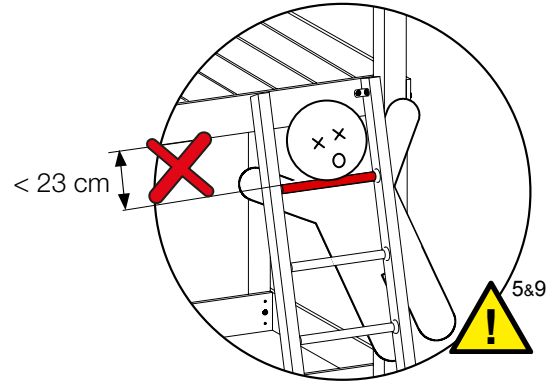
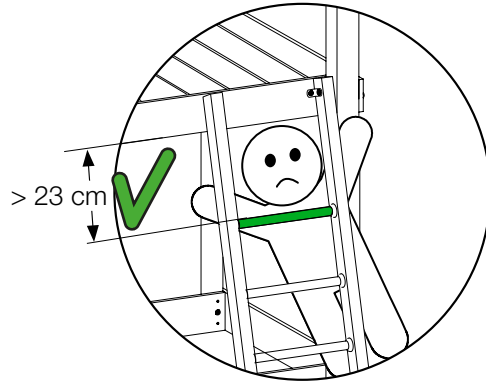
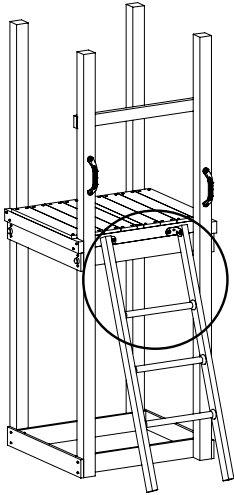


Assembly instructions and safety notices

Montageanweisungen und Sicherheitswarnungen

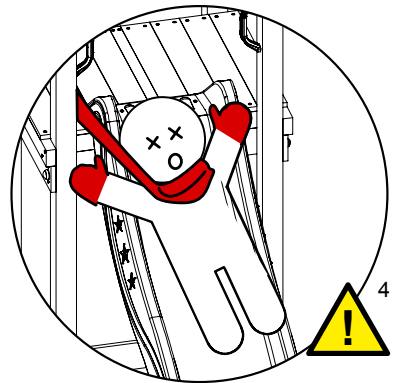
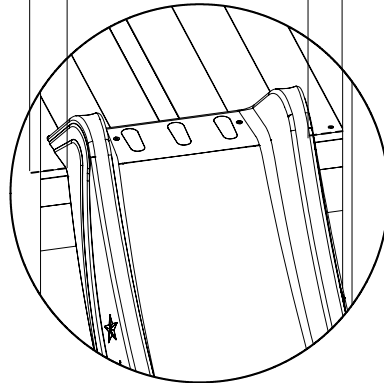
Instructions de montage et avis de sécurité

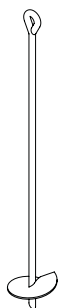
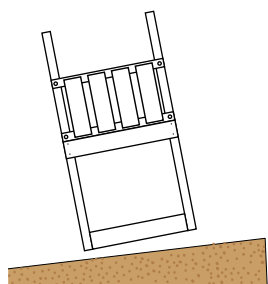
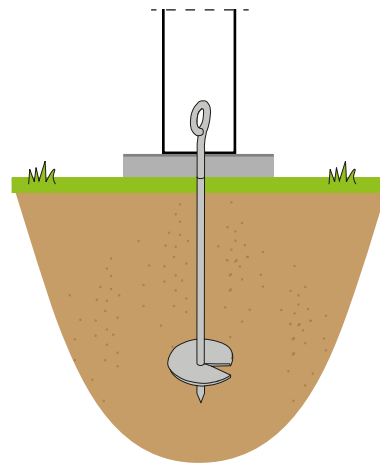
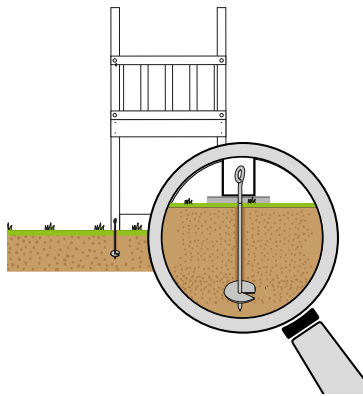
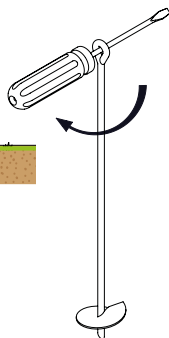
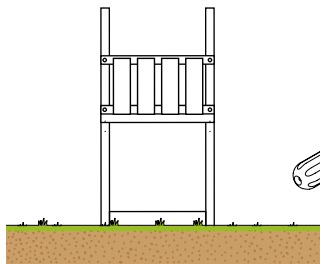
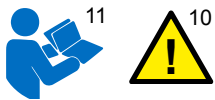




✓ min. 26 mm
max. 75 mm

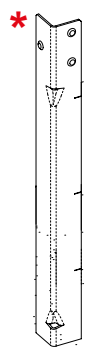
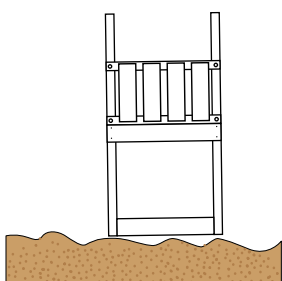
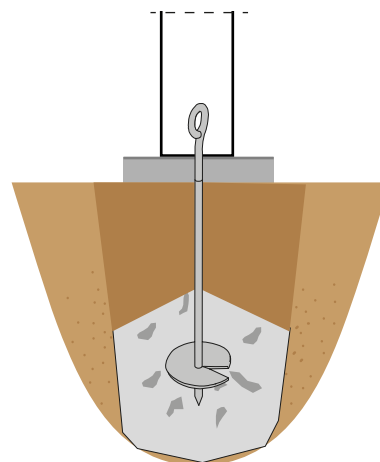
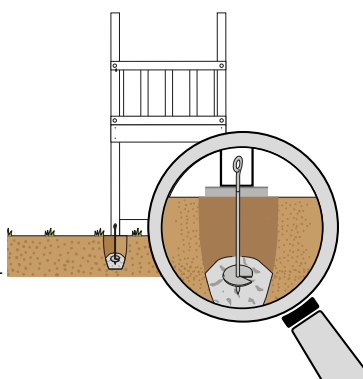
✓ min. 26 mm
max. 75 mm





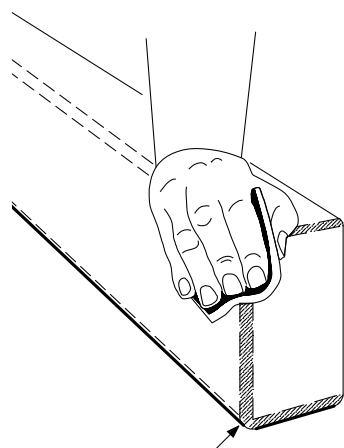
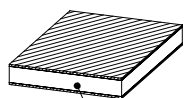
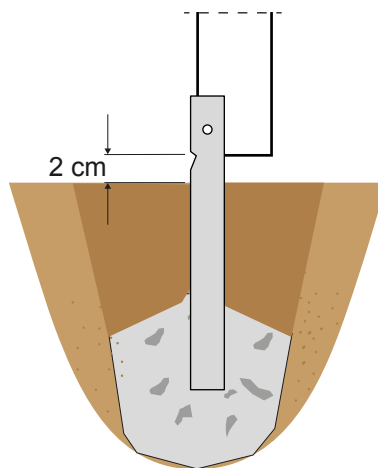
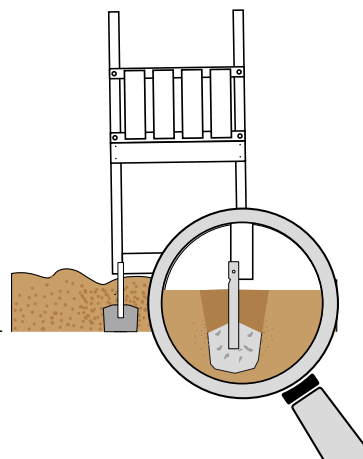
25kg / 13L

* = extra

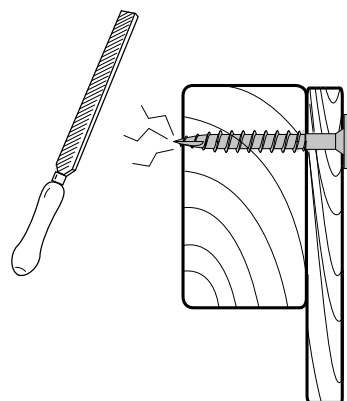


25kg / 13L

* = extra

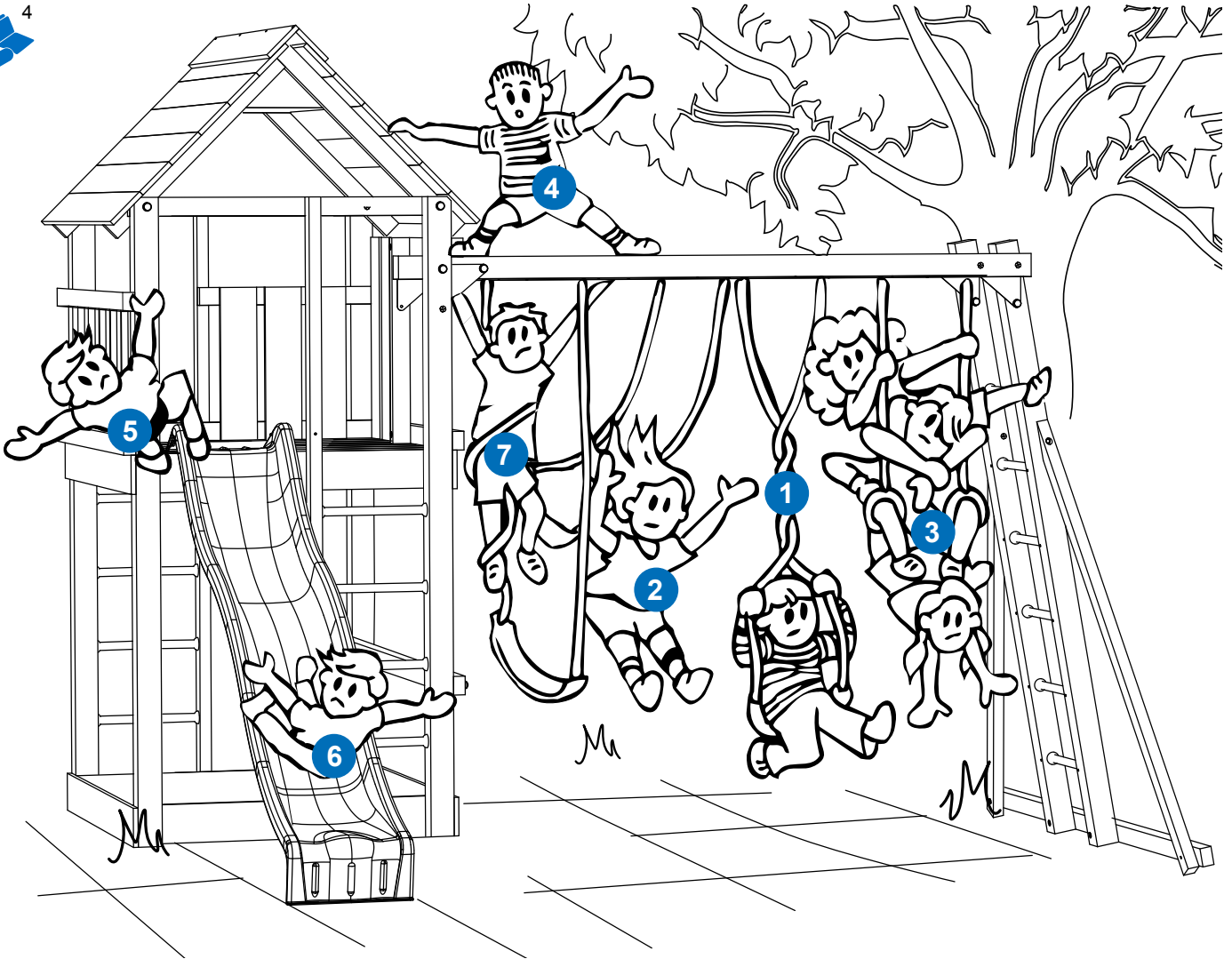
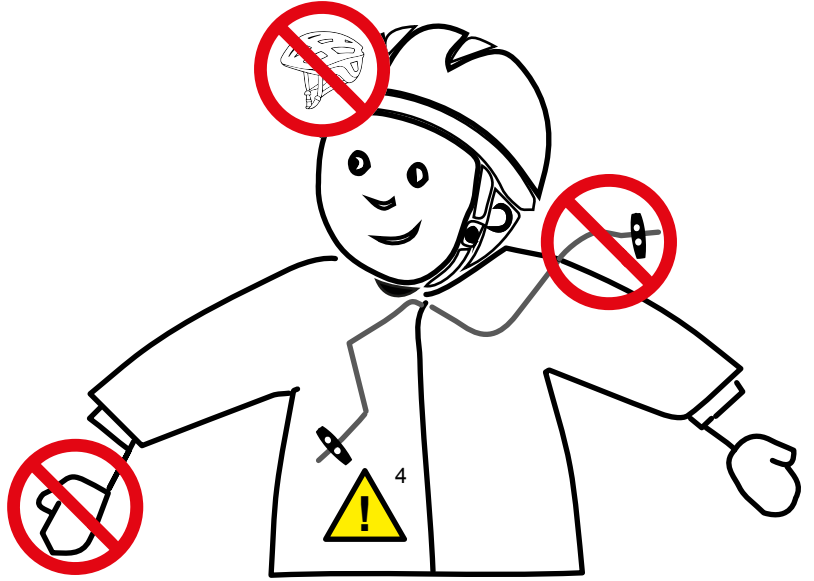
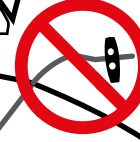


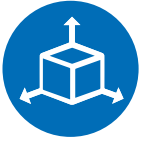
Radius 3 mm



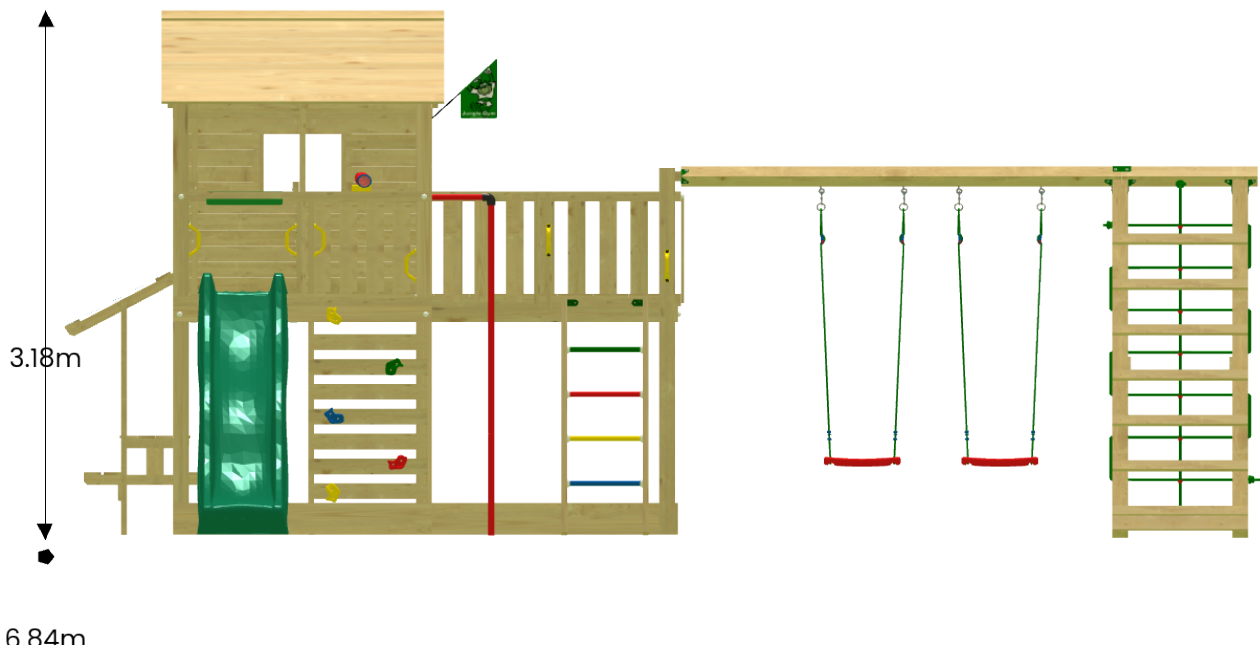
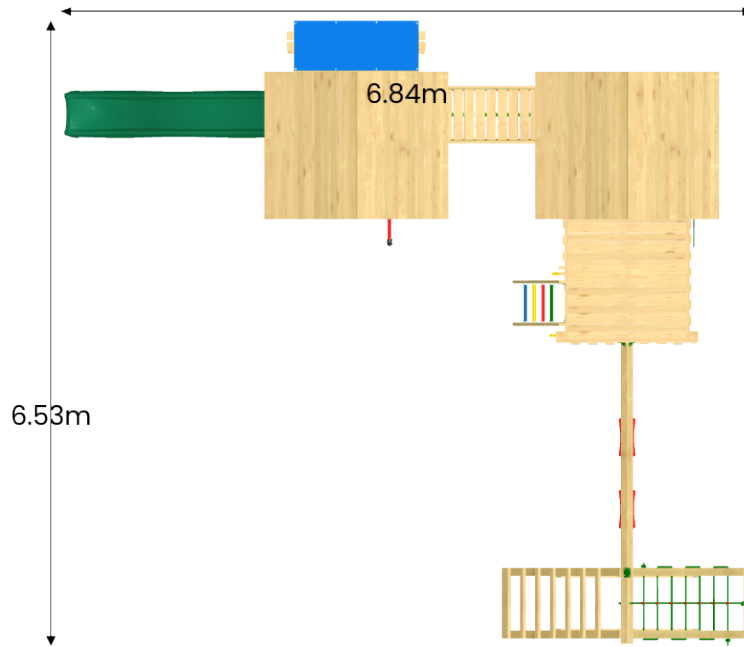


Safe play instructions and safety notices
 Sichere Spielanweisungen und Sicherheitswarnungen
 Consignes de jeu sécurisé et avis de sécurité



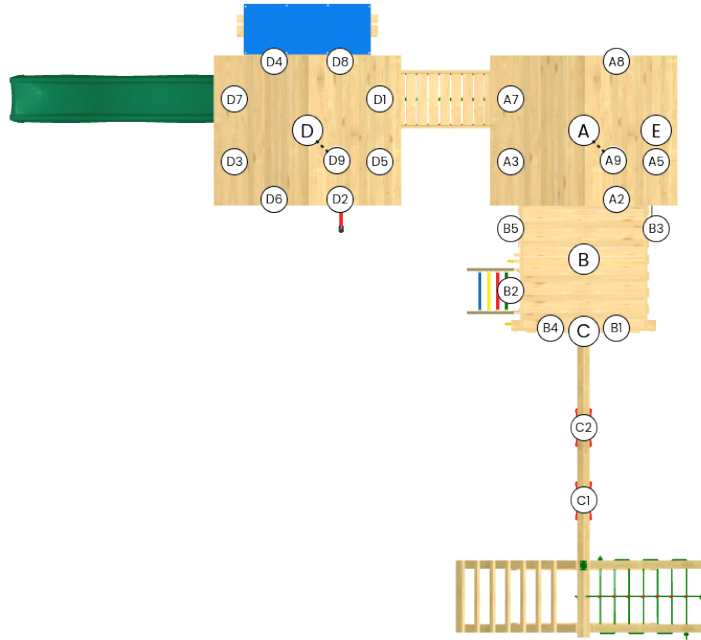


Dimensions Abmessungen Dimensions





Assembly sequence Montagereihenfolge Séquence d'assemblage



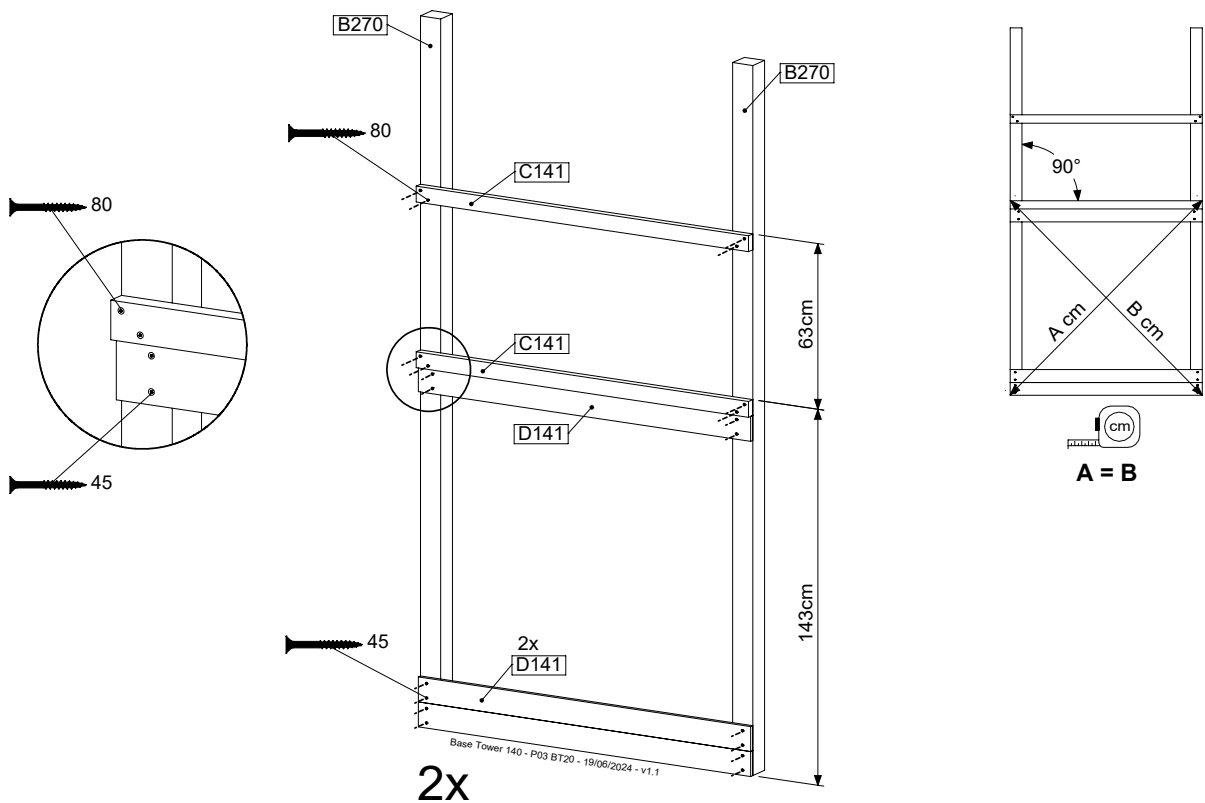
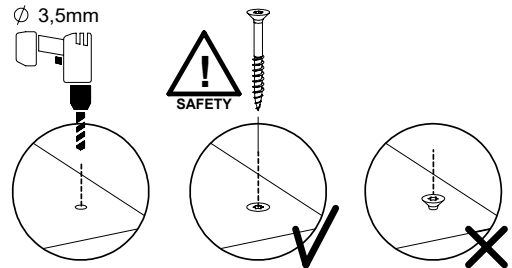
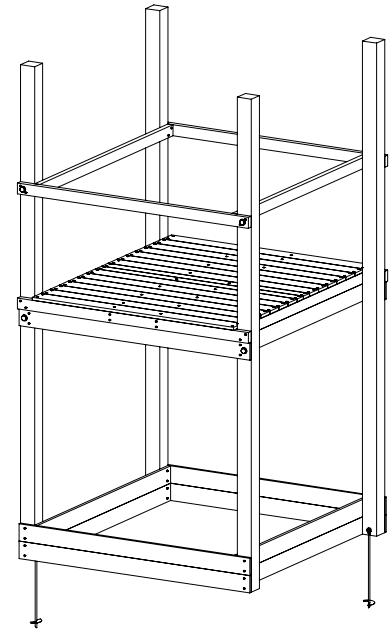
	ID			A	B	C	D	E
1	BT20a		p.17	✓	-	-	✓	-
2	ET39a		p.20	-	✓	-	-	-
3	BL05a		p.23	-	B3	-	D4	-
4	BL06a		p.24	-	B1	-	-	-
5	BL07a		p.25	-	B5	-	D6	-
6	RF15b		p.26	A9	-	-	D9	-
7	CB01a		p.29	A7	-	-	D1	-
8	BF23a		p.32	A3	-	-	-	-
9	BF24a		p.35	-	-	-	D5	-
10	PH20a		p.38	A8	-	-	-	-
11	PH27c		p.39	-	-	-	-	✓
12	PH33a		p.43	A9	-	-	-	-
13	RW20a		p.45	-	-	-	D3	-
14	LA24a		p.48	-	B2	-	-	-
15	PC09a		p.51	-	-	-	D4	-
16	UB07a		p.55	-	-	✓	-	-
17	CL22b		p.57	-	-	✓	-	-
18	SL28a		p.70	-	-	-	D7	-

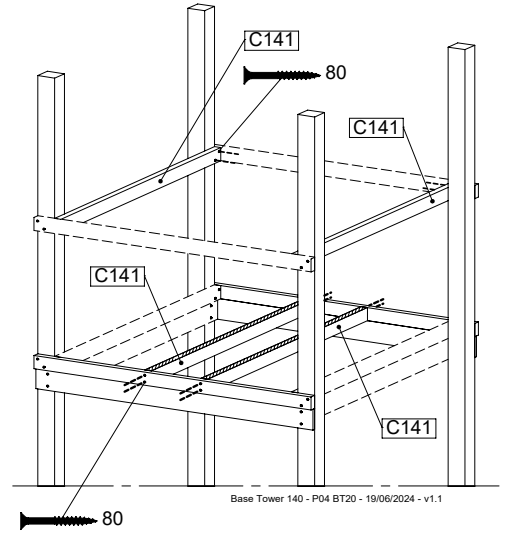
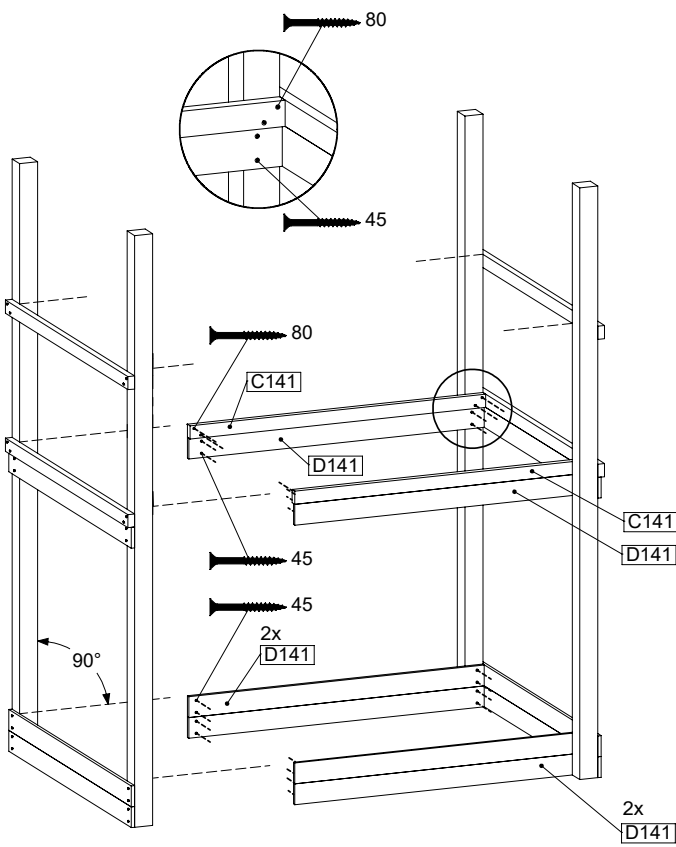
1 BT20a: Base Tower 140 145cm 270270

Assembly Pack: 194_500

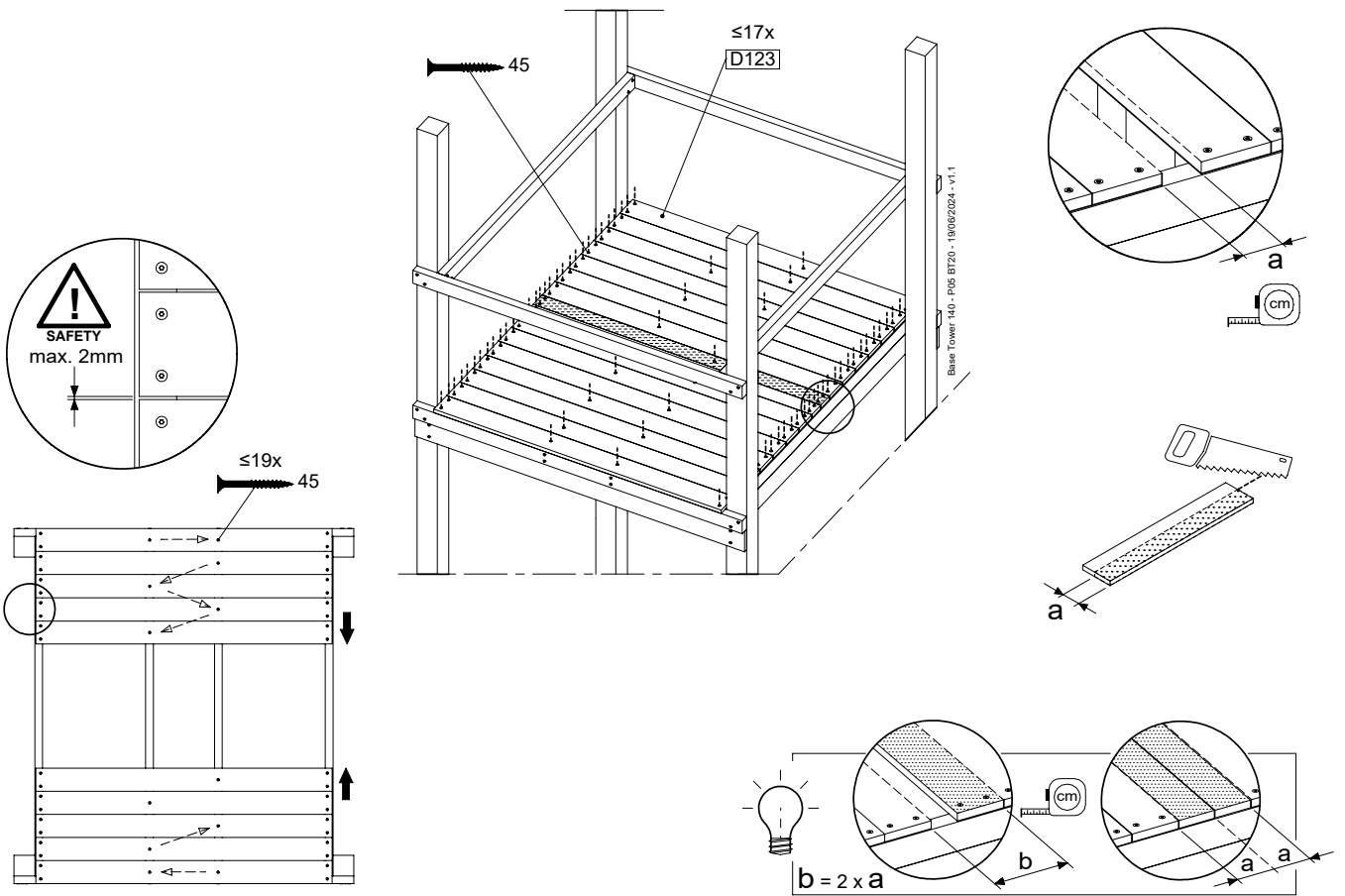
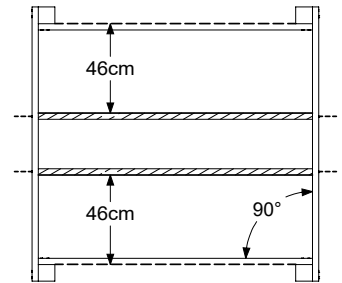
	PartNo	PartName	QTY.
Hardware + Parts	001_406	Stealth Screw 8x45	6
	001_417	Stealth Screw 8x80	4
	002_220	Gap Point Screw T25 - 5x45	135
	002_223	Gap Point Screw T25 - 5x80	40
	007_001	Ground-anchor	2
	022_31x	bpc-base version 3	8
	022_84x	bpc cover	8
Timber	B270	Post 90x90 L2700	4
	C141	Beam 1410 mm	10
	D123	Board 1230 mm	17
	D141	Board 1410 mm	12

Base Tower 140 - P02 BT20 - 19/08/2024 - v1.1



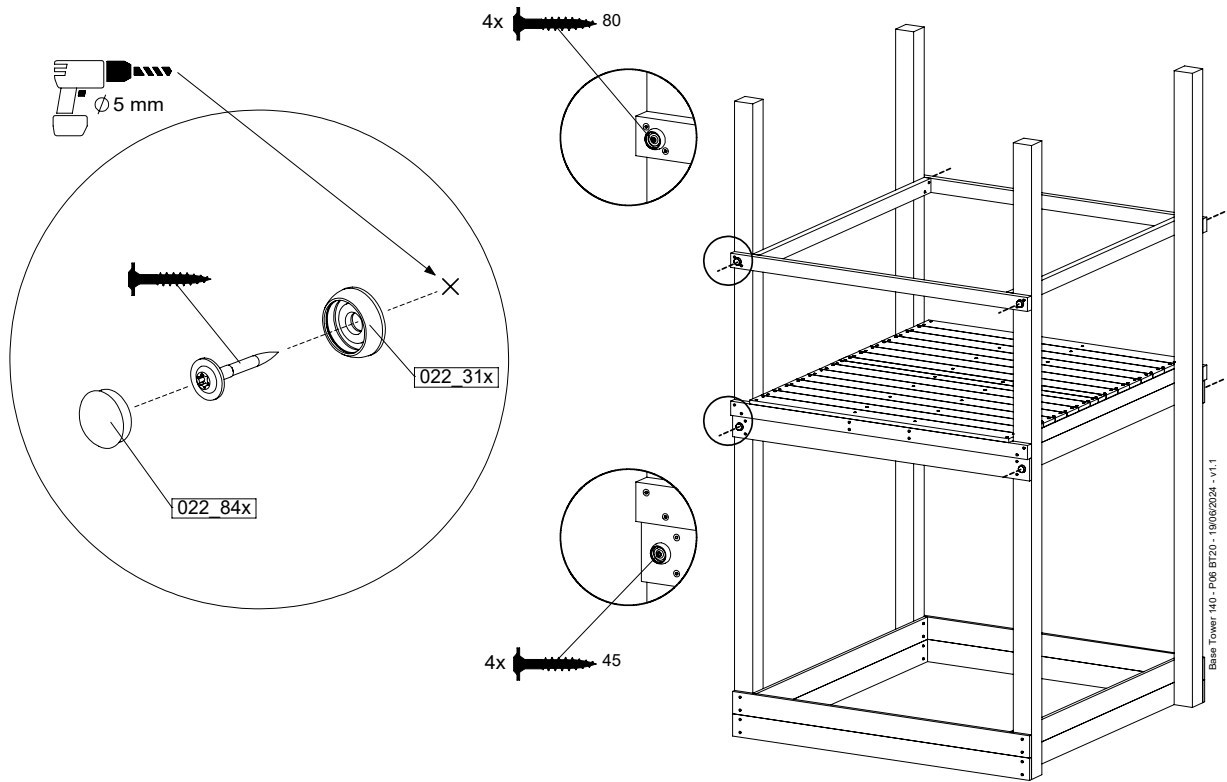


Base Tower 140 - P04 BT20 - 19/06/2024 - v1.1



Base Tower 140 - P05 BT20 - 19/06/2024 - v1.1

1.2

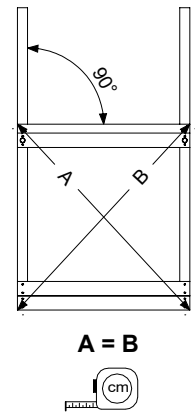
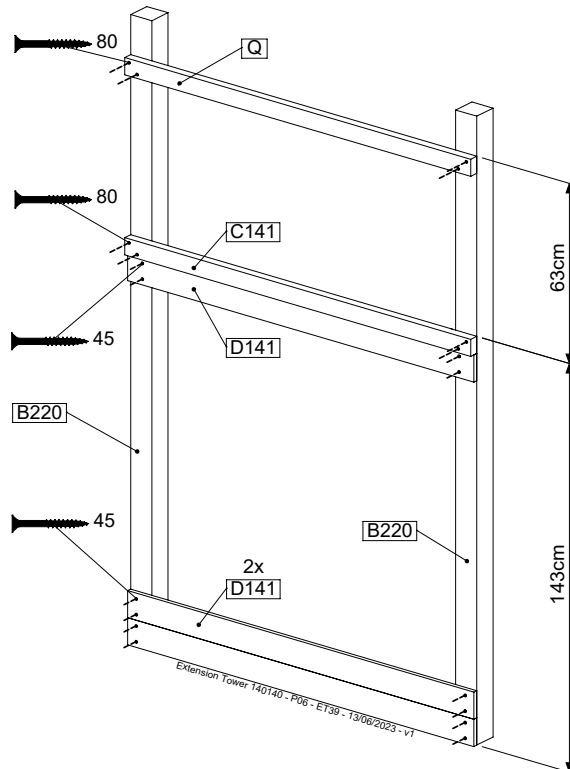
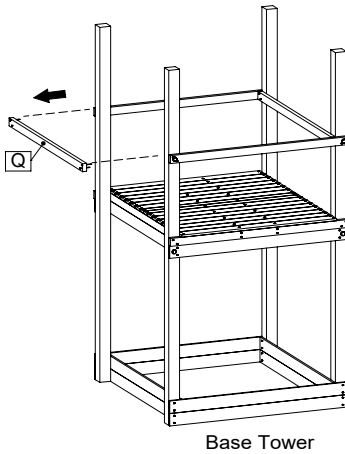
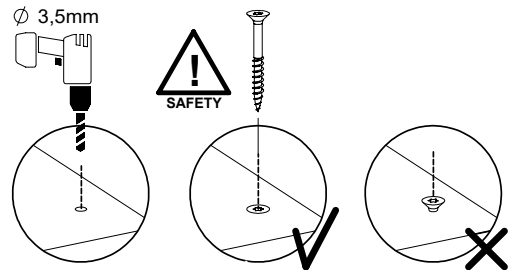
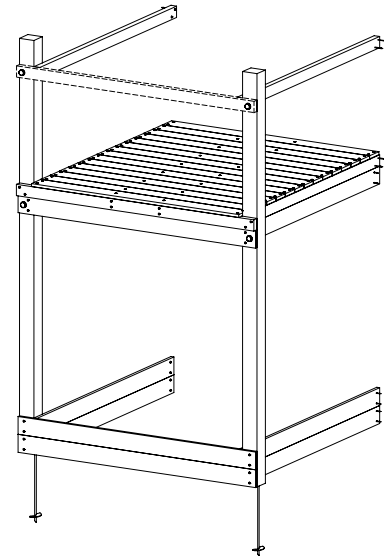


2 ET39a: Extension Tower 14080 220/145

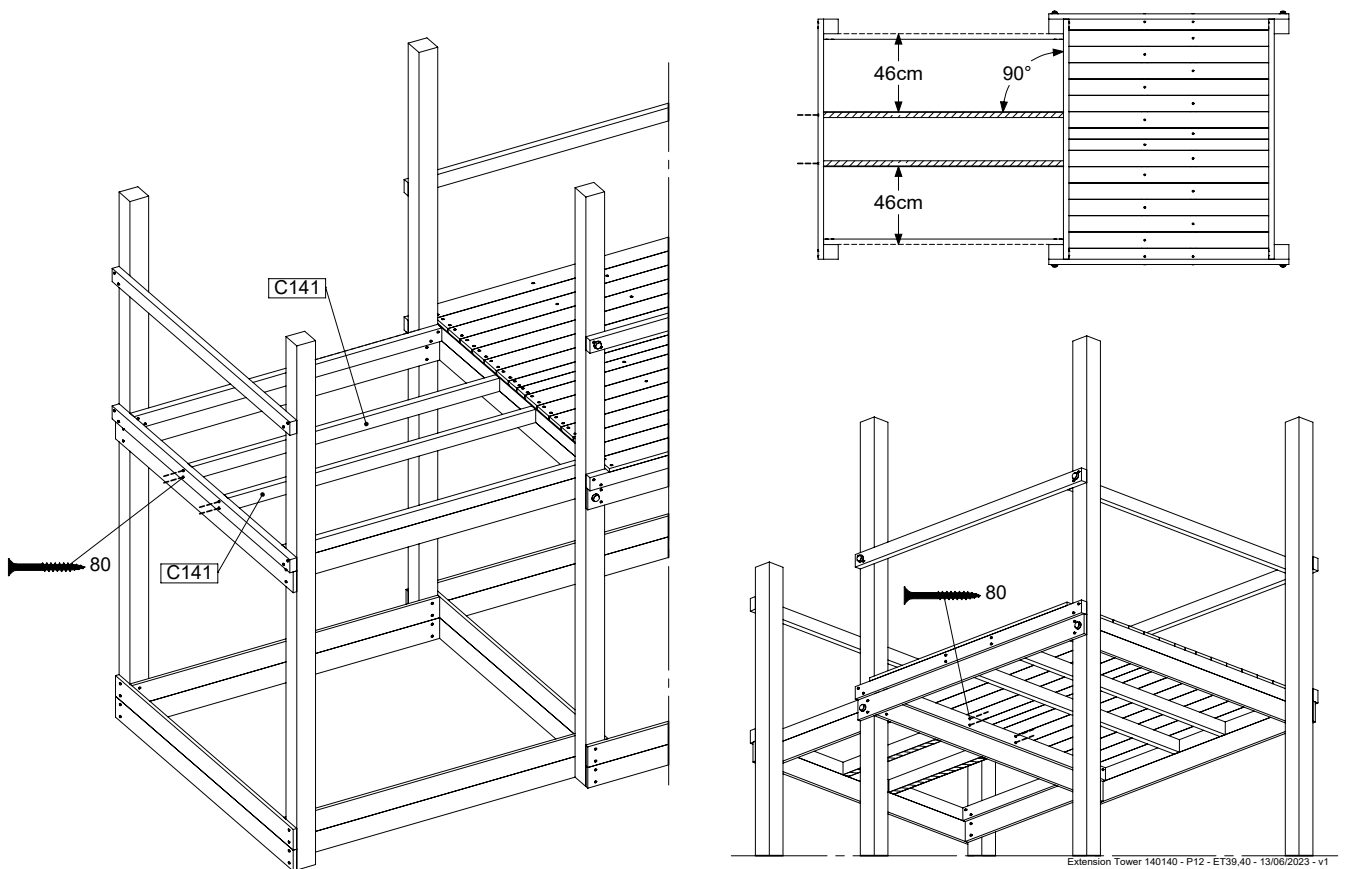
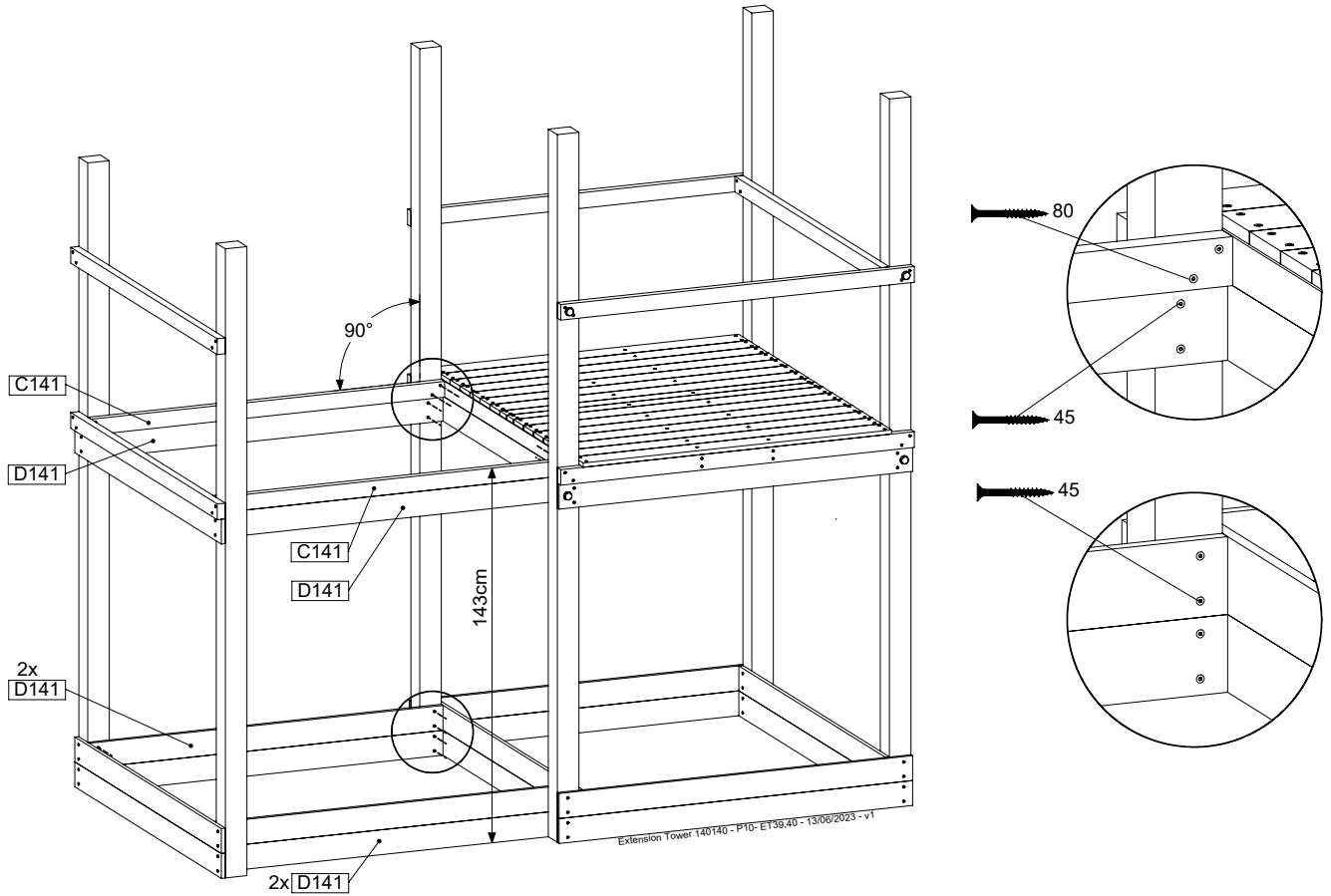
(194_500)

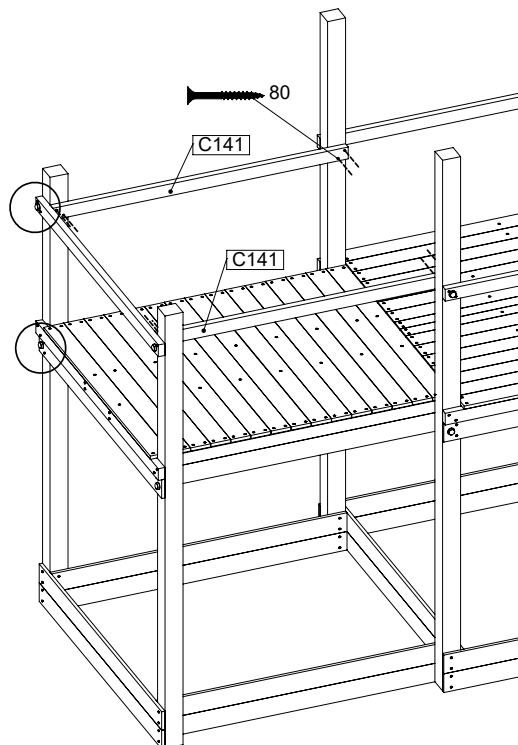
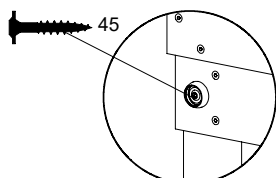
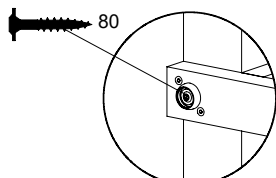
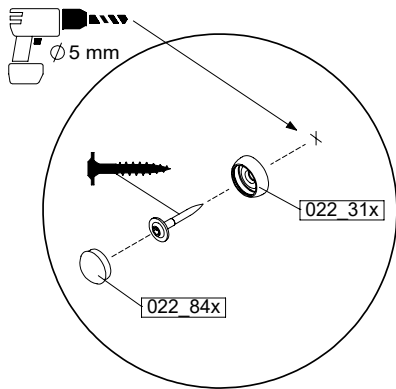
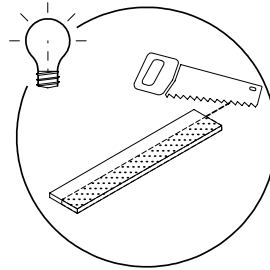
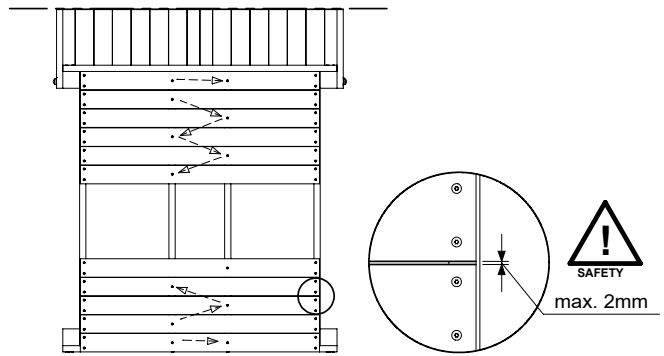
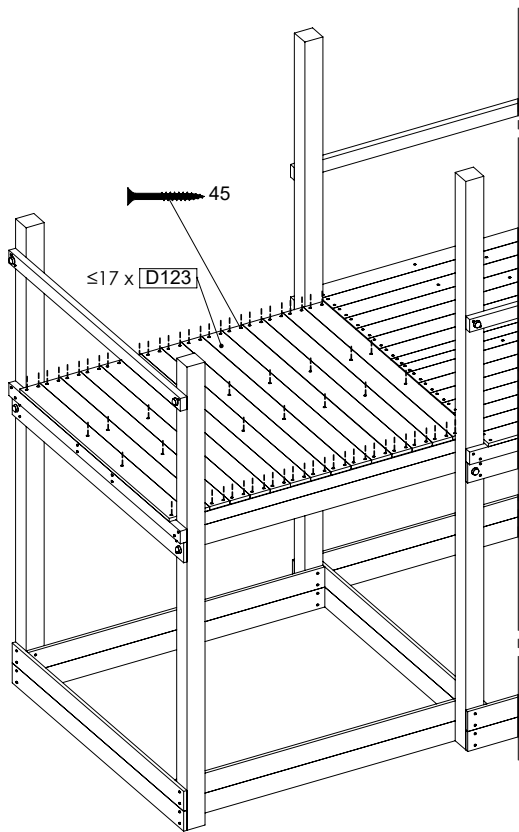
	PartNo	PartName	QTY.
Hardware pack	001_406	Stealth Screw 8x45	4
	001_417	Stealth Screw 8x80	2
	002_220	Gap Point Screw T25 - 5x45	123
	002_223	Gap Point Screw T25 - 5x80	28
Other	007_001	Ground-anchor	2
	022_31x	bpc-base version 3	4
	022_84x	bpc cover	4
Timber	B220	Post 90x90 L2200	2
	C141	Beam 1410 mm	7
	D123	Board 1230 mm	17
	D141	Board 1410 mm	9

Extension Tower 140140 - P02 - ET39 - 13/06/2023 - v1



2.1



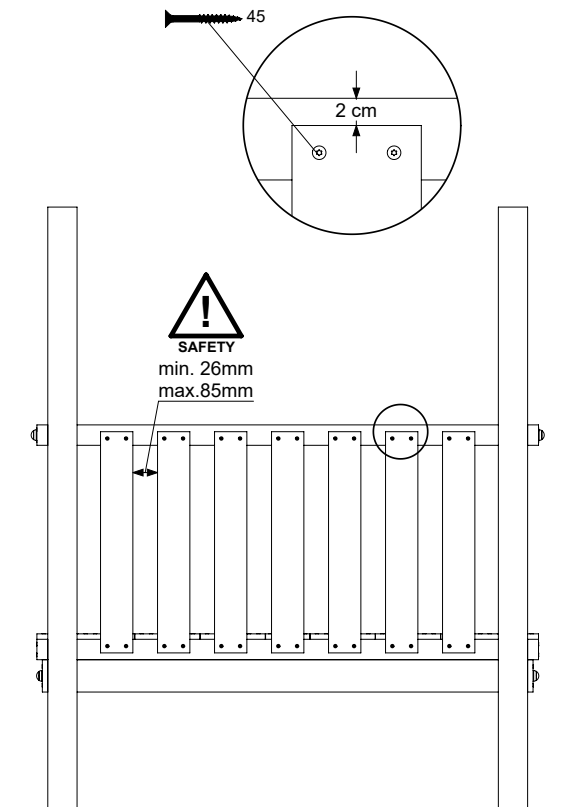
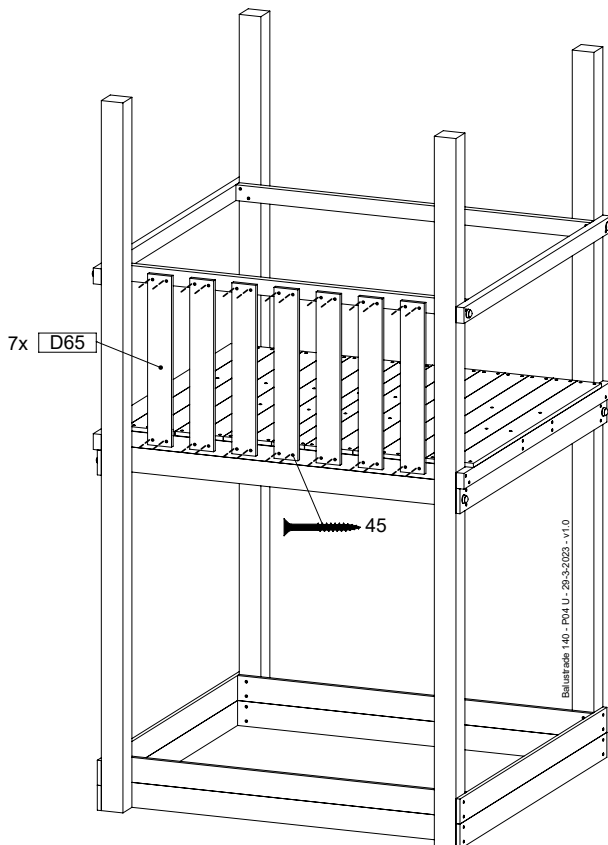
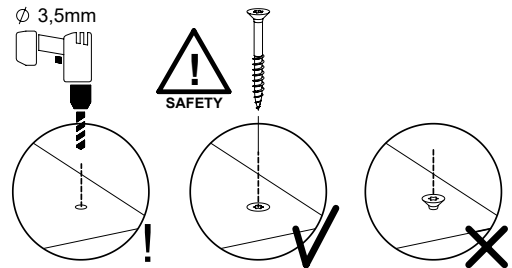
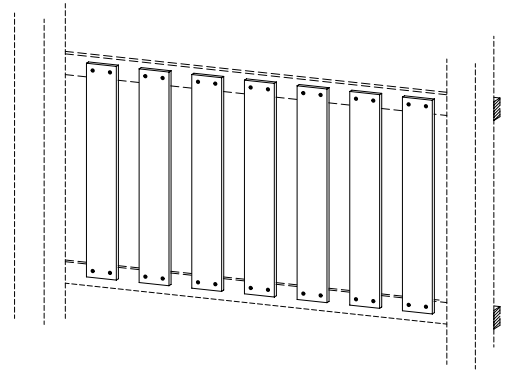


3 BL05a: Balustrade 140 U

(194_501)

	PartNo	PartName	QTY.
Hardware pack	002_220	Gap Point Screw T25 - 5x45	28
Timber	D65	Board 650 mm	7

Balustrade 140 - P02 U - 28-3-2023 - v1.0

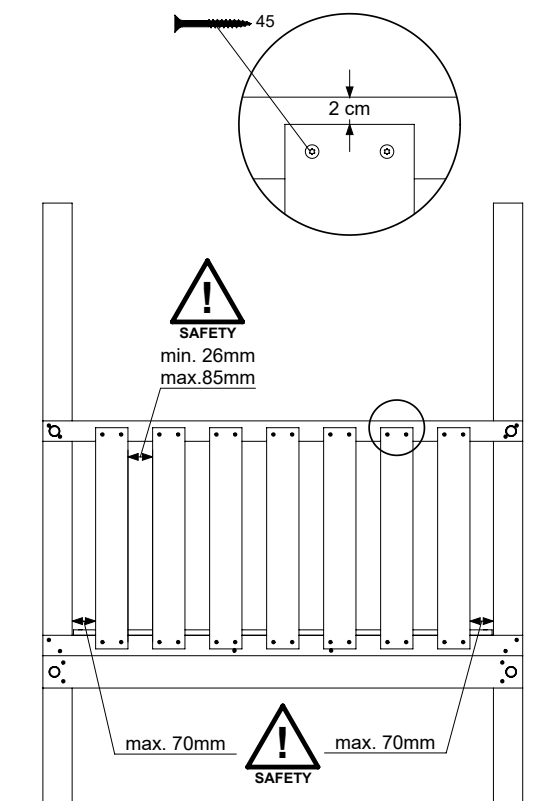
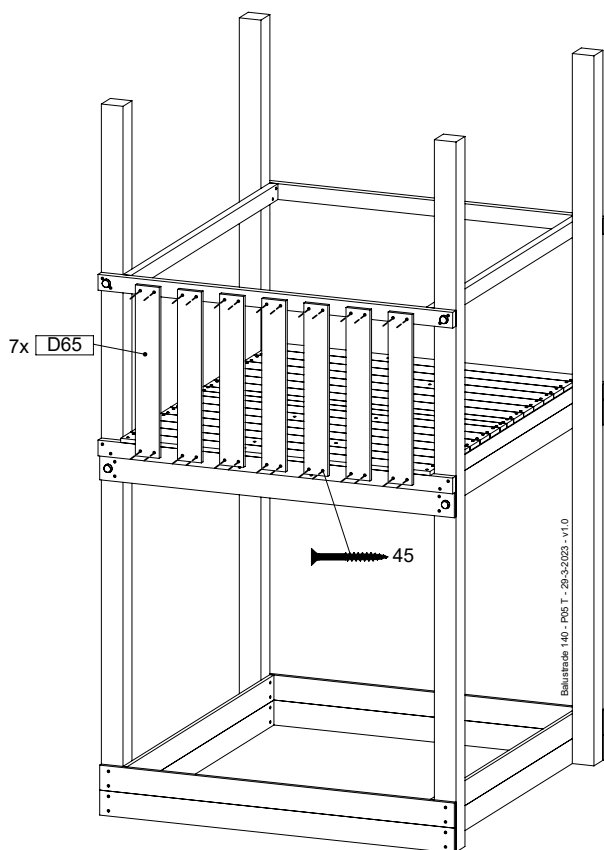
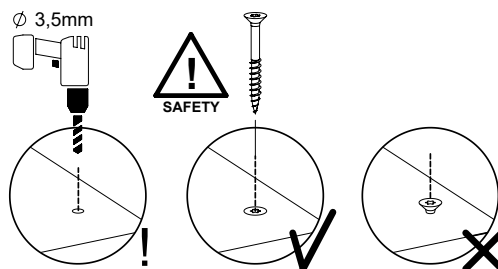
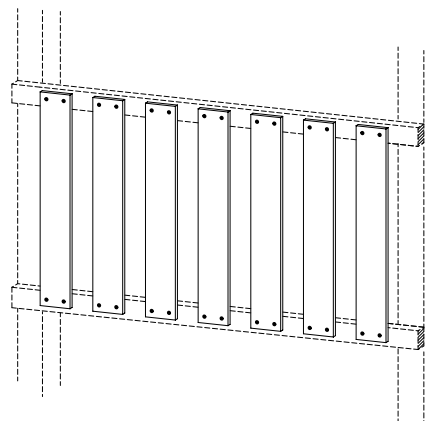


4 BL06a: Balustrade 140 T

(194_501)

	PartNo	PartName	QTY.
Hardware pack	002_220	Gap Point Screw T25 - 5x45	28
Timber	D65	Board 650 mm	7

Balustrade 140 - P03 T - 28-3-2023 - v1.0

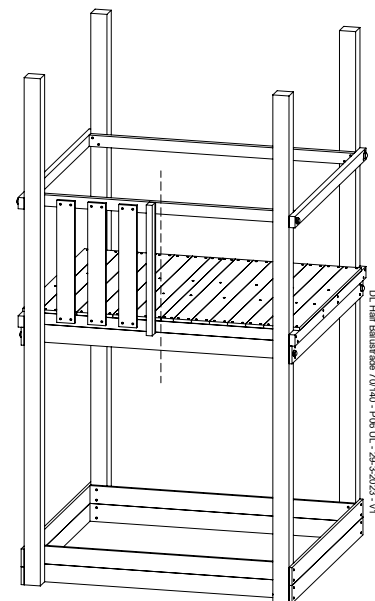
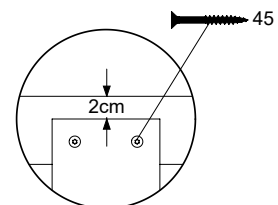
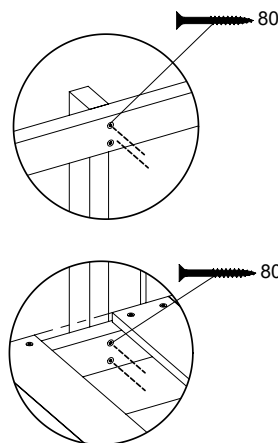
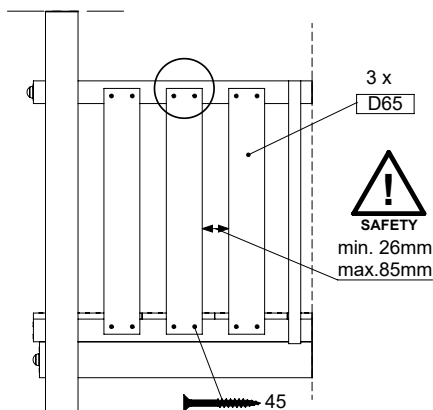
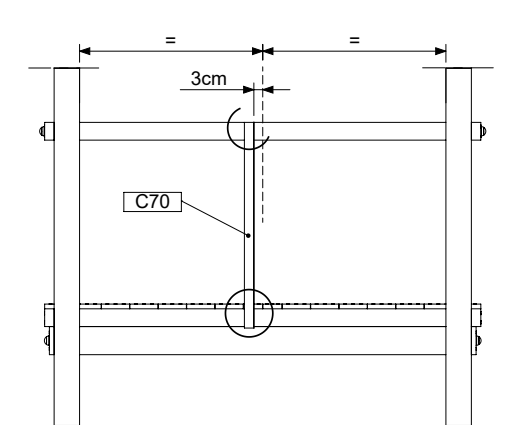
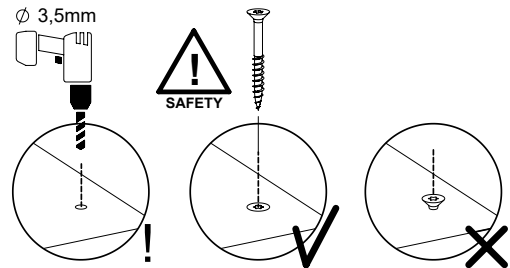
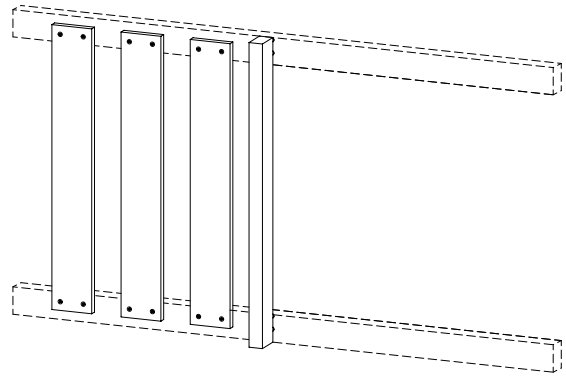


5 BL07a: Half Balustrade U Left

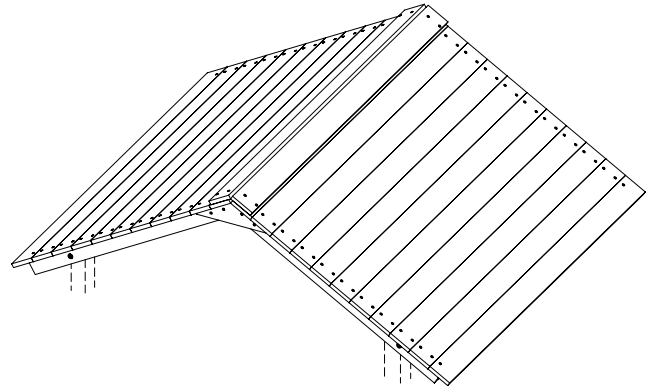
(194_101)

	PartNo	PartName	QTY.
Hardware pack	002_220	Gap Point Screw T25 - 5x45	12
	002_223	Gap Point Screw T25 - 5x80	4
Timber	C70	Beam 700 mm	1
	D65	Board 650 mm	3

DL Half Balustrade 70x140 - P02 UL - 28-3-2023 - v1



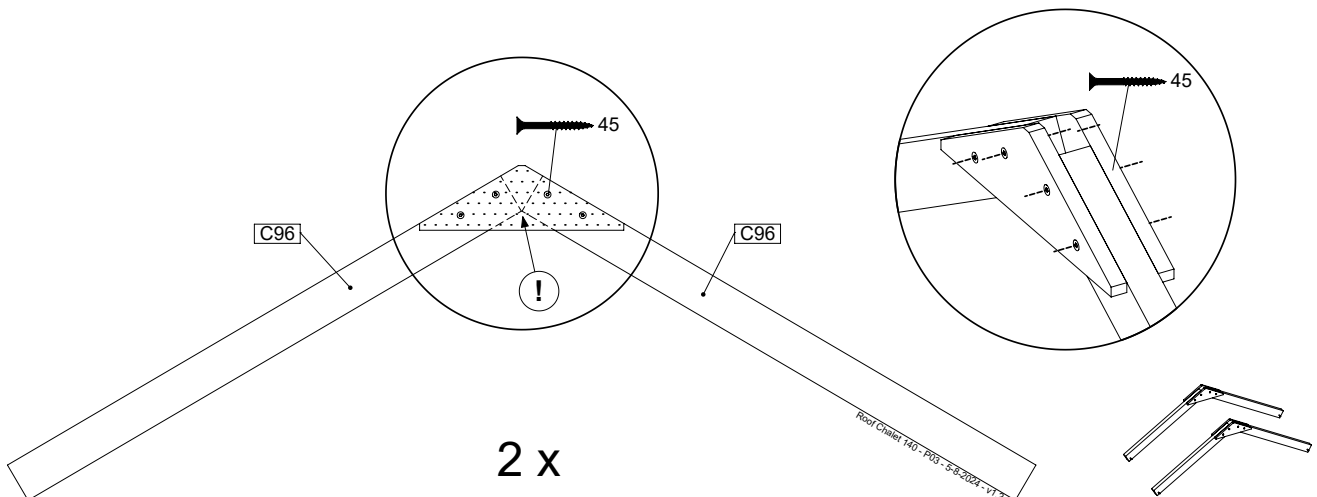
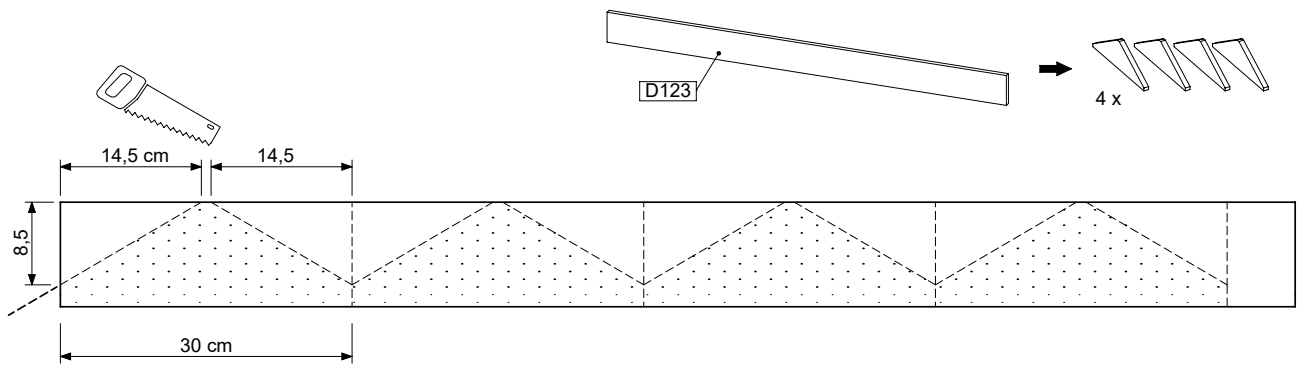
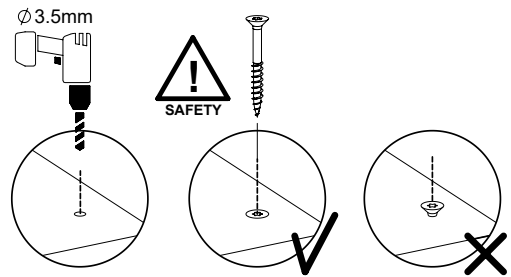
6 RF15b: Roof Timber Slope 140 - 2.0



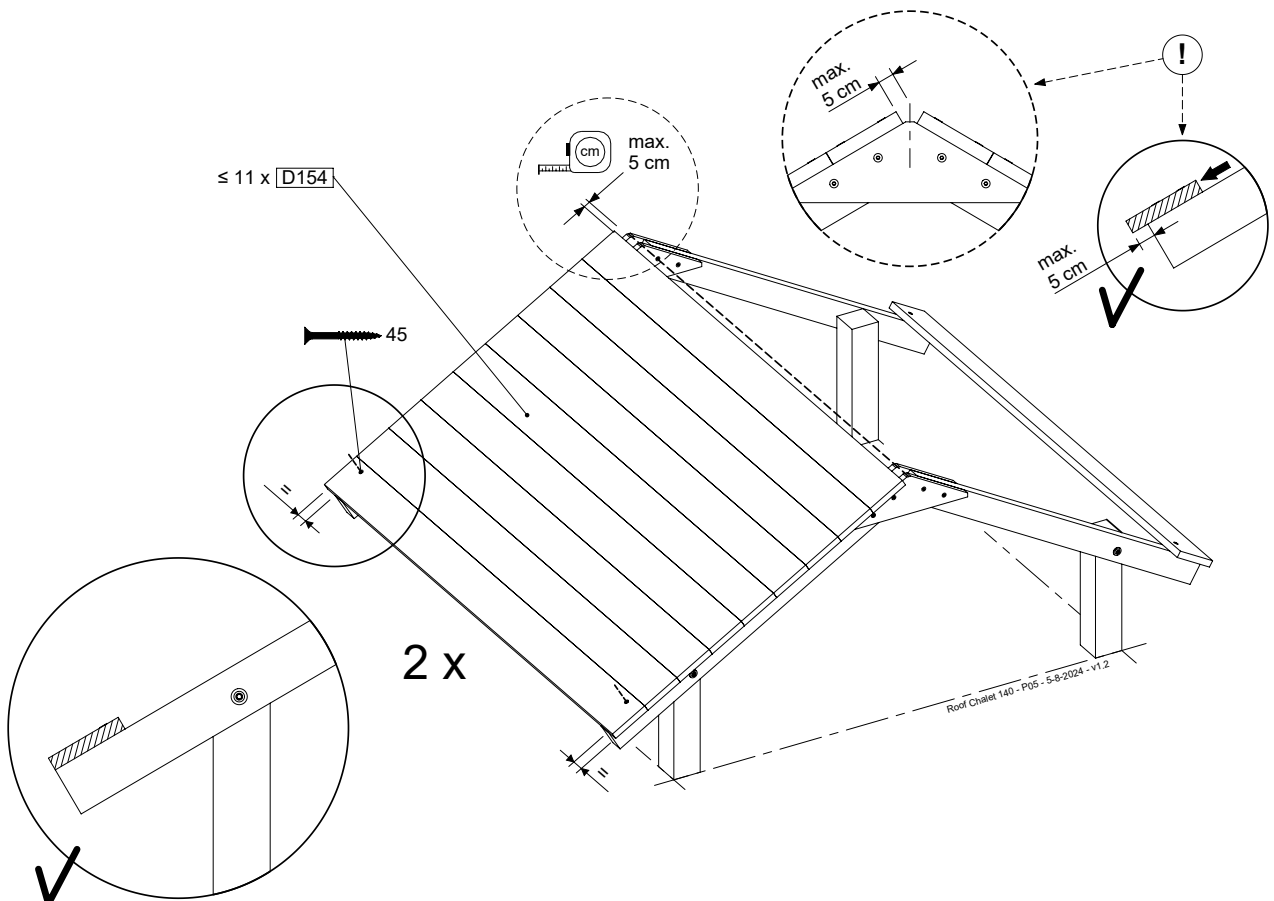
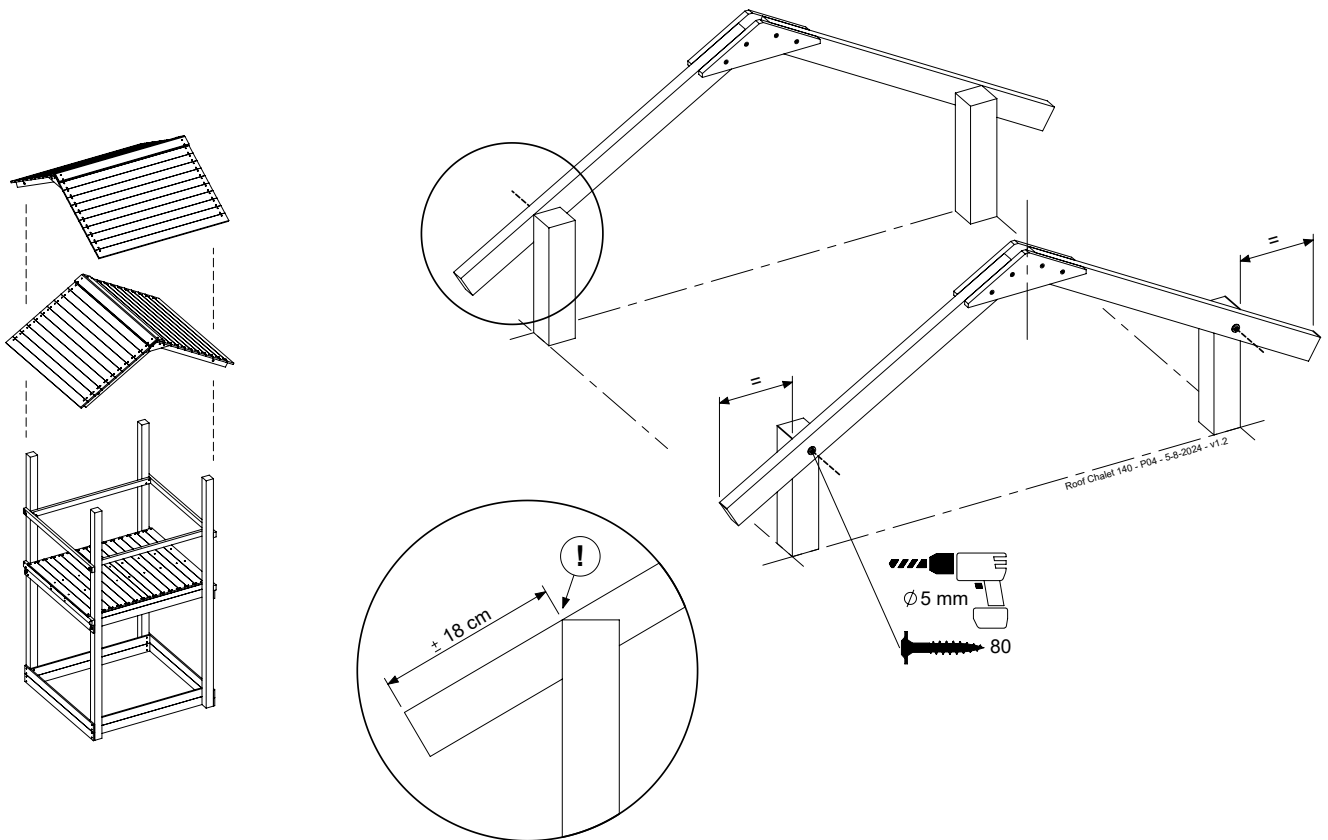
Assembly Pack: 194_508 / 194_804

	PartNo	PartName	QTY.
Hardware pack	001_417	Stealth Screw 8x80	4
	002_220	Gap Point Screw T25 - 5x45	108
Timber	C96	Beam 960 mm	4
	D123	Board 1230 mm	1
	D154	Board 1540 mm	24

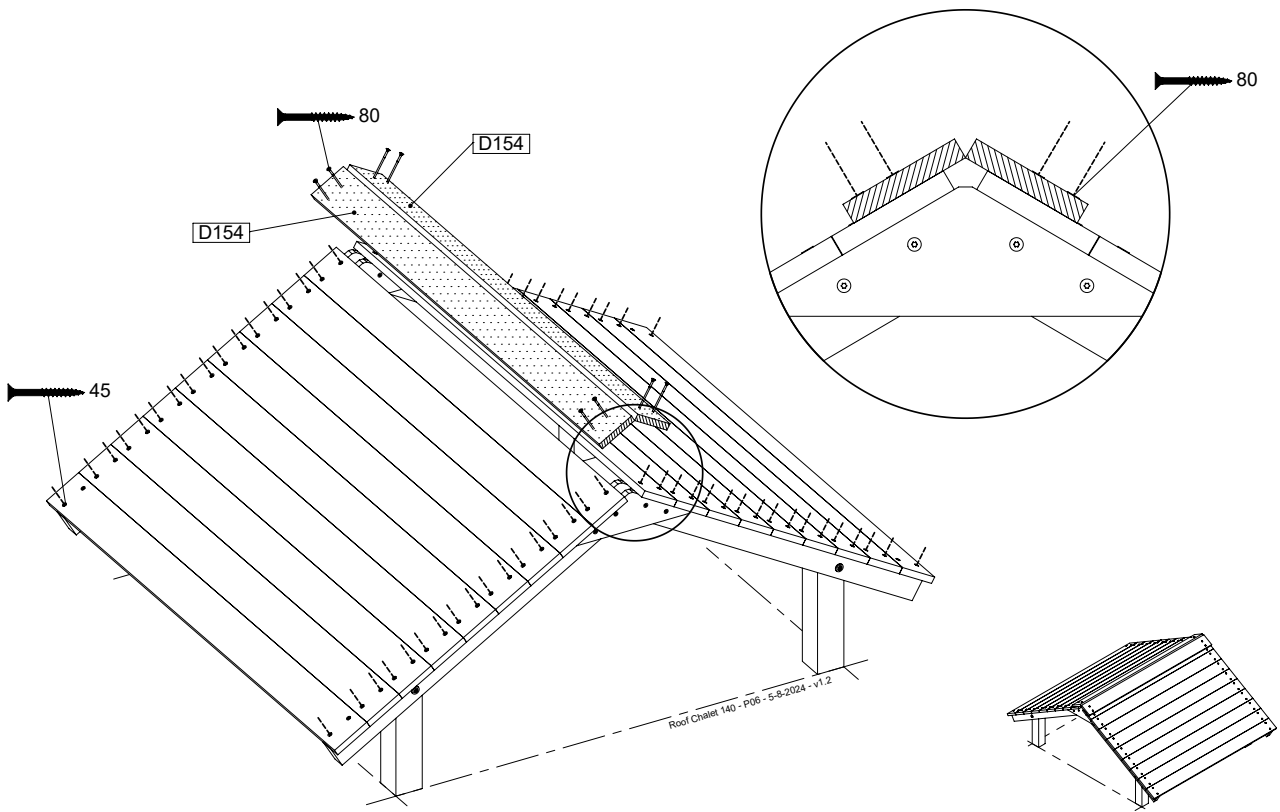
Roof Châlet 140 - P02 - 5-8-2024 - V1.2



6.1



6.2

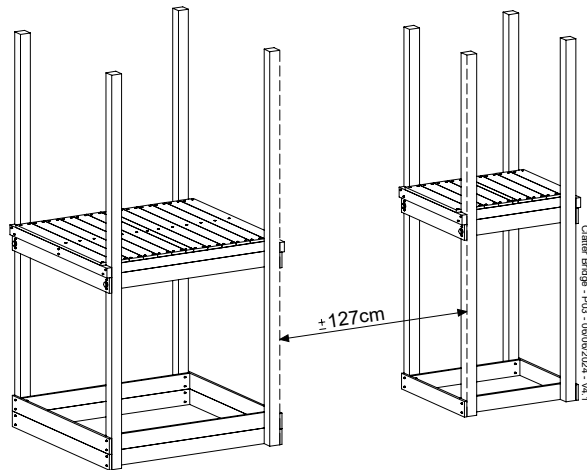
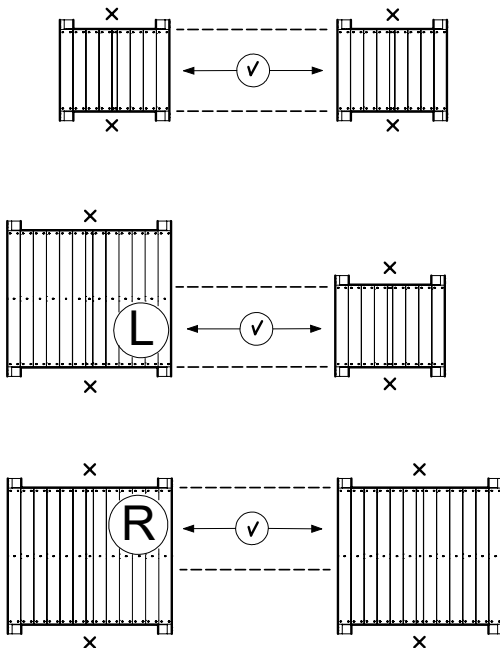
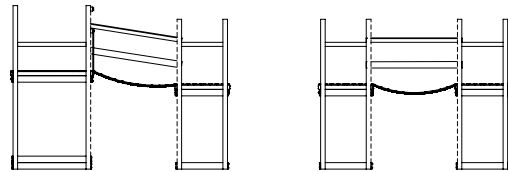
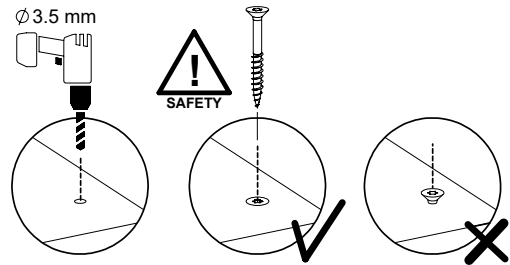
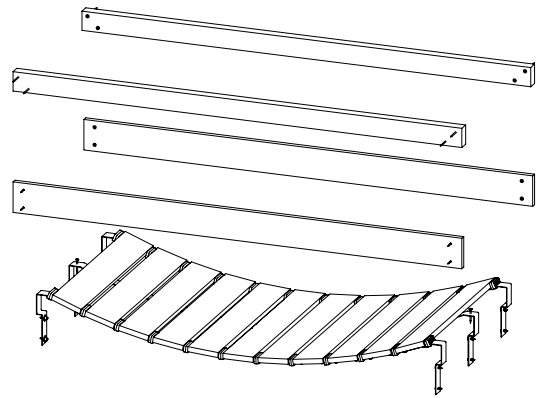


7 CB01a: Clatter Bridge - PART 1

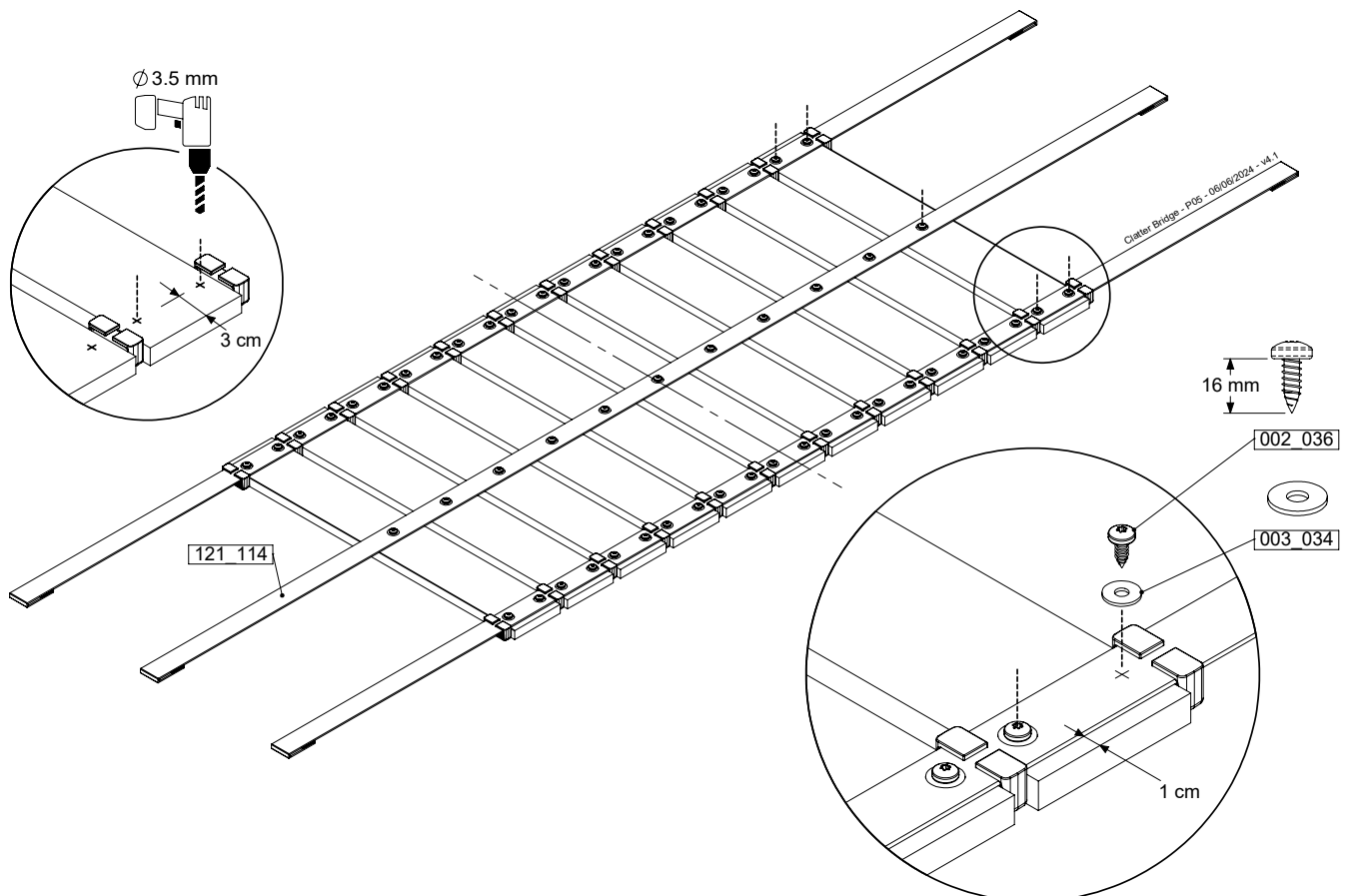
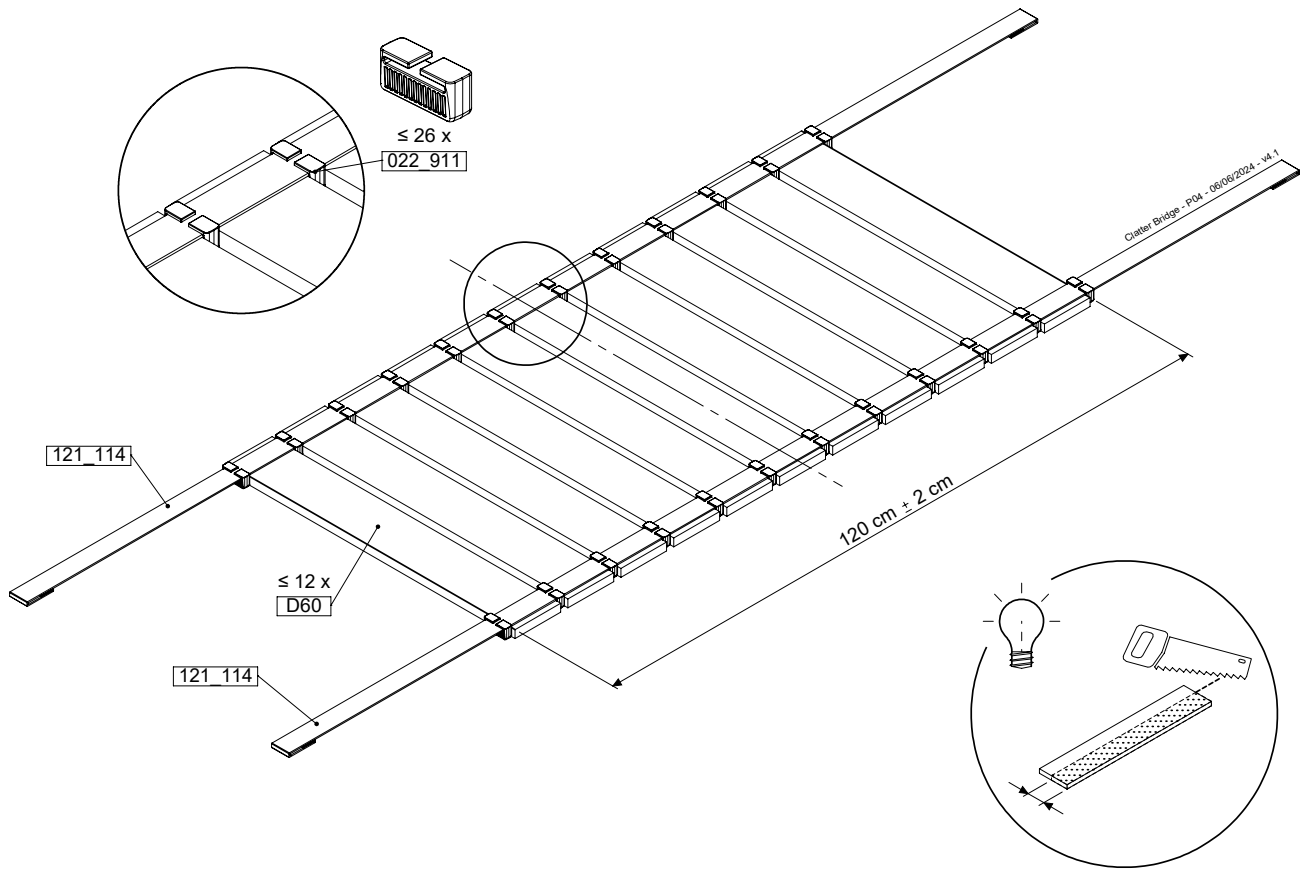
Assembly Pack: 194_116

	PartNo	PartName	QTY.
Hardware + Parts	002_036	16mm Pan Head Tapping Screw T25	72
	002_220	Gap Point Screw T25 - 5x45	10
	002_223	Gap Point Screw T25 - 5x80	12
	003_034	M6 Washer	72
	022_911	Bridge Spacer	26
	121_114	BridgeLink Strap 210cm	3
Timber	C141	Beam 1410 mm	2
	D60	Board 600 mm	12
	D141	Board 1410 mm	2

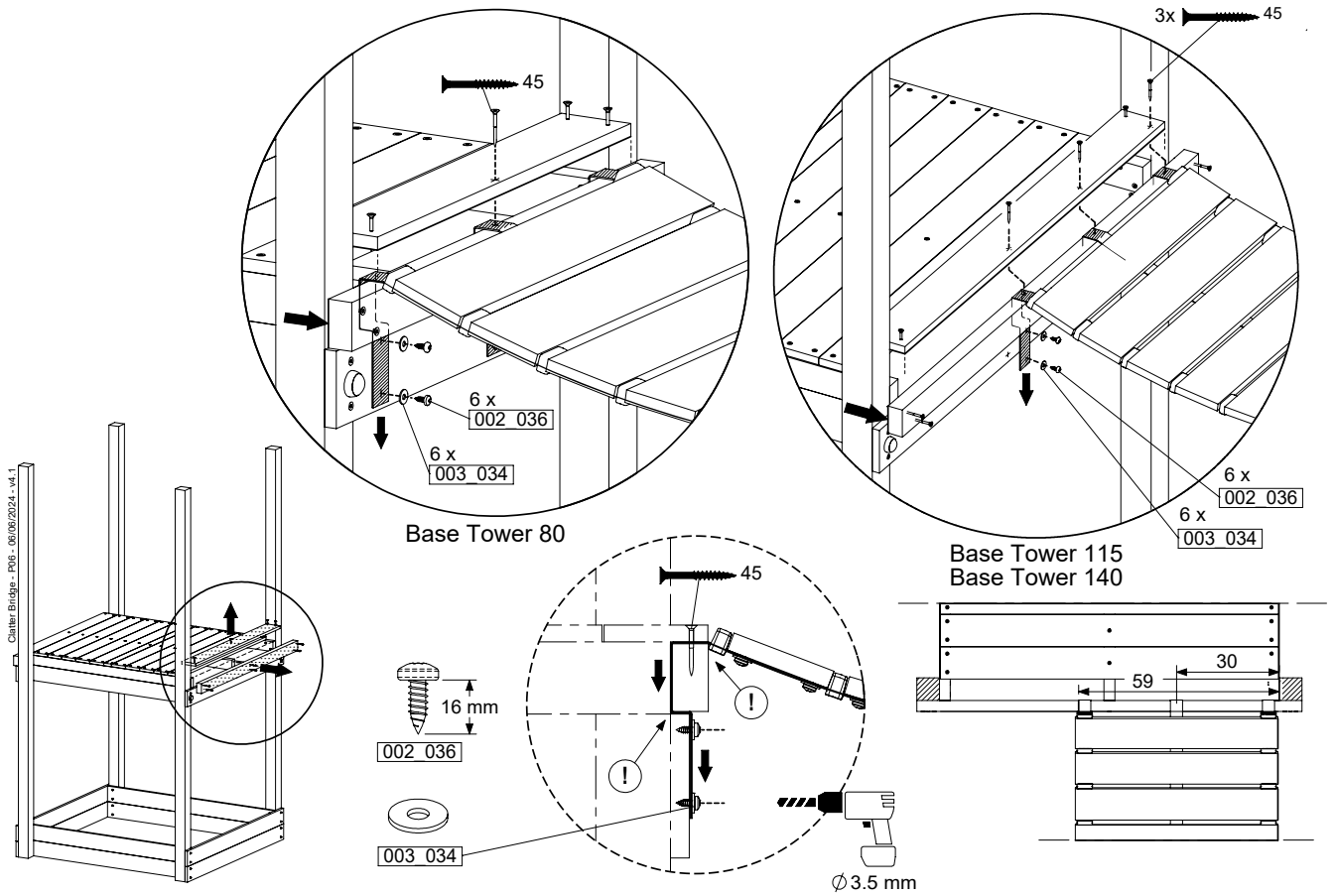
Clatter Bridge - P02 - 08/06/2024 - v4.1



7.1

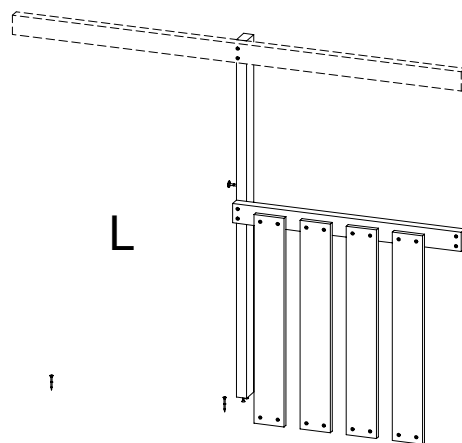


7.2



Climb Bridge - P106 - 06/08/2024 - v4.1

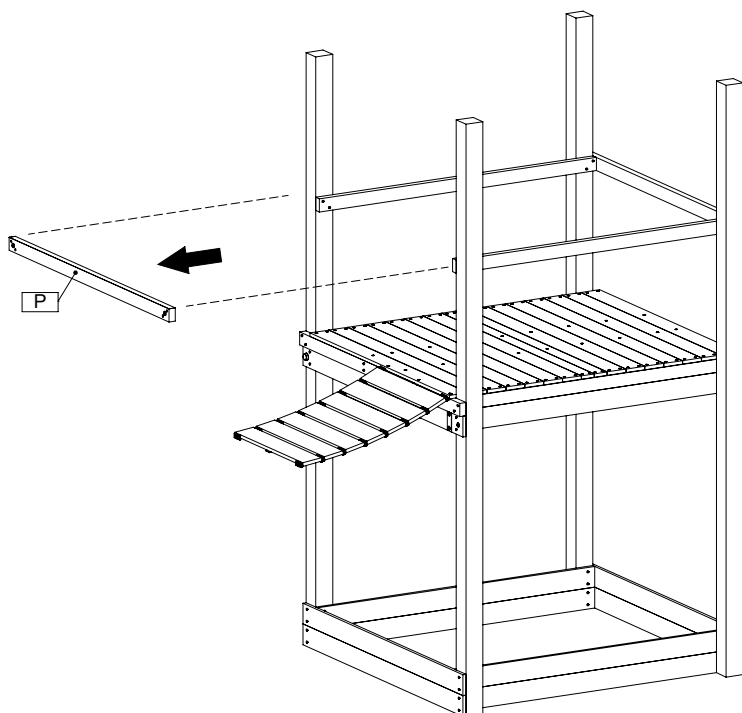
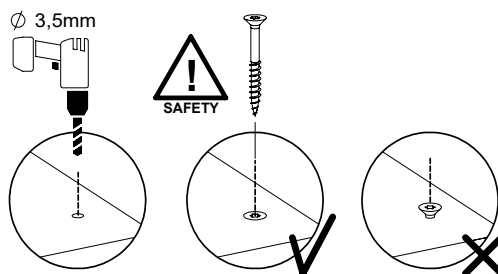
8 BF23a: Bridge Frame 140 T Left



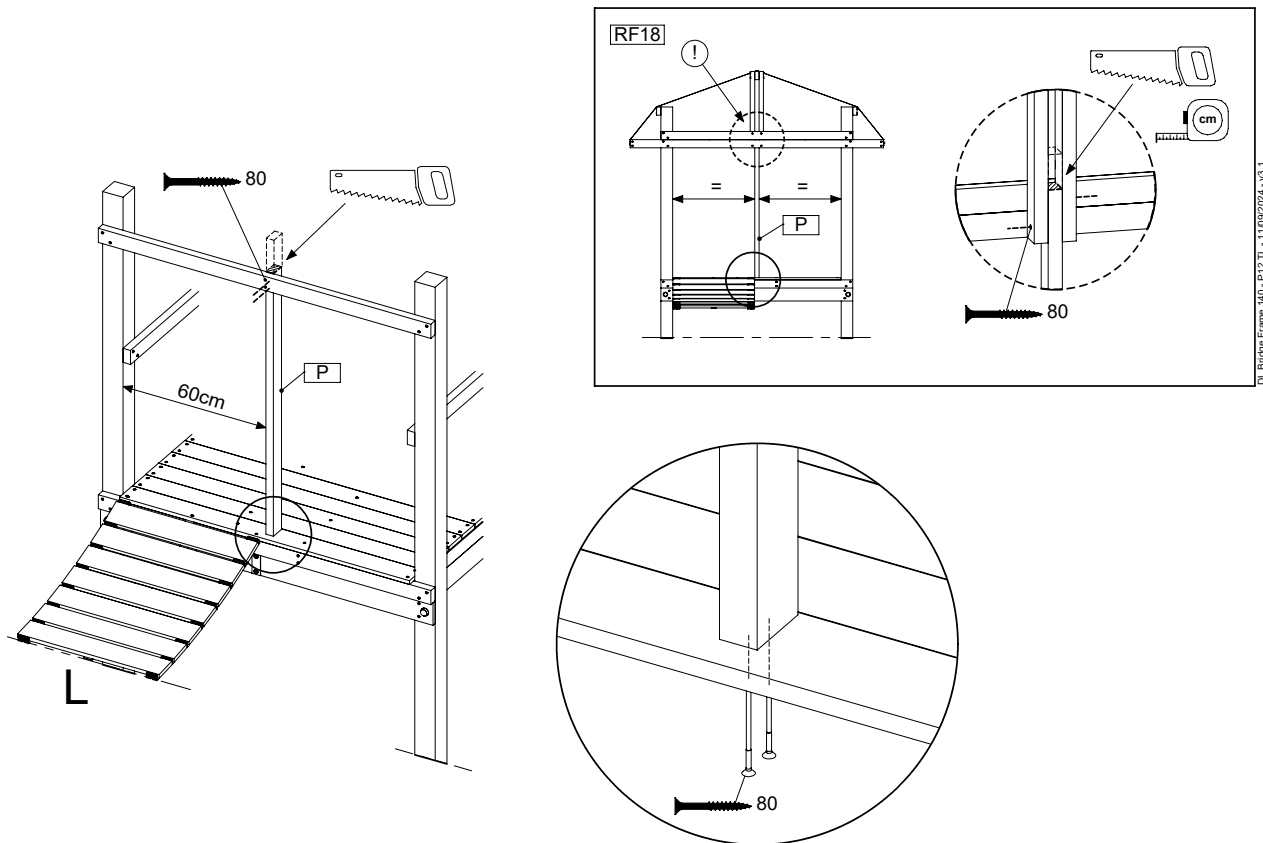
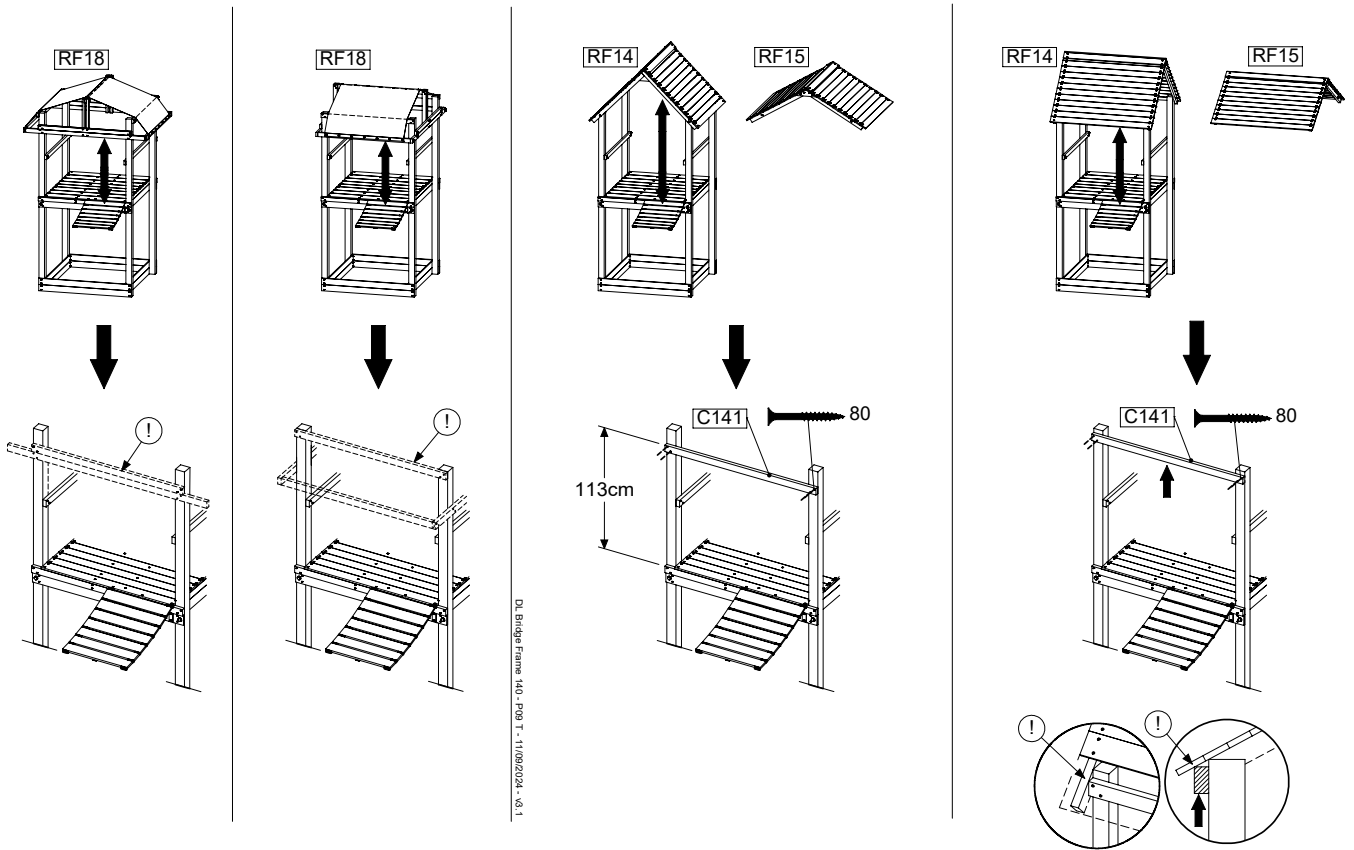
Assembly Pack: 194_007 (a) / 194_802 (b)

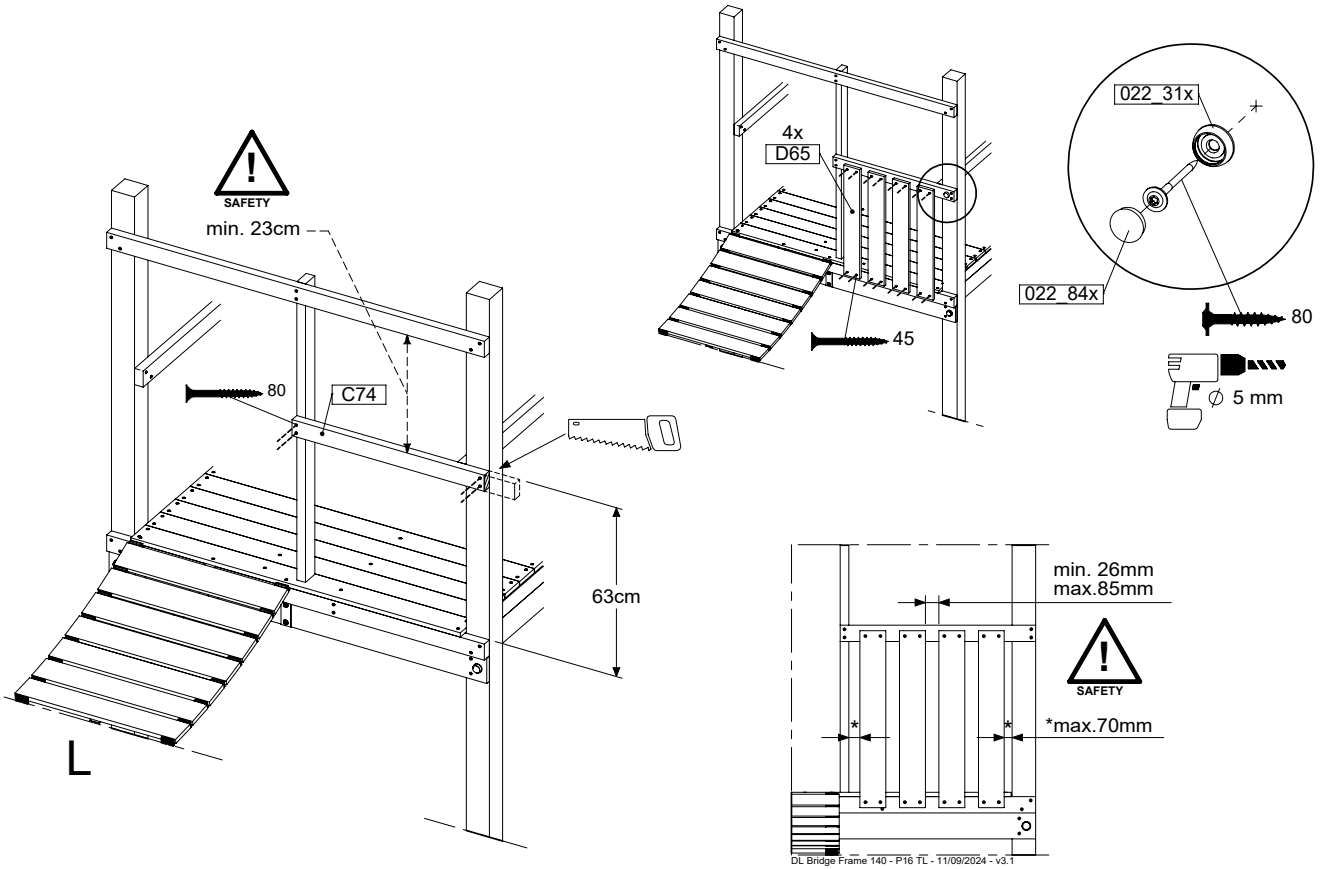
	PartNo	PartName	QTY.
Hardware + Parts	001_411	Stealth Screw 8x60	1
	002_220	Gap Point Screw T25 - 5x45	18
	002_223	Gap Point Screw T25 - 5x80	8
Timber	C74	Beam 740 mm	1
	C141	Beam 1410 mm	1
	D65	Board 650 mm	4

DL Bridge Frame 140 - P04 TL - 11/09/2024 - v3.1

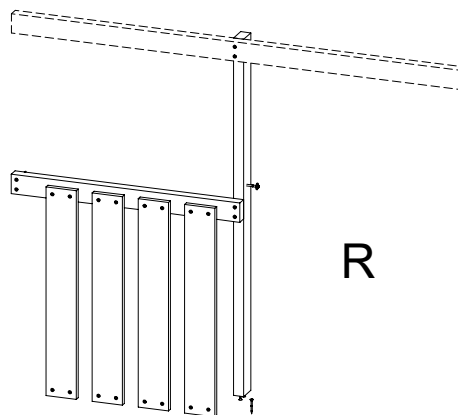


DL Bridge Frame 140 - P07 T - 11/09/2024 - v3.1





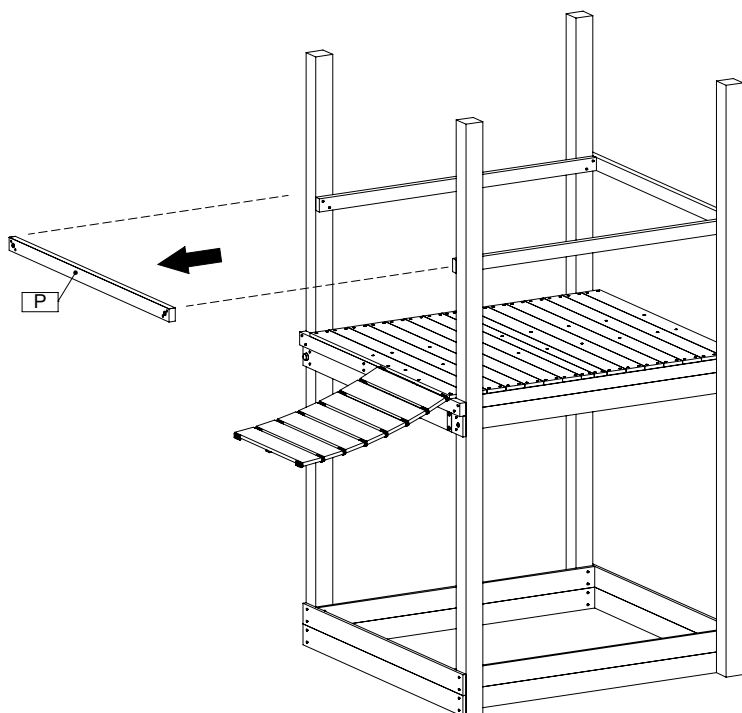
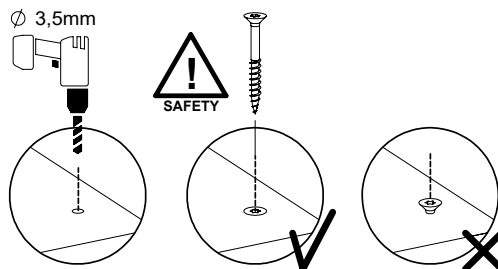
9 BF24a: Bridge Frame 140 T Right



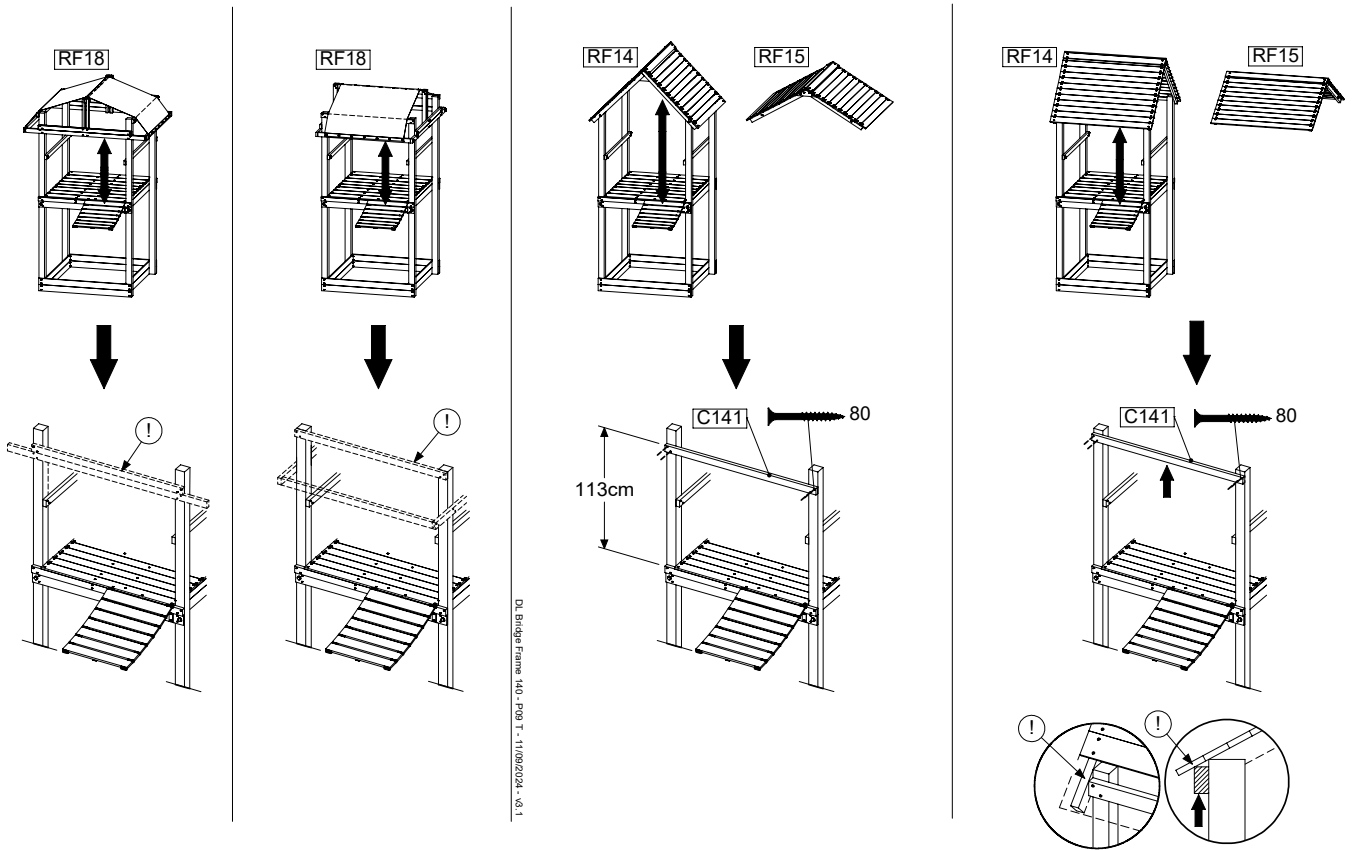
Assembly Pack: 194_007 (a) / 194_802 (b)

	PartNo	PartName	QTY.
Hardware + Parts	001_411	Stealth Screw 8x60	1
	002_220	Gap Point Screw T25 - 5x45	18
	002_223	Gap Point Screw T25 - 5x80	8
Timber	C74	Beam 740 mm	1
	C141	Beam 1410 mm	1
	D65	Board 650 mm	4

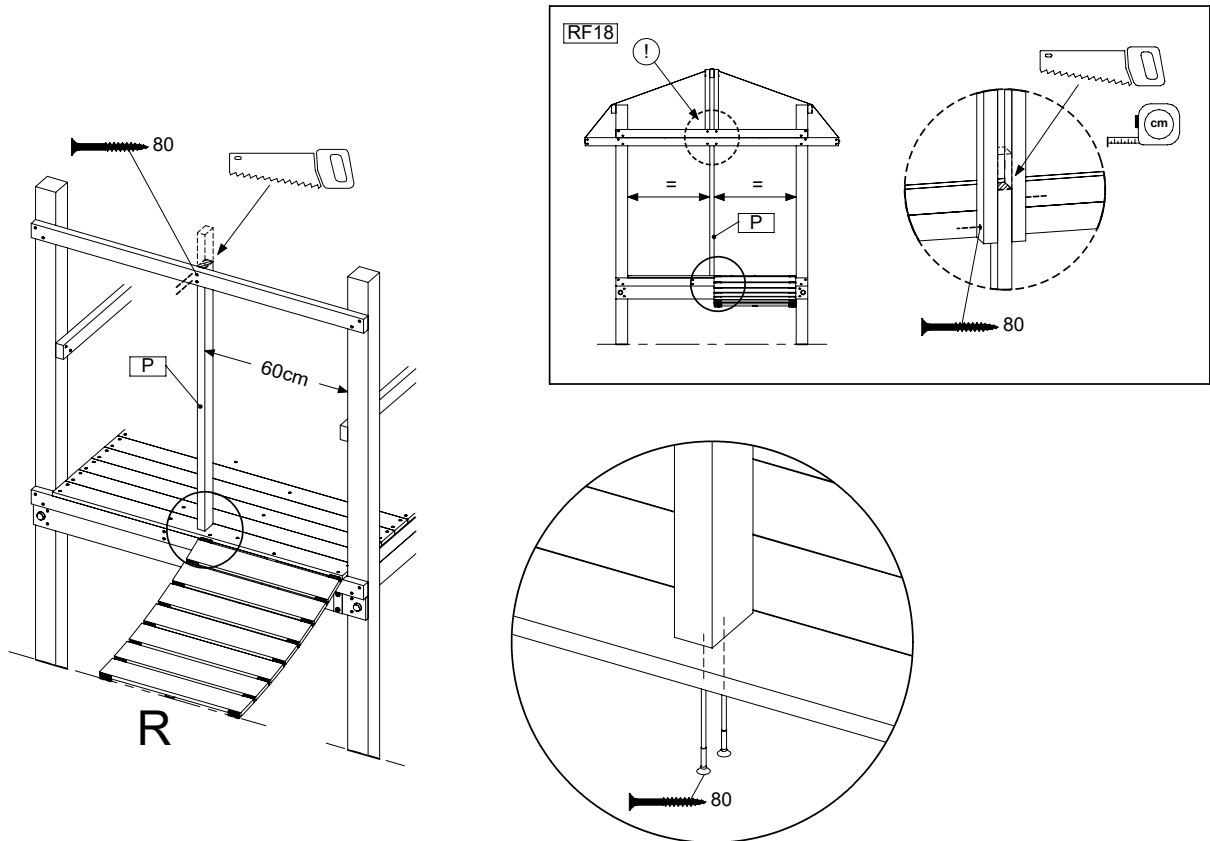
DL Bridge Frame 140 - P05 TR - 11/09/2024 - v3.1



DL Bridge Frame 140 - P07 T - 11/09/2024 - v3.1

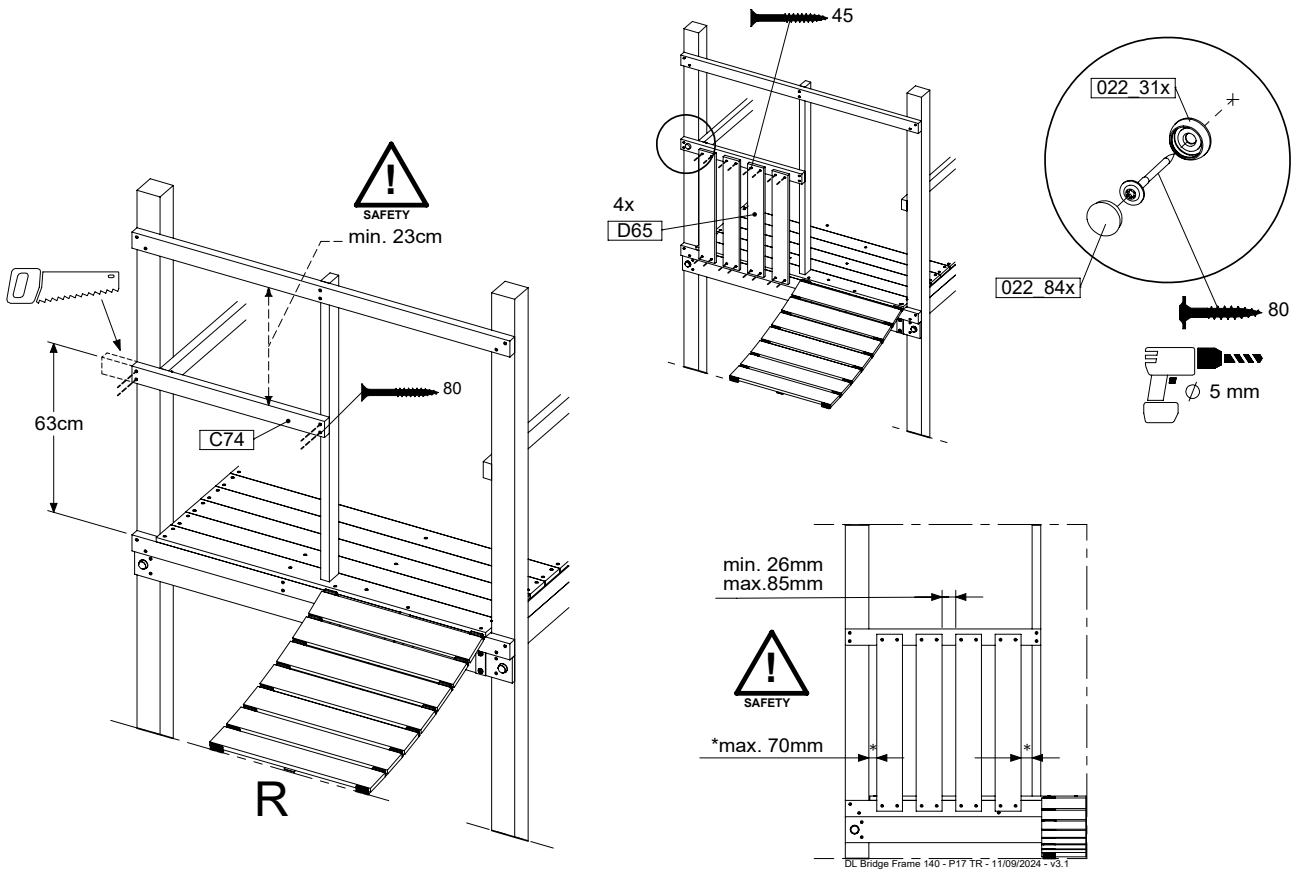


DL Bridge Frame 140 - P10 T - 11/09/2024 - v3.1

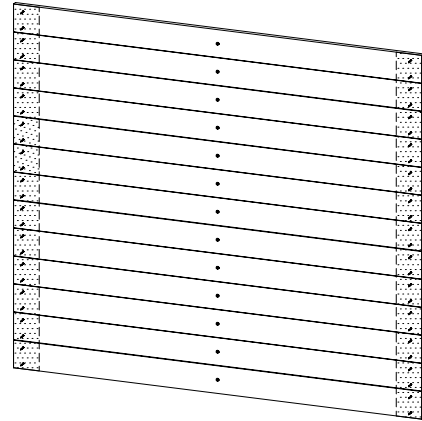
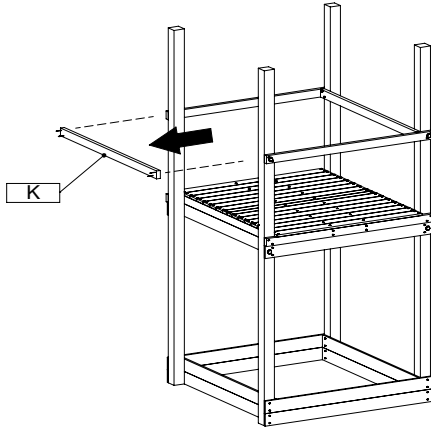


DL Bridge Frame 140 - P13 TR - 11/09/2024 - v3.1

9.2

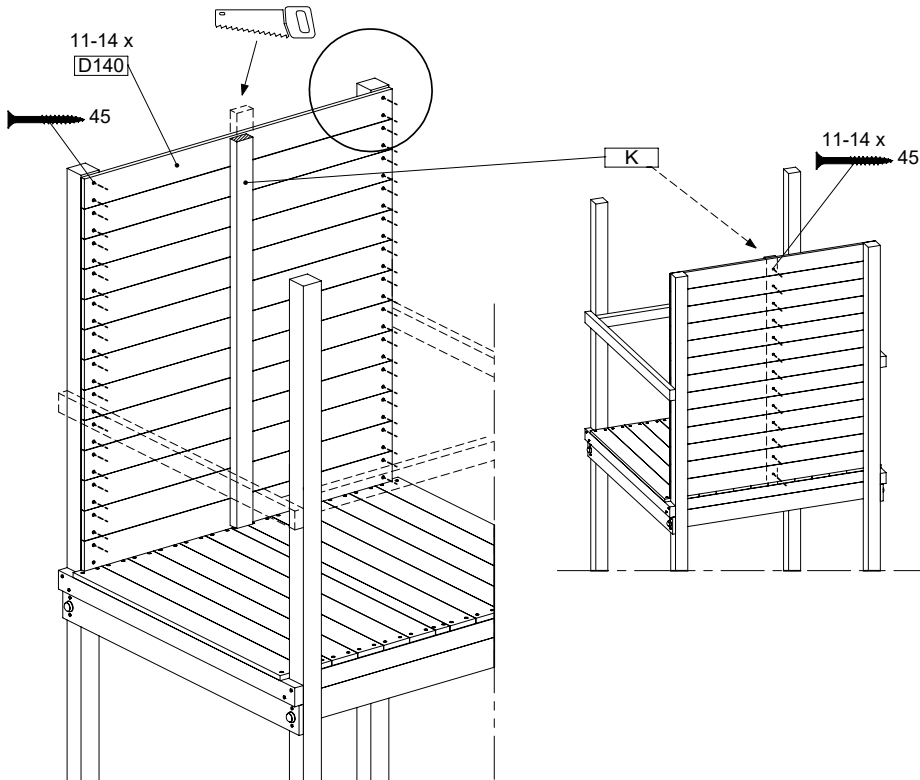
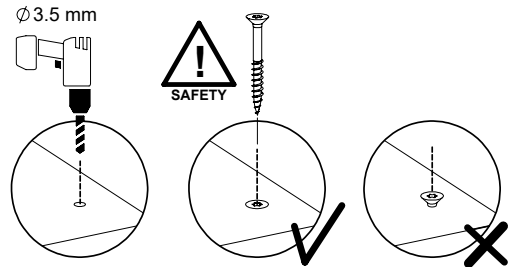


10 PH20a: Playhouse Wall Panel 140 U

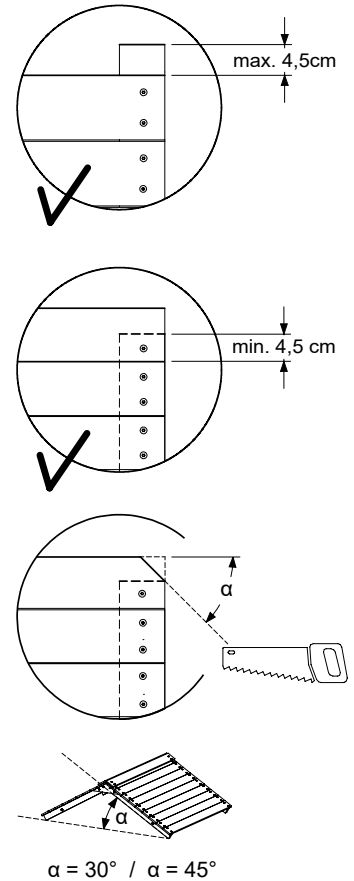


(194_809)

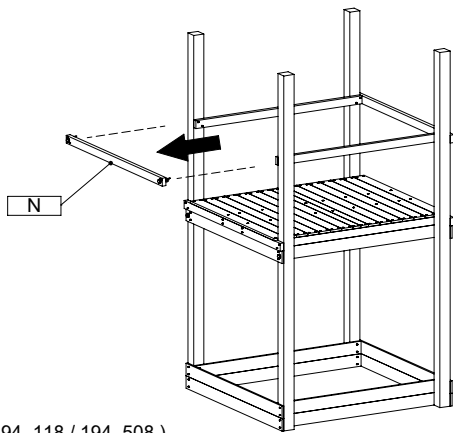
	PartNo	PartName	QTY.
Hardware Pack	002_220	Gap Point Screw T25 - 5x45	70
	D141	Board 1410 mm	14



Playhouse Wall 140 - P04 U - 07/12/2023 - v2



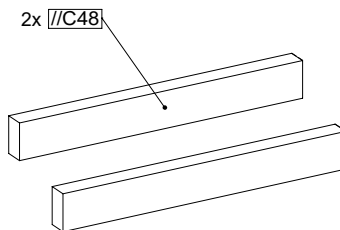
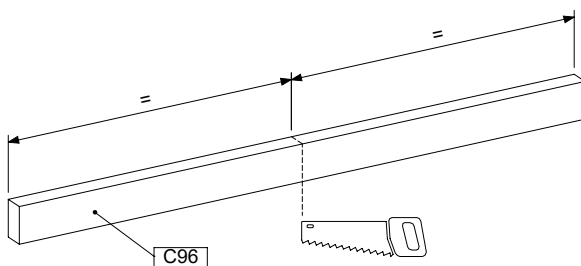
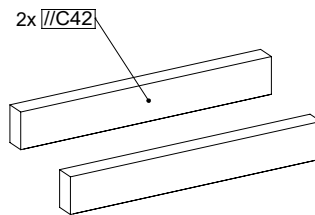
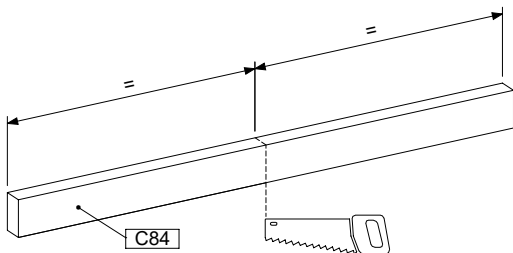
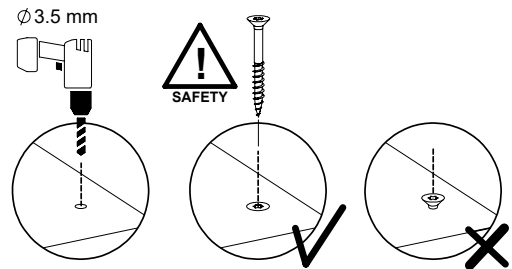
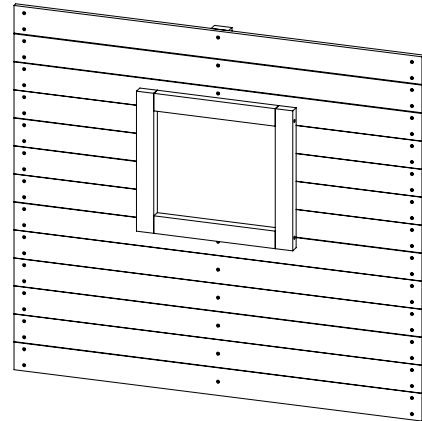
11 PH27c: Playhouse Window Panel 140 T 3.0

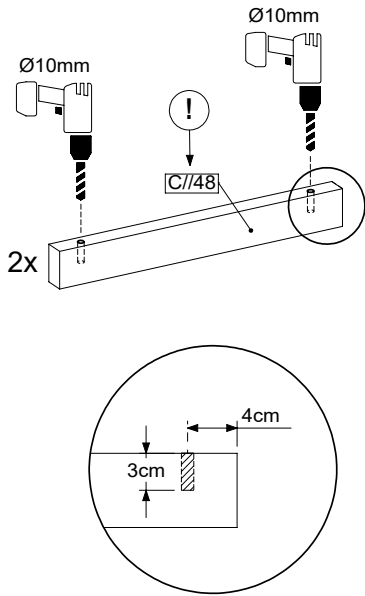


(194_118 / 194_508)

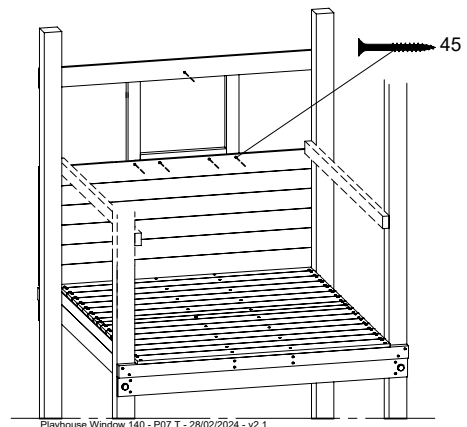
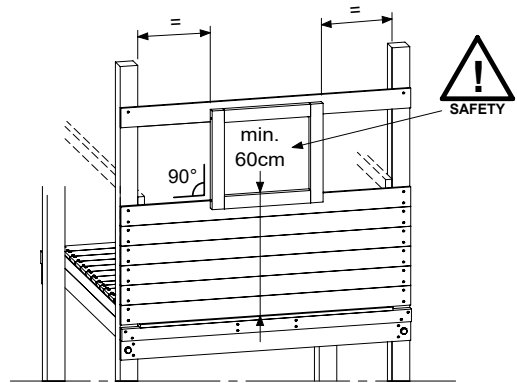
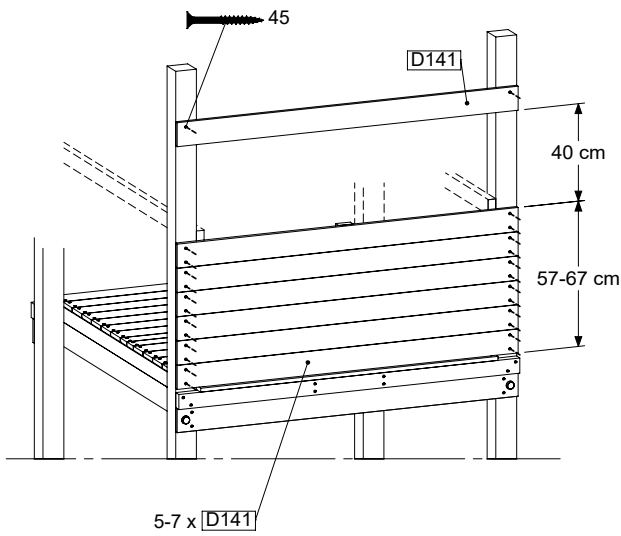
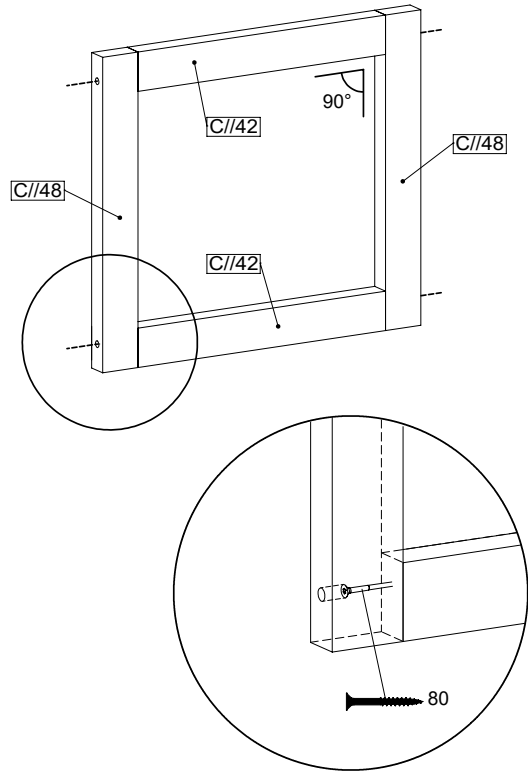
	PartNo	PartName	QTY.
Hardware Pack	002_220	Gap Point Screw T25 - 5x45	90
	002_223	Gap Point Screw T25 - 5x80	4
Timber	C84	Beam 840 mm	1
	C96	Beam 960 mm	1
	D47	Board 470 mm	8
	D141	Board 1410 mm	10

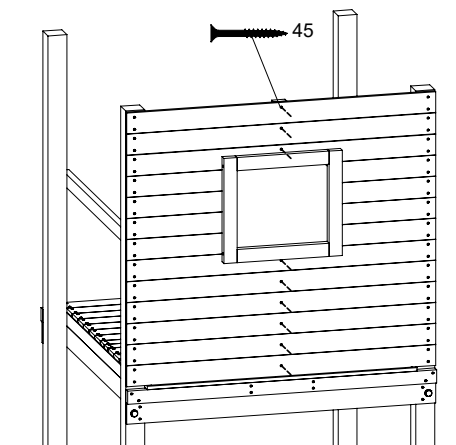
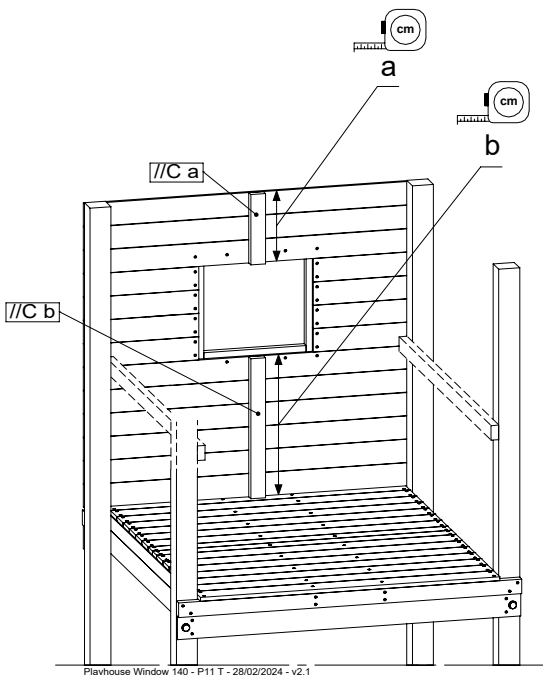
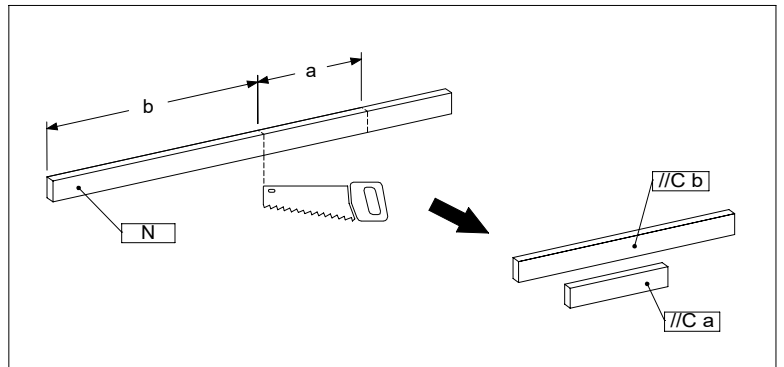
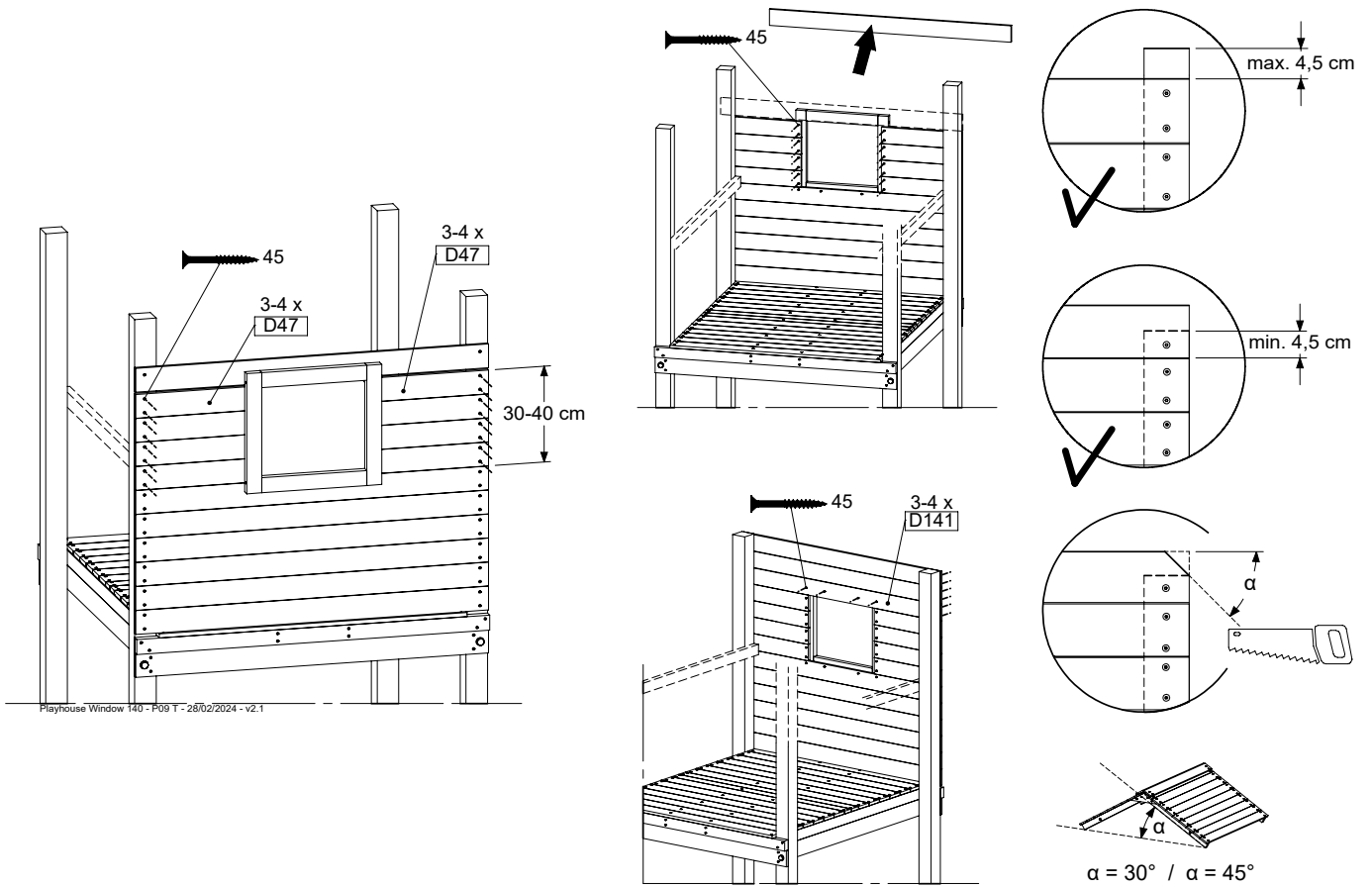
Playhouse Window 140 - P03 T - 28/02/2024 - v2.1



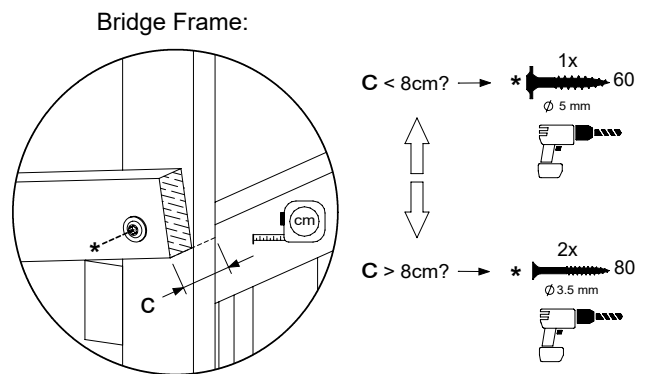
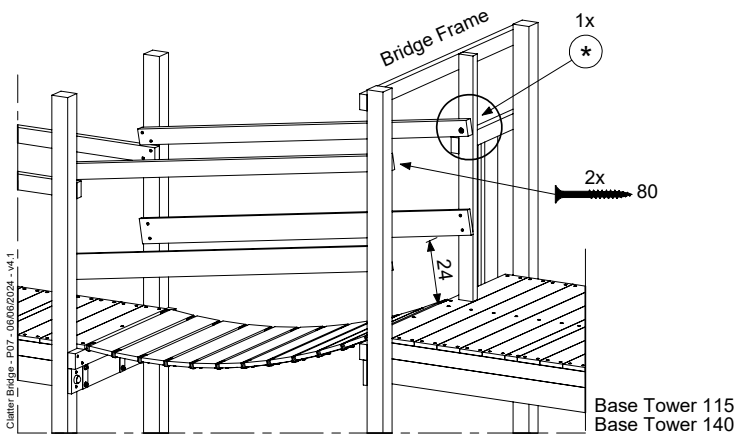
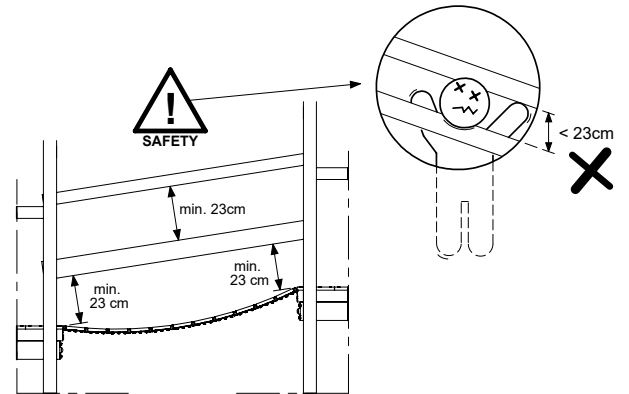
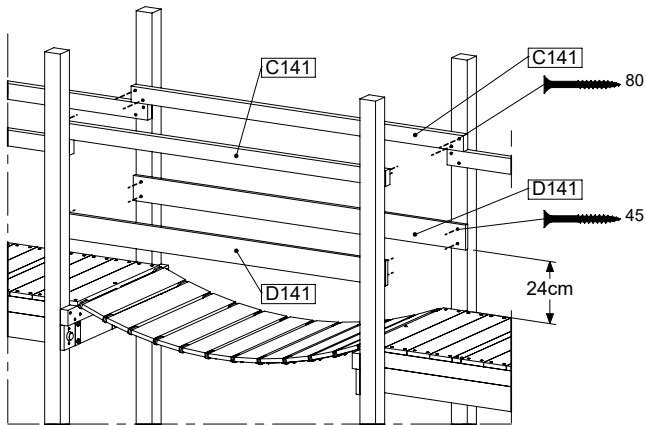


Playhouse Window 140 - P05 uni. - 28/02/2024 - v2.1





12 CB01a: Clatter Bridge - PART 2

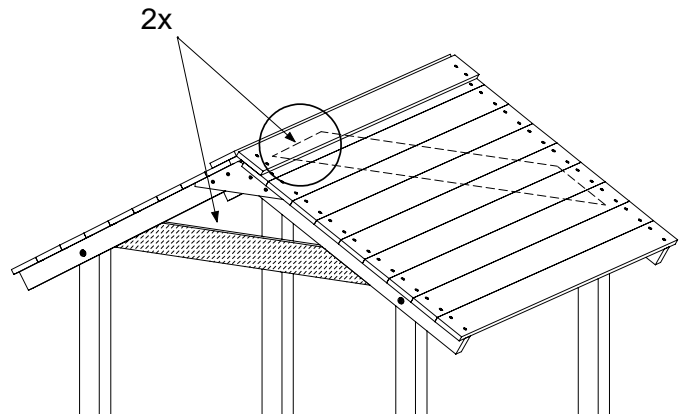
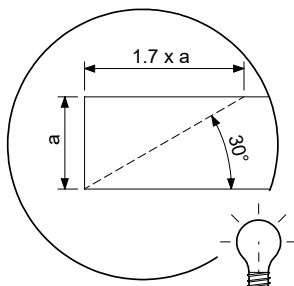
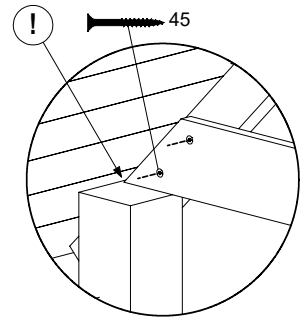
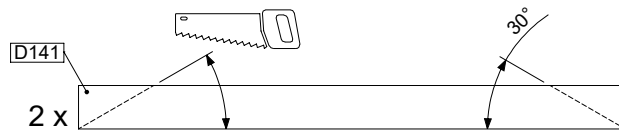
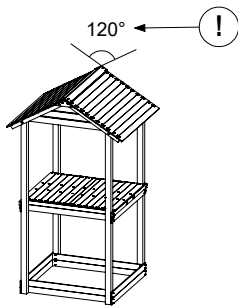
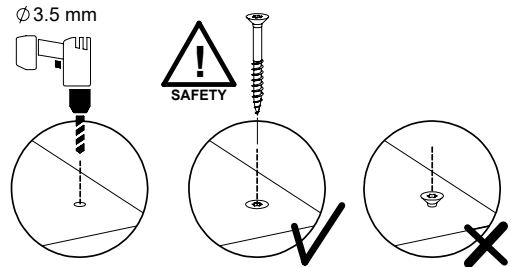
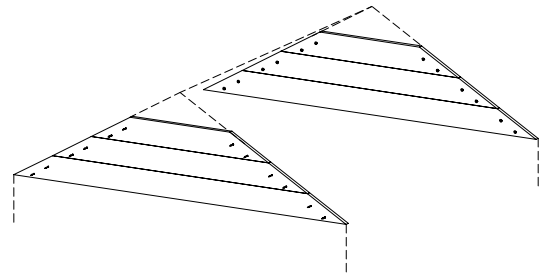


13 PH33a: Playhouse Roof Panels 140 120deg

(194_501)

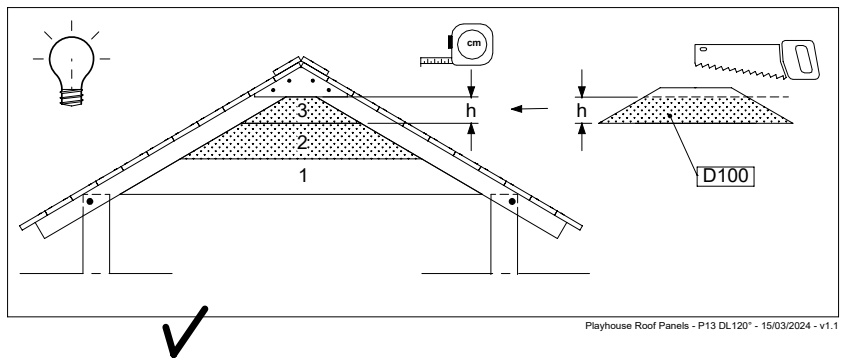
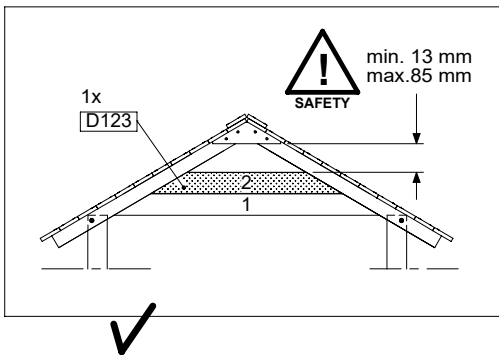
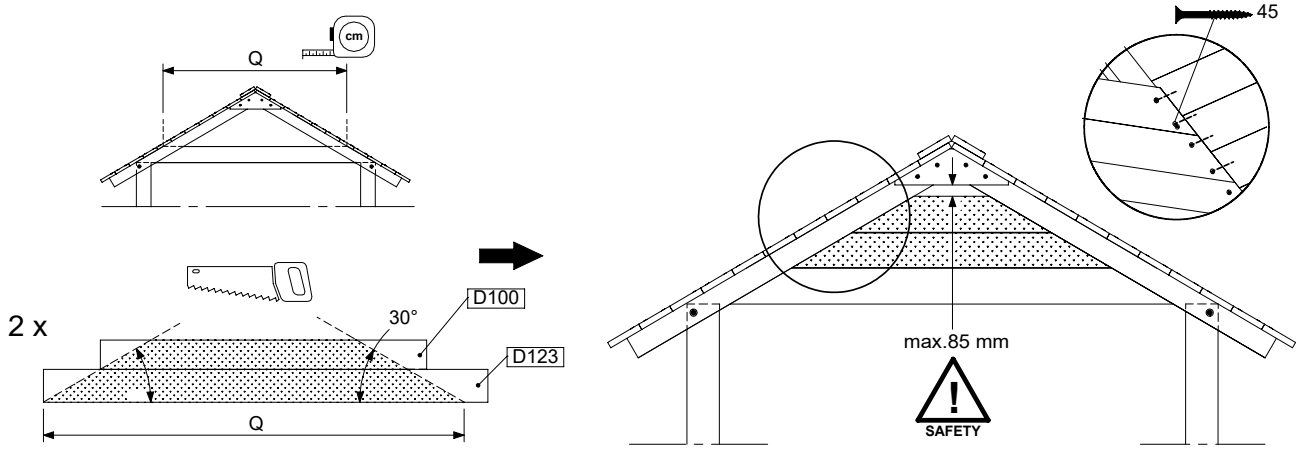
	PartNo	PartName	QTY.
Hardware Pack	002_220	Gap Point Screw T25 - 5x45	24
Timber	D100	Board 1000 mm	2
	D123	Board 1230 mm	2
	D141	Board 1410 mm	2

Playhouse Roof Panels - P09 DL120° - 15/03/2024 - v1.1



Playhouse Roof Panels - P09 DL120° - 15/03/2024 - v1.1

13.1



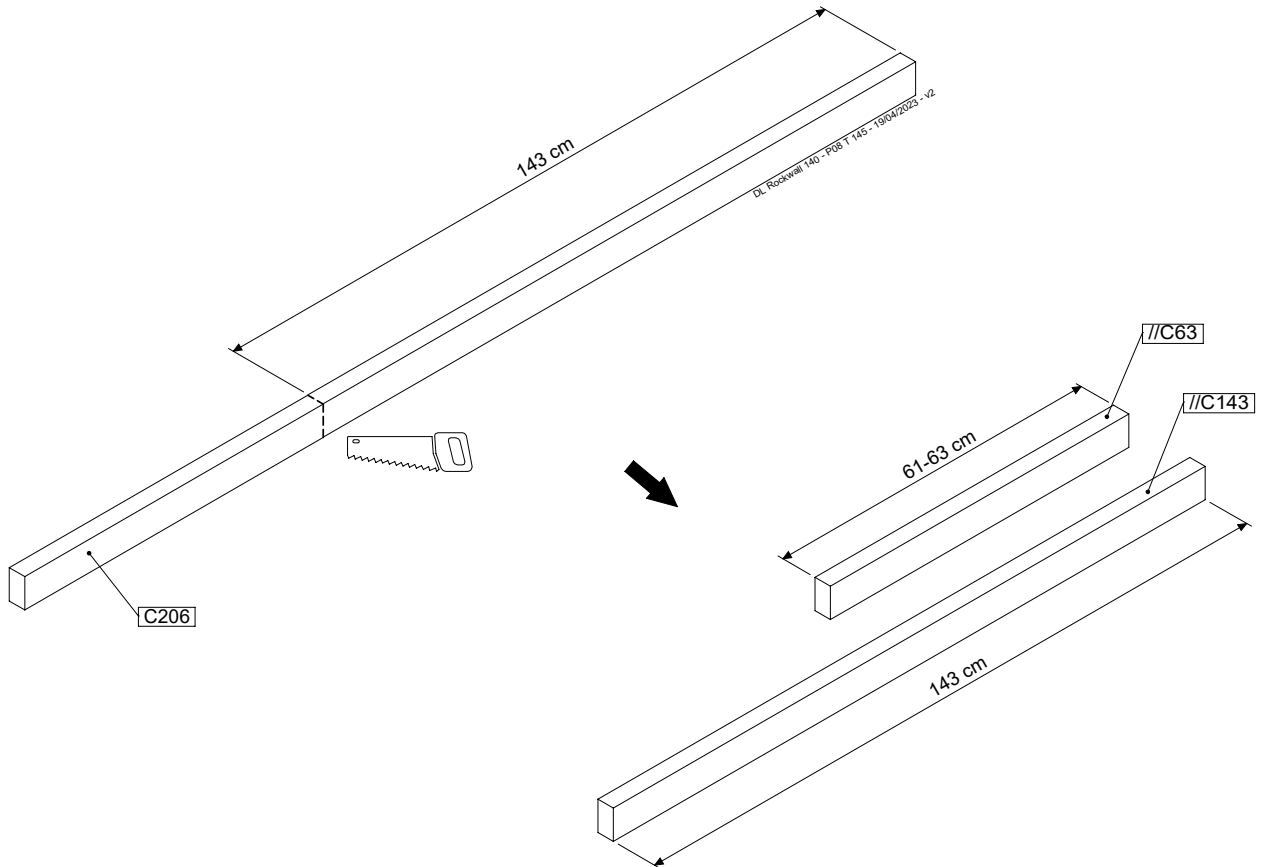
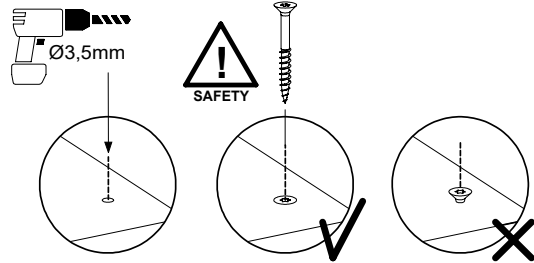
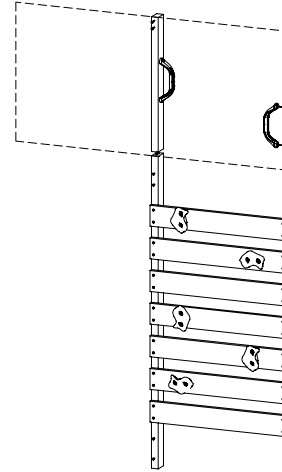
Playhouse Roof Panels - P13 DL120° - 15/03/2024 - v1.1

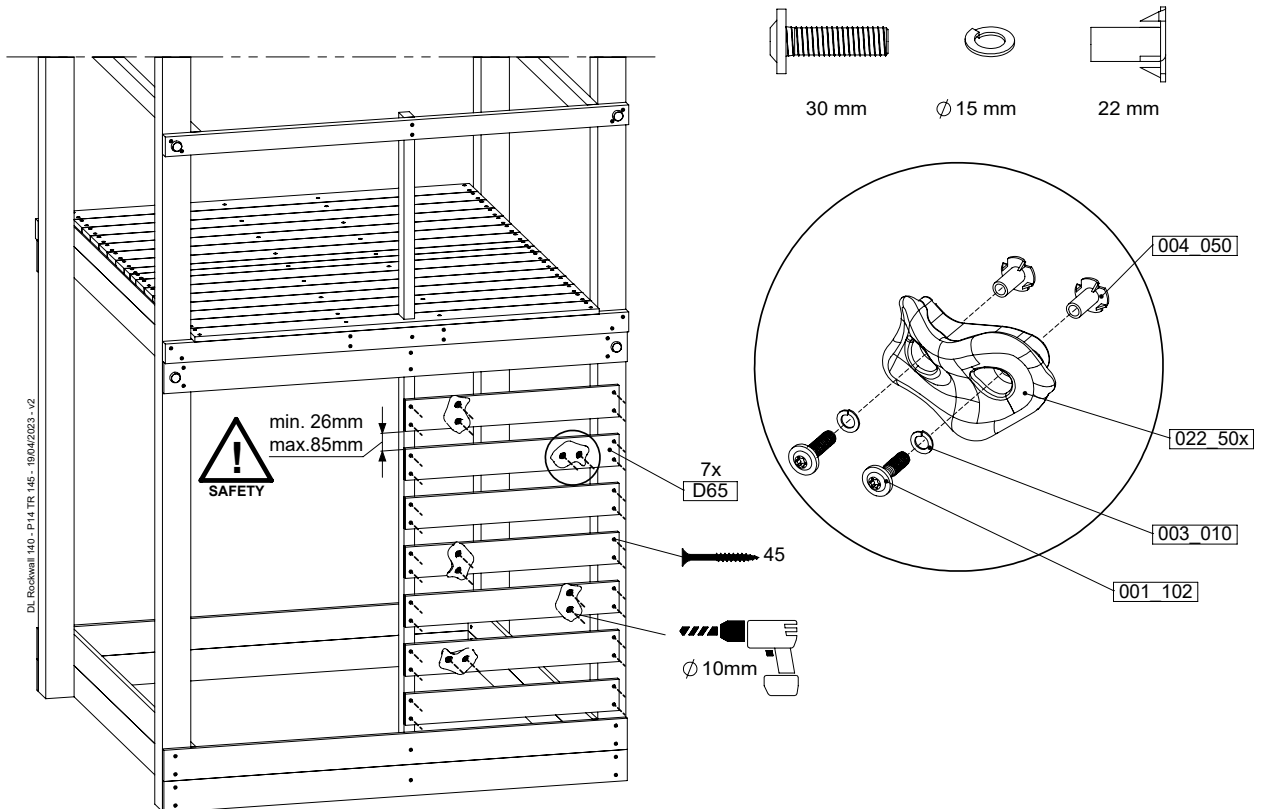
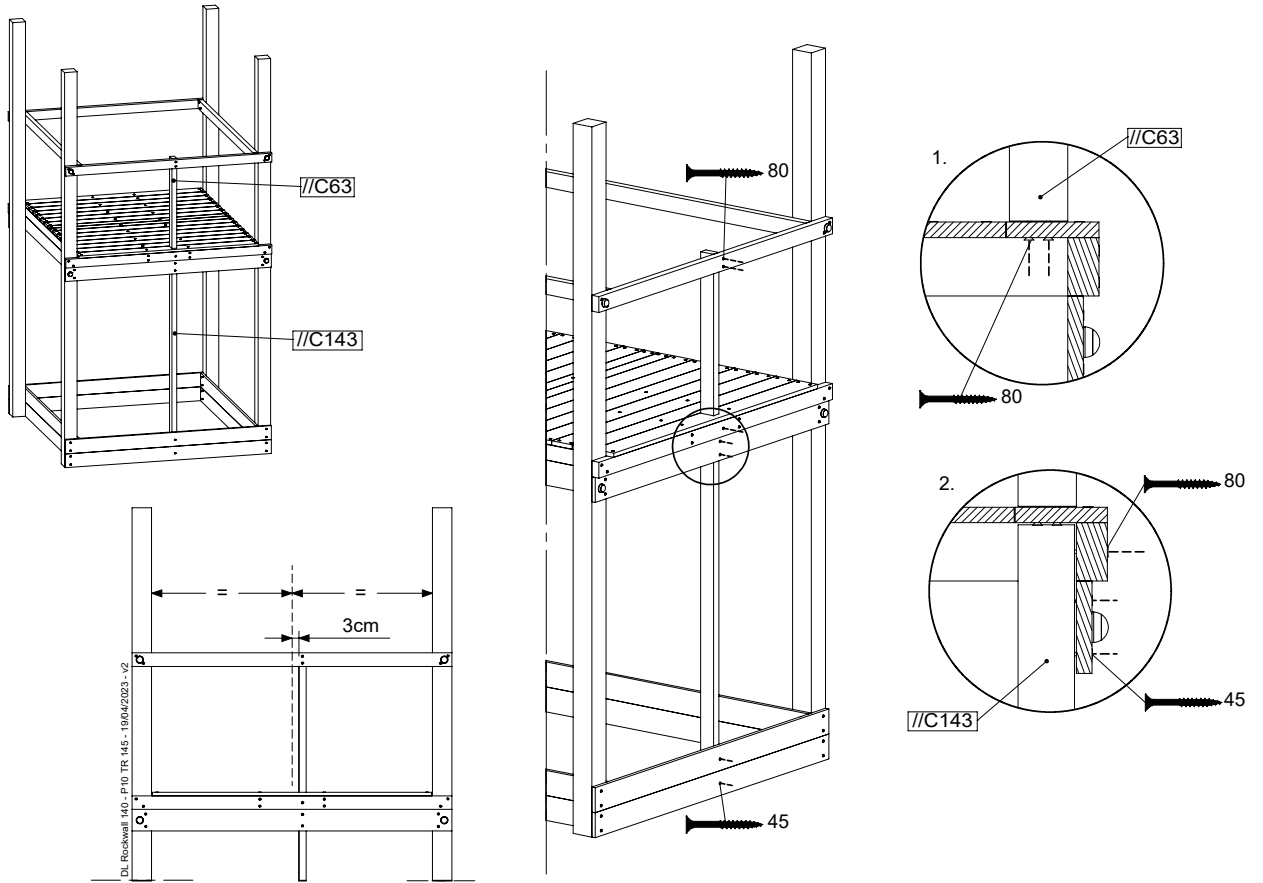
14 RW20a: Rock wall 140 145 T Right

(194_006)

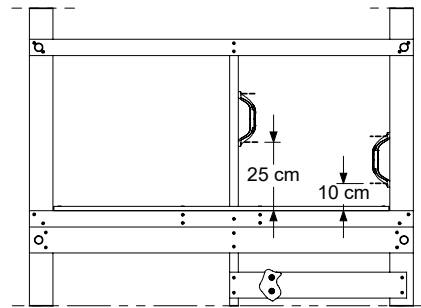
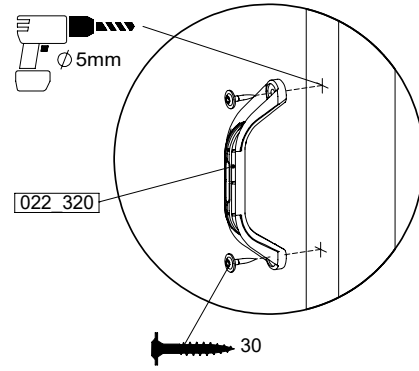
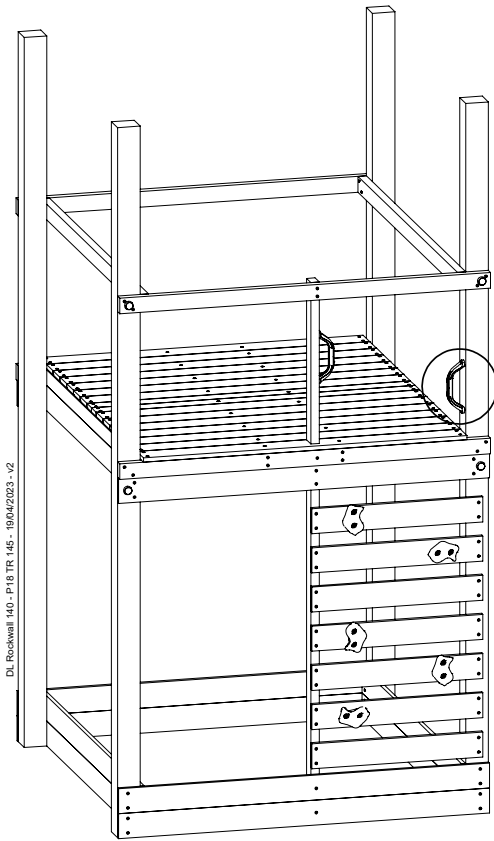
	PartNo	PartName	QTY.
Hardware pack	001_102	Washer Head Screw T40 M8x30	10
	002_220	Gap Point Screw T25 - 5x45	32
	002_223	Gap Point Screw T25 - 5x80	5
	003_010	M8 spring lock washer	10
	004_050	M8 Drive-in Nut 22mm	10
Other	022_50x	Climbing Rock	5
	120_102	Handgrip set (complete 2x)	1
Timber	C206	Beam 2060 mm	1
	D65	Board 650 mm	7

DL Rockwall 140 - P08 TR 145 - 19/04/2023 - v2





14.2

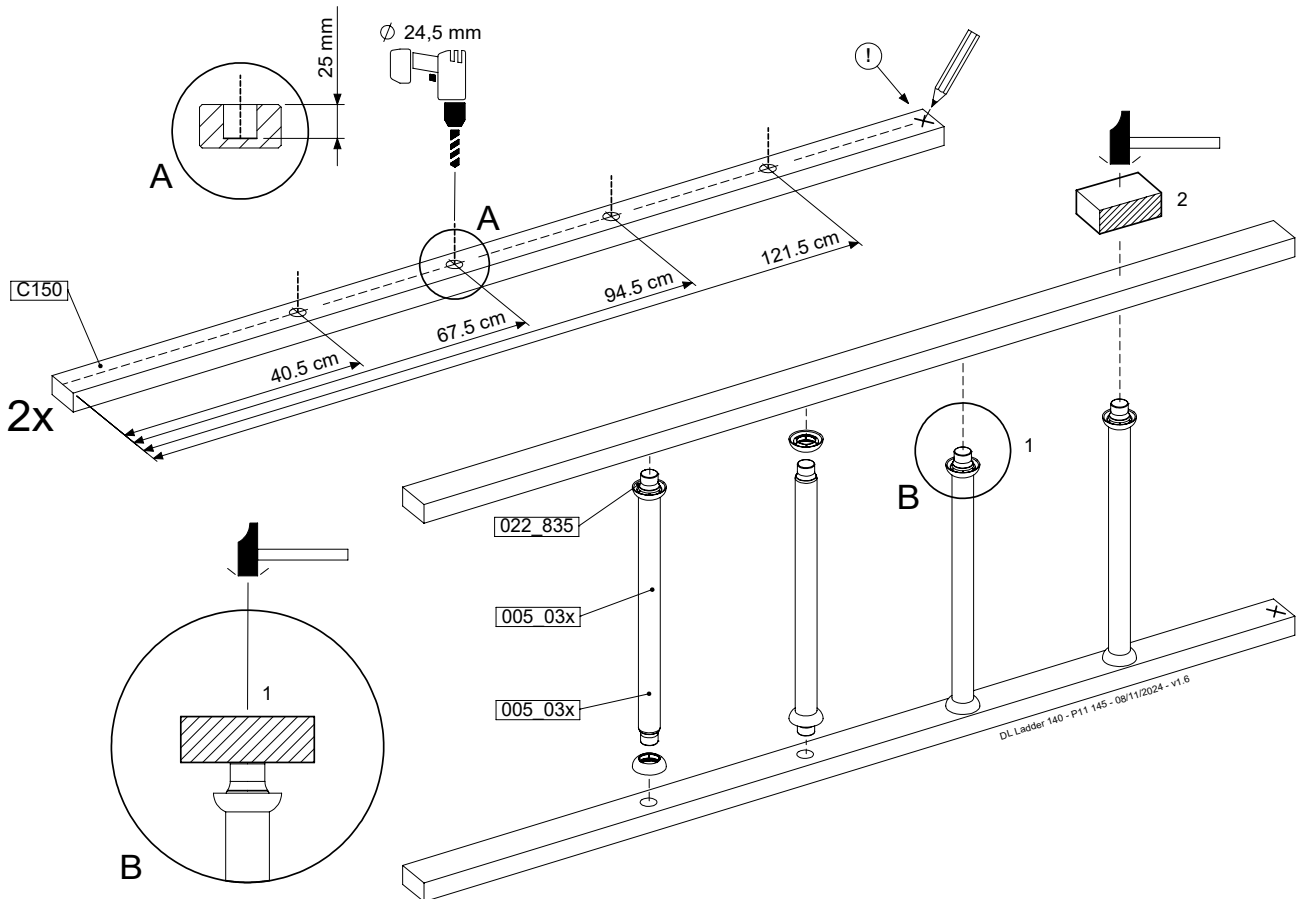
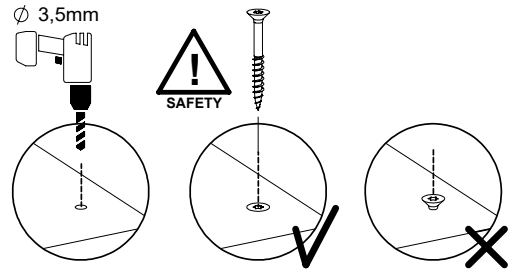
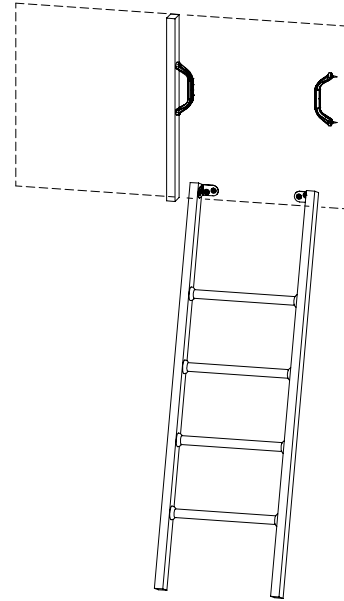


15 LA24a: Ladder 140 145 U Right

Assembly Pack: 194_004 / 194_104

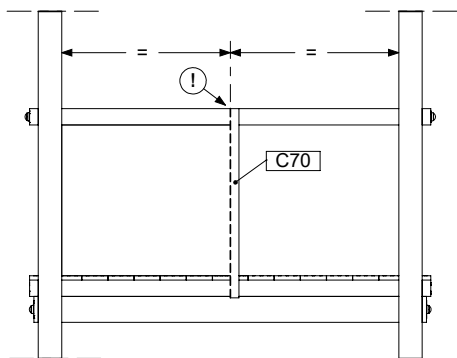
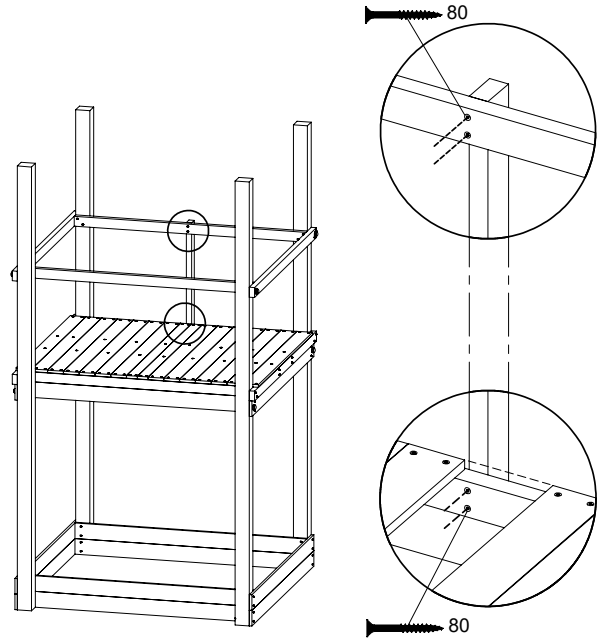
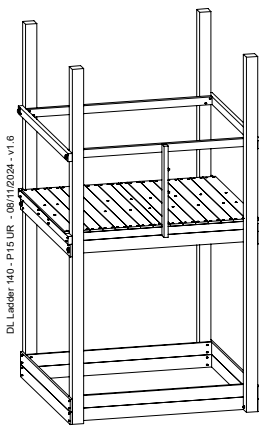
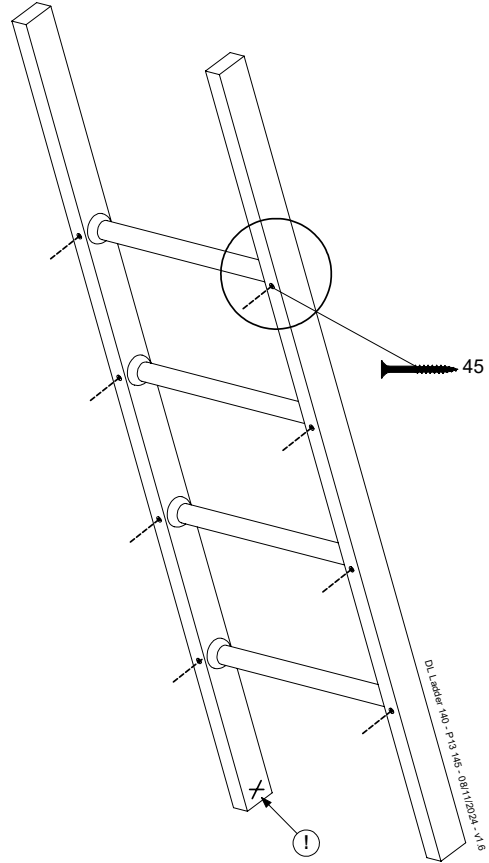
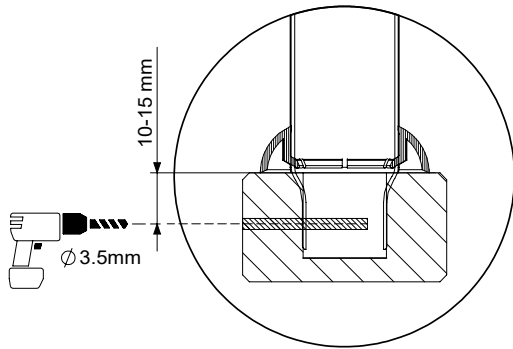
	PartNo	PartName	QTY.
Hardware + Parts	001_404	Stealth Screw 8x30	4
	002_219	Gap Point Screw T25 - 5x30	4
	002_220	Gap Point Screw T25 - 5x45	8
	002_223	Gap Point Screw T25 - 5x80	4
	005_03x	Ladder Rung Y/B/G/R	4
	005_522	Connection Bracket Mini Market	2
	022_835	Rung Cap	8
	120_102	Handgrip set (complete 2x)	1
Timber	C70	Beam 700 mm	1
	C150	Beam 1500 mm	2

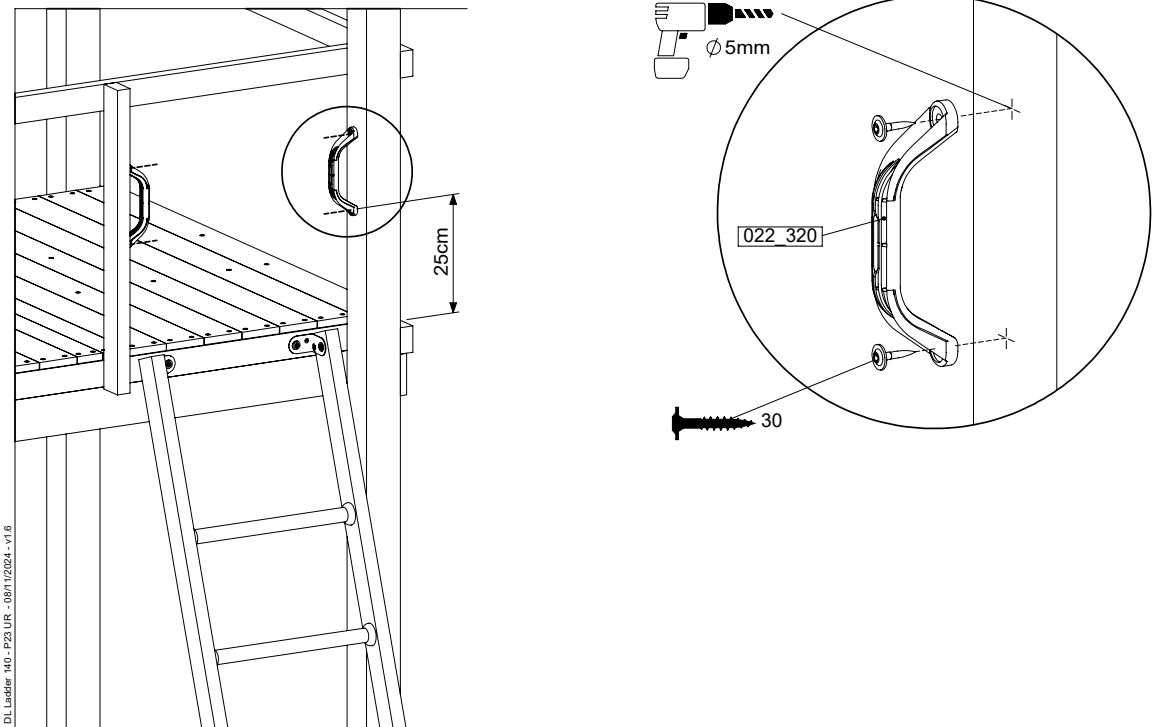
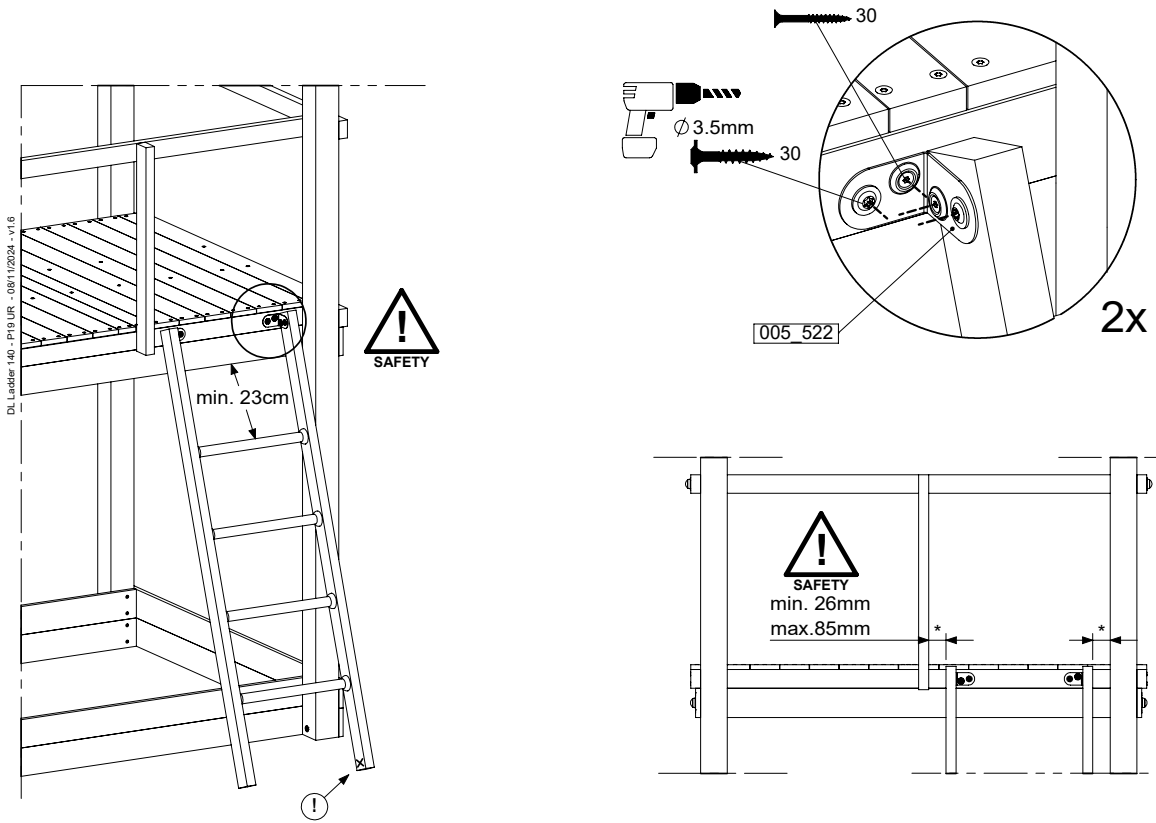
DL Ladder 140 - P107 UR 145 - 08/11/2024 - V1.6



DL Ladder 140 - P11 145 - 08/11/2024 - V1.6

15.1



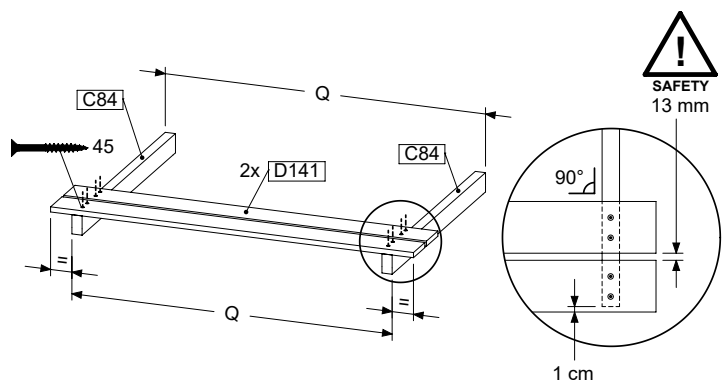
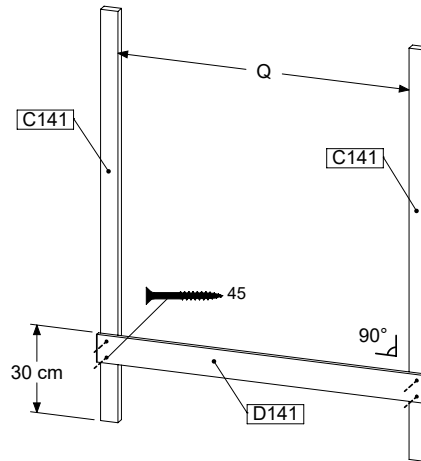
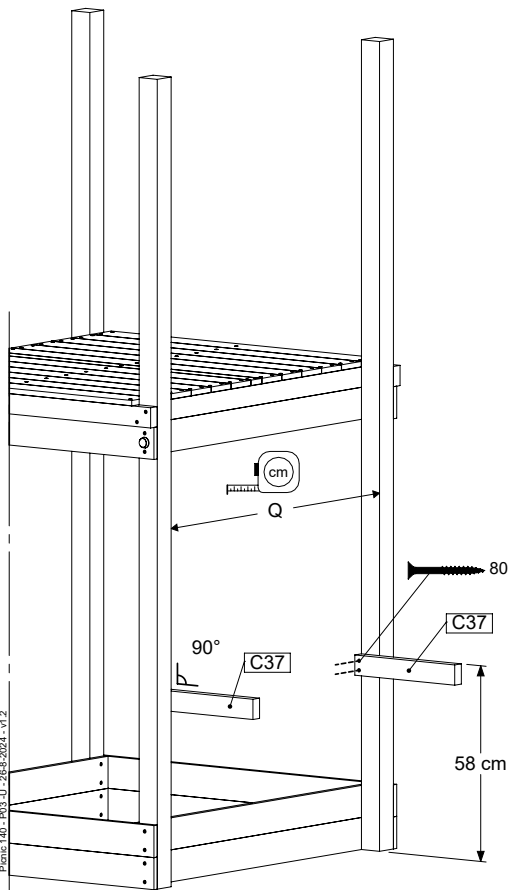
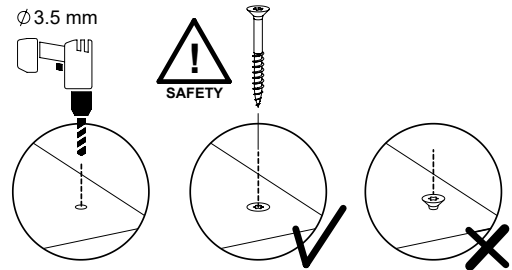
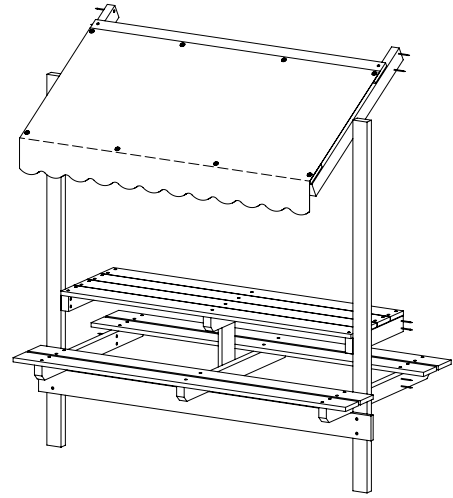


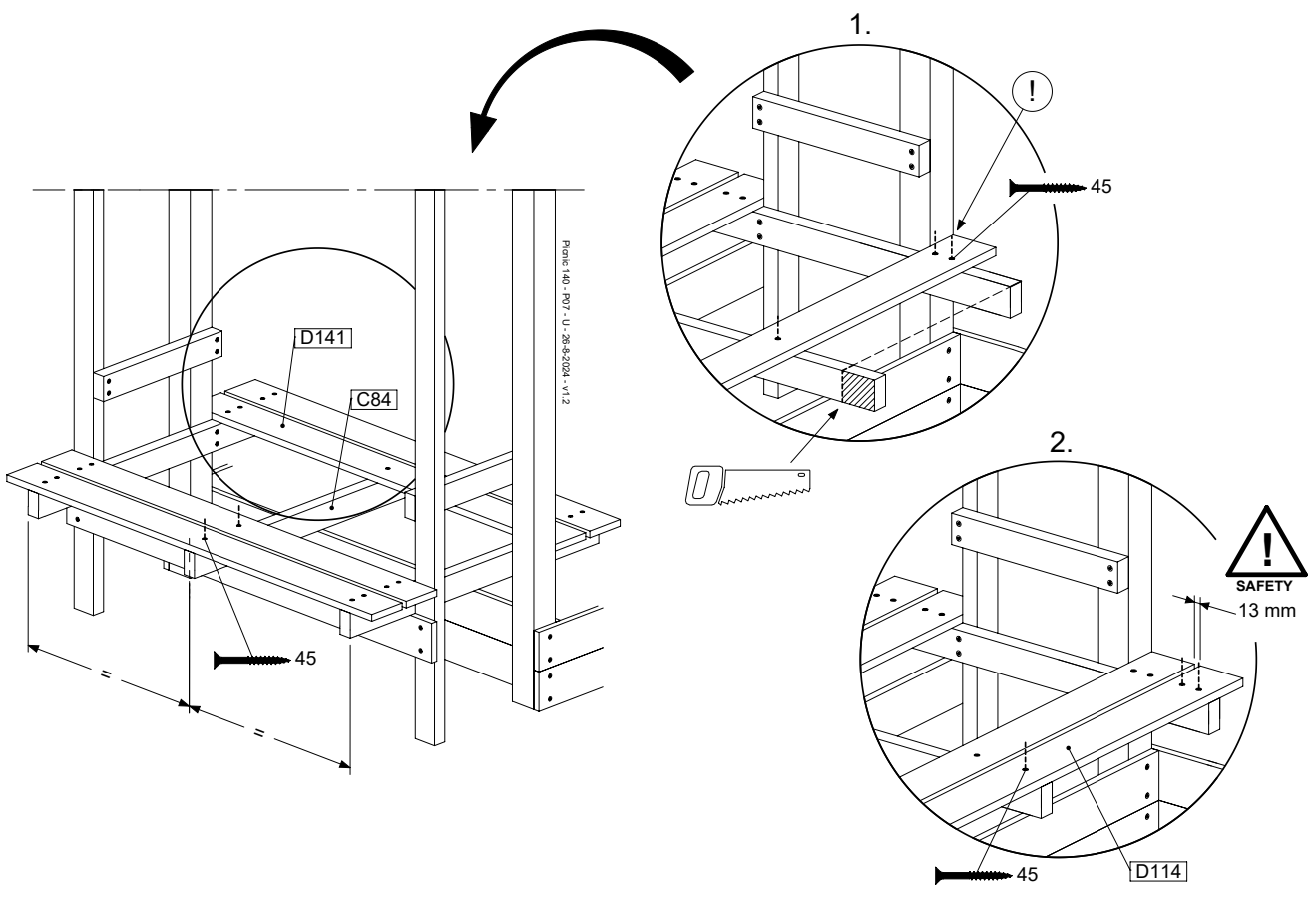
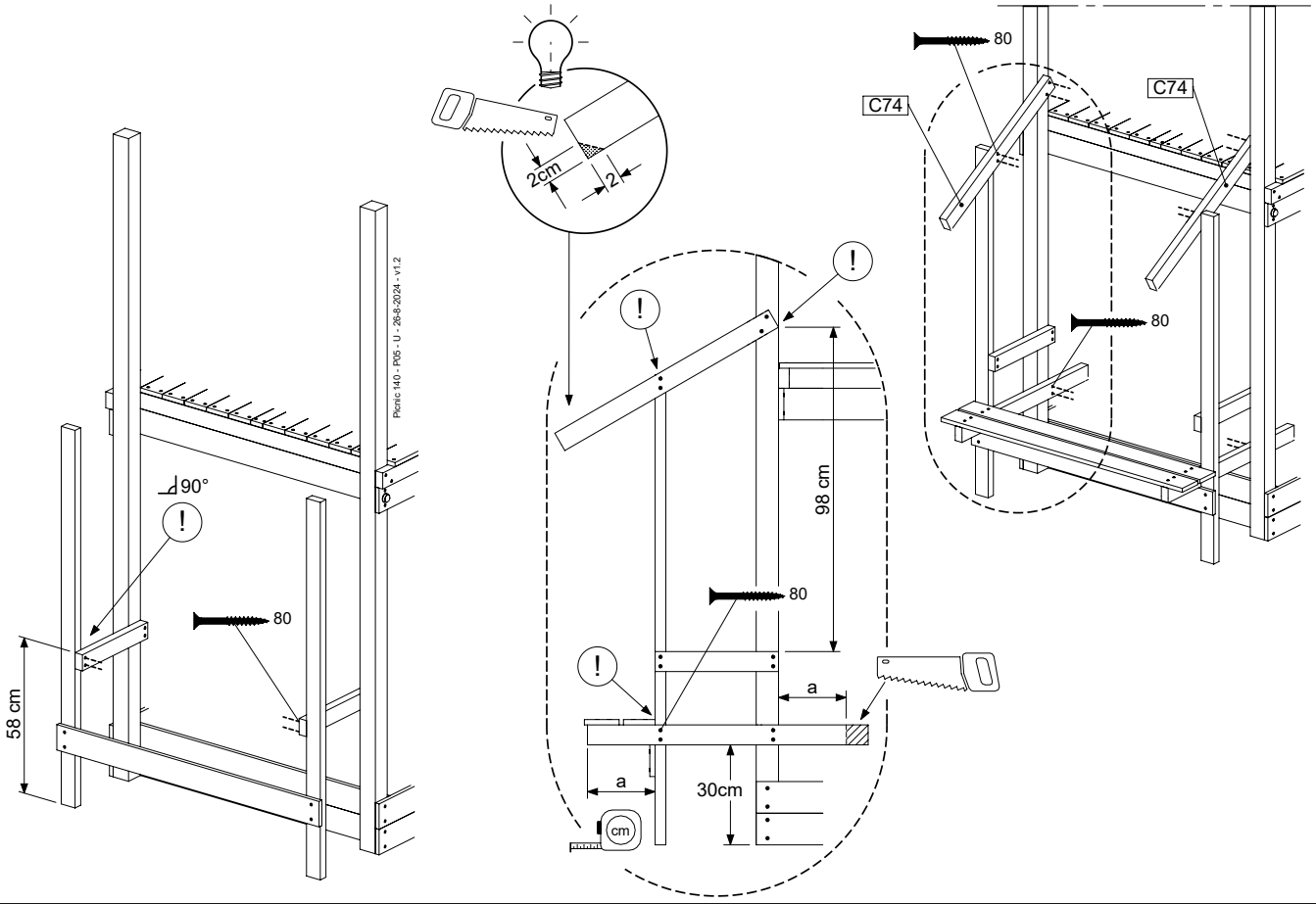
16 PC09a: Picnic 140 U

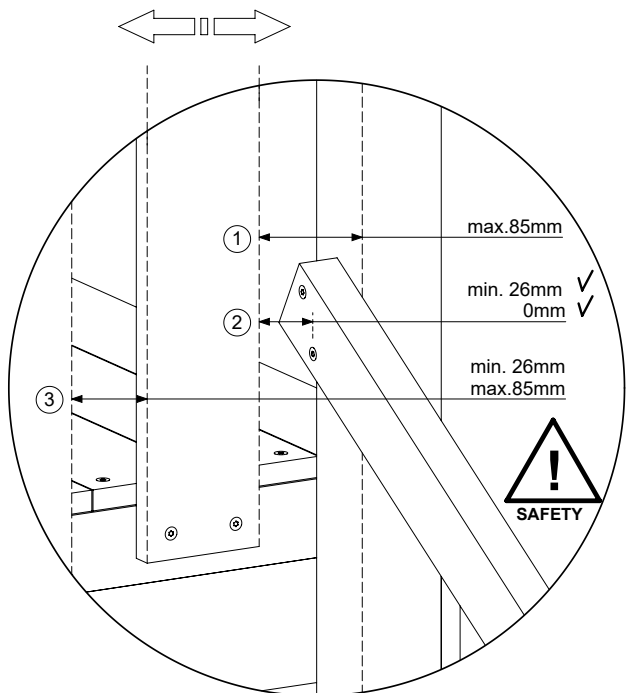
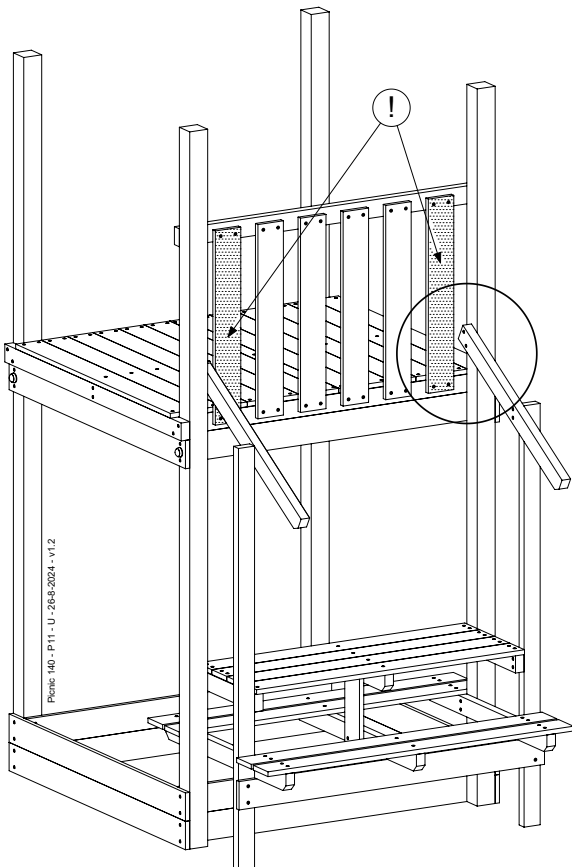
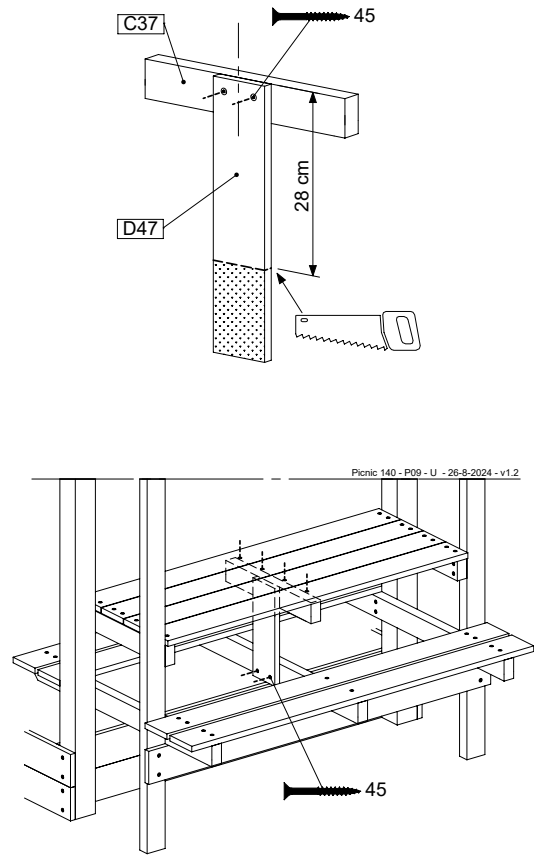
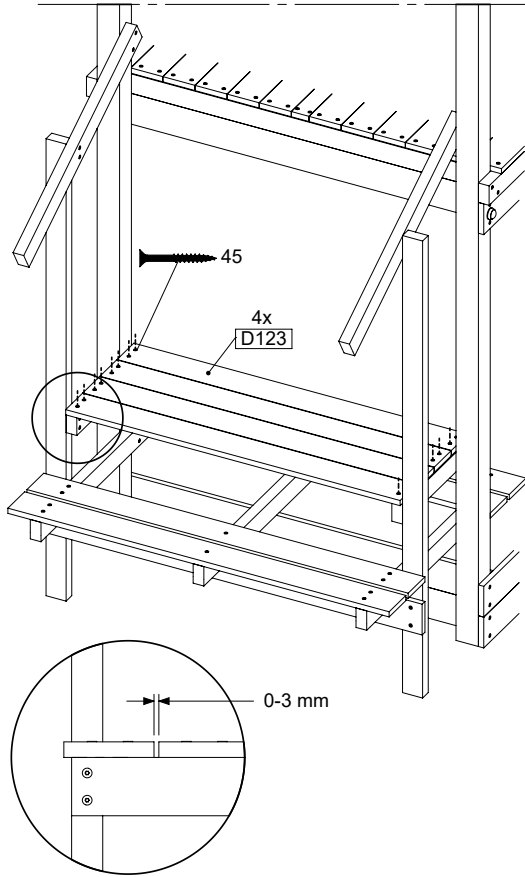
Assembly Pack: 194_810

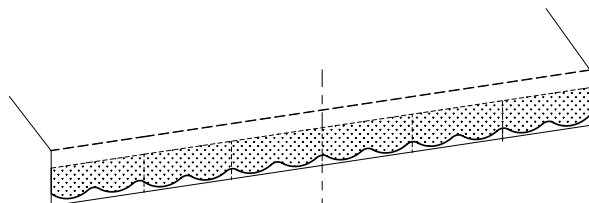
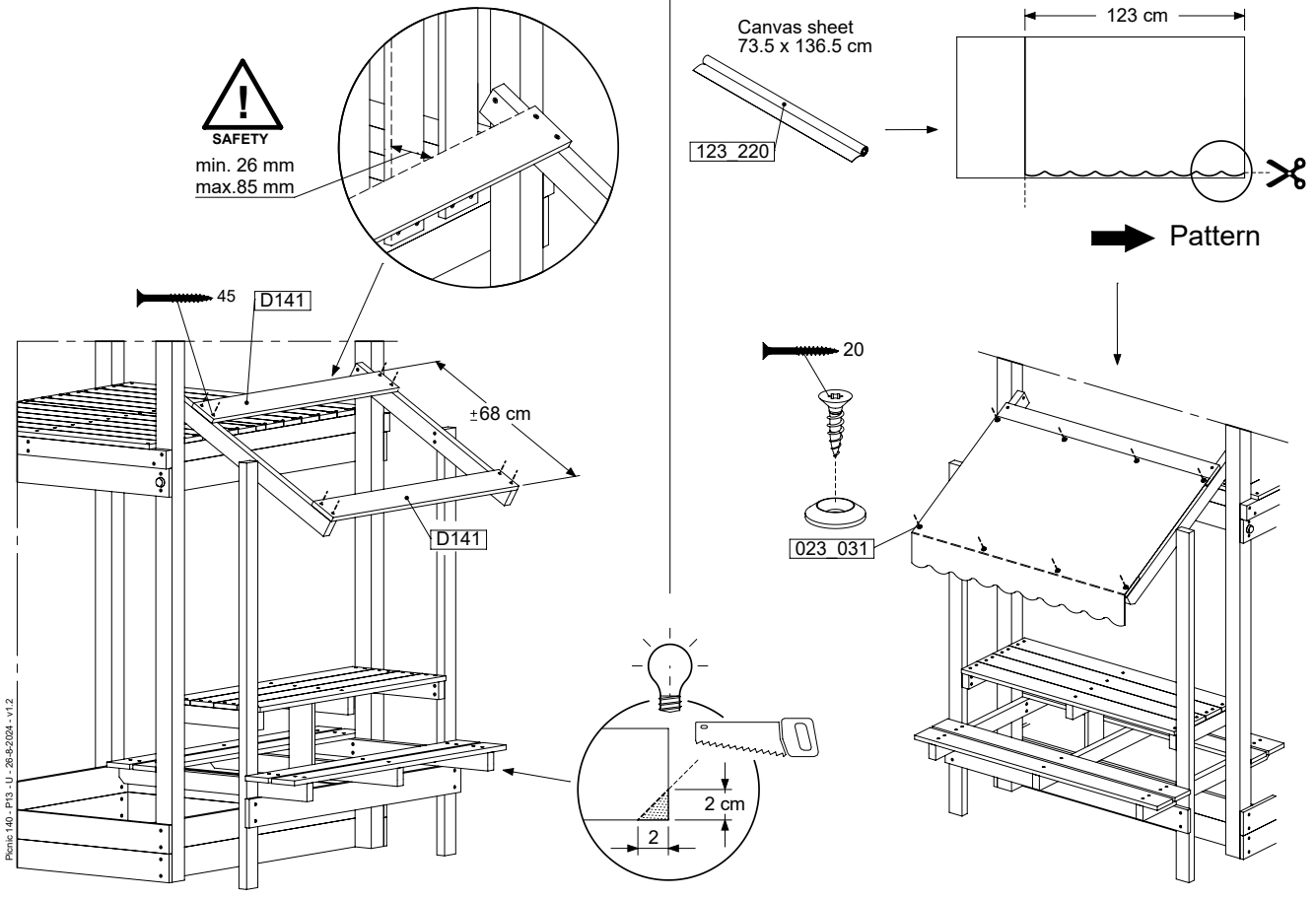
	PartNo	PartName	QTY.
Hardware + Parts	002_220	Gap Point Screw T25 - 5x45	56
	002_223	Gap Point Screw T25 - 5x80	24
	002_308	Gap Point Screw T25 - 5x20	8
	023_031	Finishing Washer GPS 5.0	8
	123_220	Canvas sheet 735x1365mm	1
Timber	C37	Beam 370 mm	3
	C74	Beam 740 mm	2
	C84	Beam 840 mm	3
	C141	Beam 1410 mm	2
	D47	Board 470 mm	1
	D123	Board 1230 mm	6
	D141	Board 1410 mm	5

Picnic 140 - R02 - UJT - 26-8-2024 - v1.2

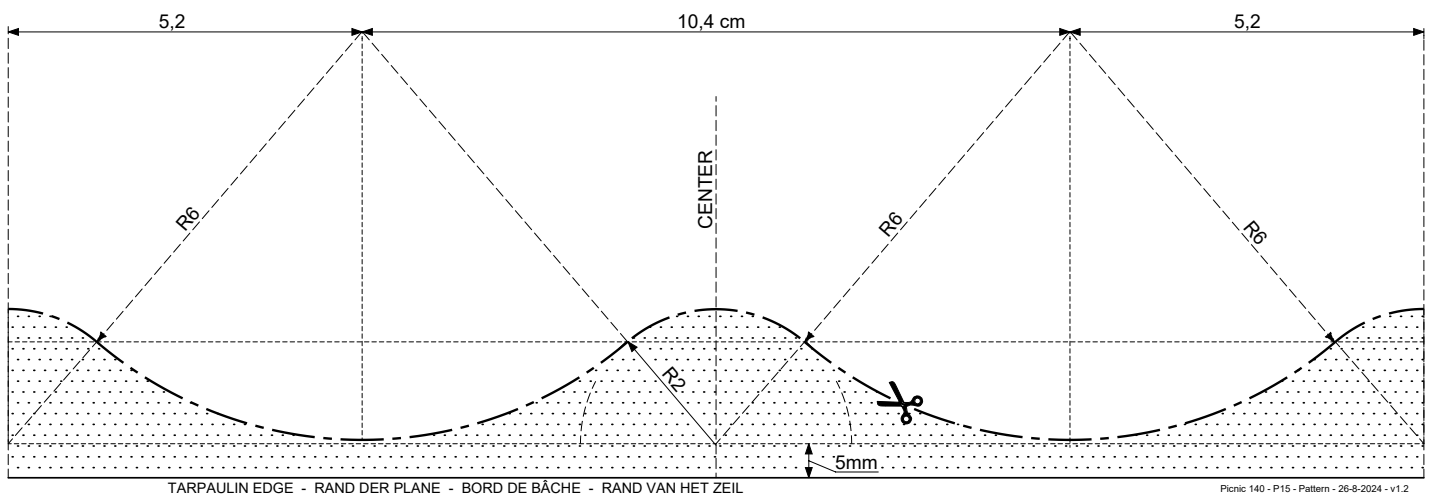






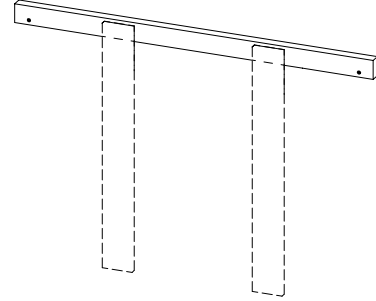
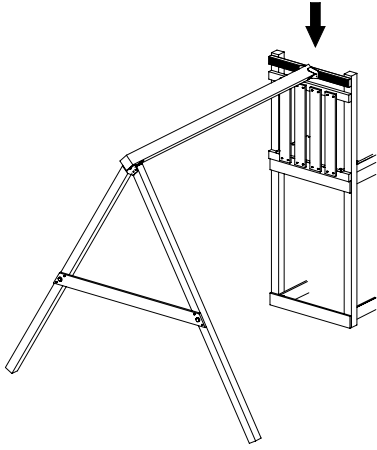


EXAMPLE PATTERN
BEISPIELVORLAGE FÜR MARKISE
SCHEMA SUGGÉRÉ DE DÉCOUPE POUR AUVENT
VOORBEELDSJABLOON LUIFEL



! Scale of print may not be accurate.
Druckformat kann abweichen.
Les tailles imprimées peuvent varier.
Printformaat kan afwijken.

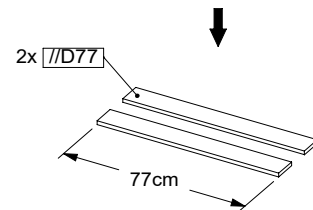
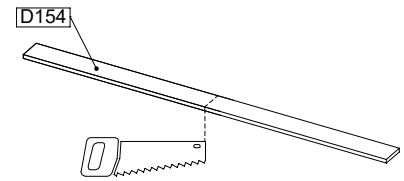
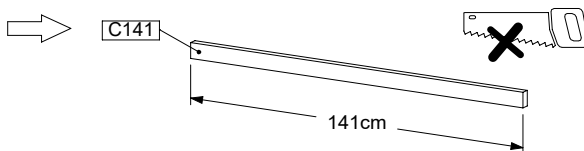
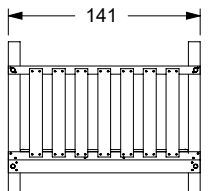
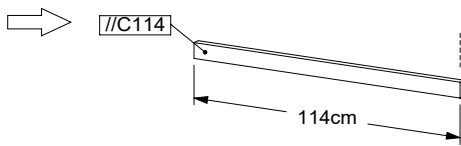
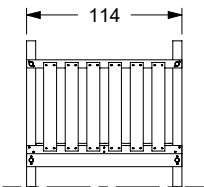
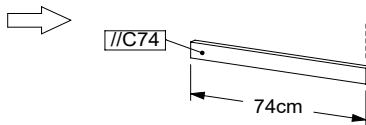
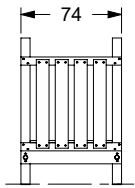
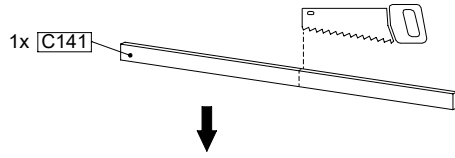
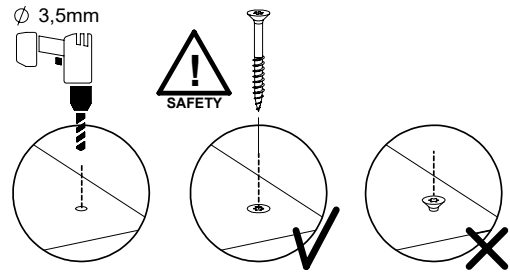
17 UB07a: Swing Mounting Set Uni - PART 1



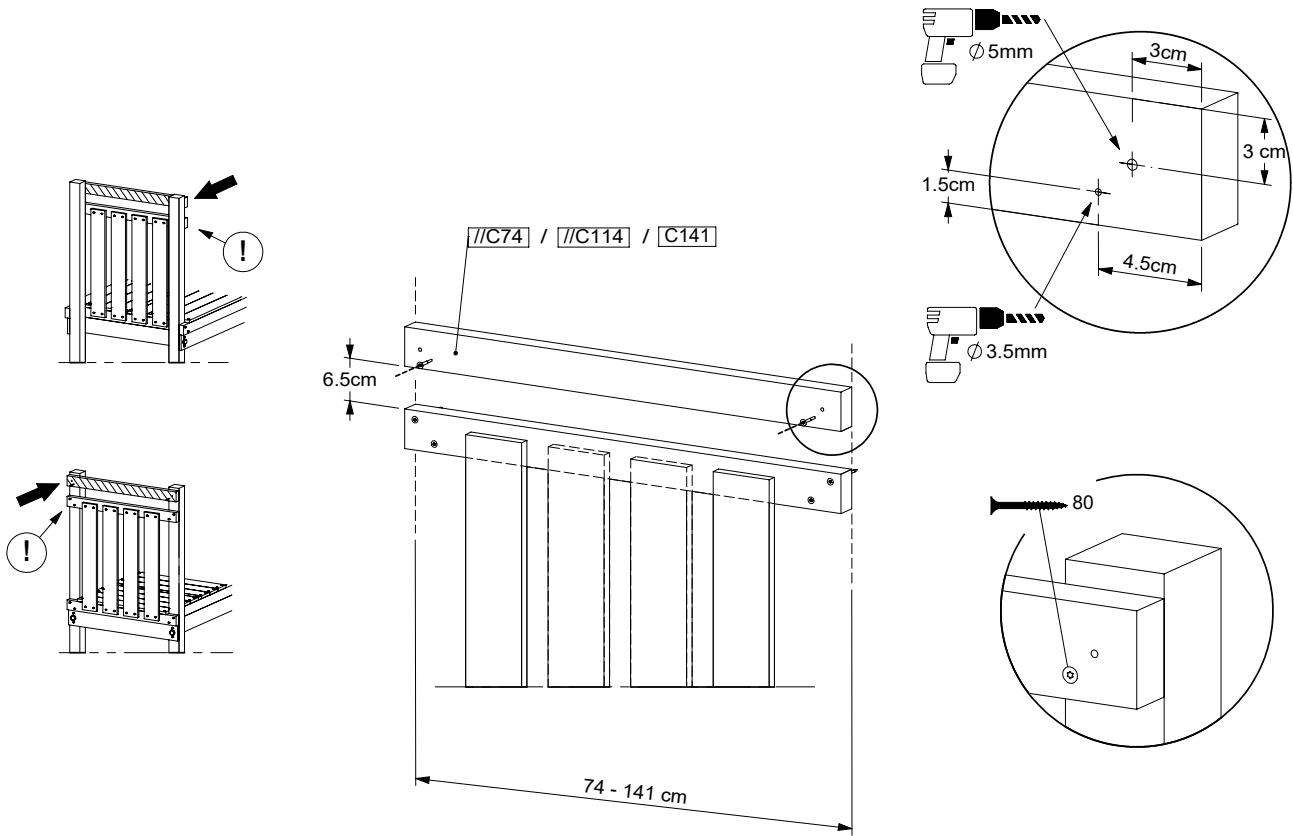
Assembly Packs: 457_103 / 457_107 (Swing / Climb Kit)

	PartNo	PartName	QTY.
Hardware	002_223	Gap Point Screw T25 - 5x80	2
Timber	C141	Beam 1410 mm	1
	D154	Board 1540 mm	1

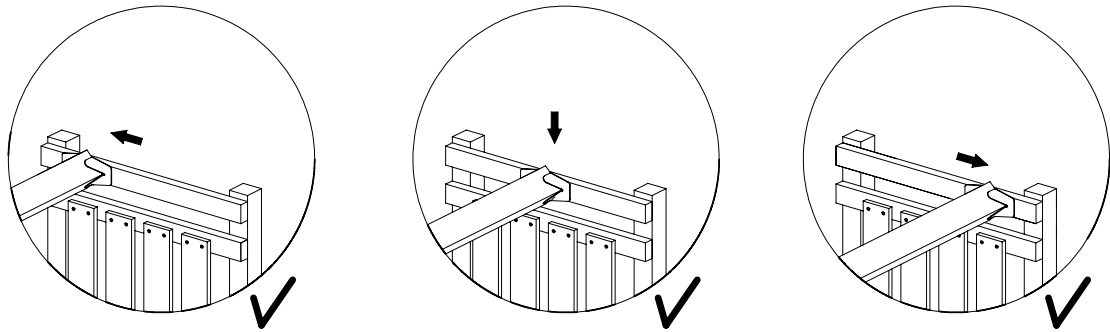
Swing Mounting Set - P02 - 23/09/2024 - v1.0



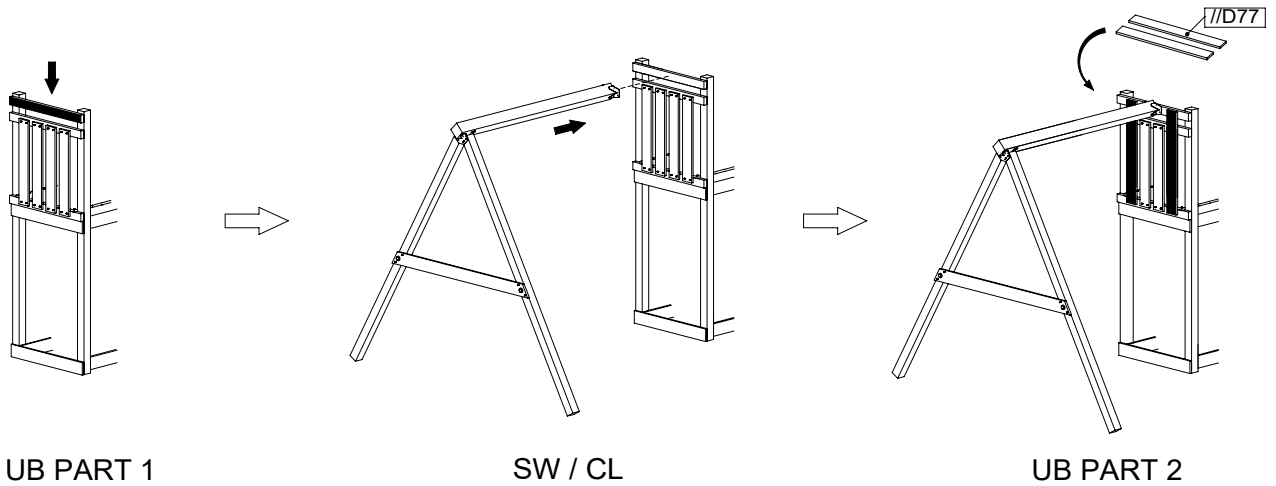
Swing Mounting Set - P03 - 23/09/2024 - v1.0



Swing Mounting Set - PM4 - 23/09/2024 - v1.0



Swing Mounting Set - P05 - 23/09/2024 - v1.0



UB PART 1

SW / CL

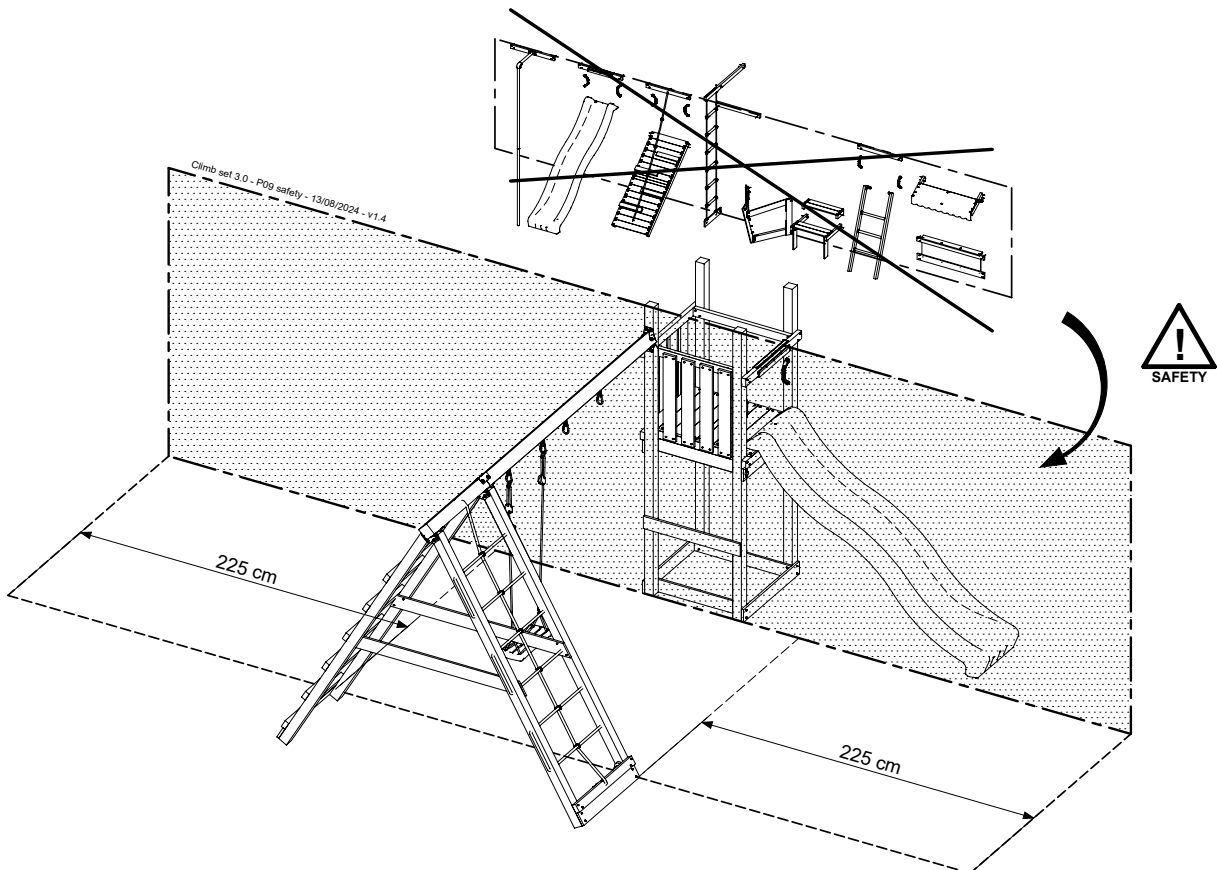
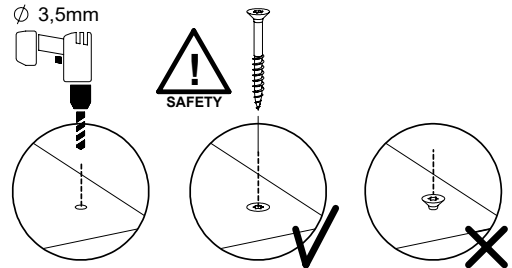
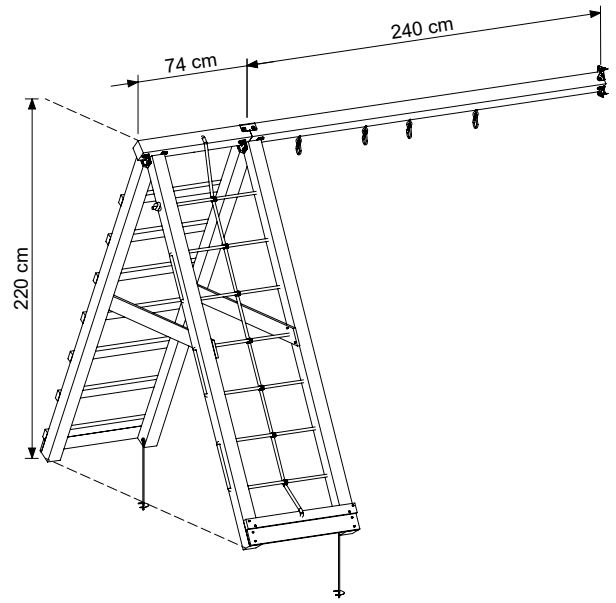
UB PART 2

18 CL22b: 2- Climb Module 220 Extra - 3.0

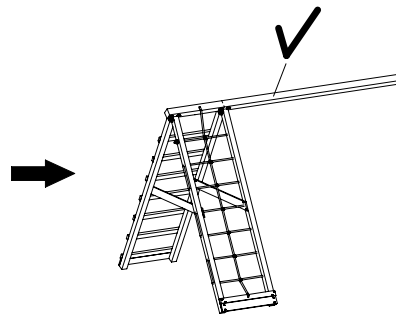
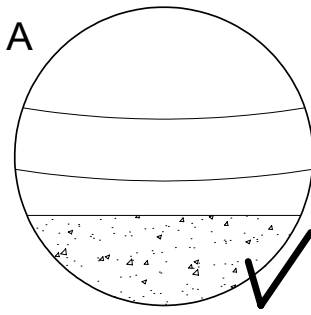
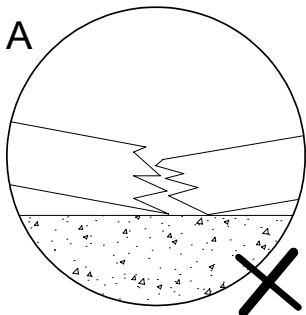
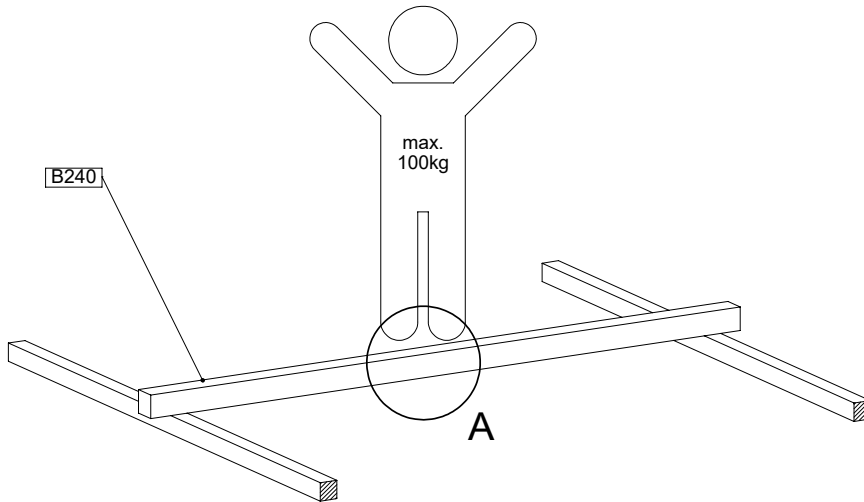
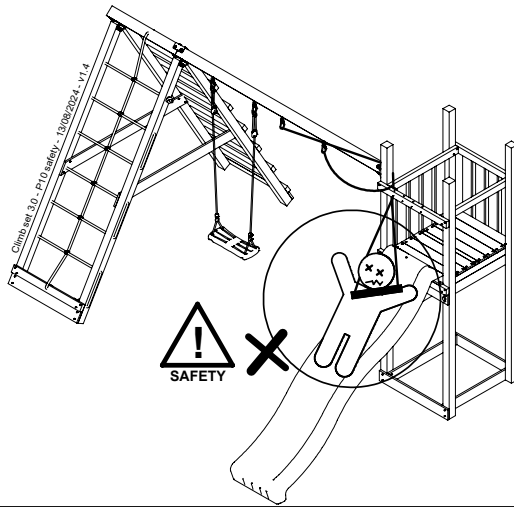
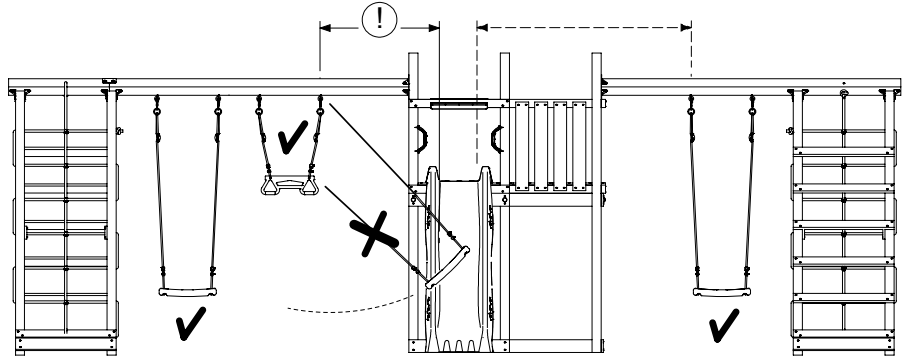
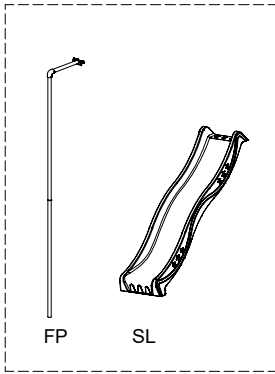
Assembly Kit: 457_107

	PartNo	PartName	QTY.
Hardware + Parts	001_404	Stealth Screw 8x30	4
	001_406	Stealth Screw 8x45	34
	001_417	Stealth Screw 8x80	2
	002_220	Gap Point Screw T25 - 5x45	36
	002_223	Gap Point Screw T25 - 5x80	35
	002_301	Dry Wall Screw PH2 3.9 x 40 mm	7
	023_042	Nylon washer 9x19x1.5	36
	005_096	A-Frame V-Connector	4
	005_097	Swing V-Connector	2
	005_099	Climber Top Connector	1
	007_001	Ground-anchor	2
	020_317	Rope Polyester 16mm Green 3.4m	1
	020_318	Rope Polyester 16mm Green 8.1m	1
022_455	Rope Cross Connector Egg	7	
101_003	Swing hook with Carabiner	4	
Timber	B74	Post ca.90x90 L740	1
	B240	Post ca.90x90 L2400	5
	C74	Beam 740 mm	8
	D74	Board 740 mm	2
	D141	Board 1410 mm	3

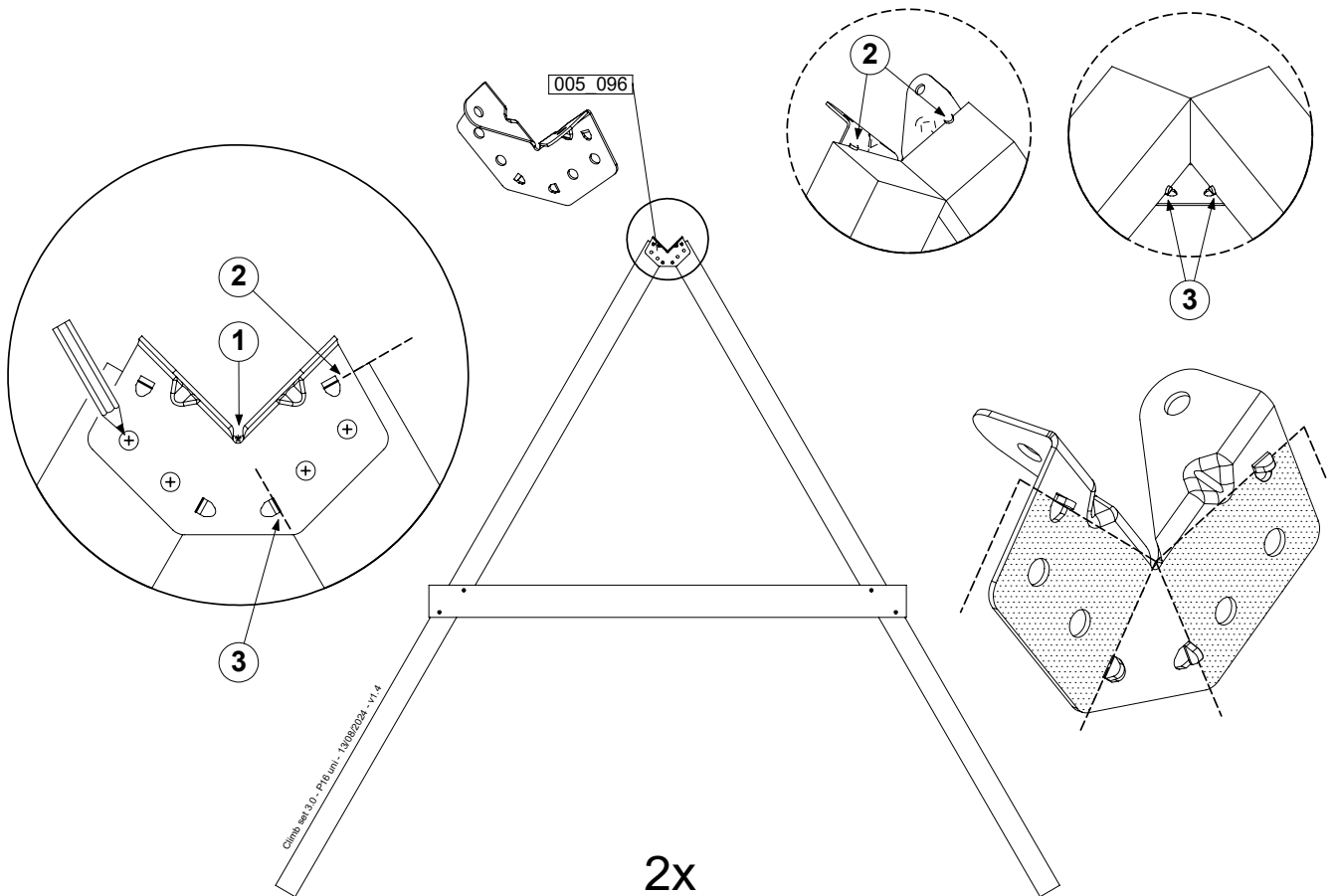
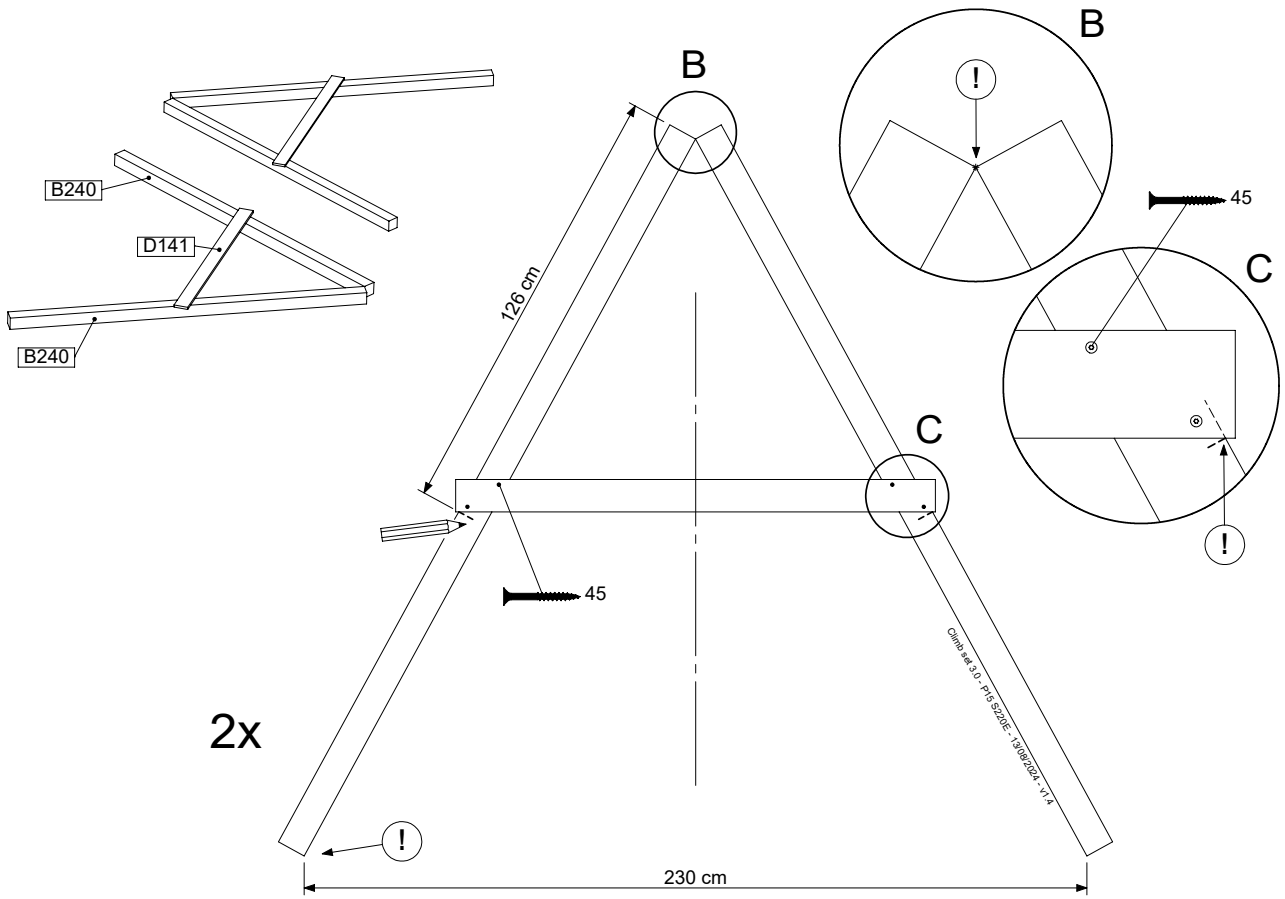
Climb set 3.0 - P08 2C22bE - 13/08/2024 - v1.4

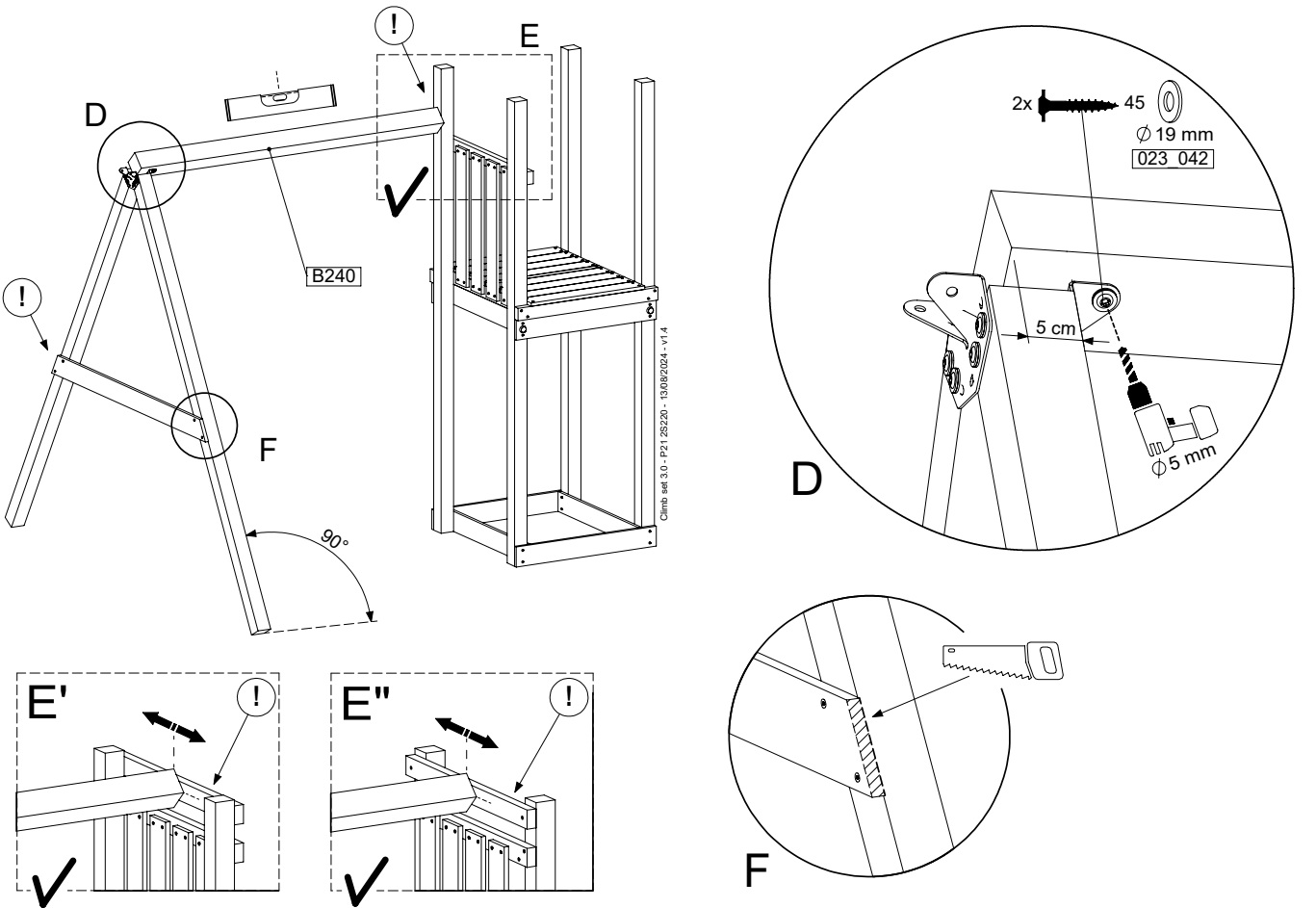
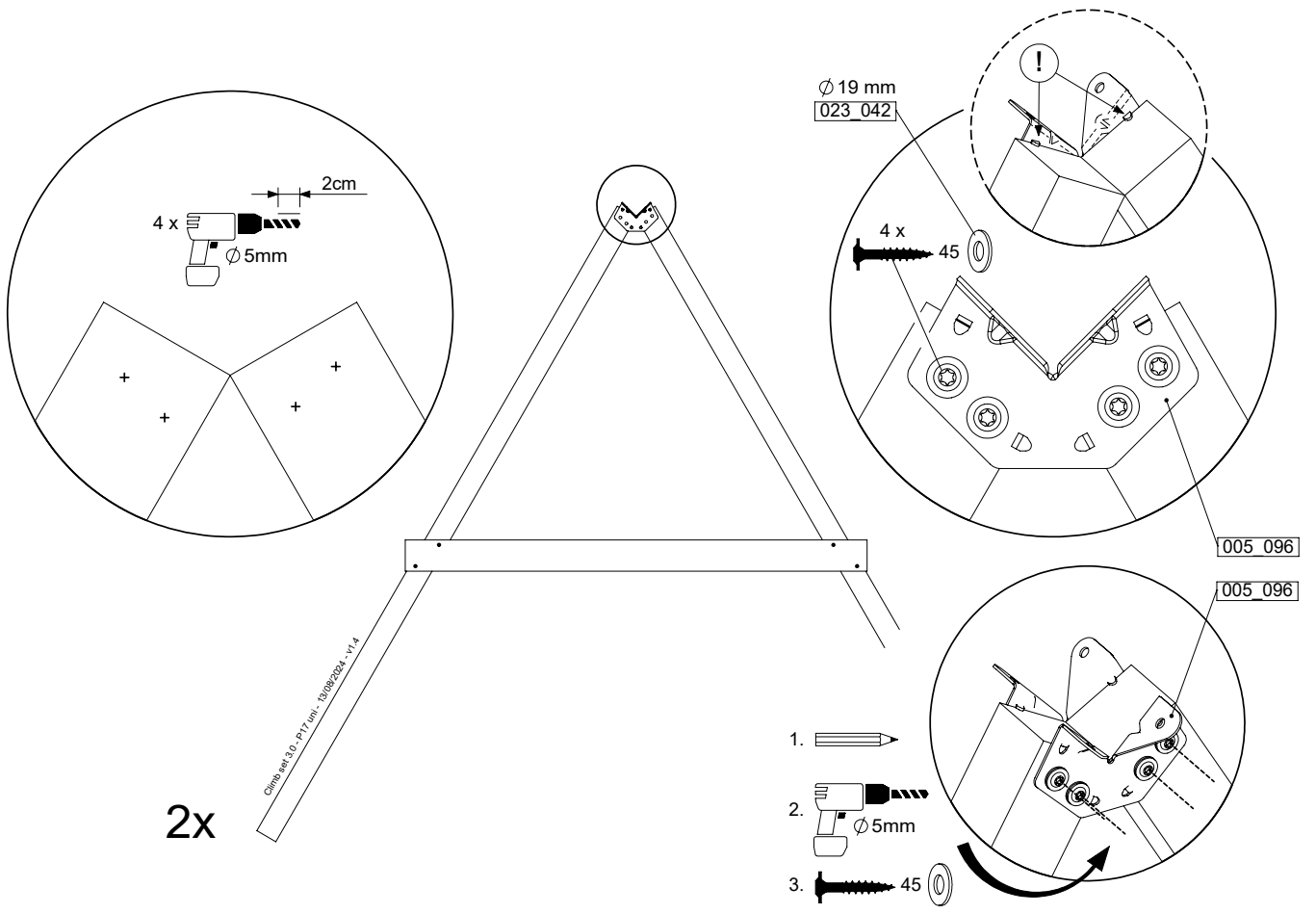


18.1

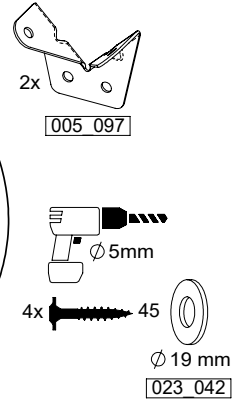
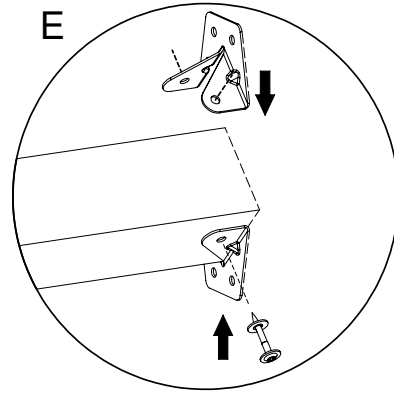
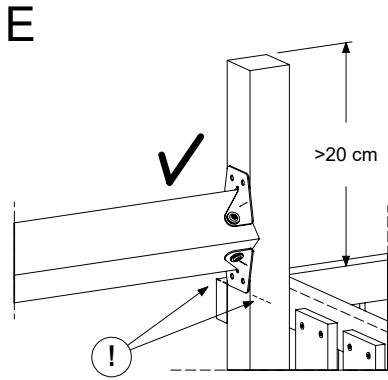


Climb set 3.0 - P12 25220 - 13/08/2024 - v1.4

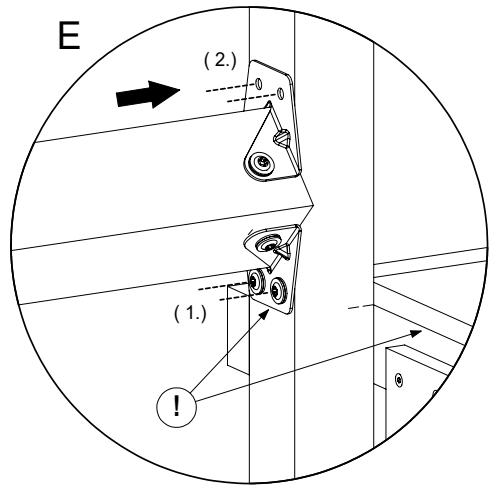
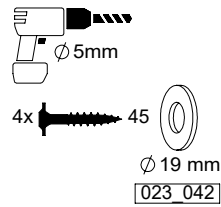
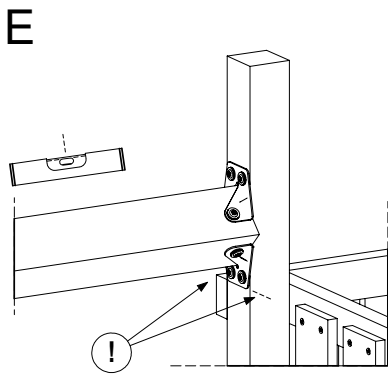
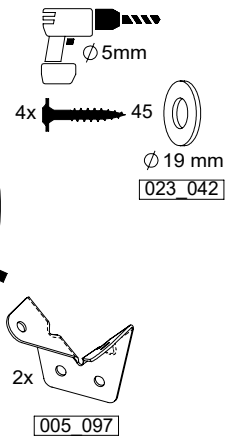
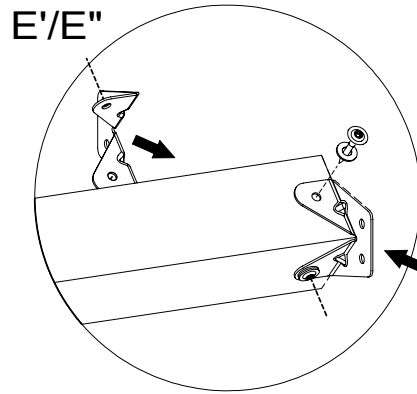
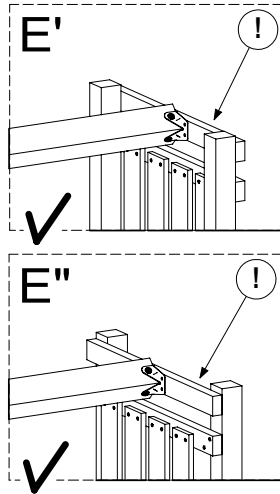
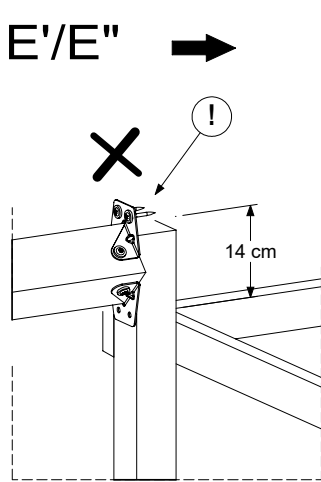




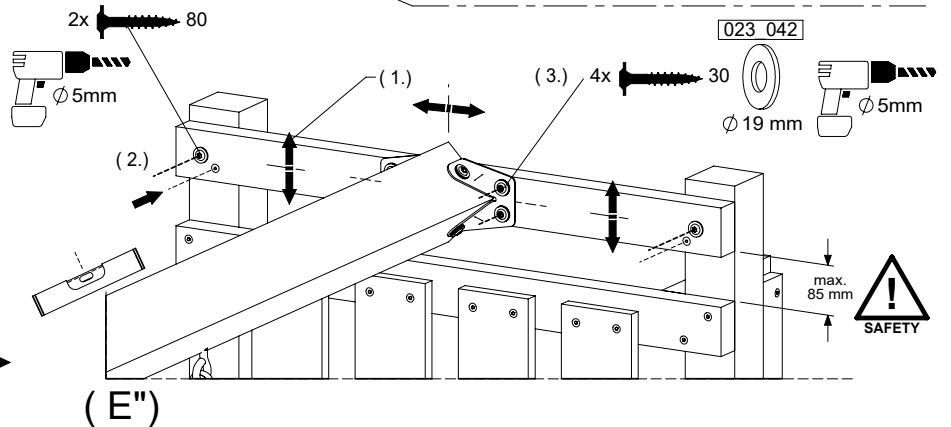
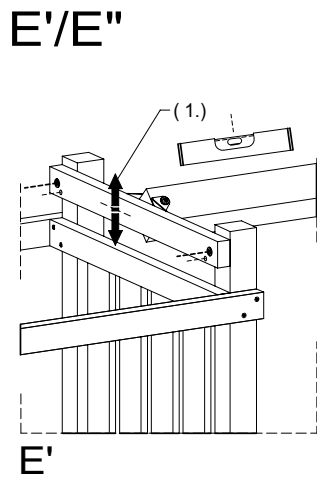
18.4

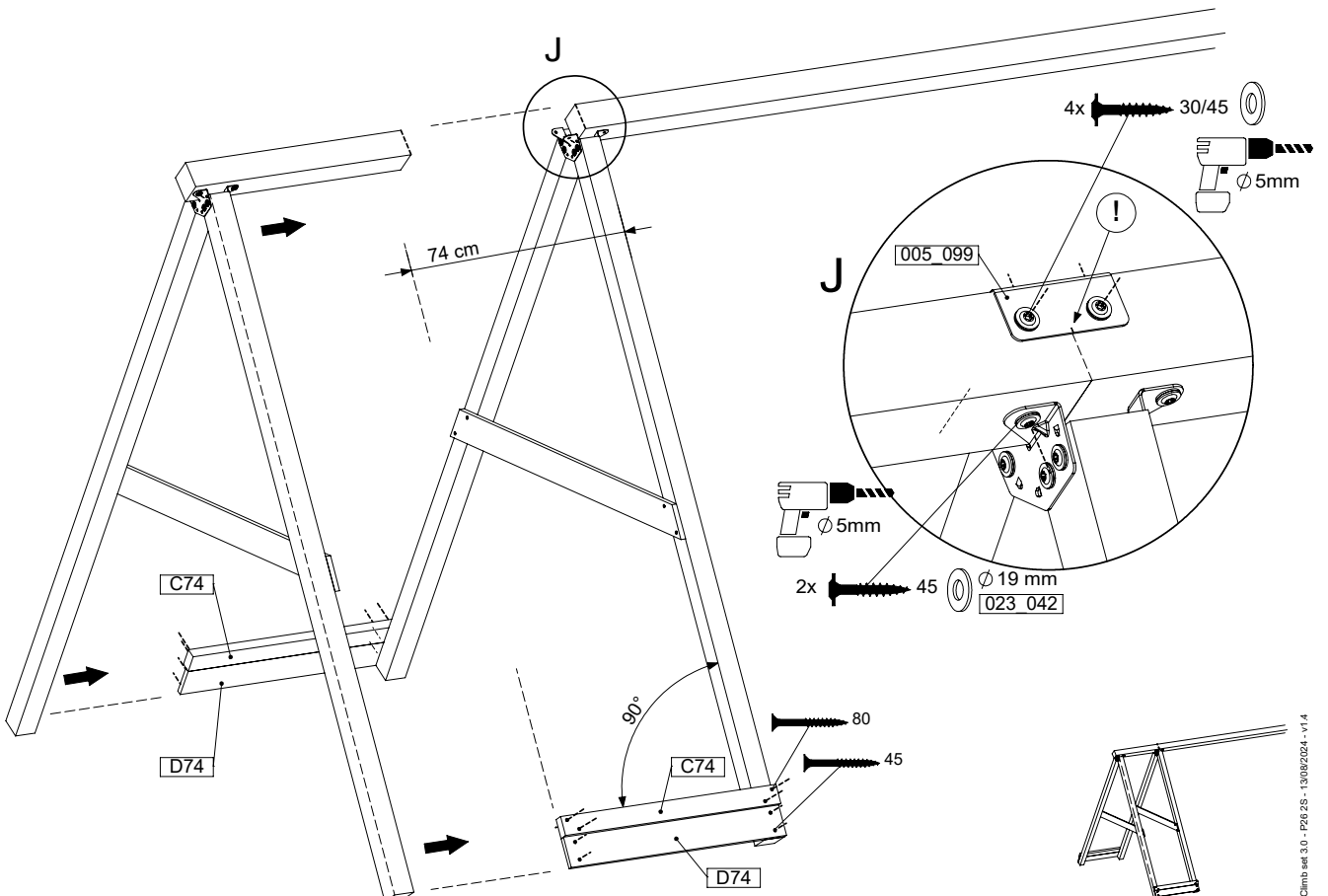
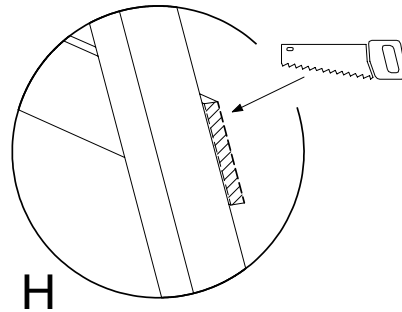
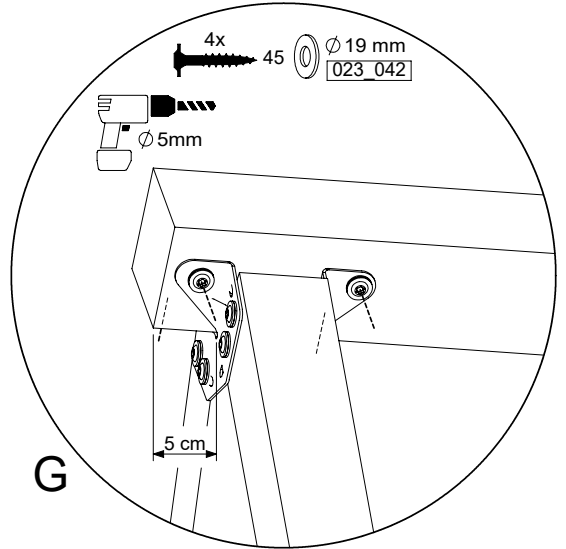
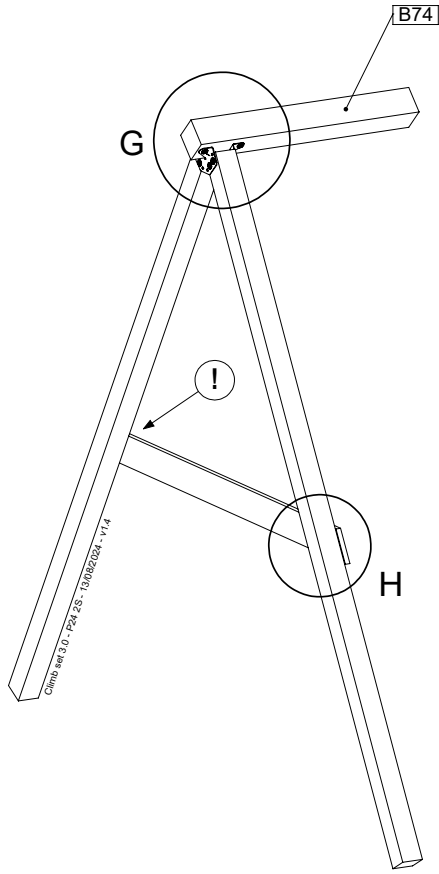


Climb set 3.0 - P22 uni - 13/08/2024 - v1.4



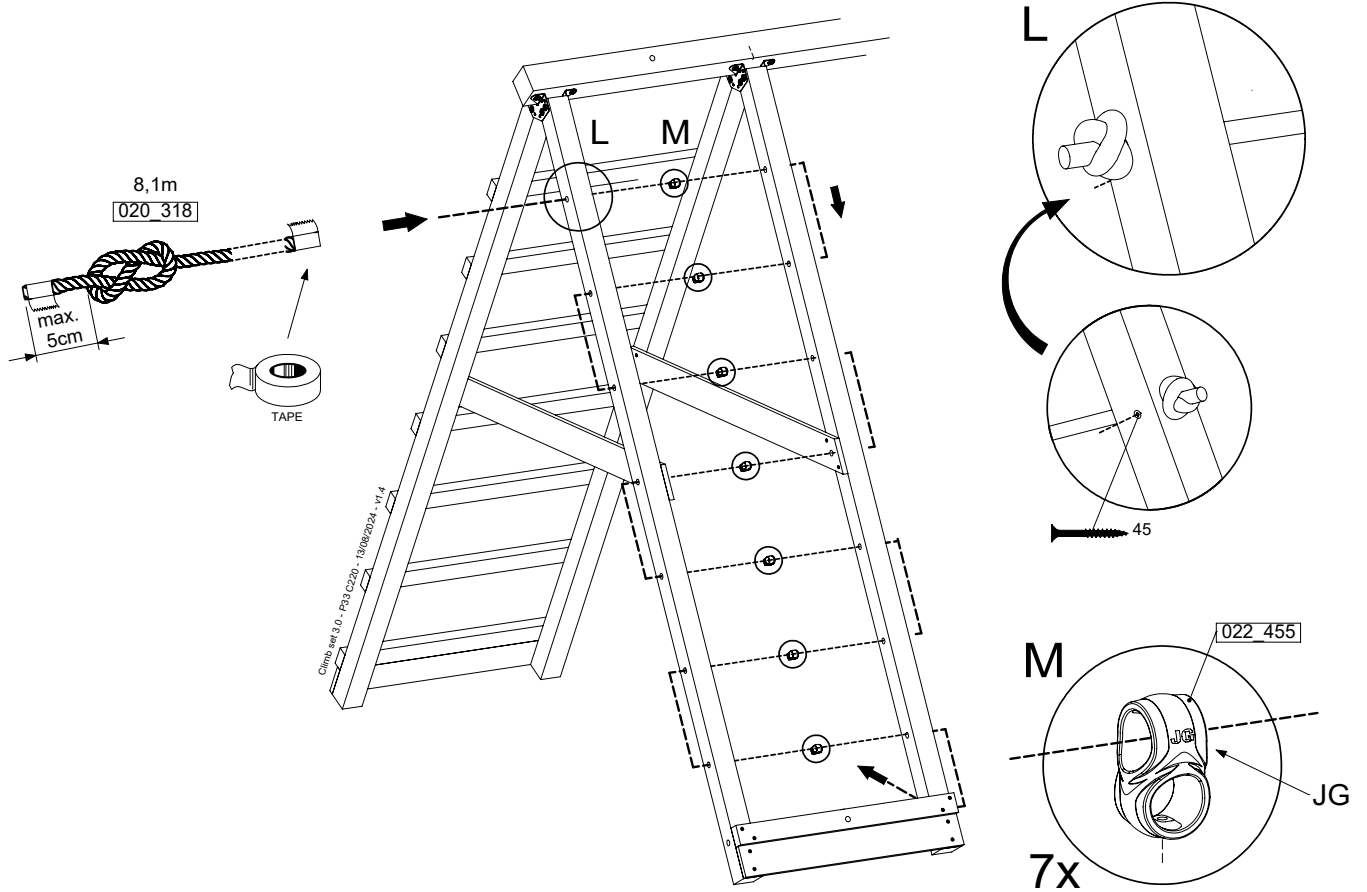
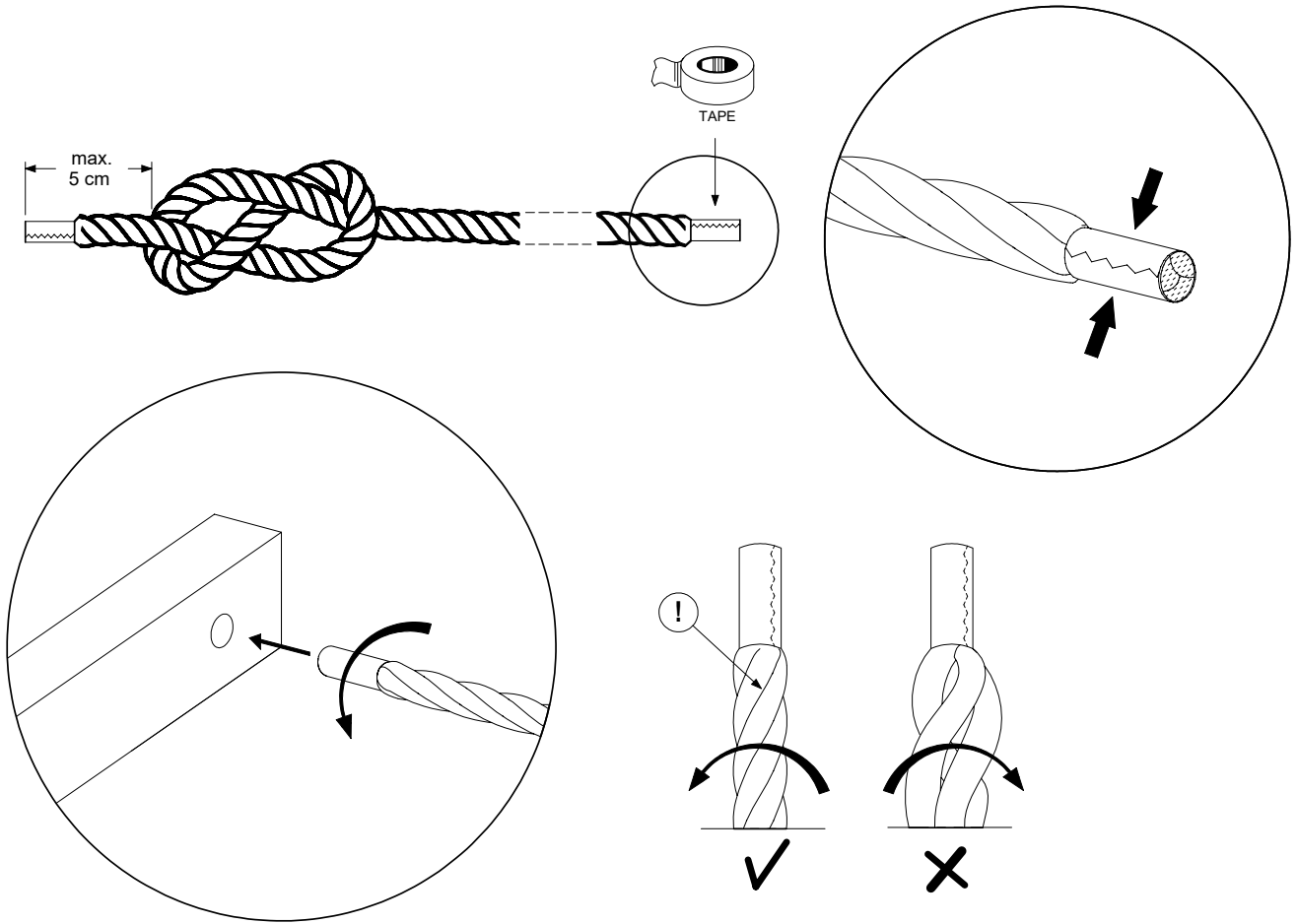
Climb set 3.0 - P23 uni - 13/08/2024 - v1.4

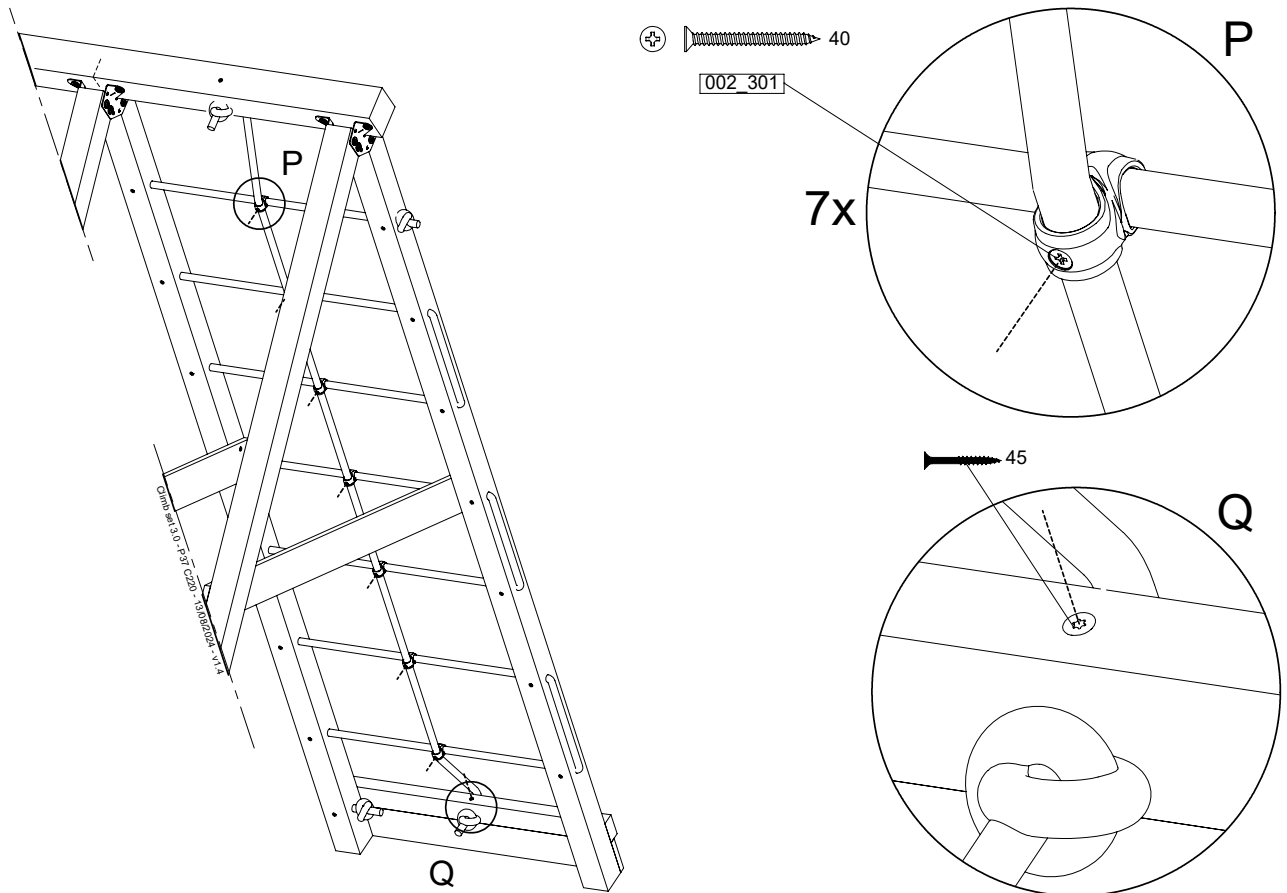
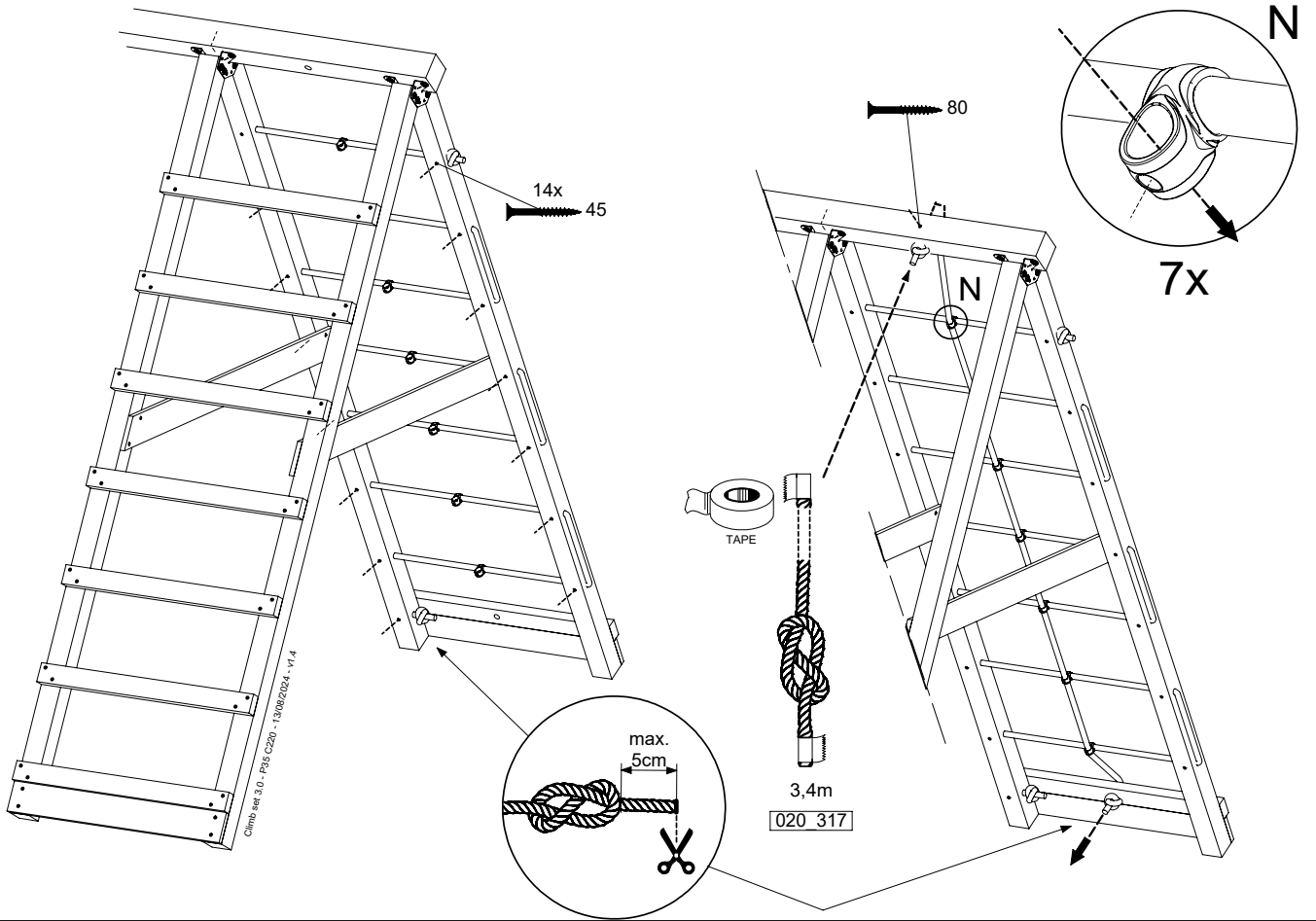


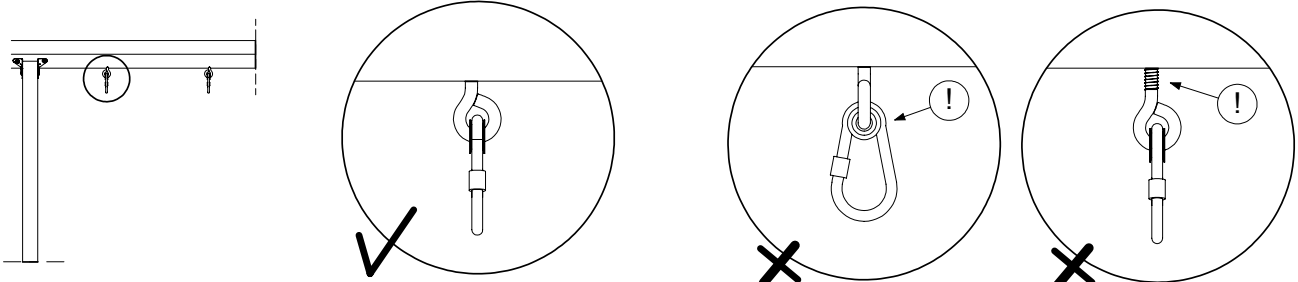
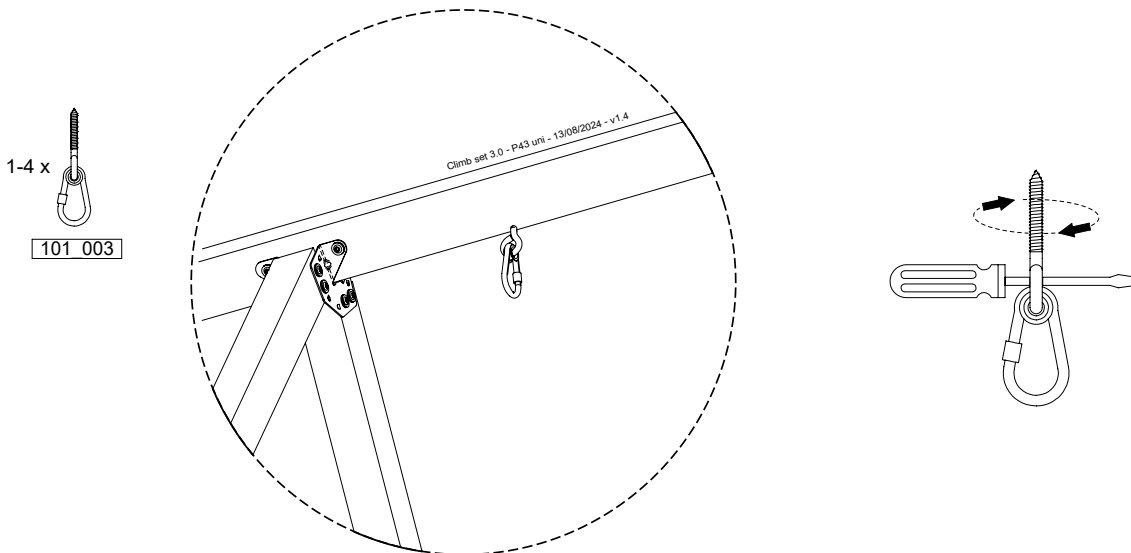
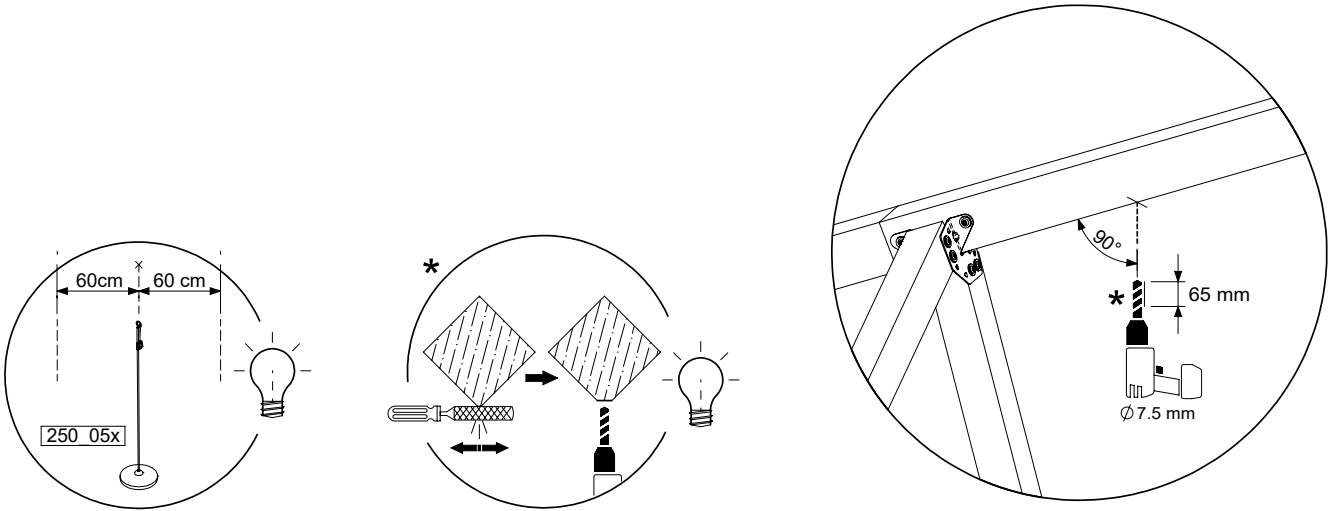
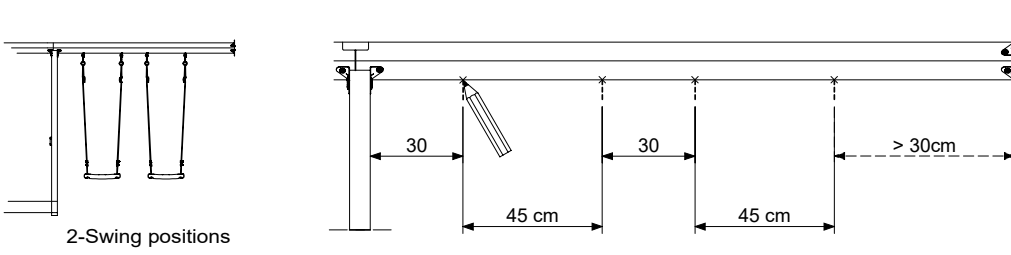


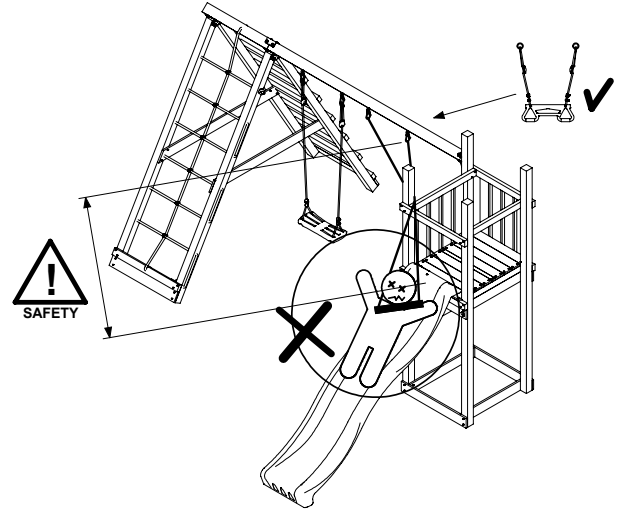
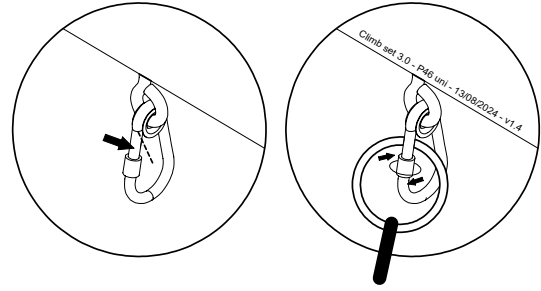
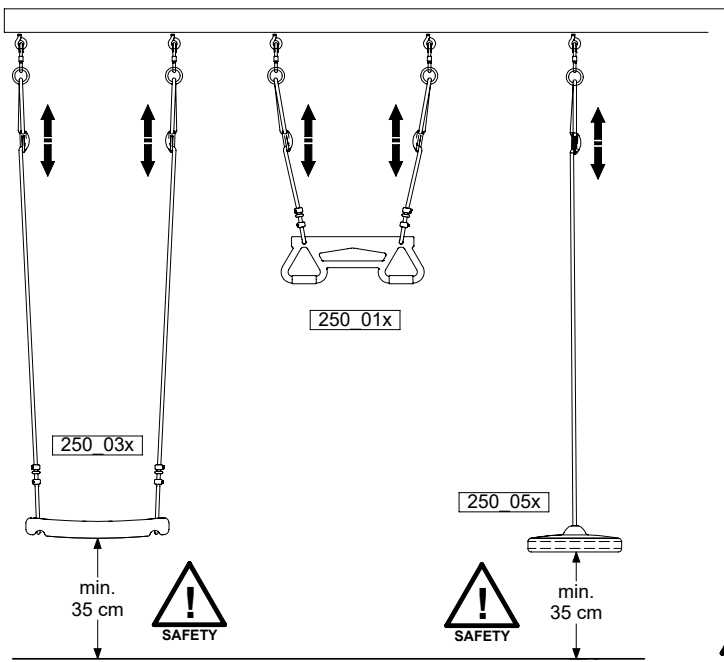
Climb set 3.0 - P26 2S - 13/09/2024 - v1.4

18.7

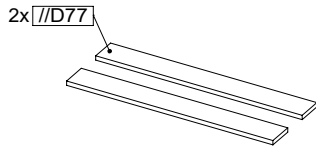
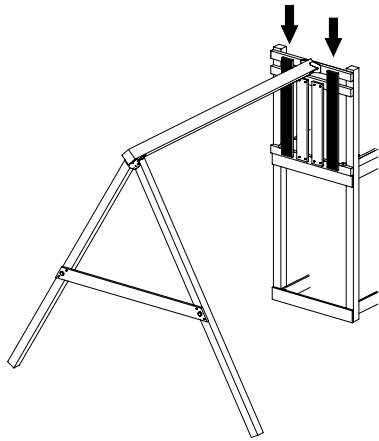




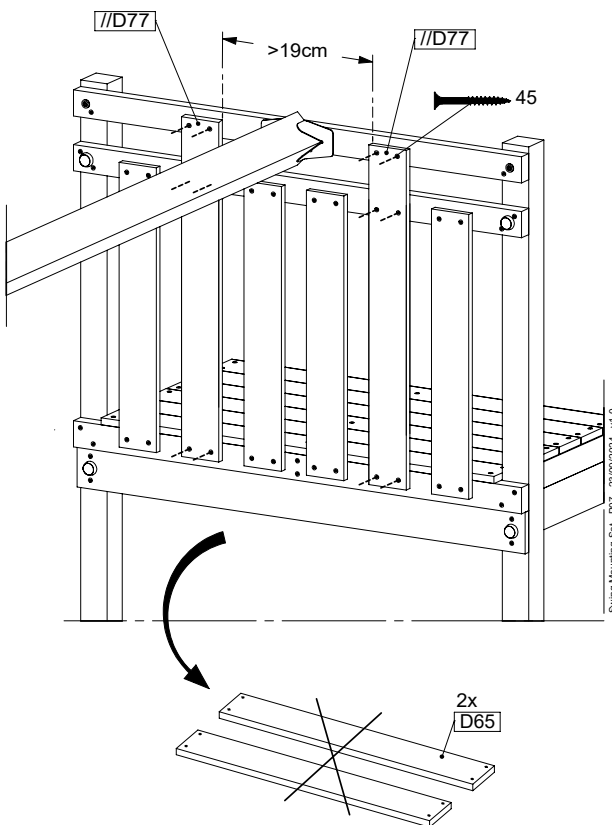
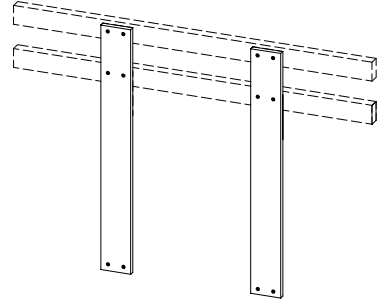




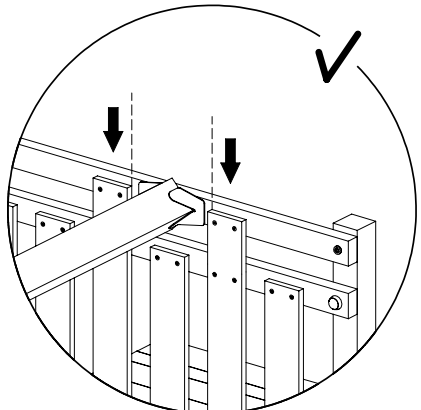
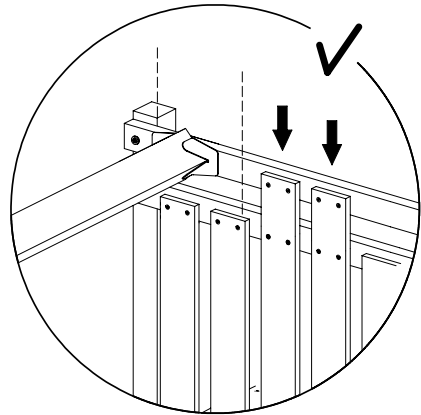
19 UB07a: Swing Mounting Set Uni - PART 2



Swing Mounting Set - P06 - 23/09/2024 - v1.0



Swing Mounting Set - P07 - 23/09/2024 - v1.0

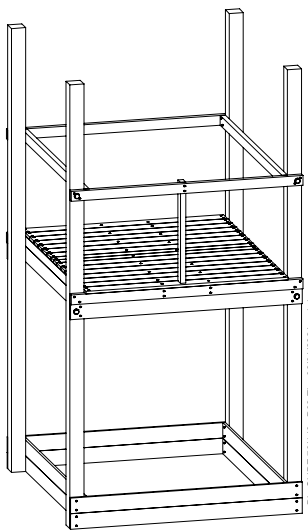
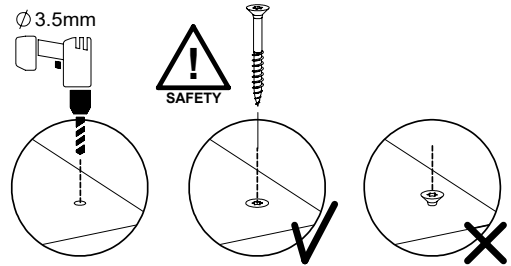
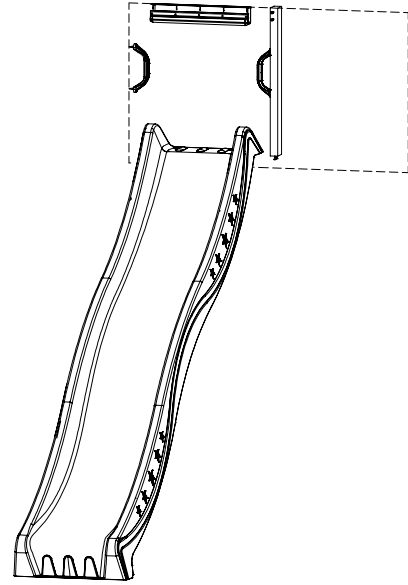


20 SL28a: Slide 140 145 T Left

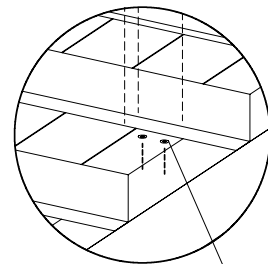
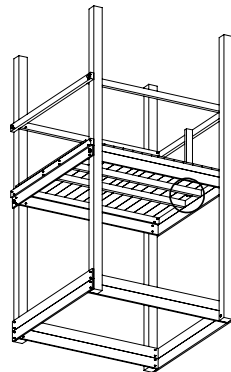
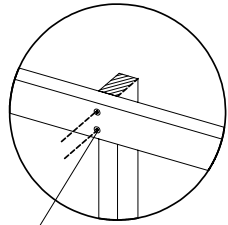
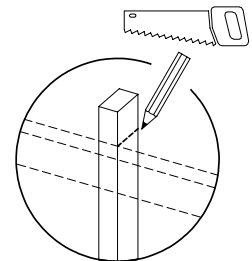
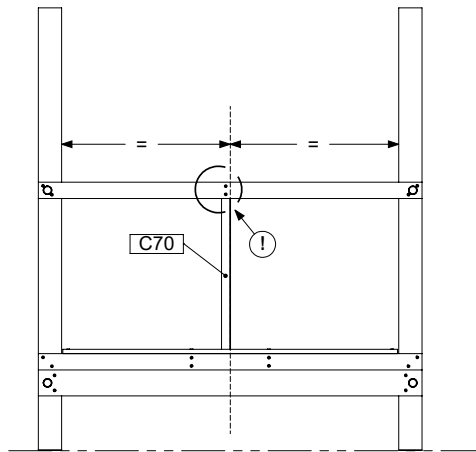
Assembly Pack: 194_107

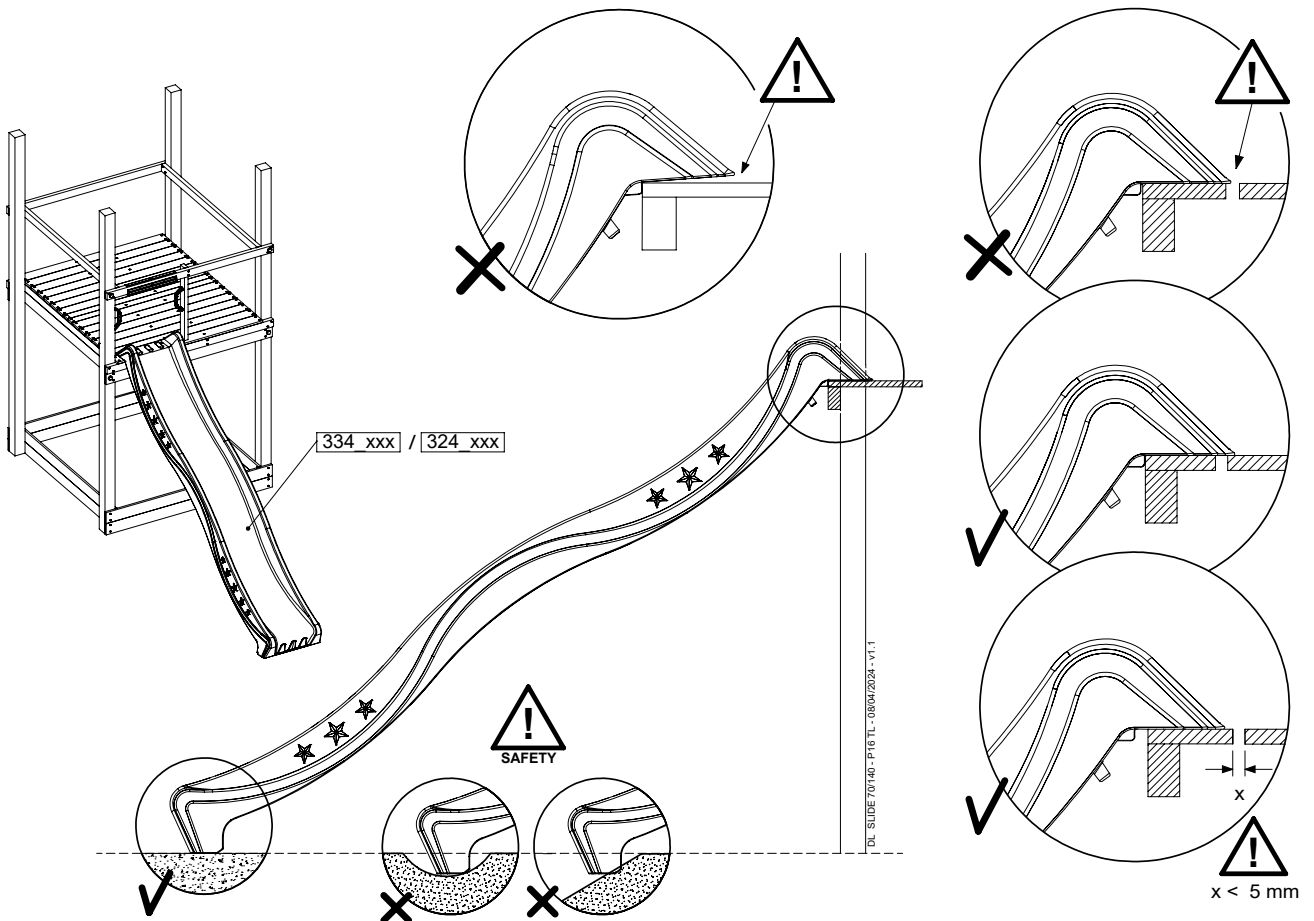
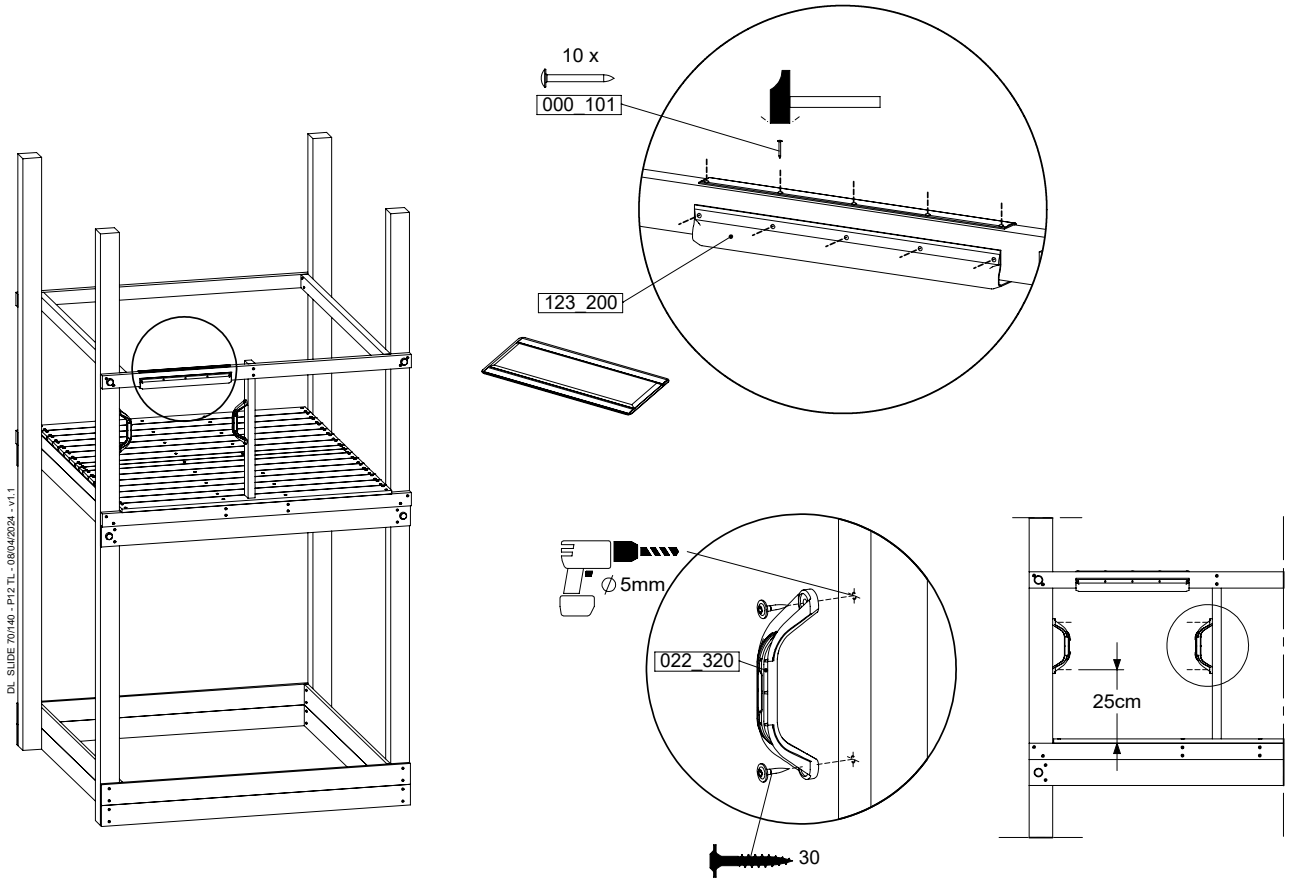
	PartNo	PartName	QTY.
Hardware pack	000_101	Nail Pan Head	10
	002_223	Gap Point Screw T25 - 5x80	4
	002_308	Gap Point Screw T25 - 5x20	2
Other	120_102	Handgrip set (complete 2x)	1
	123_200	Bumperpad	1
	334_xxx / 324_xxx	Wavy Star Slide XXL 2650 mm / Wavy Star Slide XL 2200 mm	1
Timber	C70	Beam 700 mm	1

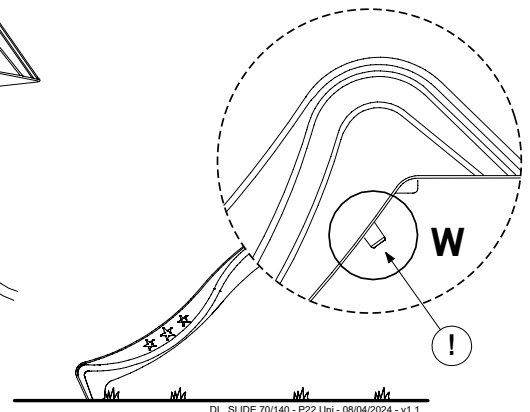
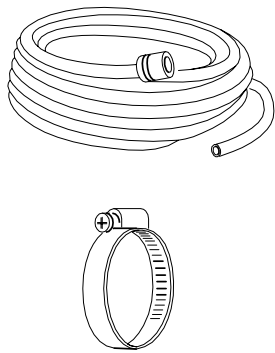
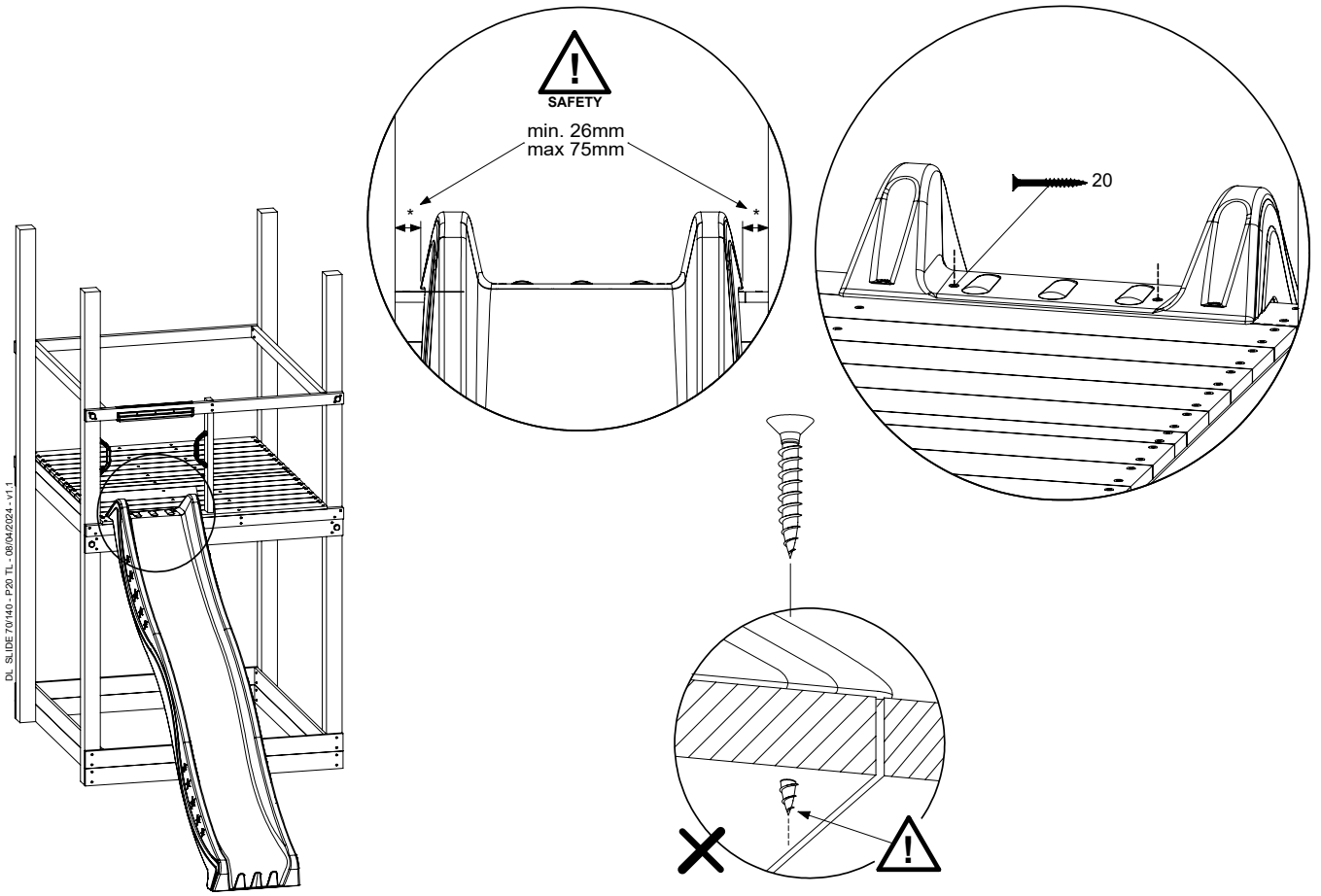
DL SLIDE 70/140 - P04 TL - 08/04/2024 - v1.1



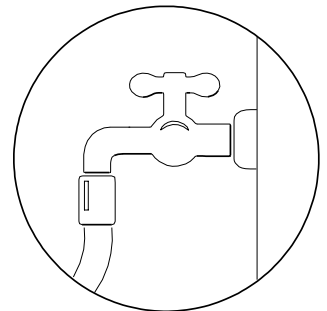
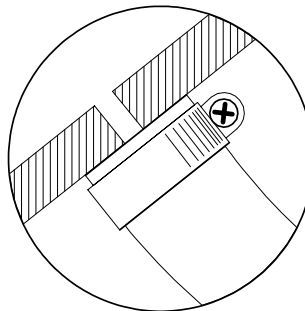
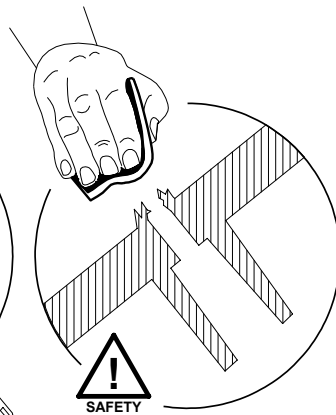
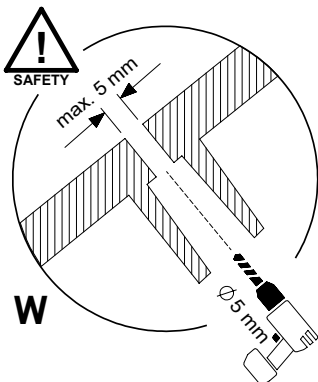
DL SLIDE 70/140 - P08 TL - 08/04/2024 - v1.1







DL SLIDE 70/140 - P22 Uri - 08/04/2024 - v1.1

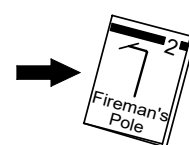
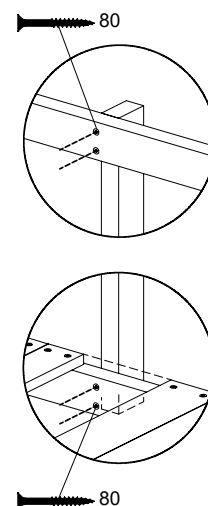
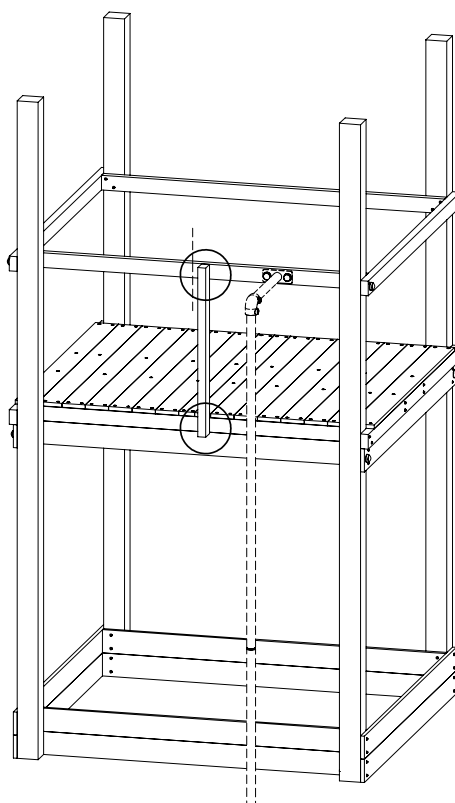
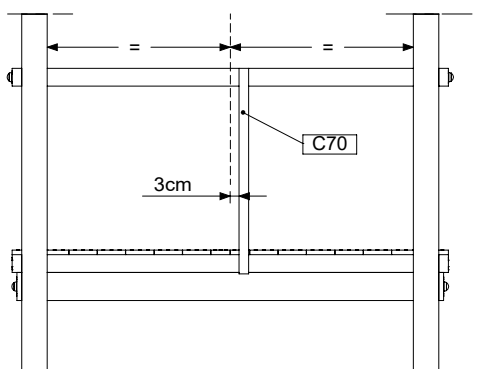
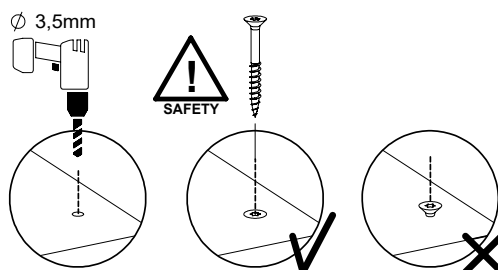
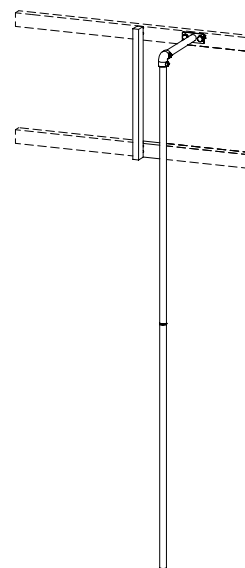


21 FP26a: Fireman's pole 140 Right U

(201_275)

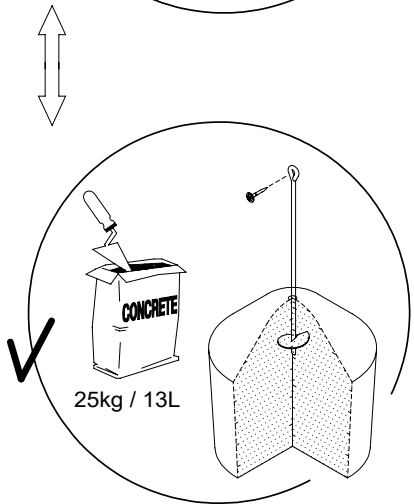
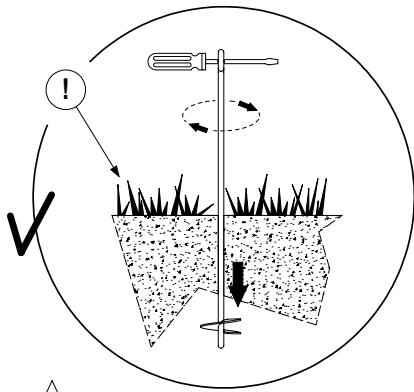
	PartNo	PartName	QTY.
Other	201_275	Fireman's Pole kit (incl. 4x Screw T25 5x80)	1
Timber	C70	Beam 700 mm	1

DL_Fireman's Pole 70 - P03 UR - 20/04/2023 - v1

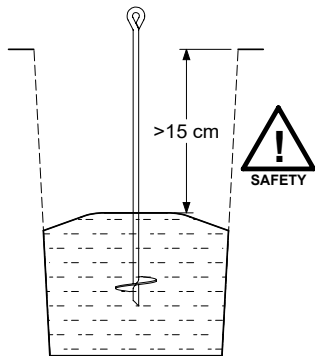
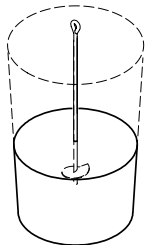
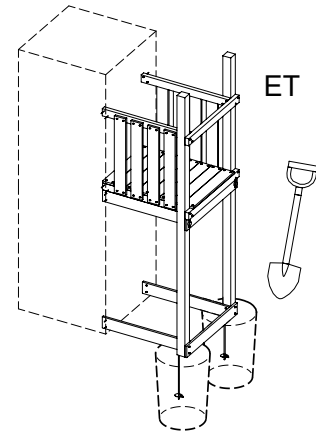
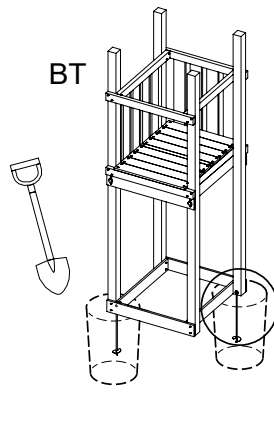
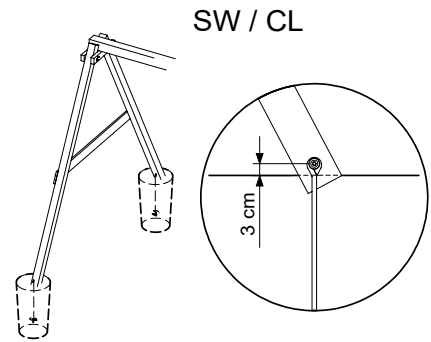
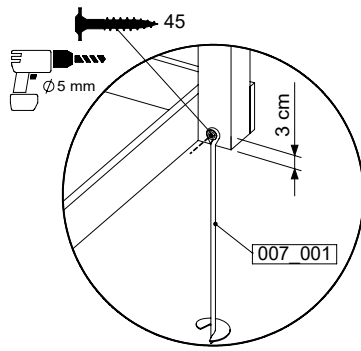


Fireman's Pole (201_275)
040_335 Part 2

22 GA: Ground Anchors



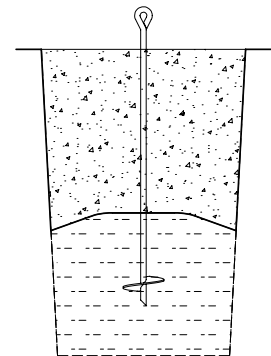
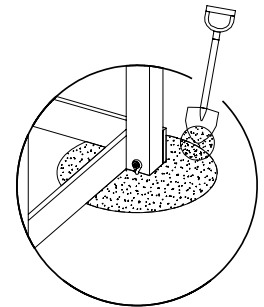
Ground Anchors Unit - PD3 - 14/06/2024 - v1.5



1.



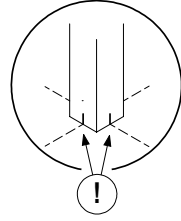
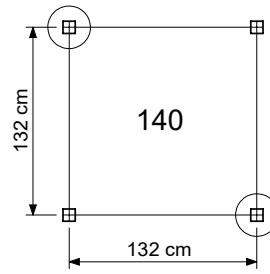
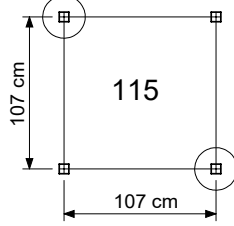
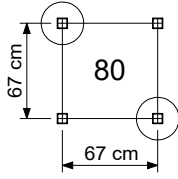
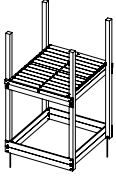
2.



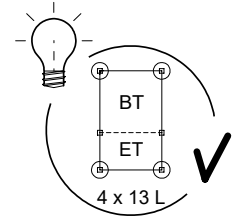
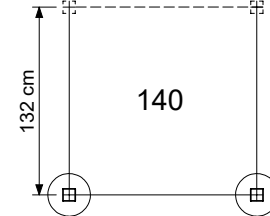
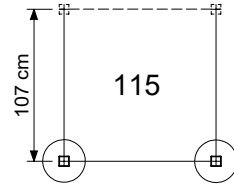
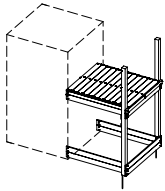
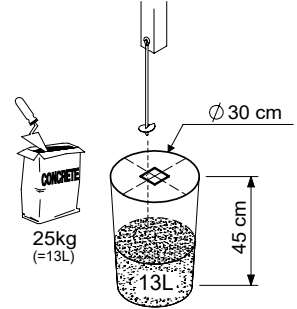
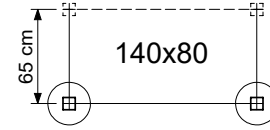
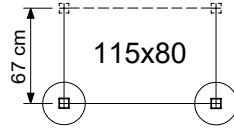
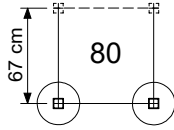
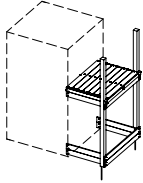
3.

Ground Anchors Unit - PD4 - 14/06/2024 - v1.5

BASE TOWERS

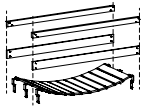


EXTENSION TOWERS

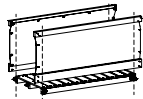


Ground Anchors Uni. - P01 - 14/06/2024 - v1.5

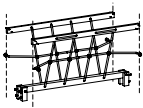
BRIDGES



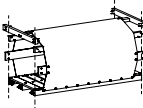
CLATTER



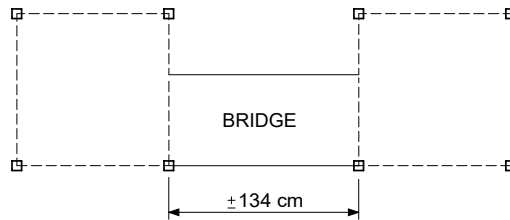
BOARDWALK



NET



TUNNEL

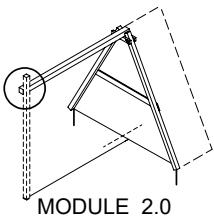


BRIDGE

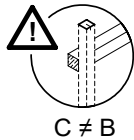
± 134 cm

Ground Anchors Uni. - P02 - 14/06/2024 - v1.5

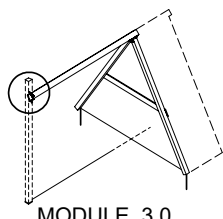
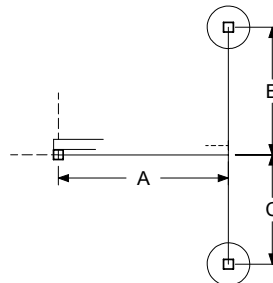
SWING / CLIMB



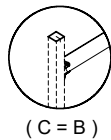
MODULE 2.0



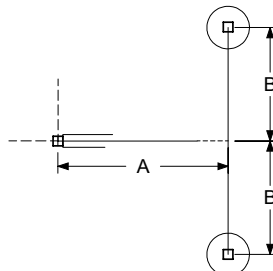
C ≠ B



MODULE 3.0



(C = B)



MODULE 2.0	Module type	A	B	C
	1-Swing 200	150	115	100
1-Swing 220 (Extra)		120	105	
1-Climb 200	142			
2-Climb 200	210	115	100	
2-Swing 200				
1-Climb 220 (Extra)	162			
2-Climb 220 (Extra)	230	120	105	
2-Swing 220 (Extra)				

cm

MODULE 3.0	Module type	A	B
	1-Swing 200 - 3.0	155	110
1-Swing 220 (Extra) - 3.0	115		
1-Climb 200 - 3.0	148		
2-Climb 200 - 3.0	222	110	
2-Swing 200 - 3.0		215	
1-Climb 220 (Extra) - 3.0	170		
2-Climb 220 (Extra) - 3.0	242	115	
2-Swing 220 (Extra) - 3.0		235	

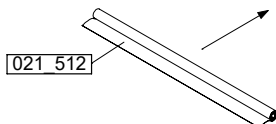
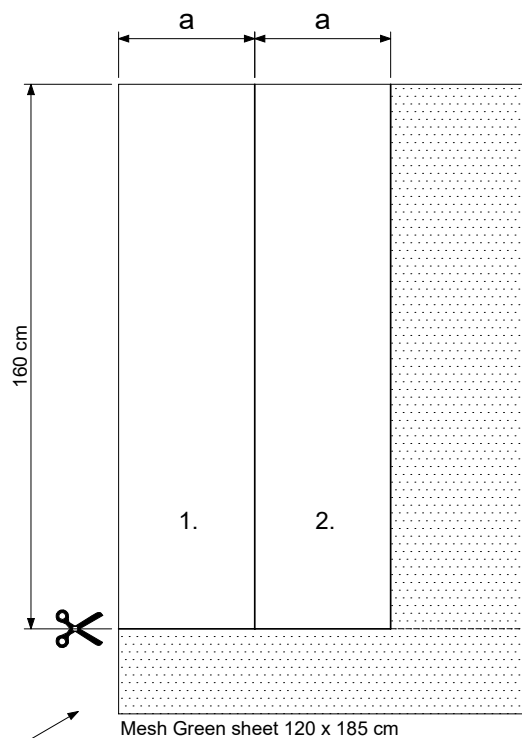
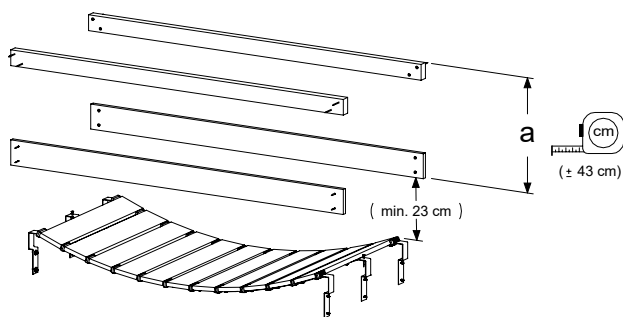
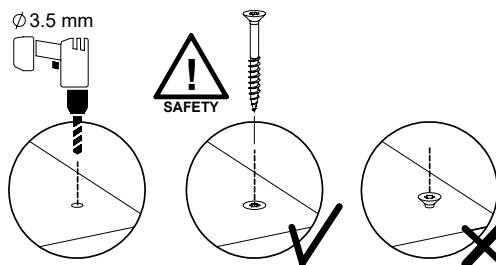
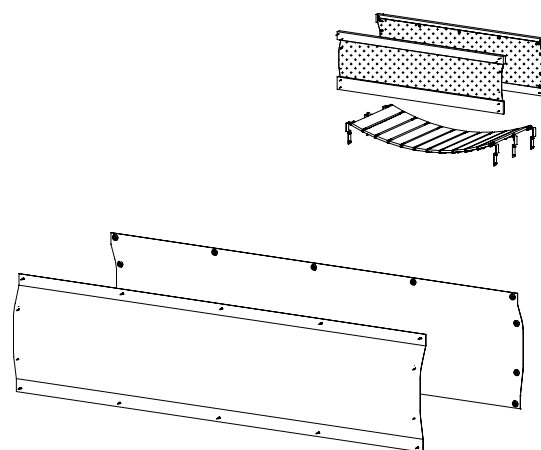
cm

23 AC30a: Bridge Mesh

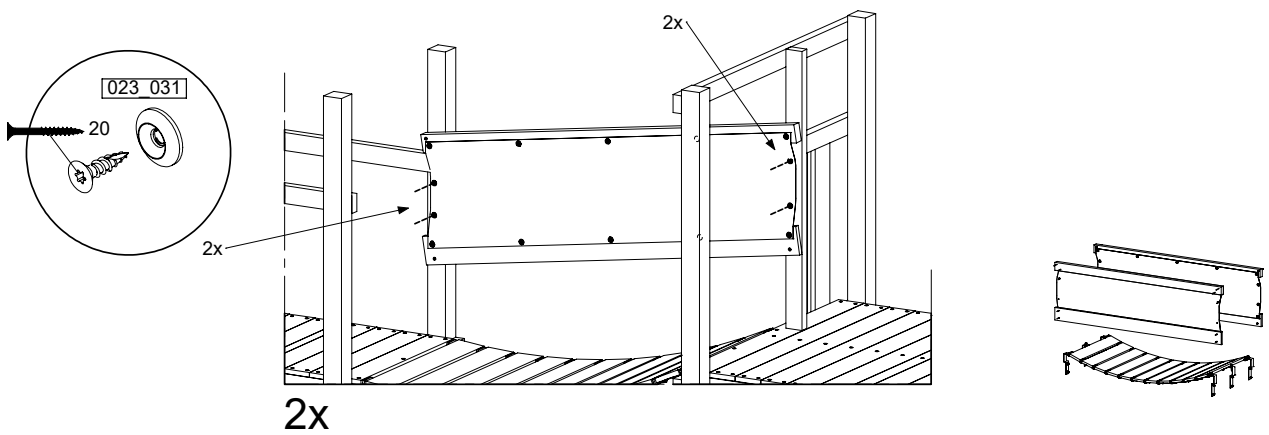
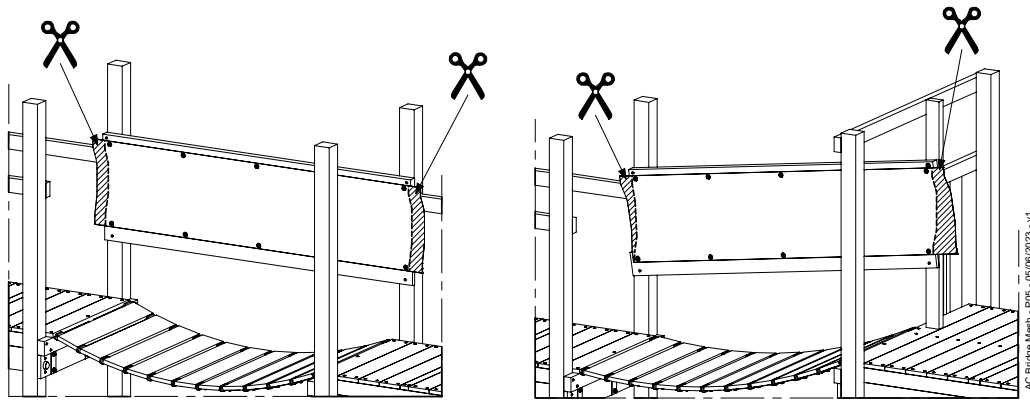
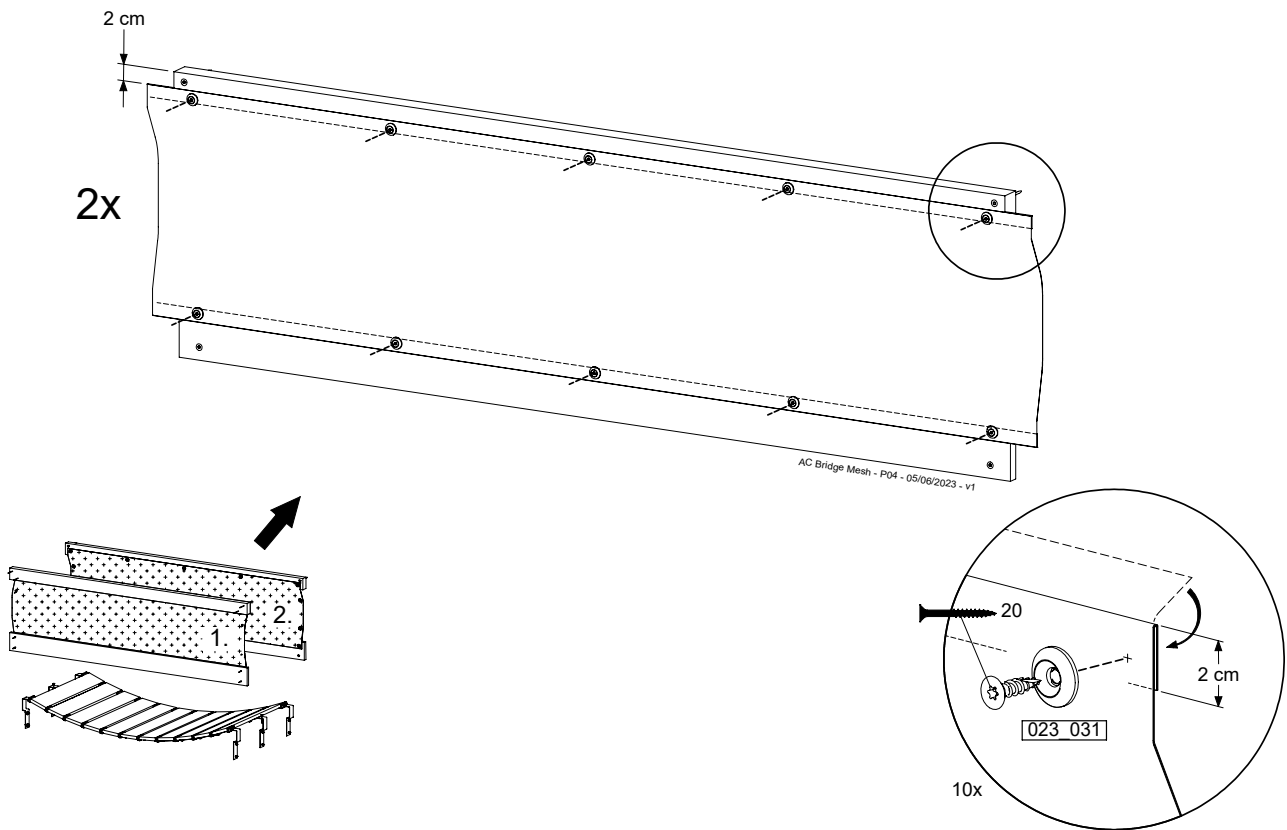
(123_230)

	PartNo	PartName	QTY.
Hardware Packs	002_308	Gap Point Screw T25 - 5x20	28
100_411	023_031	Finishing Washer GPS 5.0	28
Other	021_512	Mesh green 1.20 x 1.85m	1

AC Bridge Mesh - P02 - 05/06/2023 - v1



23.1

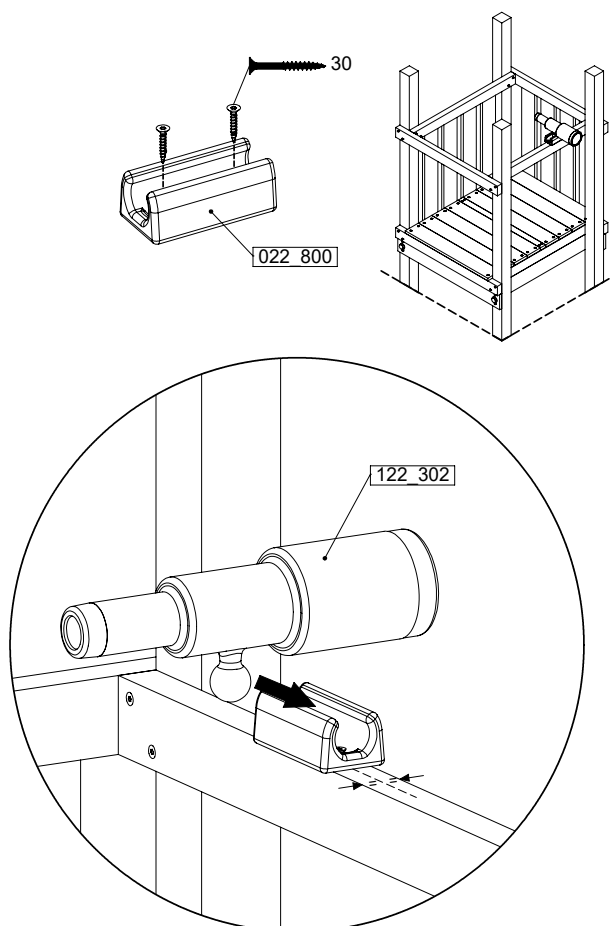
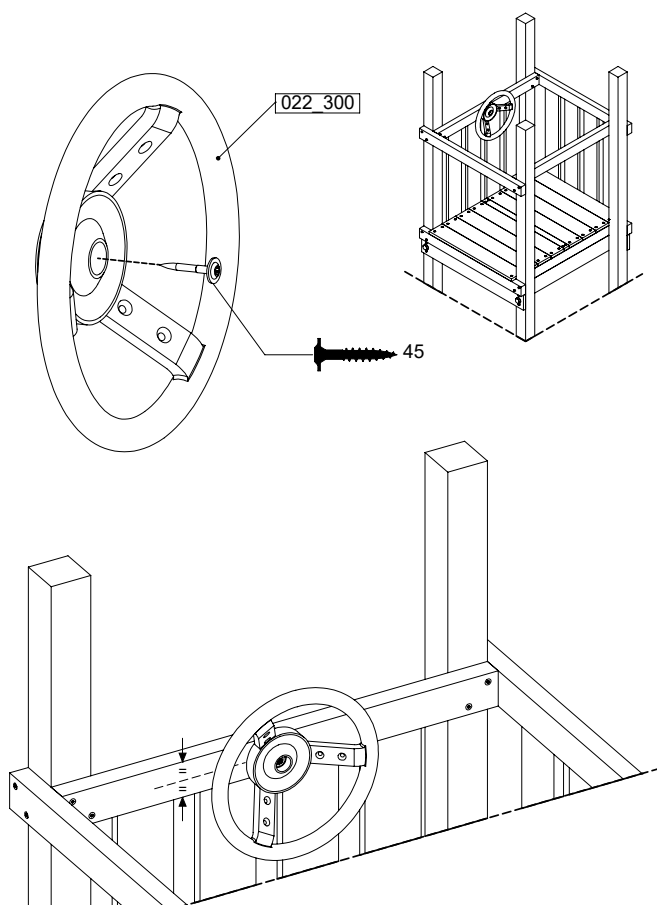
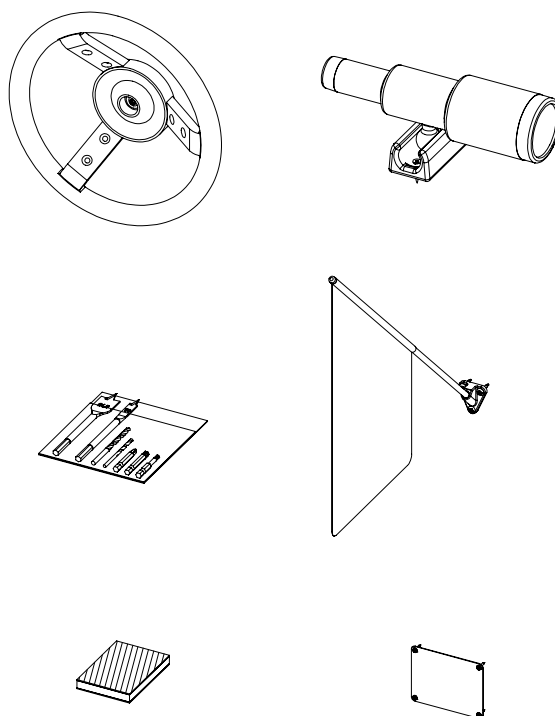


24 AC01a: Accessories

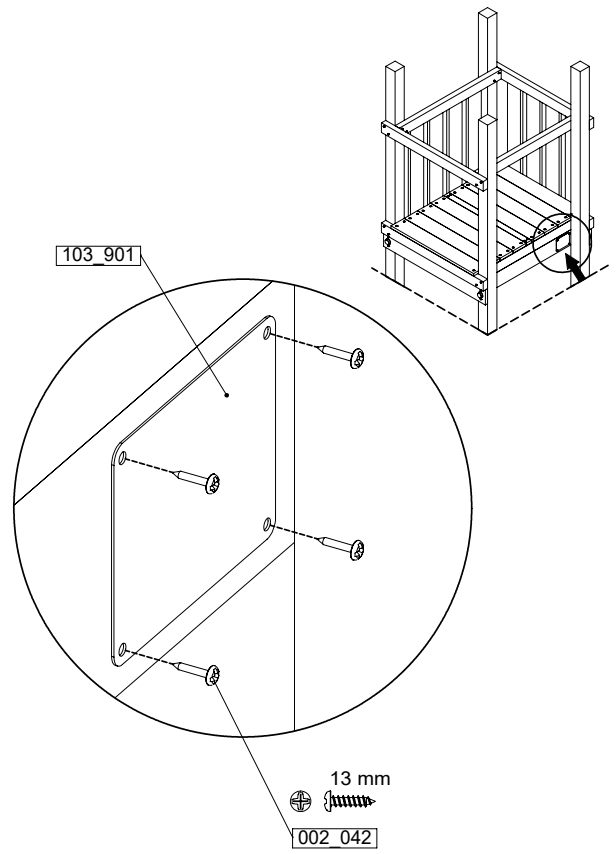
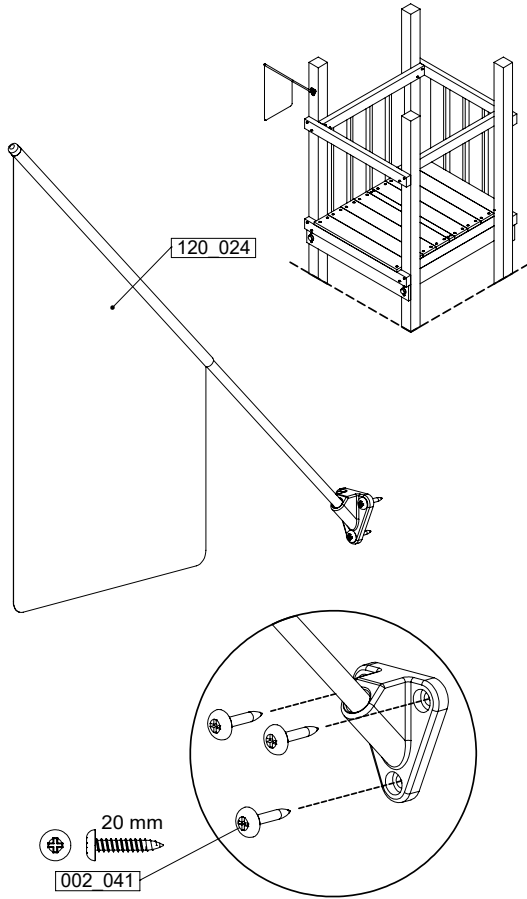
(194_119)

	PartNo	PartName	QTY.
Hardware Pack 100_617	001_406	Stealth Screw 8x45	1
	002_041	Dome head screw 4.5 x 20 mm	3
	002_042	Dome head screw 3.5 x 13mm	4
	002_219	Gap Point Screw T25 - 5x30	2
Other	022_300	Steering Wheel	1
	022_800	Rail P/T 105	1
	022_910	Sandpad	1
	103_901	Logo ID Plate	1
	104_107	Tool Set Climbing Units	1
	120_024	Tower Flag	1
	122_302	Telescope	1

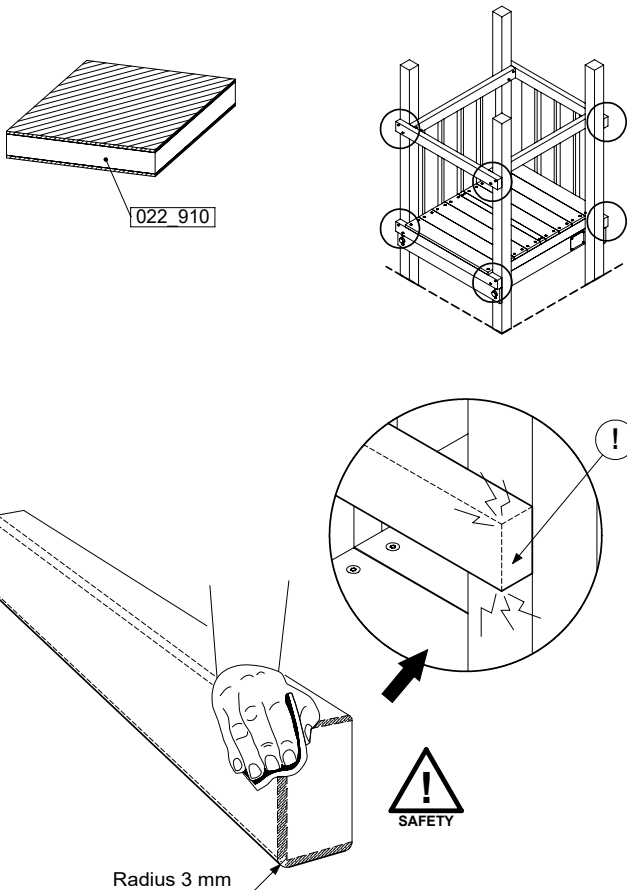
Accessory set - P02 - 24/01/2024 - v5



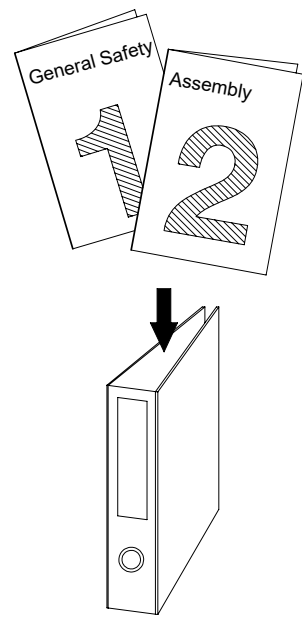
Accessory set - P03 - 24/01/2024 - v5



Accessory set - P04 - 24/01/2024 - v5



Accessory set - P05 - 24/01/2024 - v5





EU Declaration of Conformity
UK Conformity Assessed
EU-Konformitätserklärung
Déclaration EU de conformité



(in accordance with 768/2008/EC)

Product range: Activity toys for domestic use
Produktfamilie: Aktivitätsspielzeug für den häuslichen Gebrauch
Gamme de produits: Jouets d'activité à usage familial

DoC reference: 20241111_0500

Climbing frames

a. Assemblies for complete climbing frames - Bausätze für komplette Klettergerüste - Assemblages pour structures d'escalade complètes

Playtowers	801_005, 801_009, 801_010, 801_013, 801_025, 801_040, 801_060, 801_070, 801_090, 801_095, 801_100, 801_103, 801_105, 801_110, 801_120, 801_200, 802_202, 802_204, 802_206, 802_208, 803_202, 803_204, 803_206, 803_208, 803_210, 809_802, 809_804
Swings	801_300, 801_601, 801_602
Modules	850_176, 850_177, 850_231, 850_232, 857_101, 857_102, 857_105, 857_106, 857_151, 857_152, 857_157, 857_158, 850_240

b. Assemblies for climbing frames elements - Bausätze für Klettergerüst-Elemente - Assemblages pour éléments de structures d'escalade

Base towers (BT)	BT01a, BT02a, BT03a, BT11a, BT14a, BT15a, BT20a
Extension towers (ET)	ET01a, ET02a, ET05a, ET06a, ET07a, ET08a, ET09a, ET10a, ET11a, ET12a, ET13a, ET14a, ET15a, ET16a, ET17a, ET18a, ET19a, ET20a, ET22a, ET23a, ET27a, ET28a, ET35a, ET29a, ET39a, ET40a
Veranda (VD)	VD01a, VD02a, VD03a, VD04a, VD05a
Bridges (CB, NB, BB, TB)	CB01a, CB01b, NB01a, BB01a, BB02a, TB01a, TB02a, TB03a, TB04a
Roofs (RF)	RF01a, RF21a, RF02a, RF03a, RF04a, RF05a, RF06a, RF20a, RF02b, RF03b, RF28a, RF07a, RF08a, RF22a, RF09a, RF23a, RF11a, RF12a, RF16a, RF07b, RF12b, RF08b, RF22b, RF09b, RF23b, RF11b, RF29a, RF14a, RF24a, RF15a, RF25a, RF18a, RF17a, RF18b, RF14b, RF24b, RF15b, RF25b
Balustrade (BL, BF)	BL01a, BL02a, BL11a, BL12a, BL21a, BF25a, BF26a, BF27a, BF28a, BL03a, BL04a, BL13a, BL14a, BF01a, BF02a, BF03a, BF04a, BF05a, BF06a, BF07a, BF08a, BF01b, BF02b, BF03b, BF04b, BF05b, BF06b, BF07b, BF08b, BL05a, BL06a, BL07a, BL08a, BL09a, BL10a, BL15a, BL16a, BF21a, BF22a, BF23a, BF24a, BF21b, BF22b, BF23b, BF24b
Playhouse (PH)	PH03a, PH04a, PH05a, PH06a, PH10a, PH11a, PH40a, PH41a, PH12a, PH13a, PH14a, PH15a, PH42a, PH43a, PH44a, PH45a, PH16a, PH17a, PH18a, PH19a, PH30a, PH31a, PH16b, PH17b, PH18b, PH19b, PH46a, PH47a, PH48a, PH49a, PH16c, PH17c, PH18c, PH19c, PH46b, PH47b, PH48b, PH49b, PH20a, PH21a, PH22a, PH23a, PH24a, PH25a, PH26a, PH27a, PH32a, PH33a, PH52a, PH53a, PH54a, PH55a, PH56a, PH57a, PH50a, PH51a, PH26b, PH27b, PH26c, PH27c, PH56b, PH57b
Ladder (LA)	LA05a, LA06a, LA01a, LA02a, LA09a, LA03a, LA04a, LA01b, LA02b, LA09b, LA03b, LA04b, LA11a, LA12a, LA13a, LA14a, LA15a, LA16a, LA17a, LA18a, LA31a, LA32a, LA33a, LA34a, LA35a, LA36a, LA37a, LA38a, LA11b, LA12b, LA13b, LA14b, LA15b, LA16b, LA17b, LA18b, LA19a, LA20a, LA21a, LA22a, LA23a, LA24a, LA25a, LA26a, LA43a, LA44a, LA45a, LA46a, LA23b, LA24b, LA25b, LA26b
Two Step Ladder (TS)	TS01a, TS01b, TS02a, TS02b, TS03b, TS22a, TS05a, TS06a, TS07a, TS08a, TS09a, TS10a, TS11a, TS12a, TS15a, TS16a, TS17a, TS18a, TS19a, TS20a, TS21a, TS22a
Rope Ladder (RL)	RL01a, RL02a, RL05a, RL06a, RL07a, RL08a, RL09a, RL10a, RL11a, RL12a, RL15a, RL16a, RL19a, RL20a
Rock wall (RW)	RW01a, RW02a, RW01b, RW02b, RW03b, RW31a, RW32a, RW33a, RW05a, RW06a, RW07a, RW08a, RW09a, RW10a, RW11a, RW12a, RW40a, RW41a, RW15a, RW16a, RW17a, RW18a, RW19a, RW20a, RW46a, RW47a
Ramp (RA)	RA01b, RA02b, RA03a, RA04a, RA21a, RA05a, RA06a, RA07a, RA08a, RA05b, RA06b, RA07b, RA08b, RA11a, RA12a, RA09b, RA10b, RA11b, RA12b
Net (NA, NS)	NA01a, NA02a, NS01a, NS02a, NS03a, NS21a, NA04a, NA05a, NS04a, NS05a, NS06a, NS07a, NA08a, NA09a, NS08a, NS09a
Boat (BO)	BO01a
Market (MT) & Target Canvas (TC)	MT01a, MT02a, TC01a, TC02a, MT01b, MT02b, TC01b, TC02b, MT05a, MT06a, MT11a, MT12a
Picnic (PC)	PC01a, PC01b, PC05a, PC06a, PC09a, PC10a
Gymnastics bar (GY)	GY01a
Fireman's pole (FP)	FP01a, FP02a, FP04a, FP05a, FP06a, FP07a, FP23a, FP24a, FP25a, FP26a, FP27a, FP28a
Slides (SL)	SL01a, SL02a, SL03a, SL06a, SL07a, SL08a, SL09a, SL10a, SL11a, SL12a, SL13a, SL26a, SL27a, SL28a, SL29a
Swing (SM)	SW17a, SW21a, SW18a, SW22a, SW19a, SW23a, SW01a, SW05a, SW02a, SW06a, SW03a, SW07a, SW09a, SW13a, SW10a, SW14a, SW11a, SW15a
Climb (CL)	CL17a, CL21a, CL18a, CL22a, CL19a, CL23a, CL01a, CL05a, CL02a, CL06a, CL03a, CL07a, CL09a, CL13a, CL10a, CL14a, CL11a, CL15a
Universal Beam (UB)	UB01a, UB04a, UB02a, UB05a, UB03a, UB06a, UB07a, UB08a
Accessories (AC)	AC40a, AC30a, AC31a, AC32a, AC33a, AC01a, AC05a, AC07a, AC03a, AC04a, AC06a, AC23a, AC22a, AC24a, AC21a, AC25a, AC02a, AC09a, AC08a, AC10a

Construction packages

a. Assembly kits for complete climbing frames - Bausätze für komplette Klettergerüste - Kits de construction pour structures d'escalade complètes

Playtowers	401_015, 401_080, 401_125, 402_201, 402_202, 402_204, 402_206, 402_208, 403_202, 403_204, 403_206, 403_208, 403_210, 409_802, 409_804
Swings	401_300, 401_600
Modules	457_005, 457_102, 457_103, 457_106, 457_107, 457_205

b. Assembly packs for climbing frames elements - Baupakete für Klettergerüst-Elemente - Packs de construction pour éléments de structures d'escalade

Sub assemblies	194_002, 194_003, 194_004, 194_006, 194_007, 194_008, 194_009, 194_010, 194_011, 194_100, 194_101, 194_102, 194_103, 194_104, 194_105, 194_107, 194_108, 194_109, 194_110, 194_111, 194_112, 194_113, 194_114, 194_115, 194_116, 194_117, 194_118, 194_119, 194_300, 194_308, 194_312, 194_500, 194_501, 194_508, 194_510, 194_802, 194_804, 194_809, 194_810, 194_811, 194_812
----------------	---

Accessories and components - Zubehör und Komponenten - Accessoires et composants

Slides XL	324_100, 324_200, 324_300, 324_400, 324_500, 324_600
Slides XXL	334_100, 334_200, 334_300, 334_400, 334_500, 334_600
Fireman's pole	201_275
Climbing	201_060, 201_273
Imagination	201_280, 201_285, 201_290, 201_295, 202_473, 450_310, 450_320, 450_330
Swinging	250_001, 250_013, 250_025, 250_034, 250_053
Functional	123_220, 123_222, 123_230, 201_115, 201_220, 201_250, 201_260, 201_270, 202_620, 202_621, 202_622, 202_623, 202_624, 202_625, 202_626, 202_627, 202_628, 202_629, 202_824, 250_065, 250_070, 250_075

Applicable EU and UK directives and standards

General

- Product Safety Regulation (GPSR 2023/988/ EC)
- UK General Product Safety Regulations 2005 (GPSRs SI 2005/1803)
- General Product Safety Regulations 2005 (GPSRs SI 2005/1803)
- Reach directive 1907/2006
- AfPS GS 2019:01 PAK

Activity Toys

- Toy Safety Directive (TSD 2009/48/EC)
- UK Toys (Safety) Regulations 2011 (TSR SI 2011/1881)
- Harmonised European and UK toy standard (EN 71-1 -2,-3, and -8).

Additional audits

Test reports / Certificate:

TüV Rheinland Product Safety GmbH
Am Grauen Stein, 51105 Köln, Germany

Prüfbericht / Zertifikat:

Zertifikat: R 60010766, R 60024578
Prüfbericht: 21115718_003/004/005, 21140630_001/002

Rapport d'essai / certificate:

Dekra Automobil GmbH
Handwerkstraße 15, 70565 Stuttgart, Germany
Prüfbericht: 340331500_55245585/13-2

Laboratoire National de métrologie et d'essais (LNE)
29 Avenue Roger Hennequin, 78197 Trappes Cedex, France
Revue documentaire: K080196

Design

Product image:

Produktbild:

Image du produit:

Design code:

C r o X s i

Production date:

21-11-2024



Declaration

This declaration of conformity is issued solely under the responsibility of the manufacturer, who asserts that the aforementioned products comply with the applicable directives and harmonized standards, provided that installation, assembly, and maintenance are performed in accordance with the instructions supplied.

Diese Konformitätserklärung wird ausschließlich unter der Verantwortung des Herstellers ausgestellt, der erklärt, dass die genannten Produkte den geltenden Richtlinien und harmonisierten Standards entsprechen, vorausgesetzt, dass Installation, Montage und Wartung gemäß den bereitgestellten Anweisungen durchgeführt werden.

Cette déclaration de conformité est émise uniquement sous la responsabilité du fabricant, qui affirme que les produits mentionnés ci-dessus sont conformes aux directives applicables et aux normes harmonisées, à condition que l'installation, le montage et l'entretien soient réalisés conformément aux instructions fournies.

Manufacturer details

Jungle Gym B.V.

P.O. Box 75083
1059 CD Amsterdam,
Netherlands
info@junglegym.com
+31 85 44 44 100

Jungle Gym
BACKYARD PLAYGROUNDS

since 1988

Amsterdam, November 1st, 2024

On behalf of the manufacturer
Jungle Gym B.V.


Paul Schmit
CEO