

# Assembly instructions

Activity toy to be assembled by adults for outdoor domestic use.

## Montageanleitung

Spielgerät, das von Erwachsenen zusammengebaut werden muss, für den häuslichen Außenbereich.

## Instructions de montage

Jouet d'activité à assembler par des adultes pour une utilisation extérieure familial.

# 2

PART

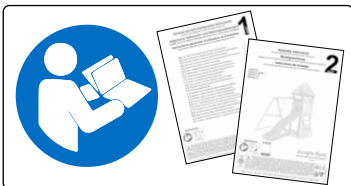
Design code: **RJQ4dc**

Product name: **Atlas 2-Climb 3.0**

Product number: **211563**



### OWNER MANUAL







3D VIEW

# Jungle Gym

## BACKYARD PLAYGROUNDS

since 1988

<p><b>Assembly time</b></p>  <p>10.0 hours by 2 adults v2711</p>	<p> <b>EN.</b> Warnings. Only for domestic use. Maximum number of users is 9. <b>DE.</b> Achtung. Nur für den Hausgebrauch. Maximale Benutzerzahl: 9. <b>FR.</b> Attention. Réserve à un usage familial. Le nombre maximal d'utilisateurs est de 9. <b>BG.</b> Внимание. За употреба само в домашни условия. Максималният брой потребители е 9. <b>CS.</b> Varování. Jen pro domácí použití. Maximální počet uživatelů je 9. <b>DA.</b> Advarsel. Kun til privat brug. Maksimum antal brugere er 9. <b>EL.</b> Προειδοποίησης. Μόνο για οικιακή χρήση. Μέγιστος αριθμός χρηστών 9. <b>ES.</b> Advertencias. Sólo para uso doméstico. Número máximo de usuarios: 9. <b>ET.</b> Hoiatused. Ainult koduseks kasutamiseks. Maksimaalne kasutajate arv on 9. <b>FI.</b> Varoitukset. Ainoastaan kotikäyttöön. Käyttäjää yhteensä enintään 9. <b>HR.</b> Upozorenja. Samo za kućansku uporabu. Maksimalan broj korisnika je 9. <b>HU.</b> Figyelmeztetések. Csak otthoni használatra! A használók max. száma: 9. <b>IS.</b> Varnaðarorð. Eingöngu fyrir einkanotkun í heimahúsum og á einkalóum. Hámarksfjöldi notenda er 9. <b>IT.</b> Avvertenze. Solo per uso domestico. Massimo numero di utenti è 9. <b>LT.</b> Įspėjimai. Tik buitiniam naudojimui. Maksimalus naudotojų skaičius 9. <b>LV.</b> Brīdinājumi. Izmantot tikai mājās. Maksimālais lietotāju skaits ir 9. <b>NL.</b> Waarschuwingen. Uitsluitend voor huishoudelijk gebruik. Het maximale aantal gebruikers is 9. <b>NO.</b> Advarsel. Kun for privat bruk. Maksimalt antall brukere er 9. <b>PL.</b> Ostrzeżenia. Wyłącznie do użytku domowego. Maksymalna liczba użytkowników to 9. <b>PT.</b> Avisos. Apenas para uso doméstico. O número máximo de utilizadores é 9. <b>RO.</b> Avertismente. Numai pentru uz domestic. Numărul maxim de utilizatori este 9. <b>SK.</b> Upozornenia. Iba na domáce použitie. Maximálne množstvo osôb je 9. <b>SL.</b> Opozorila. Samo za domačo uporabo. Maksimalno število uporabnikov je 9. <b>SV.</b> Varningar. Endast för hemmabruk. Det maximala antalet användare är 9.</p>	<p><b>UK</b> <b>CA</b> <b>CE</b></p>  
--	---	--



# Customer service and support Kundendienst und Unterstützung Service clients et support

FAQ



[helpdesk.jungle gym.com/help](https://helpdesk.jungle gym.com/help)



FAQ

E-mail



[info@jungle gym.com](mailto:info@jungle gym.com)

Phone



EU 0031 85 44 44 102

Monday-Friday,  
CET 9:00am - 4:00pm  
Local phone charges may apply.



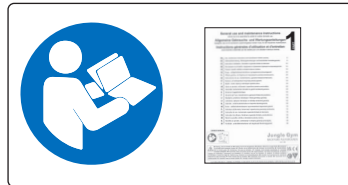
## General safety notice Allgemeine Sicherheitswarnung Avertissement de securité général



1-5 \*

**Warning!**  
**Achtung!**  
**Attention!**

### OWNER MANUAL



PART 1

[my.jungle gym.com](https://my.jungle gym.com)



1-12 \*

**Potential hazards**  
**Potenzielle Gefahren**  
**Dangers potentiels**

**Important:** Before assembling and using this product, please carefully read the provided Use- and maintenance instructions (part 1) and assembly instructions (part 2) thoroughly.



1-7 \*

**Installation notices**  
**Installationsplanung**  
**Planification de l'installation**

**Wichtig:** Lesen Sie vor der Montage und Benutzung dieses Produkts die beiliegende Gebrauchs- und Wartungsanweisungen (Teil 1) und die Montageanleitung (Teil 2) sorgfältig durch.



1-14 \*

**Assembly instructions**  
**Montageanweisungen**  
**Instructions de montage**

**Important:** Avant de monter et d'utiliser ce produit, veuillez lire attentivement le manuel Instructions d'utilisation et de maintenance (partie 1) et les instructions de montage (partie 2).



1-7 \*

**Safe play instructions**  
**Sichere Spielanweisungen**  
**Consignes de jeu sécurité**



\* = Part 1



## Preparatory work Vorbereitende Arbeiten Travaux préparatoires

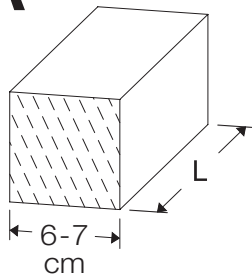


Overview of the total delivery scope  
Übersicht über den gesamten Lieferumfang  
Aperçu de l'ensemble de la portée de livraison

#	Description	Supplier ID	Sub-assembly ID
1	Base Tower 80_220220_125	790_003	BT03a
1	Base Tower 115_240240_125	792_002	BT11a
1	Extension Tower 80_200_125	790_101	ET01a
1	Extension Tower 11580_220_145 down	792_105	ET11a
1	Roof Timber Gable 115	792_202	RF08a
1	Roof Timber Gable 80	790_201	RF21a
4	Balustrade 80_U	790_301	BL01a
1	Balustrade 115_T	792_301	BL04a
1	Playhouse 80 T Window	790_313	PH06a
1	Ladder 115_145 T L x Balustrade	792_432	LA17a
1	Ramp 80 U	790_441	RA03a
1	Picnic 115 T	792_503	PC06a
1	Tunnel Bridge 80 T level	790_631	TB02a
1	Bridge Frame 115 T R Crawl	792_603	BF08a
1	Slide Frame 115_125 U L x Balustrade	792_901	SL06a
1	Fireman's pole 80 T	790_903	FP02a
1	2- Climb Module 200 3.0	757_112	CL06a
1	Accessories Set	194_119	AC01a
2	Accessories Sling Swing	250_001	AC23a
1	Wavy Star Slide XL	324_x00a	324_x00a

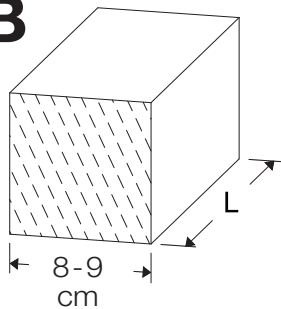
**Identifying and inventorying of the individual timber parts**  
**Identifizierung und inventarisieren der der einzelnen Holzteile**  
**Identification et inventorier les pièces en bois individuels**

**A**



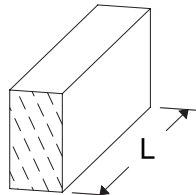
ID	L	#
A200	199 cm - 200 cm	2
A220	219 cm - 220 cm	10
A240	239 cm - 240 cm	4

**B**



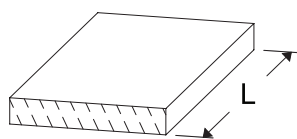
B74	73 cm - 74 cm	1
B220	219 cm - 220 cm	1

**C**



C37	36 cm - 37 cm	7
C56	55 cm - 56 cm	2
C62	61 cm - 62 cm	2
C70	69 cm - 70 cm	3
C74	73 cm - 74 cm	29
C84	83 cm - 84 cm	3
C90	89 cm - 90 cm	2
C96	85 cm - 96 cm	2
C114	113 cm - 114 cm	10
C141	140 cm - 141 cm	8
C150	149 cm - 150 cm	2
C154	153 cm - 154 cm	2

**D**



D47	46 cm - 47 cm	1
D60	59 cm - 60 cm	51
D65	64 cm - 65 cm	29
D74	73 cm - 74 cm	47
D100	99 cm - 100 cm	29
D114	113 cm - 114 cm	23
D127	126 cm - 127 cm	24
D141	140 cm - 141 cm	5

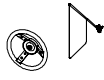


**Identification, inventorying, and registering of the individual assembly packs**  
**Identifizierung, inventarisieren und registrieren der einzelnen Baupakete**  
**Identification, inventorier et enregistrer les packs de construction individuels**




**Example**

Accessory Set



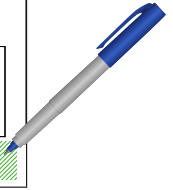
**AC**










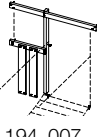
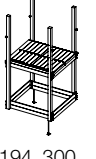
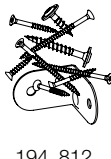
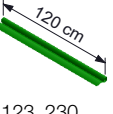

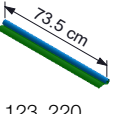

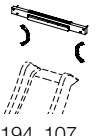

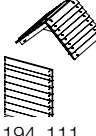


**1x**

194\_119

LOT: 2 7 1 1

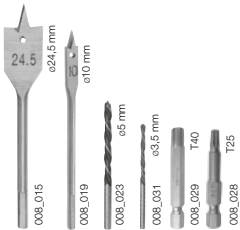


<p>Roof Timber 115</p>  <p><b>RF</b></p> <p>194_308</p> <p><b>1x</b></p> <p>LOT: <span style="background-color: #cccccc;"> </span> <span style="background-color: #cccccc;"> </span> <span style="background-color: #cccccc;"> </span> <span style="background-color: #cccccc;"> </span></p>	<p>Fireman's Pole</p>  <p><b>FP</b></p> <p>201_275</p> <p><b>1x</b></p> <p>LOT: <span style="background-color: #cccccc;"> </span> <span style="background-color: #cccccc;"> </span> <span style="background-color: #cccccc;"> </span> <span style="background-color: #cccccc;"> </span></p>	<p>Ladder 145</p>  <p><b>LA</b></p> <p>194_004</p> <p><b>1x</b></p> <p>LOT: <span style="background-color: #cccccc;"> </span> <span style="background-color: #cccccc;"> </span> <span style="background-color: #cccccc;"> </span> <span style="background-color: #cccccc;"> </span></p>	<p>Hardware 01</p>  <p><b>BL</b> <b>H01</b></p> <p>194_101</p> <p><b>6x</b></p> <p>LOT: <span style="background-color: #cccccc;"> </span> <span style="background-color: #cccccc;"> </span> <span style="background-color: #cccccc;"> </span> <span style="background-color: #cccccc;"> </span></p>	<p>Balustrade 140</p>  <p><b>BL</b></p> <p>194_501</p> <p><b>2x</b></p> <p>LOT: <span style="background-color: #cccccc;"> </span> <span style="background-color: #cccccc;"> </span> <span style="background-color: #cccccc;"> </span> <span style="background-color: #cccccc;"> </span></p>
<p>Accessory Set</p>  <p><b>AC</b></p> <p>194_119</p> <p><b>1x</b></p> <p>LOT: <span style="background-color: #cccccc;"> </span> <span style="background-color: #cccccc;"> </span> <span style="background-color: #cccccc;"> </span> <span style="background-color: #cccccc;"> </span></p>	<p>Climb Module Kit</p>  <p><b>CL</b></p> <p>457_107</p> <p><b>1x</b></p> <p>LOT: <span style="background-color: #cccccc;"> </span> <span style="background-color: #cccccc;"> </span> <span style="background-color: #cccccc;"> </span> <span style="background-color: #cccccc;"> </span></p>	<p>Sling Swing</p>  <p><b>AC</b></p> <p>250_001</p> <p><b>2x</b></p> <p>LOT: <span style="background-color: #cccccc;"> </span> <span style="background-color: #cccccc;"> </span> <span style="background-color: #cccccc;"> </span> <span style="background-color: #cccccc;"> </span></p>	<p>Tower 80</p>  <p><b>BT</b> <b>ET</b></p> <p>194_100</p> <p><b>2x</b></p> <p>LOT: <span style="background-color: #cccccc;"> </span> <span style="background-color: #cccccc;"> </span> <span style="background-color: #cccccc;"> </span> <span style="background-color: #cccccc;"> </span></p>	<p>Bridge Frame</p>  <p><b>BF</b></p> <p>194_007</p> <p><b>1x</b></p> <p>LOT: <span style="background-color: #cccccc;"> </span> <span style="background-color: #cccccc;"> </span> <span style="background-color: #cccccc;"> </span> <span style="background-color: #cccccc;"> </span></p>
<p>Tower 115</p>  <p><b>BT</b> <b>ET</b></p> <p>194_300</p> <p><b>2x</b></p> <p>LOT: <span style="background-color: #cccccc;"> </span> <span style="background-color: #cccccc;"> </span> <span style="background-color: #cccccc;"> </span> <span style="background-color: #cccccc;"> </span></p>	<p>Hardware 12</p>  <p><b>H12</b></p> <p>194_812</p> <p><b>1x</b></p> <p>LOT: <span style="background-color: #cccccc;"> </span> <span style="background-color: #cccccc;"> </span> <span style="background-color: #cccccc;"> </span> <span style="background-color: #cccccc;"> </span></p>	<p>Mesh Green 185 x 120cm</p>  <p>120 cm</p> <p>123_230</p> <p><b>1x</b></p> <p>LOT: <span style="background-color: #cccccc;"> </span> <span style="background-color: #cccccc;"> </span> <span style="background-color: #cccccc;"> </span> <span style="background-color: #cccccc;"> </span></p>	<p>Hardware 10</p>  <p><b>H10</b></p> <p>194_810</p> <p><b>1x</b></p> <p>LOT: <span style="background-color: #cccccc;"> </span> <span style="background-color: #cccccc;"> </span> <span style="background-color: #cccccc;"> </span> <span style="background-color: #cccccc;"> </span></p>	<p>Canvas 136 x 74cm</p>  <p>73.5 cm</p> <p>123_220</p> <p><b>1x</b></p> <p>LOT: <span style="background-color: #cccccc;"> </span> <span style="background-color: #cccccc;"> </span> <span style="background-color: #cccccc;"> </span> <span style="background-color: #cccccc;"> </span></p>
<p>Slide XL 2.2m</p>  <p>324_x00</p> <p><b>1x</b></p> <p>LOT: <span style="background-color: #cccccc;"> </span> <span style="background-color: #cccccc;"> </span> <span style="background-color: #cccccc;"> </span> <span style="background-color: #cccccc;"> </span></p>	<p>Slide Frame</p>  <p><b>SL</b></p> <p>194_107</p> <p><b>1x</b></p> <p>LOT: <span style="background-color: #cccccc;"> </span> <span style="background-color: #cccccc;"> </span> <span style="background-color: #cccccc;"> </span> <span style="background-color: #cccccc;"> </span></p>	<p>Ramp</p>  <p><b>RA</b></p> <p>194_008</p> <p><b>1x</b></p> <p>LOT: <span style="background-color: #cccccc;"> </span> <span style="background-color: #cccccc;"> </span> <span style="background-color: #cccccc;"> </span> <span style="background-color: #cccccc;"> </span></p>	<p>Roof Timber 80 / Wall Panel</p>  <p><b>RF</b> <b>PH</b></p> <p>194_111</p> <p><b>1x</b></p> <p>LOT: <span style="background-color: #cccccc;"> </span> <span style="background-color: #cccccc;"> </span> <span style="background-color: #cccccc;"> </span> <span style="background-color: #cccccc;"> </span></p>	

**Overview of the contents of the standard included start package**  
**Übersicht über den Inhalt des standardmäßig enthaltenen Startpakets**  
**Aperçu du contenu du pack de démarrage inclus standard**



**Overview of the bit and drill bit references**  
**Übersicht über die Bit- und Bohrer-Referenzen**  
**Aperçu des références des embouts et des forêts**



**Overview of all hardware and part references for identification**  
**Übersicht über alle Hardware- und Teile-Referenzen zur Identifizierung**  
**Aperçu de toutes les références de matériel et de pièces pour identification**

		#	L			#	L	
<p>ø 5 T-40</p>	<p>8.8</p>	<p>ø 8.0 mm L</p>	001_404	30 mm	<p>ø 5.0 mm L</p>	002_308	20 mm	
			001_406	45 mm		002_219	30 mm	
			001_411	60 mm		002_220	45 mm	
			001_417	80 mm		002_223	80 mm	
			001_422	137 mm				
<p>ø 10 T-40</p>	<p>8.8</p>	<p>M8 L</p>	001_102	30 mm	<p>ø 10 L</p>	<p>M8</p>	004_050	22mm
<p>ø 2.0 mm L</p>	<p>ø 2.0 mm</p>	<p>ø 2.0 mm L</p>	000_101	20 mm	<p>M8</p>	<p>ø 2.0 mm</p>	003_010	
<p>ø 3.5 T-25</p>	<p>8.8</p>	<p>ø 6.3 mm L</p>	002_036	16 mm	<p>M6</p>	<p>ø 6.3 mm</p>	003_034	
<p>ø 3.5 PH-2</p>	<p>8.8</p>	<p>ø 4.5 mm L</p>	002_041	20 mm	<p>ø 4.5 mm</p>	<p>ø 4.5 mm</p>	022_845	Yellow
<p>ø 3.5 PH-2</p>	<p>8.8</p>	<p>ø 4.5 mm L</p>	002_041	20 mm	<p>ø 4.5 mm</p>	<p>ø 4.5 mm</p>	022_846	Blue
<p>ø 3.5 PH-2</p>	<p>8.8</p>	<p>ø 4.5 mm L</p>	002_041	20 mm	<p>ø 4.5 mm</p>	<p>ø 4.5 mm</p>	022_847	Green
<p>ø 3.5 PH-2</p>	<p>8.8</p>	<p>ø 4.5 mm L</p>	002_041	20 mm	<p>ø 4.5 mm</p>	<p>ø 4.5 mm</p>	022_848	Red
<p>ø 3.5 PH-2</p>	<p>8.8</p>	<p>ø 3.5 mm L</p>	002_042	13 mm	<p>ø 3.5 mm</p>	<p>ø 3.5 mm</p>	023_031	White
<p>ø 3.9 mm PH-2</p>	<p>8.8</p>	<p>ø 3.9 mm L</p>	002_301	40 mm	<p>ø 3.9 mm</p>	<p>ø 3.9 mm</p>	120_005	White
<p>ø 5.0 mm</p>	<p>ø 5.0 mm</p>	<p>ø 5.0 mm</p>			<p>ø 5.0 mm</p>	<p>ø 5.0 mm</p>	022_844	
<p>ø 5.0 mm</p>	<p>ø 5.0 mm</p>	<p>ø 5.0 mm</p>			<p>ø 5.0 mm</p>	<p>ø 5.0 mm</p>	022_314	



# Complete climbing frame identification and registration

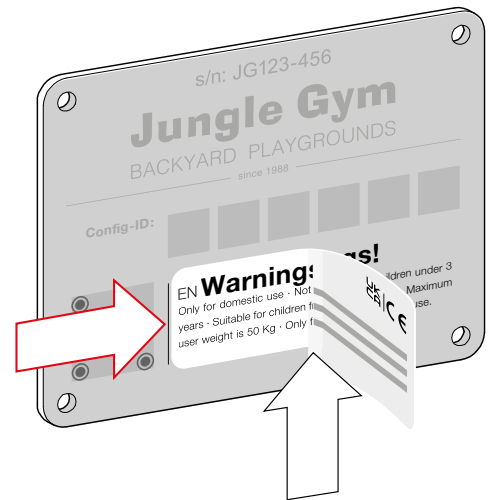
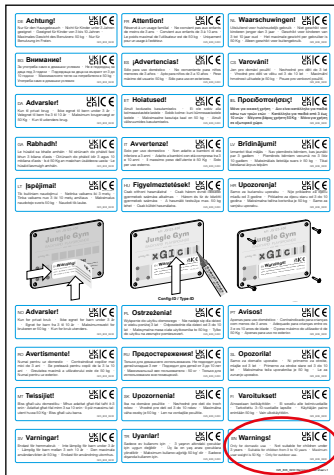
## Identifizierung und Registrierung des kompletten Klettergerüsts

### Identification et enregistrement de la structure d'escalade complète

Your design code  
Ihr Designcode  
Votre code de design



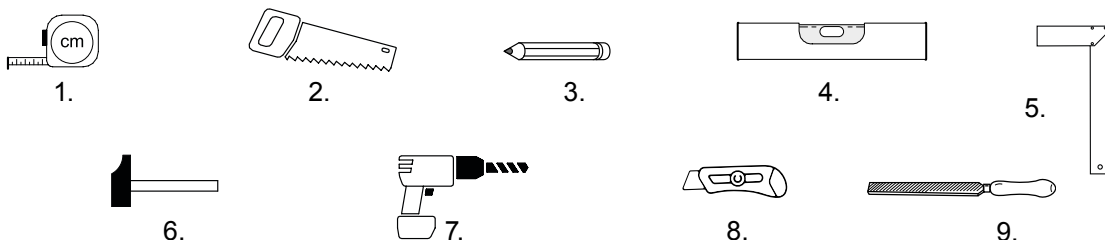
Complete climbing frame identification  
Identifizierung des kompletten Klettergerüsts  
Identification de la structure d'escalade complète



## Required tools and materials

### Benötigtes Werkzeug und Materialien

### Outils et matériaux nécessaires

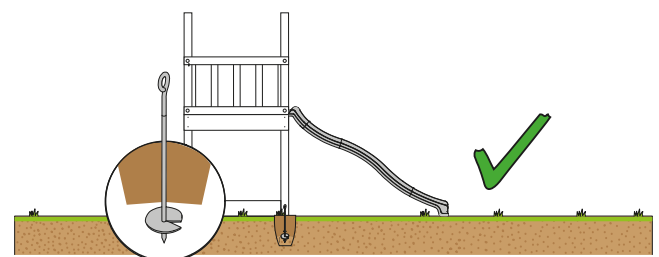
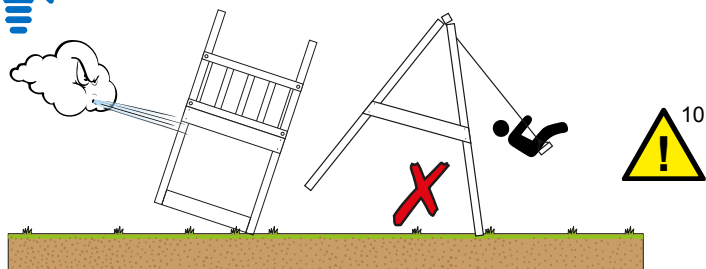
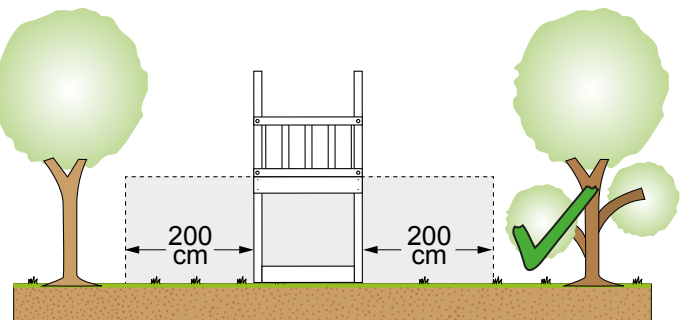
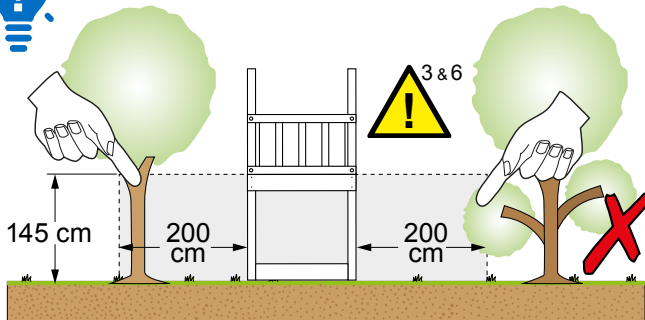
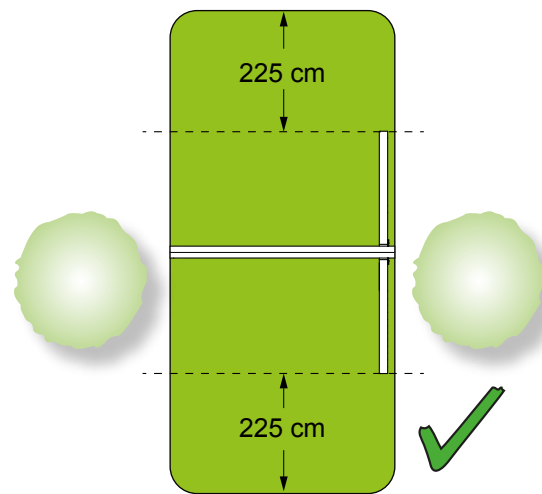
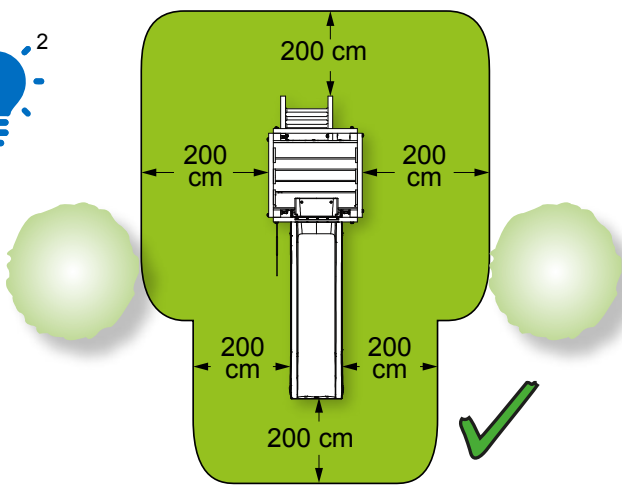
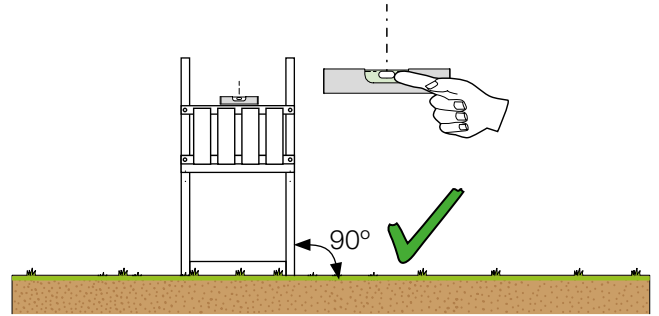
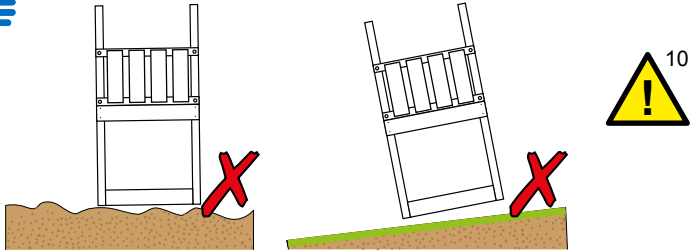


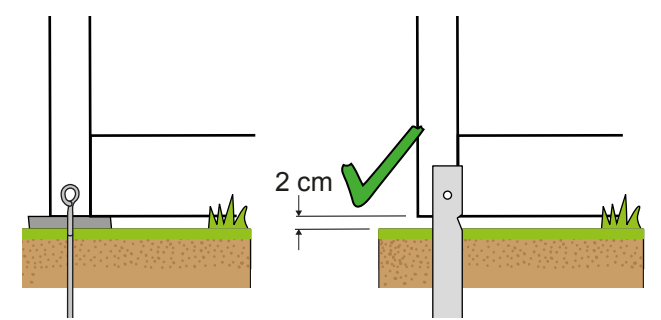
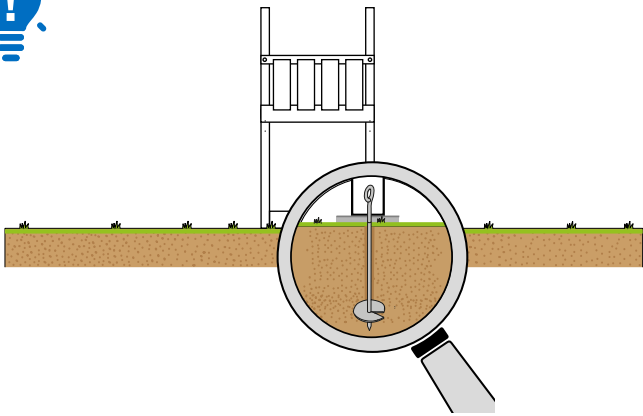
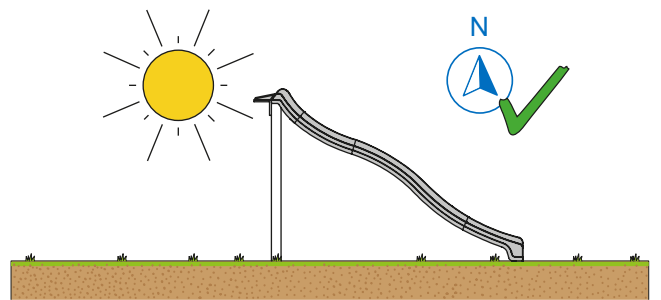
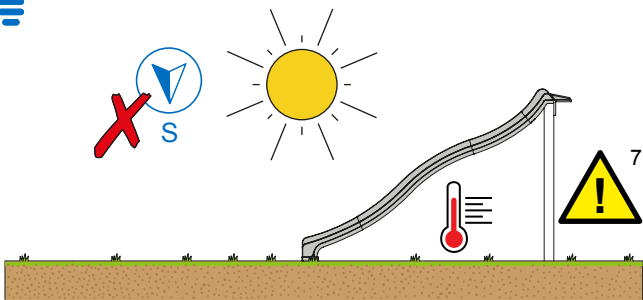
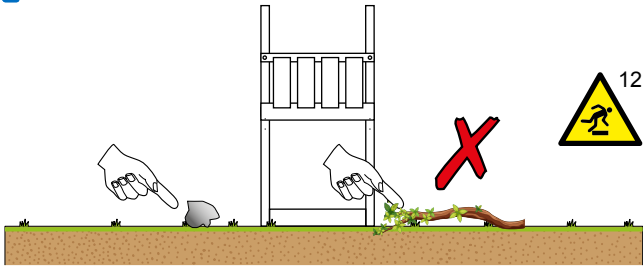


# Installation and safety notices

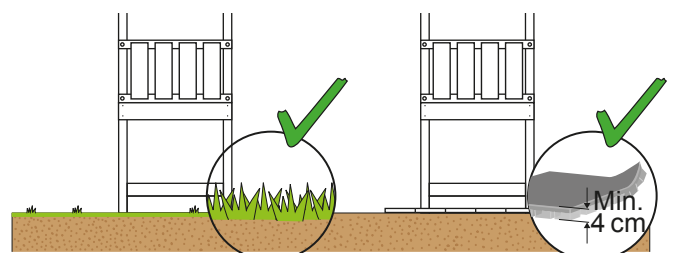
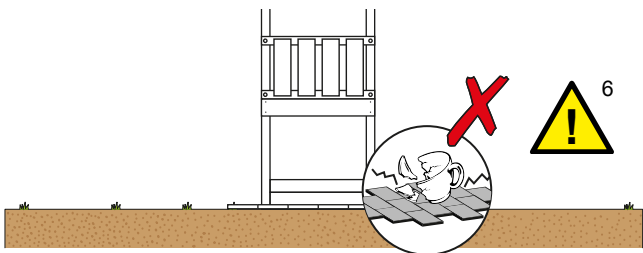
## Installationsplanung und Sicherheitshinweise

### Planification de l'installation et avis de sécurité





### Shock absorbing surfaces Stoßdämpfende Oberflächen Surfaces d'absorption des chocs

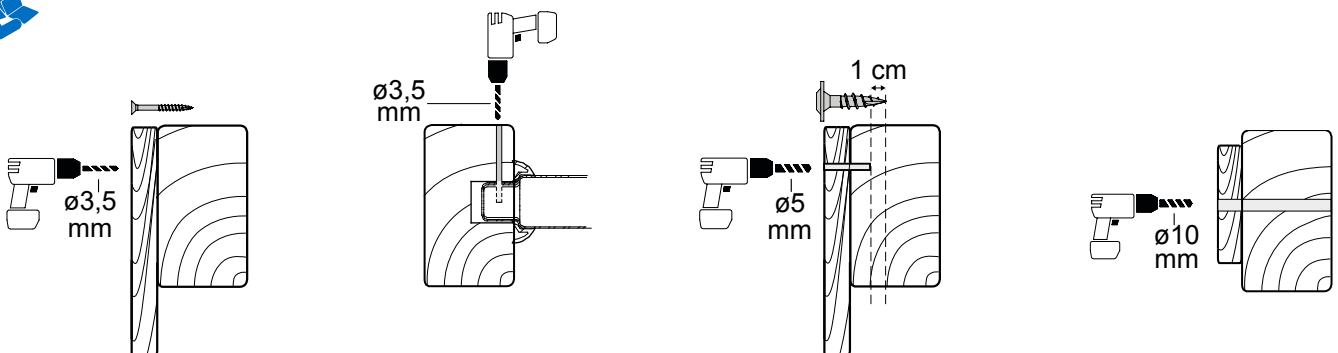
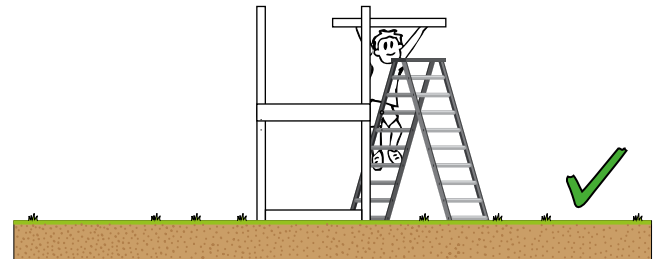
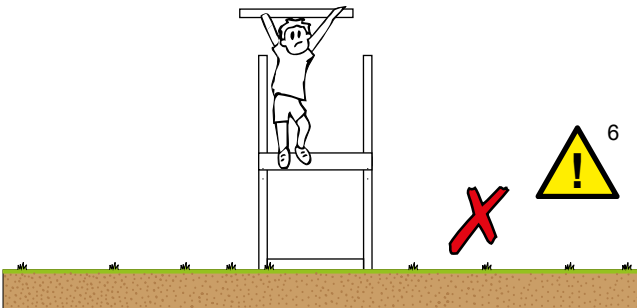
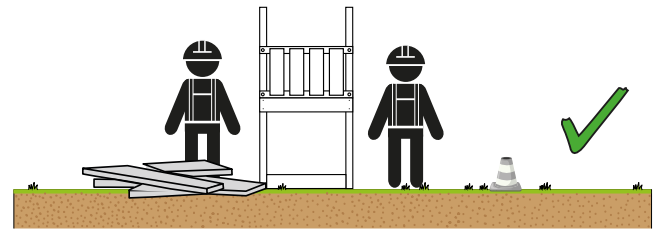
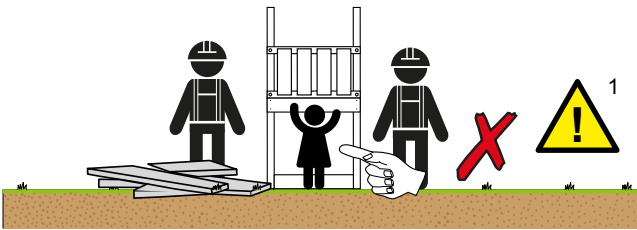
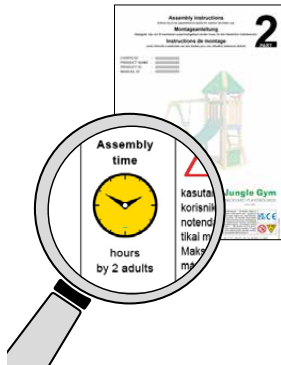


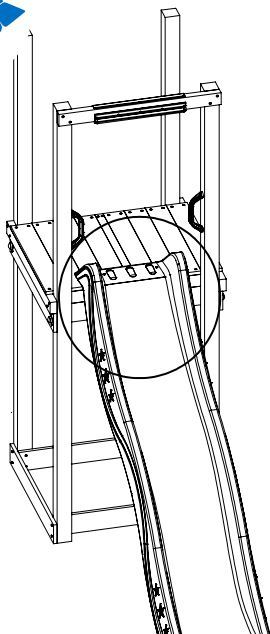
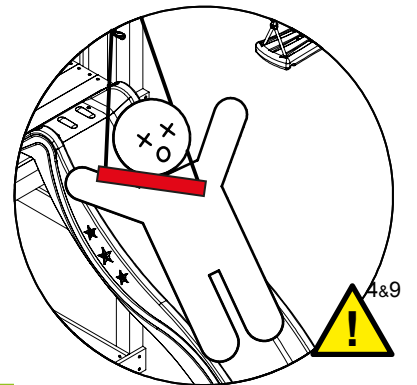
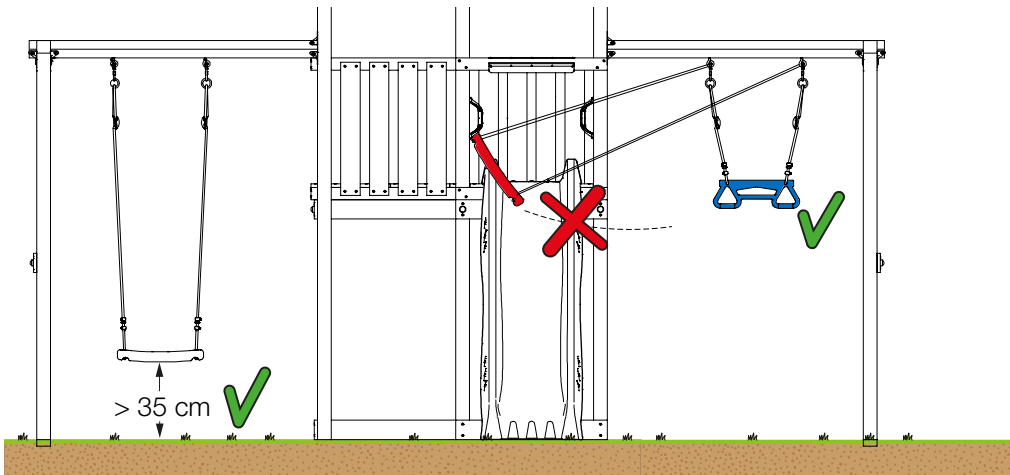
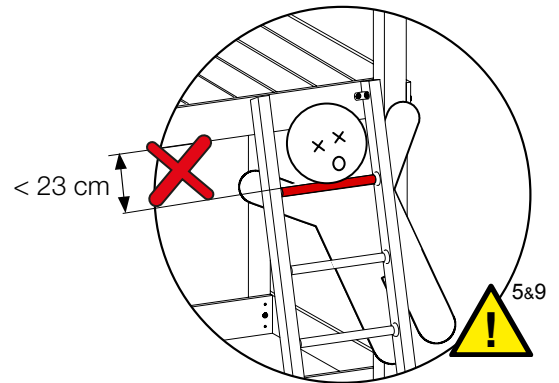
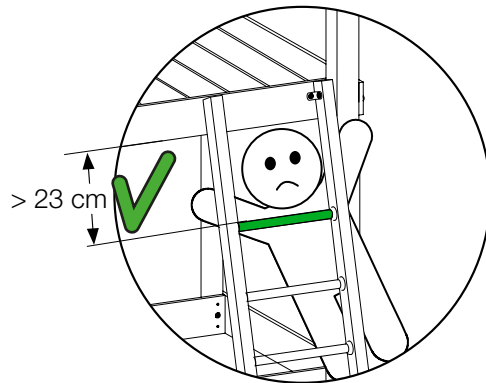
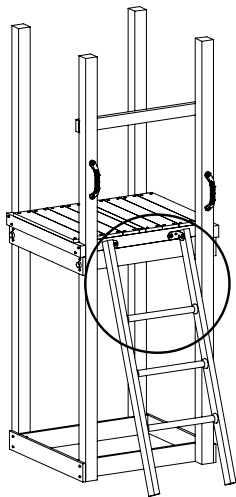


# Assembly instructions and safety notices

## Montageanweisungen und Sicherheitswarnungen

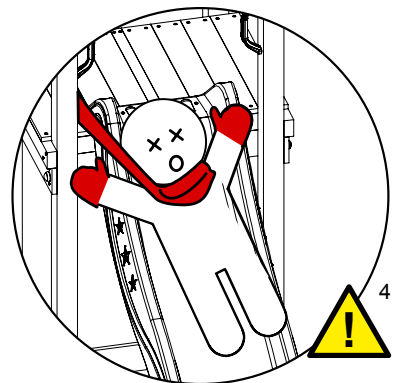
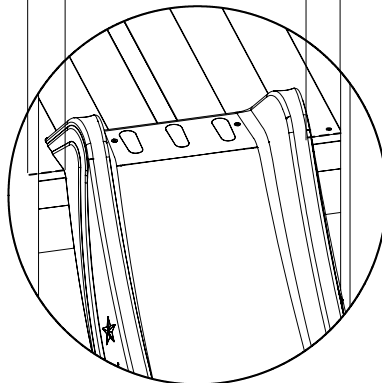
### Instructions de montage et avis de sécurité

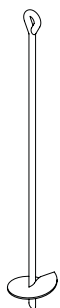
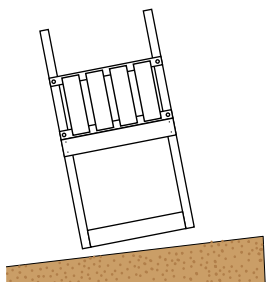
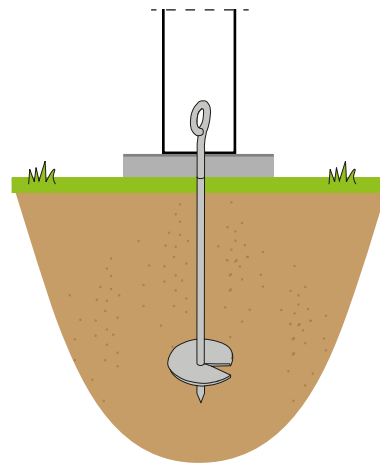
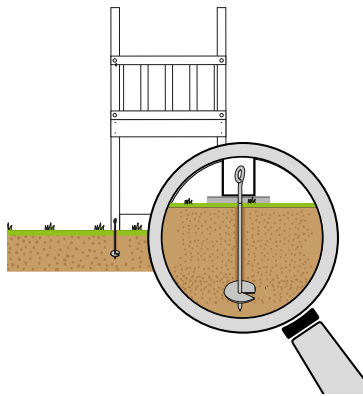
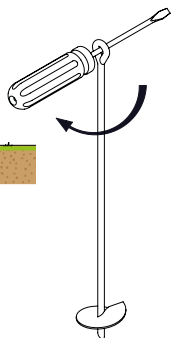
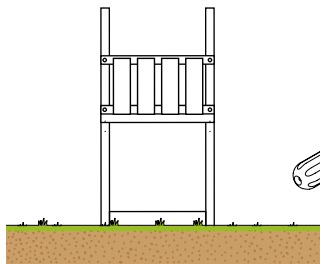
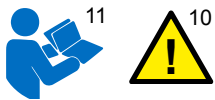




✓ min. 26 mm  
max. 75 mm

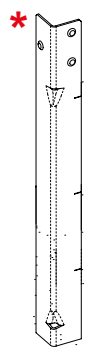
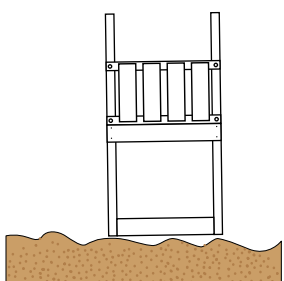
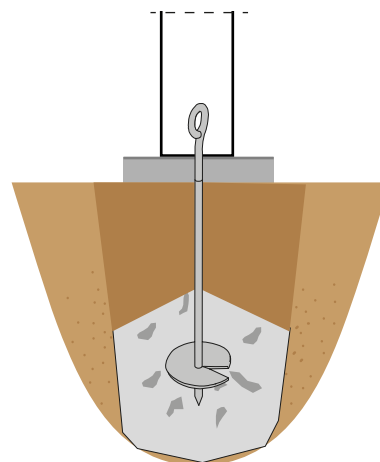
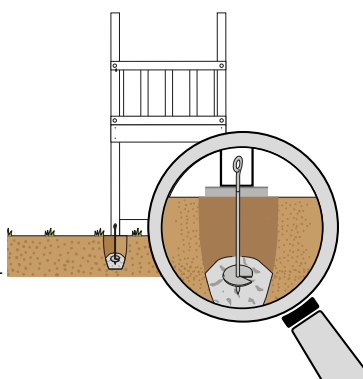
✓ min. 26 mm  
max. 75 mm





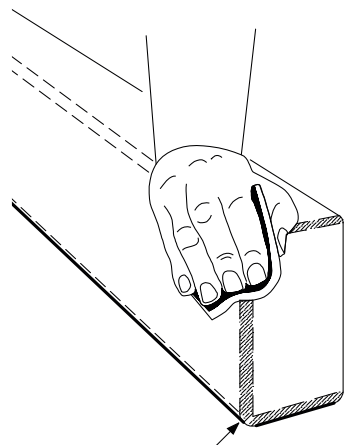
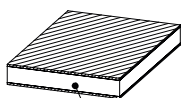
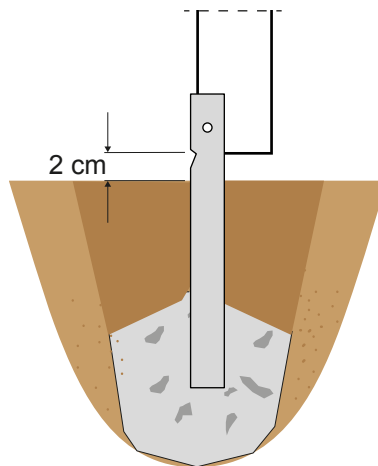
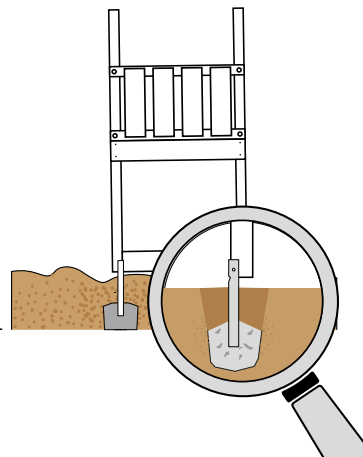
25kg / 13L

\* = extra

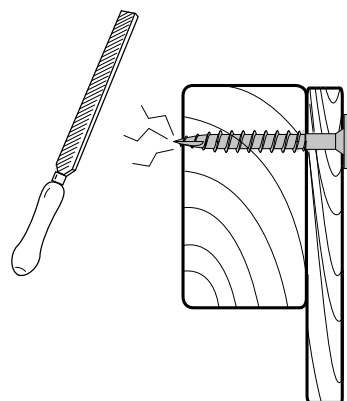


25kg / 13L

\* = extra



Radius 3 mm

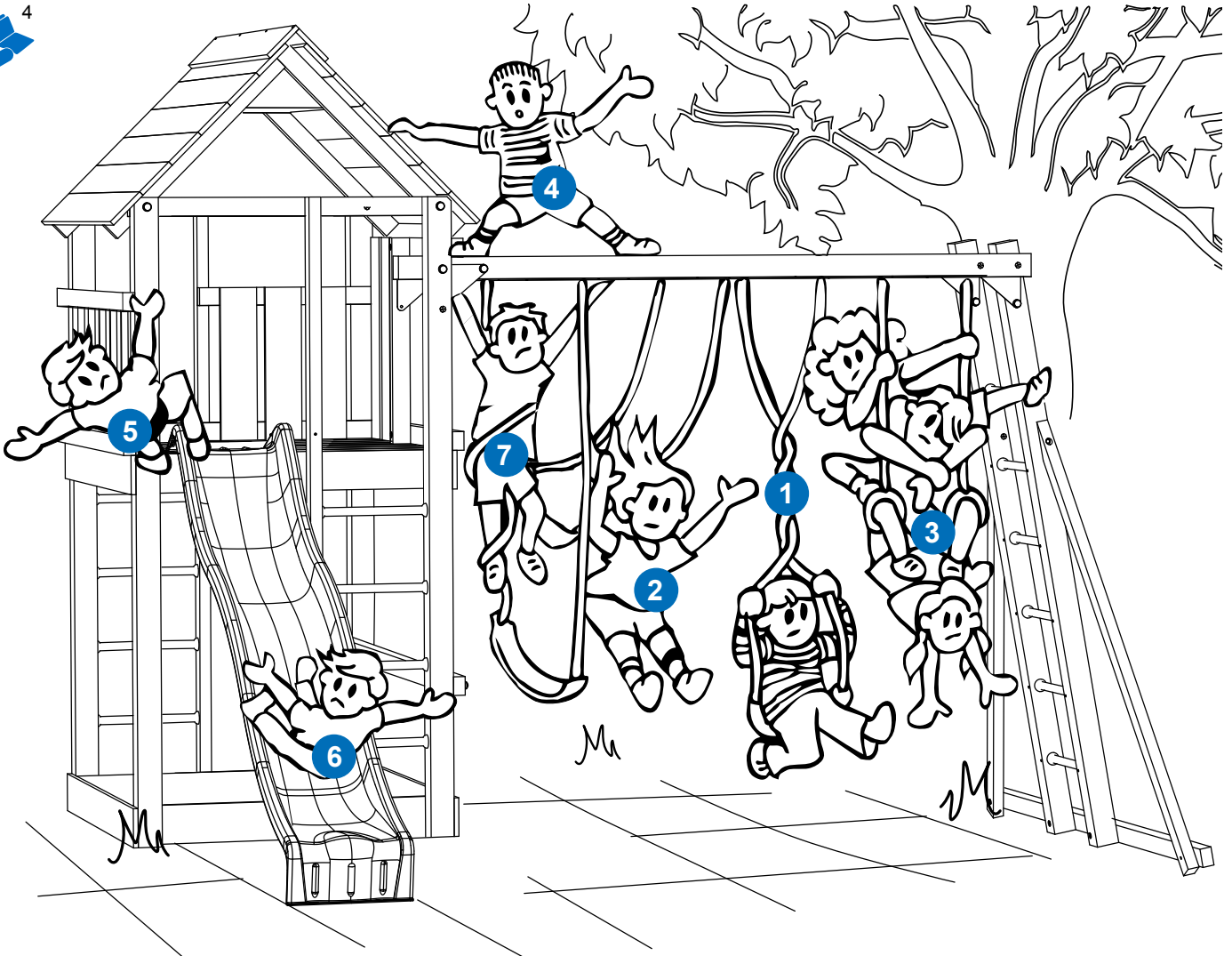
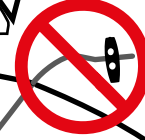


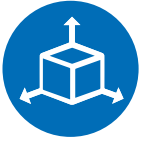


# Safe play instructions and safety notices

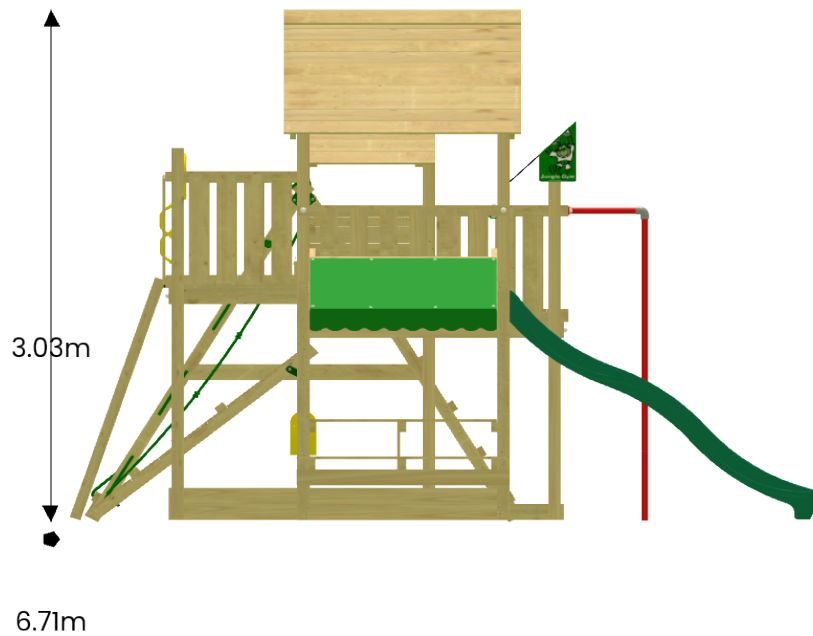
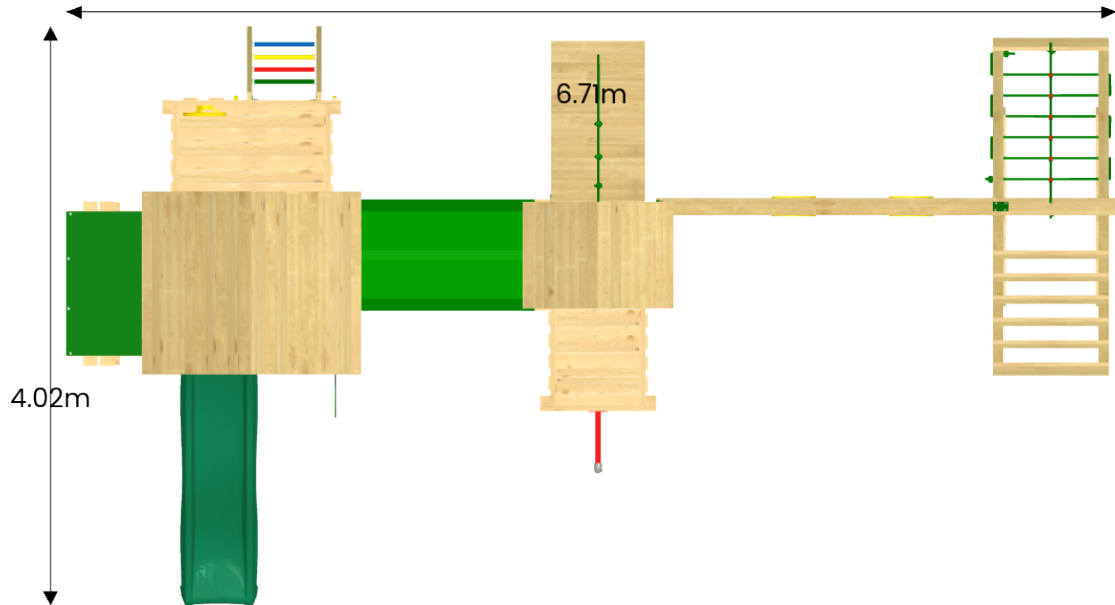
## Sichere Spielanweisungen und Sicherheitswarnungen

### Consignes de jeu sécurisé et avis de sécurité



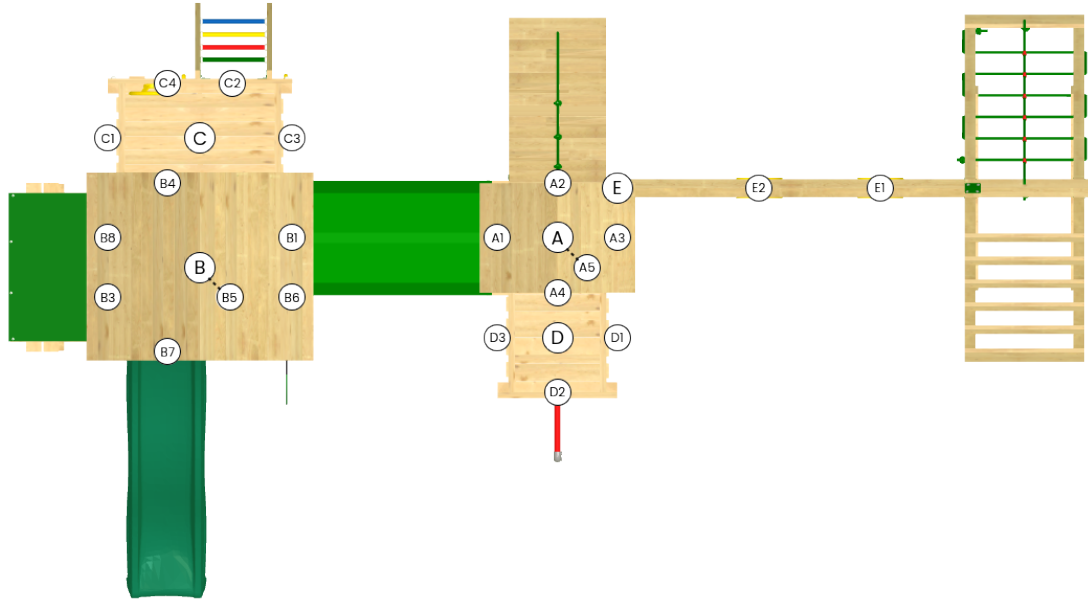


# Dimensions Abmessungen Dimensions





# Assembly sequence Montager Reihenfolge Séquence d'assemblage



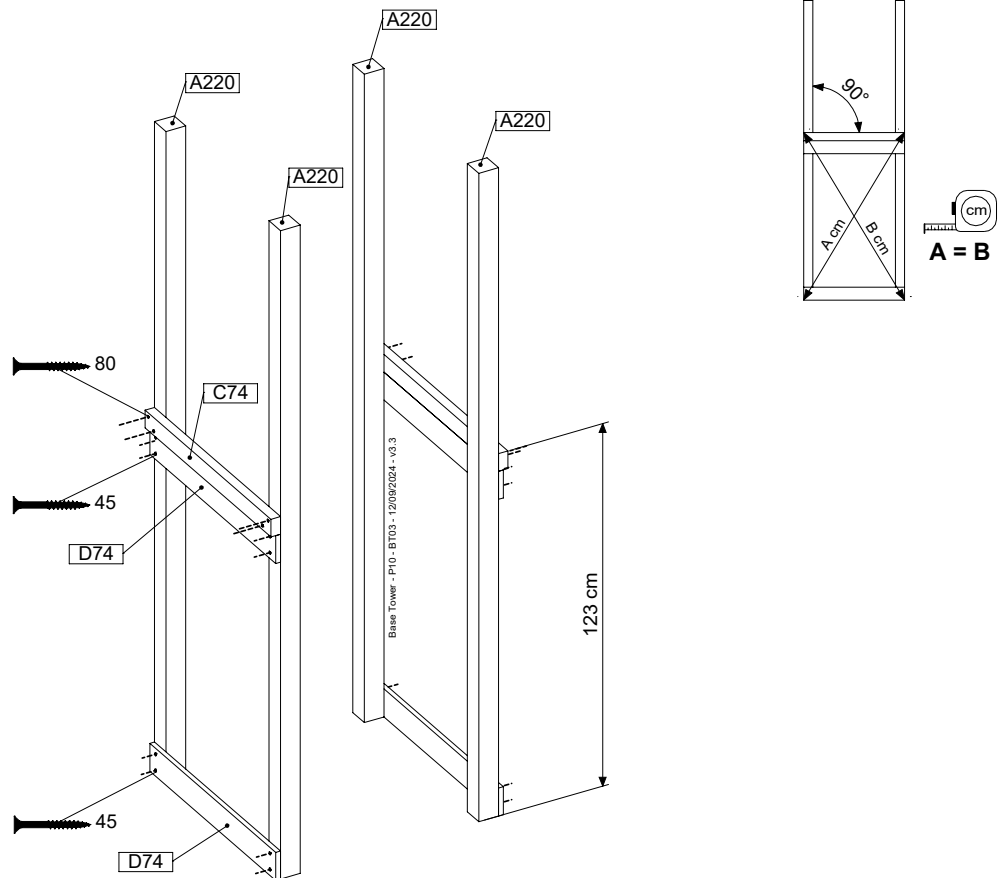
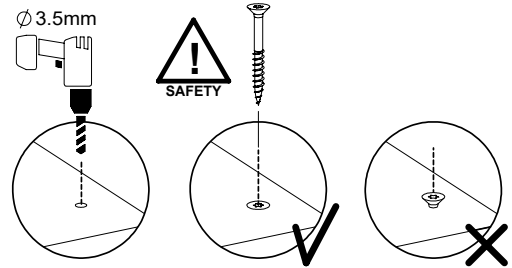
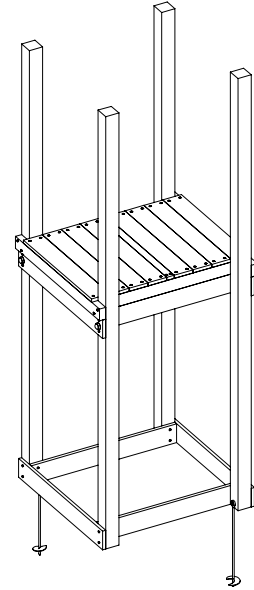
	ID			A	B	C	D	E
1	BT03a		p.17	✓	-	-	-	-
2	BT11a		p.19	-	✓	-	-	-
3	ET01a		p.22	-	-	-	✓	-
4	ET11a		p.24	-	-	✓	-	-
5	BL01a		p.27	-	-	C1, C3	D1, D3	-
6	BL04a		p.28	-	B8	-	-	-
7	RF21a		p.29	A5	-	-	-	-
8	RF08a		p.32	-	B5	-	-	-
9	BF08a		p.35	-	B6	-	-	-
10	PH06a		p.37	A3	-	-	-	-
11	TB02a		p.38	A1	B1	-	-	-
12	LA17a		p.43	-	-	C2	-	-
13	RA03a		p.46	A2	-	-	-	-
14	PC06a		p.50	-	B3	-	-	-
15	CL06a		p.54	-	-	-	-	✓
16	SL06a		p.66	-	B7	-	-	-
17	FP02a		p.70	-	-	-	D2	-
18	GA		p.71	✓	✓	✓	✓	✓

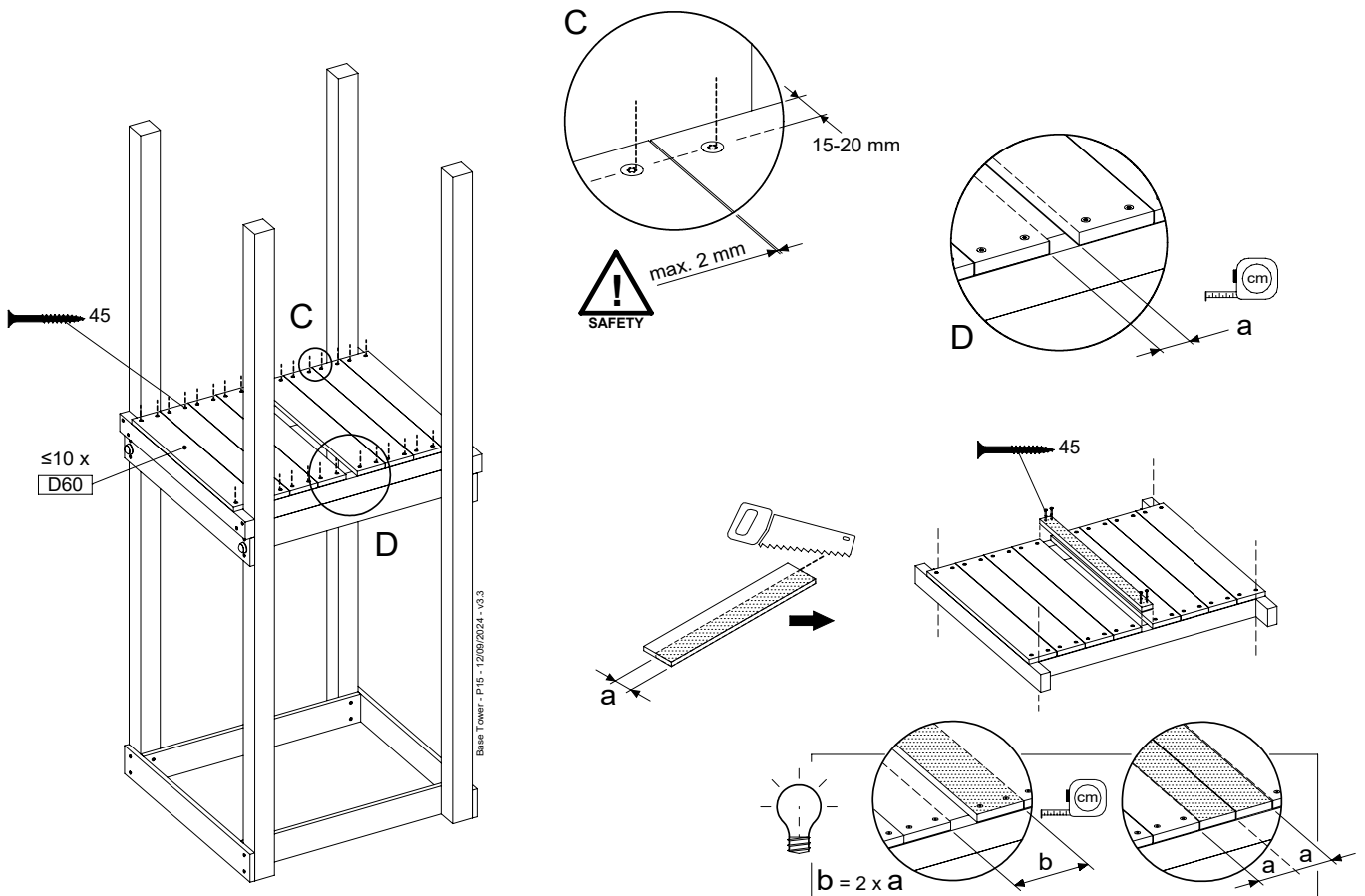
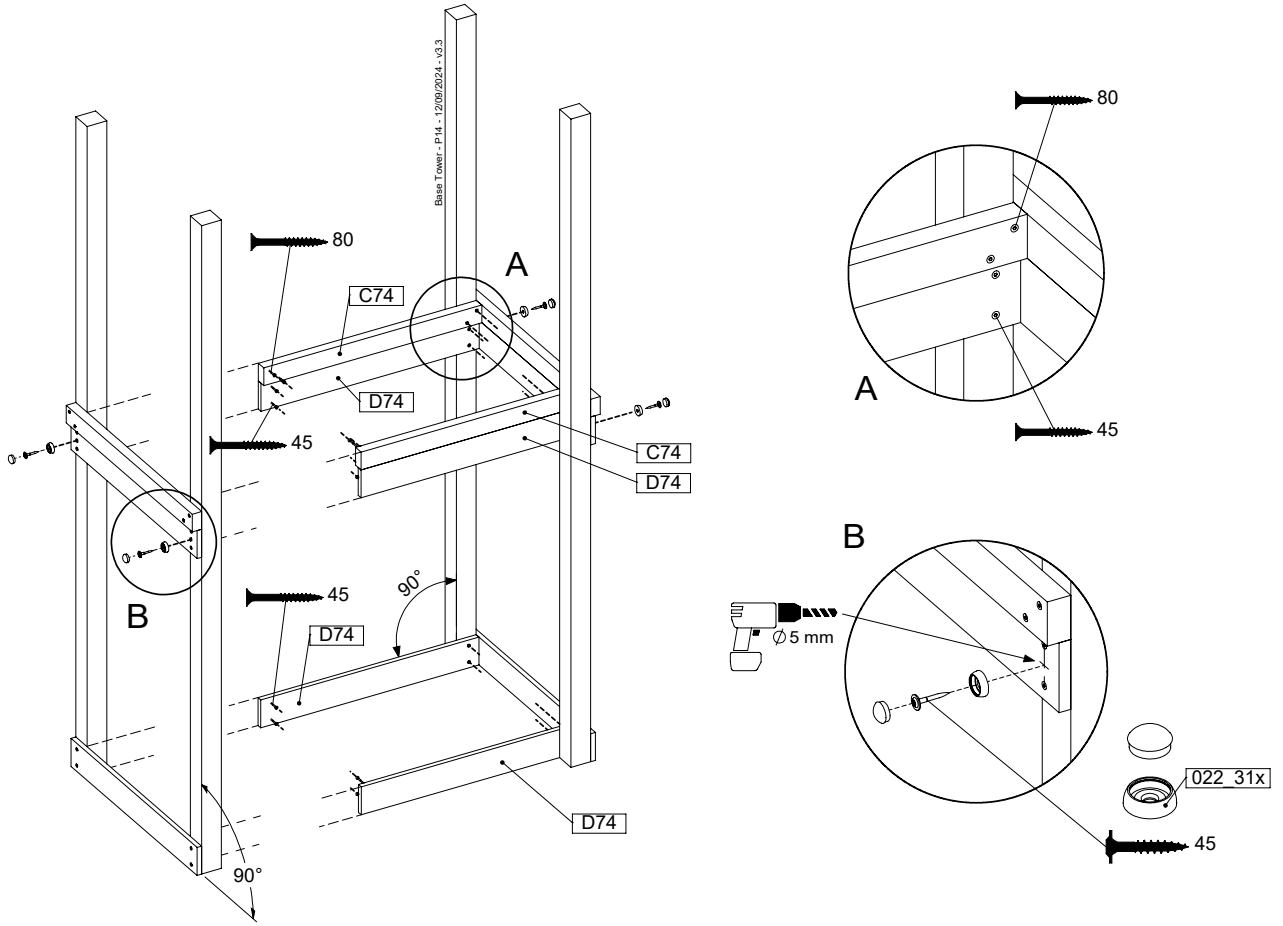
# 1 BT03a: Base Tower 80 125cm 220220

Assembly Pack: 194\_100

	PartNo	PartName	QTY.
Hardware + Parts	001_406	Stealth Screw 8x45	6
	002_220	Gap Point Screw T25 - 5x45	72
	002_223	Gap Point Screw T25 - 5x80	16
	007_001	Ground-anchor	2
	022_31x	bpc-base version 3	4
	022_84x	bpc cover	4
Timber	A220	Post ca.70x70 L2200	4
	C74	Beam 740 mm	4
	D60	Board 600 mm	10
	D74	Board 740 mm	8

Base Tower - P10 - BT03 - 12082024 - v3.3



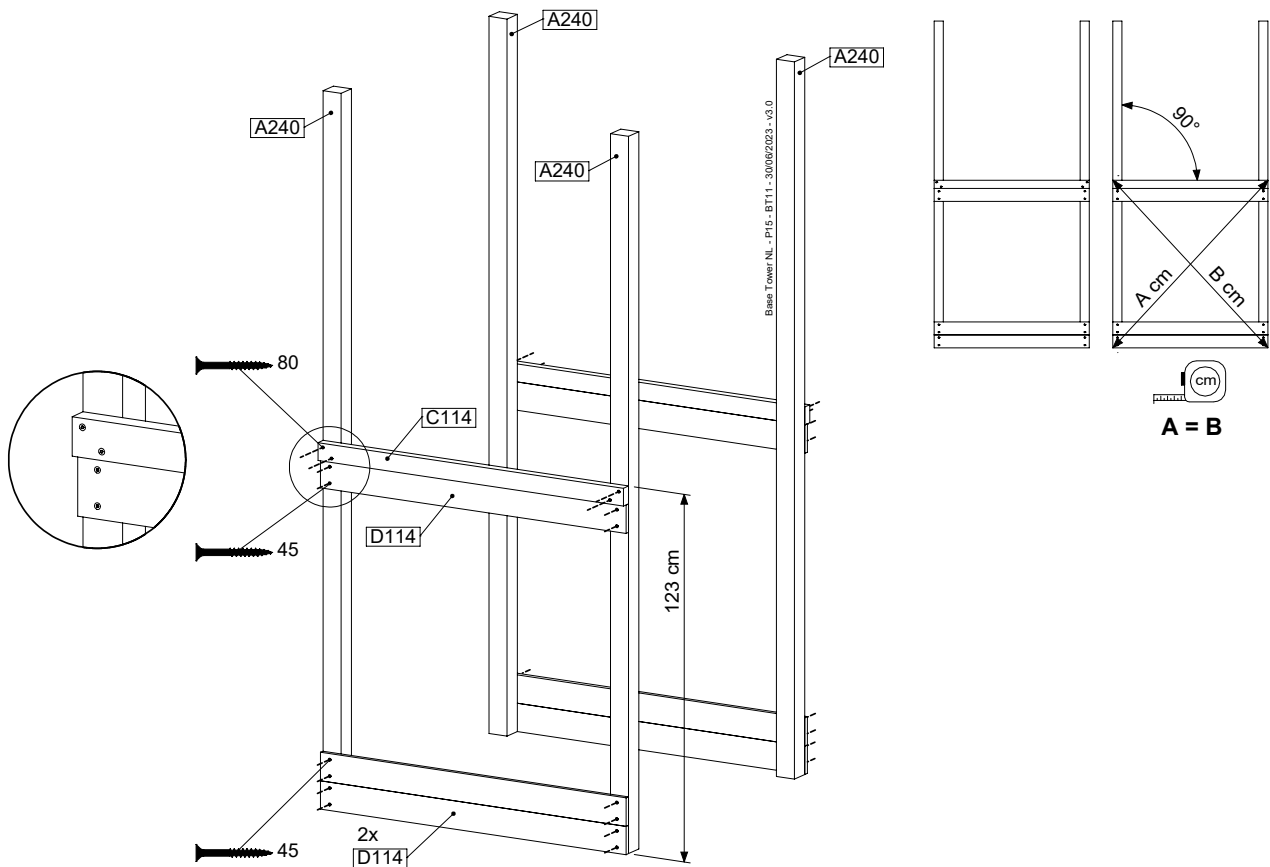
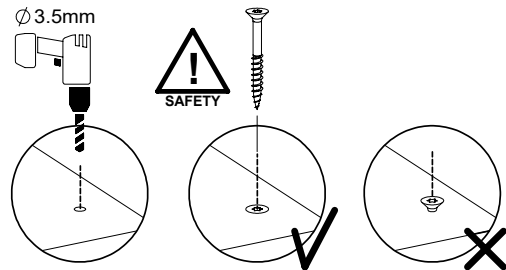
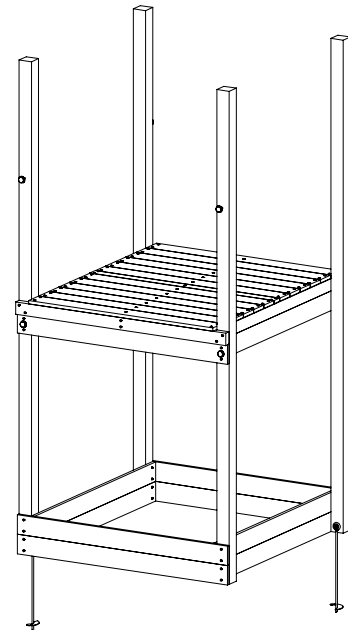


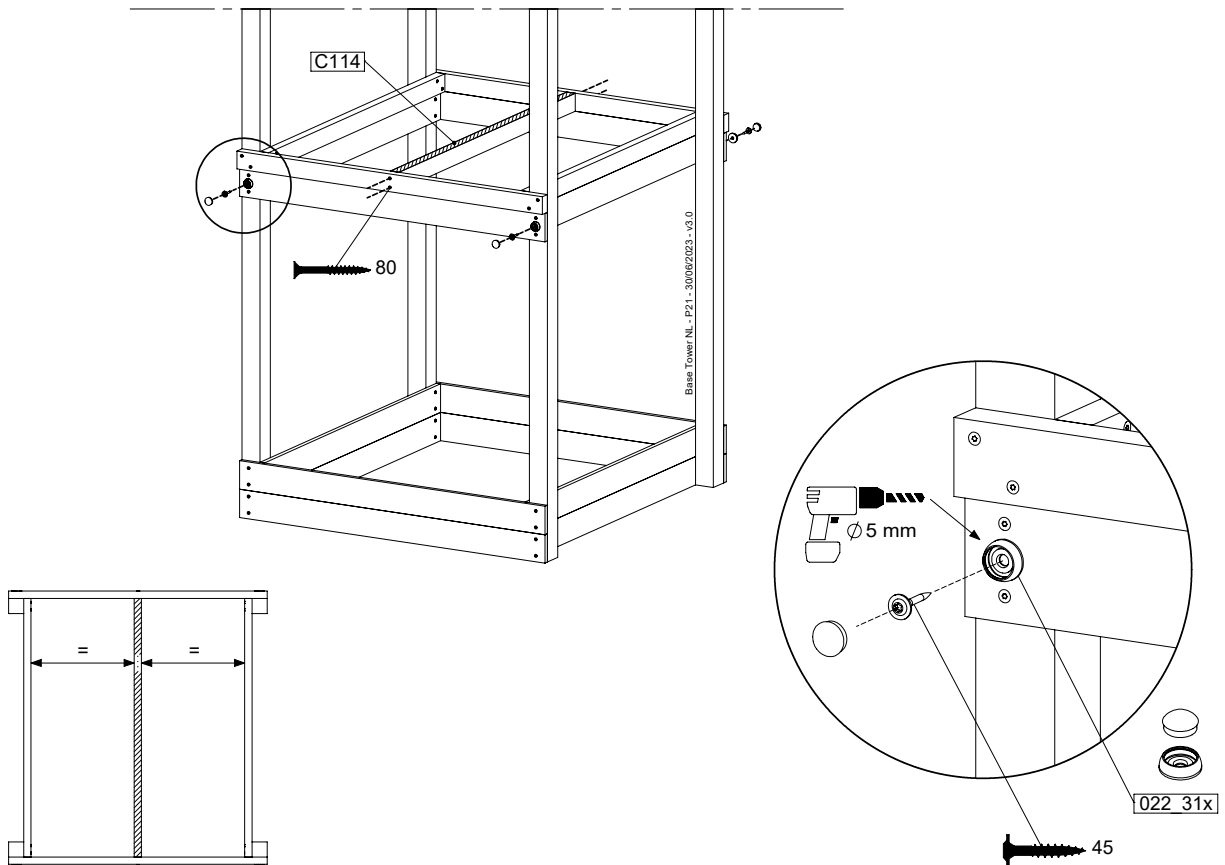
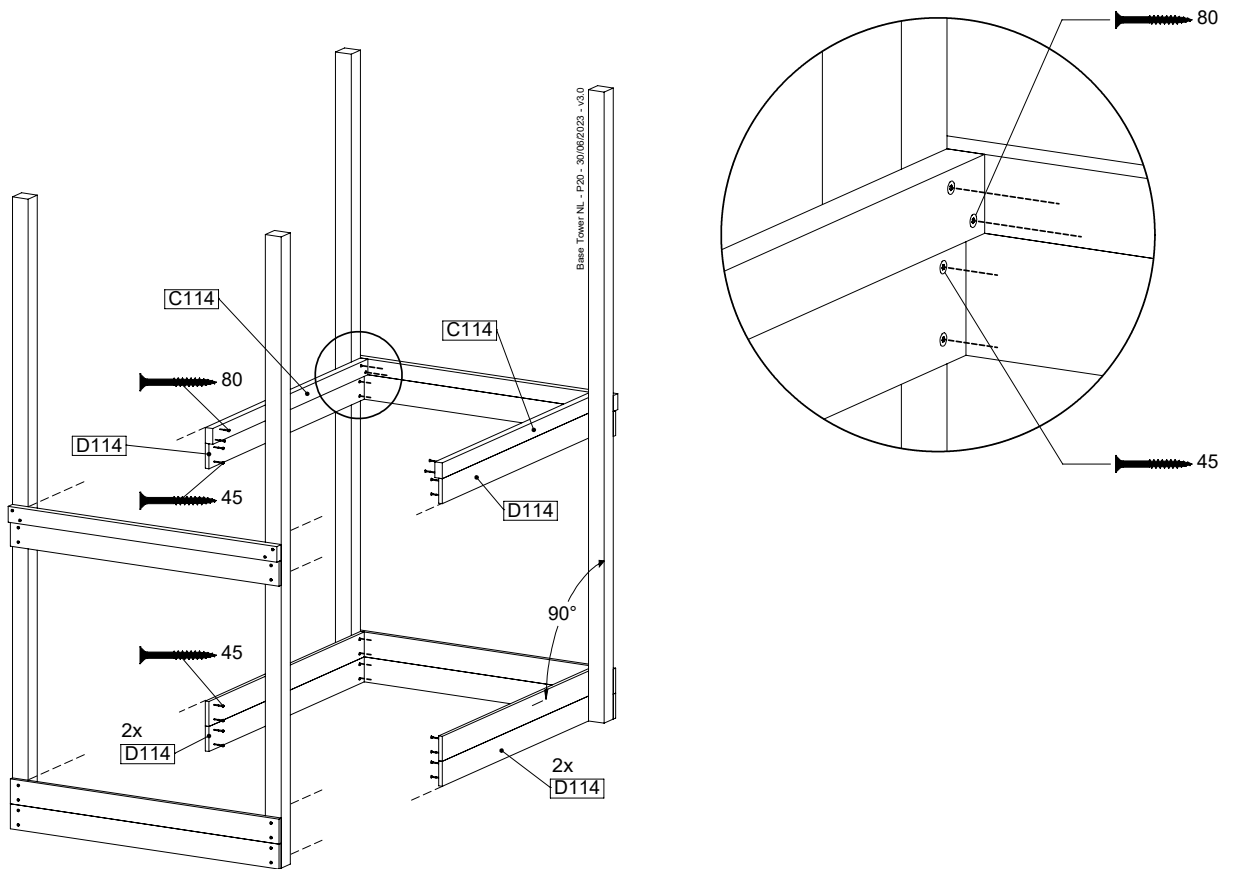
## 2 BT11a: Base Tower 115 125cm 240240

( 194\_300 )

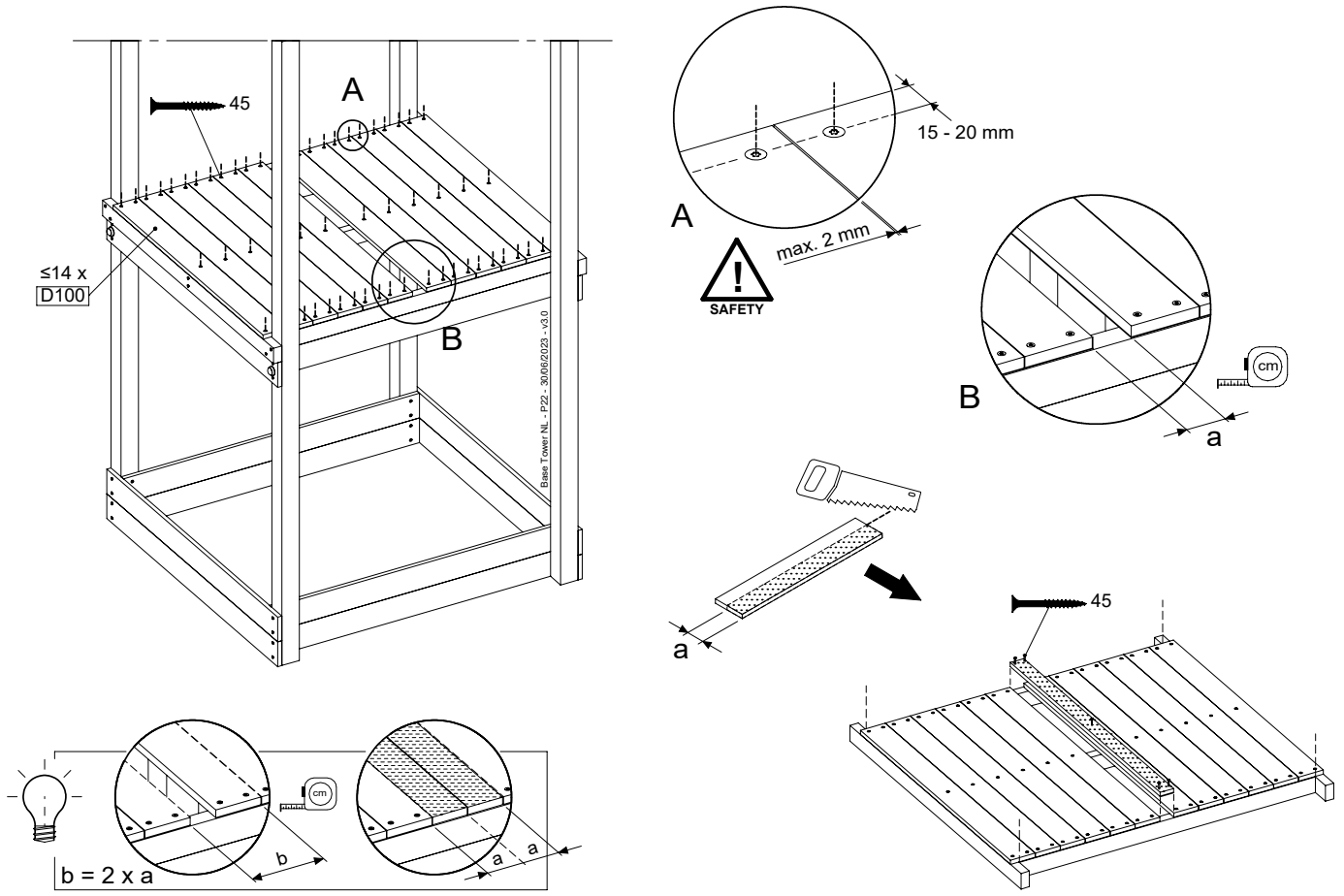
	PartNo	PartName	QTY.
Hardware pack	001_406	Stealth Screw 8x45	6
	001_417	Stealth Screw 8x80	4
	002_220	Gap Point Screw T25 - 5x45	118
	002_223	Gap Point Screw T25 - 5x80	20
	022_31x	bpc-base version 3	8
	022_84x	bpc cover	8
Other	007_001	Ground-anchor	2
Timber	A240	Post 70x70 L2400	4
	C114	Beam 1140 mm	5
	D100	Board 1000 mm	14
	D114	Board 1140 mm	12

Base Tower NL - P15 - BT11 - 300062023 - v3.0





## 2.2

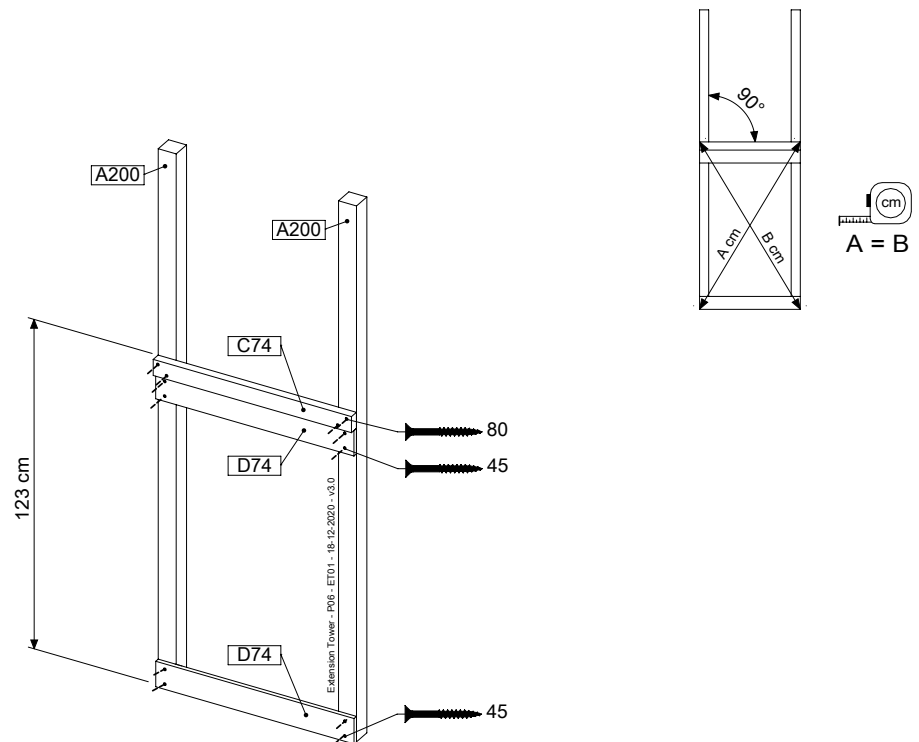
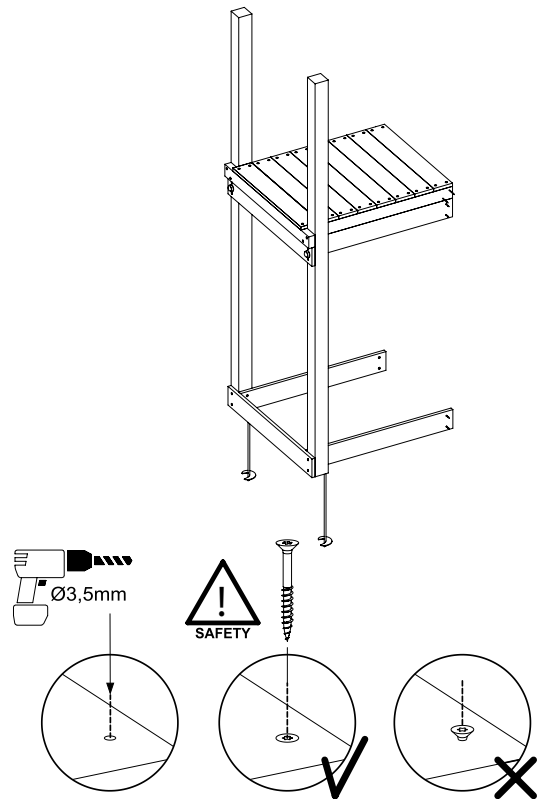


### 3 ET01a: Extension Tower 80 200/125

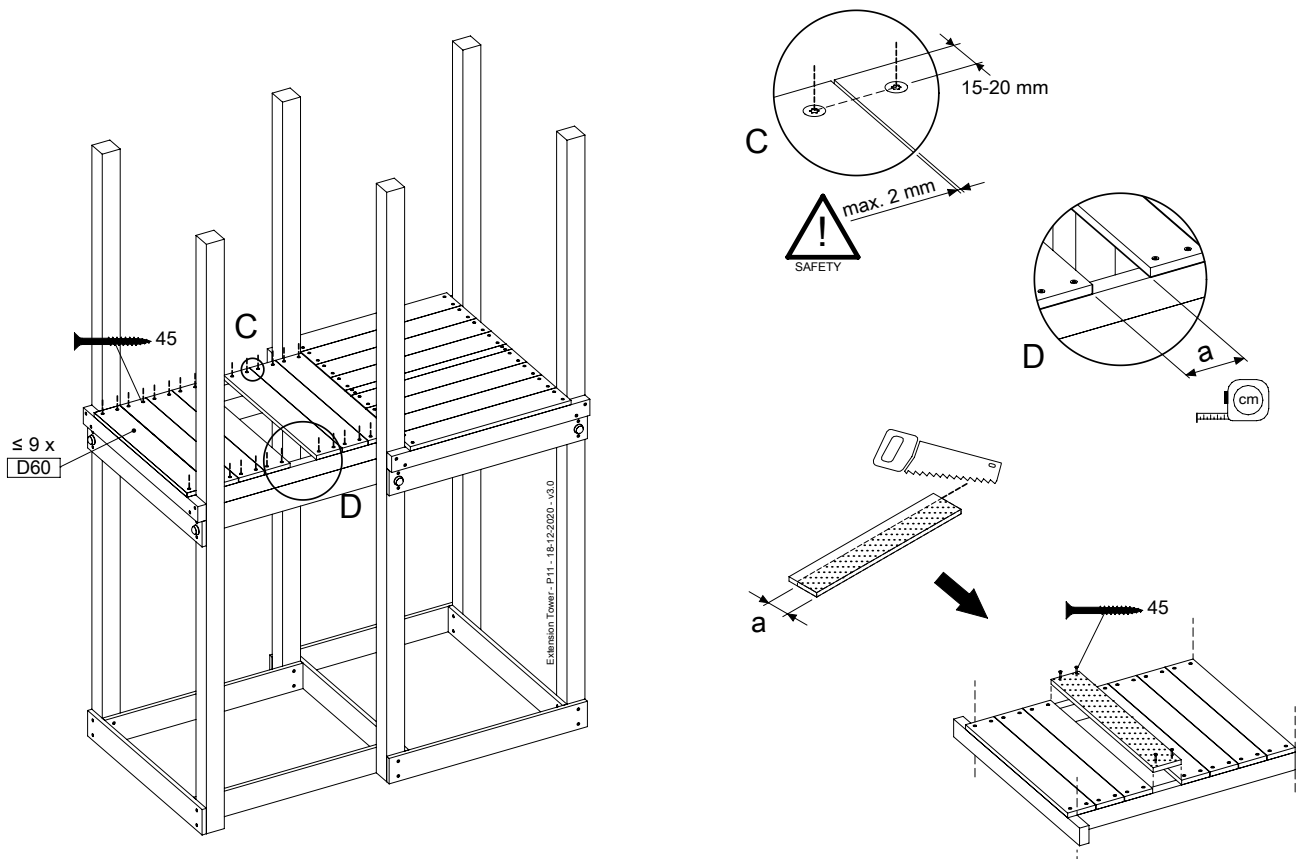
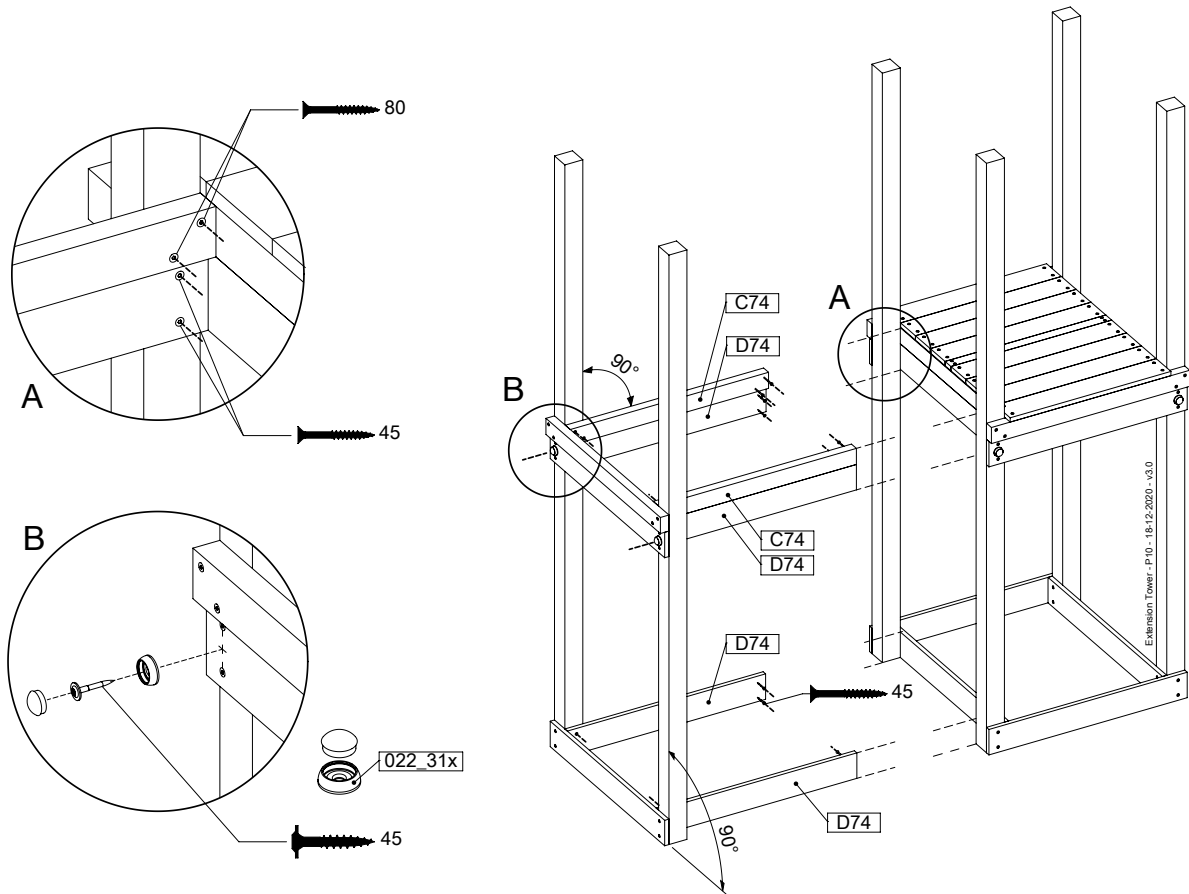
( 194\_100 )

	PartNo	PartName	QTY.
Hardware Pack 100_600	001_406	Stealth Screw 8x45	4
	002_220	Gap Point Screw T25 - 5x45	60
	002_223	Gap Point Screw T25 - 5x80	12
Other	007_001	Ground-anchor	2
Hardware Pack 100_600	022_31x	bpc-base version 3	2
	022_84x	bpc cover	2
Wood	A200	Post 70x70 L2000	2
	C74	Beam 740 mm	3
	D60	Board 600 mm	9
	D74	Board 740 mm	6

Extension Tower - P06 - ET01 - 18-12-2020 - v3.0



### 3.1

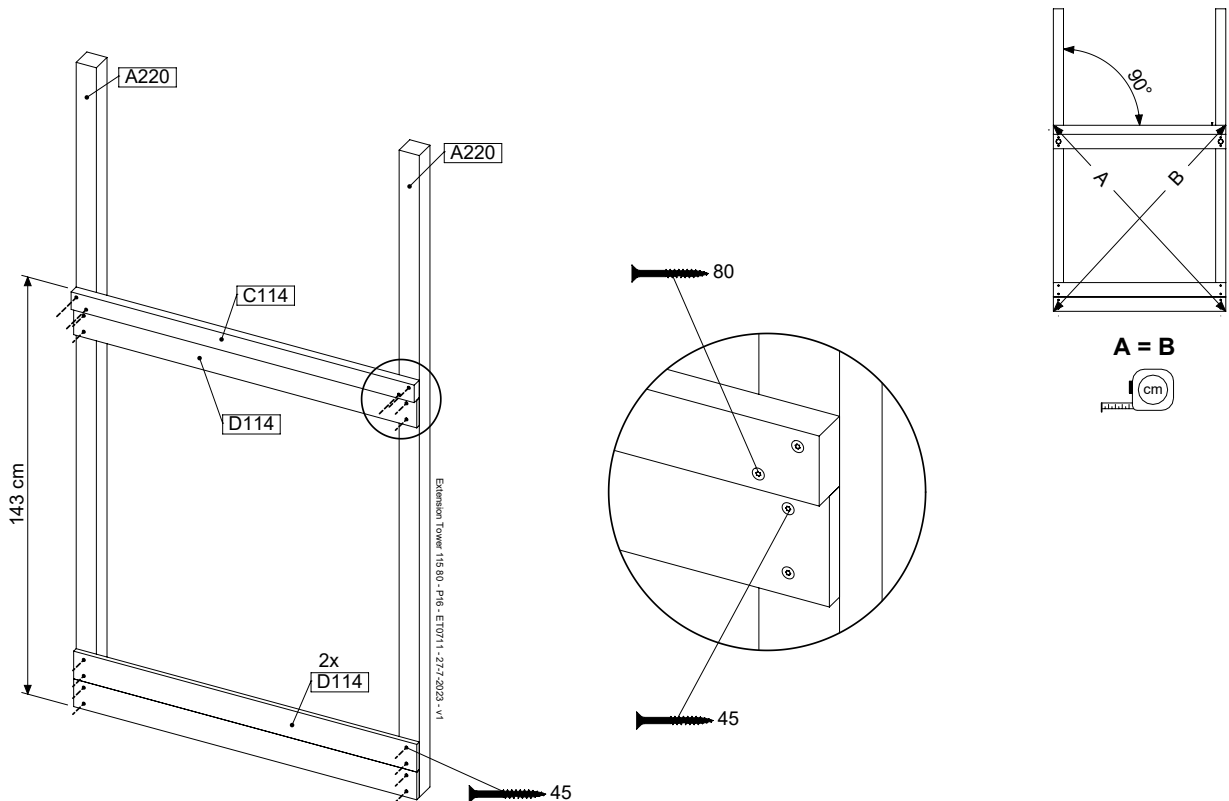
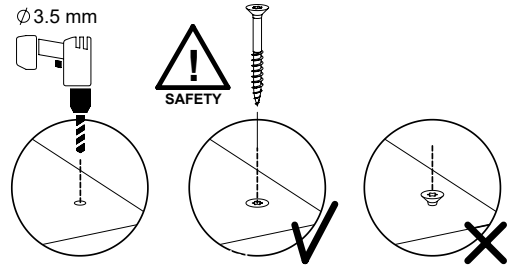
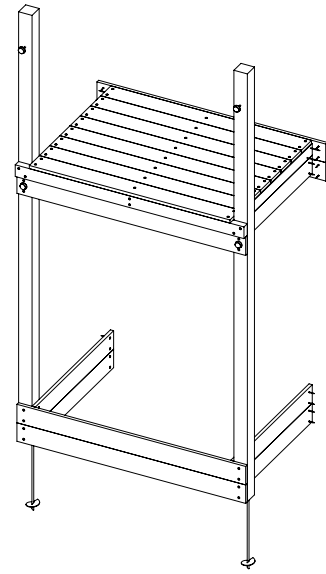


# 4 ET11a: Extension Tower 11580 220/145

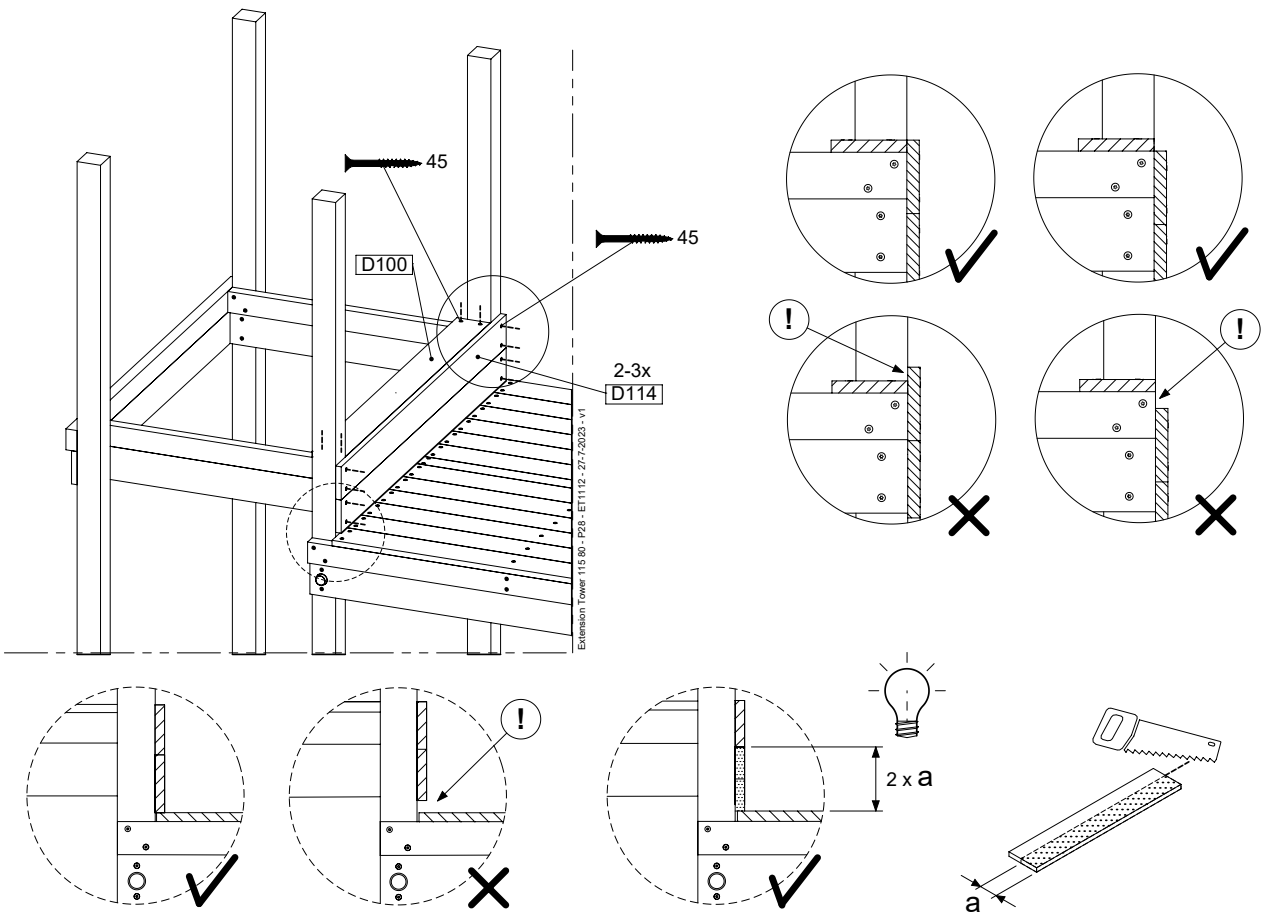
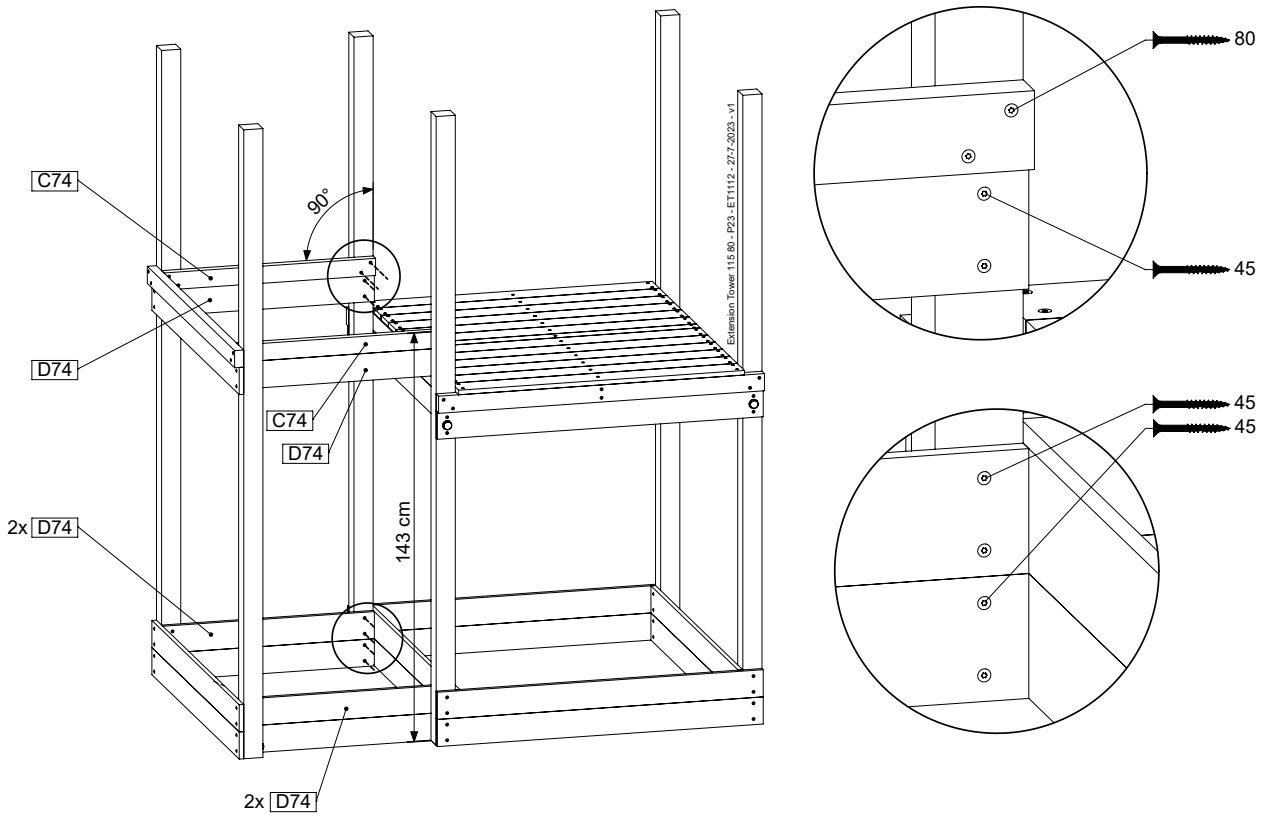
( 194\_300 )

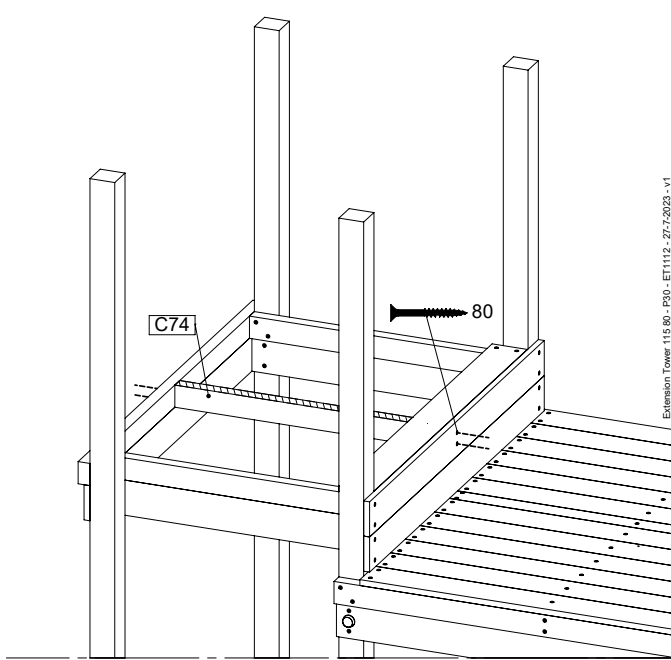
	PartNo	PartName	QTY.
Hardware pack	001_406	Stealth Screw 8x45	4
	001_417	Stealth Screw 8x80	2
	002_220	Gap Point Screw T25 - 5x45	93
	002_223	Gap Point Screw T25 - 5x80	16
Other	007_001	Ground-anchor	2
	022_31x	bpc-base version 3	4
	022_84x	bpc cover	4
Timber	A220	Post 70x70 L2200	2
	C74	Beam 740 mm	3
	C114	Beam 1140 mm	1
	D74	Board 740 mm	6
	D100	Board 1000 mm	9
	D114	Board 1140 mm	6

Extension Tower 115 80 - P08 - ET11 - 27-7-2023 - v1

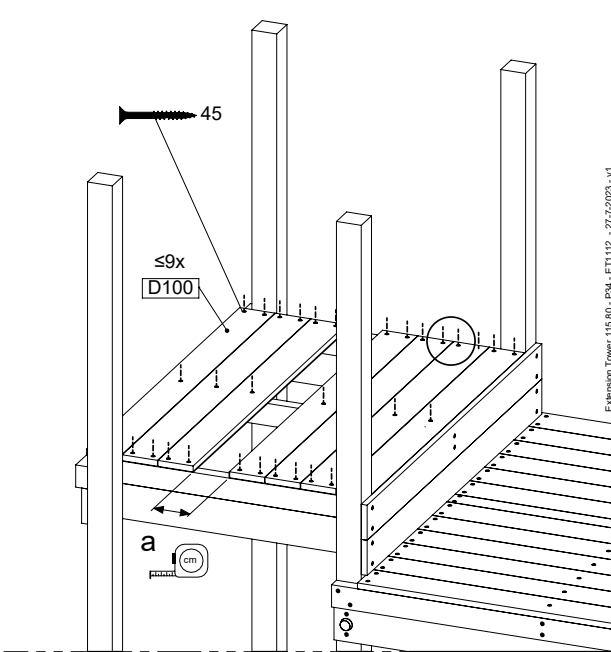
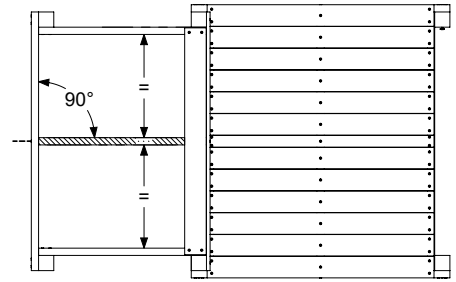


# 4.1

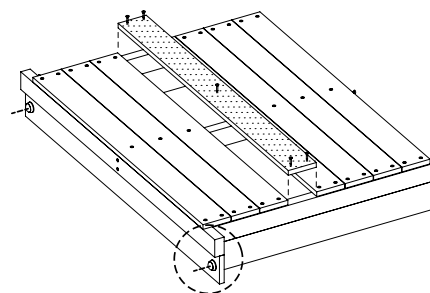
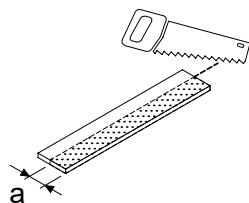
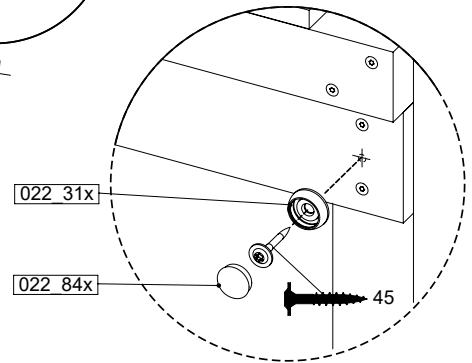
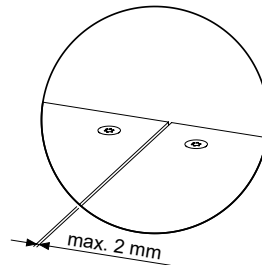




Extension Tower 115 80 - P30 - ET1112 - 27.7.2023 - v1



Extension Tower 115 80 - P30 - ET1112 - 27.7.2023 - v1

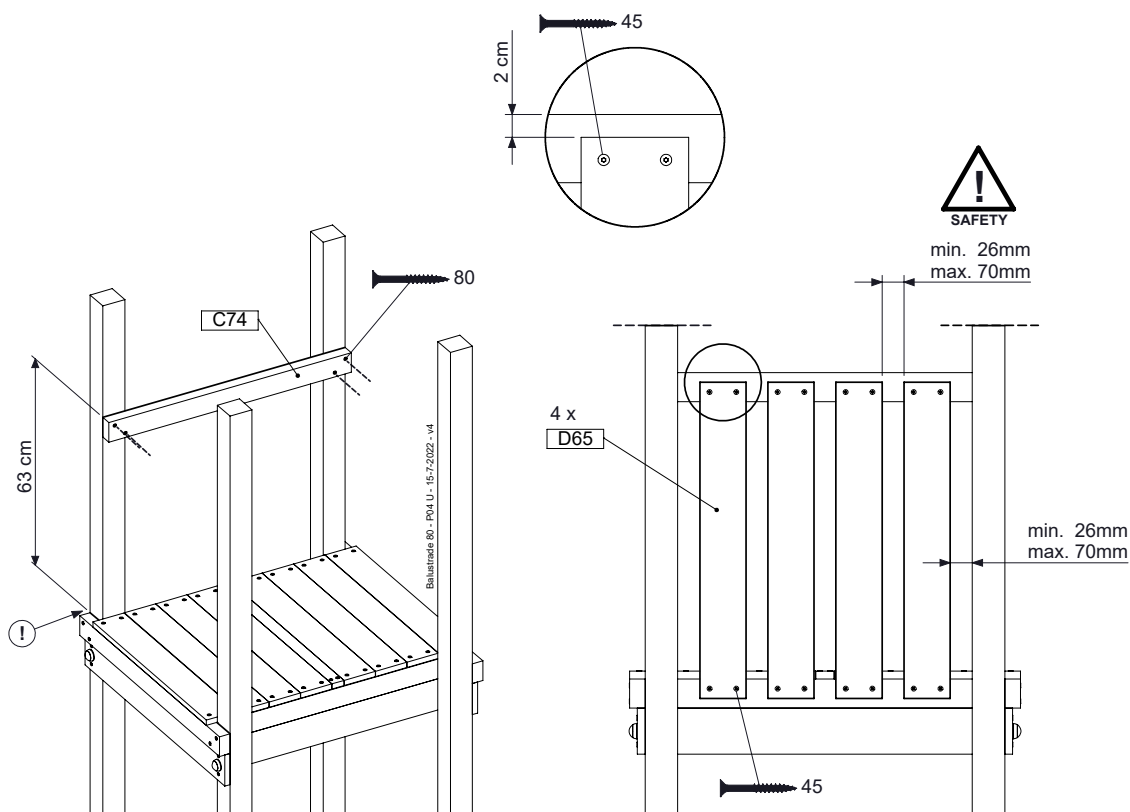
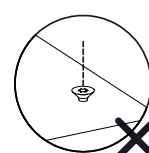
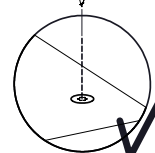
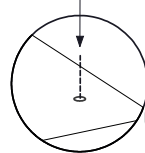
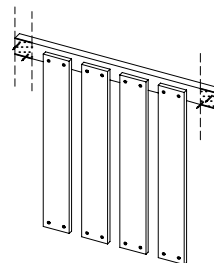


## 5 BL01a: Balustrade 80 U - 7x7 posts

( 194\_101 )

	PartNo	PartName	QTY.
Hardware Pack	002_220	Gap Point Screw T25 - 5x45	16
	100_601	Gap Point Screw T25 - 5x80	4
Timber	C74	Beam 740 mm	1
	D65	Board 650 mm	4

Balustrade 80 - P02 U - 15-7-2022 - v4

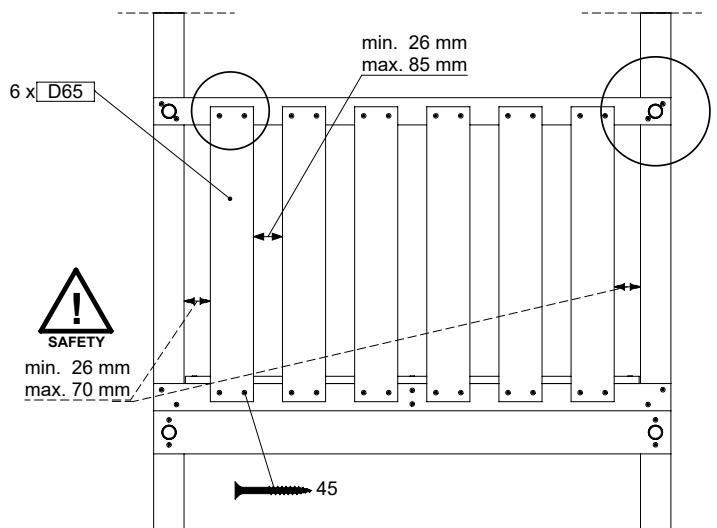
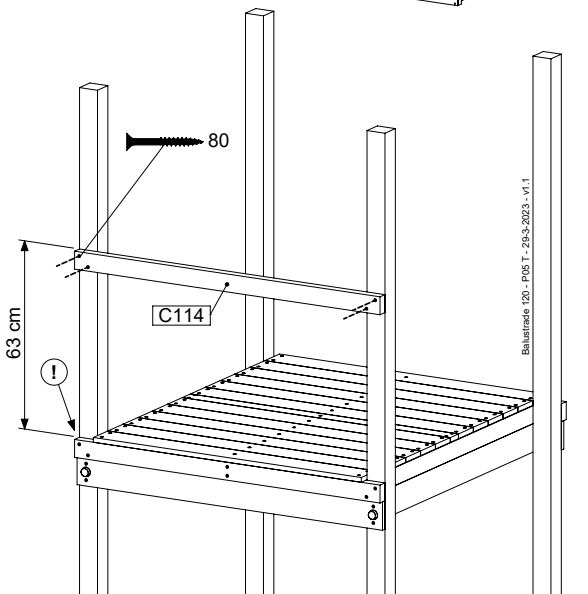
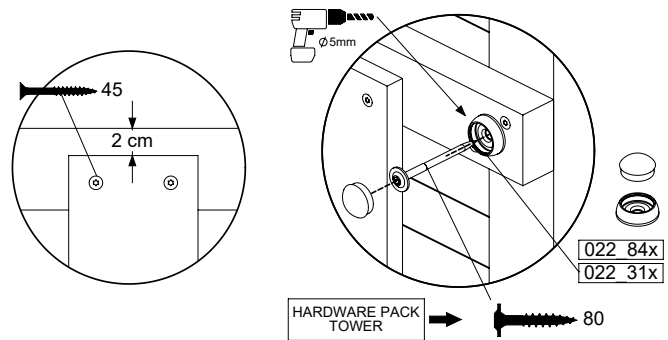
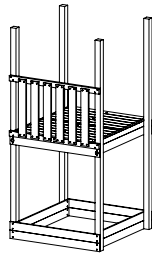
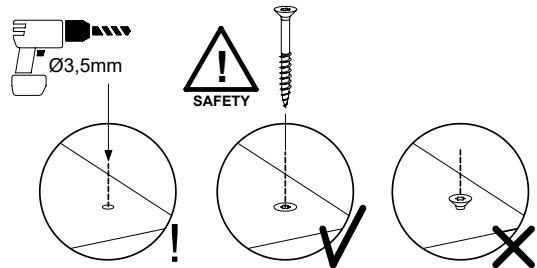
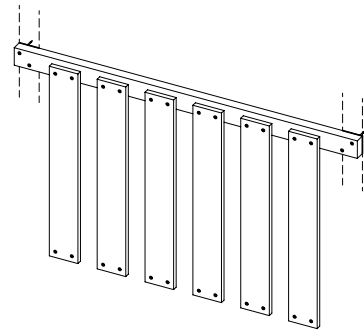


## 6 BL04a: Balustrade 115 T

( 194\_501 )

	PartNo	PartName	QTY.
Hardware Pack	002_220	Gap Point Screw T25 - 5x45	24
	002_223	Gap Point Screw T25 - 5x80	4
Timber	C114	Beam 1140 mm	1
	D65	Board 650 mm	6

Balustrade 120 - P03 T - 29-3-2023 - v1.1

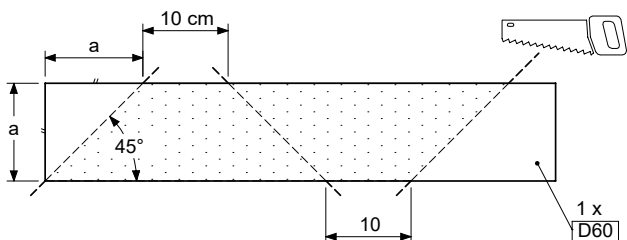
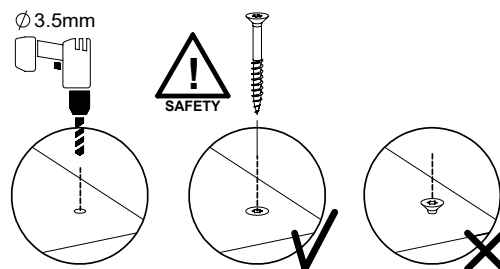
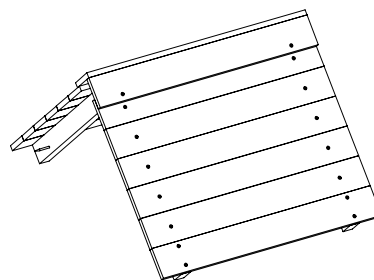


# 7 RF21a: Roof Timber Gable 80

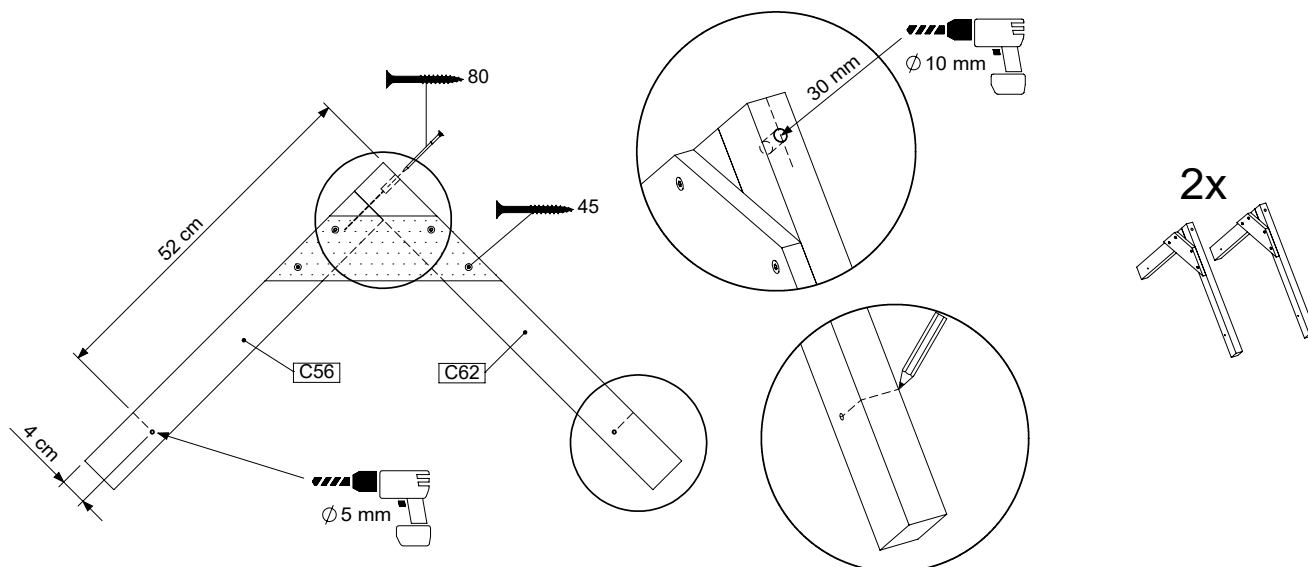
Assembly Pack: 194\_111

	PartNo	PartName	QTY.
Hardware Pack	001_417	Stealth Screw 8x80	4
	002_220	Gap Point Screw T25 - 5x45	48
	002_223	Gap Point Screw T25 - 5x80	2
Timber	C56	Beam 560 mm	2
	C62	Beam 620 mm	2
	D60	Board 600 mm	1
	D74	Board 740 mm	16

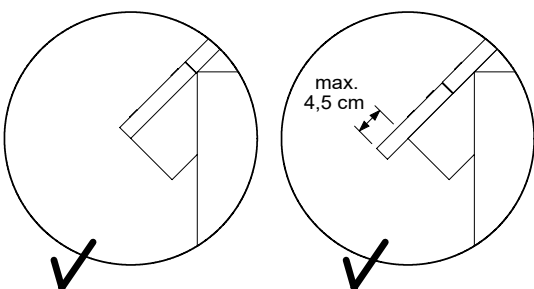
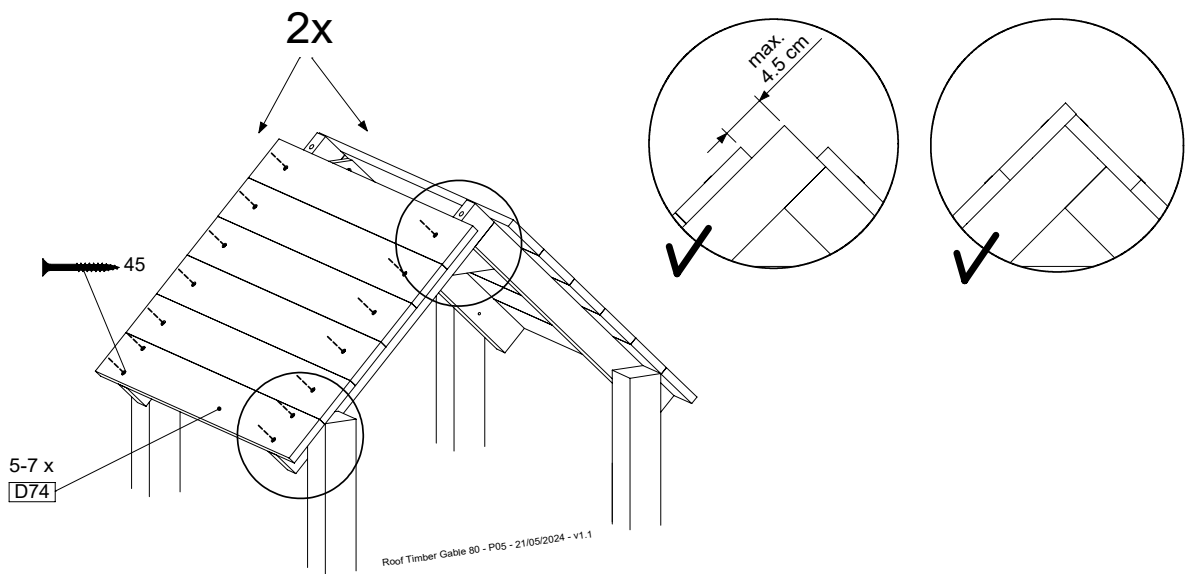
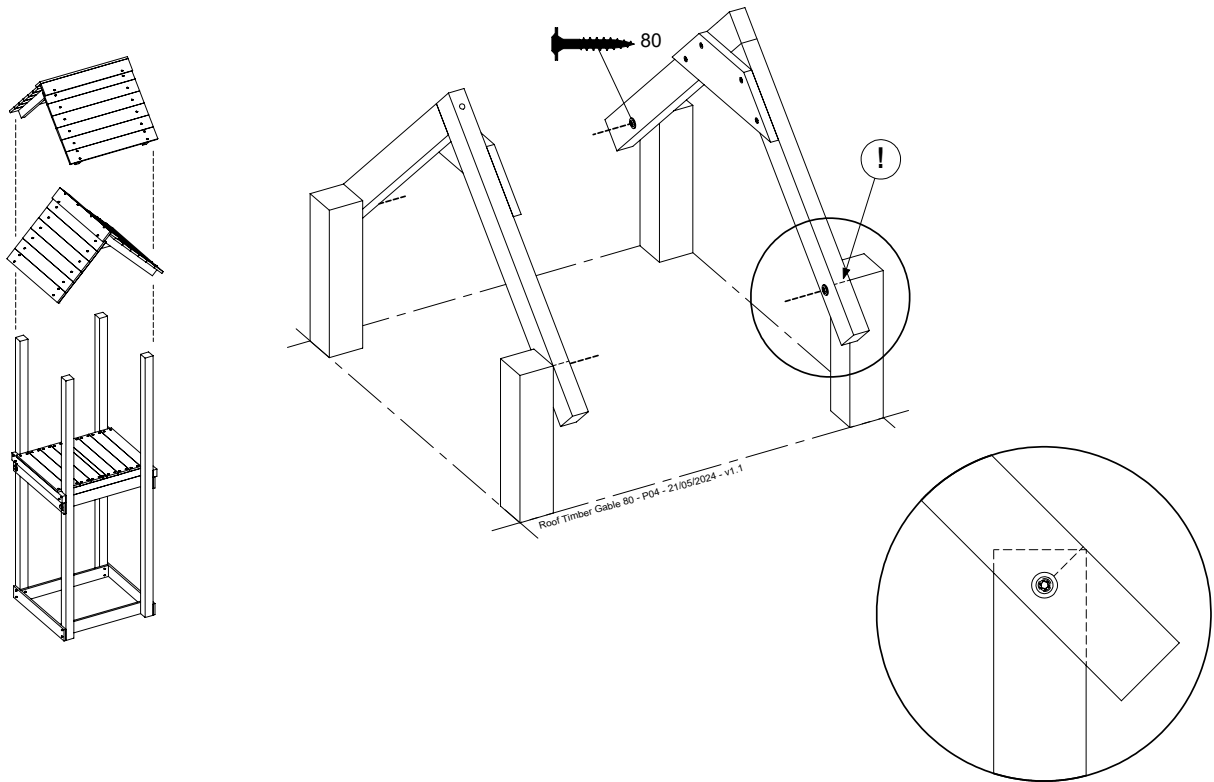
Roof Timber Gable 80 - P02 - 2/10/2024 - v1.1



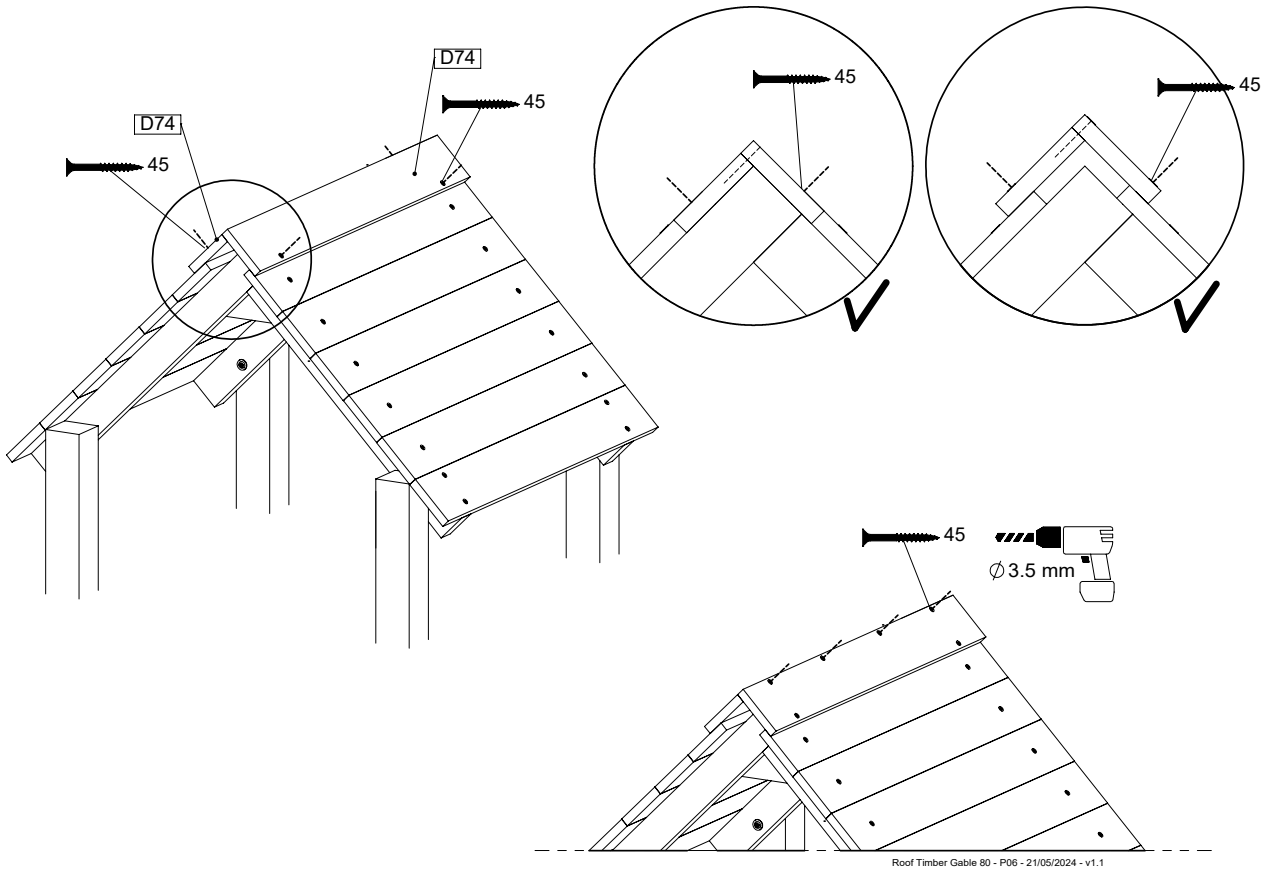
Roof Timber Gable 80 - P03 - 2/10/2024 - v1.1



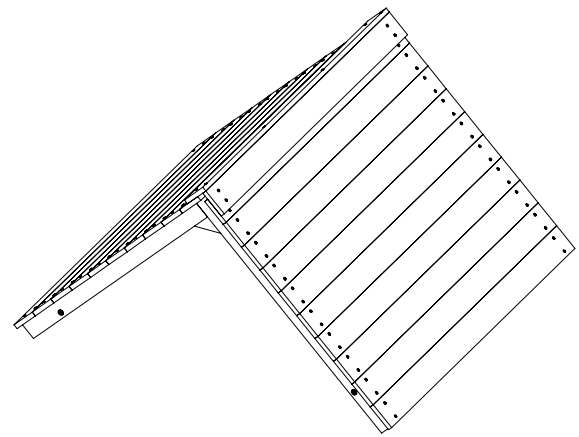
# 7.1



## 7.2



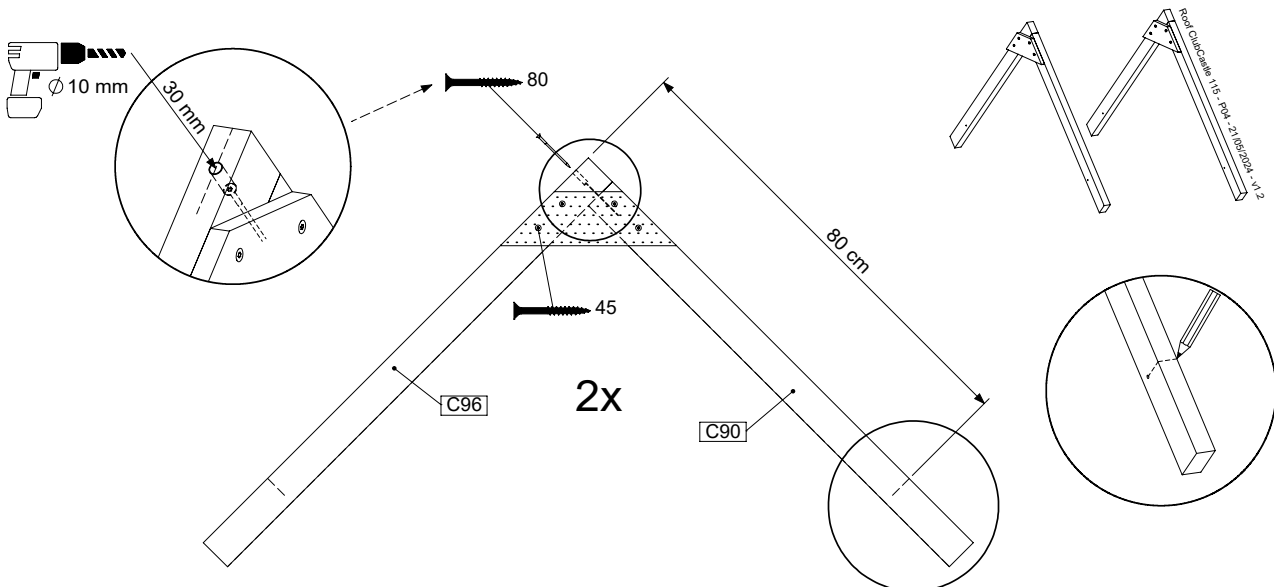
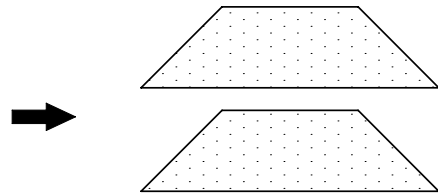
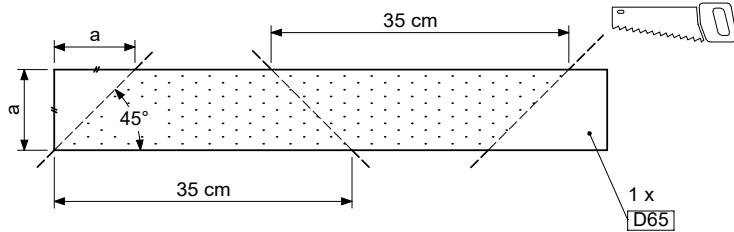
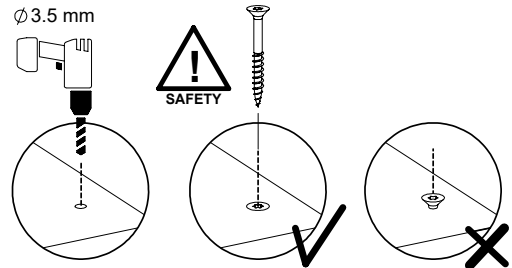
# 8 RF08a: Roof Timber Gable 115



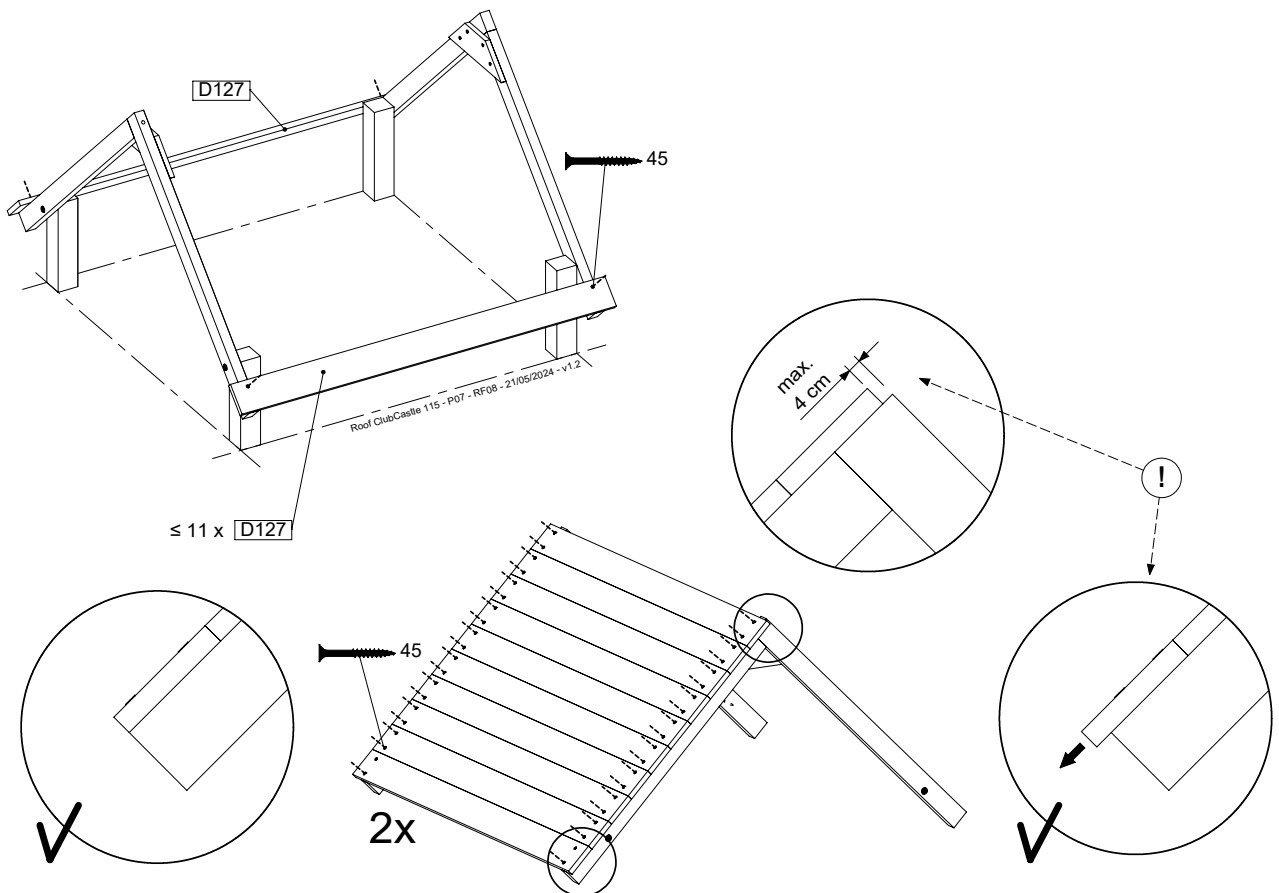
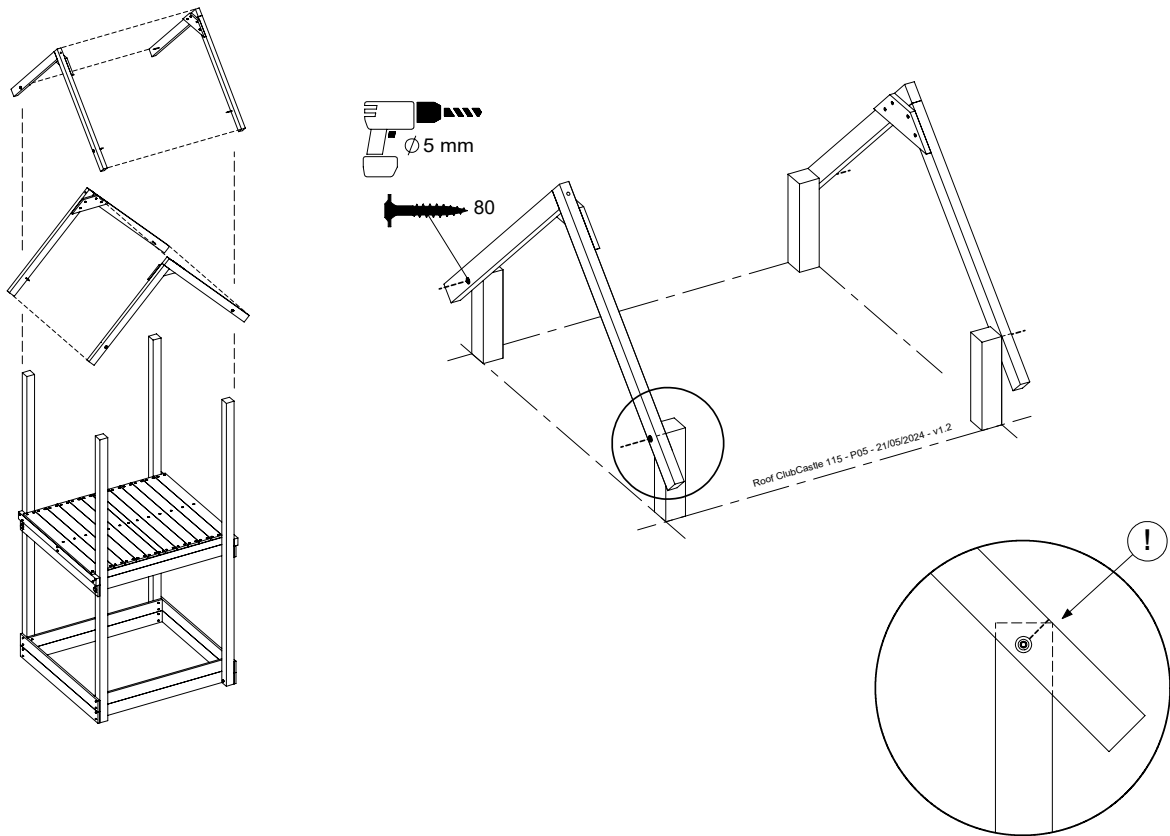
Assembly Pack: 194\_308 / 194\_804

	PartNo	PartName	QTY.
Hardware Pack	001_417	Stealth Screw 8x80	4
	002_220	Gap Point Screw T25 - 5x45	100
	002_223	Gap Point Screw T25 - 5x80	8
Timber	C96	Beam 960 mm	2
	D65	Board 650 mm	1
	D127	Board 1270 mm	24
	C90	Beam 900 mm	2

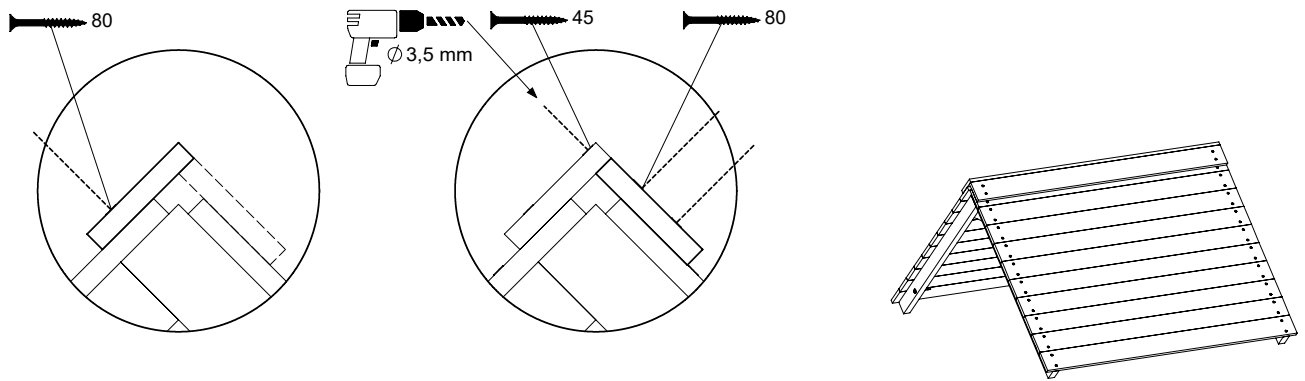
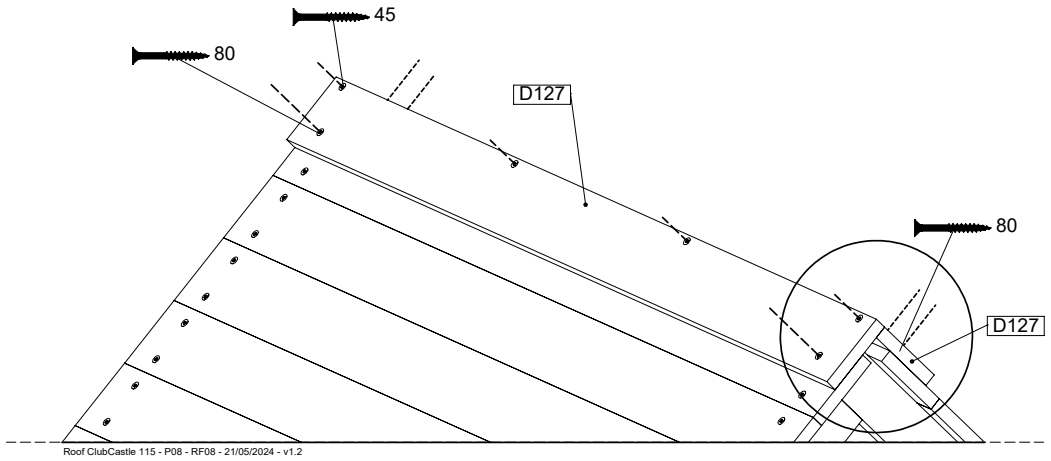
Roof Gable 115 - P03 - RF08 - 21/05/2024 - v1.2



# 8.1



## 8.2

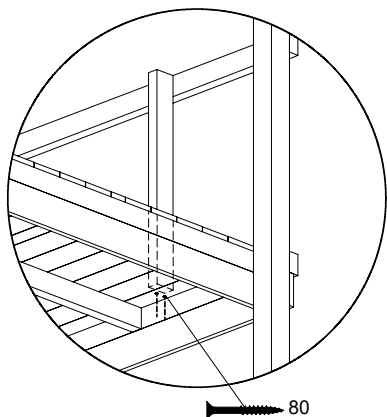
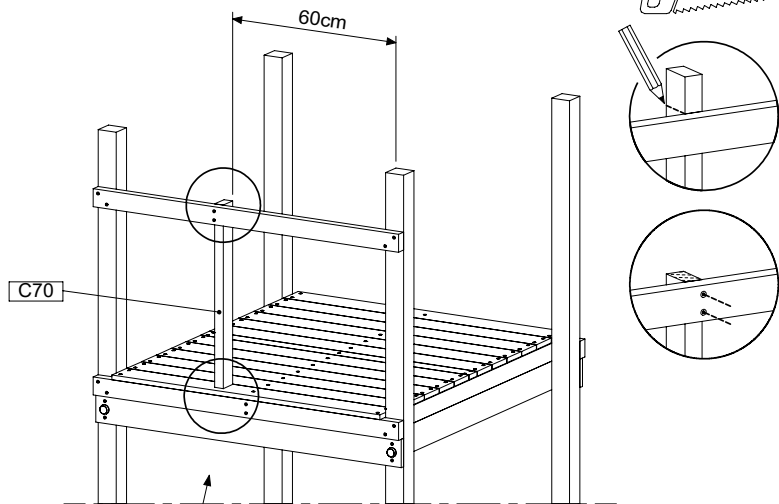
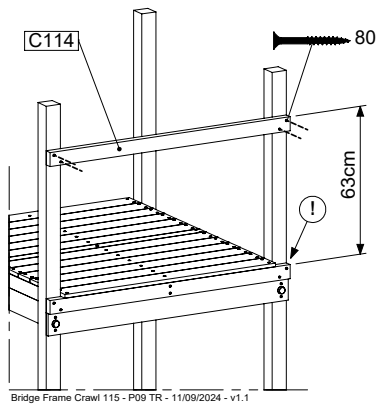
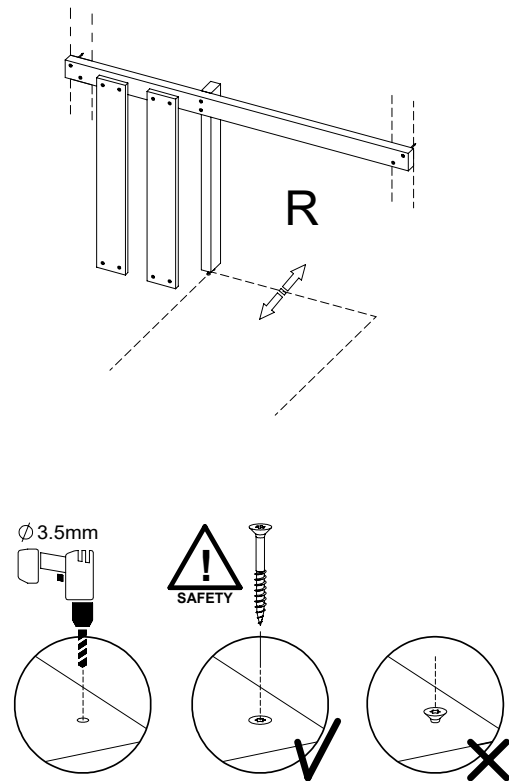


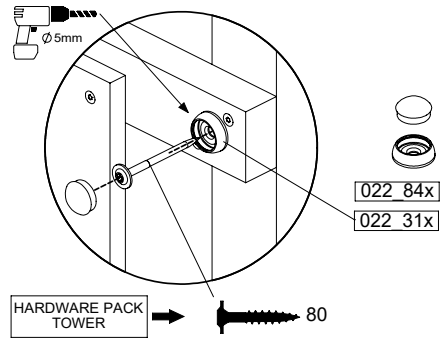
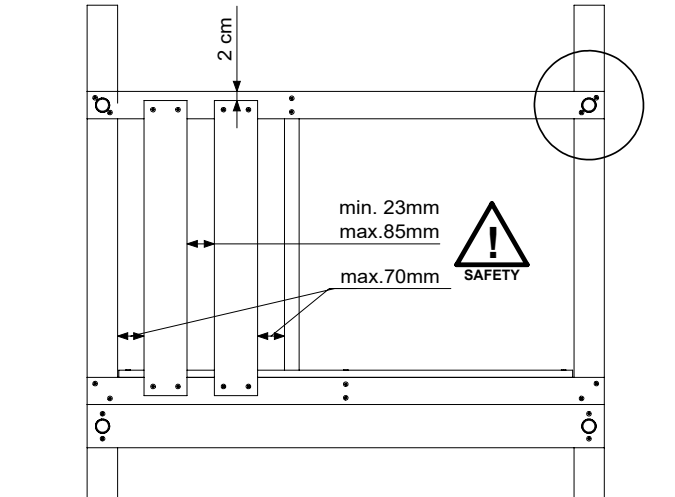
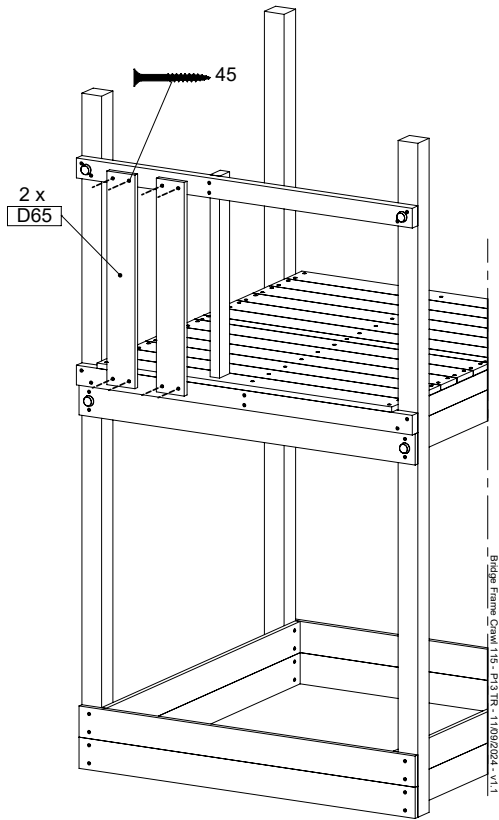
# 9 BF08a: Bridge Frame Crawl 115 T Right

Assembly Pack: 194\_007 (a) / 194\_802(b)

	PartNo	PartName	QTY.
Hardware + Parts	002_220	Gap Point Screw T25 - 5x45	8
	002_223	Gap Point Screw T25 - 5x80	8
Timber	C70	Beam 700 mm	1
	C114	Beam 1140 mm	1
	D65	Board 650 mm	2

Bridge Frame Crawl 115 - P08 TR - 11/09/2024 - v1.1



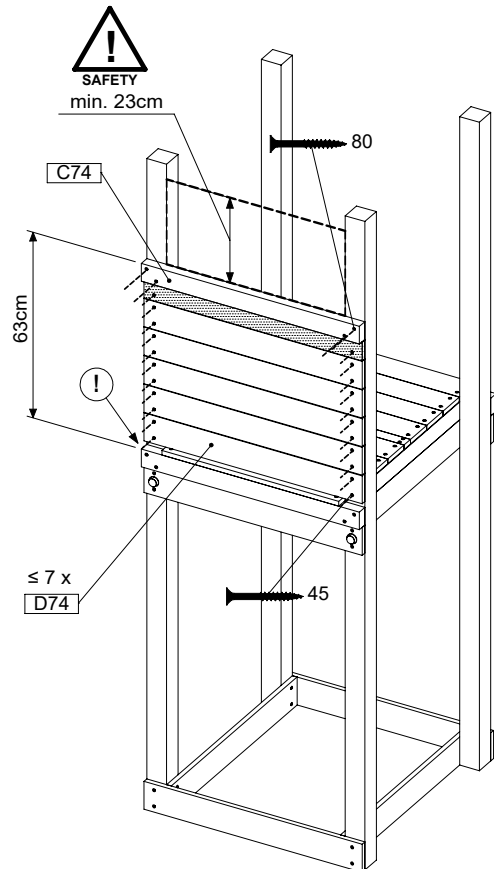
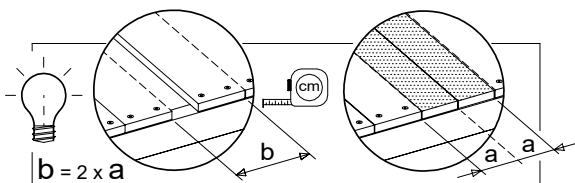
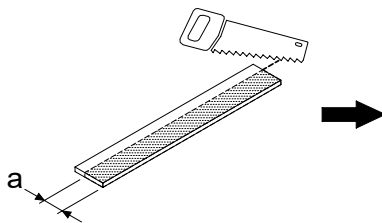
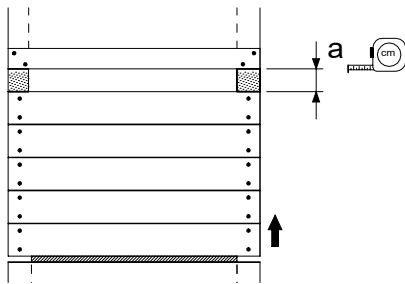
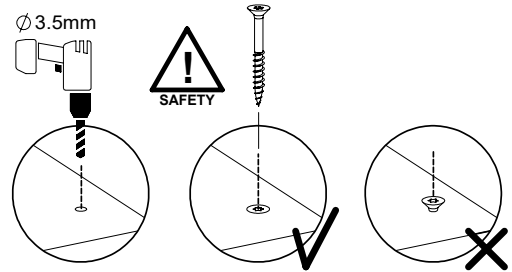
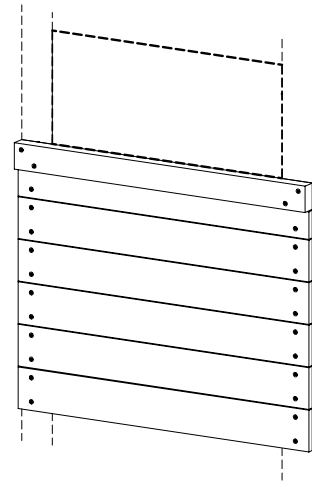


# 10 PH06a: Playhouse Window Panel 80 T

Assembly Pack: 194\_501

	PartNo	PartName	QTY.
Hardware + Parts	002_220	Gap Point Screw T25 - 5x45	28
	002_223	Gap Point Screw T25 - 5x80	4
Timber	C74	Beam 740 mm	1
	D74	Board 740 mm	7

Playhouse Walls - P06 WIN T - 15/05/2024 - v4.2



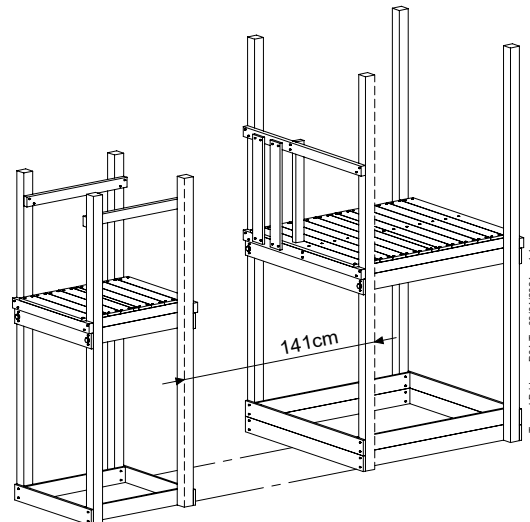
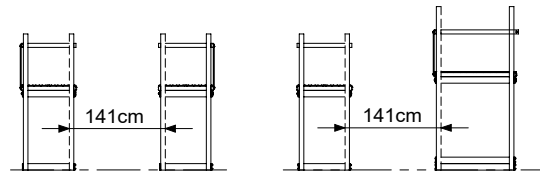
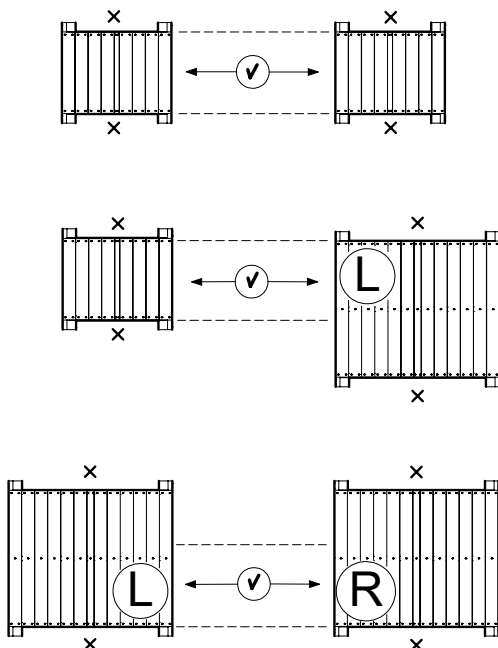
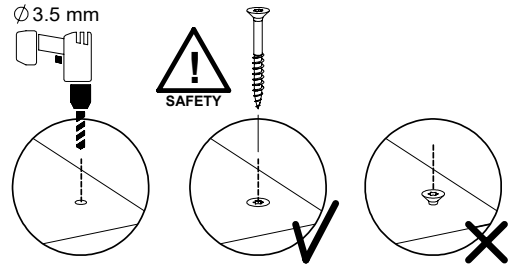
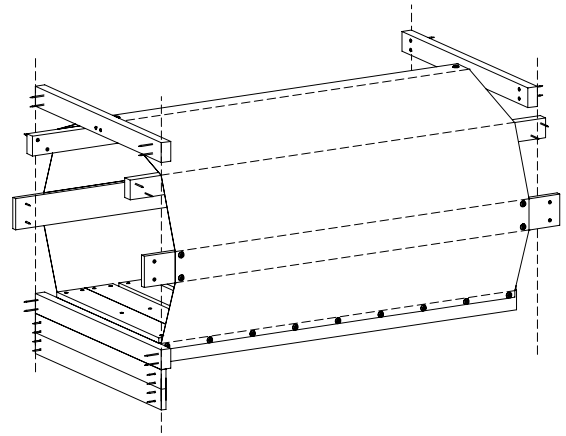
Playhouse Walls - P13 WIN T - 15/05/2024 - v4.2

# 11 TB02a: Tunnel Bridge T Level

Assembly Pack: 194\_812

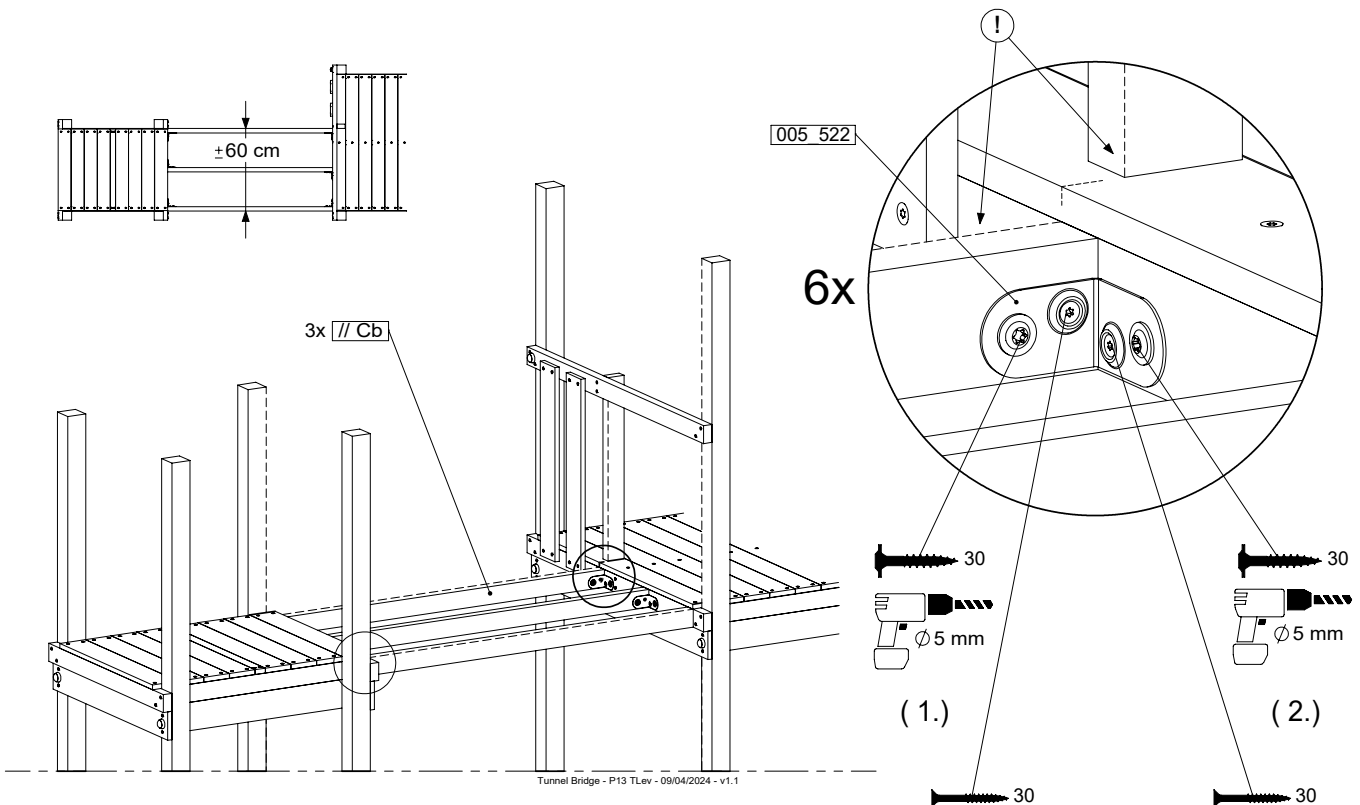
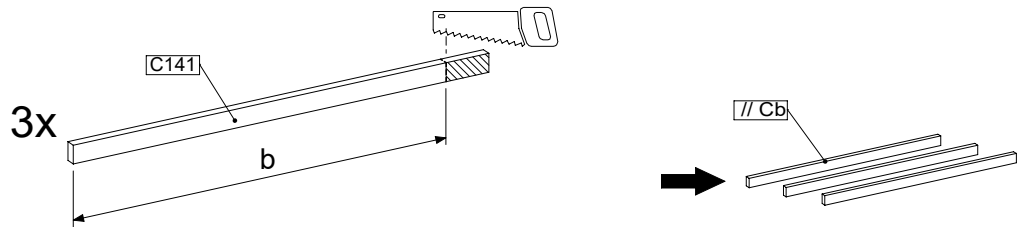
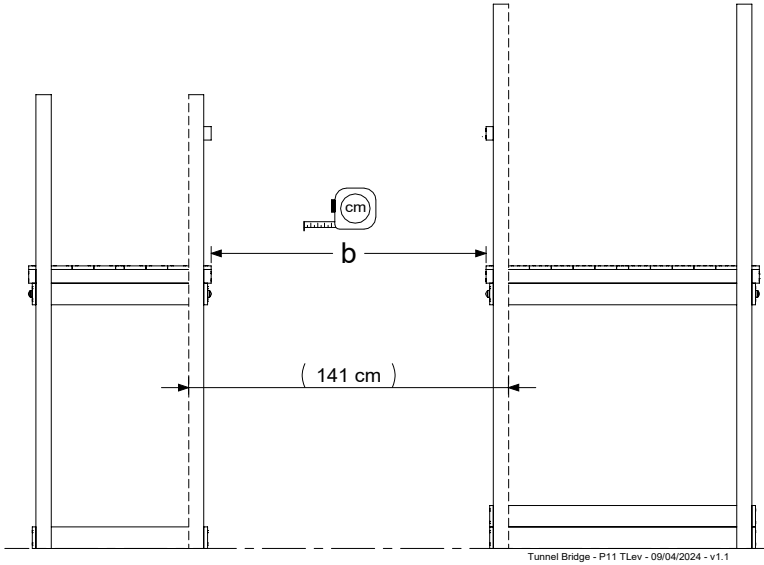
	PartNo	PartName	QTY.
Hardware Pack	001_404	Stealth Screw 8x30	12
	001_411	Stealth Screw 8x60	2
	001_417	Stealth Screw 8x80	4
	002_219	Gap Point Screw T25 - 5x30	12
	002_220	Gap Point Screw T25 - 5x45	81
	002_222	Gap Point Screw T25 - 5x60	4
	002_223	Gap Point Screw T25 - 5x80	24
	002_308	Gap Point Screw T25 - 5x20	28
	023_031	Finishing Washer GPS 5.0	28
Other	005_522	Connection Bracket Mini Market	6
	021_512	Mesh green 1.20 x 1.85m	1
Timber	C74	Beam 740 mm	3
	C141	Beam 1410 mm	6
	D60	Board 600 mm	13
	D74	Board 740 mm	2
	D141	Board 1410 mm	2

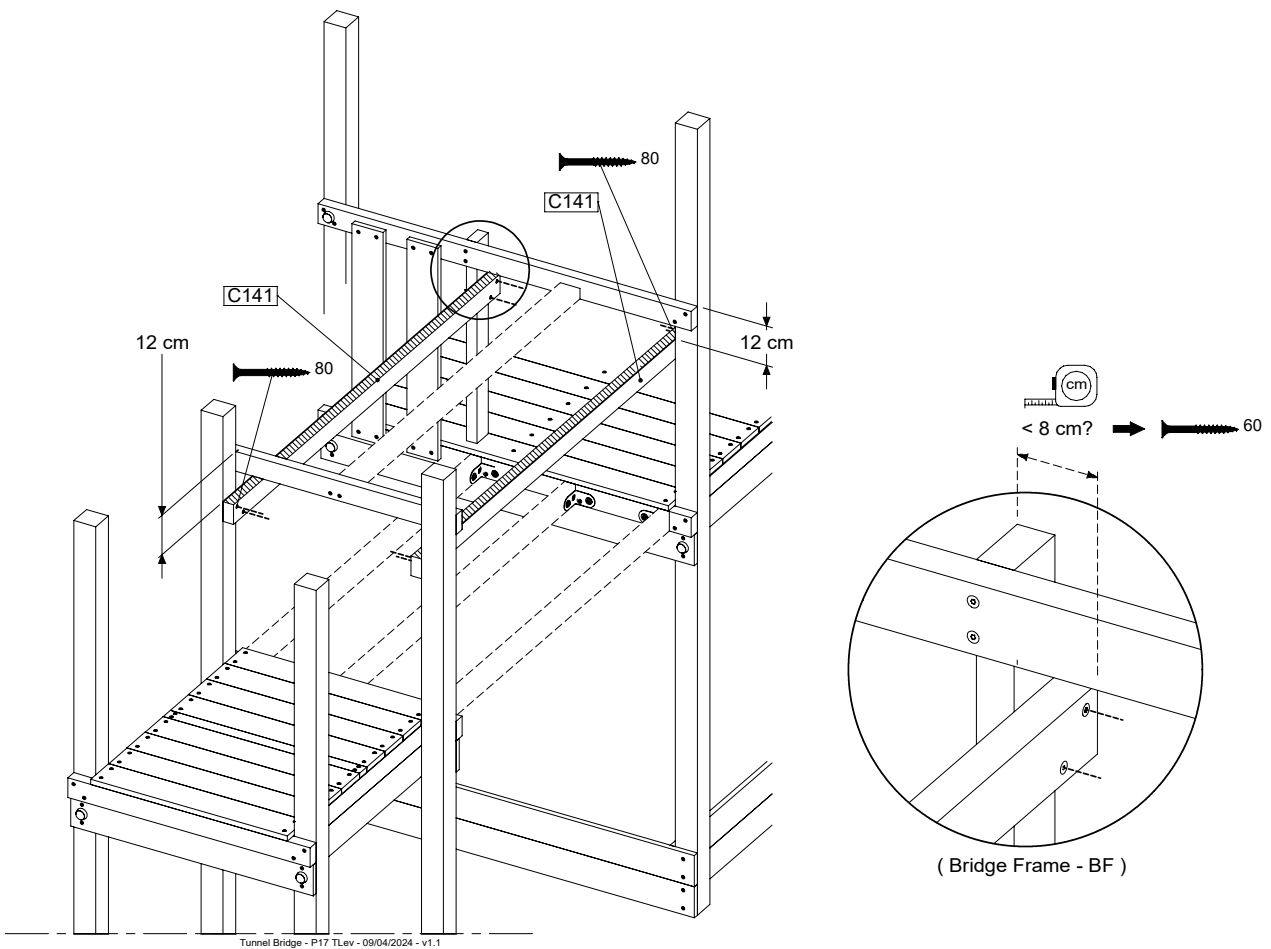
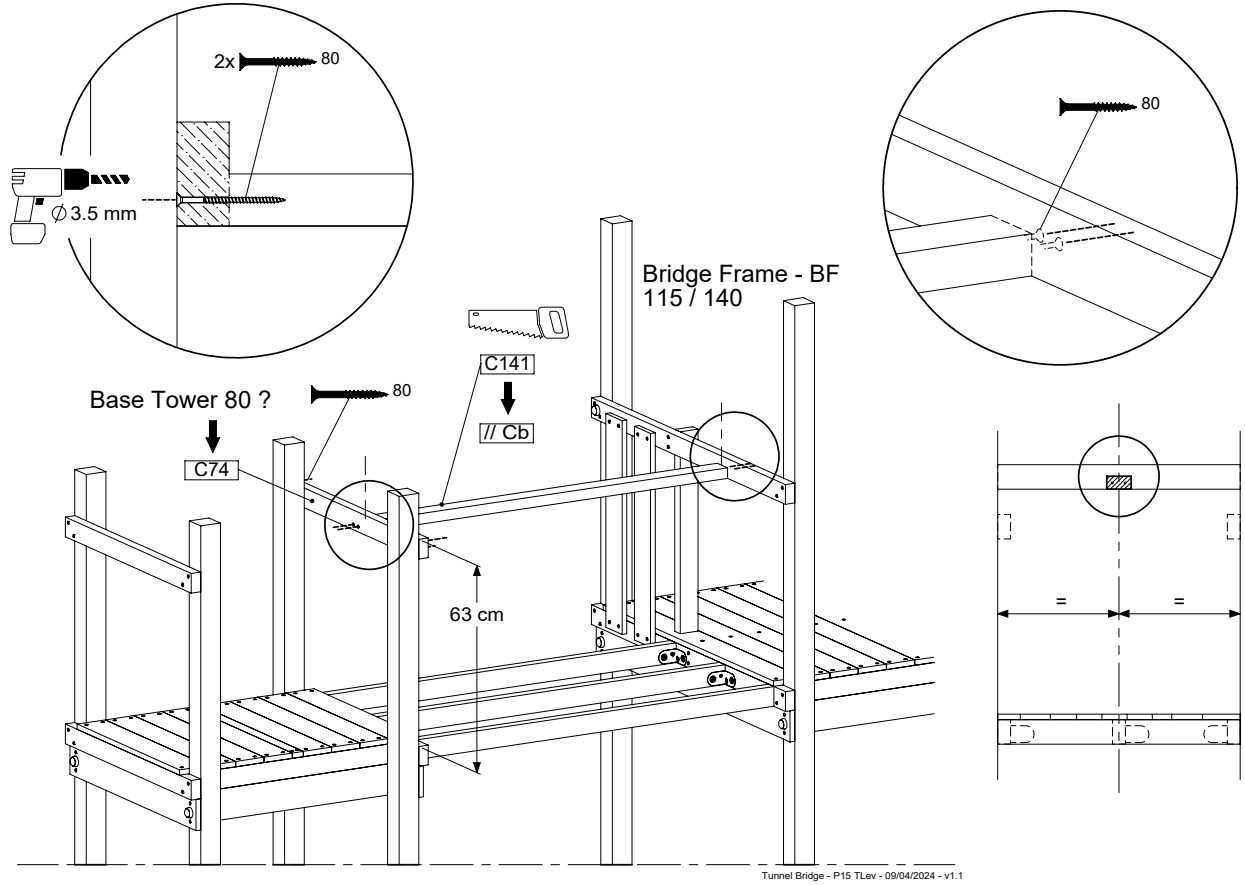
Tunnel Bridge - P02 - 09/04/2024 - v1.1

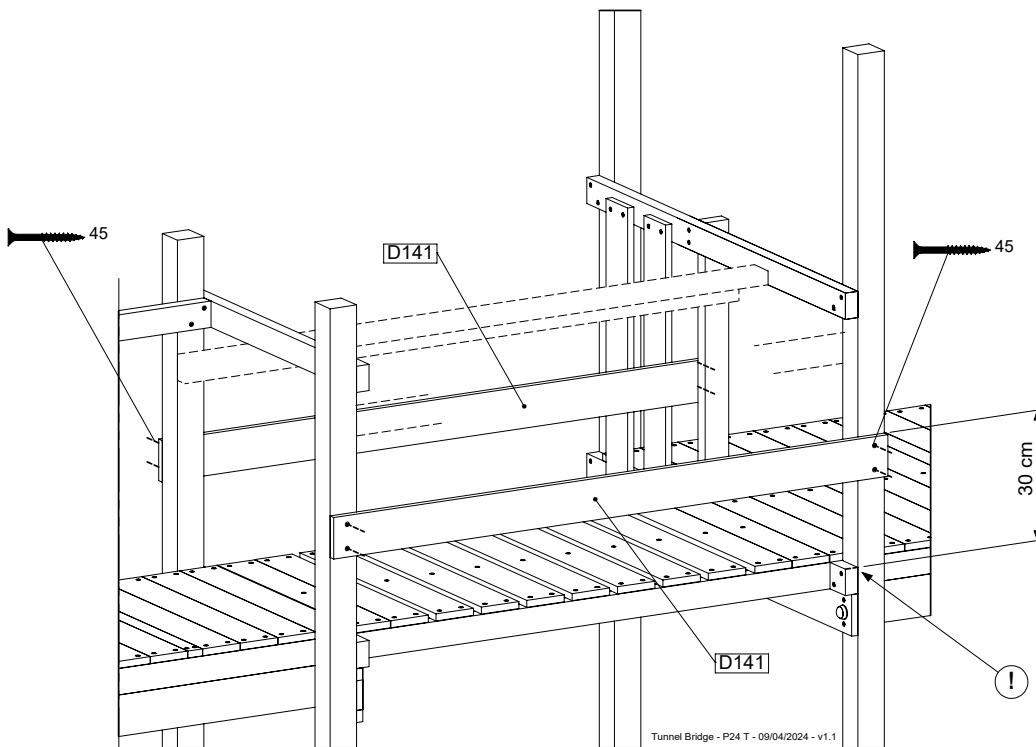
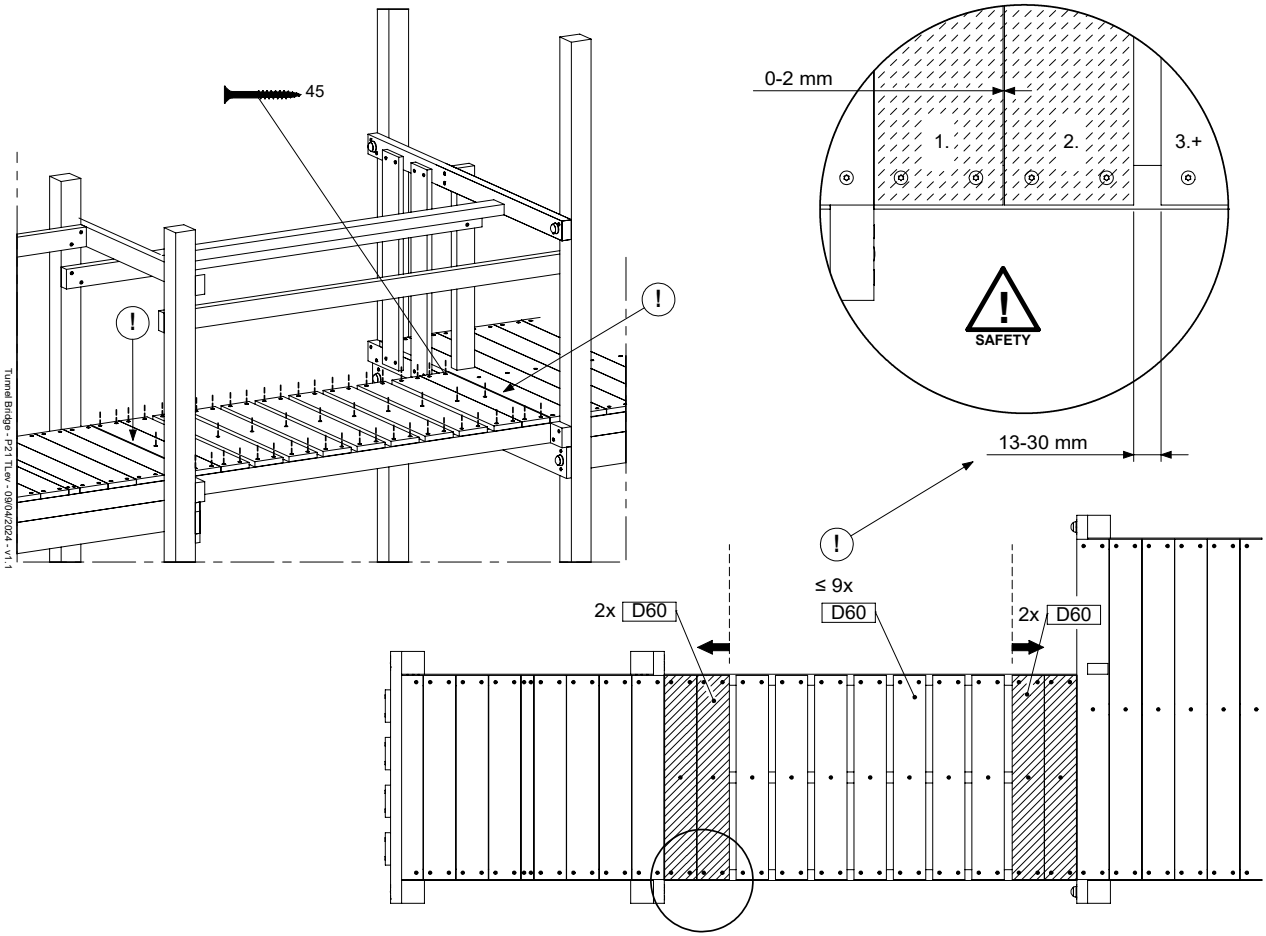


Tunnel Bridge - P04 T - 09/04/2024 - v1.1

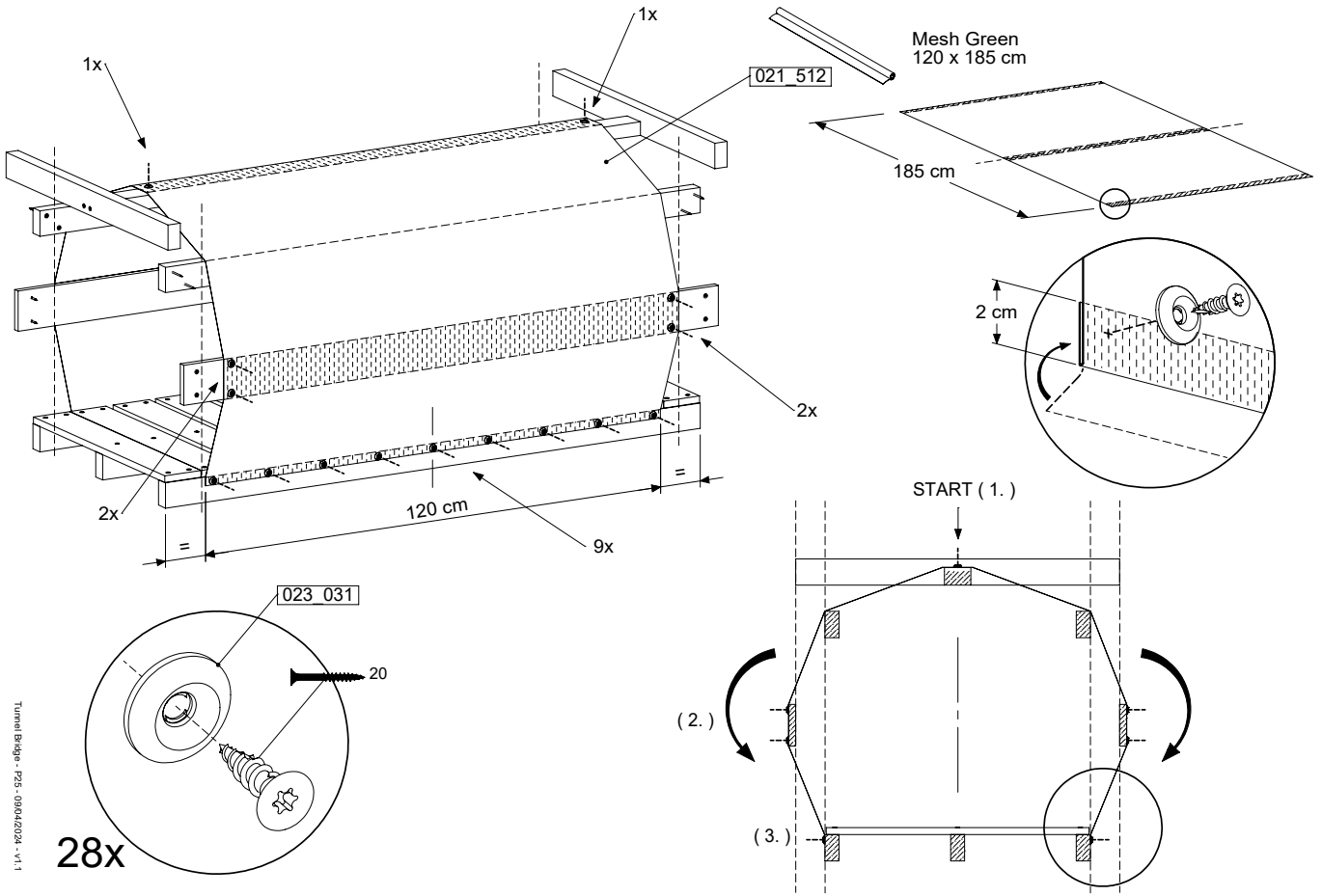
# 11.1







# 11.4

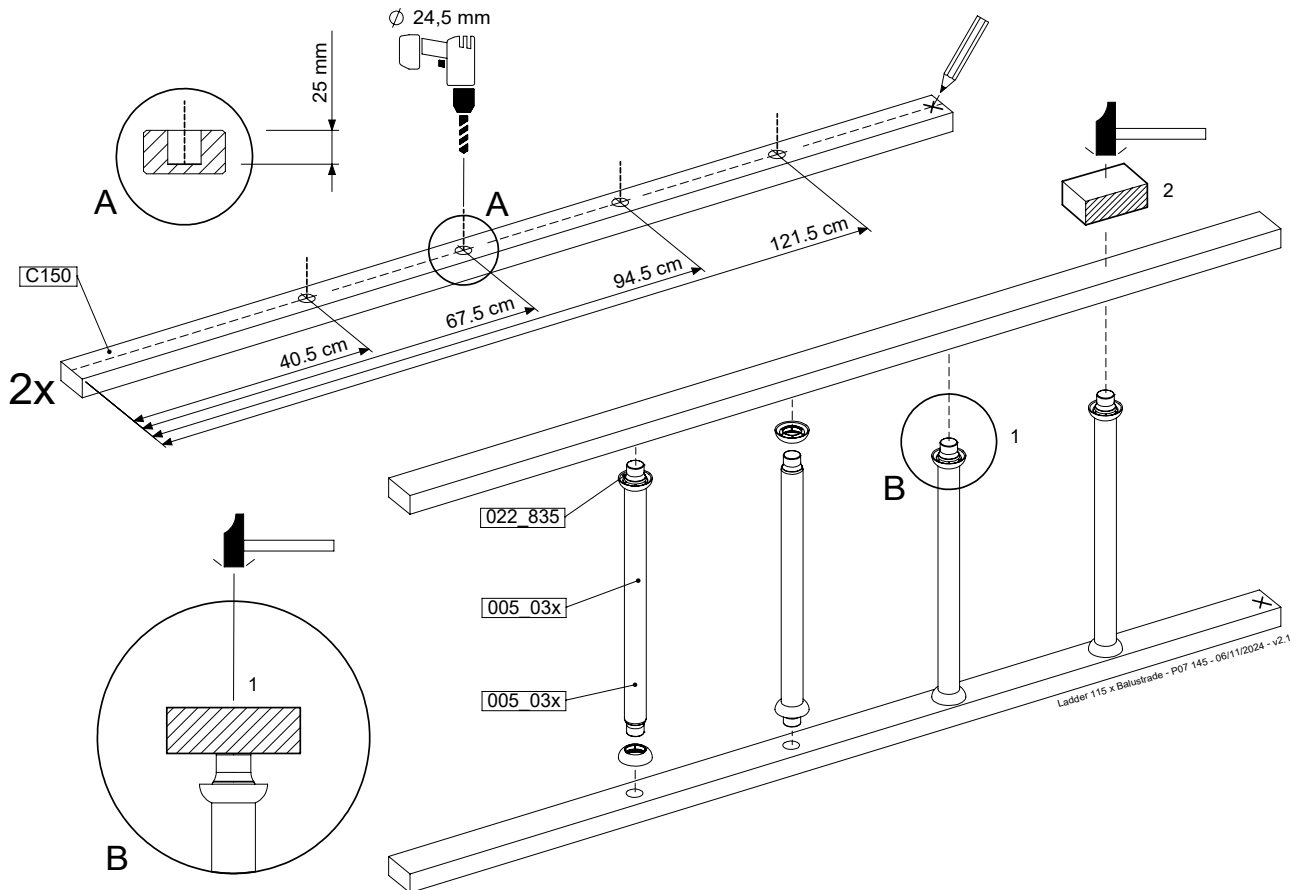
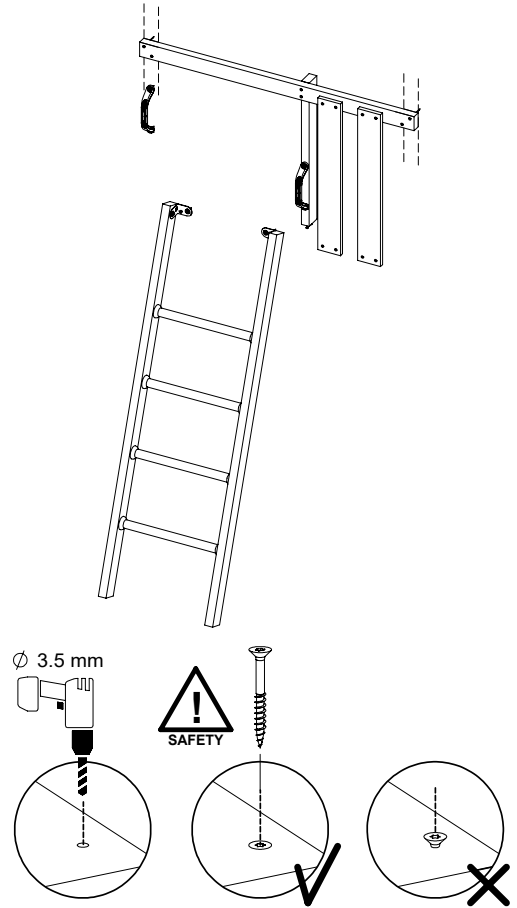


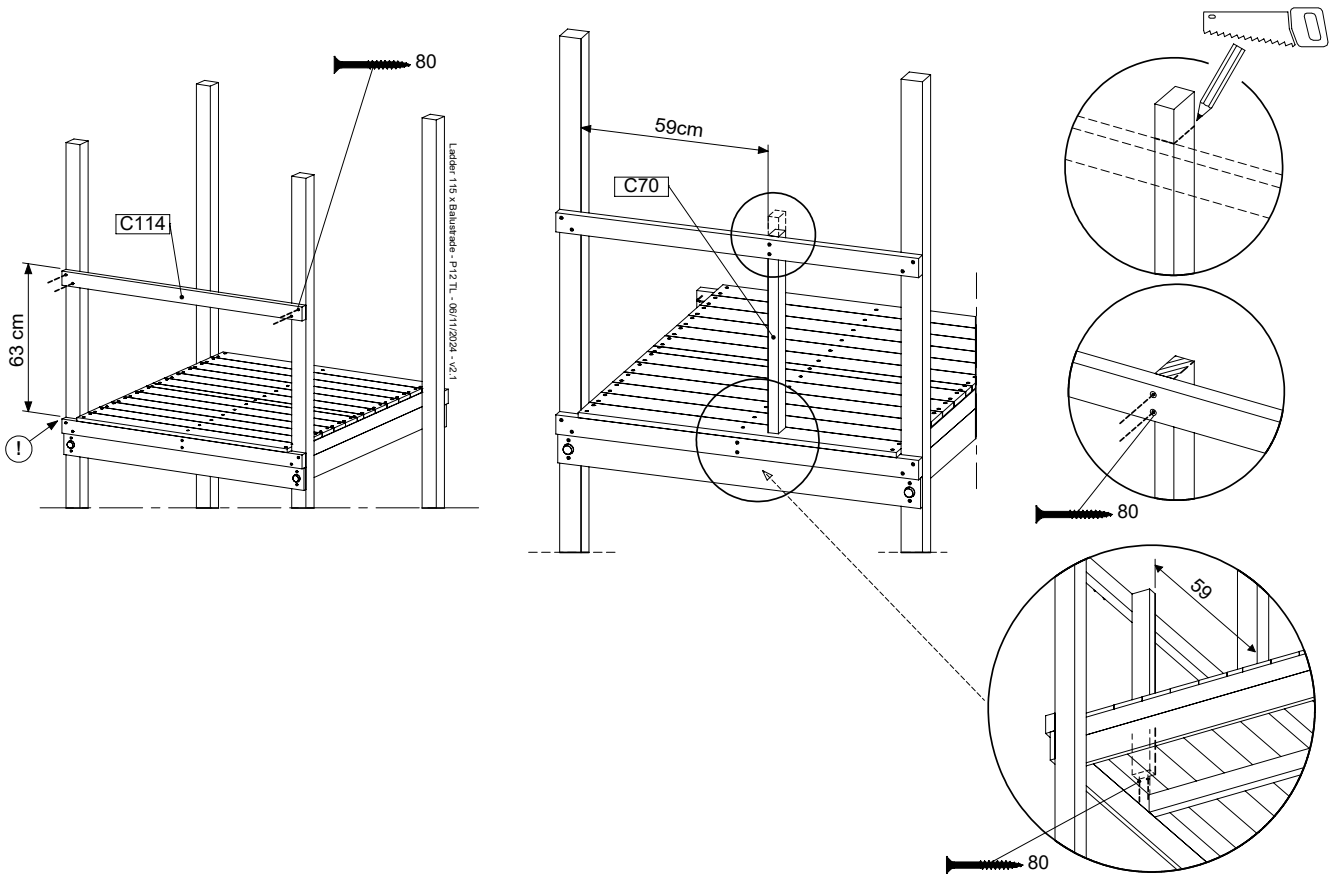
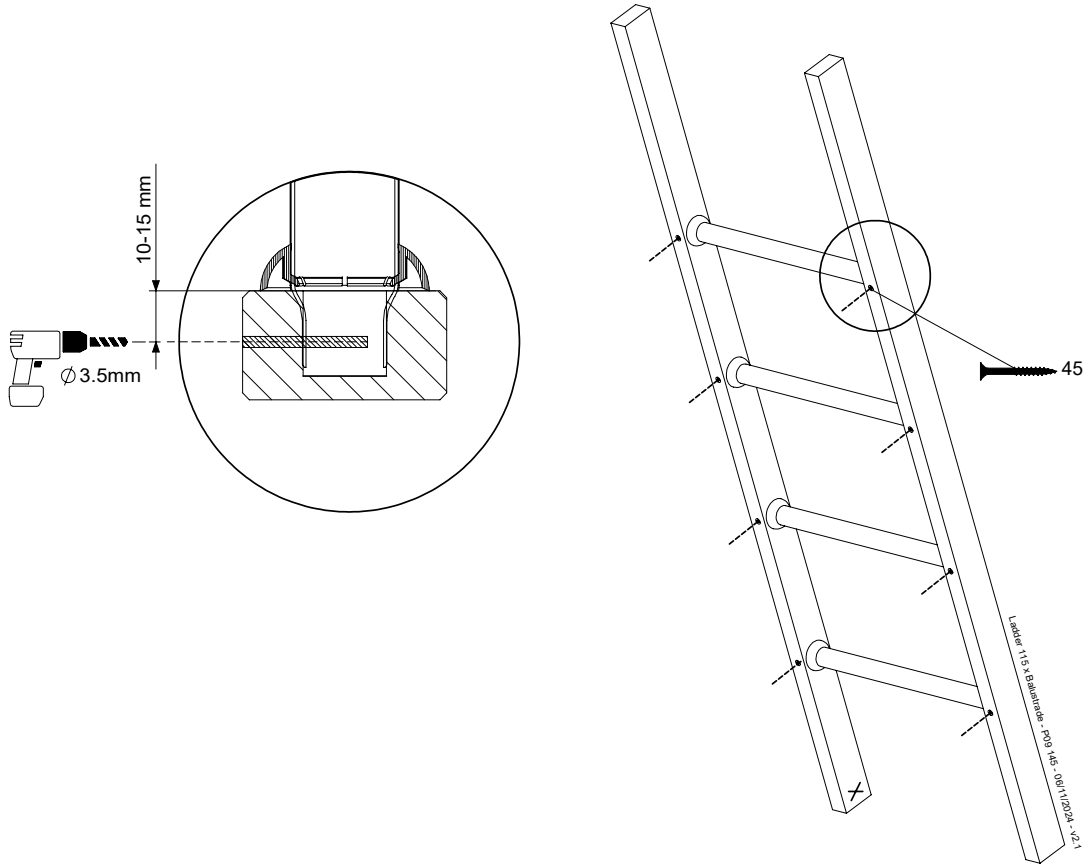
Tunnel Bridge - PSE - 09042024 - v1.1

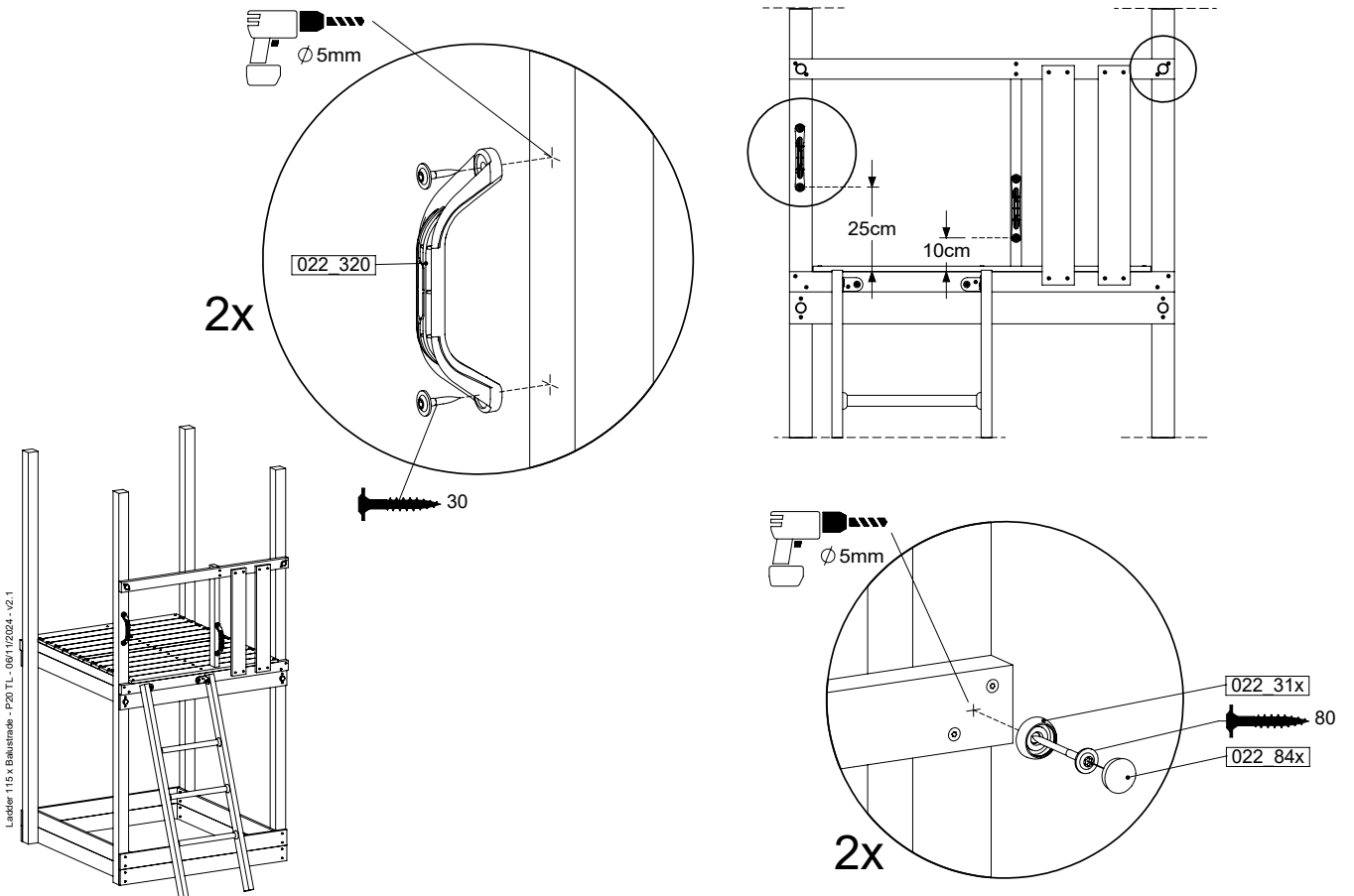
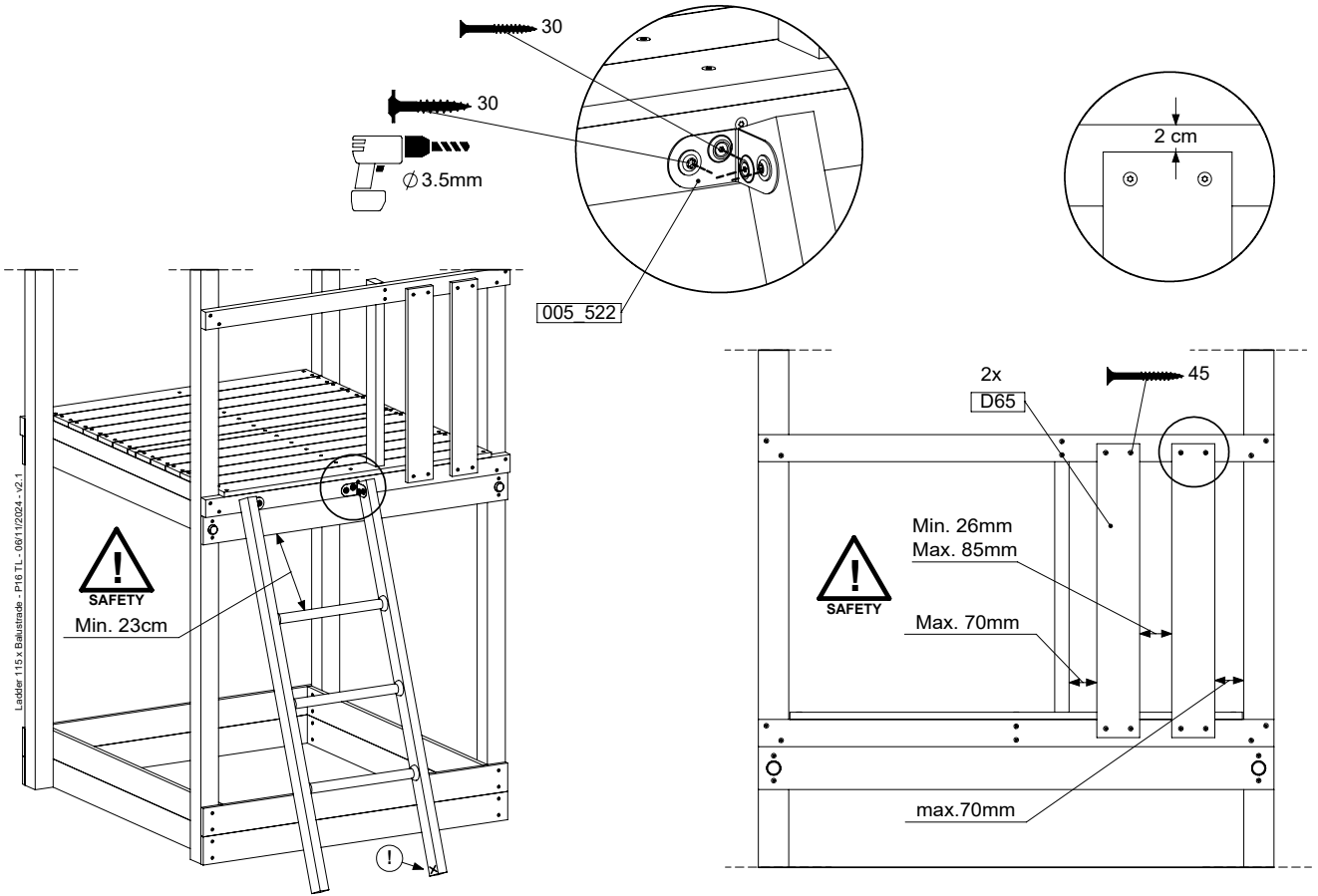
# 12 LA17a: Ladder 115 145 T Left

Assembly Packs: 194\_101 + 194\_004 / 194\_104

	PartNo	PartName	QTY.
Hardware + Parts	001_404	Stealth Screw 8x30	4
	002_219	Gap Point Screw T25 - 5x30	4
	002_220	Gap Point Screw T25 - 5x45	16
	002_223	Gap Point Screw T25 - 5x80	8
	005_03x	Ladder Rung Y/B/G/R	4
	005_522	Connection Bracket Mini Market	2
	022_835	Rung Cap	8
	120_102	Handgrip set (complete 2x)	1
Timber	C114	Beam 1140 mm	1
	C150	Beam 1500 mm	2
	C70	Beam 700 mm	1
	D65	Board 650 mm	2





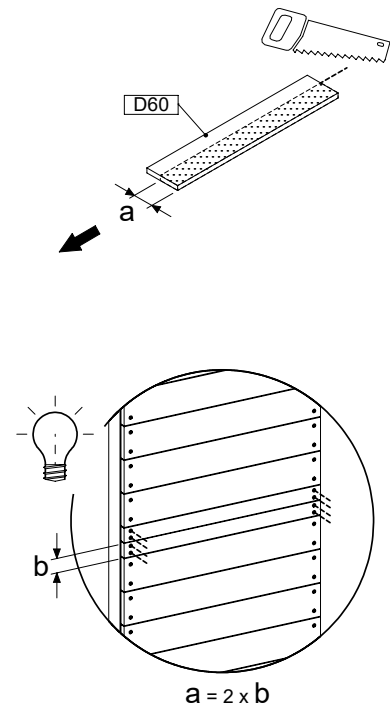
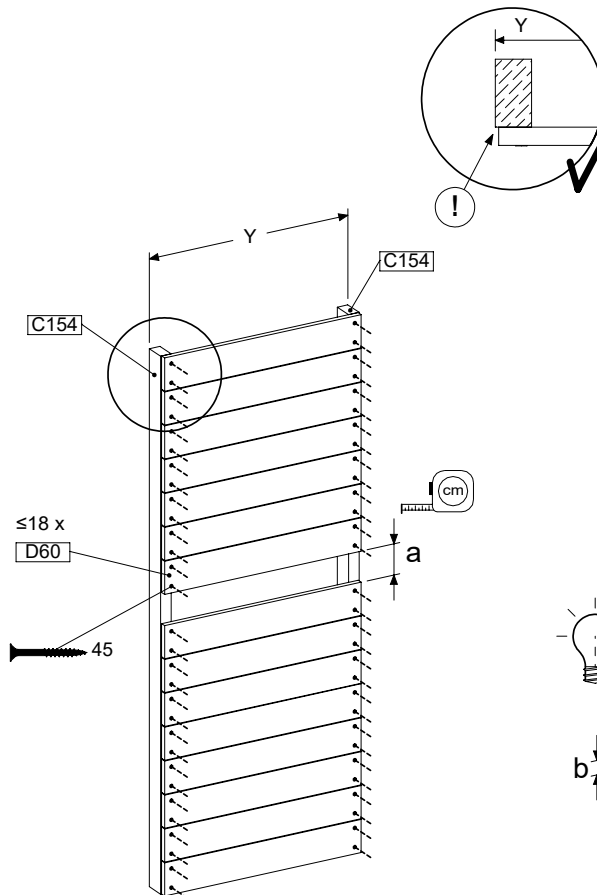
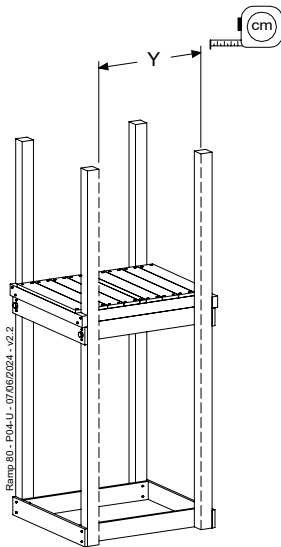
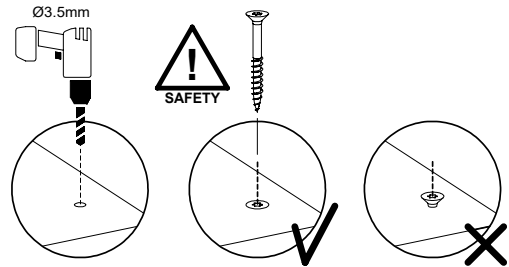
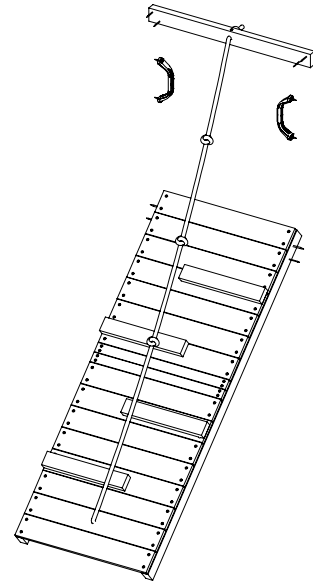


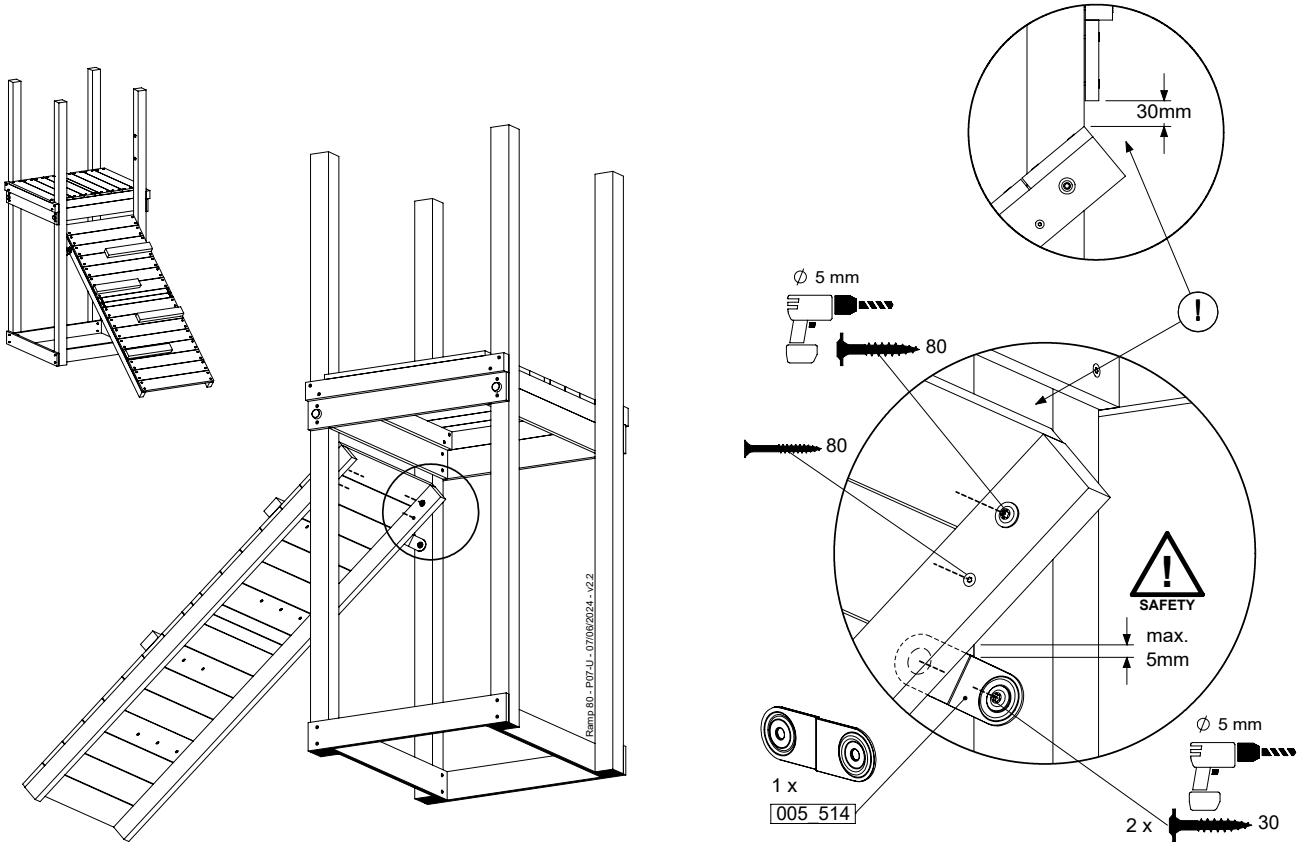
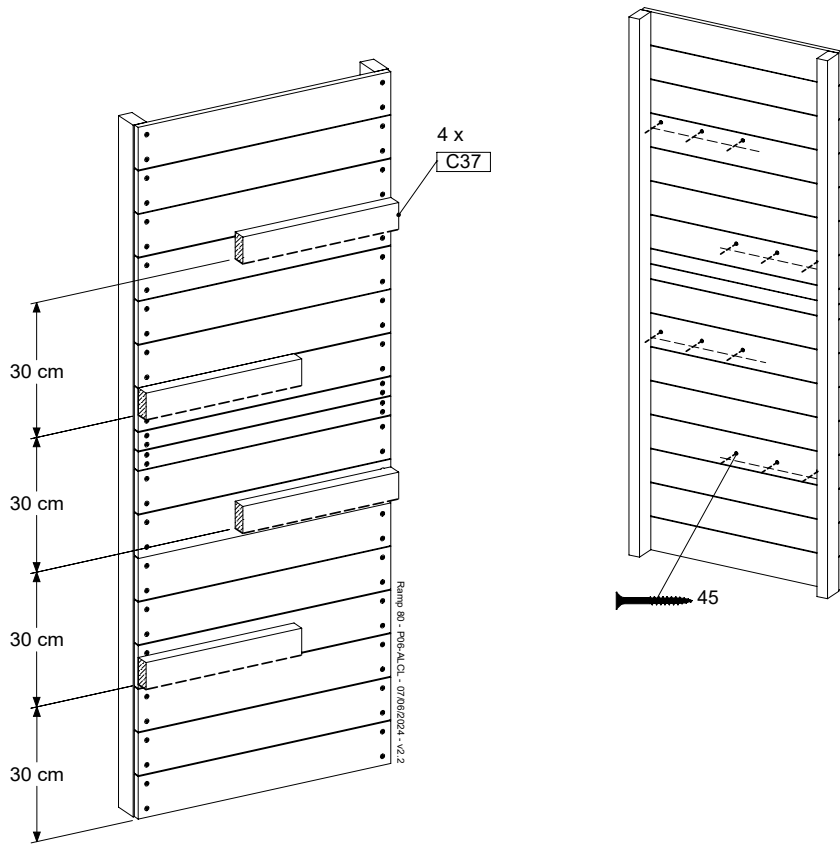
# 13 RA03a: Ramp 80 125 U

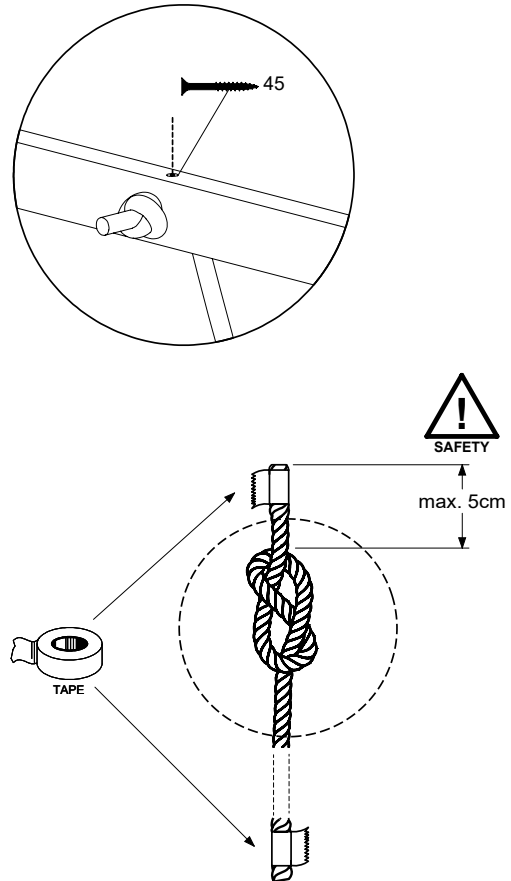
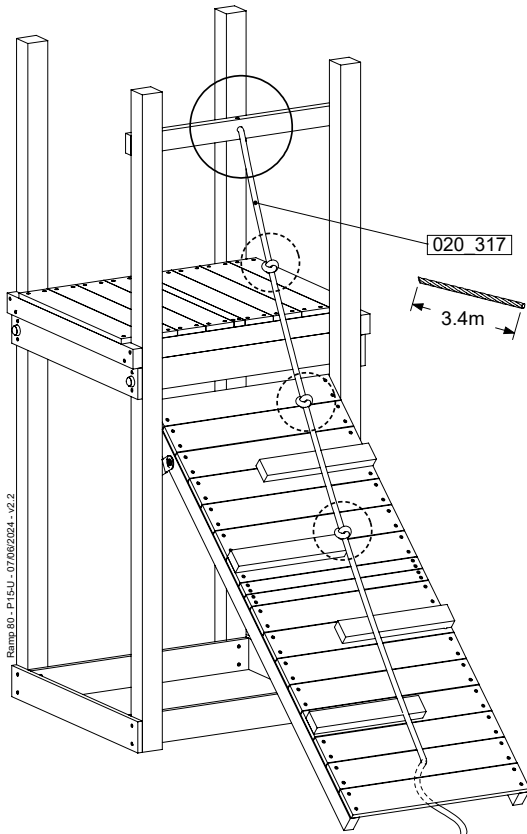
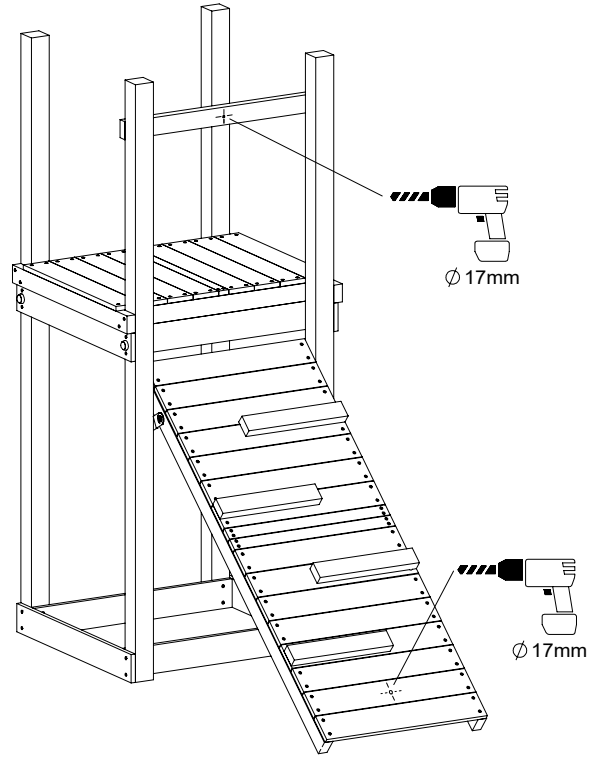
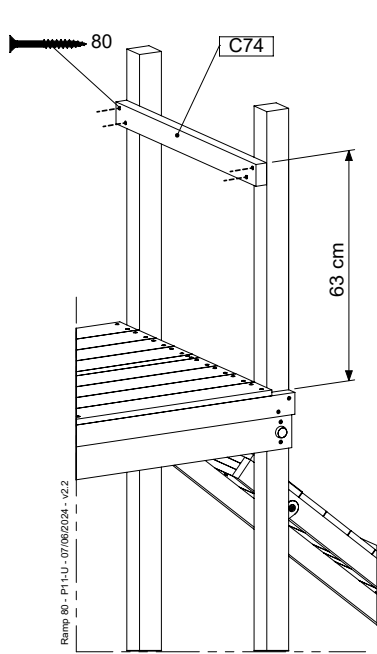
Assembly Pack: 194\_008

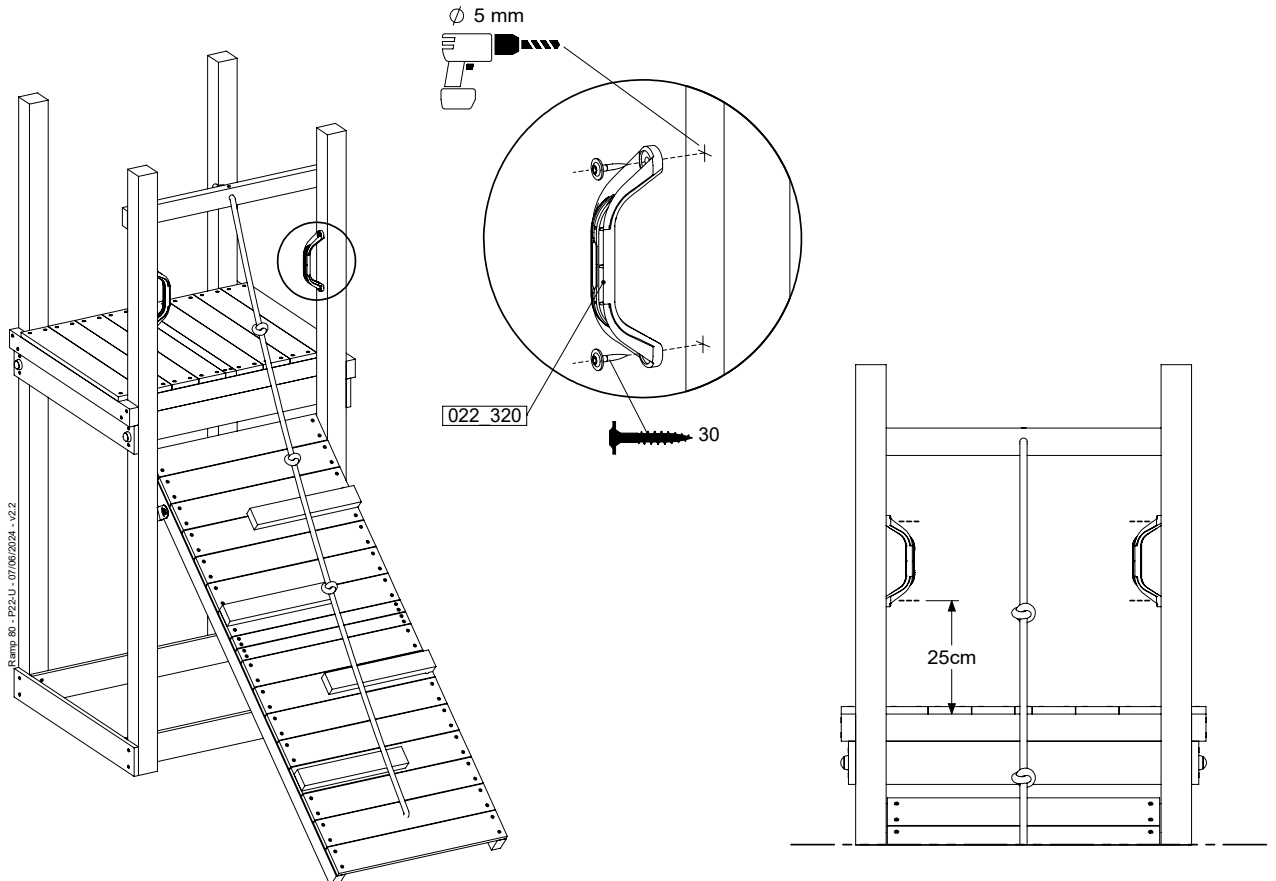
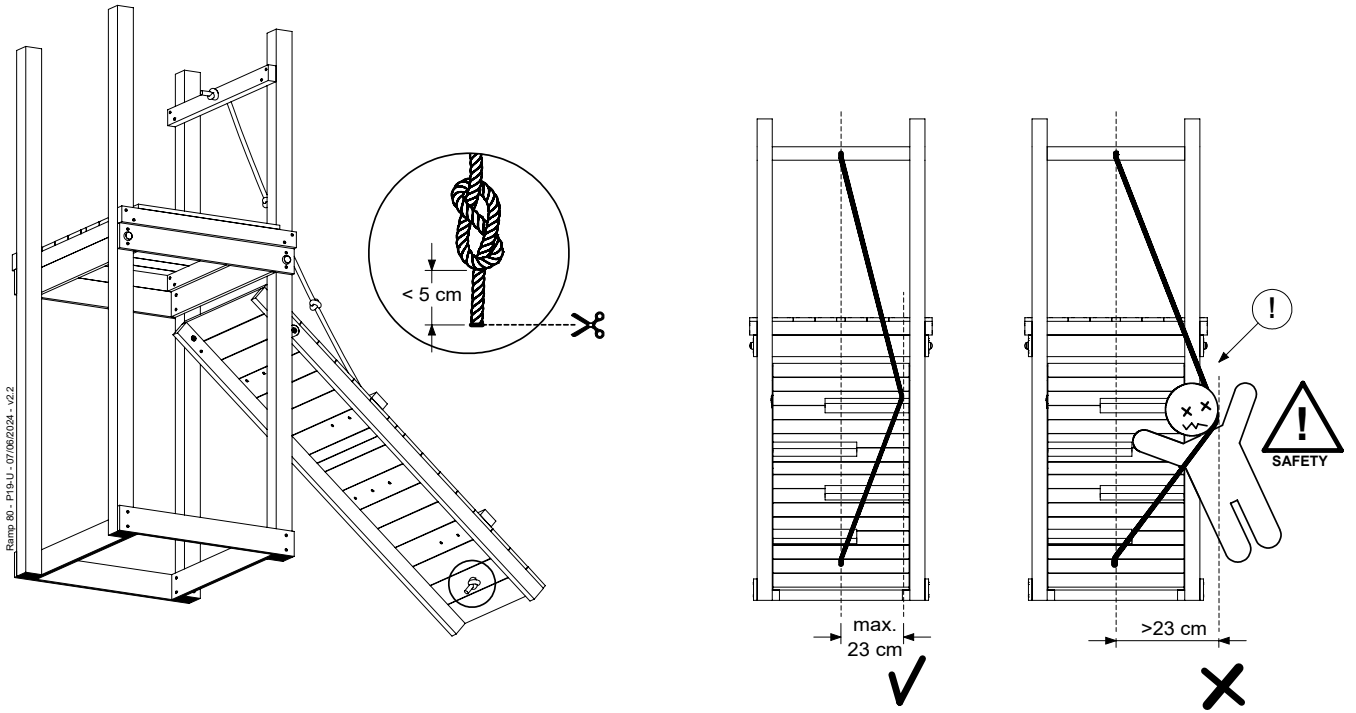
	PartNo	PartName	QTY.
Hardware + Parts	001_404	Stealth Screw 8x30	2
	001_417	Stealth Screw 8x80	2
	002_220	Gap Point Screw T25 - 5x45	85
	002_223	Gap Point Screw T25 - 5x80	6
	005_514	Ladder Bracket	1
	020_317	Rope Polyester 16mm Green 3.4m	1
	120_102	Handgrip set (2x Complete)	1
Timber	C37	Beam 370 mm	4
	C74	Beam 740 mm	1
	C154	Beam 1540 mm	2
	D60	Board 600 mm	18

Ramp 80 - P03-U - 07/06/2024 - v2.2







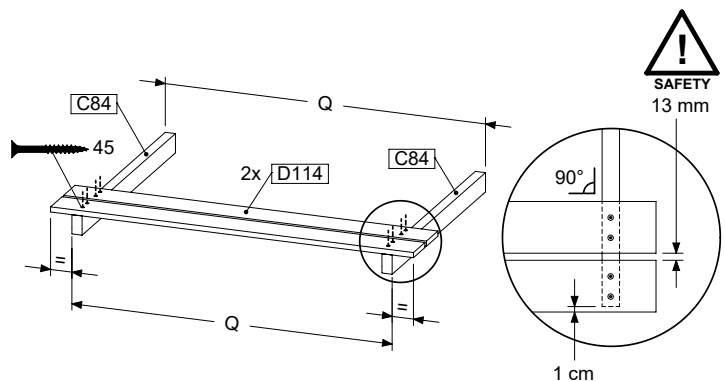
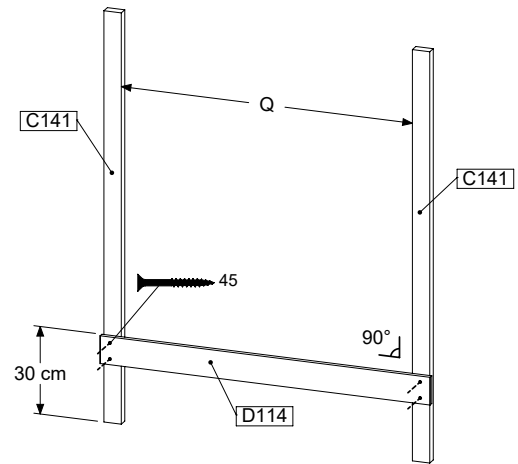
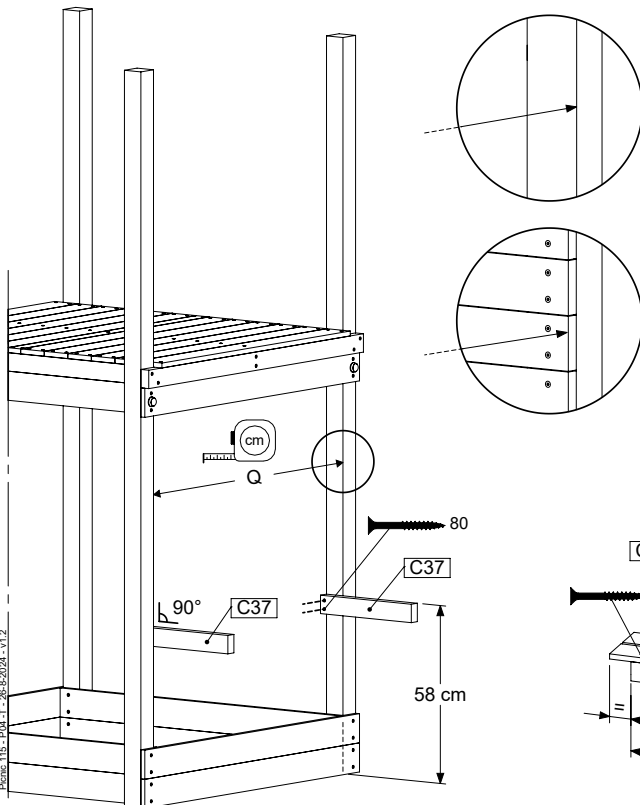
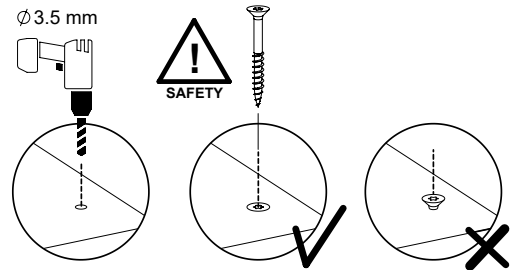
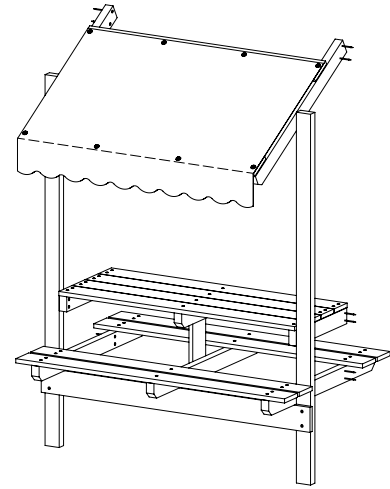


# 14 PC06a: Picnic 115 T

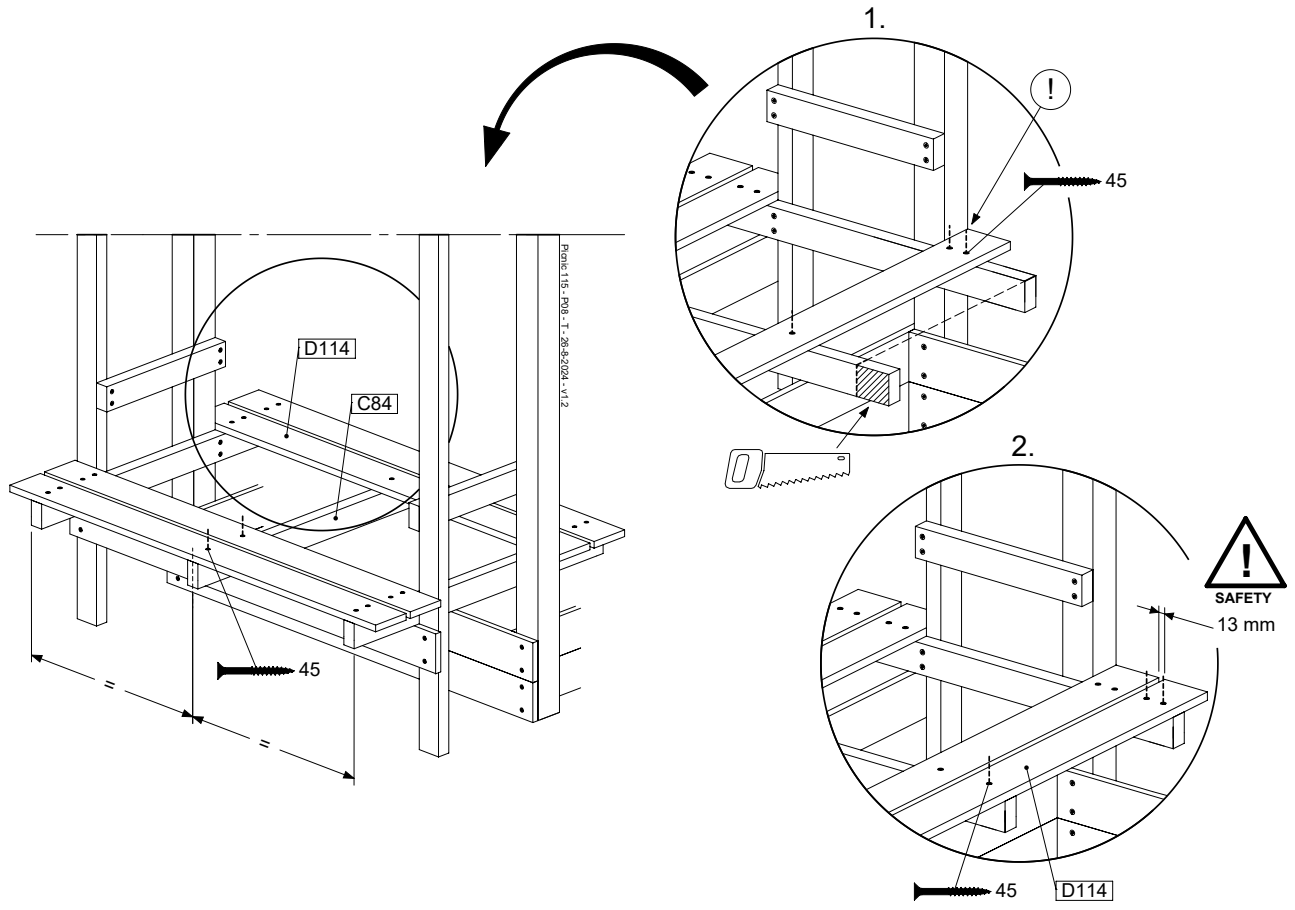
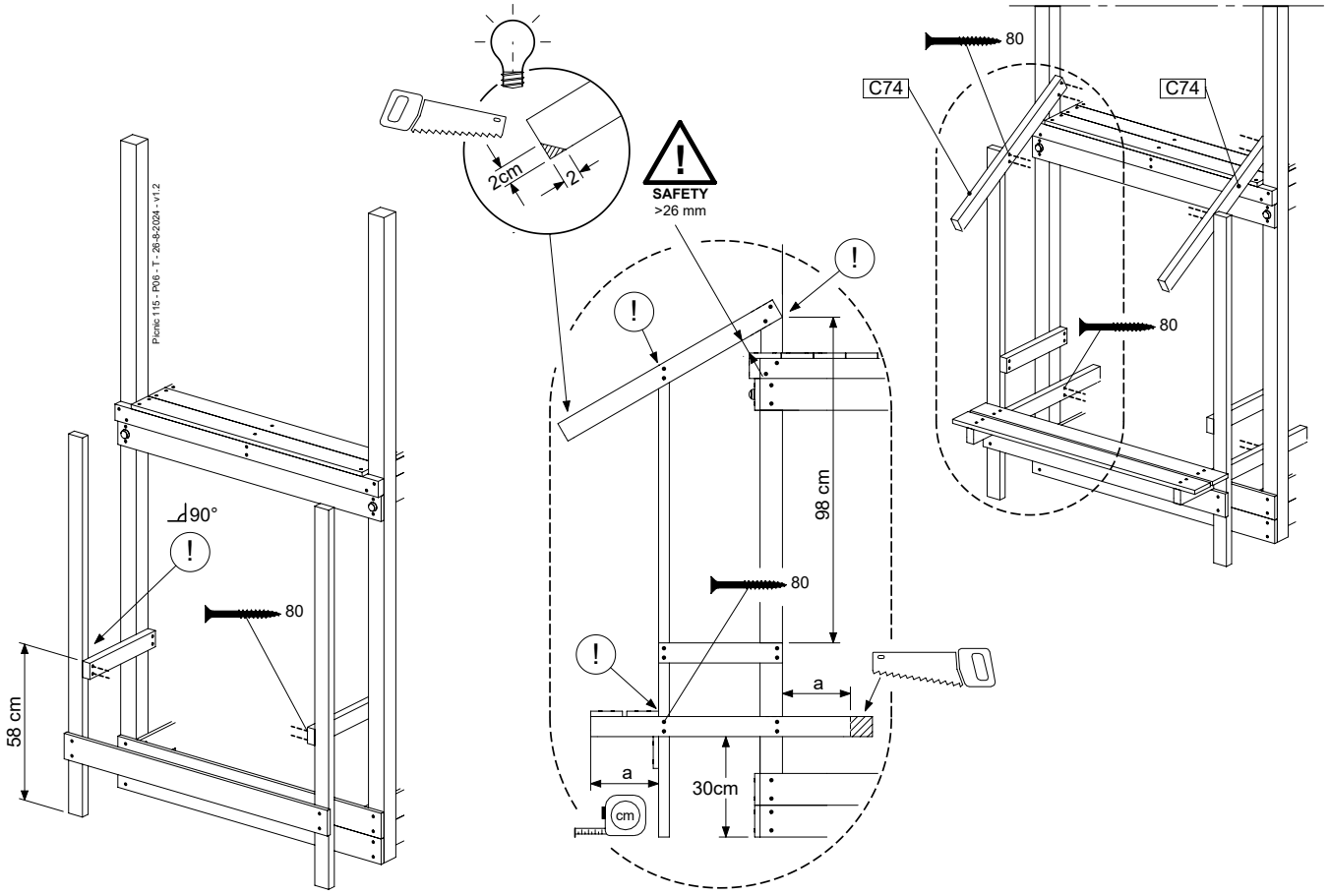
Assembly Pack: 194\_810

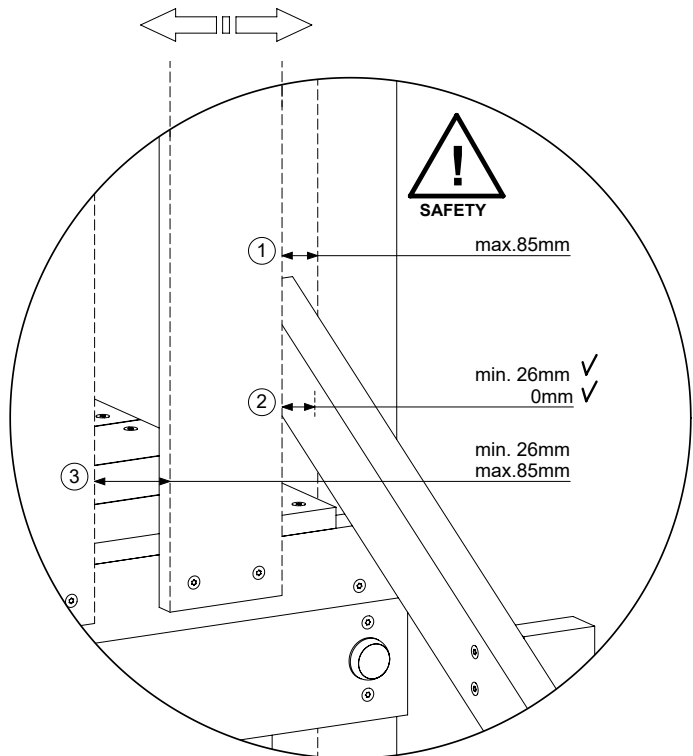
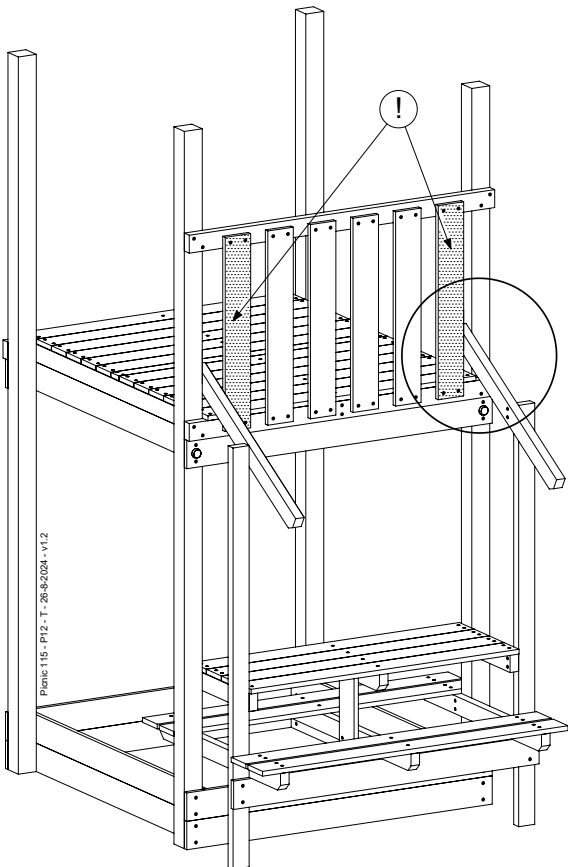
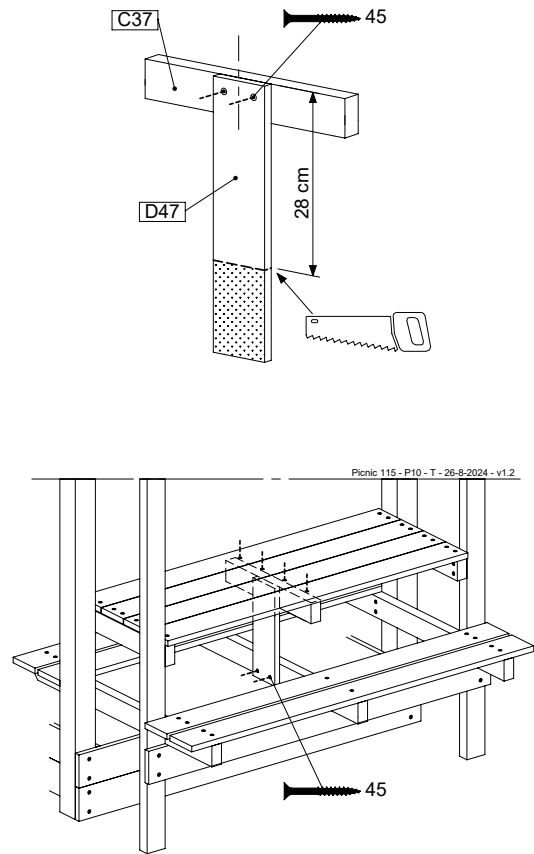
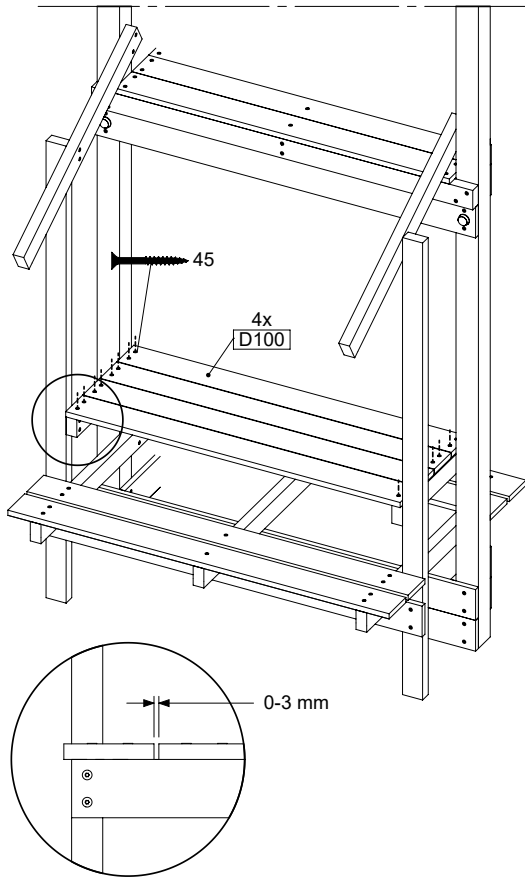
	PartNo	PartName	QTY.
Hardware + Parts	002_220	Gap Point Screw T25 - 5x45	56
	002_223	Gap Point Screw T25 - 5x80	24
	002_308	Gap Point Screw T25 - 5x20	8
	023_031	Finishing Washer GPS 5.0	8
	123_220	Canvas sheet 735x1365mm	1
Timber	C37	Beam 370 mm	3
	C74	Beam 740 mm	2
	C84	Beam 840 mm	3
	C141	Beam 1410 mm	2
	D47	Board 470 mm	1
	D100	Board 1000 mm	6
	D114	Board 1140 mm	5

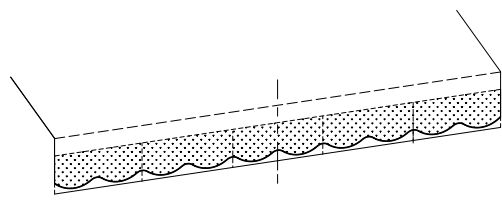
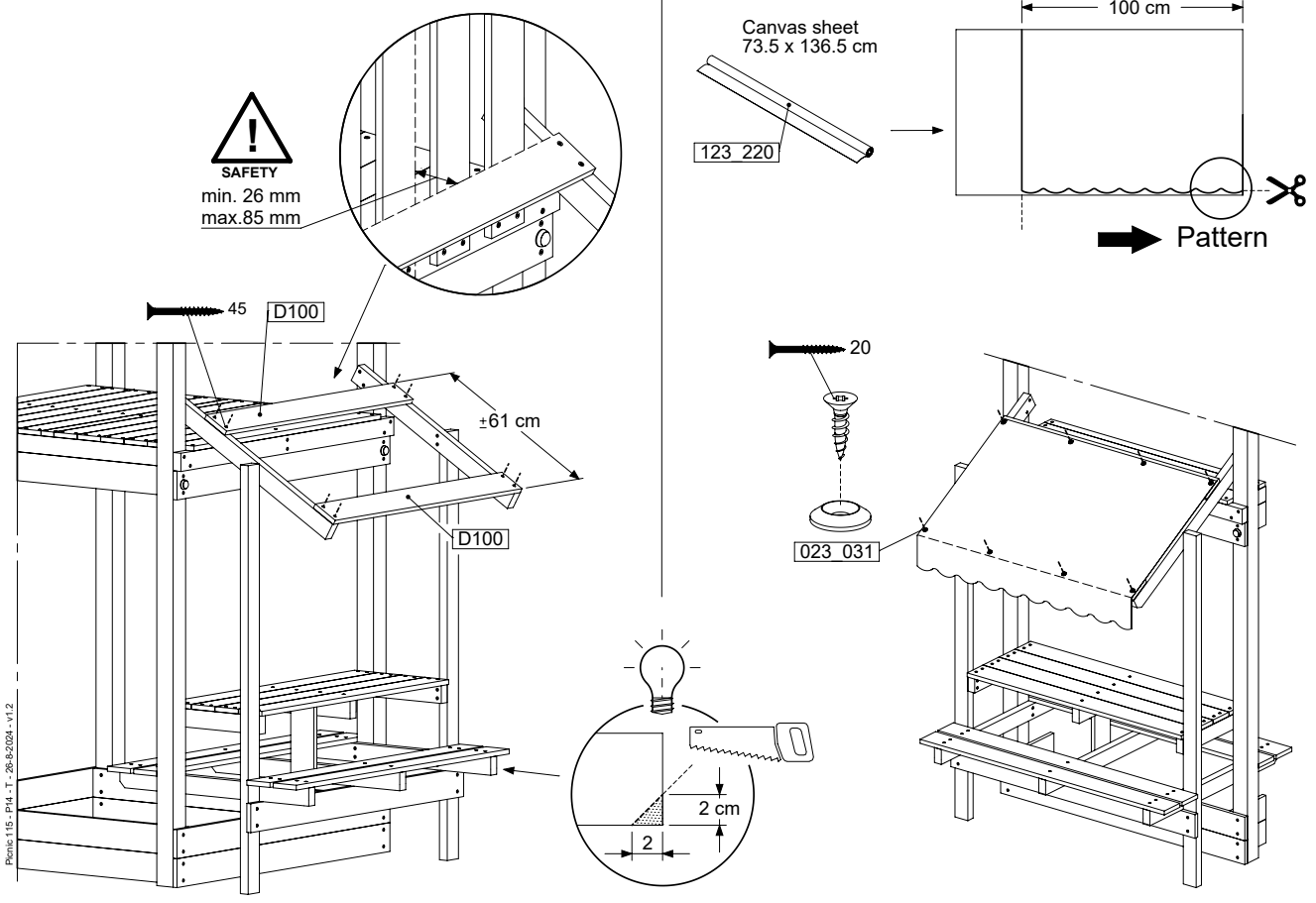
Picnic 115 - P02 - UJT - 26-8-2024 - v1.2



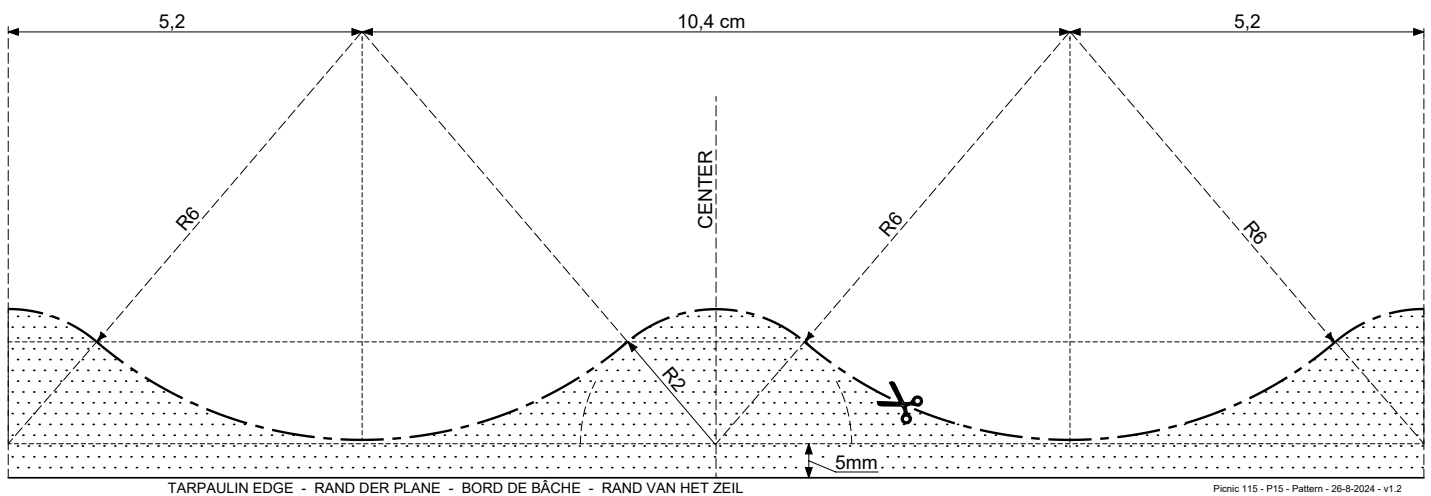
# 14.1







EXAMPLE PATTERN  
 BEISPIELVORLAGE FÜR MARKISE  
 SCHÉMA SUGGÉRÉ DE DÉCOUPE POUR AUVENT  
 VORBEELDSJABLOON LUIFEL



← repeat

repeat →

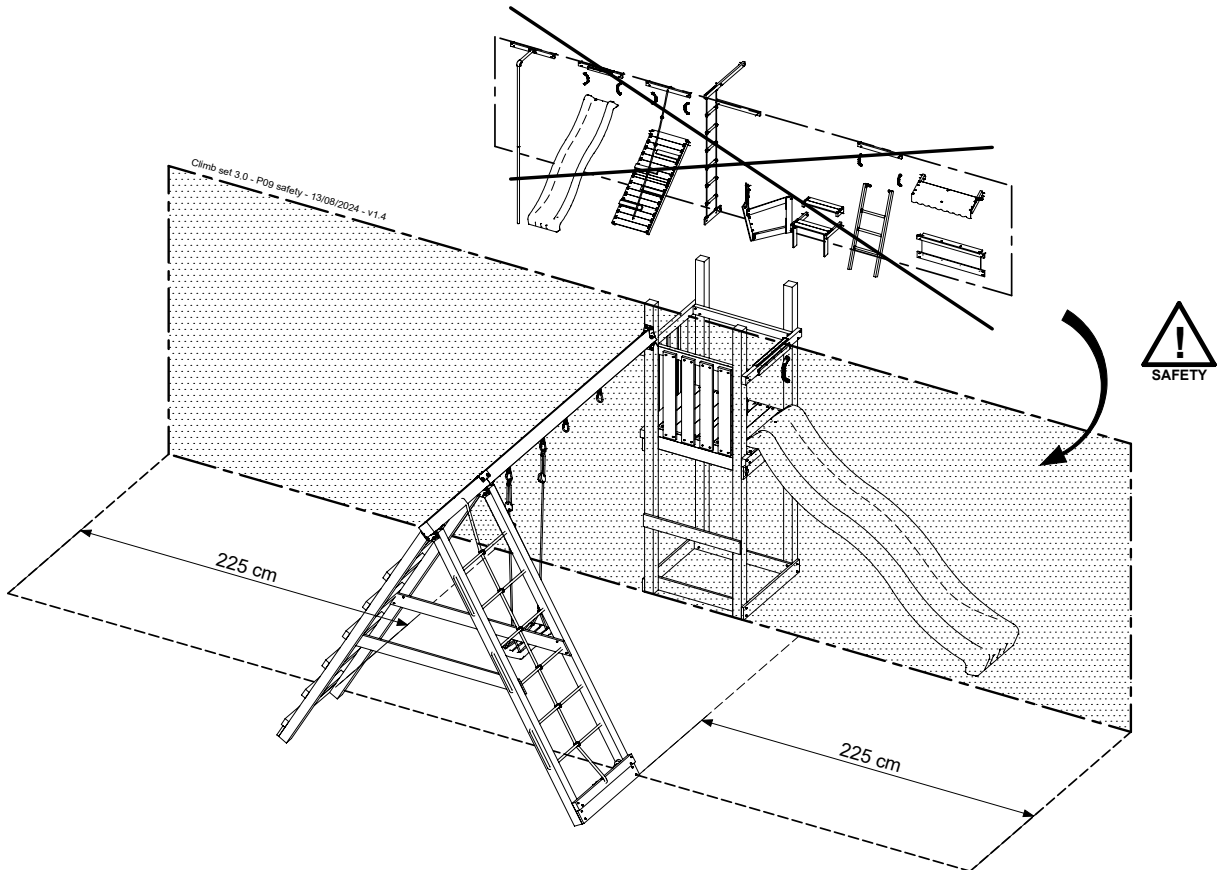
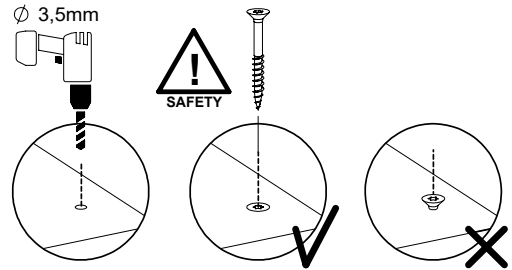
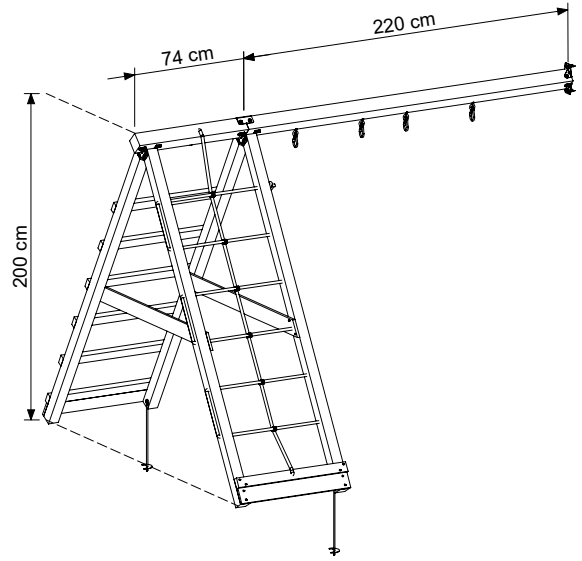
! Scale of print may not be accurate.  
 Druckformat kann abweichen.  
 Les tailles imprimées peuvent varier.  
 Printformaat kan afwijken.

# 15 CL06a: 2- Climb Module 200 - 3.0

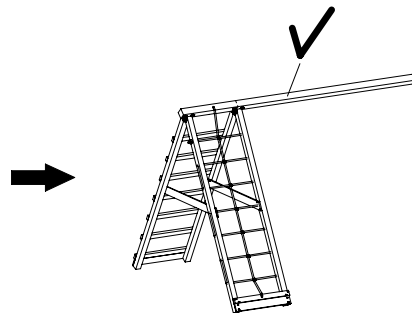
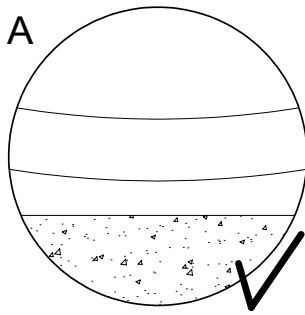
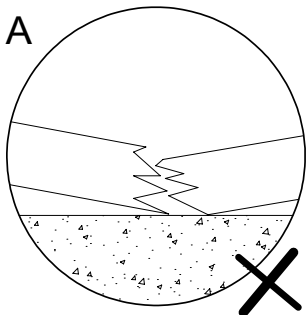
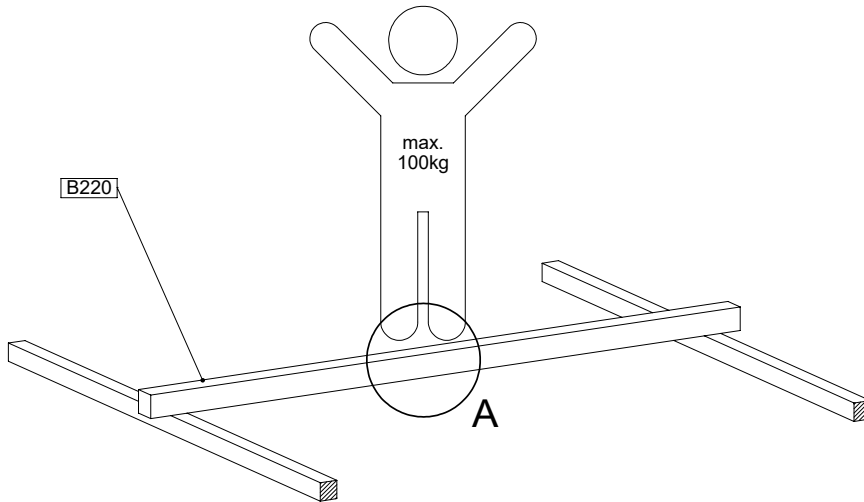
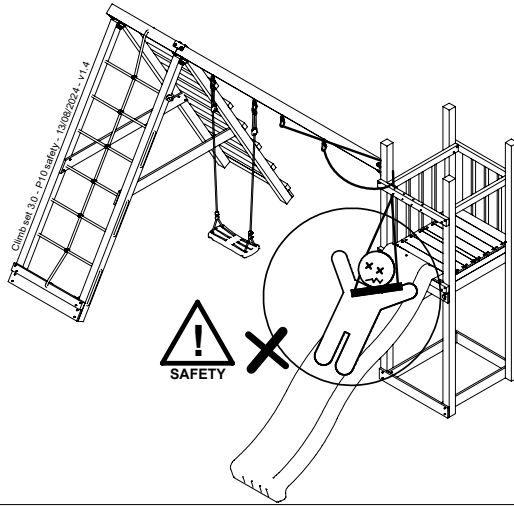
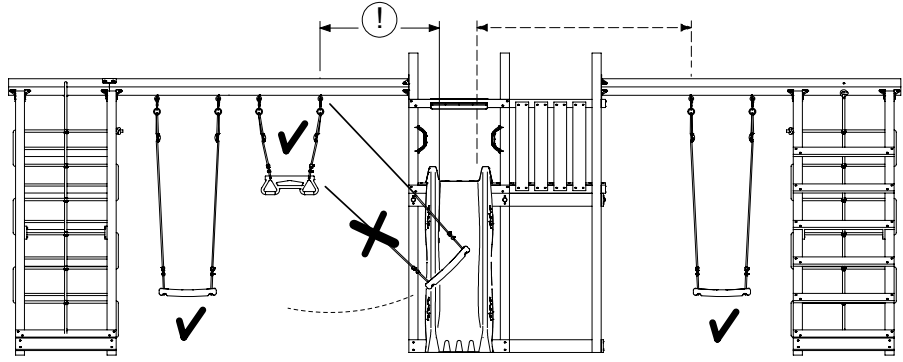
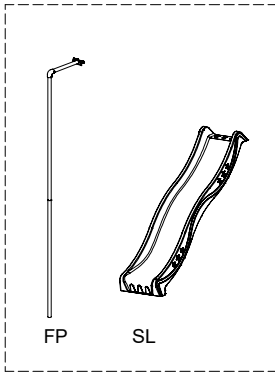
Assembly Kit: 457\_107

	PartNo	PartName	QTY.
Hardware + Parts	001_404	Stealth Screw 8x30	4
	001_406	Stealth Screw 8x45	34
	001_417	Stealth Screw 8x80	2
	002_220	Gap Point Screw T25 - 5x45	34
	002_223	Gap Point Screw T25 - 5x80	31
	002_301	Dry Wall Screw PH2 3.9 x 40 mm	6
	023_042	Nylon washer 9x19x1.5	36
	005_096	A-Frame V-Connector	4
	005_097	Swing V-Connector	2
	005_099	Climber Top Connector	1
	007_001	Ground-anchor	2
	020_317	Rope Polyester 16mm Green 3.4m	1
	020_318	Rope Polyester 16mm Green 8.1m	1
	022_455	Rope Cross Connector Egg	6
101_003	Swing hook with Carabiner	4	
Timber	A220	Post ca.70x70 L2200	4
	B74	Post ca.90x90 L740	1
	B220	Post ca.90x90 L2200	1
	C74	Beam 740 mm	7
	D74	Board 740 mm	2
	D141	Board 1410 mm	3

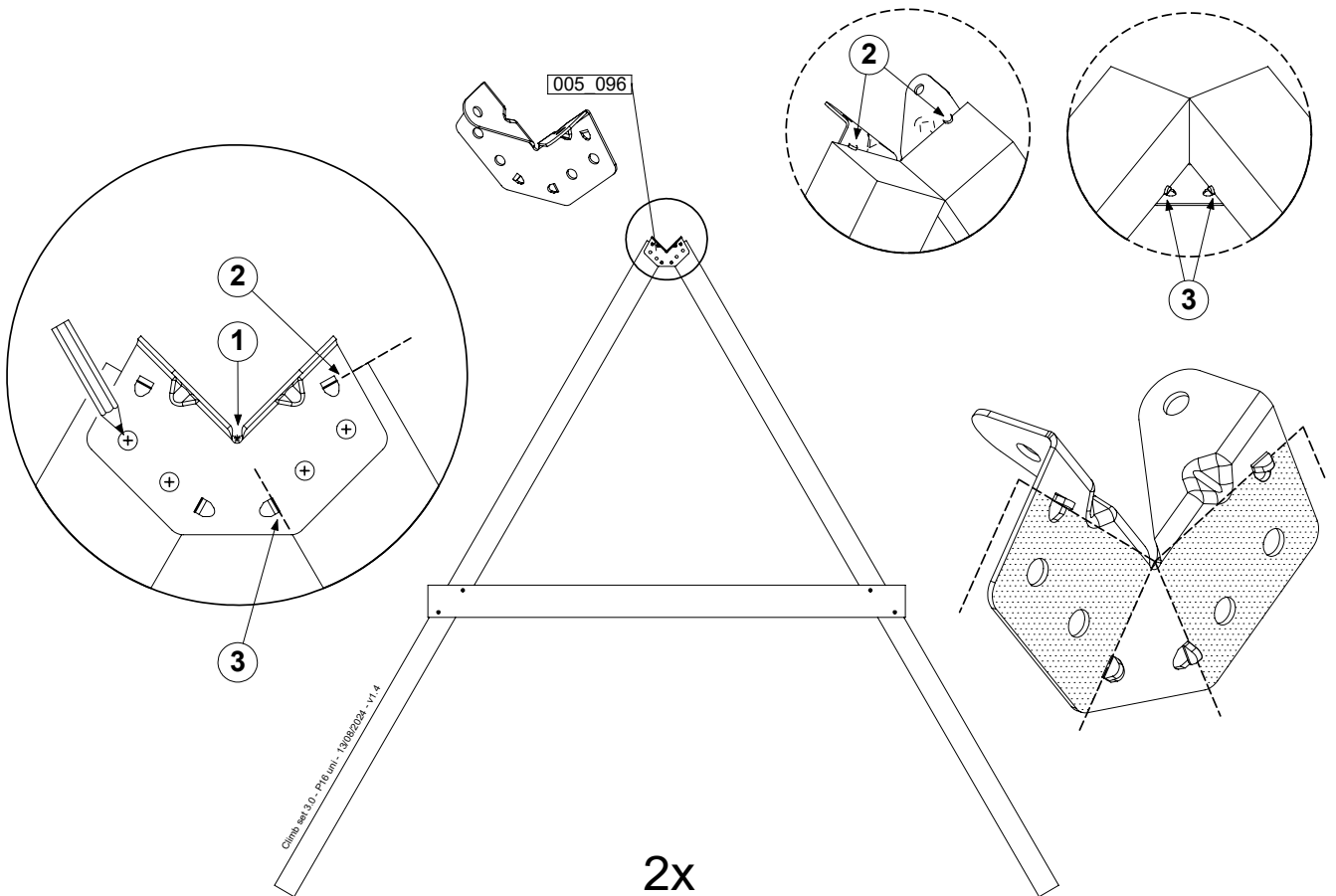
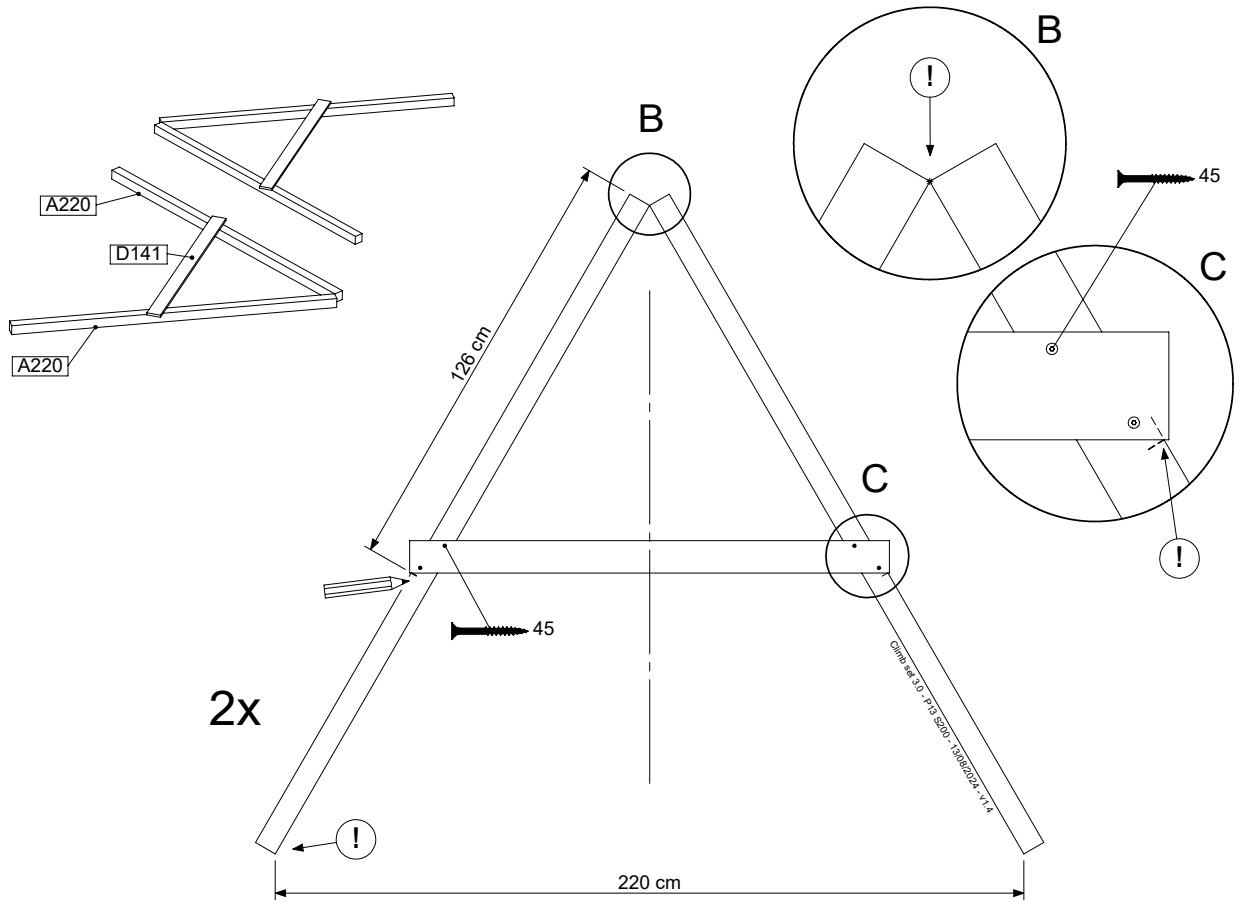
Climb set 3.0 - P04, 2C200 - 13/08/2024 - v1.4

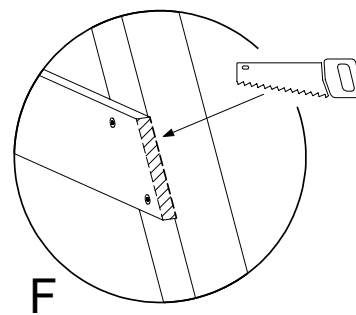
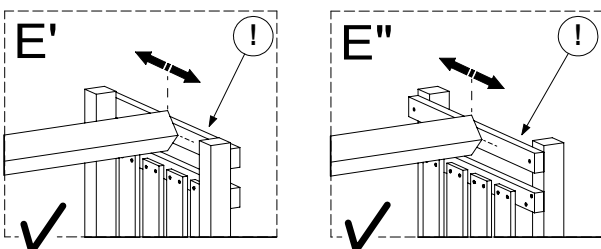
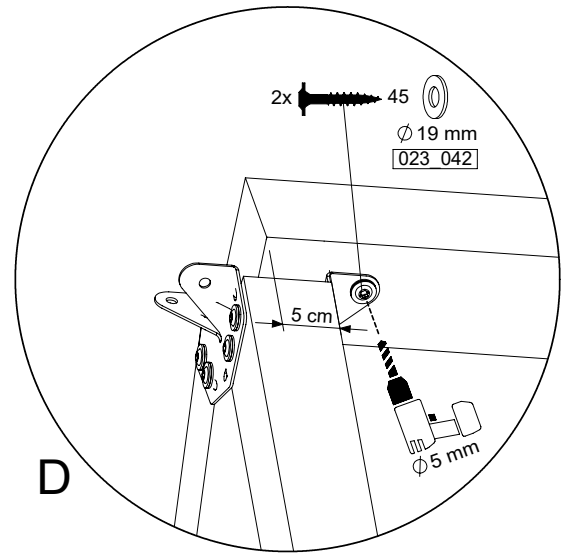
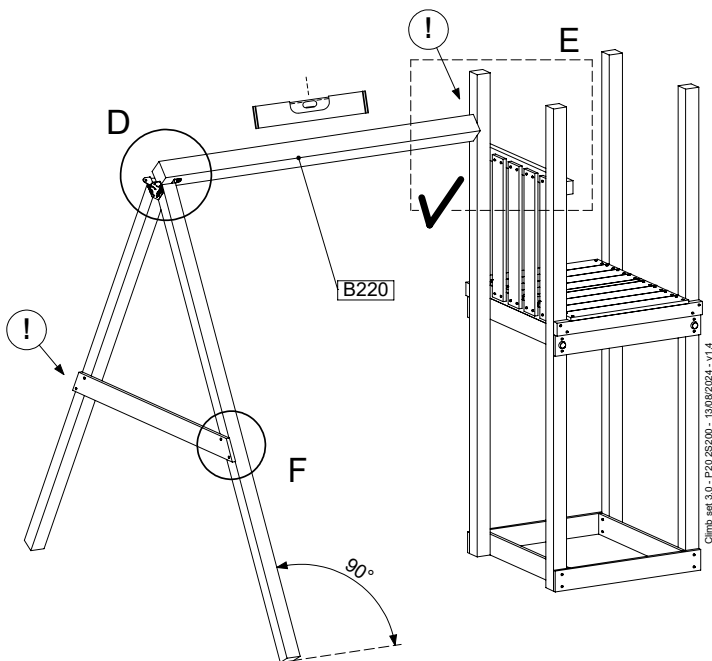
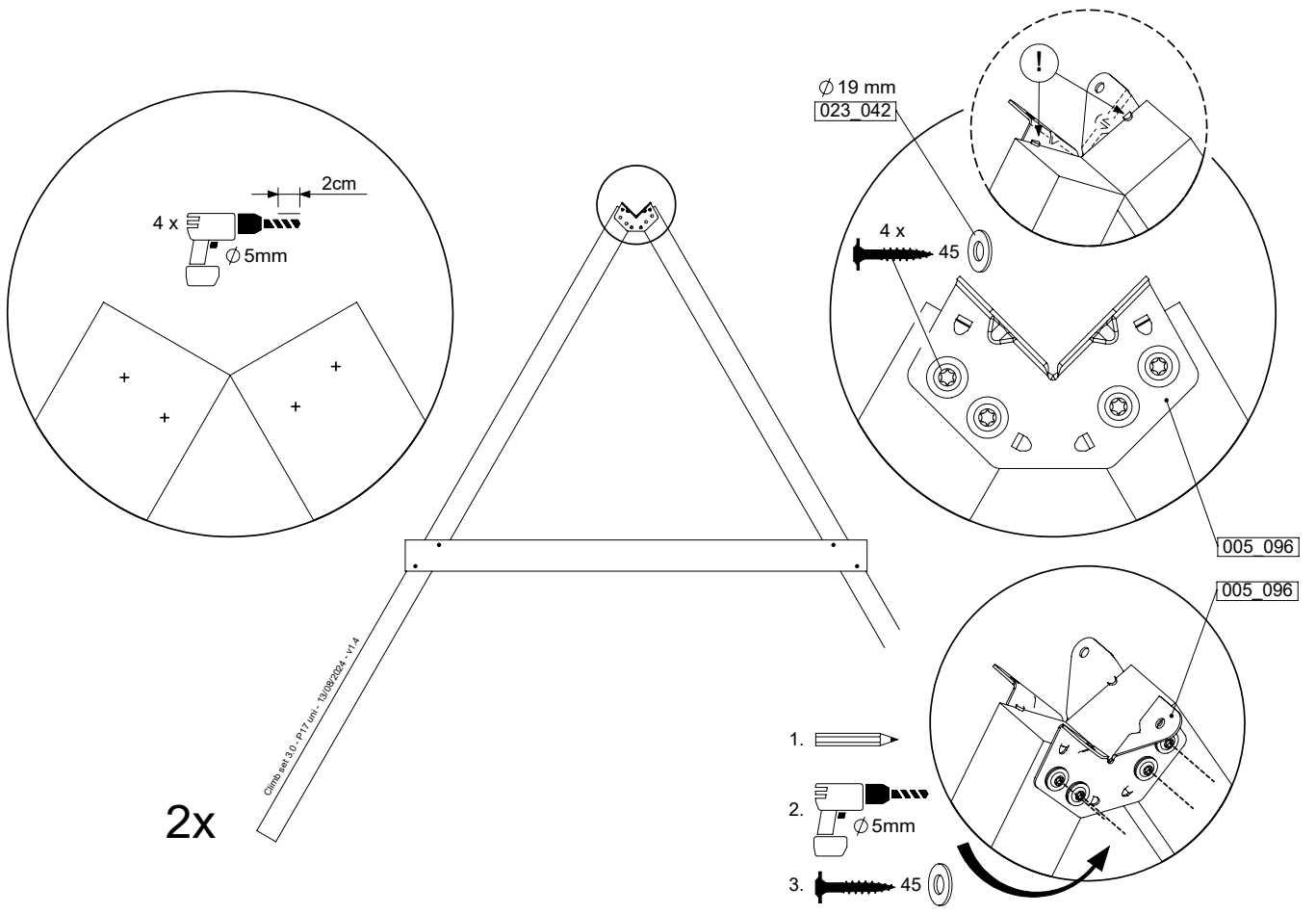


15.1

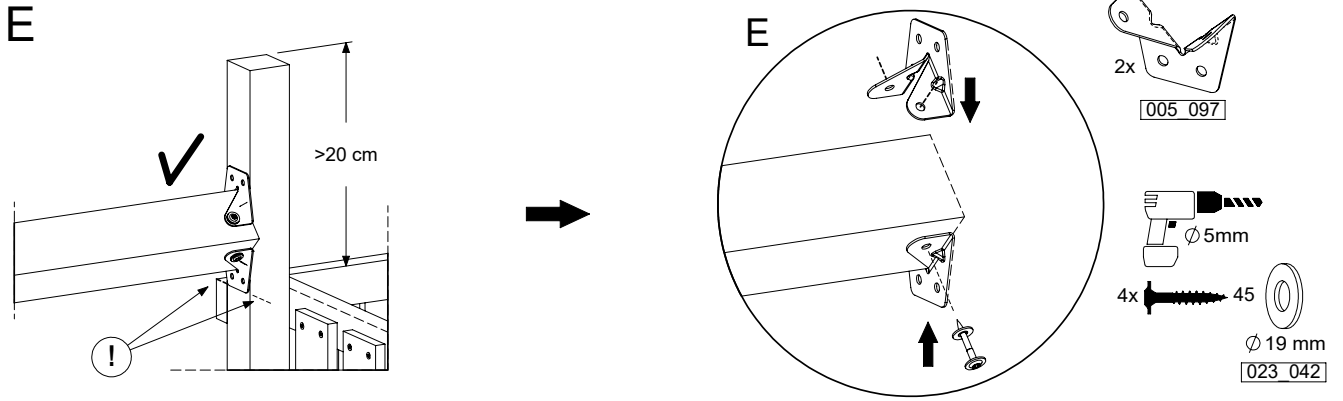


Climb set 3.0 - P11 C200 - 13082024 - v1.4

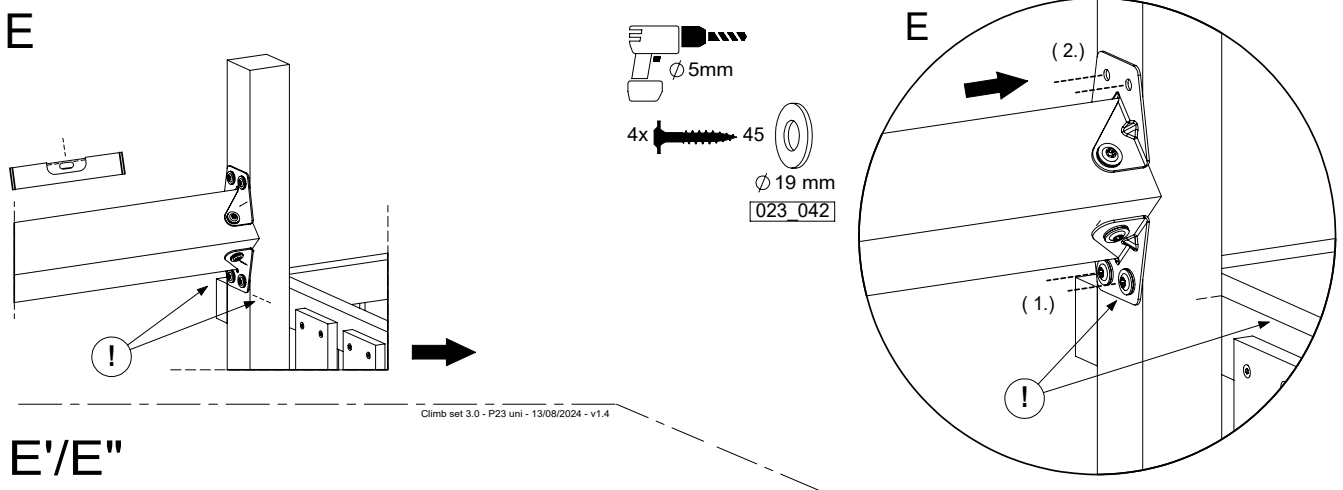
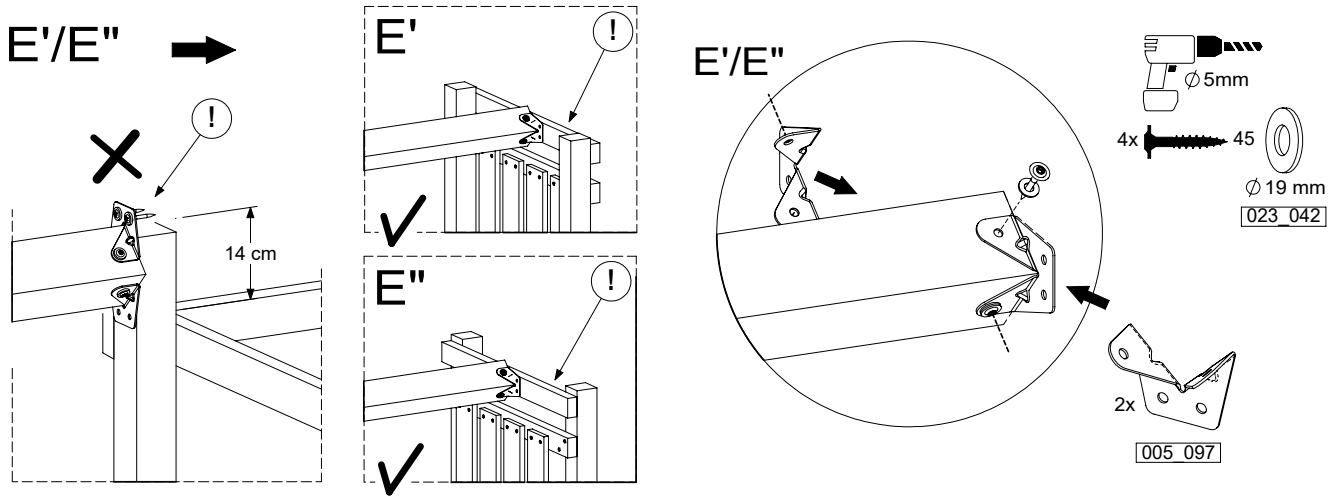




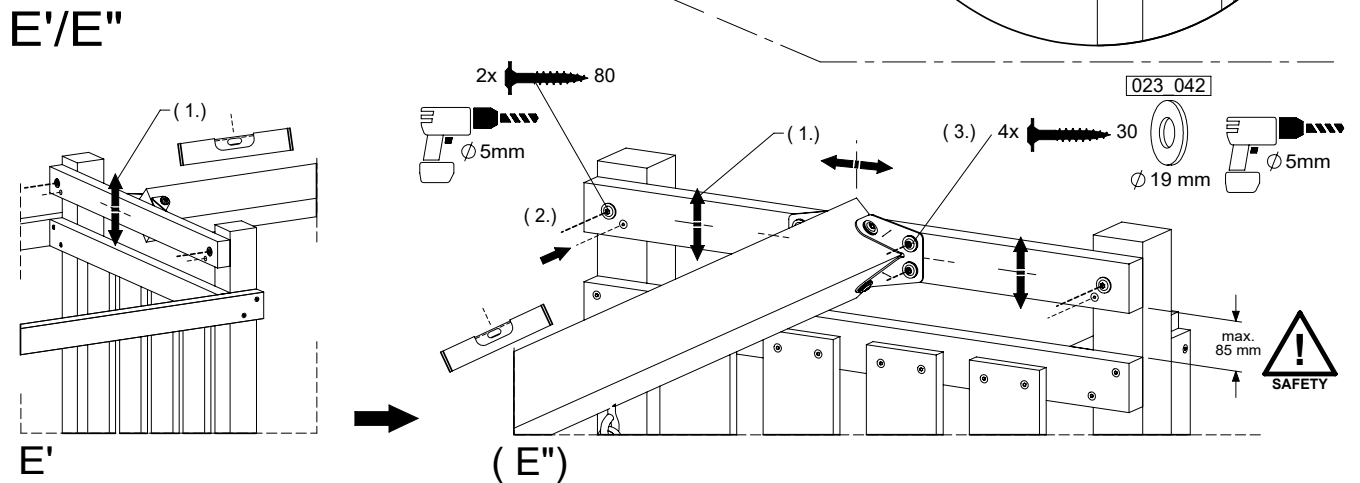
15.4

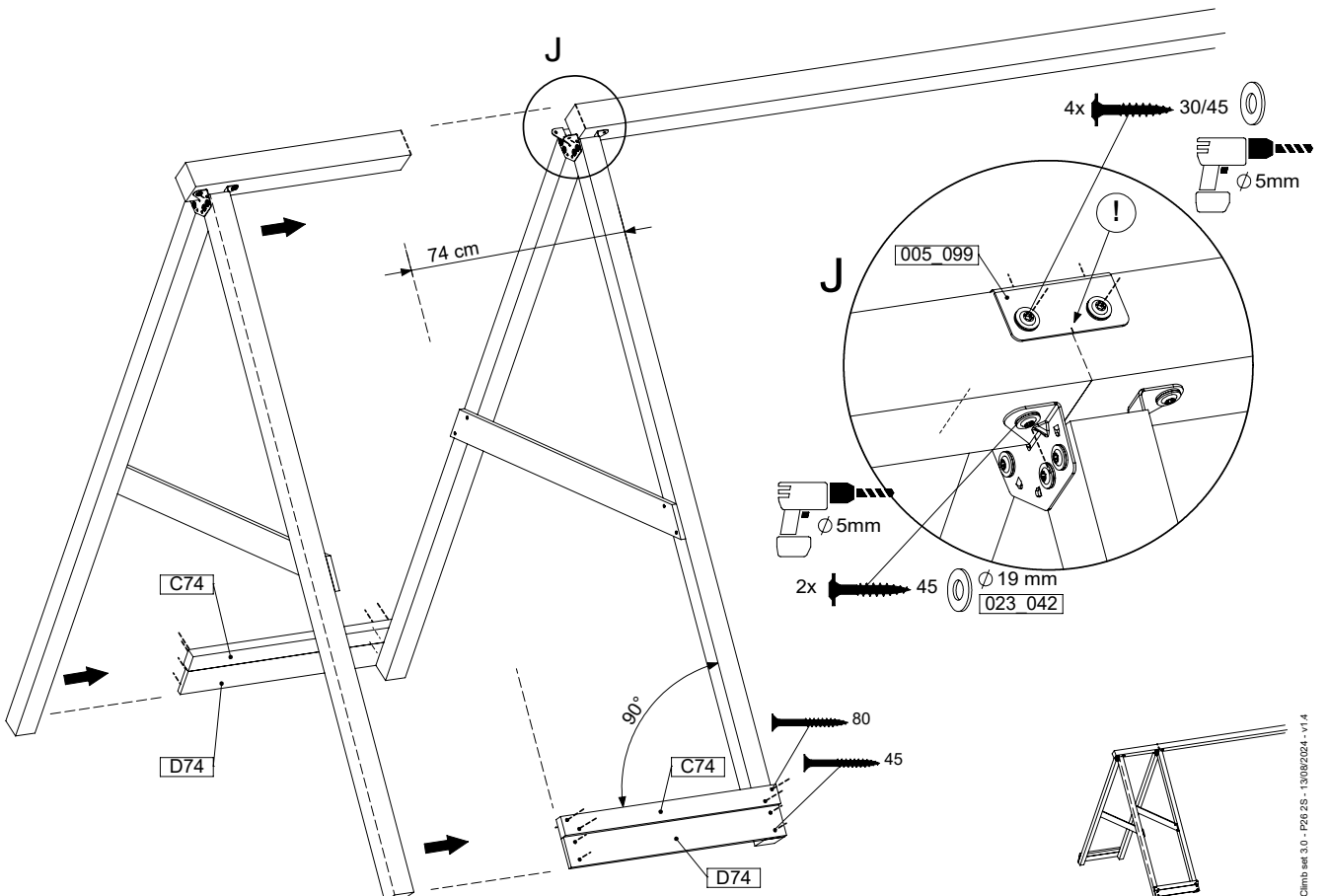
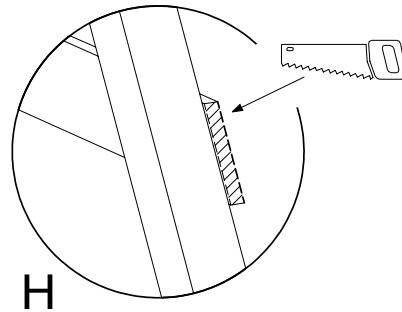
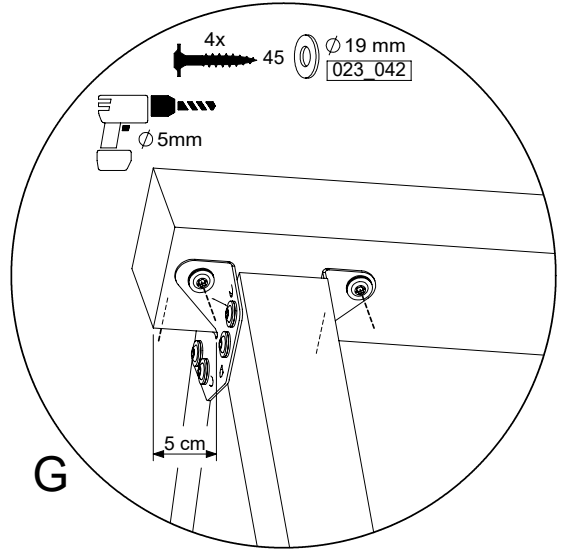
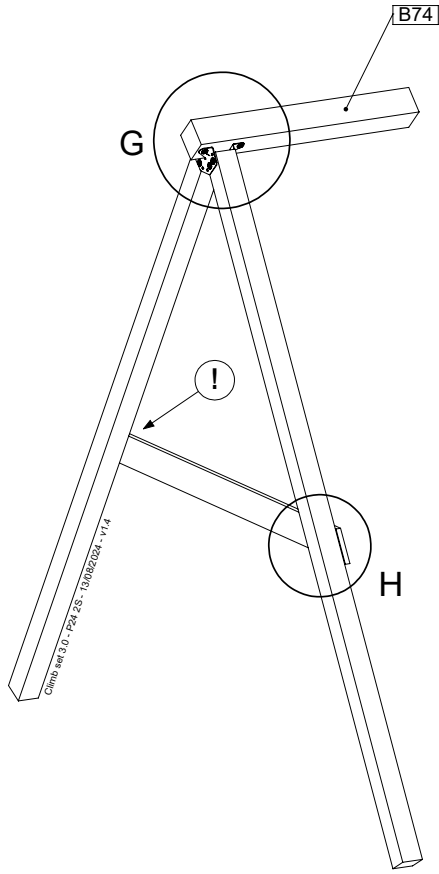


Climb set 3.0 - P22 uni - 13/08/2024 - v1.4

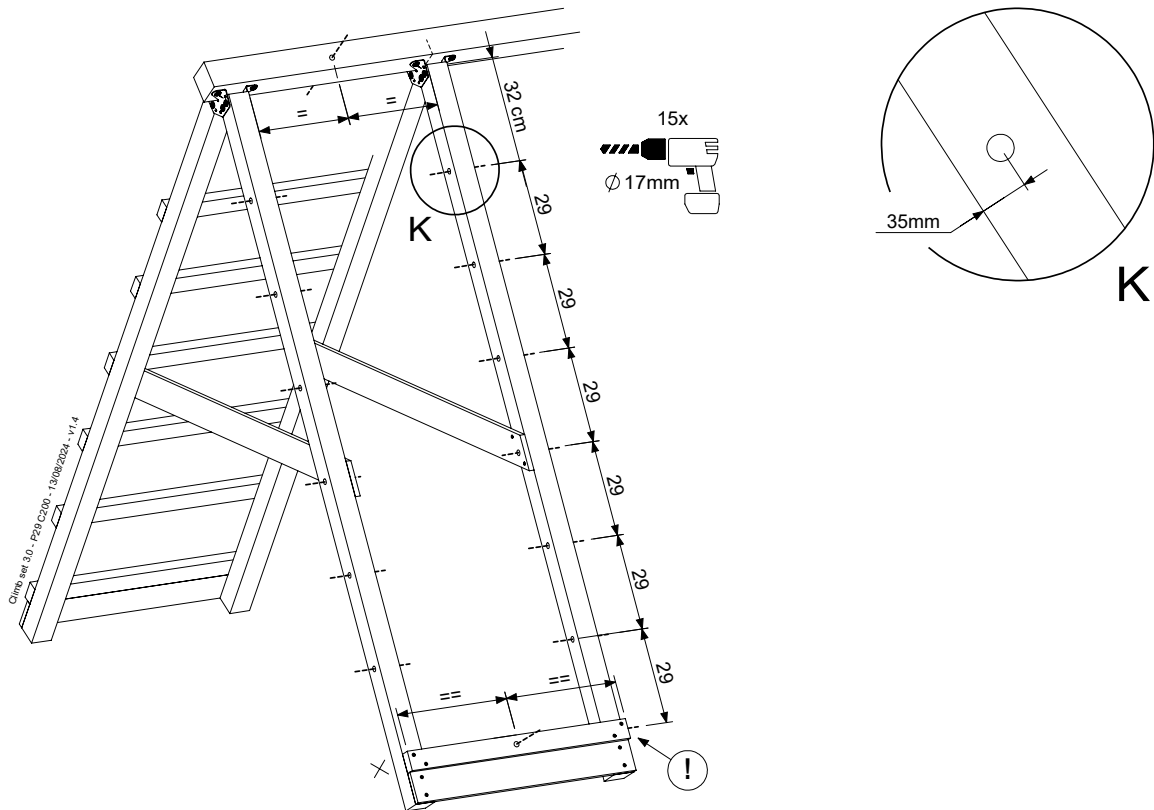
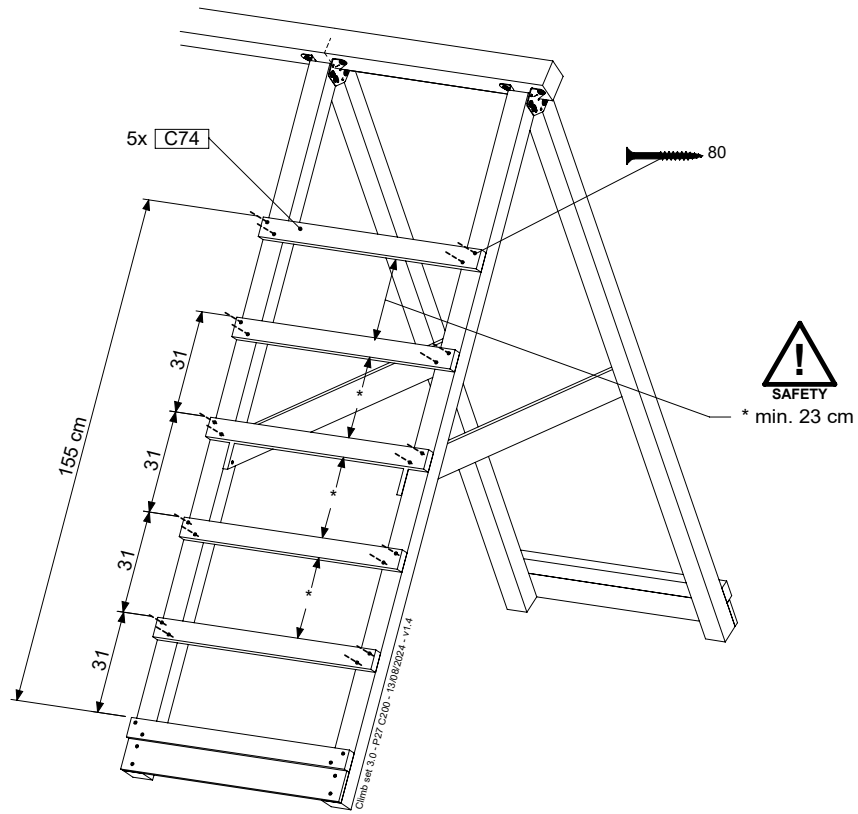


Climb set 3.0 - P23 uni - 13/08/2024 - v1.4

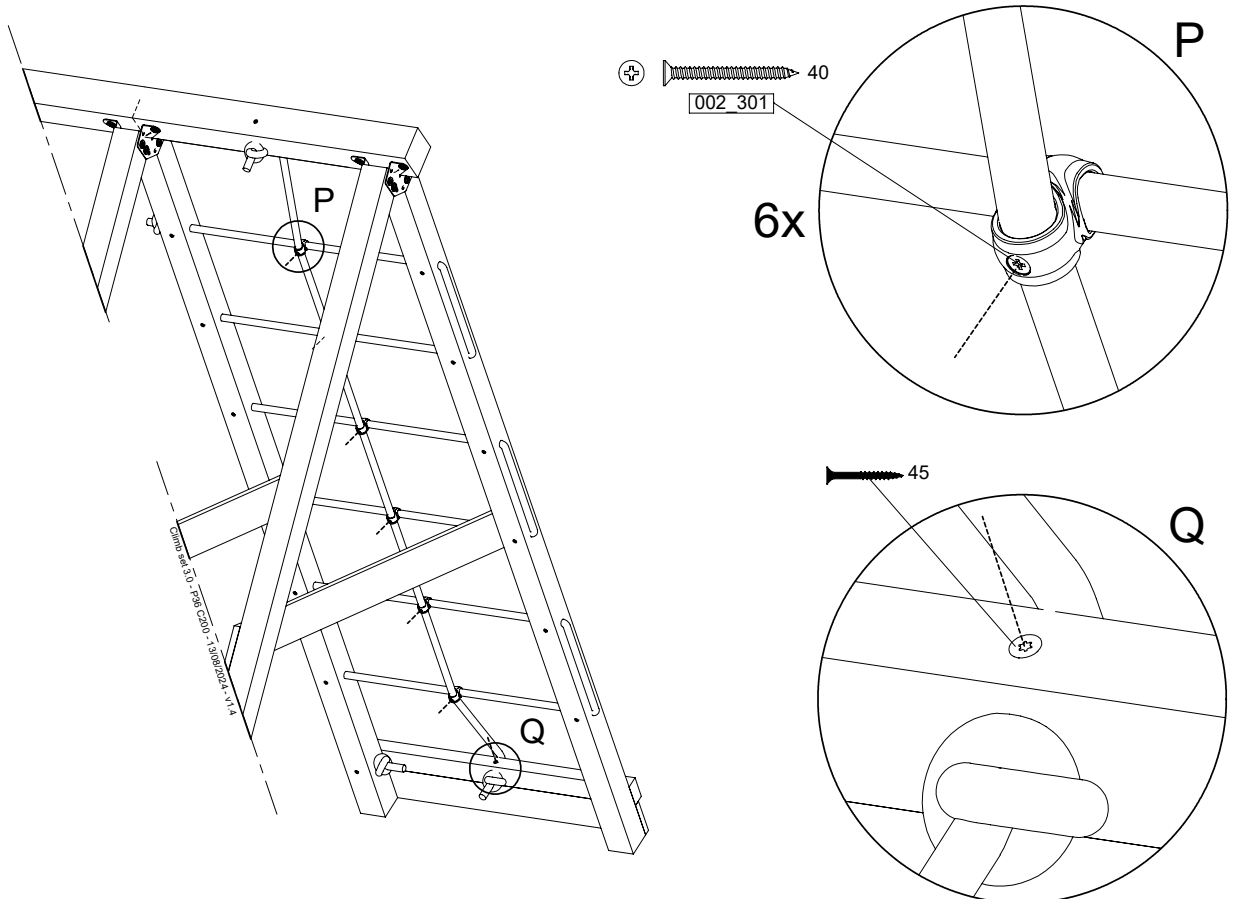
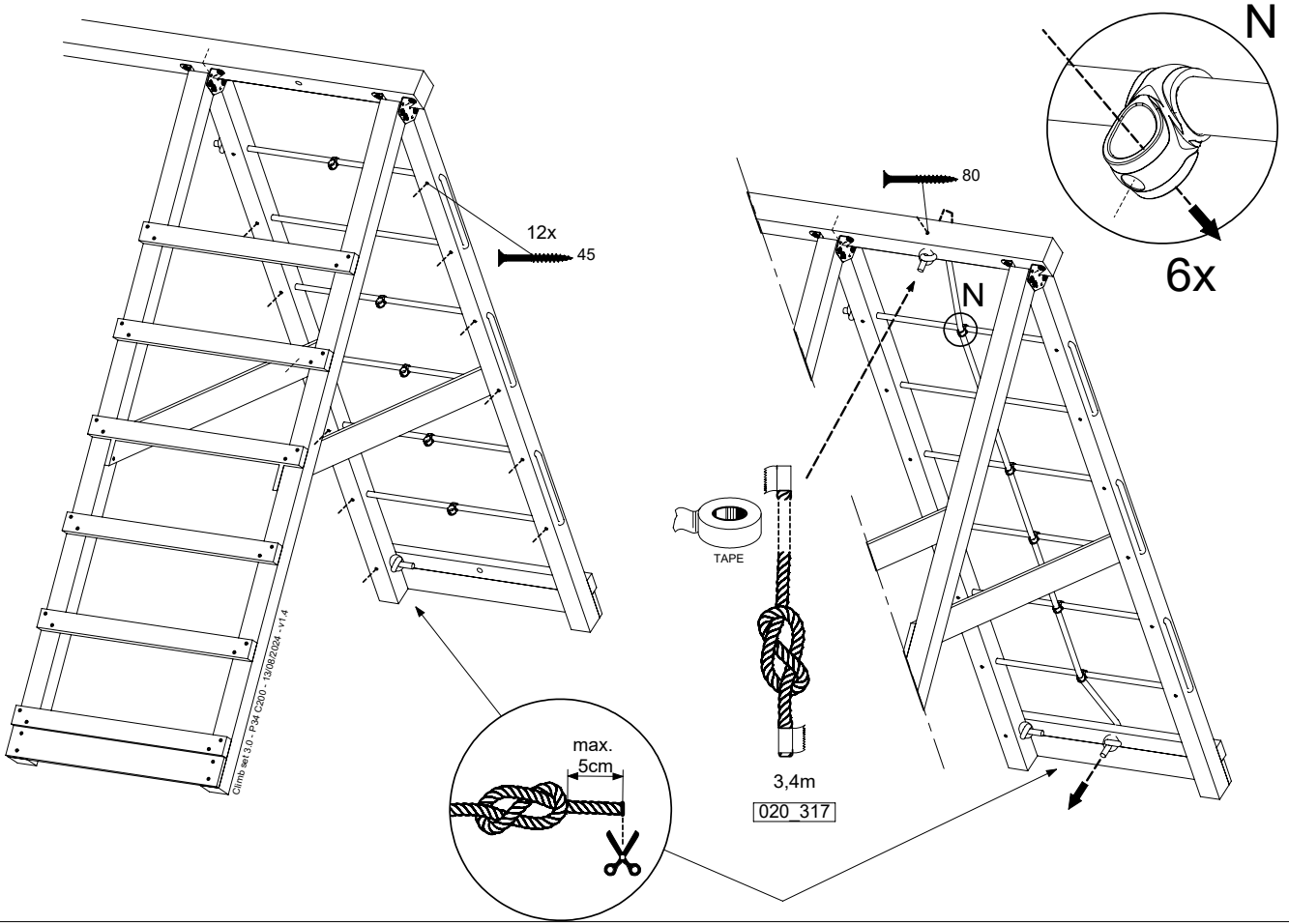




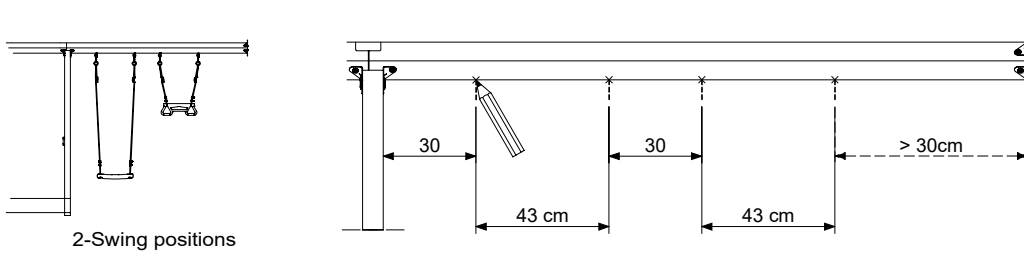
Climb set 3.0 - P26 2S - 13/09/2024 - V1.4



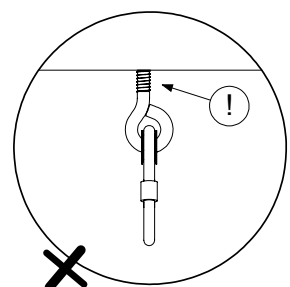
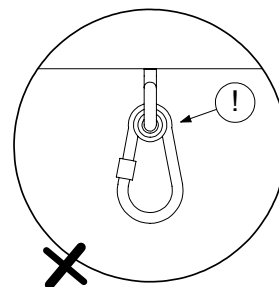
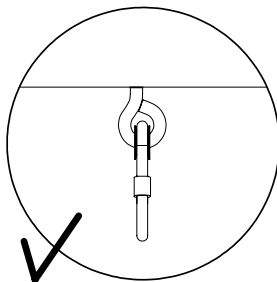
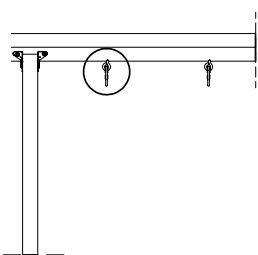
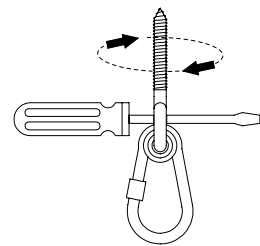
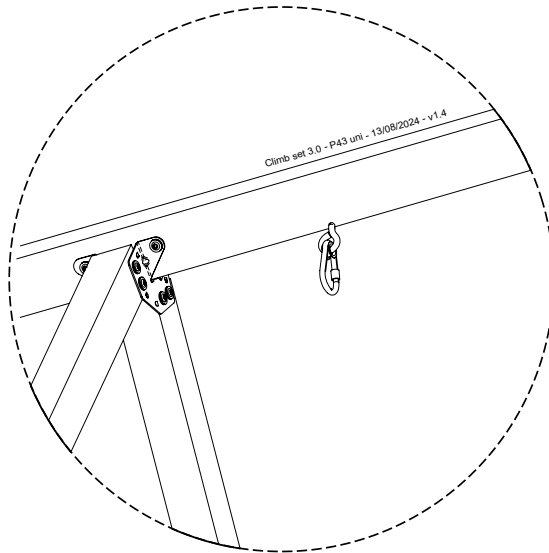
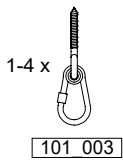
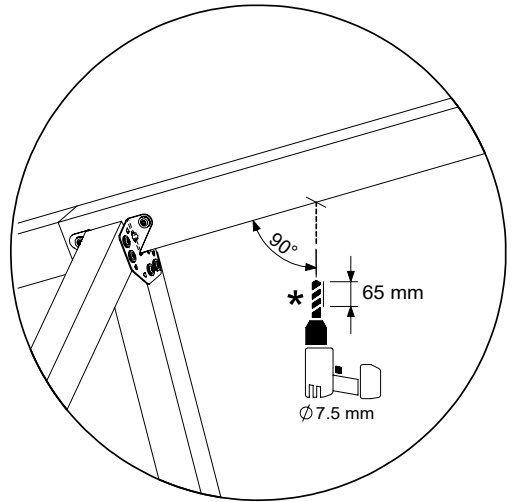
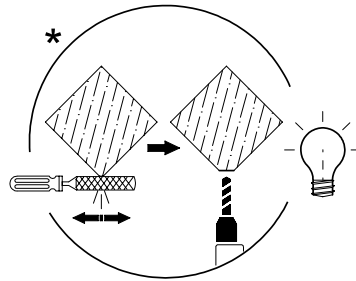
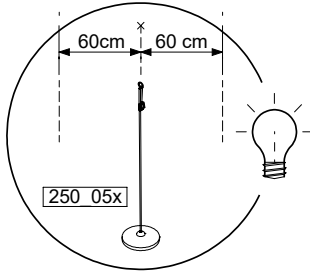


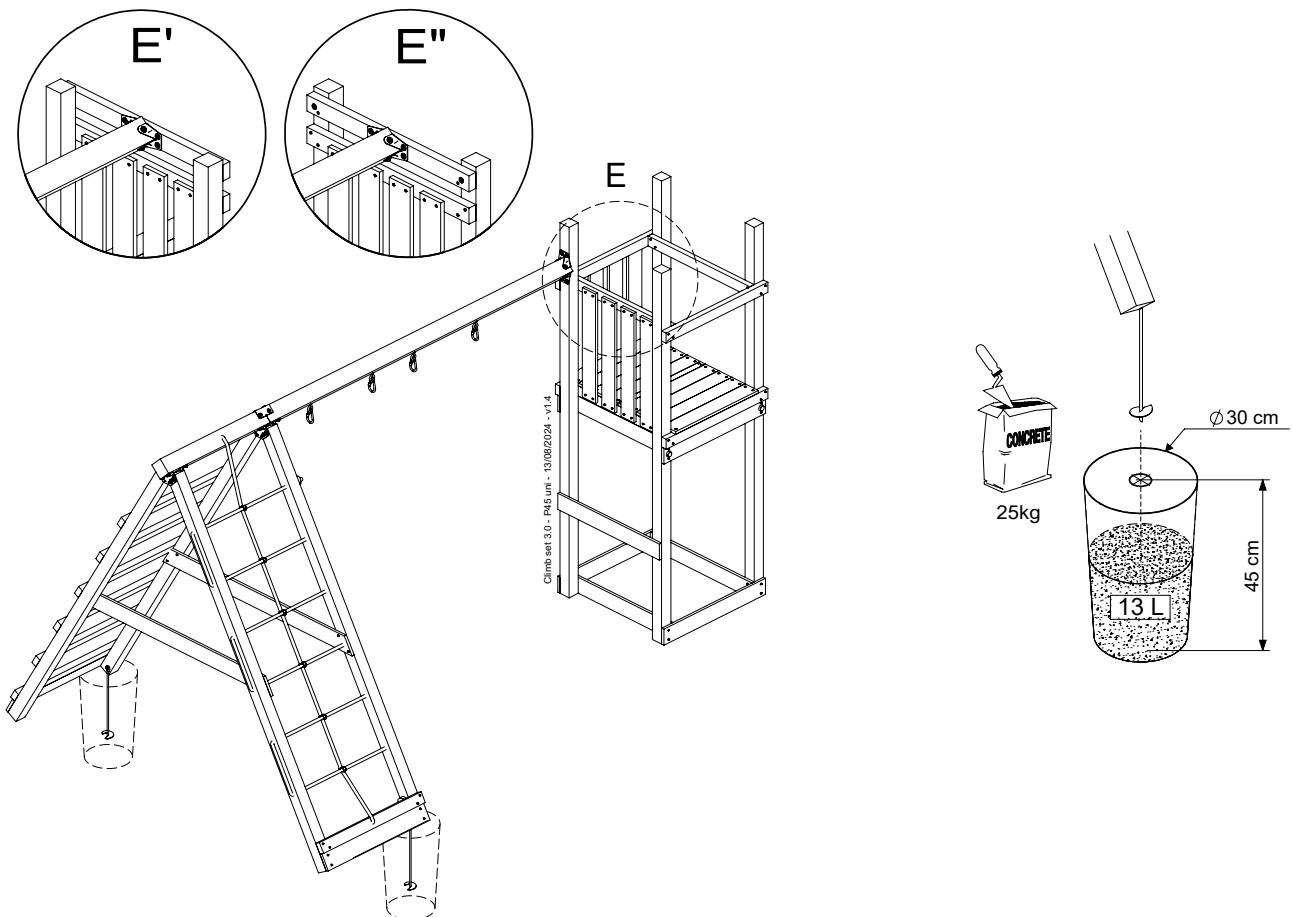
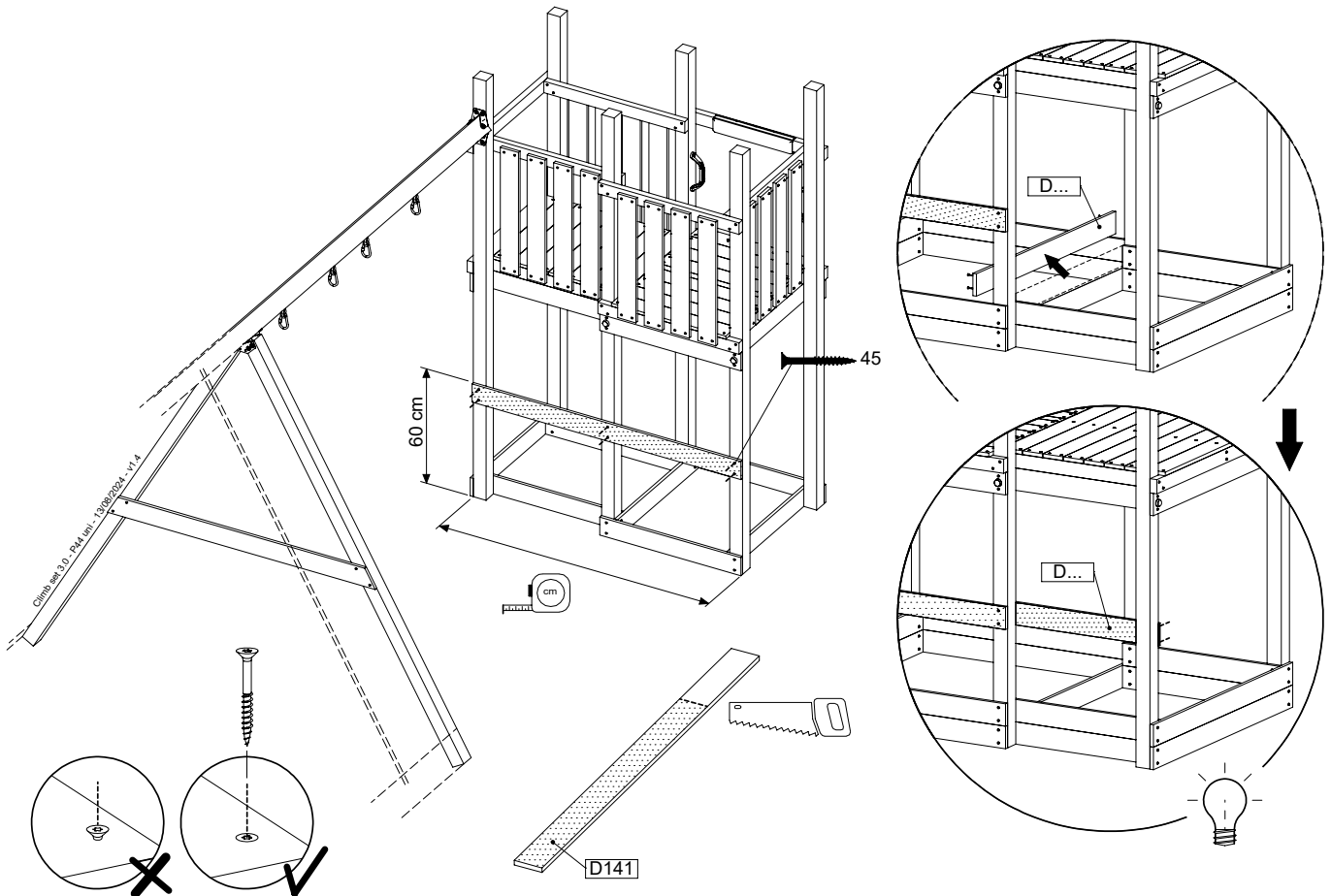


# 15.9

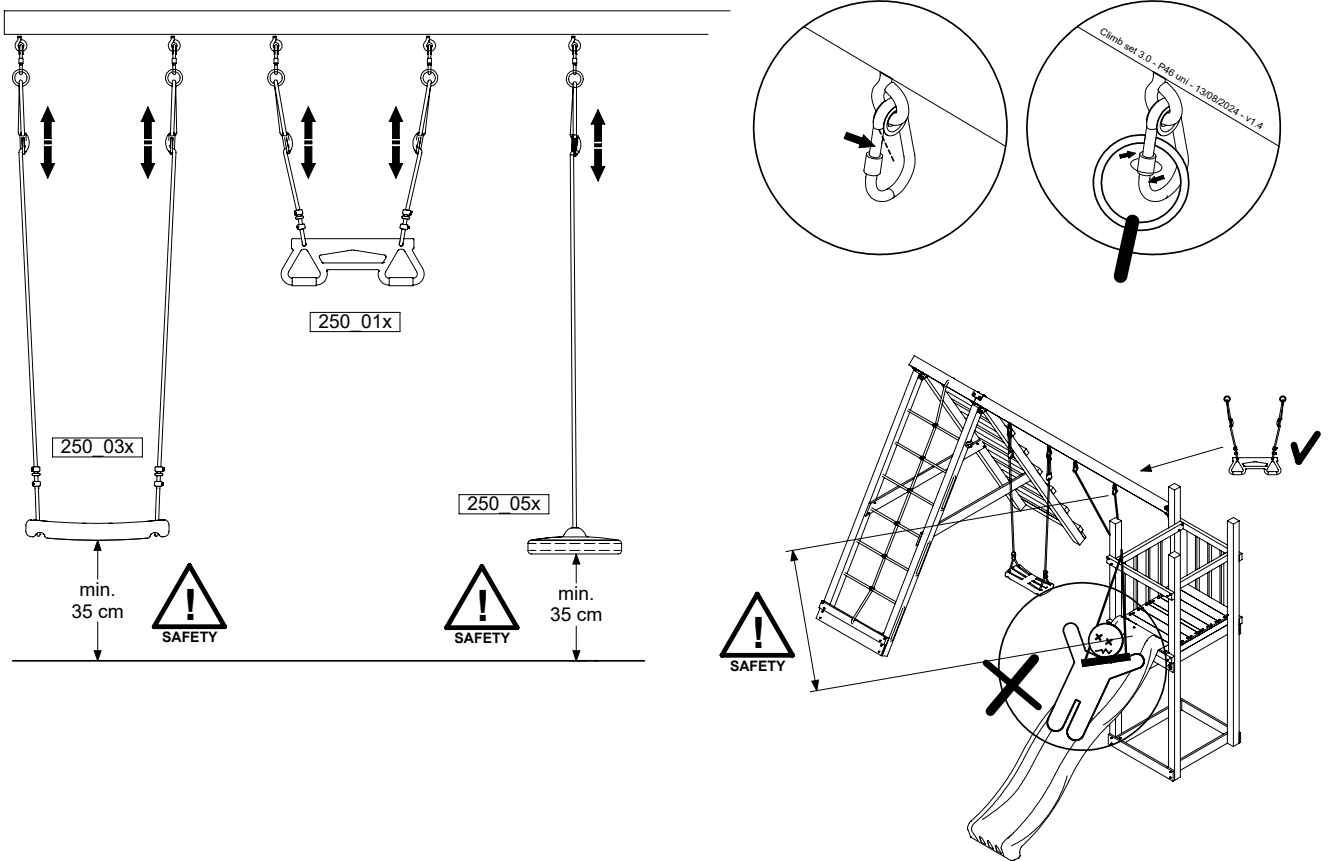


2-Swing positions





# 15.11

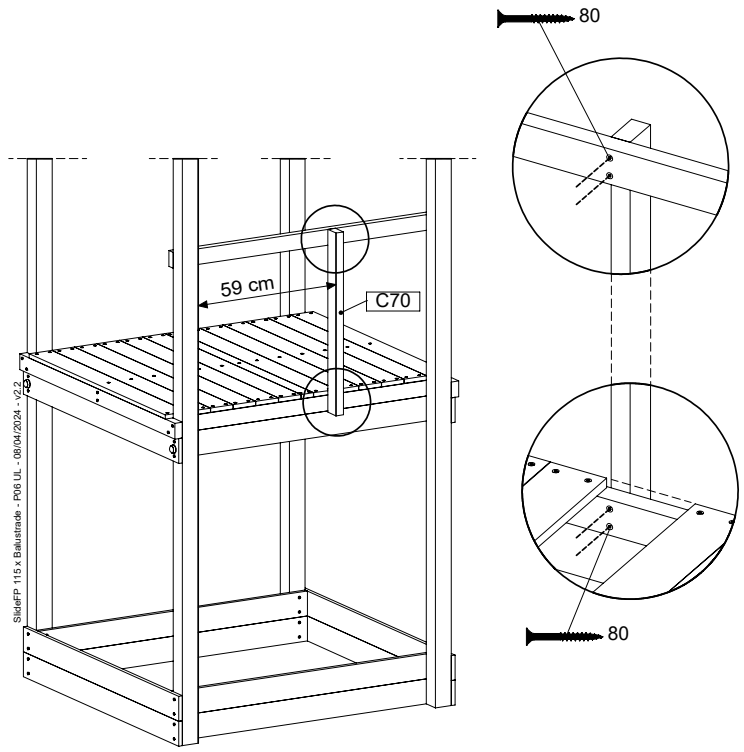
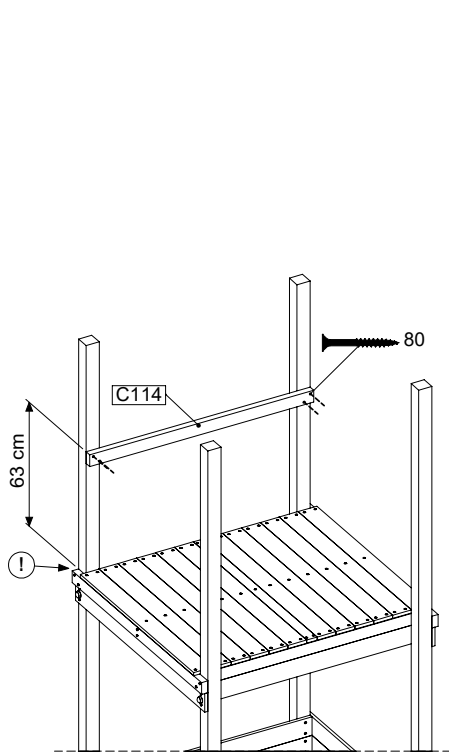
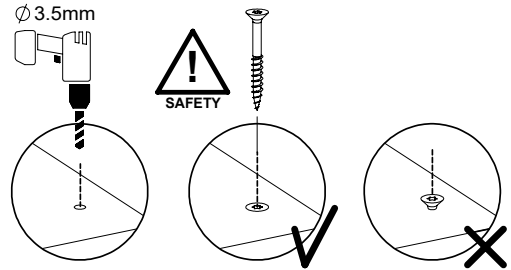
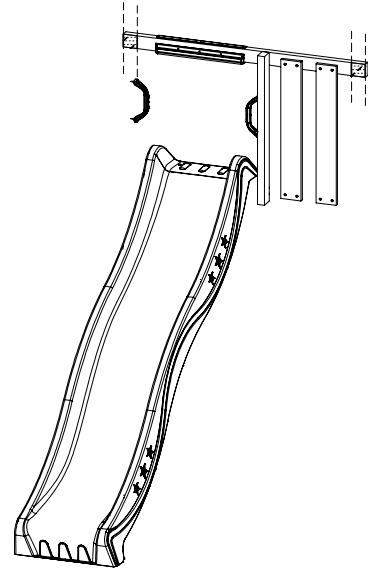


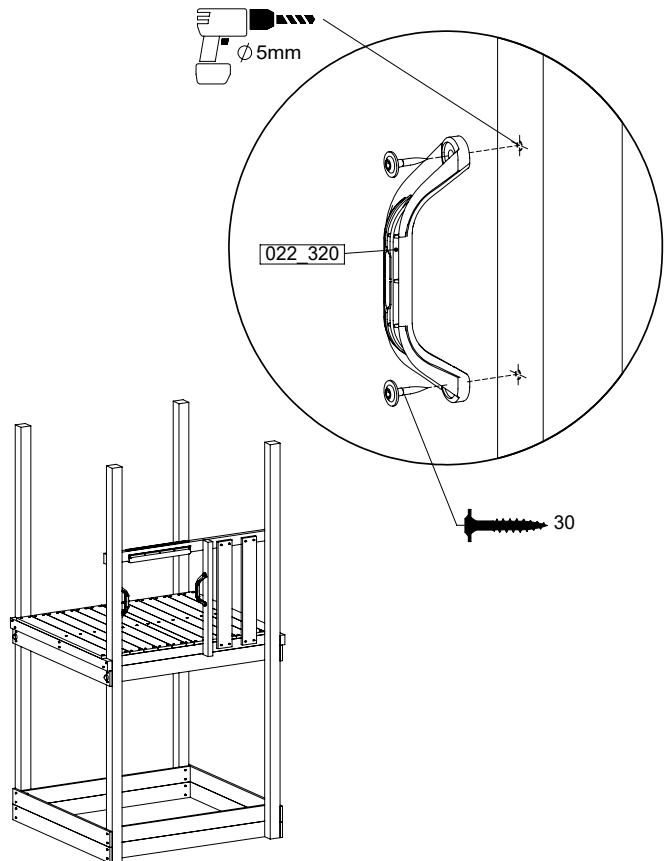
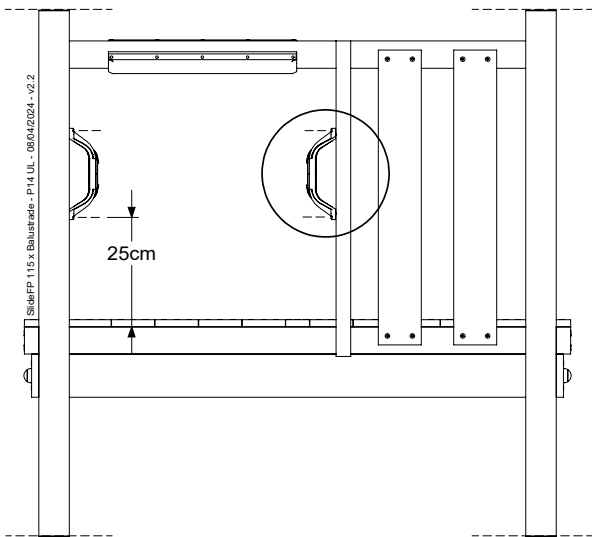
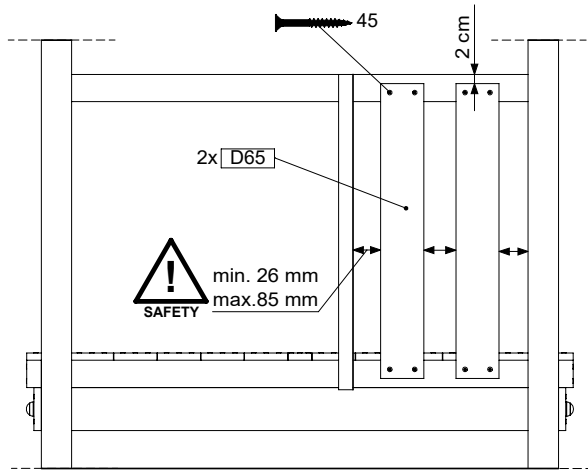
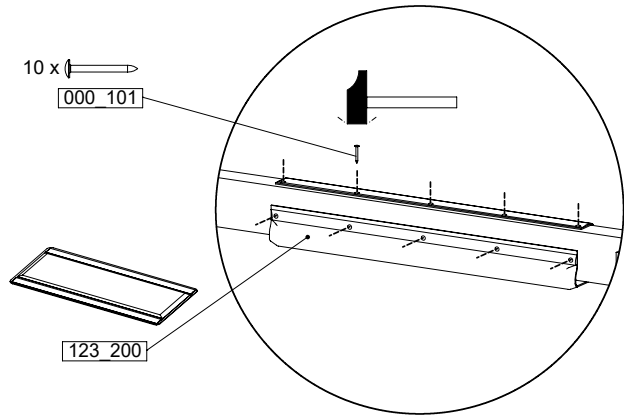
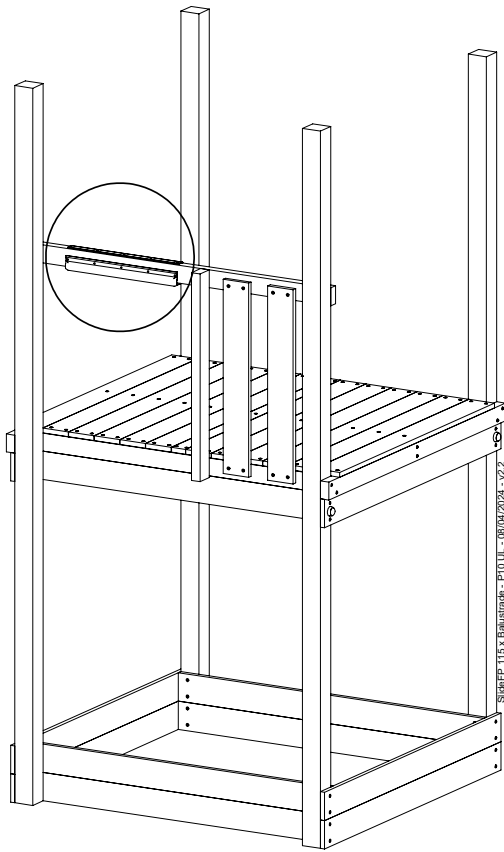
# 16 SL06a: Slide 115 125 U Left

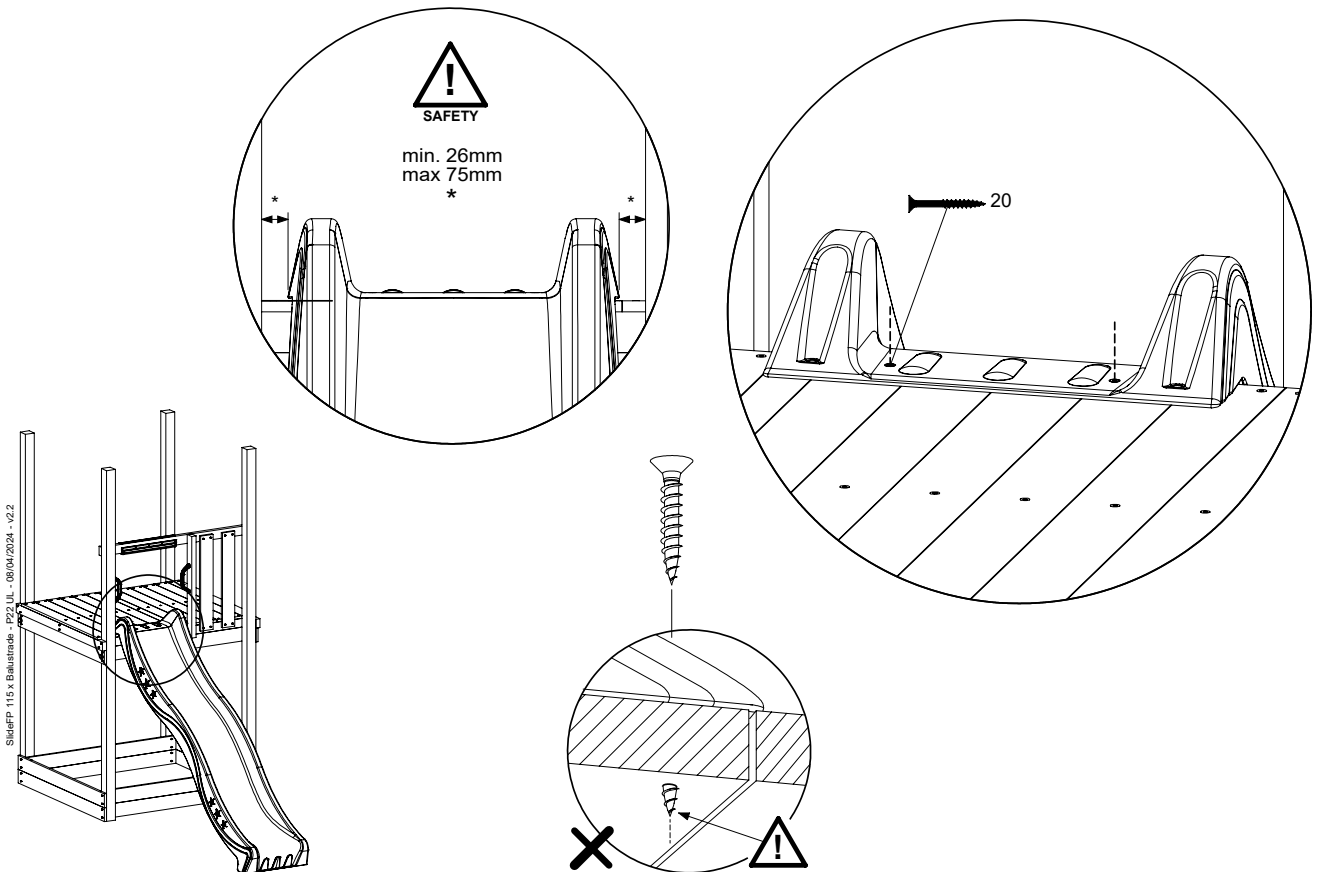
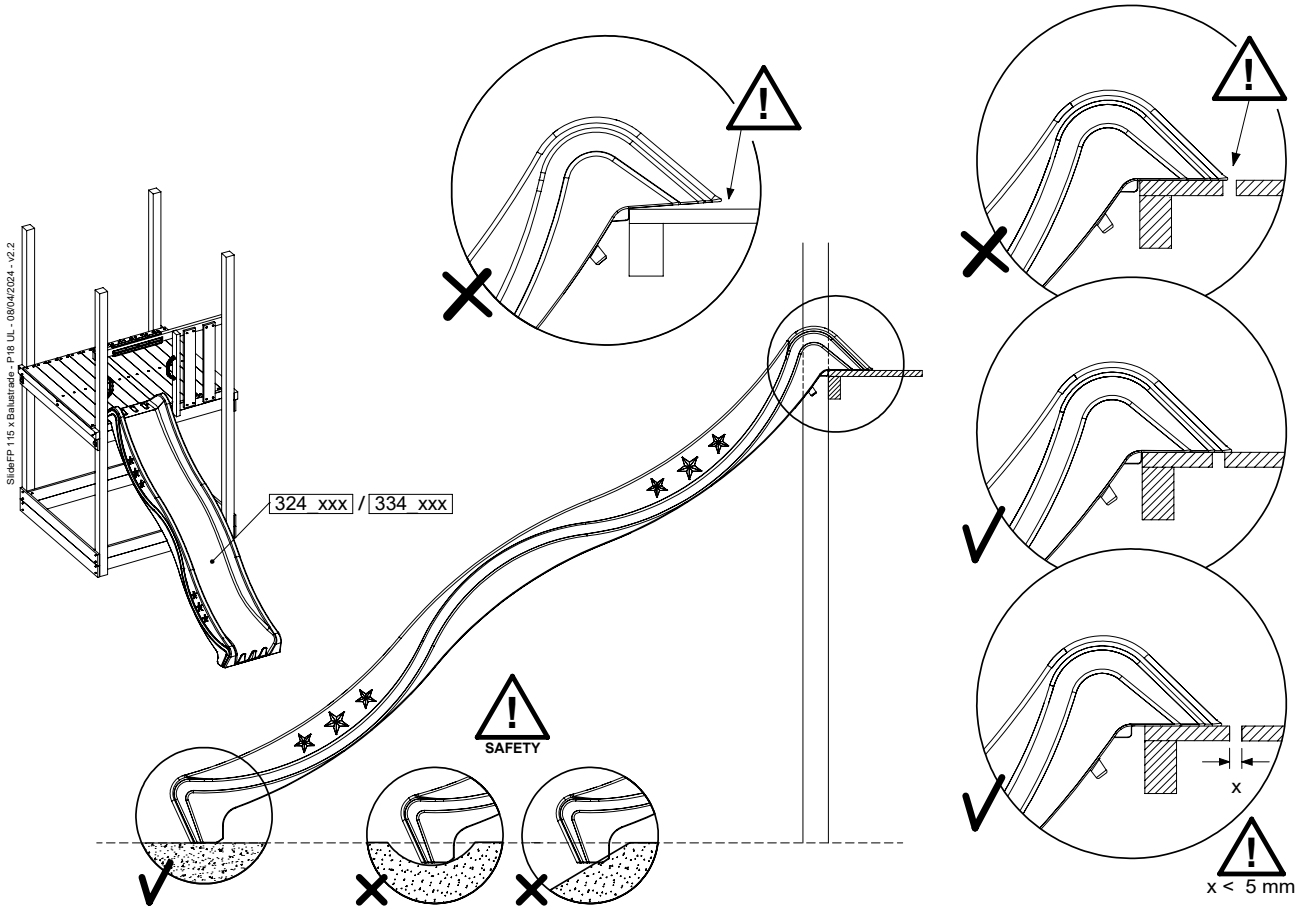
Assembly Packs: 194\_107 + 194\_101

	PartNo	PartName	QTY.
Hardware + Parts	000_101	Nail Pan Head	10
	002_220	Gap Point Screw T25 - 5x45	8
	002_223	Gap Point Screw T25 - 5x80	8
	002_308	Gap Point Screw T25 - 5x20	2
	120_102	Handgrip set (complete 2x)	1
	123_200	Bumperpad	1
	324_xxx 334_xxx	Wavy Star Slide XL 2200 mm / Wavy Star Slide XXL 2650 mm	1
Timber	C114	Beam 1140 mm	1
	C70	Beam 700 mm	1
	D65	Board 650 mm	2

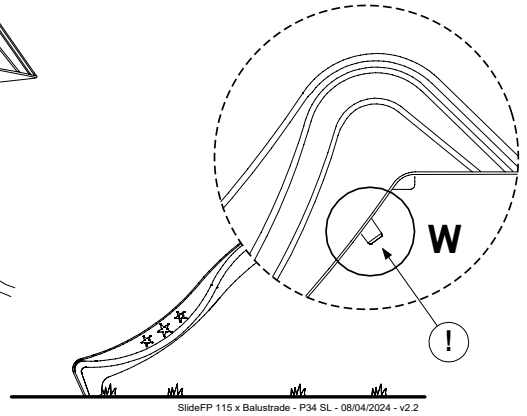
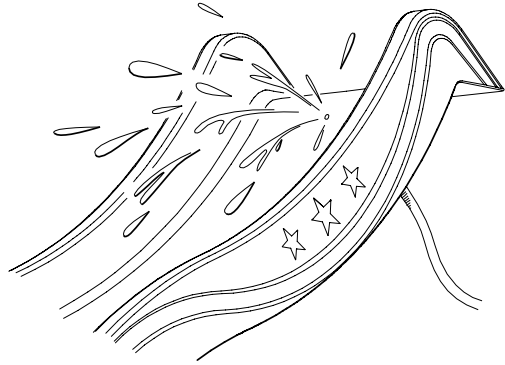
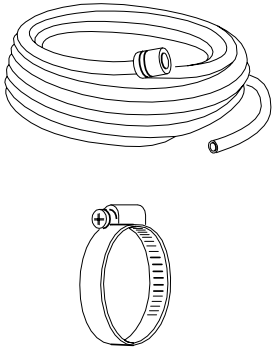
SlideFP 115 x Baumstrabe - P02 UL - 08/04/2024 - v0.2



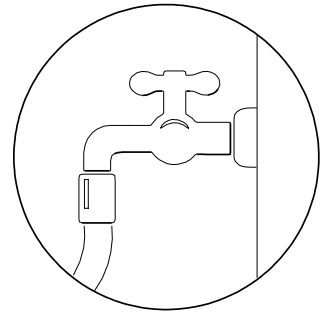
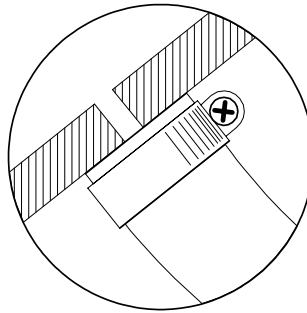
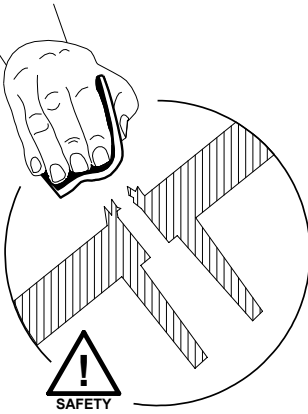
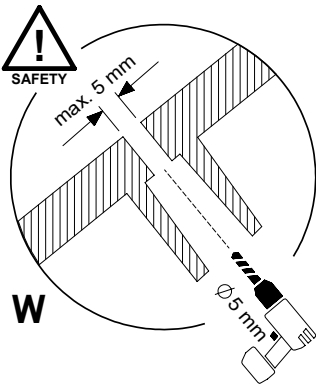




16.3



SlideFP 115 x Balustrade - P34 SL - 08/04/2024 - v2.2

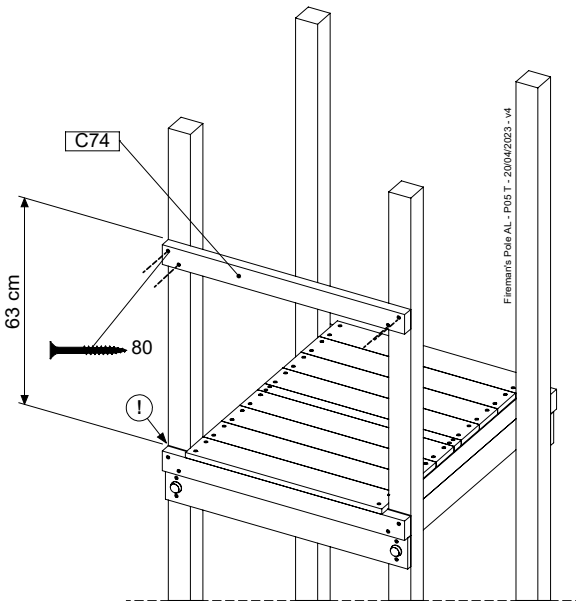
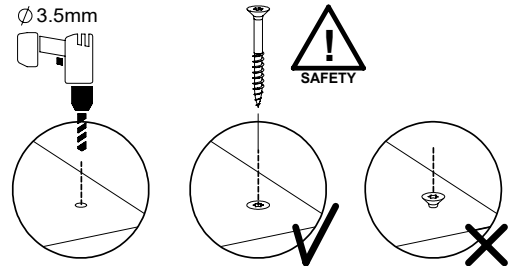
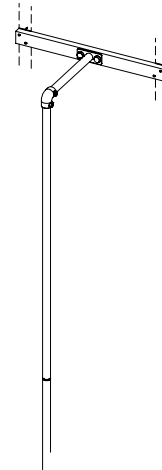


# 17 FP02a: Fireman's pole 80 T

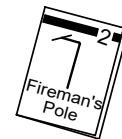
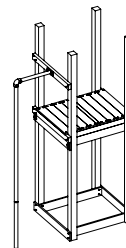
( 201\_275 )

	PartNo	PartName	QTY.
Kit	201_275	Fireman's Pole kit (incl. 4x Screw T25 5x80)	1
Timber	C74	Beam 740 mm	1

Fireman's Pole AL - P03 T - 20/04/2023 - v4

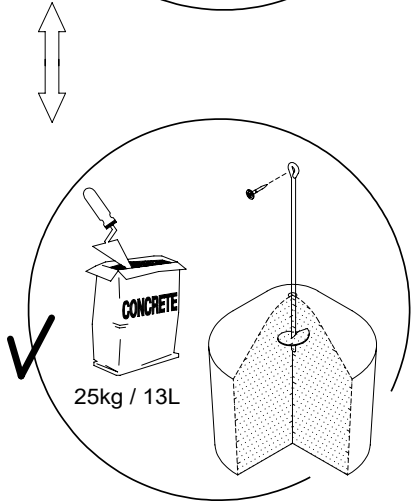
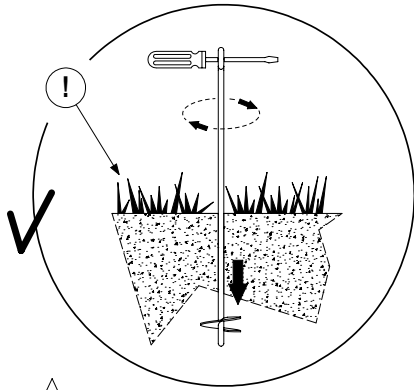


Fireman's Pole AL - P05 T - 20/04/2023 - v4

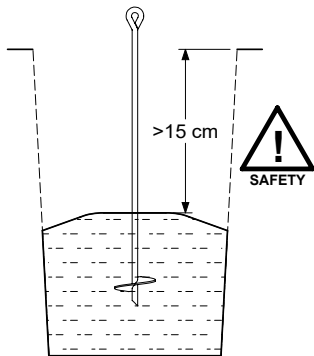
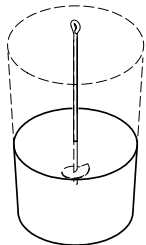
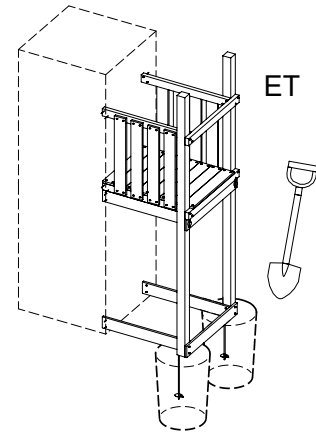
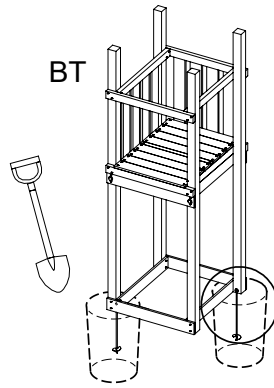
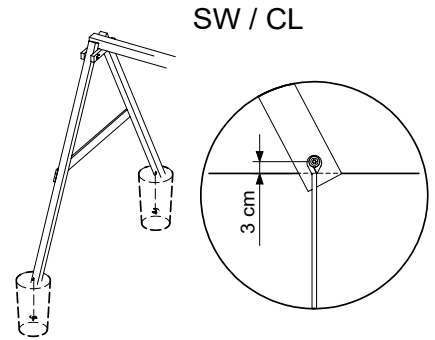
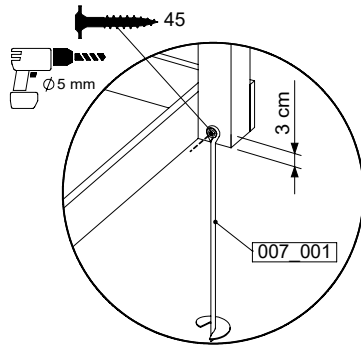


Fireman's Pole (201\_275)  
040\_335 Part 2

# 18 GA: Ground Anchors



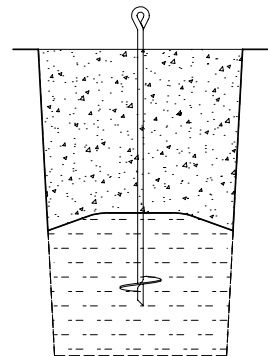
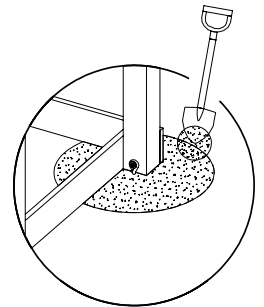
Ground Anchors Unit - PD3 - 14/06/2024 - v1.5



1.

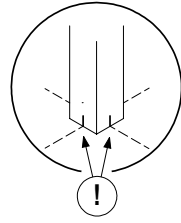
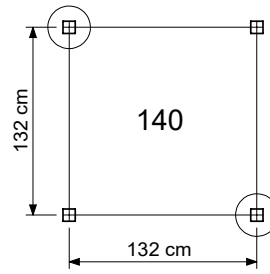
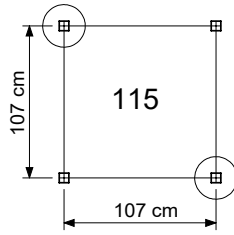
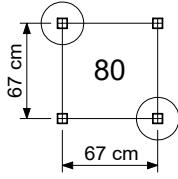
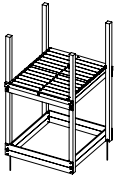


2.

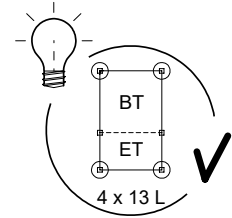
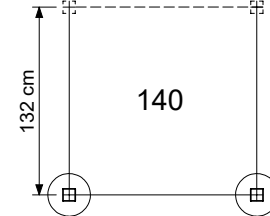
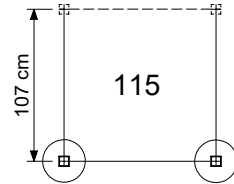
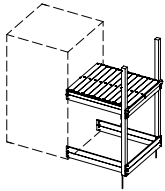
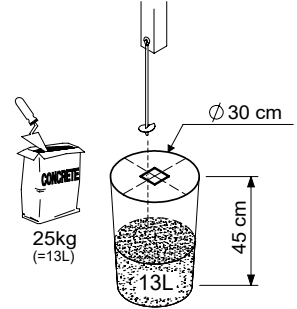
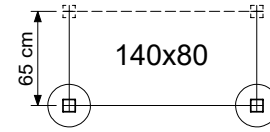
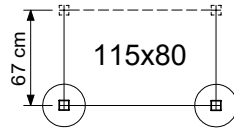
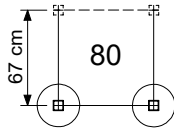
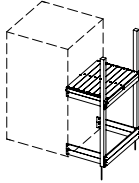


3.

BASE TOWERS

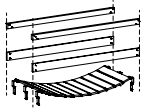


EXTENSION TOWERS

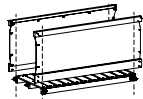


Ground Anchors Uni. - P01 - 14/06/2024 - v1.5

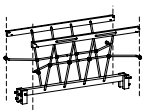
BRIDGES



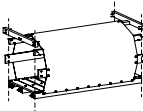
CLATTER



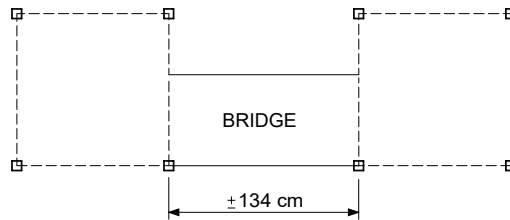
BOARDWALK



NET



TUNNEL

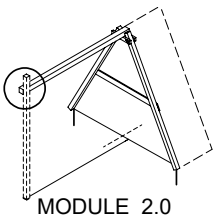


BRIDGE

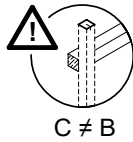
± 134 cm

Ground Anchors Uni. - P02 - 14/06/2024 - v1.5

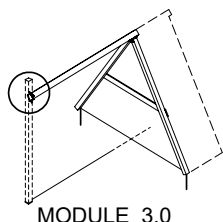
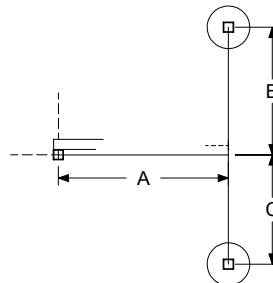
SWING / CLIMB



MODULE 2.0



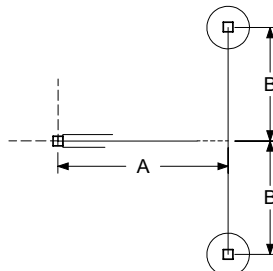
C ≠ B



MODULE 3.0



(C = B)



MODULE 2.0	Module type	A	B	C
	1-Swing 200	150	115	100
1-Swing 220 (Extra)		120	105	
1-Climb 200	142			
2-Climb 200	210	115	100	
2-Swing 200				
1-Climb 220 (Extra)	162			
2-Climb 220 (Extra)	230	120	105	
2-Swing 220 (Extra)				

cm

MODULE 3.0	Module type	A	B
	1-Swing 200 - 3.0	155	110
1-Swing 220 (Extra) - 3.0		115	
1-Climb 200 - 3.0	148		
2-Climb 200 - 3.0	222	110	
2-Swing 200 - 3.0	215		
1-Climb 220 (Extra) - 3.0	170		
2-Climb 220 (Extra) - 3.0	242	115	
2-Swing 220 (Extra) - 3.0	235		

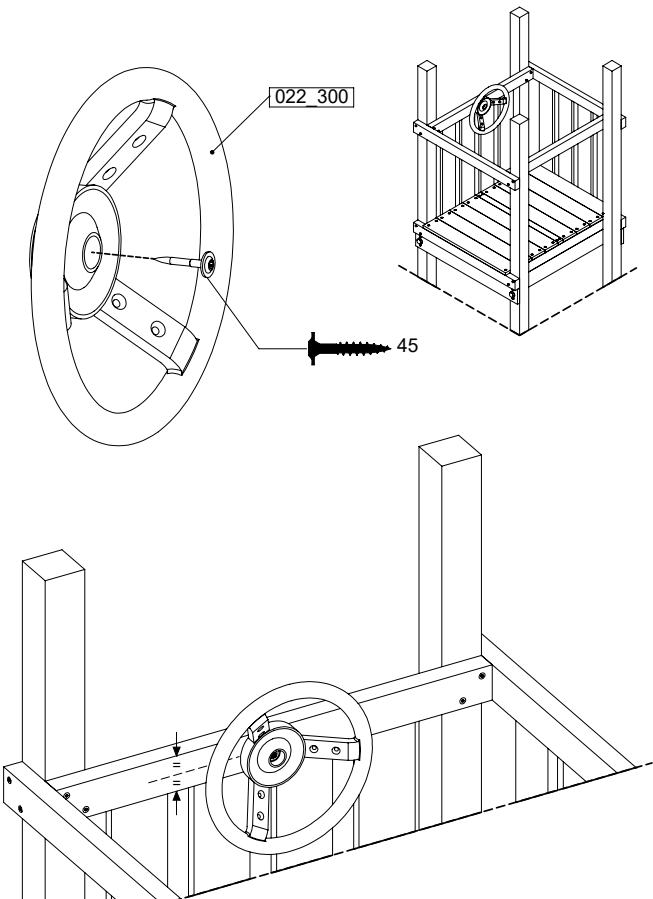
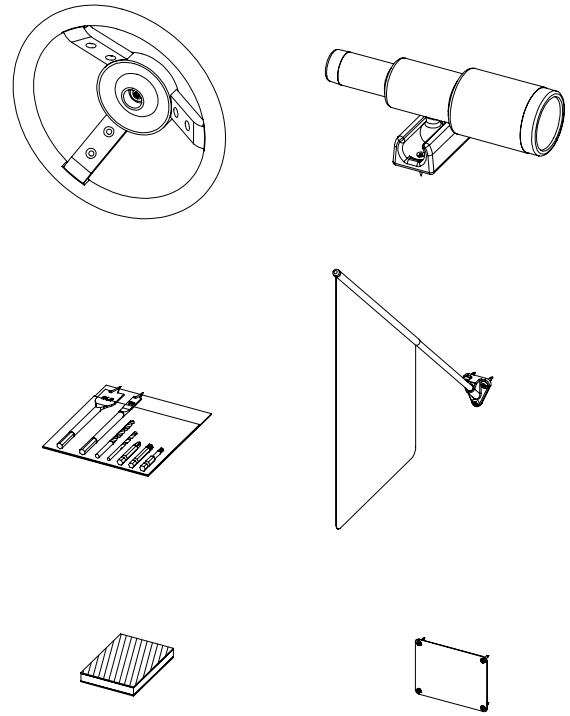
cm

# 19 AC01a: Accessories

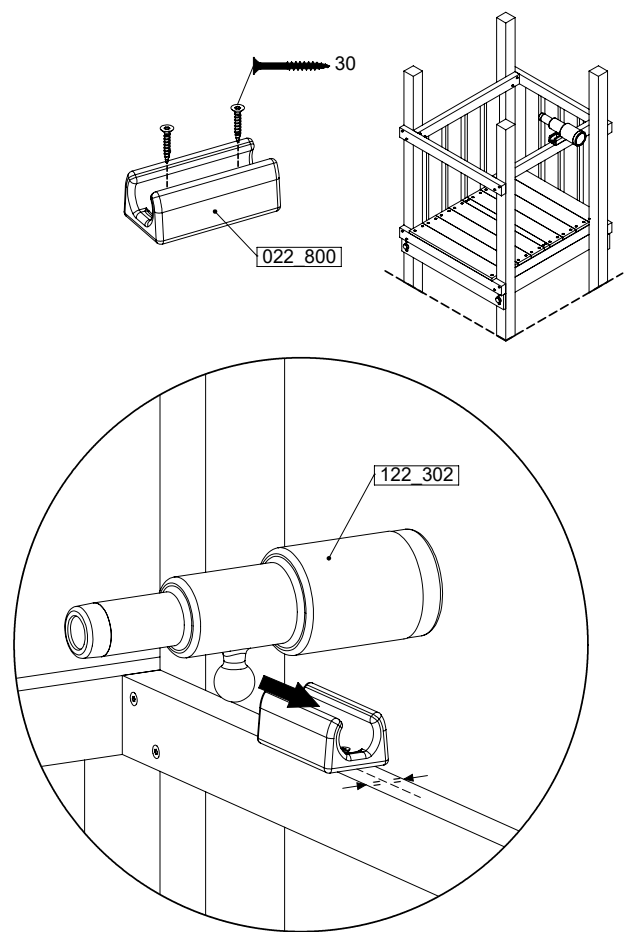
( 194\_119 )

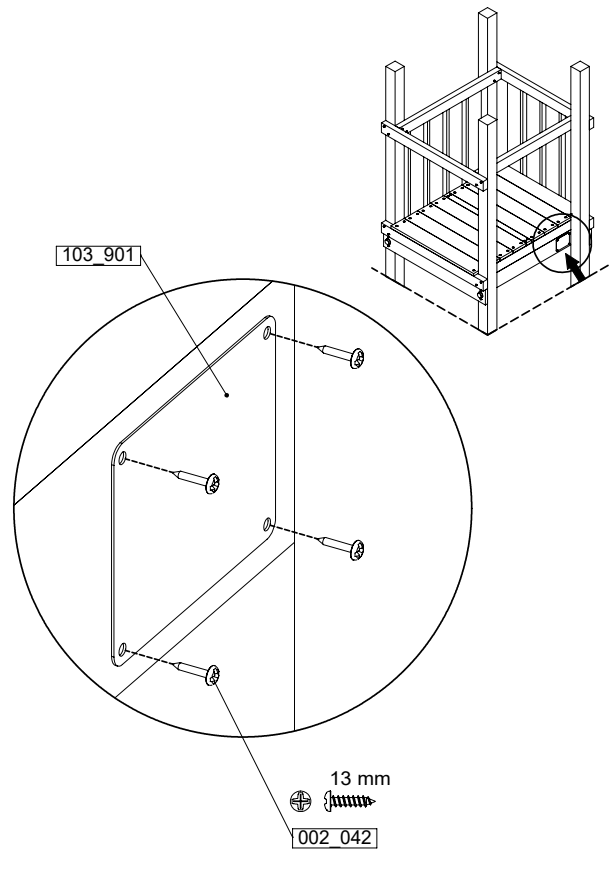
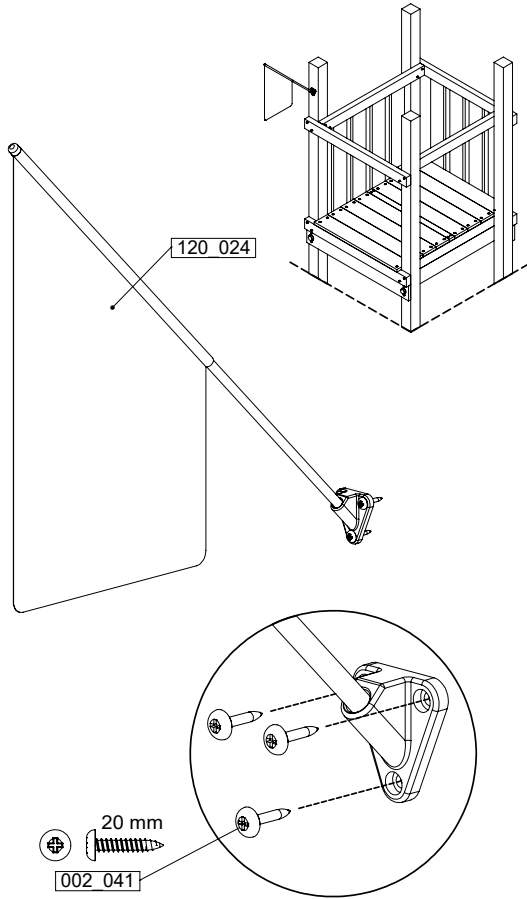
	PartNo	PartName	QTY.
Hardware Pack 100_617	001_406	Stealth Screw 8x45	1
	002_041	Dome head screw 4.5 x 20 mm	3
	002_042	Dome head screw 3.5 x 13mm	4
	002_219	Gap Point Screw T25 - 5x30	2
Other	022_300	Steering Wheel	1
	022_800	Rail P/T 105	1
	022_910	Sandpad	1
	103_901	Logo ID Plate	1
	104_107	Tool Set Climbing Units	1
	120_024	Tower Flag	1
	122_302	Telescope	1

Accessory set - P02 - 24/01/2024 - v5

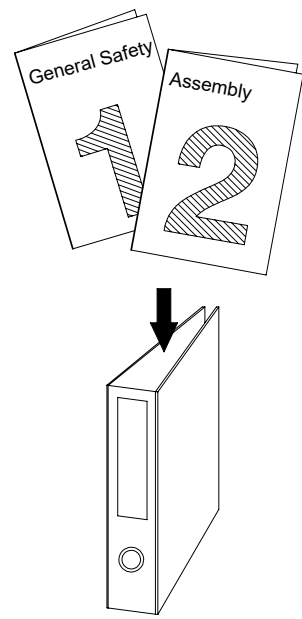
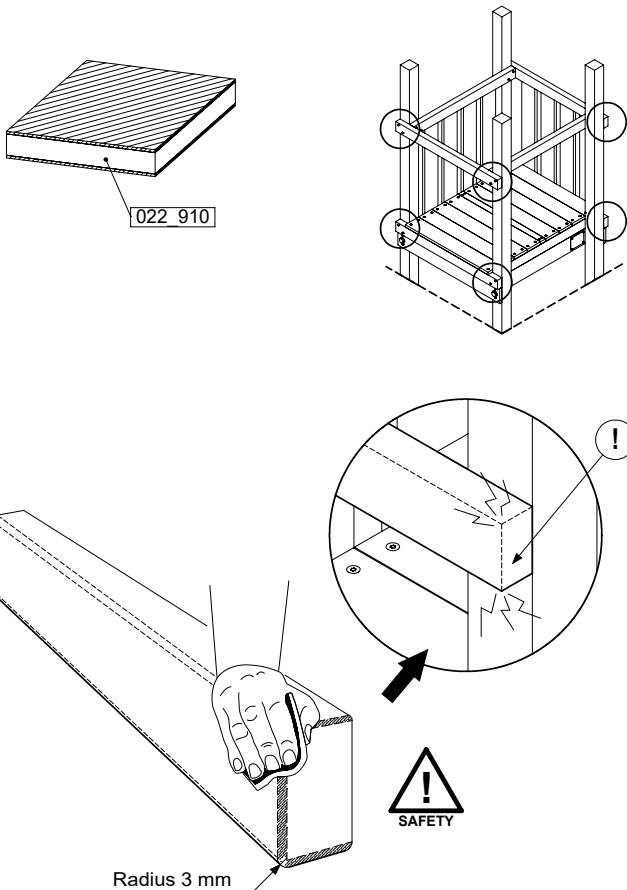


Accessory set - P03 - 24/01/2024 - v5





Accessory set - P04 - 24/01/2024 - 5\*



Accessory set - P05 - 24/01/2024 - 5\*



**EU Declaration of Conformity**  
**UK Conformity Assessed**  
**EU-Konformitätserklärung**  
**Déclaration EU de conformité**



( in accordance with 768/2008/EC )

**Product range:** Activity toys for domestic use  
**Produktfamilie:** Aktivitätsspielzeug für den häuslichen Gebrauch  
**Gamme de produits:** Jouets d'activité à usage familial

**DoC reference:** 20241111\_0500

**Climbing frames**

**a. Assemblies for complete climbing frames - Bausätze für komplette Klettergerüste - Assemblages pour structures d'escalade complètes**

Playtowers	801_005, 801_009, 801_010, 801_013, 801_025, 801_040, 801_060, 801_070, 801_090, 801_095, 801_100, 801_103, 801_105, 801_110, 801_120, 801_200, 802_202, 802_204, 802_206, 802_208, 803_202, 803_204, 803_206, 803_208, 803_210, 809_802, 809_804
Swings	801_300, 801_601, 801_602
Modules	850_176, 850_177, 850_231, 850_232, 857_101, 857_102, 857_105, 857_106, 857_151, 857_152, 857_157, 857_158, 850_240

**b. Assemblies for climbing frames elements - Bausätze für Klettergerüst-Elemente - Assemblages pour éléments de structures d'escalade**

Base towers (BT)	BT01a, BT02a, BT03a, BT11a, BT14a, BT15a, BT20a
Extension towers (ET)	ET01a, ET02a, ET05a, ET06a, ET07a, ET08a, ET09a, ET10a, ET11a, ET12a, ET13a, ET14a, ET15a, ET16a, ET17a, ET18a, ET19a, ET20a, ET22a, ET23a, ET27a, ET28a, ET35a, ET29a, ET39a, ET40a
Veranda (VD)	VD01a, VD02a, VD03a, VD04a, VD05a
Bridges (CB, NB, BB, TB)	CB01a, CB01b, NB01a, BB01a, BB02a, TB01a, TB02a, TB03a, TB04a
Roofs (RF)	RF01a, RF21a, RF02a, RF03a, RF04a, RF05a, RF06a, RF20a, RF02b, RF03b, RF28a, RF07a, RF08a, RF22a, RF09a, RF23a, RF11a, RF12a, RF16a, RF07b, RF12b, RF08b, RF22b, RF09b, RF23b, RF11b, RF29a, RF14a, RF24a, RF15a, RF25a, RF18a, RF17a, RF18b, RF14b, RF24b, RF15b, RF25b
Balustrade (BL, BF)	BL01a, BL02a, BL11a, BL12a, BL21a, BF25a, BF26a, BF27a, BF28a, BL03a, BL04a, BL13a, BL14a, BF01a, BF02a, BF03a, BF04a, BF05a, BF06a, BF07a, BF08a, BF01b, BF02b, BF03b, BF04b, BF05b, BF06b, BF07b, BF08b, BL05a, BL06a, BL07a, BL08a, BL09a, BL10a, BL15a, BL16a, BF21a, BF22a, BF23a, BF24a, BF21b, BF22b, BF23b, BF24b
Playhouse (PH)	PH03a, PH04a, PH05a, PH06a, PH10a, PH11a, PH40a, PH41a, PH12a, PH13a, PH14a, PH15a, PH42a, PH43a, PH44a, PH45a, PH16a, PH17a, PH18a, PH19a, PH30a, PH31a, PH16b, PH17b, PH18b, PH19b, PH46a, PH47a, PH48a, PH49a, PH16c, PH17c, PH18c, PH19c, PH46b, PH47b, PH48b, PH49b, PH20a, PH21a, PH22a, PH23a, PH24a, PH25a, PH26a, PH27a, PH32a, PH33a, PH52a, PH53a, PH54a, PH55a, PH56a, PH57a, PH50a, PH51a, PH26b, PH27b, PH26c, PH27c, PH56b, PH57b
Ladder (LA)	LA05a, LA06a, LA01a, LA02a, LA09a, LA03a, LA04a, LA01b, LA02b, LA09b, LA03b, LA04b, LA11a, LA12a, LA13a, LA14a, LA15a, LA16a, LA17a, LA18a, LA31a, LA32a, LA33a, LA34a, LA35a, LA36a, LA37a, LA38a, LA11b, LA12b, LA13b, LA14b, LA15b, LA16b, LA17b, LA18b, LA19a, LA20a, LA21a, LA22a, LA23a, LA24a, LA25a, LA26a, LA43a, LA44a, LA45a, LA46a, LA23b, LA24b, LA25b, LA26b
Two Step Ladder (TS)	TS01a, TS01b, TS02a, TS02b, TS03b, TS22a, TS05a, TS06a, TS07a, TS08a, TS09a, TS10a, TS11a, TS12a, TS15a, TS16a, TS17a, TS18a, TS19a, TS20a, TS21a, TS22a
Rope Ladder (RL)	RL01a, RL02a, RL05a, RL06a, RL07a, RL08a, RL09a, RL10a, RL11a, RL12a, RL15a, RL16a, RL19a, RL20a
Rock wall (RW)	RW01a, RW02a, RW01b, RW02b, RW03b, RW31a, RW32a, RW33a, RW05a, RW06a, RW07a, RW08a, RW09a, RW10a, RW11a, RW12a, RW40a, RW41a, RW15a, RW16a, RW17a, RW18a, RW19a, RW20a, RW46a, RW47a
Ramp (RA)	RA01b, RA02b, RA03a, RA04a, RA21a, RA05a, RA06a, RA07a, RA08a, RA05b, RA06b, RA07b, RA08b, RA11a, RA12a, RA09b, RA10b, RA11b, RA12b
Net (NA, NS)	NA01a, NA02a, NS01a, NS02a, NS03a, NS21a, NA04a, NA05a, NS04a, NS05a, NS06a, NS07a, NA08a, NA09a, NS08a, NS09a
Boat (BO)	BO01a
Market (MT) & Target Canvas (TC)	MT01a, MT02a, TC01a, TC02a, MT01b, MT02b, TC01b, TC02b, MT05a, MT06a, MT11a, MT12a
Picnic (PC)	PC01a, PC01b, PC05a, PC06a, PC09a, PC10a
Gymnastics bar (GY)	GY01a
Fireman's pole (FP)	FP01a, FP02a, FP04a, FP05a, FP06a, FP07a, FP23a, FP24a, FP25a, FP26a, FP27a, FP28a
Slides (SL)	SL01a, SL02a, SL03a, SL06a, SL07a, SL08a, SL09a, SL10a, SL11a, SL12a, SL13a, SL26a, SL27a, SL28a, SL29a
Swing (SM)	SW17a, SW21a, SW18a, SW22a, SW19a, SW23a, SW01a, SW05a, SW02a, SW06a, SW03a, SW07a, SW09a, SW13a, SW10a, SW14a, SW11a, SW15a
Climb (CL)	CL17a, CL21a, CL18a, CL22a, CL19a, CL23a, CL01a, CL05a, CL02a, CL06a, CL03a, CL07a, CL09a, CL13a, CL10a, CL14a, CL11a, CL15a
Universal Beam (UB)	UB01a, UB04a, UB02a, UB05a, UB03a, UB06a, UB07a, UB08a
Accessories (AC)	AC40a, AC30a, AC31a, AC32a, AC33a, AC01a, AC05a, AC07a, AC03a, AC04a, AC06a, AC23a, AC22a, AC24a, AC21a, AC25a, AC02a, AC09a, AC08a, AC10a

**Construction packages**

**a. Assembly kits for complete climbing frames - Bausätze für komplette Klettergerüste - Kits de construction pour structures d'escalade complètes**

Playtowers	401_015, 401_080, 401_125, 402_201, 402_202, 402_204, 402_206, 402_208, 403_202, 403_204, 403_206, 403_208, 403_210, 409_802, 409_804
Swings	401_300, 401_600
Modules	457_005, 457_102, 457_103, 457_106, 457_107, 457_205

**b. Assembly packs for climbing frames elements - Baupakete für Klettergerüst-Elemente - Packs de construction pour éléments de structures d'escalade**

Sub assemblies	194_002, 194_003, 194_004, 194_006, 194_007, 194_008, 194_009, 194_010, 194_011, 194_100, 194_101, 194_102, 194_103, 194_104, 194_105, 194_107, 194_108, 194_109, 194_110, 194_111, 194_112, 194_113, 194_114, 194_115, 194_116, 194_117, 194_118, 194_119, 194_300, 194_308, 194_312, 194_500, 194_501, 194_508, 194_510, 194_802, 194_804, 194_809, 194_810, 194_811, 194_812
----------------	---

**Accessories and components - Zubehör und Komponenten - Accessoires et composants**

Slides XL	324_100, 324_200, 324_300, 324_400, 324_500, 324_600
Slides XXL	334_100, 334_200, 334_300, 334_400, 334_500, 334_600
Fireman's pole	201_275
Climbing	201_060, 201_273
Imagination	201_280, 201_285, 201_290, 201_295, 202_473, 450_310, 450_320, 450_330
Swinging	250_001, 250_013, 250_025, 250_034, 250_053
Functional	123_220, 123_222, 123_230, 201_115, 201_220, 201_250, 201_260, 201_270, 202_620, 202_621, 202_622, 202_623, 202_624, 202_625, 202_626, 202_627, 202_628, 202_629, 202_824, 250_065, 250_070, 250_075

## Applicable EU and UK directives and standards

### General

- Product Safety Regulation (GPSR 2023/988/ EC)
- UK General Product Safety Regulations 2005 (GPSRs SI 2005/1803)
- General Product Safety Regulations 2005 (GPSRs SI 2005/1803)
- Reach directive 1907/2006
- AfPS GS 2019:01 PAK

### Activity Toys

- Toy Safety Directive (TSD 2009/48/EC)
- UK Toys (Safety) Regulations 2011 (TSR SI 2011/1881)
- Harmonised European and UK toy standard (EN 71-1 -2,-3, and -8).

## Additional audits

### Test reports / Certificate:

TüV Rheinland Product Safety GmbH  
Am Grauen Stein, 51105 Köln, Germany

### Prüfbericht / Zertifikat:

Zertifikat: R 60010766, R 60024578  
Prüfbericht: 21115718\_003/004/005, 21140630\_001/002

### Rapport d'essai / certificate:

Dekra Automobil GmbH  
Handwerkstraße 15, 70565 Stuttgart, Germany  
Prüfbericht: 340331500\_55245585/13-2

Laboratoire National de métrologie et d'essais (LNE)  
29 Avenue Roger Hennequin, 78197 Trappes Cedex, France  
Revue documentaire: K080196

## Design

### Product image:

### Produktbild:

### Image du produit:

### Design code:

R J Q 4 d c

### Production date:

21-11-2024



## Declaration

This declaration of conformity is issued solely under the responsibility of the manufacturer, who asserts that the aforementioned products comply with the applicable directives and harmonized standards, provided that installation, assembly, and maintenance are performed in accordance with the instructions supplied.

Diese Konformitätserklärung wird ausschließlich unter der Verantwortung des Herstellers ausgestellt, der erklärt, dass die genannten Produkte den geltenden Richtlinien und harmonisierten Standards entsprechen, vorausgesetzt, dass Installation, Montage und Wartung gemäß den bereitgestellten Anweisungen durchgeführt werden.

Cette déclaration de conformité est émise uniquement sous la responsabilité du fabricant, qui affirme que les produits mentionnés ci-dessus sont conformes aux directives applicables et aux normes harmonisées, à condition que l'installation, le montage et l'entretien soient réalisés conformément aux instructions fournies.

## Manufacturer details

### Jungle Gym B.V.

P.O. Box 75083  
1059 CD Amsterdam,  
Netherlands  
[info@junglegym.com](mailto:info@junglegym.com)  
+31 85 44 44 100

**Jungle Gym**  
BACKYARD PLAYGROUNDS

since 1988

Amsterdam, November 1<sup>st</sup>, 2024

On behalf of the manufacturer  
**Jungle Gym B.V.**

  
Paul Schmit  
CEO