

# Big City Plus - Vancouver Plus



-  **Option A**  
Dark Blue & Orange (shown)
-  **Option B**  
Purple & Yellow
-  **Option C**  
All Green

**Code – BC/VAN\*1**

**Age**

5-12 years

**Materials**

- Stainless Steel
- Compact Grade Laminate (CGL)
- Nylon Steel Cored Rope
- Various Plastic Mouldings
- LLDPE Slide

**A junior modular tower system comprising of:**

- Square Tower (1.5m)
- Square Tower 1.1m)
- Lookout Tower
- Slide (1.5m)
- Twisted Climbing Net (1.1m)
- Climbing Wall (1.1m)
- Fireman's Pole (1.5m)
- Inclined Bridge (without net ring)
- Overhead Hand Sliders
- Inclined Hoop Bars

**Technical Information**

**Equipment Dimensions**

Length / Width / Height **7.8m x 4.4m x 3.1m**

**Surfacing and Area Required**

Recommended Minimum Space L/W/H **11.2m x 8.1m x 4.3m**

Max Gradient of Ground **1 in 50**

Free Height of Fall **1.85m**

Impact Area **60.58m<sup>2</sup>**

Synthetic Area (i.e. EPDM / Wet Pour / Synthetic Grass etc.) **64.54m<sup>2</sup>**

Loosefill at 250mm (i.e. Bark / Cushionfall / Sand) **19m<sup>3</sup>**

GrassLok Tiles **80m<sup>2</sup>**

**Installation Information** SGF SF (if different)

Installation Time **2 Persons 19 Hours**

Overall Weight **903kg**

Heaviest Part **40kg**

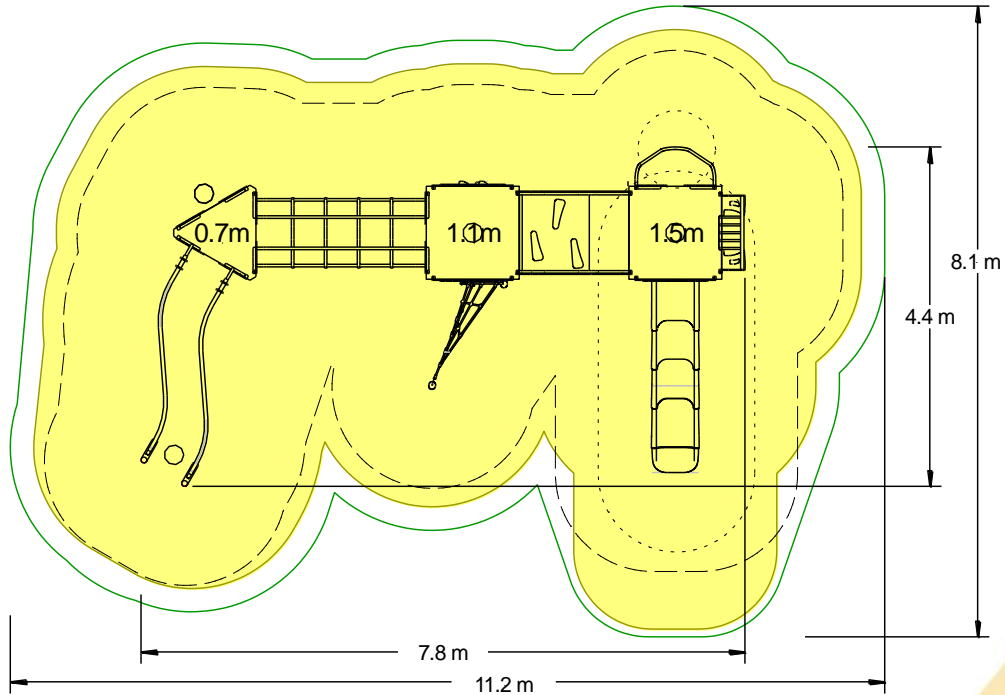
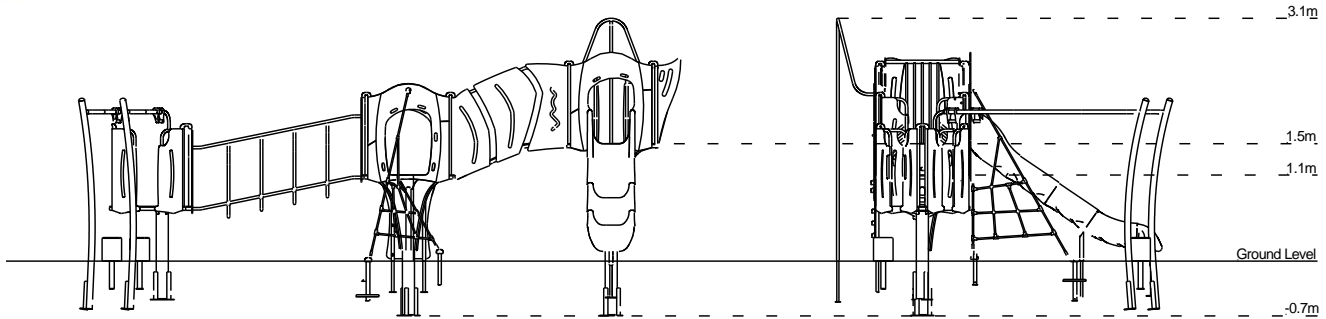
Largest Part **3.0m x 0.9m x 0.6m**

Longest Part **3.0m**

Concrete Required **1.01m<sup>3</sup> 1.56m<sup>3</sup>**

Certified to ASTM F1487

[Click here for more information & downloads](#) 



-  Recommended Minimum Space
-  Impact Area
-  Free Space
-  Unit Spacing Boundary

[Click here for more information & downloads](#)

