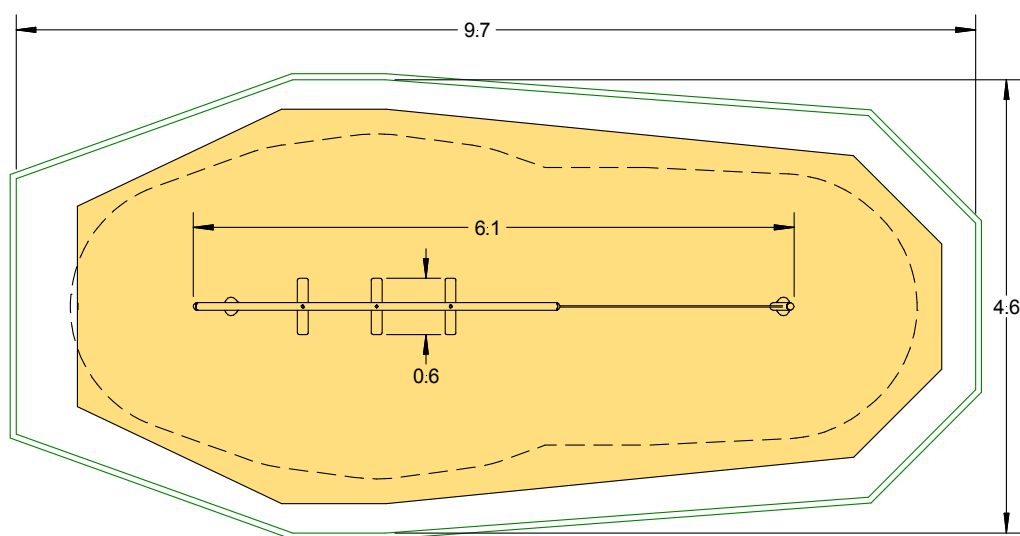
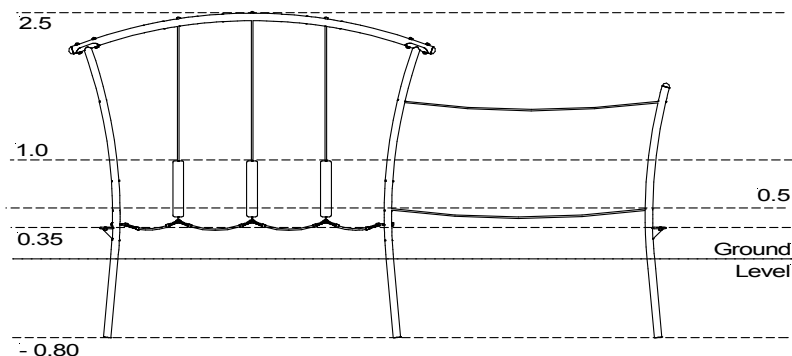


## City Adventure Trail – Combo 2 Tyre Traverse / Rope Walk



### Technical Information

#### Equipment Dimensions

Length / Width / Height **6.1m x 0.6m x 2.5m**

#### Surfacing and Area Required

Minimum Space Required L/W/H **9.7m x 4.6m x 3.7m**

Max Gradient of Ground **1:50**

Free Height of Fall **1000mm**

Impact Area **29.22m<sup>2</sup>**

Loosefill at 250mm **10m<sup>3</sup>**

Bark / Cushionfall / Sand **n/a**

Grasslok Tiles **n/a**

#### Installation Information

Overall Weight **87kg**

Heaviest Part **21kg**

Largest Part **3.7m**

Longest Part **3.7m**

Concrete Required **0.378m<sup>3</sup>**



KITEMARKED TO BS EN 1176