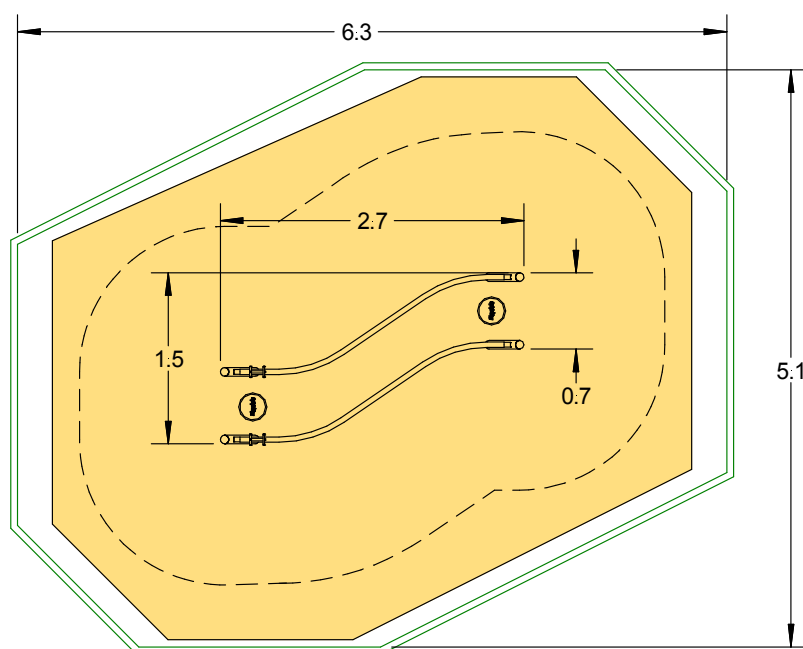
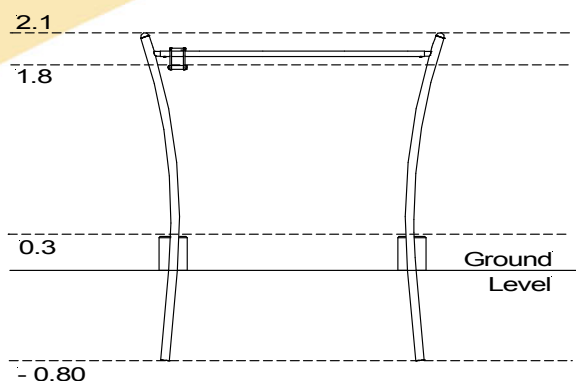


## City Adventure Trail – Shuffle Bars



### Technical Information

#### Equipment Dimensions

Length / Width / Height **2.7m x 1.5m x 2.1m**

#### Surfacing and Area Required

Minimum Space Required L/W/H **6.3m x 5.1m x 3.3m**

Max Gradient of Ground **1:50**

Free Height of Fall **1850mm**

Impact Area **22.61m<sup>2</sup>**

Loosefill at 250mm **7m<sup>3</sup>**

Bark / Cushionfall / Sand **n/a**

Grasslok Tiles **n/a**

#### Installation Information

Overall Weight **116kg**

Heaviest Part **16kg**

Largest Part **2.9m**

Longest Part **2.9m**

Concrete Required **0.378m<sup>3</sup>**



KITEMARKED TO BS EN 1176