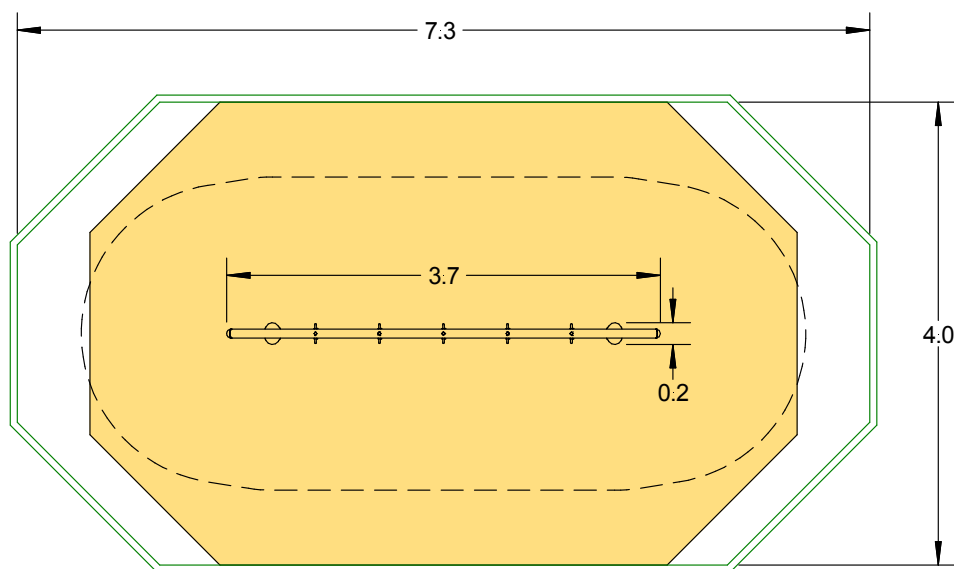
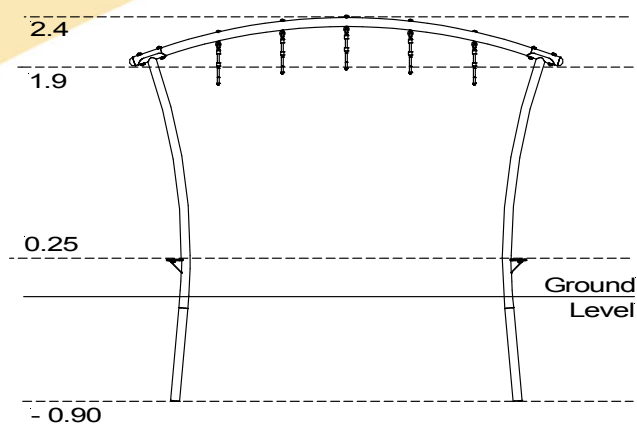


# City Adventure Trail – Trapeze Walk



## Technical Information

### Equipment Dimensions

Length / Width / Height **3.7m x 0.2m x 2.4m**

### Surfacing and Area Required

Minimum Space Required L/W/H **7.3m x 4.0m x 3.7m**

Max Gradient of Ground **1:50**

Free Height of Fall **2000mm**

Impact Area **21.63m<sup>2</sup>**

Loosefill at 350mm **10m<sup>3</sup>**

Bark / Cushionfall / Sand **n/a**

Grasslok Tiles **n/a**

### Installation Information

Overall Weight **60kg**

Heaviest Part **21kg**

Largest Part **3.7m**

Longest Part **3.7m**

Concrete Required **0.252m<sup>3</sup>**



KITEMARKED TO BS EN 1176