


Jukebox – Twist Plus



-  Option A-
Dark Blue/Yellow
-  Option B-
Purple/Lime Green
-  Option C-
Green
(Shown)

Code – JB/TWT/*2	
Age	5-12 years
Materials	Laminated Timber Compact Grade Laminate (CGL) Galvanised or Painted Mild Steel Nylon Steel Cored Rope Stainless Steel Slide Various Plastic Mouldings

A junior tower system comprising of:

- Square Tower (1.9m)
- Angled Tower (1.9m)
- Slide (1.9m)
- Climbing Wall (1.9m)
- Rope Ramp (1.9m)
- Rope Climb (1.9m)
- Twisted Scramble Net (1.9m)
- Spiders Web
- Hangabout Seat
- Bubble Play Panel

Technical Information

Equipment Dimensions

Length / Width / Height **5.4m x 5.2m x 3.8m**

Surfacing and Area Required

Recommended Minimum Space
L/W/H **9.6m x 8.9m x 5.0m**

Max Gradient of Ground **1 in 50**

Free Height of Fall **1.9m**

Impact Area **52.71m²**

Synthetic Area
(i.e. EPDM / Wetpour / Synthetic Grass etc.) **52.91m²**

Loosefill at 250mm
(i.e. Bark / Cushionfall / Sand) **16m³**

Grasslok Tiles **70m²**

Installation Information

Steel Ground Fixed

Surface Fixed
(if different)

Installation Time **2 Person(s) 12 Hour(s)**

Overall Weight **781kg**

Heaviest Part **50kg**

Largest Part **3.7m x 0.5m x 0.5m**

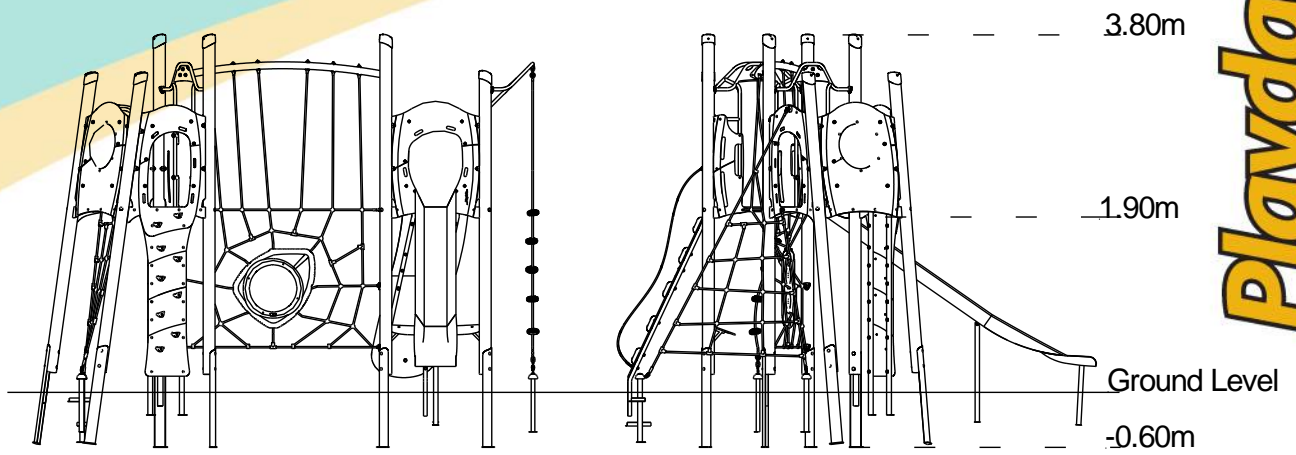
Longest Part **3.7m**

Concrete Required **0.9m³**

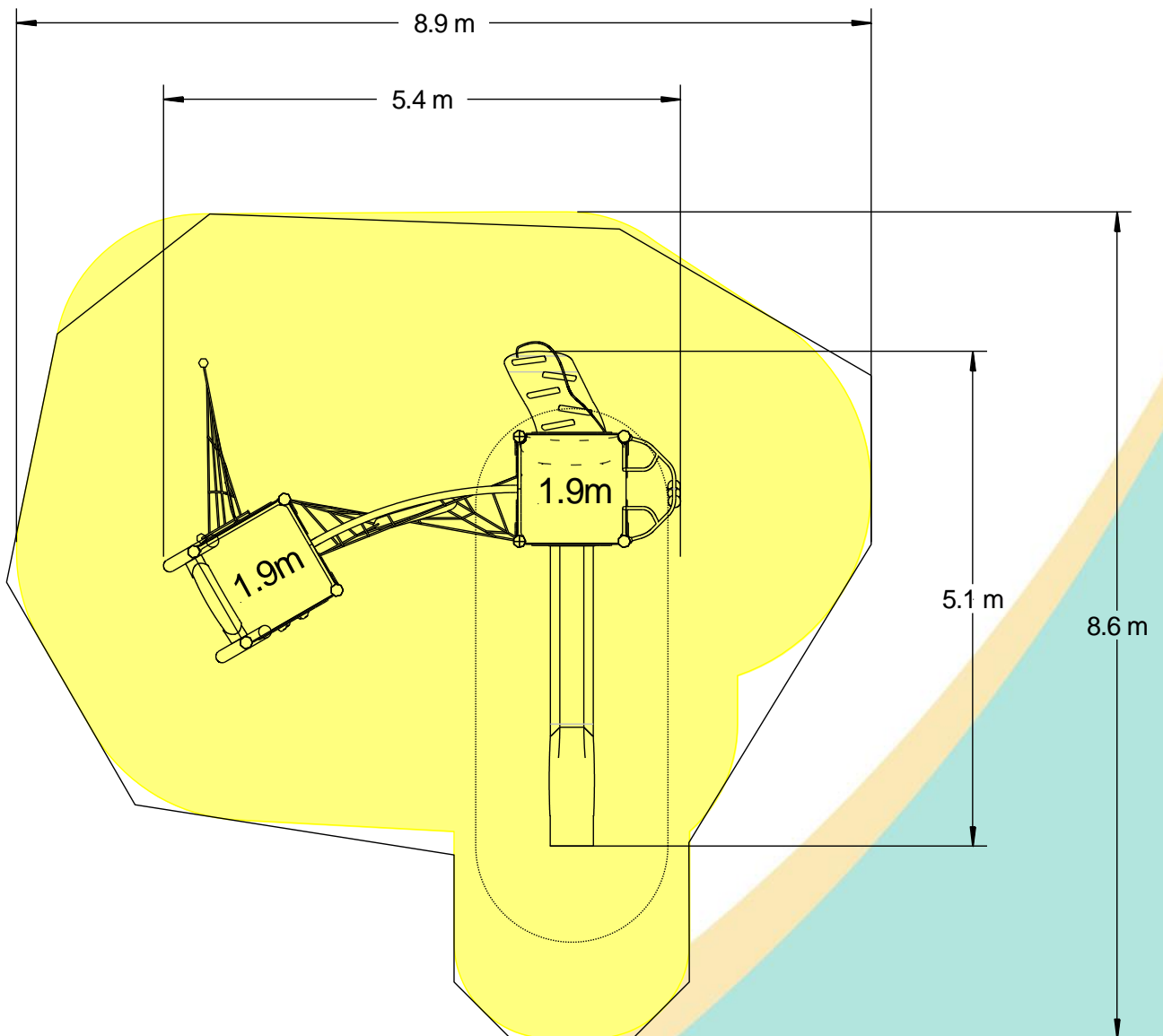
Certified to EN 1176

[Click here for more information & downloads](#)





- Impact Area
- Free Space
- Synthetic Area



[Click here for more information & downloads](#)

