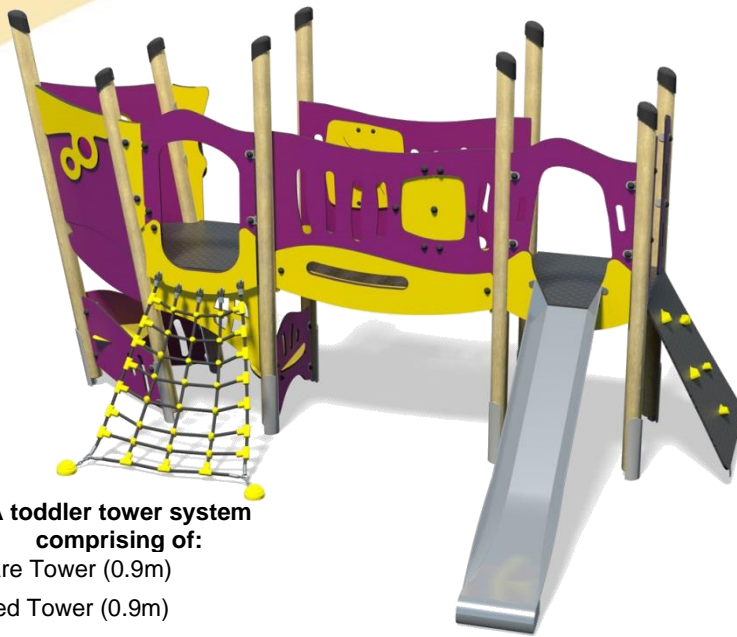


Little Hamlets – Giggleswick Plus



A toddler tower system comprising of:

- Square Tower (0.9m)
- Angled Tower (0.9m)
- Triangular Lookout Tower (0.9m)
- Slide (0.9m)
- Ladder (0.9m)
- Ramp Climber (0.9m)
- Scramble Net (0.9m)
- Bridge
- Playhouse
- Bubble Play Panel

 Option A-
Light Blue/Yellow

 Option B-
Purple/Yellow
(Shown)

 Option C-
Green

Code – LTH/GIG/*2

Age

2-5 years

Materials

Laminated Timber

Compact Grade Laminate (CGL)

Galvanised or Painted Mild Steel

Nylon Steel Cored Rope

Stainless Steel Slide

Various Plastic Mouldings

Technical Information

Equipment Dimensions

Length / Width / Height **3.9m x 3.1m x 2.2m**

Surfacing and Area Required

Recommended Minimum Space
L/W/H **7.4m x 6.4m x 3.0m**

Max Gradient of Ground **1 in 50**

Free Height of Fall **0.9m**

Impact Area **26.92m²**

Synthetic Area
(i.e. EPDM / Wetpour / Synthetic Grass etc.) **25.06m²**

Loosefill at 250mm
(i.e. Bark / Cushionfall / Sand) **10m³**

Grasslok Tiles **37m²**

Installation Information

Steel Ground Fixed

Surface Fixed
(if different)

Installation Time **2 Person(s) 14 Hour(s)**

Overall Weight **355kg**

Heaviest Part **16kg**

Largest Part **1.9m x 0.4m x 0.2m**

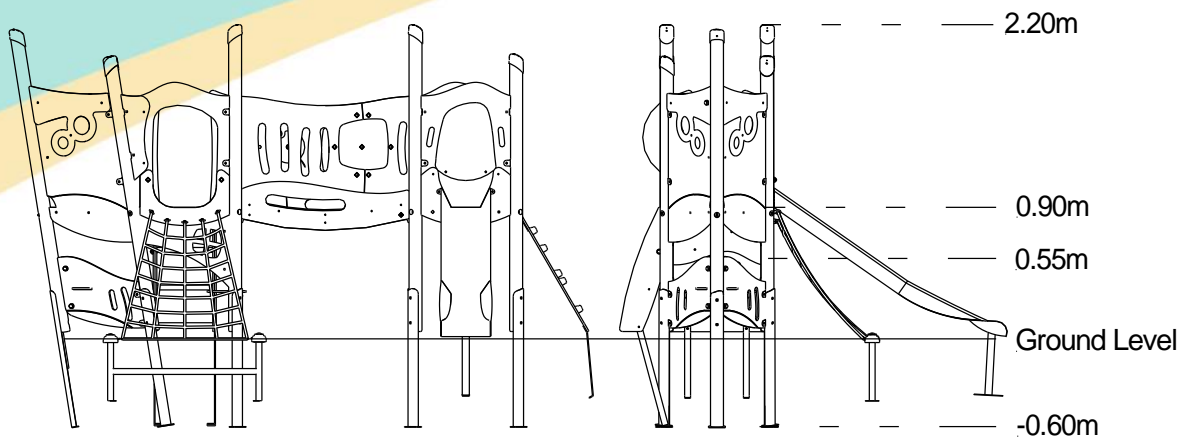
Longest Part **1.8m**

Concrete Required **1.0m³**

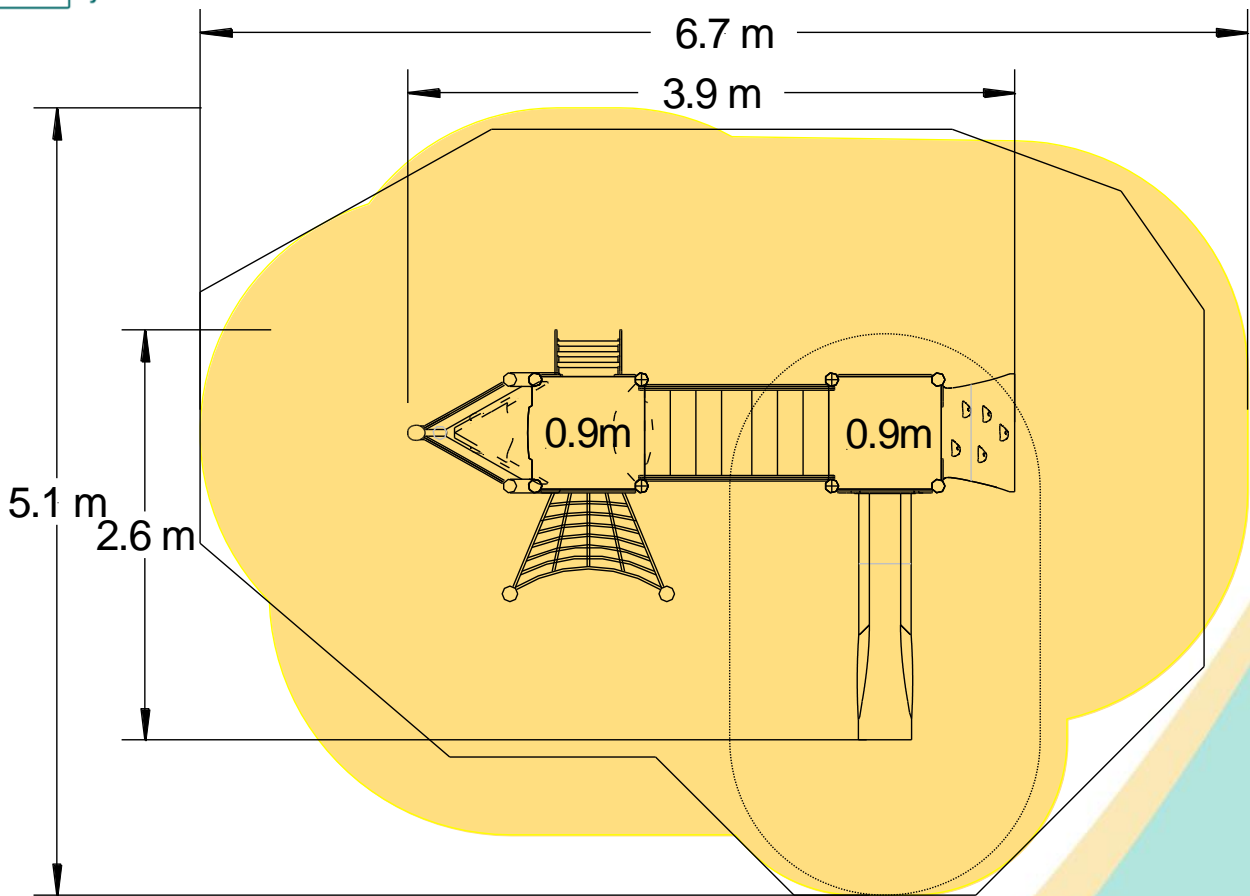
Certified to EN 1176

[Click here for more information & downloads](#)





- Impact Area
- Free Space
- Synthetic Area



[Click here for more information & downloads](#)

