

Big City Plus - Grenoble Plus



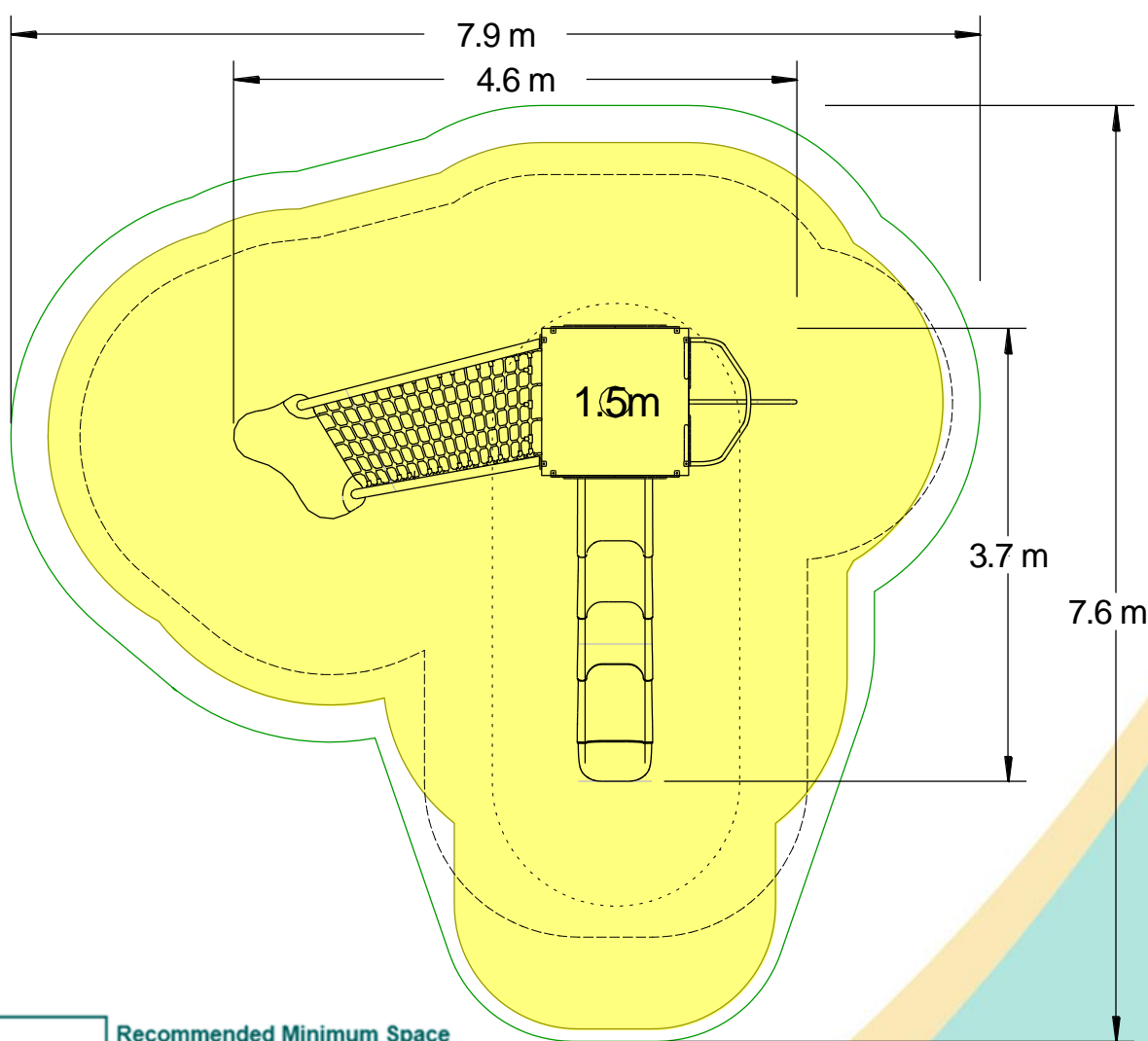
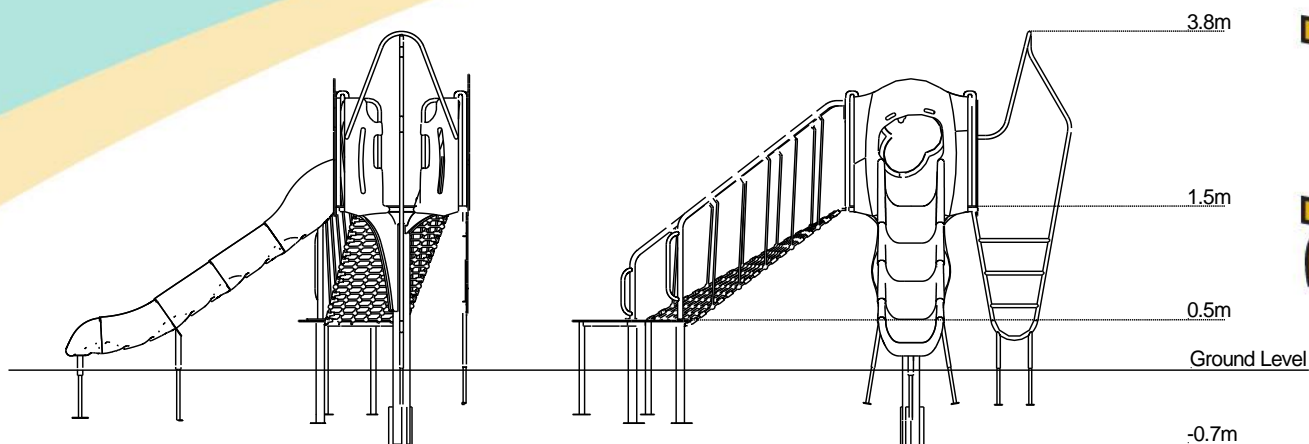
A junior modular tower system comprising of:

- Square Tower (1.5m)
- Slide (1.5m)
- Inclusive Net Access
- Side Ladder (1.5m)
- Ball Blast Above Play Panel
- Puzzle Ball Below Play Panel

Code – BC/GRE*2
Age
5-12 years
Materials
Stainless Steel
Compact Grade Laminate (CGL)
Nylon Steel Cored Rope
Various Plastic Mouldings
LLDPE Slide

Technical Information		
Equipment Dimensions		
Length / Width / Height	4.6m x 3.7m x 3.1m	
Surfacing and Area Required		
Recommended Minimum Space L/W/H	7.9m x 7.6m x 4.3m	
Max Gradient of Ground	1 in 50	
Free Height of Fall	1.5m	
Impact Area	33.21m ²	
Synthetic Area (i.e. EPDM / Wet Pour / Synthetic Grass etc.)	32.75m ²	
Loosefill at 250mm (i.e. Bark / Cushionfall / Sand)	12m ³	
GrassLok Tiles	44m ²	
Installation Information	SGF	SF (if different)
Installation Time	2 Persons 8 Hours	
Overall Weight	498kg	
Heaviest Part	40kg	
Largest Part	3.0m x 0.6m x 0.6m	
Longest Part	3.0m	
Concrete Required	0.52m ³	0.83m ³
Certified to ASTM F1487		

[Click here for more information & downloads](#) 



-  Recommended Minimum Space
-  Impact Area
-  Free Space
-  Unit Spacing Boundary

[Click here for more information & downloads](#)

