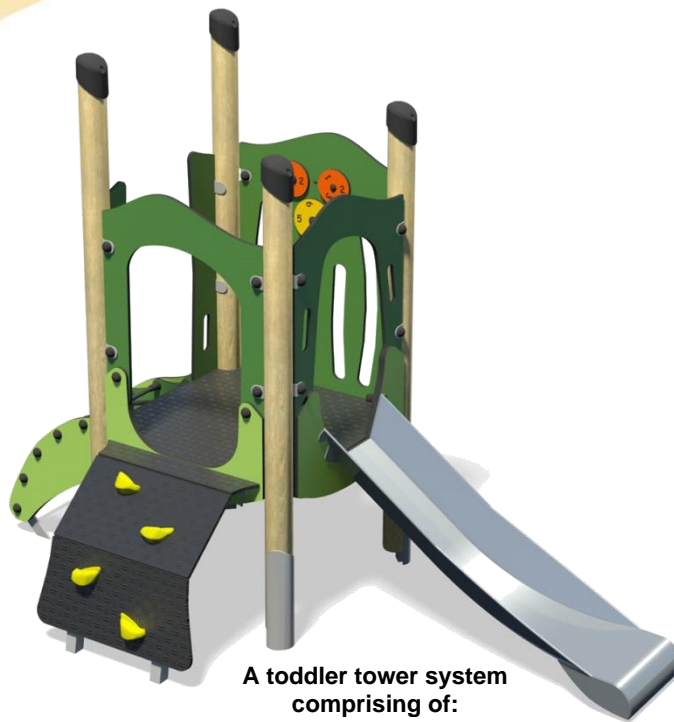


Little Hamlets – Tothill Plus



A toddler tower system comprising of:

- Square Tower (0.55m)
- Slide (0.55m)
- Arched Ramp (0.55m)
- Arched Net (0.55m)
- Adding Wheel Play Panel

 **Option A-
Light Blue/Yellow**

 **Option B-
Purple/Yellow**

 **Option C-
Green
(Shown)**

Code – LTH/OTH/*2

Age

2-5 years

Materials

Laminated Timber

Compact Grade Laminate (CGL)

Galvanised or Painted Mild Steel

Nylon Steel Cored Rope

Stainless Steel Slide

Stainless Steel

Various Plastic Mouldings

Technical Information

Equipment Dimensions

Length / Width / Height **2.3m x 1.2m x 1.9m**

Surfacing and Area Required

Recommended Minimum Space
L/W/H **6.0m x 4.8m x 3.0m**

Max Gradient of Ground **1 in 50**

Free Height of Fall **0.55m**

Impact Area **15.78m²**

Synthetic Area
(i.e. EPDM / Wetpour / Synthetic Grass etc.) **11.52m²**

Loosefill at 150mm
(i.e. Bark / Cushionfall / Sand) **4m³**

Grasslok Tiles **19m²**

Installation Information

Steel Ground Fixed

Surface Fixed
(if different)

Installation Time **2 Person(s) 6 Hour(s)**

Overall Weight **130kg**

Heaviest Part **11kg**

Largest Part **1.3m x 0.4m x 0.2m**

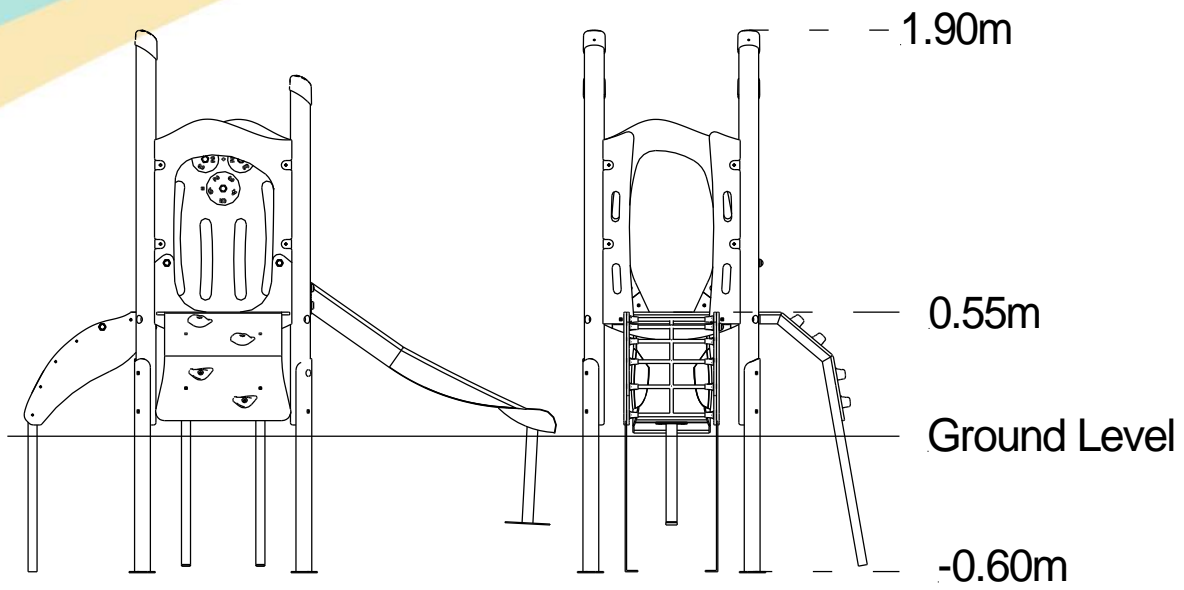
Longest Part **1.3m**

Concrete Required **0.5m³**

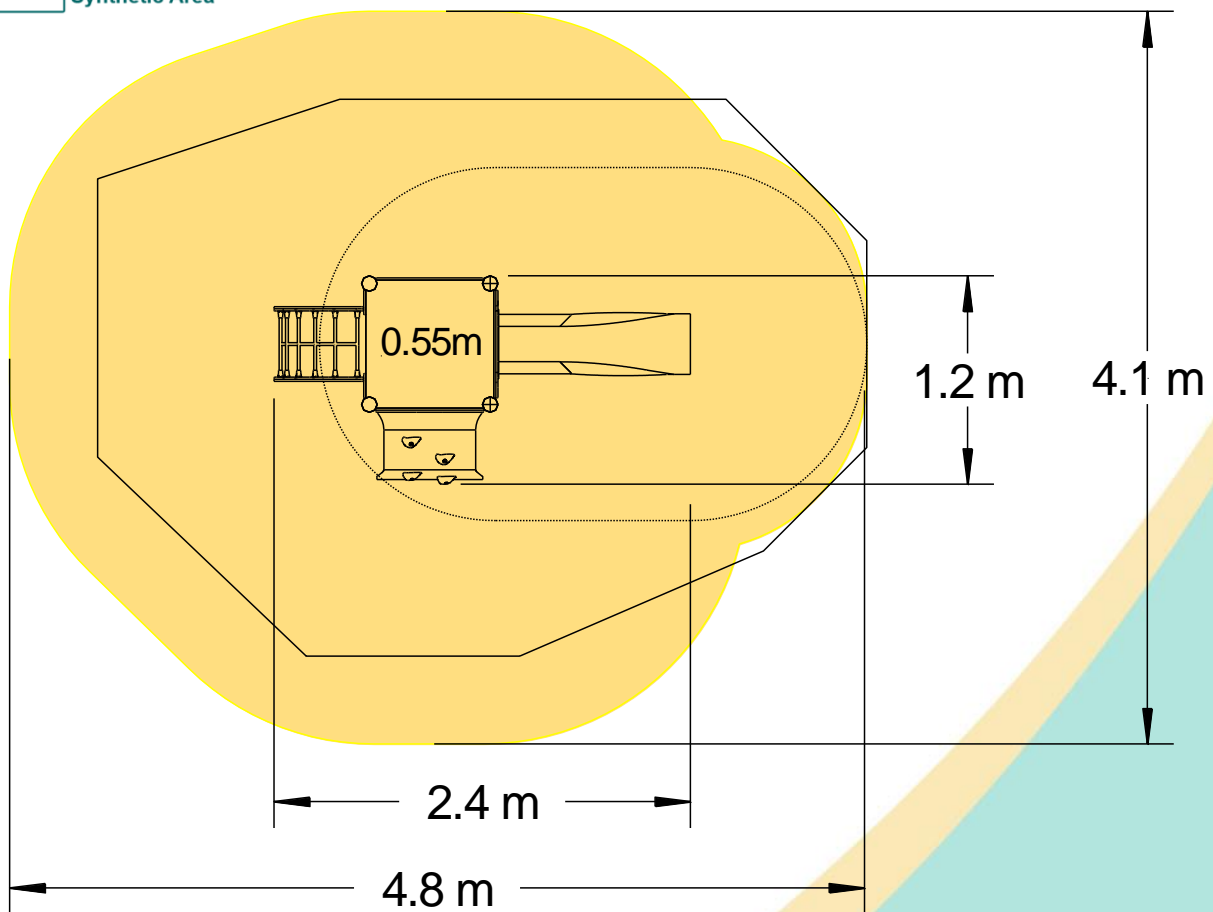
Certified to EN 1176

[Click here for more information & downloads](#)





-  Impact Area
-  Free Space
-  Synthetic Area



[Click here for more information & downloads](#)

