




Upbeat – Swift Plus



-  Option A-
Dark Blue/Yellow
-  Option B-
Purple/Lime Green
-  Option C-
Green
(Shown)

Code – JB/SWF/*1

Age
5-12 years
Materials
Laminated Timber
Compact Grade Laminate (CGL)
Galvanised or Painted Mild Steel
Nylon Steel Cored Rope
LLDPE Tube Slide
Stainless Steel
Various Plastic Mouldings

A junior tower system comprising of:

- Square Tower (2.8m)
- Square Tower (1.5m)
- Angled Tower (1.9m)
- Triangular Tower (1.9m)
- Tube Slide (2.8m)
- Fireman's Pole (1.5m)
- Climbing Wall (1.9m)
- Rope Ramp (1.5m)
- Twisted Scramble Net (1.9m)
- Inclined Net Pit
- Spider's Web
- Lookout Tower
- Square Tower Roof
- Upbeat Seat
- Hangabout Seat
- Bubble Play Panel
- Spinball Play Panel
- Ball Blast Play Panel

Technical Information

Equipment Dimensions

Length / Width / Height **8.1m x 7.6m x 5.3m**

Surfacing and Area Required

Recommended Minimum Space
L/W/H **11.9m x 10.9m x 6.5m**

Max Gradient of Ground **1 in 50**

Free Height of Fall **2.8m**

Impact Area **76.42m²**

Synthetic Area
(i.e. EPDM / Wet Pour / Synthetic Grass etc.) **75.50m²**

Loosefill at 350mm
(i.e. Bark / Cushionfall / Sand) **33m³**

GrassLok Mats **95m²**

Installation Information

Steel Ground Fixed

Surface Fixed
(if different)

Installation Time **2 Person(s) 14 Hour(s)**

Overall Weight **1594kg**

Heaviest Part **95kg**

Largest Part **3.5m x 2.2m x 2.2m**

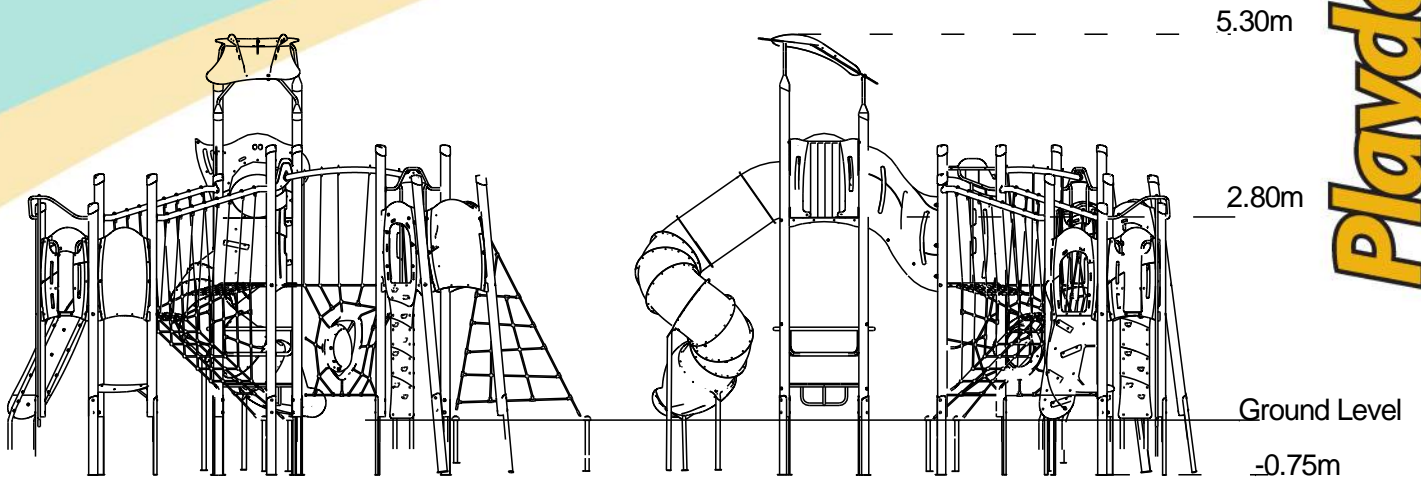
Longest Part **4.6m**

Concrete Required **1.2m³**

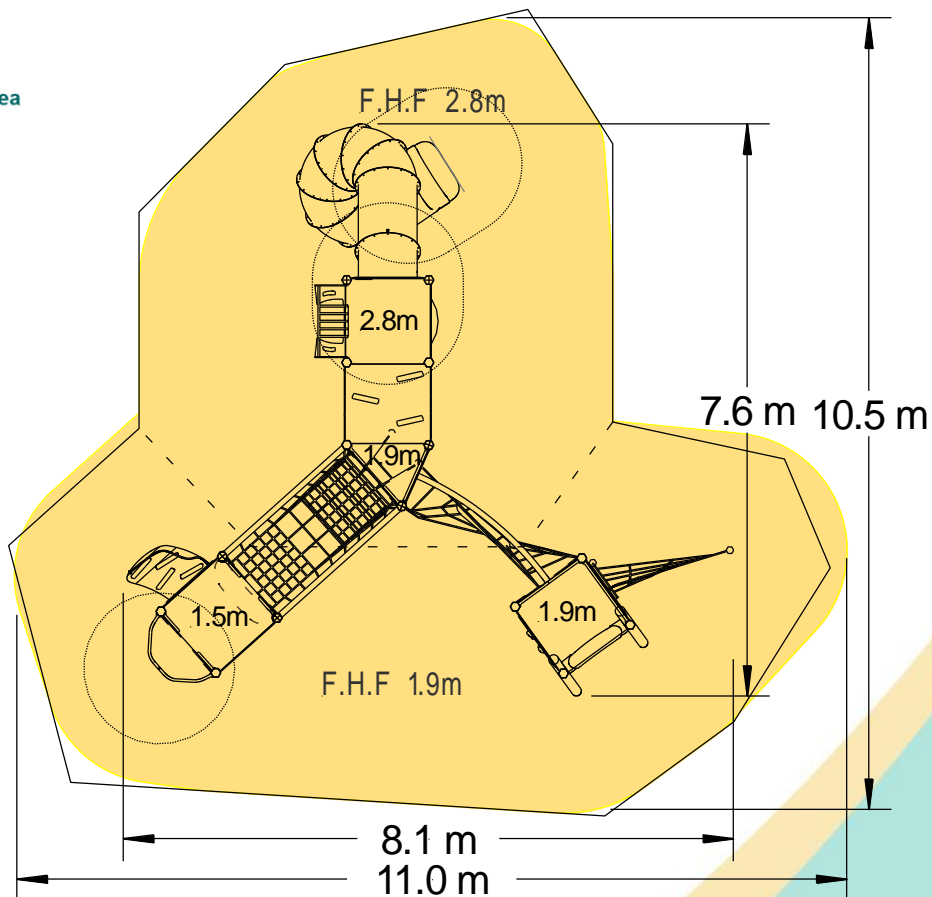
Certified to EN 1176

[Click here for more information & downloads](#)





- Impact Area
- Free Space
- Synthetic Area



[Click here for more information & downloads](#)

