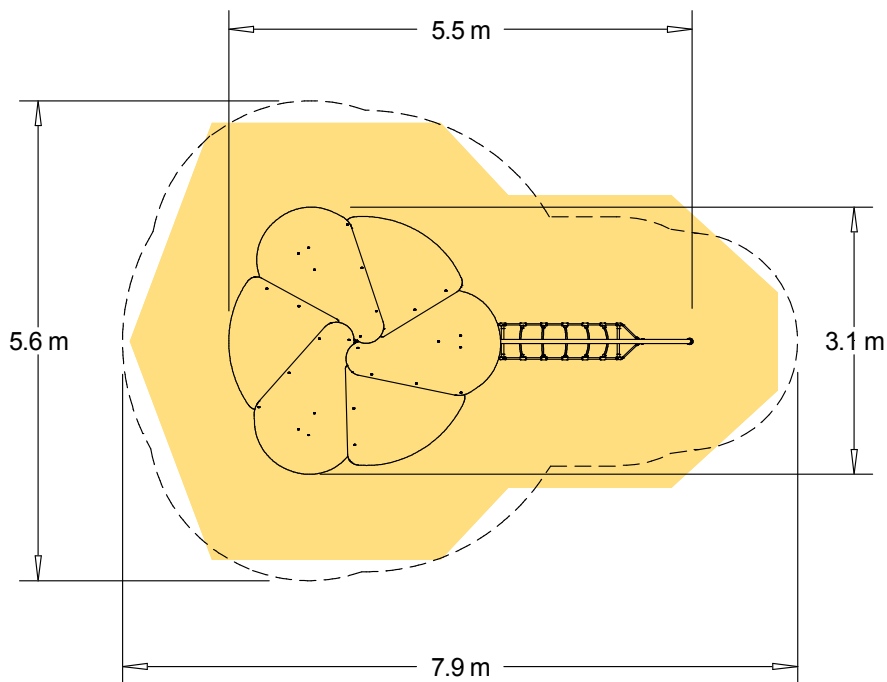
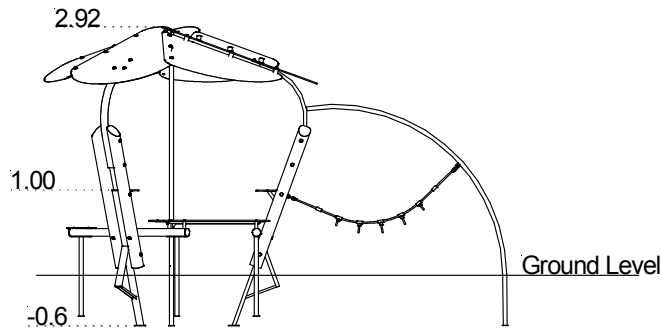


Encounter 11



Technical Information

Equipment Dimensions

Length / Width / Height **5.5 x 3.1 x 2.9m**

Surfing and Area Required

Minimum Space Required L/W/H **7.9 x 5.6 x 4.1m**

Max Gradient Of Ground **1 in 30**

Free Height Of Fall **-**

Suggested Hardstanding Area **29 m²**

Loosefill At 150mm **-**

Bark / Cushionfall / Sand **-**

Grasslok Tiles **-**

Installation Information

Overall Weight **477 kg**

Heaviest Part **28 kg**

Largest Part **2.9 x 1.5 x .05m**

Longest Part **2.9 m**

Concrete Required **0.5 m³**