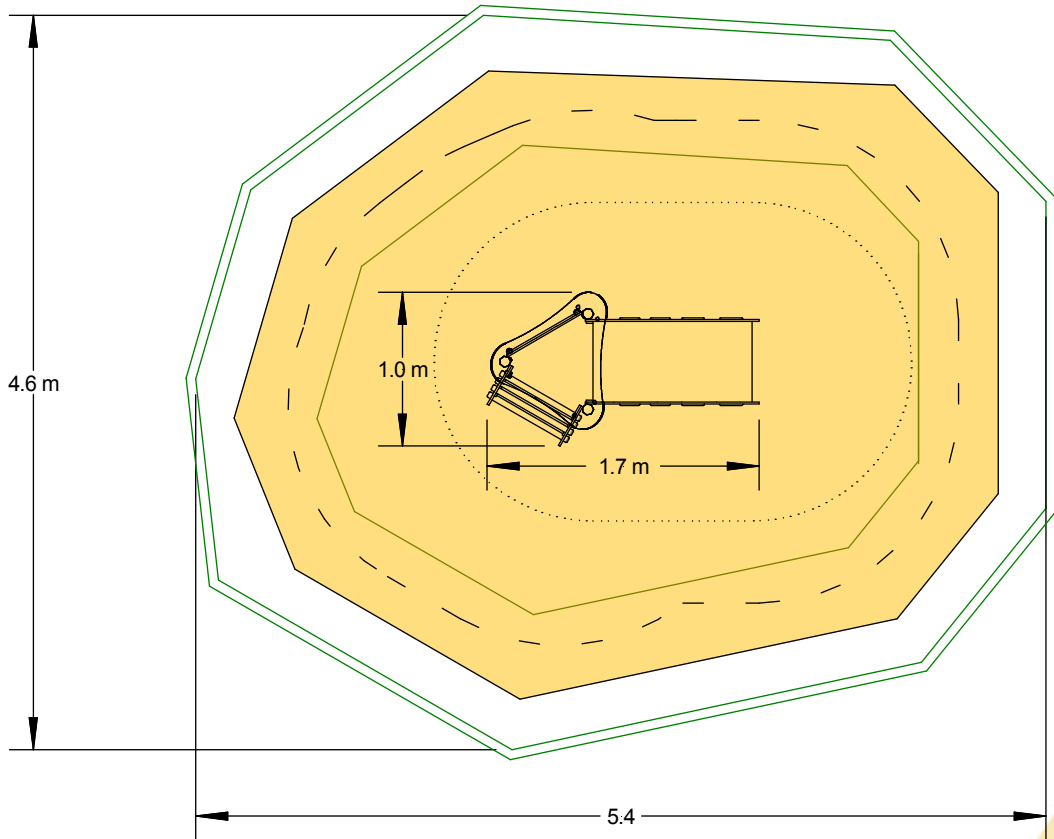
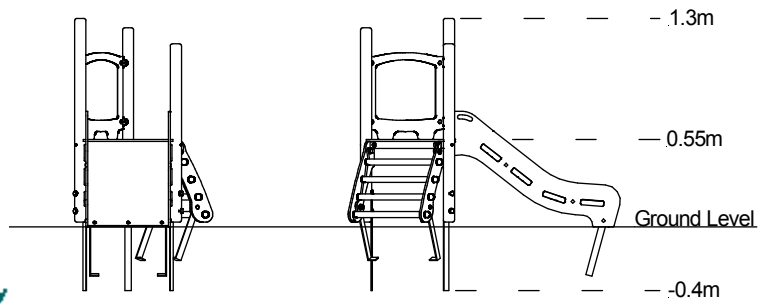


# Little Explorers Range – Grow



## Technical Information

### Equipment Dimensions

Length / Width / Height **1.7m x 1.0m x 1.3m**

### Surfacing and Area Required

Minimum Space Required LW/H **5.4m x 4.6m x 3.0m**

Max Gradient Of Ground **1 in 50**

Free Height Of Fall **0.55m**

Impact Area **8.80m<sup>2</sup>**

Loosefill At 150mm **3m<sup>3</sup>**

Bark / Cushionfall / Sand **15 m<sup>2</sup>**

Grasslok **15 m<sup>2</sup>**

### Installation Information

Overall Weight **60kg**

Heaviest Part **30kg**

Largest Part **1.3m x 0.4m x 0.55m**

Longest Part **1.3m**

Concrete Required **0.2m<sup>3</sup>**

**COMPLIES TO BS EN 1176**