

## Jukebox – Samba Plus



-  Option A-  
Dark Blue/Yellow
-  Option B-  
Purple/Lime Green
-  Option C-  
Green  
(Shown)

Code – JB/SAM/*2	
Age	5-12 years
Materials	Laminated Timber Compact Grade Laminate (CGL) Galvanised or Painted Mild Steel Nylon Steel Cored Rope Stainless Steel Slide Stainless Steel Various Plastic Mouldings

### A junior modular tower system comprising of:

- Square Tower (1.5m)
- Slide (1.5m)
- Climbing Wall (1.5m)
- Rope Climb (1.5m)
- Tunnel Access

### Technical Information

#### Equipment Dimensions

Length / Width / Height **6.1m x 2.2m x 3.4m**

#### Surfacing and Area Required

Recommended Minimum Space  
L/W/H **9.9m x 5.9m x 4.6 m**

Max Gradient of Ground **1 in 50**

Free Height of Fall **1.5m**

Impact Area **34.19m<sup>2</sup>**

Synthetic Area  
(i.e. EPDM / Wetpour / Synthetic Grass etc.) **33.73m<sup>2</sup>**

Loosefill at 250mm  
(i.e. Bark / Cushionfall / Sand) **11m<sup>3</sup>**

Grasslok Tiles **44m<sup>2</sup>**

#### Installation Information

Steel Ground Fixed

Surface Fixed  
(if different)

Installation Time **2 Person(s) 8 Hour(s)**

Overall Weight **443kg**

Heaviest Part **40kg**

Largest Part **3.1m x 0.5m x 0.5m**

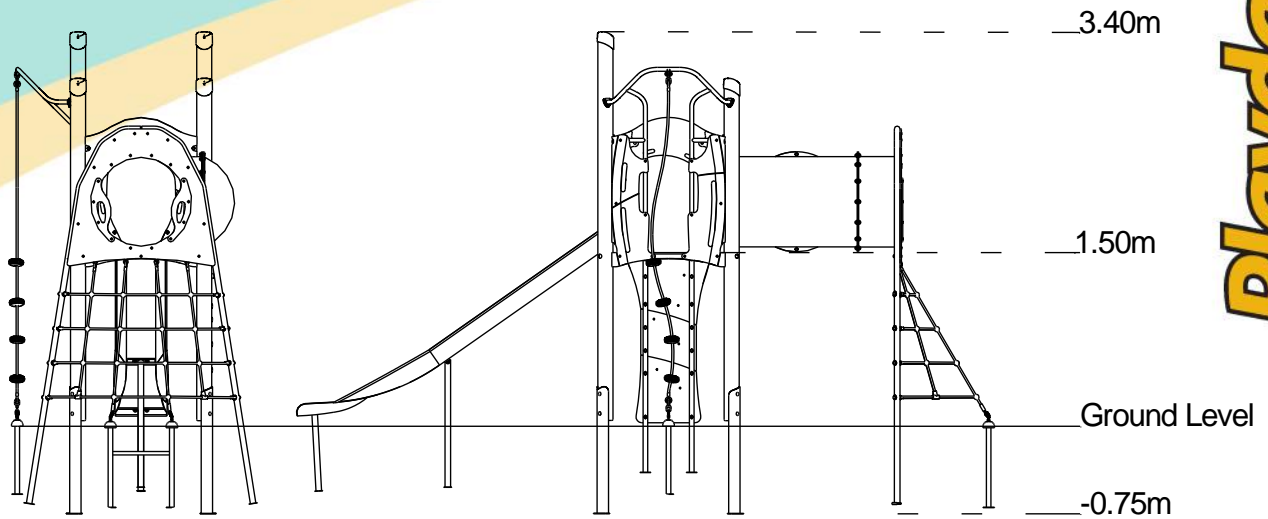
Longest Part **3.3m**

Concrete Required **0.8m<sup>3</sup>**

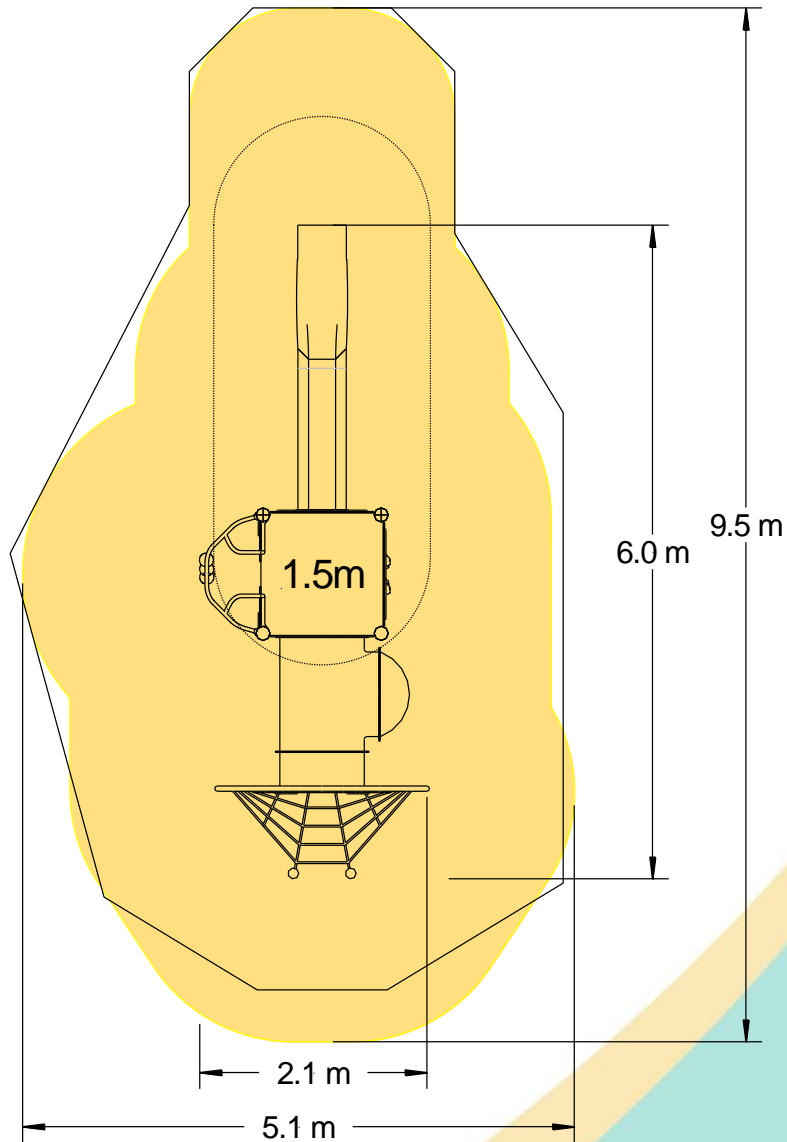
Certified to EN 1176

[Click here for more information & downloads](#)





-  Impact Area
-  Free Space
-  Synthetic Area



[Click here for more information & downloads](#)

