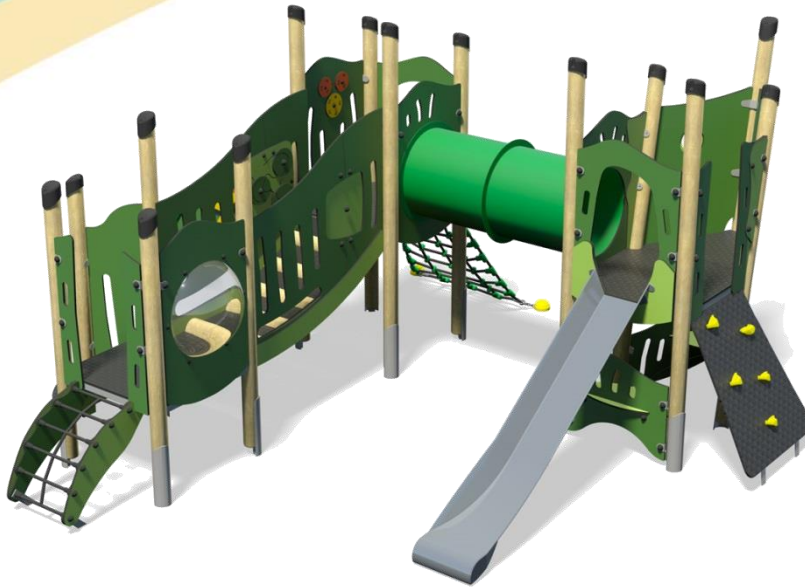


# Little Hamlets – Merrymeet Plus



-  Option A-  
Light Blue/Yellow
-  Option B-  
Purple/Yellow
-  Option C-  
Green  
(Shown)

## A toddler tower system comprising of:

- Square Tower (0.55m)
- Square Tower (0.9m)
- Angled Tower (0.9m)
- Triangular Lookout Tower (0.9m)
- Slide (0.9m)
- Ramp Climber (0.9m)
- Transfer Platform
- Arched Net (0.55m)
- Scramble Net (0.9m)
- Inclined Bridge
- Tunnel
- Playhouse
- Adding Wheel Play Panel
- Bubble Play Panel
- Tactile Lion Play Panel

## Code – LTH/MER/\*2

<b>Age</b>
2-5 years
<b>Materials</b>
Laminated Timber
Compact Grade Laminate (CGL)
Galvanised or Painted Mild Steel
Nylon Steel Cored Rope
Stainless Steel Slide
Stainless Steel
Sawn Timber
Various Plastic Mouldings

## Technical Information

### Equipment Dimensions

Length / Width / Height **4.4m x 4.0m x 2.2m**

### Surfacing and Area Required

Recommended Minimum Space  
L/W/H **7.6m x 7.2m x 3.4m**

Max Gradient of Ground **1 in 50**

Free Height of Fall **0.9m**

Impact Area **35.464m<sup>2</sup>**

Synthetic Area  
(i.e. EPDM / Wetpour / Synthetic Grass etc.) **30.83m<sup>2</sup>**

Loosefill at 250mm  
(i.e. Bark / Cushionfall / Sand) **12m<sup>3</sup>**

Grasslok Tiles **41m<sup>2</sup>**

### Installation Information

Steel Ground Fixed

Surface Fixed  
(if different)

Installation Time **2 Person(s) 18 Hour(s)**

Overall Weight **504kg**

Heaviest Part **16kg**

Largest Part **1.9m x 0.4m x 0.2m**

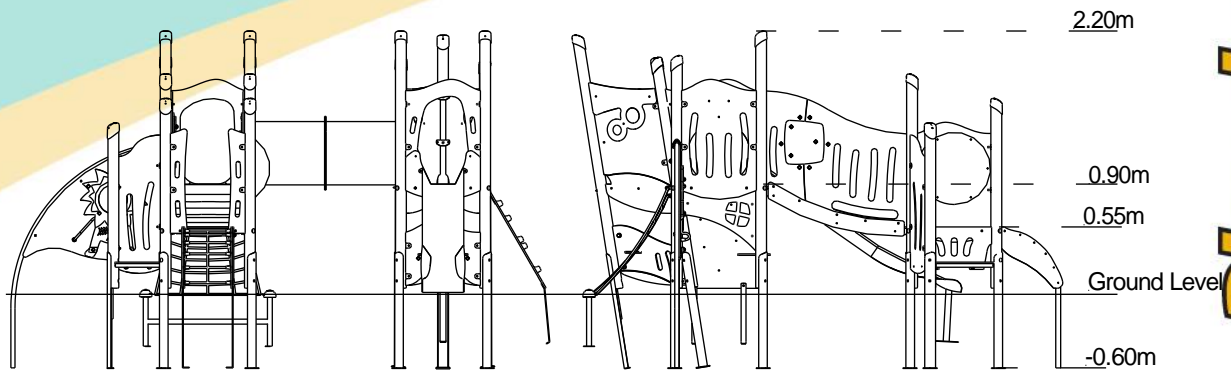
Longest Part **1.9m**

Concrete Required **1.2m<sup>3</sup>**

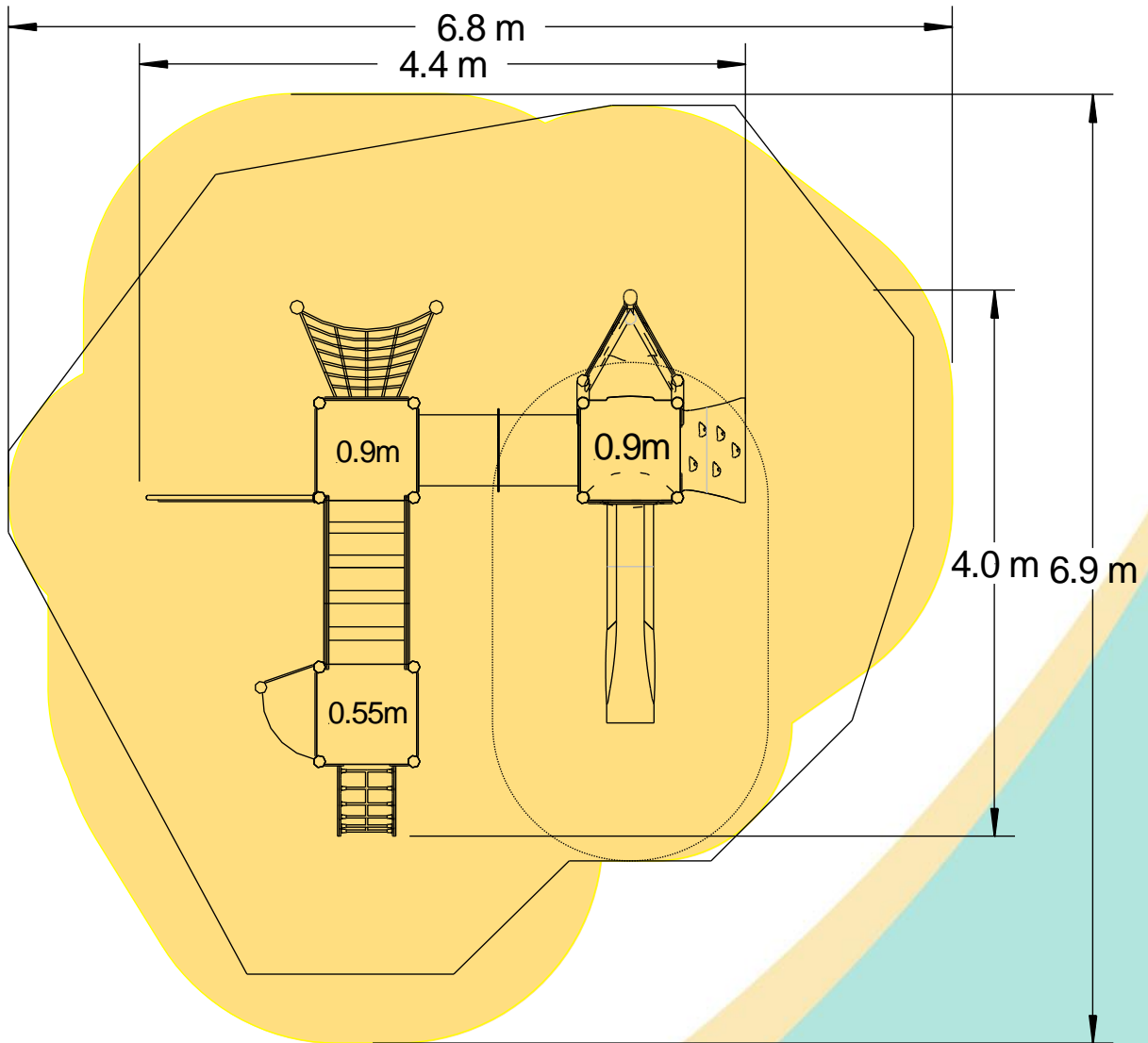
Certified to EN 1176

[Click here for more information & downloads](#)





- Impact Area
- Free Space
- Synthetic Area



[Click here for more information & downloads](#)

