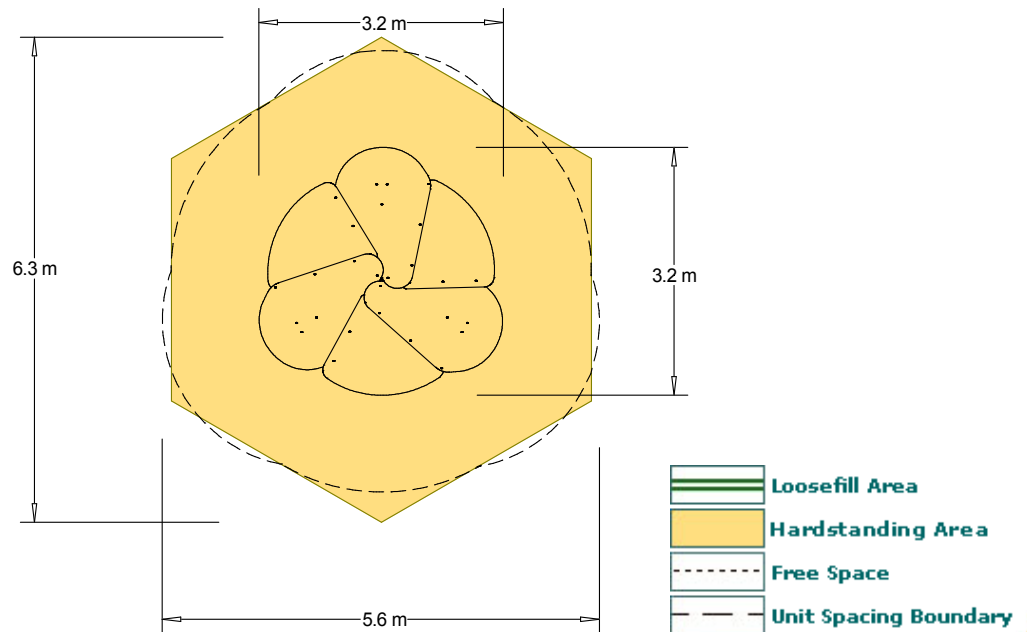
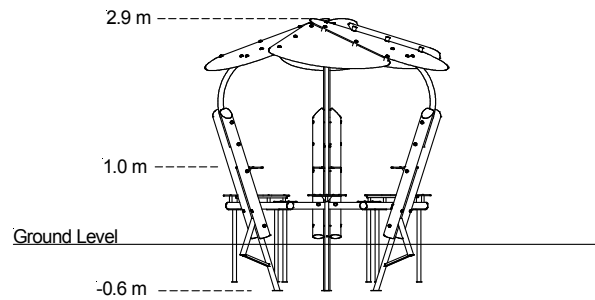


# Encounter 10



## Technical Information

### Equipment Dimensions

Length / Width / Height **3.2 x 3.2 x 2.9m**

### Surfacing and Area Required

Minimum Space Required L/W/H **6.3 x 5.6 x 4.1m**

Max Gradient Of Ground **1 in 30**

Free Height Of Fall **-**

Suggested Hardstanding Area **25.46 m<sup>2</sup>**

Loosefill At 150mm **-**

Bark / Cushionfall / Sand **-**

Grasslok Tiles **-**

### Installation Information

Overall Weight **435 kg**

Heaviest Part **28 kg**

Largest Part **2.0 x 1.3 x 0.02m**

Longest Part **3.5m**

Concrete Required **0.57 m<sup>3</sup>**