



Mountain Tower Plus - Everest



A junior tower system comprising of:

- 4 Floor Hexagonal Tower
- Square Tower (1.5m)
- Square Tower (1.9m)
- Tube Slide (3.3m)
- Spiral Slide (5.1m)
- Inverted Climber (1.5m)
- Climbing Wall (1.9m)
- Rope Ramp (1.5m)
- Twisted Scramble Net (1.9m)
- Net Tunnel (1.5m)
- Sky Net
- Arched Tunnel
- Inclined Net Pit
- Bubble Panel

-  **Option A-
Dark Blue/Yellow
(Shown)**
-  **Option B-
Purple/Lime Green**
-  **Option C-
Green**

Code – MTN/EVE/*2

Age
5-12 years
Materials
Laminated Timber
Compact Grade Laminate (CGL)
Galvanised or Painted Mild Steel
Nylon Steel Cored Rope
Stainless Steel Tube Slide
Sawn Timber
Various Plastic Mouldings

Technical Information

Equipment Dimensions

Length / Width / Height **11.0m x 8.8m x 10.1m**

Surfacing and Area Required

Recommended Minimum Space
L/W/H **15.1m x 12.8m x 11.3m**

Max Gradient of Ground **1 in 50**

Free Height of Fall **1.9m**

Impact Area **103.45m²**

Synthetic Area
(i.e. EPDM / Wet Pour / Synthetic Grass etc.) **102.00m²**

Loosefill at 250mm
(i.e. Bark / Cushionfall / Sand) **35m³**

GrassLok Tiles **131m²**

Installation Information

Steel Ground Fixed

**Surface Fixed
(if different)**

Installation Time **4 Person(s) 72 Hour(s)**

Overall Weight **3577kg**

Heaviest Part **171kg**

Largest Part **2.3m x 1.9m x 3.6m**

Longest Part **4.0m**

Concrete Required **2.3m³**

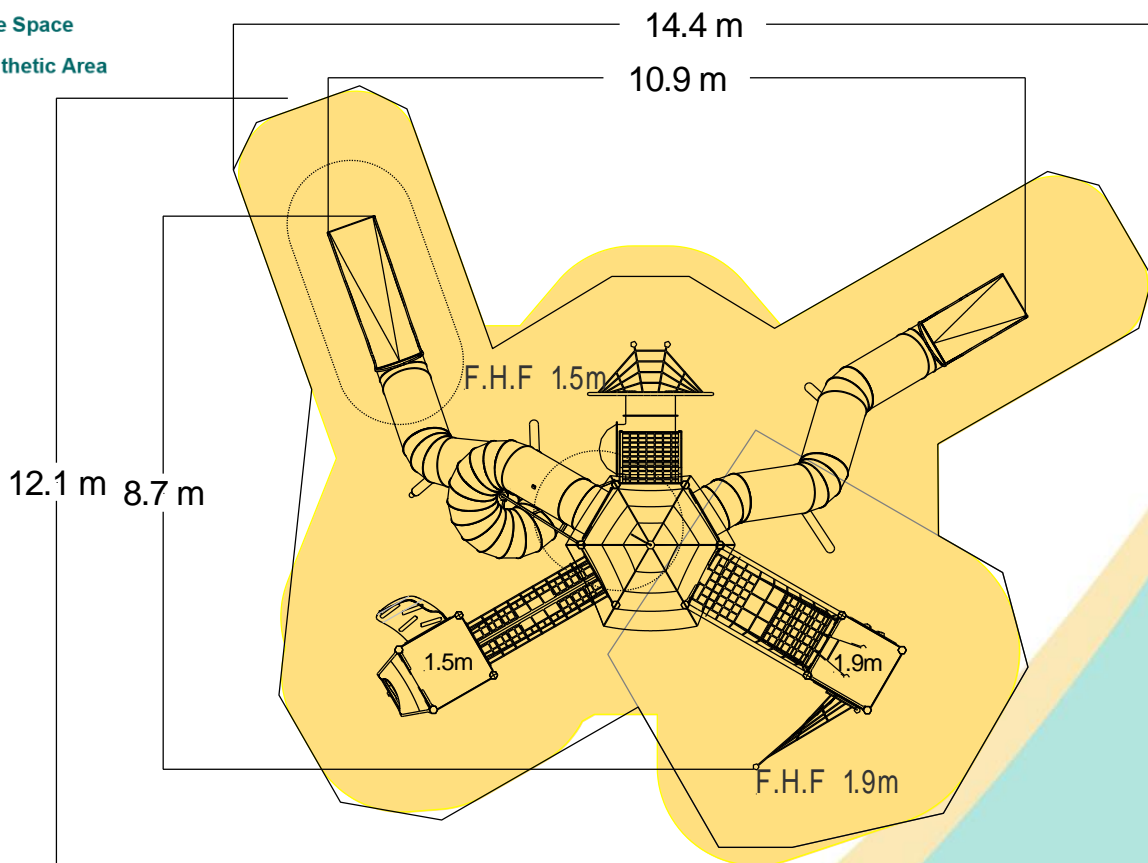
Certified to EN 1176

[Click here for more information & downloads](#)





- Impact Area
- Free Space
- Synthetic Area



[Click here for more information & downloads](#)