

Upbeat – Apace Plus



A junior tower system comprising of:

- Square Tower (2.8m)
- 3 x Square Towers (1.9m)
- Stainless Steel Wide Slide (1.9m)
- Inverted Climber (1.9m)
- Climbing Wall (1.9m)
- Rope Ramp (1.9m)
- Inclusive Access
- Ring Crawl Tunnel
- Tunnel
- Net Tunnel (1.9m)
- Bridge
- Inclined Bridge
- Inclined Net Pit
- Tube Slide (2.8m)
- Rope Weaver
- Lookout Tower
- Square Tower Roof
- Upbeat Seat
- Bubble Play Panel
- Ball Blast Play Panel
- Ball Maze Play Panel

 **Option A-**
Dark Blue/Yellow

 **Option B-**
Purple/Lime Green

 **Option C-**
Green
(Shown)

Code – JB/APC/*2

Age
5-12 years
Materials
Laminated Timber
Compact Grade Laminate (CGL)
Galvanised or Painted Mild Steel
Nylon Steel Cored Rope
Stainless Steel Tube Slide
Stainless Steel Wide Slide
Various Plastic Mouldings

Technical Information

Equipment Dimensions

Length / Width / Height **12.9m x 8.2m x 5.3m**

Surfacing and Area Required

Recommended Minimum Space L/W/H **15.7m x 12.1m x 6.5m**

Max Gradient of Ground **1 in 50**

Free Height of Fall **2.8m**

Impact Area **105.07m²**

Synthetic Area (i.e. EPDM / Wet Pour / Synthetic Grass etc.) **104.23m²**

Loosefill at 350mm (i.e. Bark / Cushionfall / Sand) **49m³**

GrassLok Tiles **129m²**

Installation Information

Steel Ground Fixed

Surface Fixed
(if different)

Installation Time **2 Person(s) 20 Hour(s)**

Overall Weight **3330kg**

Heaviest Part **201kg**

Largest Part **3.5m x 3.4m x 2.2m**

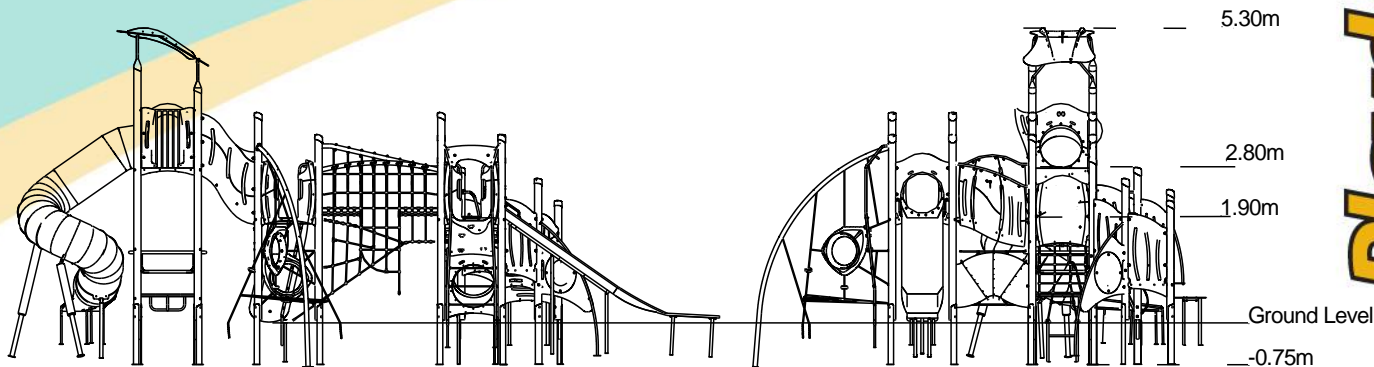
Longest Part **4.6m**

Concrete Required **2.0m³**

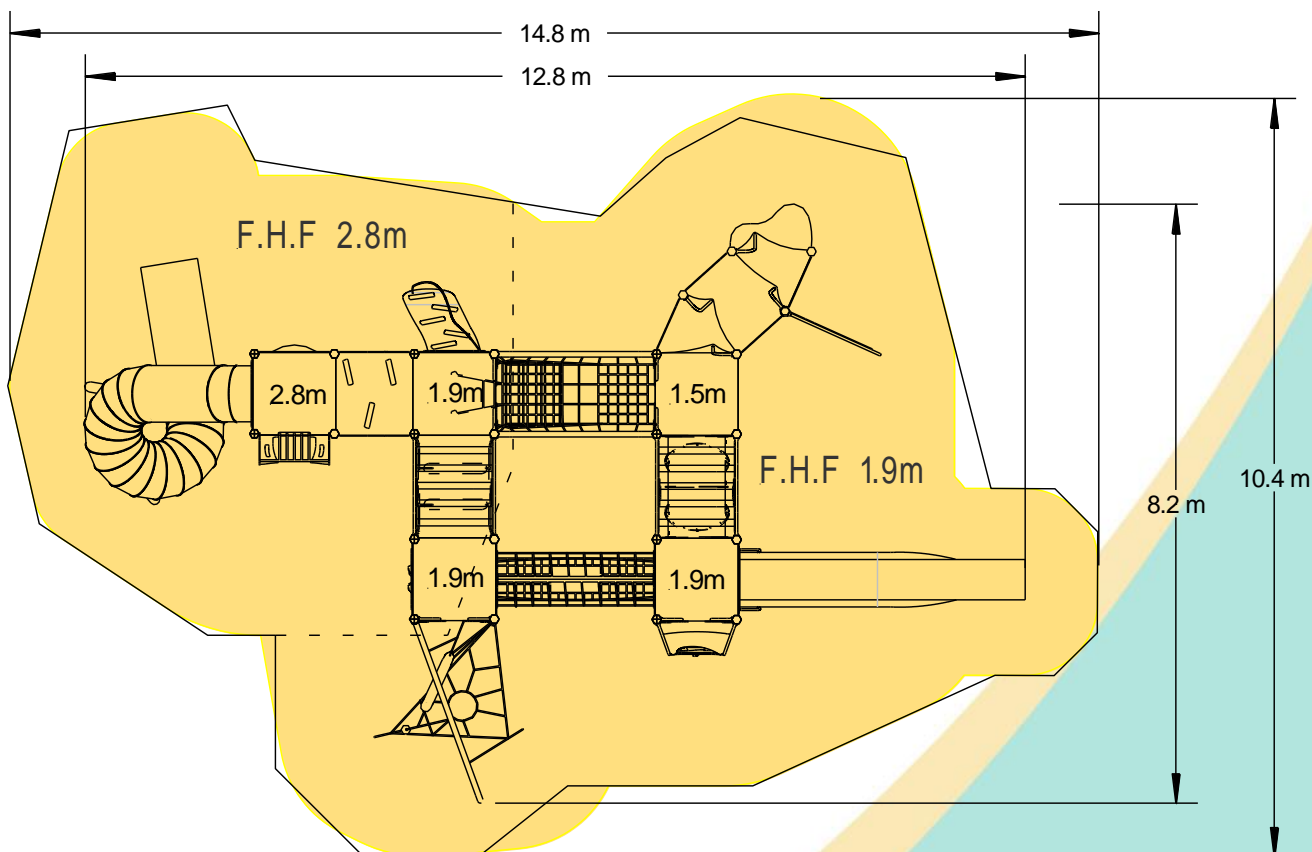
Certified to EN 1176

[Click here for more information & downloads](#)





- Impact Area
- Free Space
- Synthetic Area



[Click here for more information & downloads](#)

