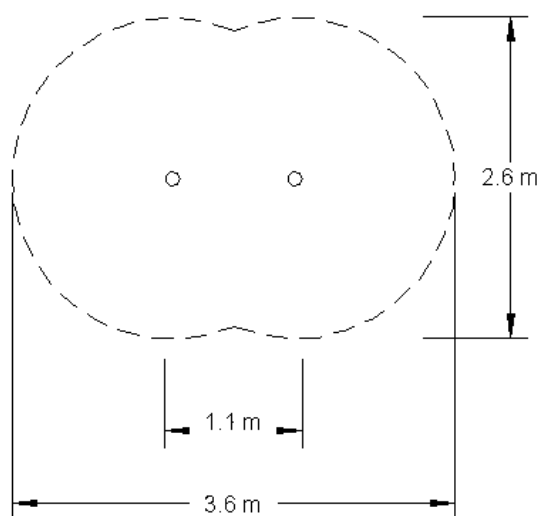
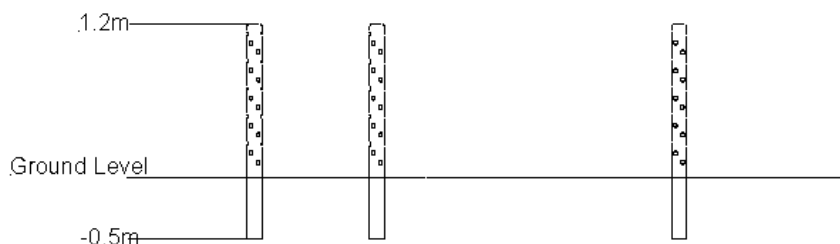


# Weave Poles (Configuration 2)



- Loosefill Area
- Suggested Hardstanding
- Free Space
- Unit Spacing Boundary

| <b>Technical Information</b>       |                           |
|------------------------------------|---------------------------|
| <b>Equipment Dimensions</b>        |                           |
| Length / Width / Height            | <b>0.1m x 1.1m x 1.2m</b> |
| <b>Surfacing and Area Required</b> |                           |
| Minimum Space Required L/W/H       | <b>2.6m x 3.6m x 2.8m</b> |
| Max Gradient Of Ground             | <b>1 in 30</b>            |
| Free Height Of Fall                | <b>n/a</b>                |
| Hardstanding                       | <b>n/a</b>                |
| <b>Installation Information</b>    |                           |
| Overall Weight                     | <b>33kg</b>               |
| Heaviest Part                      | <b>15kg</b>               |
| Largest Part                       | <b>1.8m x 0.1m</b>        |
| Longest Part                       | <b>1.8m</b>               |
| Concrete Required                  | <b>0.13m<sup>3</sup></b>  |

**Note:** To avoid the risk of injury Playdale would recommend the removal of the rope(s) from the play area when the unit is left unsupervised and stored out of reach of children.