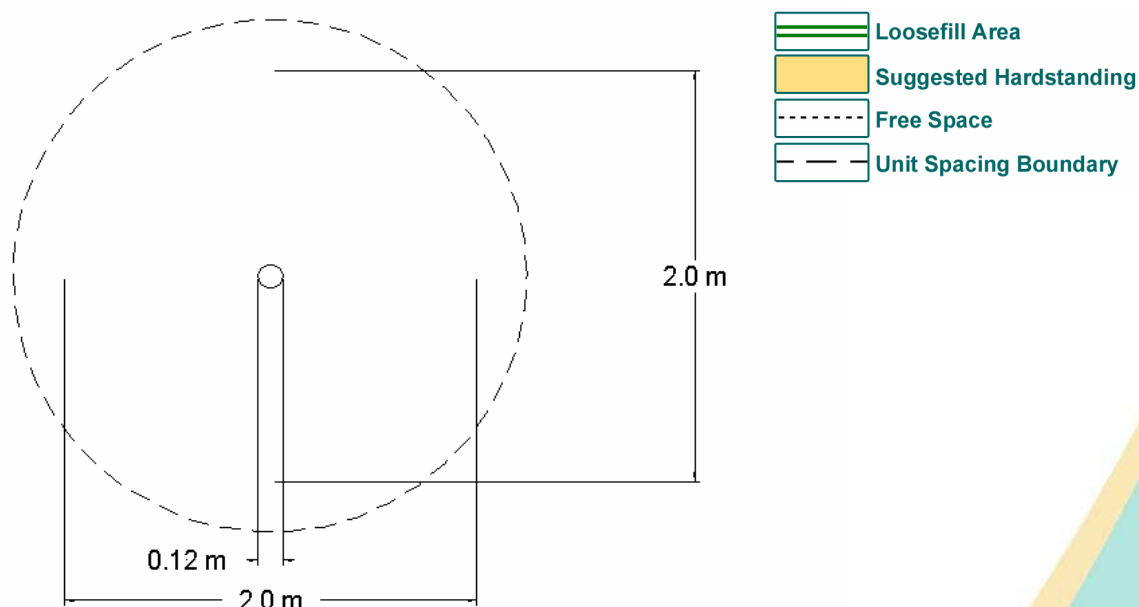
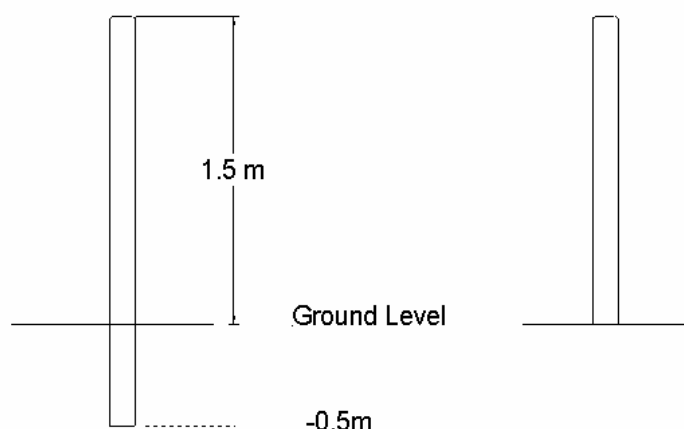


Den Poles – Large Pole



Technical Information

Equipment Dimensions

Length / Width / Height **0.12m x 0.12m x 1.5m**

Surfacing and Area Required

Minimum Space Required L/W/H **2.0m x 2.0m x 2.4m**

Max Gradient Of Ground **1:20**

Free Height Of Fall **n/a**

Hardstanding **n/a**

Installation Information

Overall Weight **18kg**

Heaviest Part **18kg**

Largest Part **2.0m x 0.14m**

Longest Part **2.0m**

Concrete Required **0.05m³**