

Jukebox – Samba Plus



A junior modular tower system comprising of:

- Square Tower (1.5m)
- Slide (1.5m)
- Climbing Wall (1.5m)
- Rope Climb (1.5m)
- Tunnel Access

-  Option A-
Dark Blue/Yellow
-  Option B-
Purple/Lime Green
-  Option C-
Green
(Shown)

Code – JB/SAM/*1	
Age	5-12 years
Materials	Laminated Timber Compact Grade Laminate (CGL) Galvanised or Painted Mild Steel Nylon Steel Cored Rope LLDPE Slide Stainless Steel Various Plastic Mouldings

Technical Information

Equipment Dimensions

Length / Width / Height **5.9m x 2.2m x 3.4m**

Surfacing and Area Required

Recommended Minimum Space
L/W/H **9.7m x 5.9m x 4.6m**

Max Gradient of Ground **1 in 50**

Free Height of Fall **1.5m**

Impact Area **34.29m²**

Synthetic Area
(i.e. EPDM / Wetpour / Synthetic Grass etc.) **33.66m²**

Loosefill at 250mm
(i.e. Bark / Cushionfall / Sand) **11m³**

Grasslok Tiles **44m²**

Installation Information

Steel Ground Fixed

Surface Fixed
(if different)

Installation Time **2 Person(s) 8 Hour(s)**

Overall Weight **451kg**

Heaviest Part **40kg**

Largest Part **3.4m x 1.0m x 1.7m**

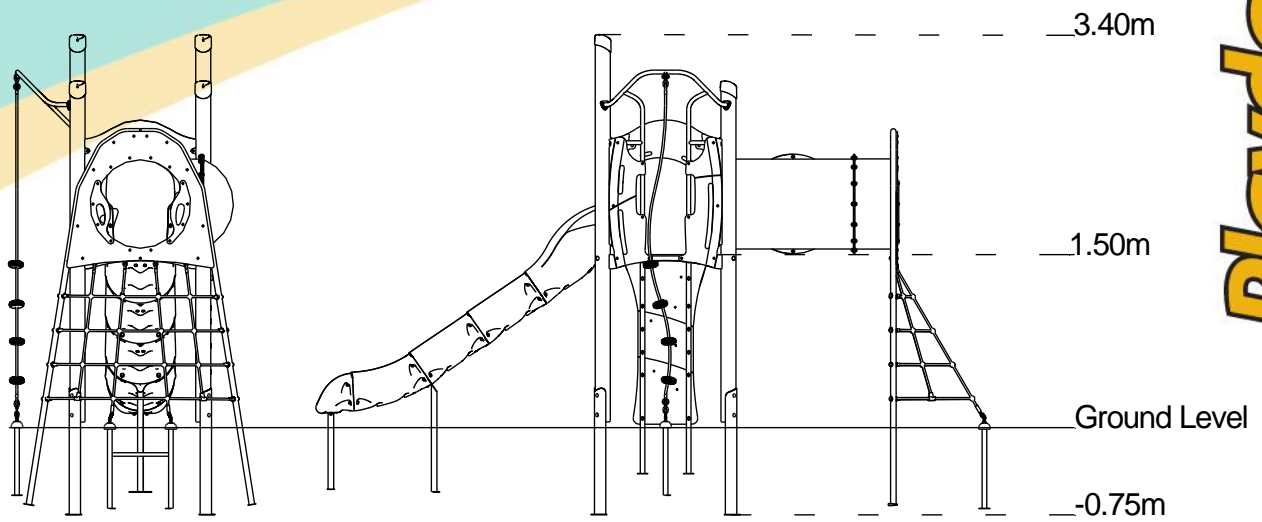
Longest Part **3.4m**

Concrete Required **0.8m³**

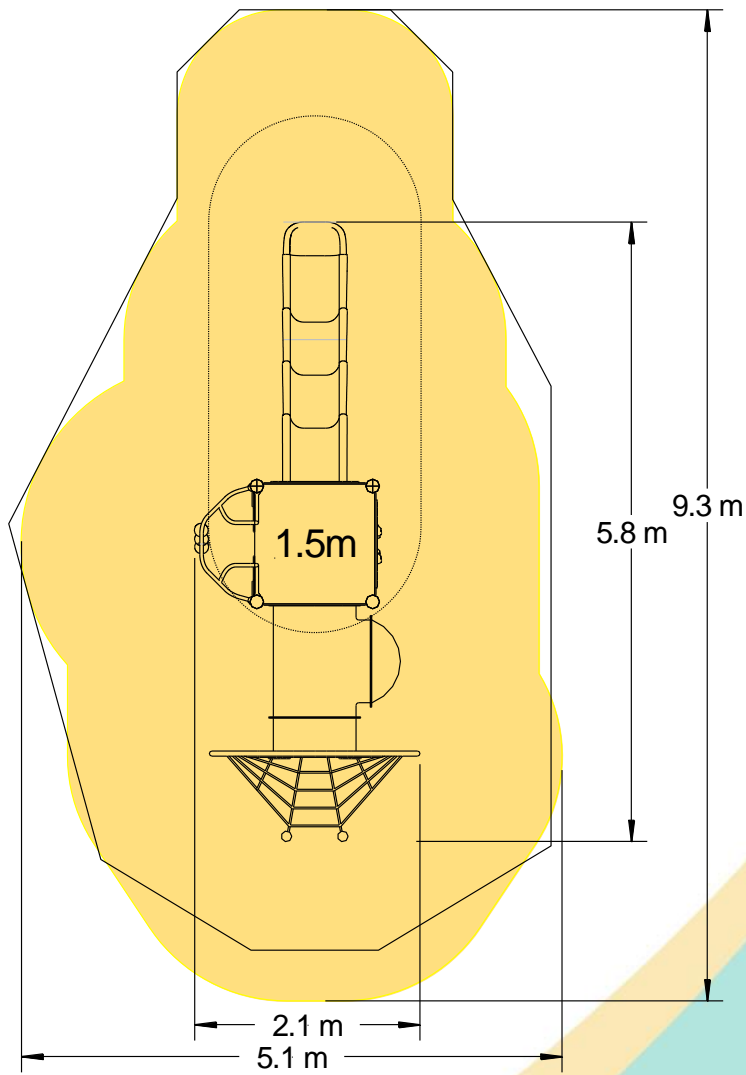
Certified to EN 1176

[Click here for more information & downloads](#)





- Impact Area
- Free Space
- Synthetic Area



[Click here for more information & downloads](#)

