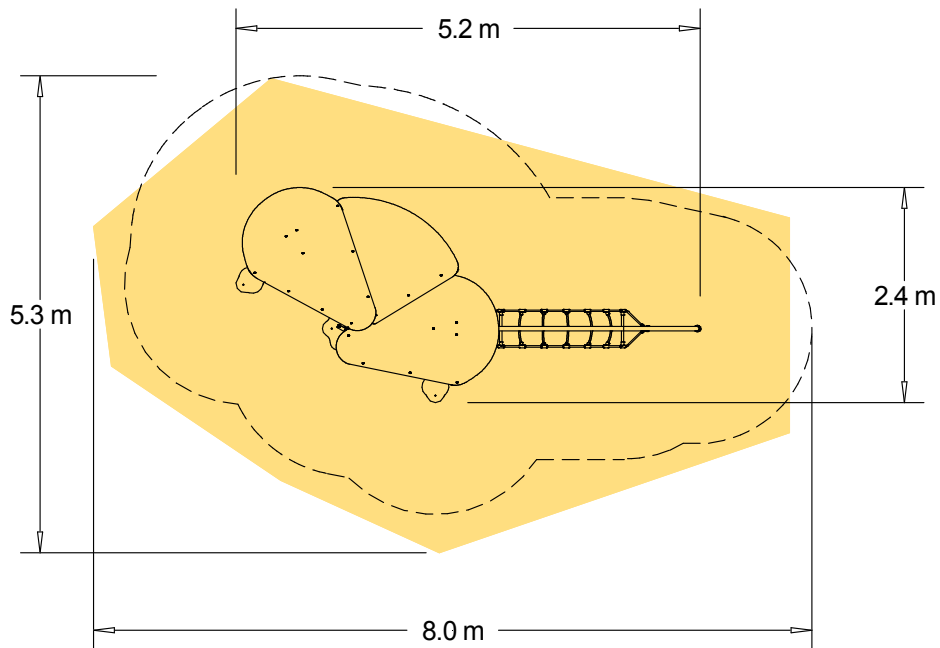
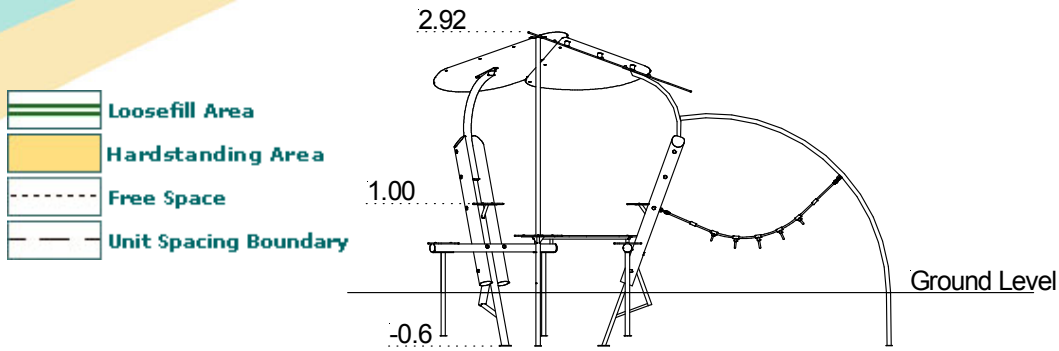


Encounter 8



Technical Information	
Equipment Dimensions	
Length / Width / Height	5.2 x 2.4 x 2.9m
Surfacing and Area Required	
Minimum Space Required L/W/H	8.0 x 5.4 x 4.1m
Max Gradient Of Ground	1 in 30
Free Height Of Fall	-
Suggested Hardstanding Area	28.5 m ²
Loosefill At 150mm	-
Bark / Cushionfall / Sand	-
Grasslok Tiles	-
Installation Information	
Overall Weight	312 kg
Heaviest Part	28 kg
Largest Part	4.3 x 1.5 x 0.2m
Longest Part	4.3 m
Concrete Required	0.5 m ³