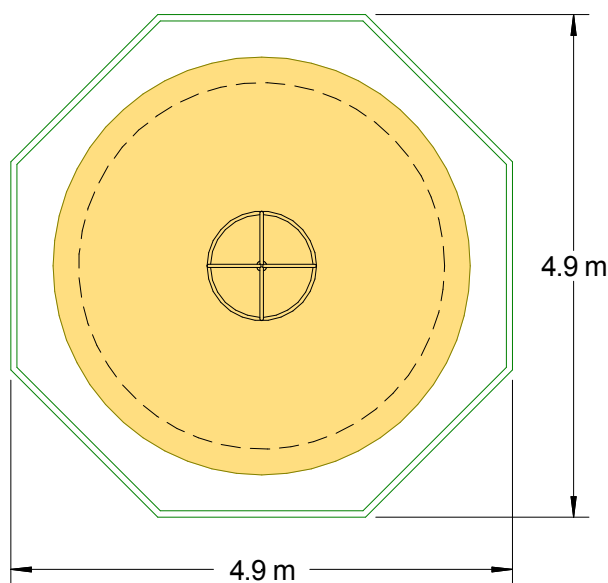
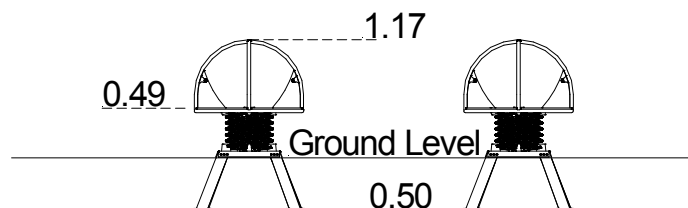


Movers – Stratosphere



Technical Information

Equipment Dimensions

Length / Width / Height **1.1m x 1.1m x 1.2m**

Surfacing and Area Required

Minimum Space Required L/W/H **4.9m x 4.9m x 2.4m**

Max Gradient of Ground **1 in 20**

Free Height of Fall **0.6m**

Impact Area **8.86m²**

Loosefill at 250mm **3m³**

Bark / Cushionfall / Sand

Grasslok Tiles **n/a**

Installation Information

Overall Weight **104kg**

Heaviest Part **54kg**

Largest Part **1.1m x 1.1m x 0.8m**

Longest Part **n/a**

Concrete Required **0.3m³**



KITEMARKED TO BS EN 1176