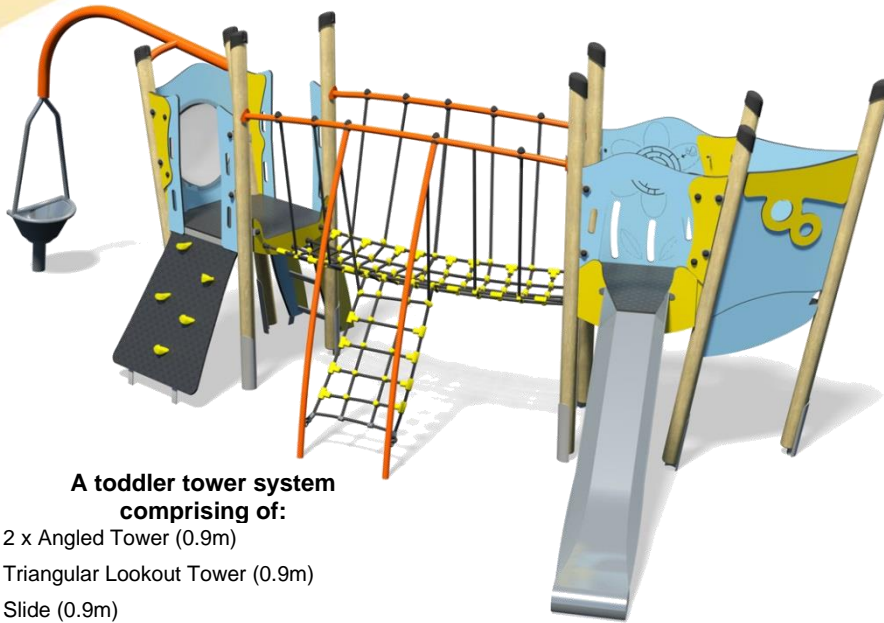


# Little Hamlets – Brook Plus



**A toddler tower system comprising of:**

- 2 x Angled Tower (0.9m)
- Triangular Lookout Tower (0.9m)
- Slide (0.9m)
- Ladder (0.9m)
- Ramp Climber (0.9m)
- Curved Net Traverse
- Spinning Bowl
- Bubble Play Panel
- Finger Maze Play Panel

-  Option A-  
Light Blue/Yellow  
(Shown)
-  Option B-  
Purple/Yellow
-  Option C-  
Green

<b>Code – LTH/BRK/*2</b>	
<b>Age</b>	
2-5 years	
<b>Materials</b>	
Laminated Timber	
Compact Grade Laminate (CGL)	
Galvanised or Painted Mild Steel	
Nylon Steel Cored Rope	
Stainless Steel Slide	
Stainless Steel	
Various Plastic Mouldings	

## Technical Information

### Equipment Dimensions

Length / Width / Height **6.0m x 2.8m x 2.2m**

### Surfacing and Area Required

Recommended Minimum Space  
L/W/H **9.9m x 6.6m x 3.4m**

Max Gradient of Ground **1 in 50**

Free Height of Fall **0.9m**

Impact Area **35.76m<sup>2</sup>**

Synthetic Area  
(i.e. EPDM / Wetpour / Synthetic Grass etc.) **31.60m<sup>2</sup>**

Loosefill at 250mm  
(i.e. Bark / Cushionfall / Sand) **12m<sup>3</sup>**

Grasslok Tiles **49m<sup>2</sup>**

### Installation Information

Steel Ground Fixed

Surface Fixed  
(if different)

Installation Time **2 Person(s) 11 Hour(s)**

Overall Weight **338kg**

Heaviest Part **24kg**

Largest Part **1.9m x 0.4m x 0.2m**

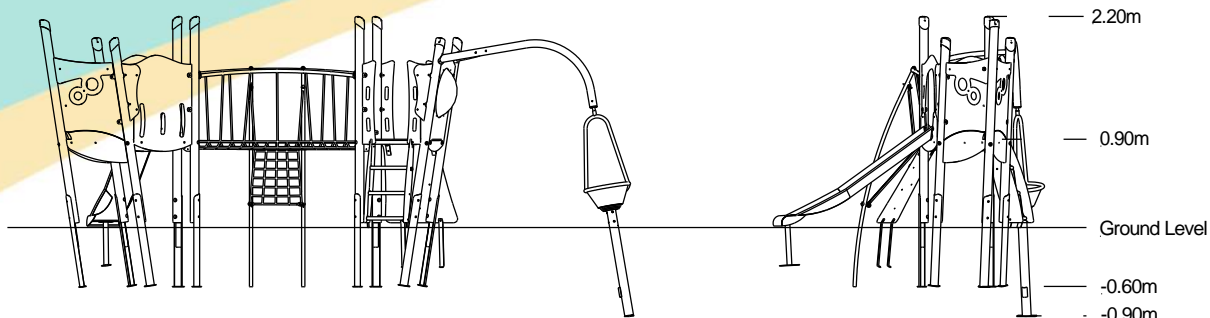
Longest Part **1.9m**

Concrete Required **0.9m<sup>3</sup>**

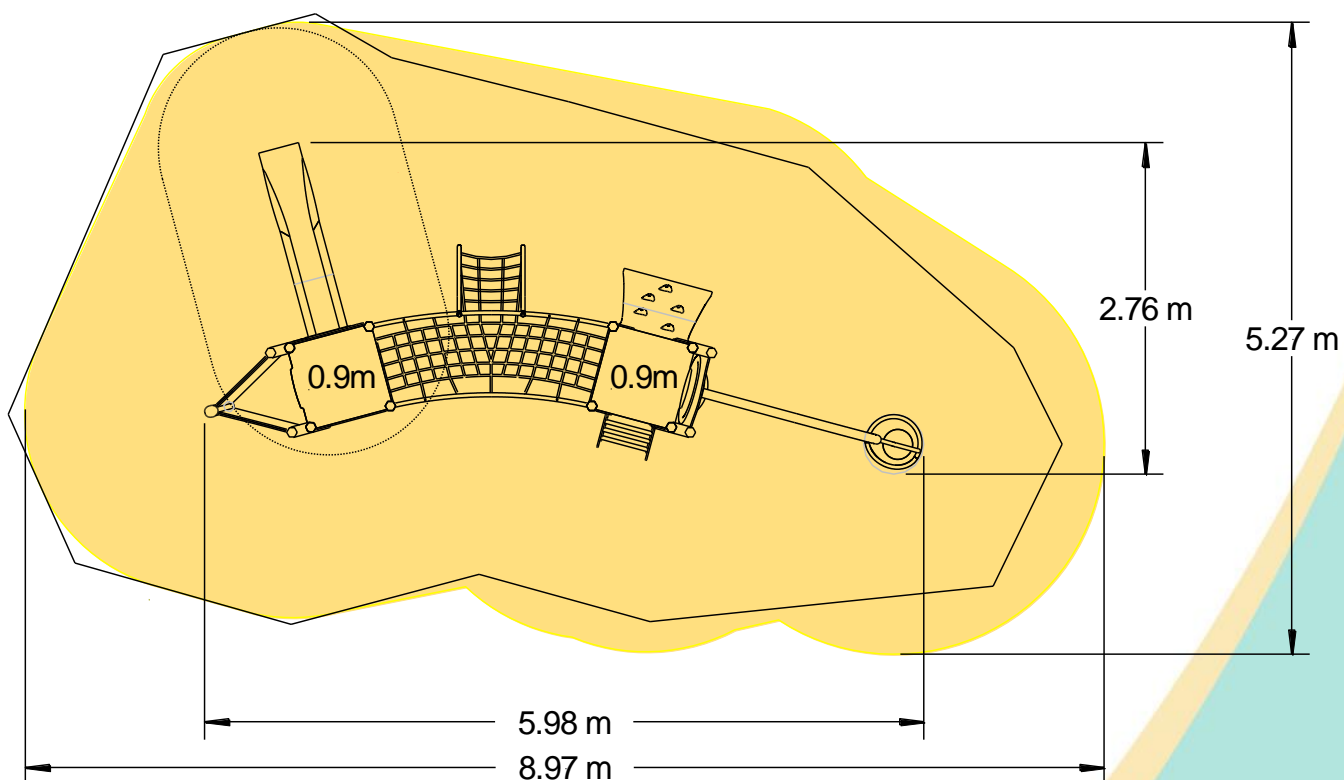
Certified to EN 1176

[Click here for more information & downloads](#)





-  Impact Area
-  Free Space
-  Synthetic Area



[Click here for more information & downloads](#)

