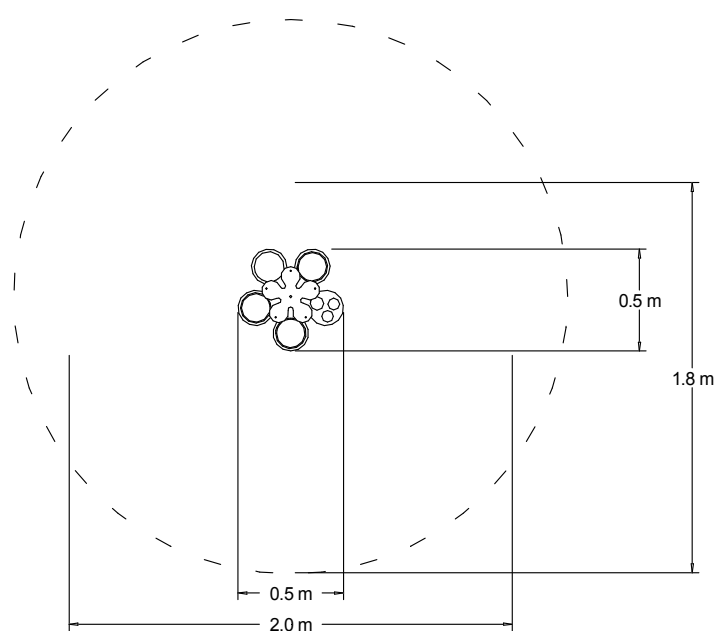
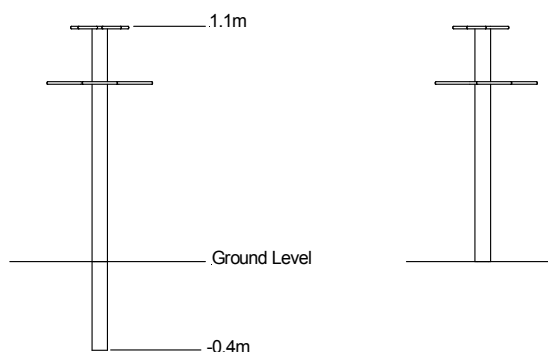


Free Standing Bird Table

- Loosefill Area
- Suggested Hardstanding
- Free Space
- Unit Spacing Boundary



Technical Information

Equipment Dimensions

Length / Width / Height **0.5m x 0.5m x 1.1m**

Surfacing and Area Required

Minimum Space Required L/W/H **2.0m x 1.8m x 2.4m**

Max Gradient Of Ground **1:30**

Free Height Of Fall **n/a**

Suggested Hardstanding **n/a**

Loosefill at 150mm **n/a**

Bark / Cushionfall / Sand **n/a**

Grasslok Tiles **n/a**

Installation Information

Overall Weight **9kg**

Heaviest Part **6kg**

Largest Part **1.4x0.7x0.7m**

Longest Part **1.4m**

Concrete Required **0.02m³**