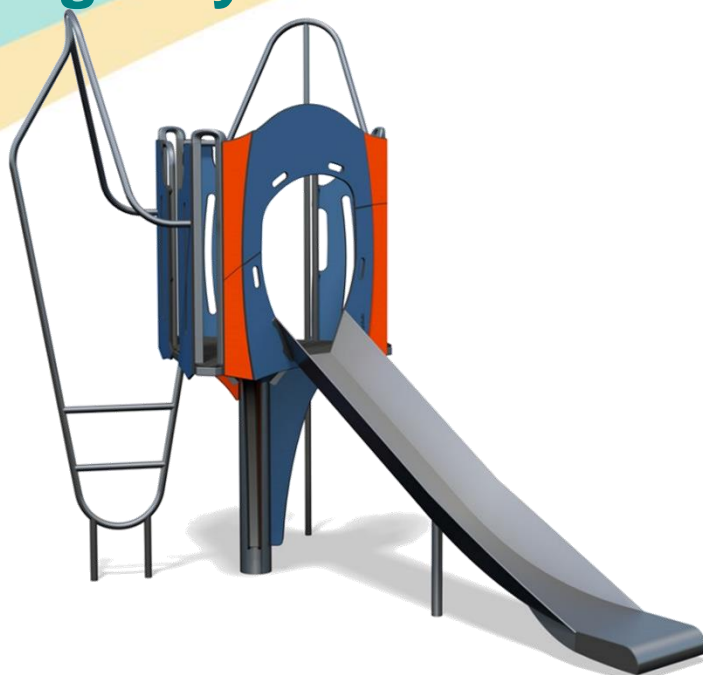


Big City Plus - Lillehammer Plus



-  **Option A**
Dark Blue & Orange
(shown)
-  **Option B**
Purple & Yellow
-  **Option C**
All Green

Code – BC/LIL *2
Age
5-12 years
Materials
Stainless Steel
Compact Grade Laminate (CGL)
Nylon Steel Cored Rope
Various Plastic Mouldings
LLDPE Slide

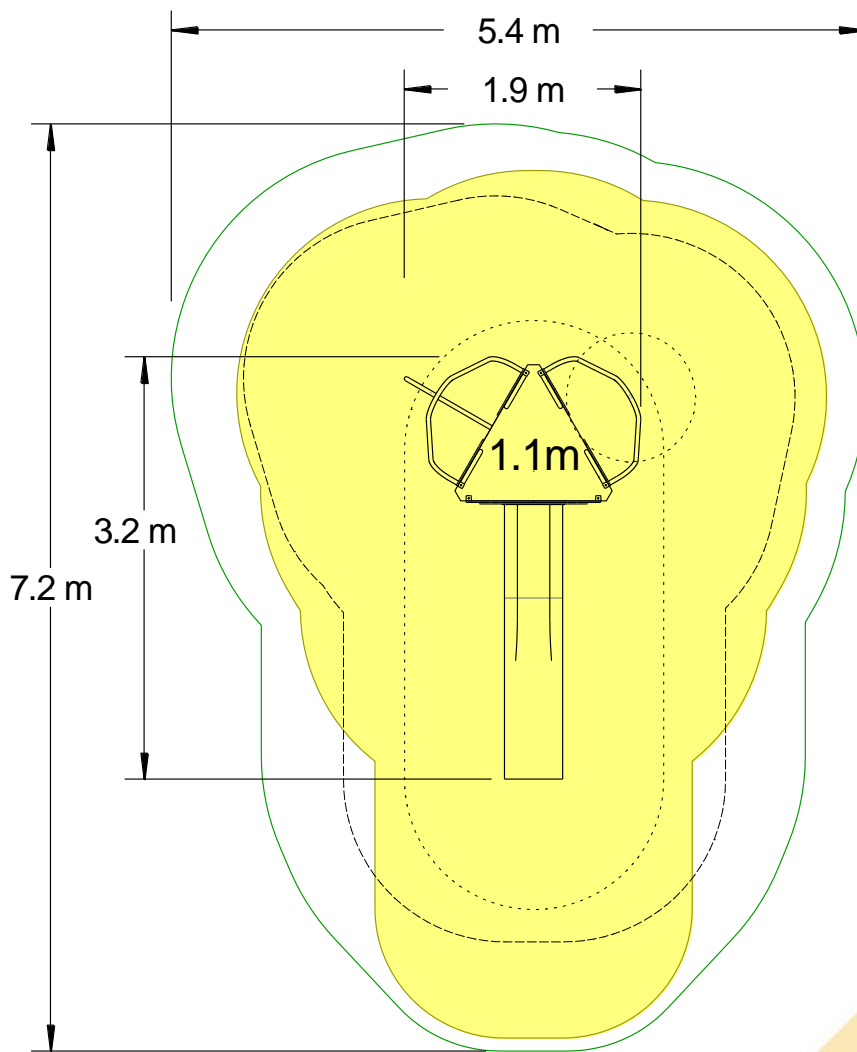
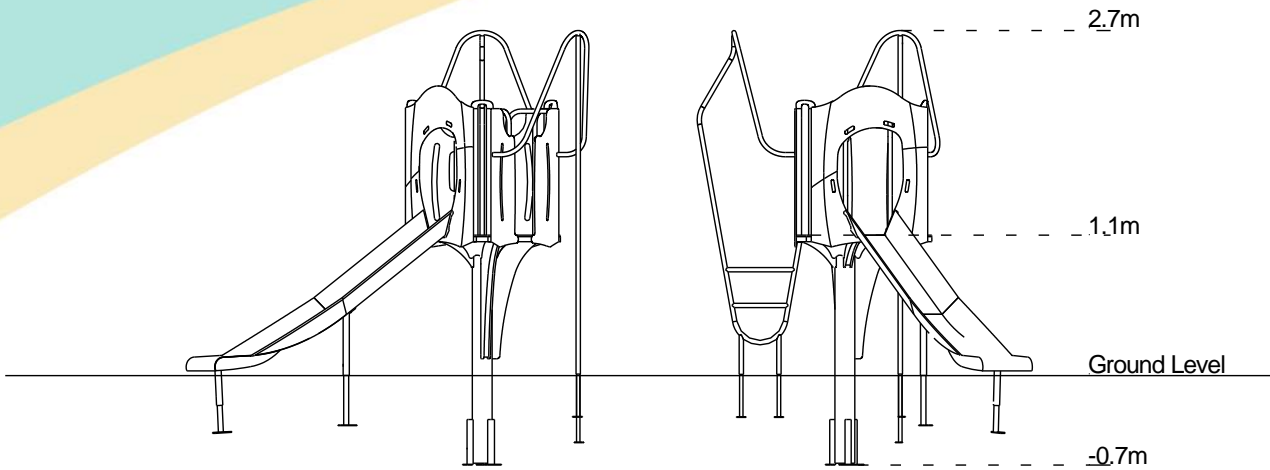
A junior modular tower system comprising of:

- Triangular Tower (1.1m)
- Slide (1.1m)
- Fireman's Pole (1.1m)
- Side Ladder (1.1m)

Technical Information		
Equipment Dimensions		
Length / Width / Height	3.3m x 1.9m x 2.7m	
Surfacing and Area Required		
Recommended Minimum Space L/W/H	7.2m x 5.4m x 3.9m	
Max Gradient of Ground	1 in 50	
Free Height of Fall	1.1m	
Impact Area	21.73m ²	
Synthetic Area (i.e. EPDM / Wet Pour / Synthetic Grass etc.)	22.59 m ²	
Loosefill at 250mm (i.e. Bark / Cushionfall / Sand)	8m ³	
GrassLok Tiles	34m ²	
Installation Information	SGF	SF (if different)
Installation Time	2 Persons 2 Hours	
Overall Weight	2174kg	
Heaviest Part	32kgkg	
Largest Part	2.5m x 0.4m x 0.4m	
Longest Part	2.5m	
Concrete Required	0.43m ³	0.52m ³
Certified to ASTM F1487		

[Click here for more information & downloads](#)





-  Recommended Minimum Space
-  Impact Area
-  Free Space
-  Unit Spacing Boundary

[Click here for more information & downloads](#)

