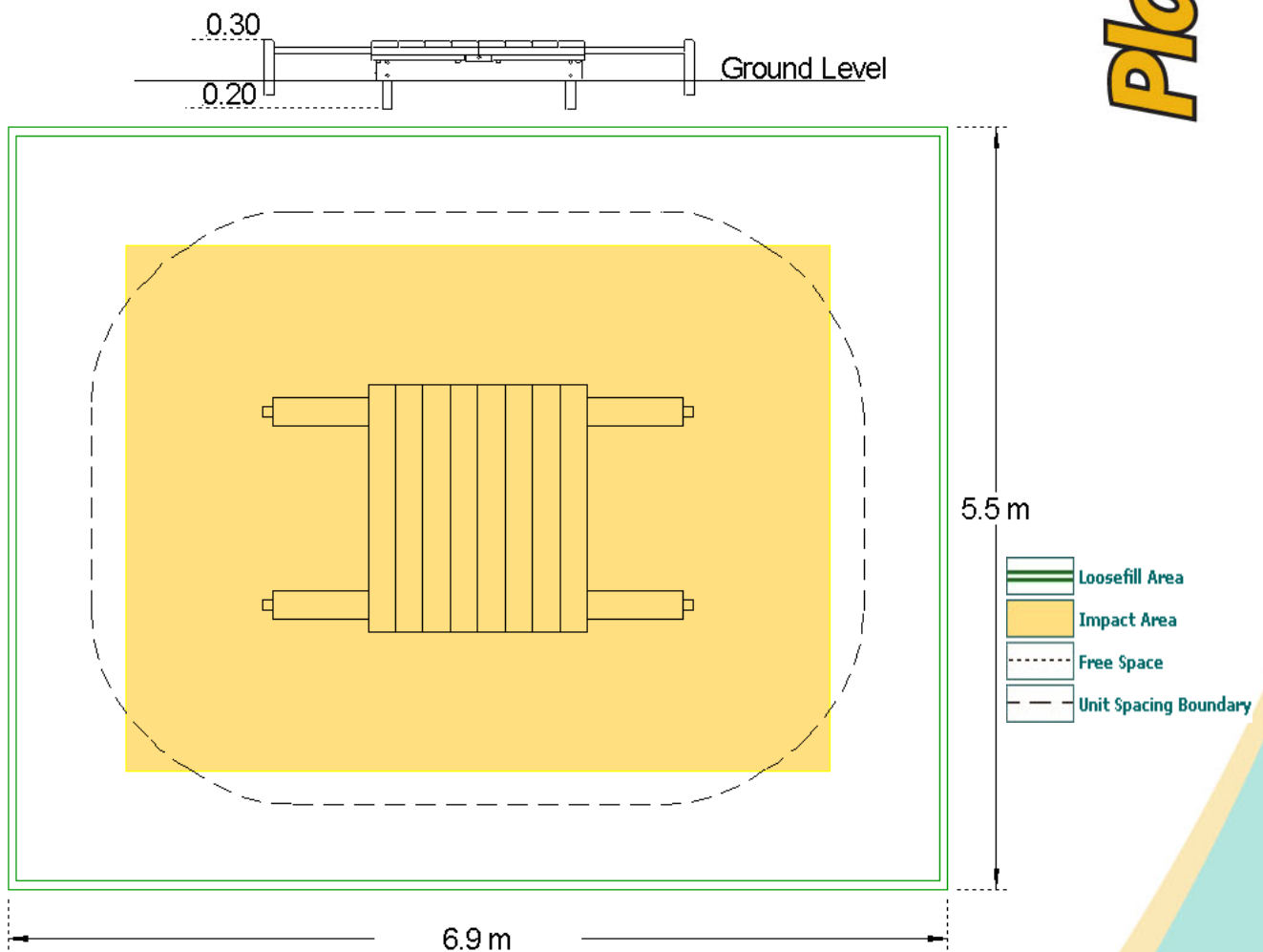


Best Mates – Sandbox



Technical Information

Equipment Dimensions

Length / Width / Height **3.0m x 1.8m x 0.3m**

Surfacing and Area Required

Minimum Space Required L/W/H **6.9m x 5.5m x 2.8m**

Max Gradient of Ground **1 in 30**

Free Height of Fall **0.3m**

Impact Area **16.65m²**

Loosefill at 250mm **4m³**

Bark / Cushionfall / Sand

Grasslok Tiles **n/a**

Installation Information

Overall Weight **198kg**

Heaviest Part **198kg**

Largest Part **3.0m x 1.8m x 0.6m**

Longest Part **3.0m**

Concrete Required **0.2m³**



KITEMARKED TO BS EN 1176