

Big City Plus - Athens Plus



A junior modular tower system comprising of:

- Square Tower (1.9m)
- Square Tower 1.5m
- Slide (1.9m)
- Side Climber (1.9m)
- Fireman's Pole (1.5m)
- Twisted Climbing Net (1.5m)
- Side Ladder (1.5m)
- Inclined Net Bridge
- Spin Ball Above Play Panel
- Side Ladder (1.9m)

Code – BC/ATH*2

Age

5-12 years

Materials

Stainless Steel

Nylon Steel Cored Rope

Compact Grade Laminate
(CGL)

Various Plastic Mouldings

LLDPE Slide

Technical Information

Equipment Dimensions

Length / Width / Height **6.4m x 4.9m x 3.5m**

Surfacing and Area Required

Recommended Minimum Space
L/W/H **9.8m x 8.8m x 4.7m**

Max Gradient of Ground **1 in 50**

Free Height of Fall **1.9m**

Impact Area **45.80m²**

Synthetic Area
(i.e. EPDM / Wet Pour / Synthetic Grass etc.) **46.80m²**

Loosefill at 250mm
(i.e. Bark / Cushionfall / Sand) **14m³**

GrassLok Tiles **63m²**

Installation Information

SGF

SF (if different)

Installation Time **2 Persons 16 Hours**

Overall Weight **571kg**

Heaviest Part **44kg**

Largest Part **3.7m x 0.4m x 0.4m**

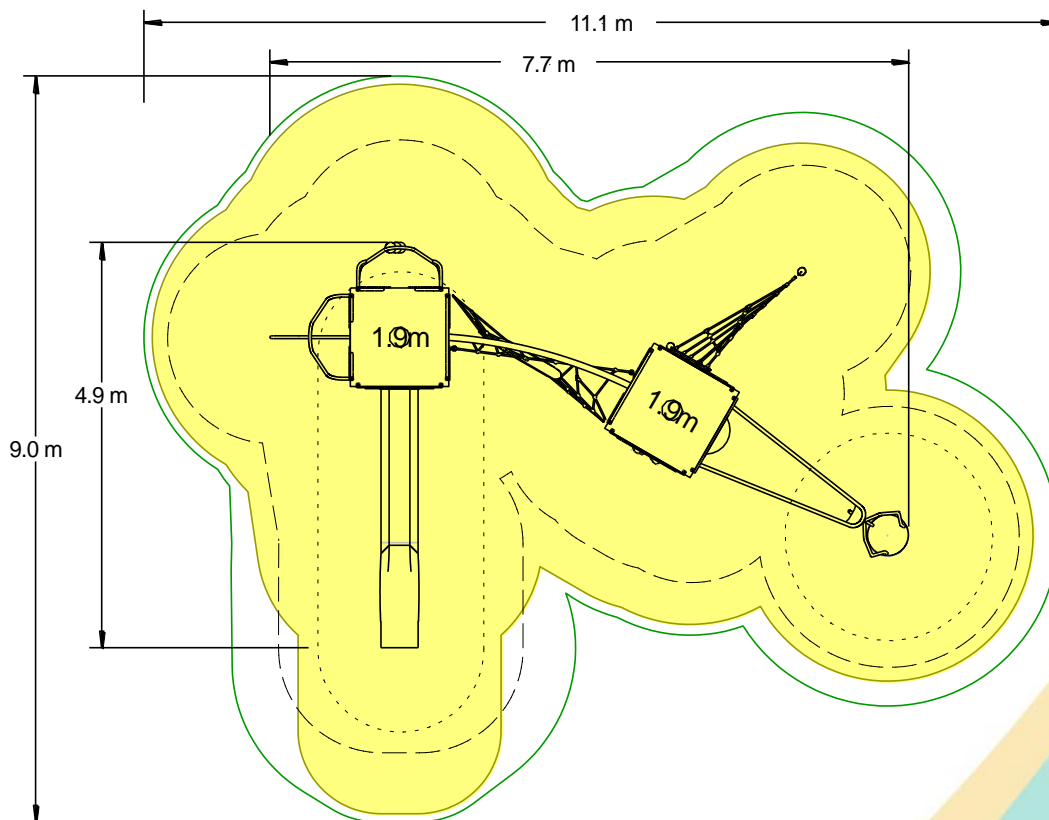
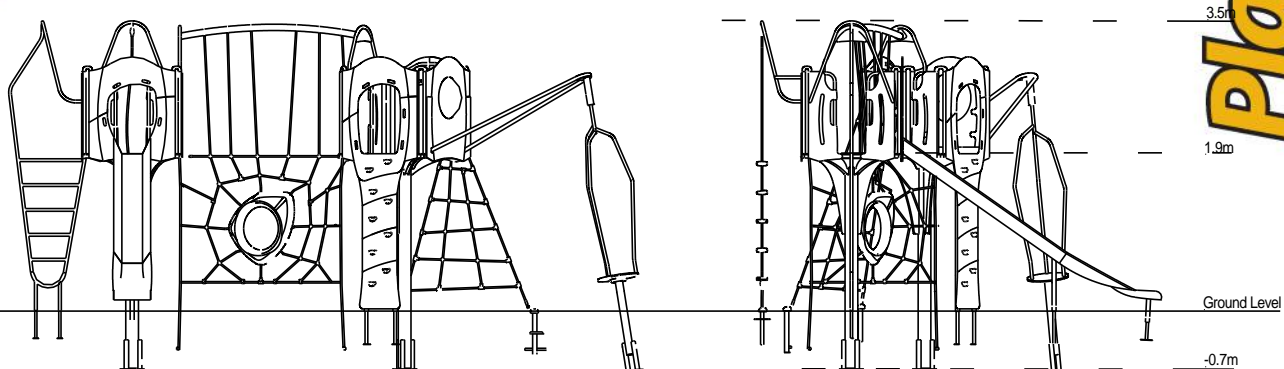
Longest Part **3.7m**

Concrete Required **0.77m³** **1.12m³**

Certified to ASTM F1487

[Click here for more information & downloads](#)





-  Recommended Minimum Space
-  Impact Area
-  Free Space
-  Unit Spacing Boundary

[Click here for more information & downloads](#)

