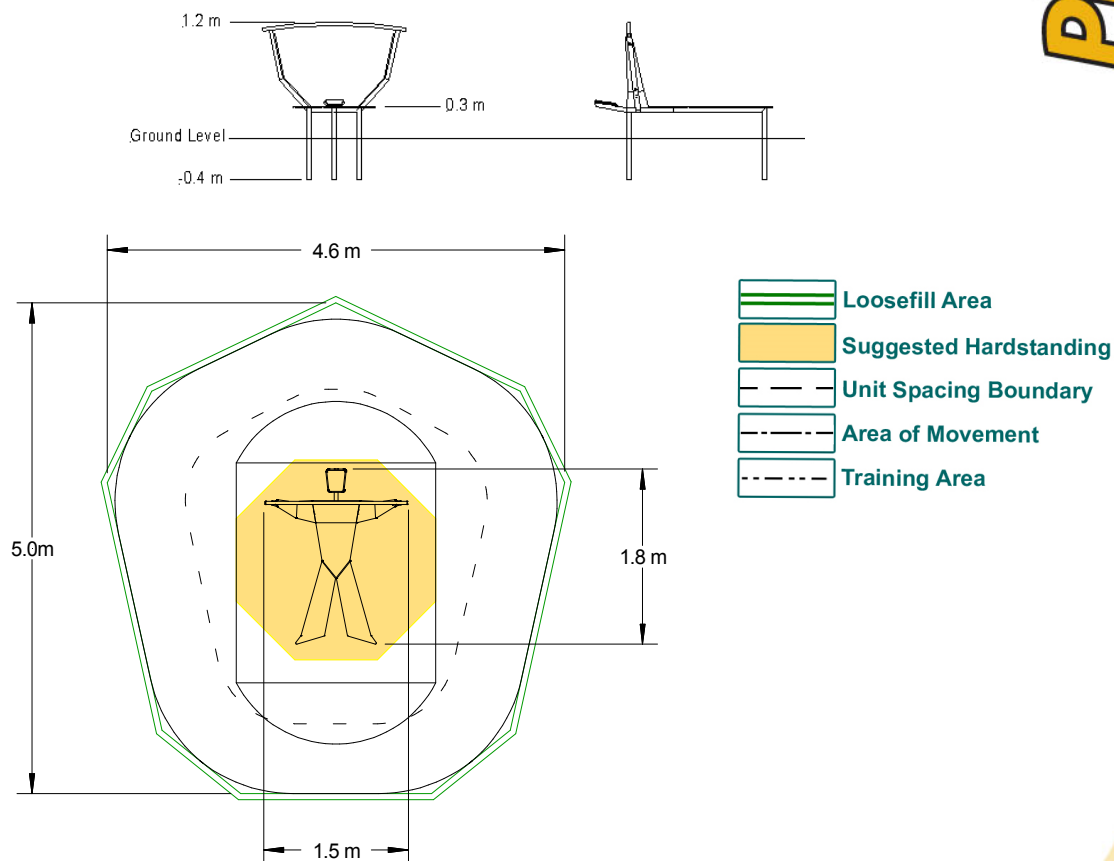


Training Buddies

– Horizontal Pull-Ups



Technical Information

Equipment Dimensions

Length / Width / Height **1.8m x 1.5m x 1.2m**

Surfacing and Area Required

Minimum Space Required L/W/H **5.0m x 4.6m x 3.7m**

Max. Gradient Of Ground **1in30**

Free Height Of Fall **n/a**

Suggested Hardstanding **3.31m²**

Loosefill at 150mm **3m³**

Bark / Cushionfall / Sand **9m²**

Grasslok **9m²**

Installation Information

Overall Weight **42kg**

Heaviest Part **42kg**

Largest Part **1.8m x 1.5m x 1.6m**

Concrete Required **0.11m³**

Suitable for users aged + 14yrs old, measuring at least 1.40m in height.