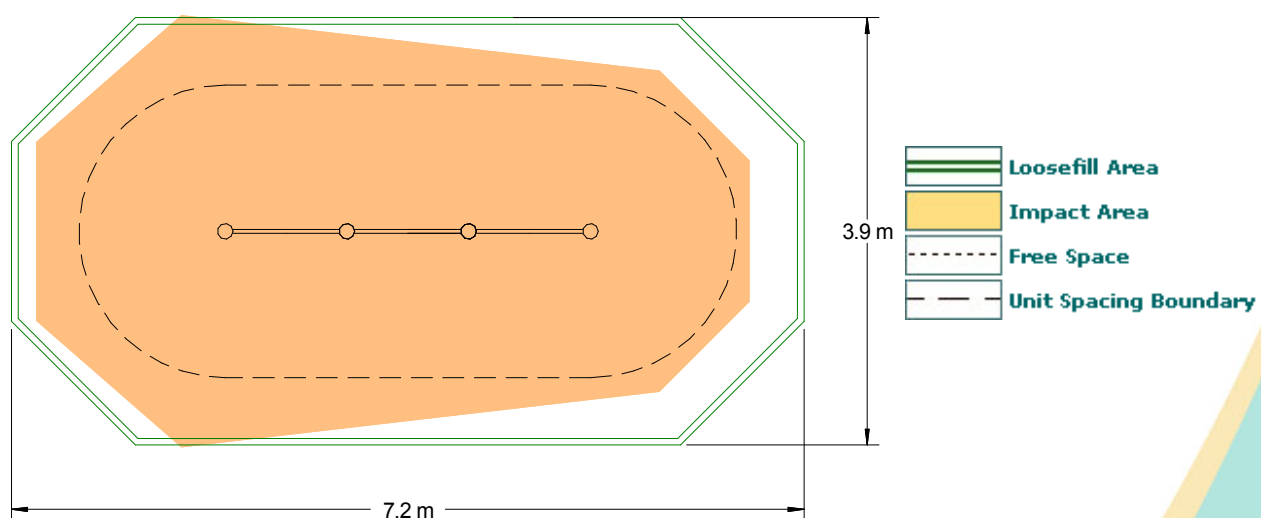
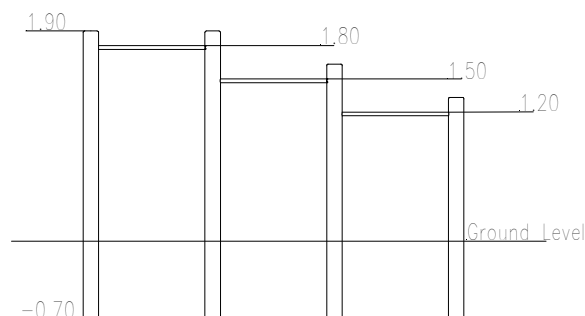


Climbers – Swing Bars (CI)



Technical Information

Equipment Dimensions

Length / Width / Height **3.4m x 0.14m x 1.9m**

Surfacing and Area Required

Minimum Space Required L/W/H **7.0m x 3.7m x 3.1m**

Max Gradient of Ground **1 in 30**

Free Height of Fall **1.85m**

Impact Area **19.93m²**

Loosefill (Bark / Cushionfall / Sand) at 250mm **6m³**

Grasslok Tiles **29m²**

Installation Information

Overall Weight **122kg**

Heaviest Part **32kg**

Largest Part **2.6m x 0.14m Ø**

Longest Part **2.6m x 0.14m Ø**

Concrete Required **0.22m³**



KITEMARKED TO BS EN 1176