

# Big City Plus - Atlanta Plus



## A junior modular tower system comprising of:

- 2 x Square Towers (1.9m)
- Slide (1.9m)
- Side Ladder (1.9m)
- Rope Climb (1.9m)
- Twisted Climbing Net (1.9m)
- Climbing Wall (1.9m)
- Spider's Web
- Spinner

## Code – BC/ATL\*2

<b>Age</b>
5-12 years
<b>Materials</b>
Stainless Steel
Nylon Steel Cored Rope
Compact Grade Laminate (CGL)
Various Plastic Mouldings
LLDPE Slide

## Technical Information

### Equipment Dimensions

Length / Width / Height **7.7m x 4.9m x 3.5m**

### Surfacing and Area Required

Recommended Minimum Space L/W/H **11.1m x 9.0m x 4.7m**

Max Gradient of Ground **1 in 50**

Free Height of Fall **1.9m**

Impact Area **58.0m<sup>2</sup>**

Synthetic Area  
(i.e. EPDM / Wet Pour / Synthetic Grass etc.) **61.16m<sup>2</sup>**

Loosefill at 250mm  
(i.e. Bark / Cushionfall / Sand) **19m<sup>3</sup>**

GrassLok Tiles **79m<sup>2</sup>**

### Installation Information

SGF

SF (if different)

Installation Time **2 Persons 14 Hours**

Overall Weight **661kg**

Heaviest Part **44kg**

Largest Part **3.7m x 0.4m x 0.4m**

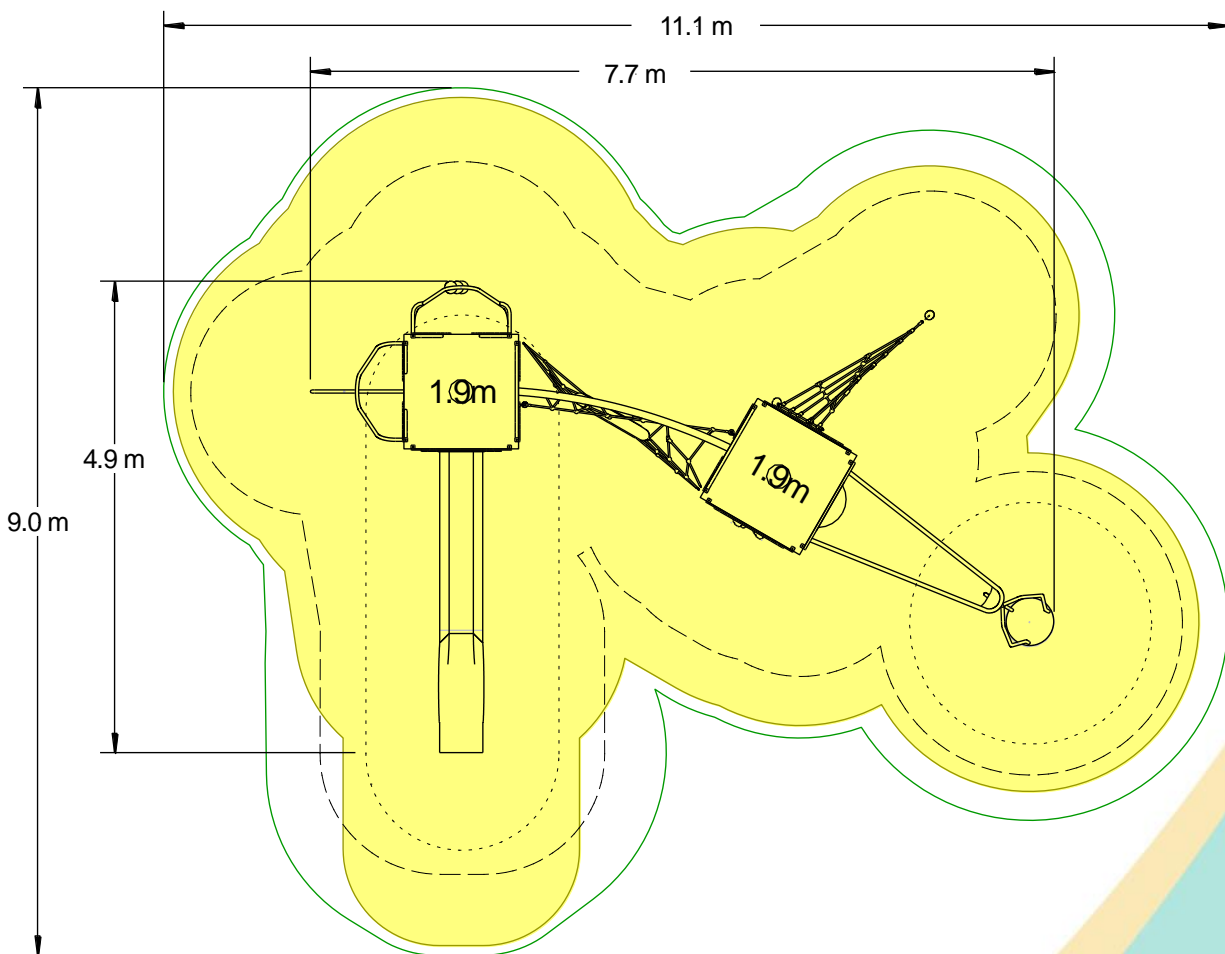
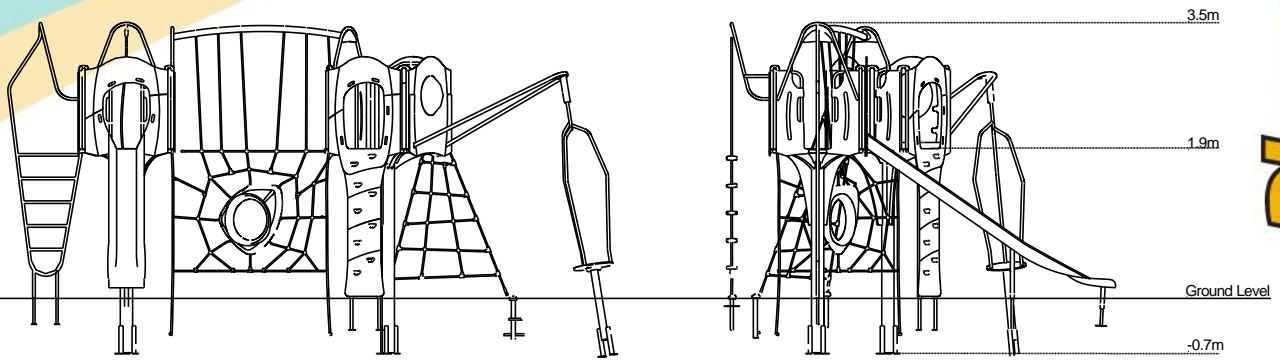
Longest Part **3.7m**

Concrete Required **1.07m<sup>3</sup>** **1.49m<sup>3</sup>**

Certified to ASTM F1487

[Click here for more information & downloads](#)





-  Recommended Minimum Space
-  Impact Area
-  Free Space
-  Unit Spacing Boundary

[Click here for more information & downloads](#)

