

Big City Plus - Atlanta Plus



A junior modular tower system comprising of:

- 2 x Square Towers (1.9m)
- Slide (1.9m)
- Side Ladder (1.9m)
- Rope Climb (1.9m)
- Twisted Climbing Net (1.9m)
- Climbing Wall (1.9m)
- Spider's Web
- Spinner

Code – *BC/ATL*1*

Age
5-12 years
Materials
Stainless Steel
Nylon Steel Cored Rope
Compact Grade Laminate (CGL)
Various Plastic Mouldings
LLDPE Slide

Technical Information

Equipment Dimensions

Length / Width / Height **7.7m x 4.8m x 3.5m**

Surfacing and Area Required

Recommended Minimum Space L/W/H **11.1m x 8.8m x 4.7m**

Max Gradient of Ground **1 in 50**

Free Height of Fall **1.9m**

Impact Area **58.23m²**

Synthetic Area (i.e. EPDM / Wet Pour / Synthetic Grass etc.) **61.86m²**

Loosefill at 250mm (i.e. Bark / Cushionfall / Sand) **18m³**

GrassLok Tiles **78m²**

Installation Information

SGF

SF (if different)

Installation Time **2 Persons 14 Hours**

Overall Weight **668kg**

Heaviest Part **33kg**

Largest Part **2.4m x 0.9m x 0.6m**

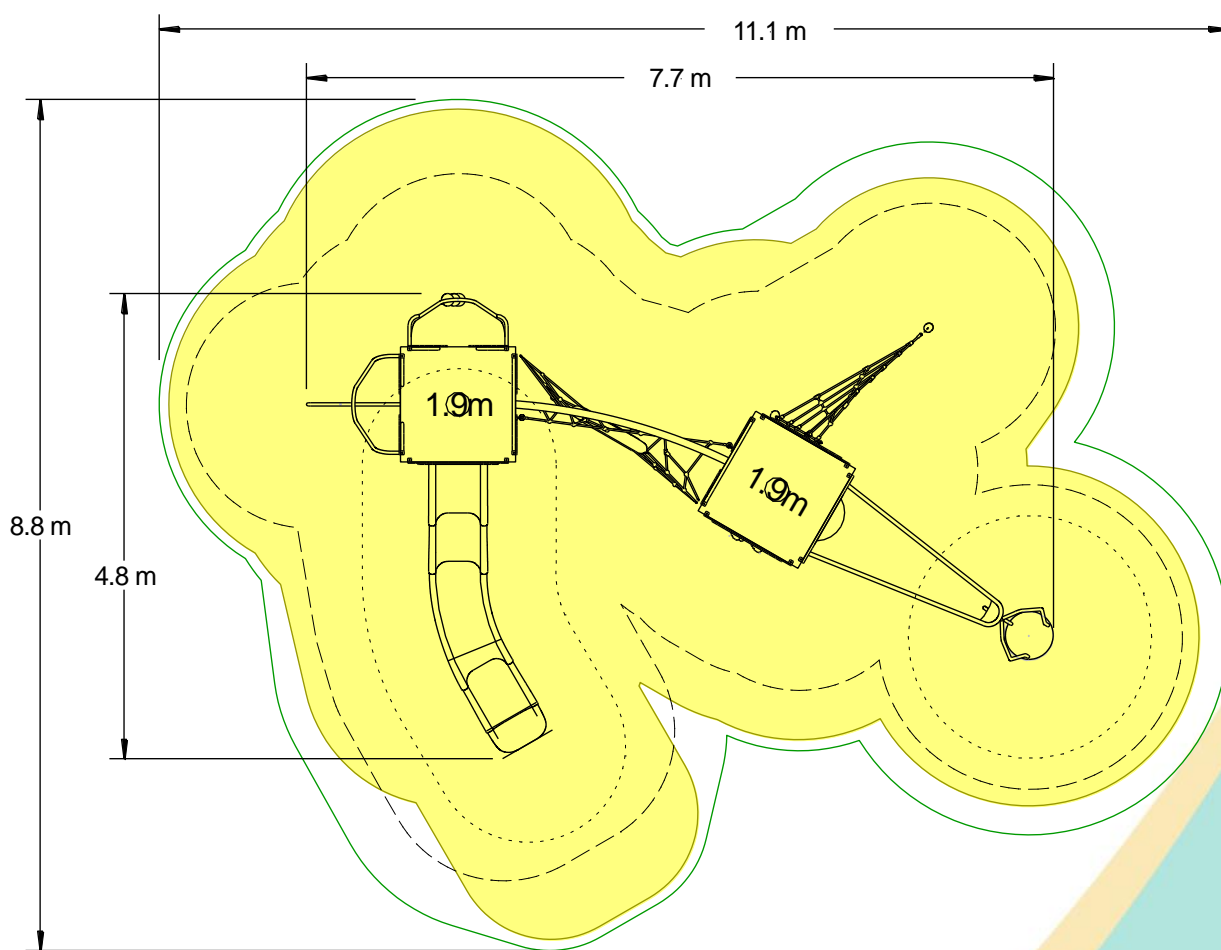
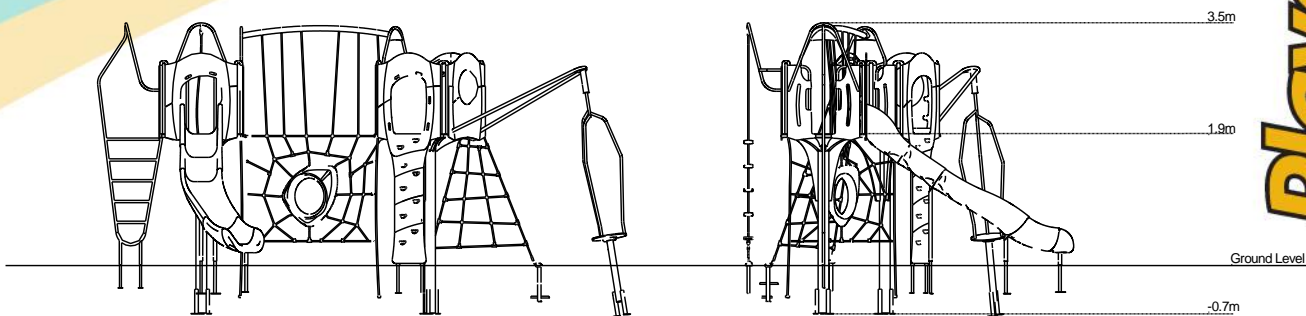
Longest Part **2.4m**

Concrete Required **1.07m³** **1.49m³**

Certified to ASTM F1487

[Click here for more information & downloads](#)





-  Recommended Minimum Space
-  Impact Area
-  Free Space
-  Unit Spacing Boundary

[Click here for more information & downloads](#)

