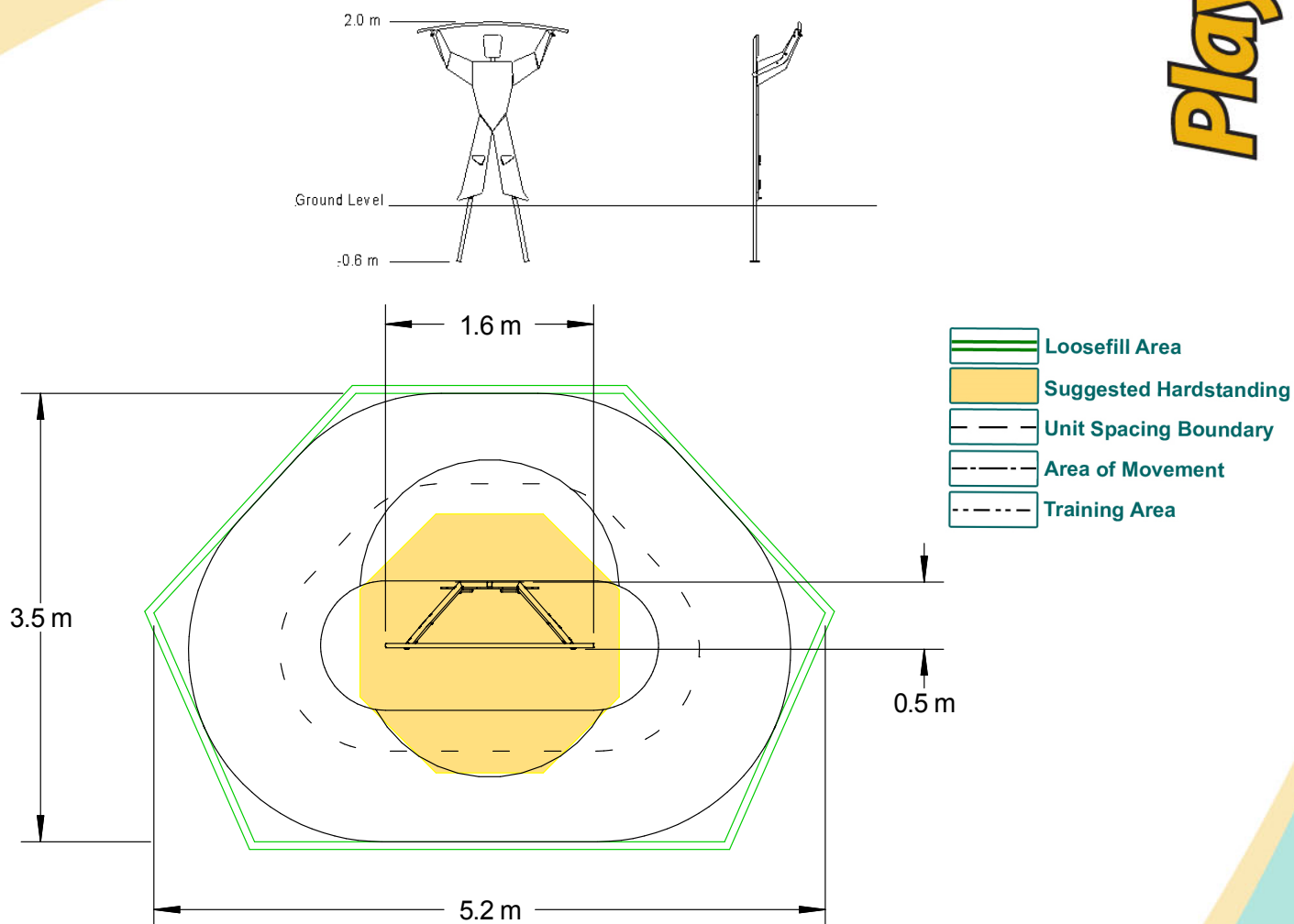


Training Buddies – Pull Up



Technical Information

Equipment Dimensions

Length / Width / Height **1.6m x 0.5m x 2.0m**

Surfacing and Area Required

Minimum Space Required L/W/H **5.2m x 3.5m x 4.5m**

Max. Gradient Of Ground **1in30**

Free Height Of Fall **n/a**

Suggested Hardstanding **3.31m²**

Loosefill at 150mm **3m³**

Bark / Cushionfall / Sand **9m²**

Grasslok **9m²**

Installation Information

Overall Weight **42kg**

Heaviest Part **42kg**

Largest Part **1.6m x 0.5m x 2.6m**

Concrete Required **0.16m³**

Suitable for users aged + 14yrs old, measuring at least 1.40m in height.