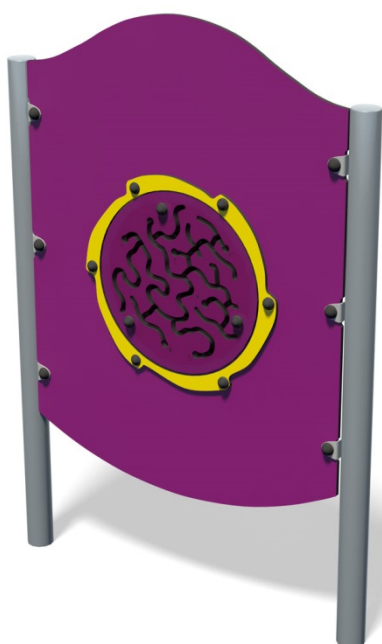


# Freestanding Play Panel (Steel)



## Code - PLP(XX)S

### Age

18 months+

### Materials

Stainless Steel

Compact Grade

Laminate (CGL)

### Product Description

#### Activities available:

Ball Maze - PLP(BM)T

Bubble - PLP(B)T

Chalkboard - PLP(CB)T

Concave Mirror - PLP(CM)T

Counter Panel - PLP(CO)T

Musical - PLP(MU)T

Noughts and Crosses - PLP(XO)T

Pinball - PLP(PB)T

Wavy Mirror - PLP(WM)T

These panels provide an engaging activity that aids social interaction, competition and cooperation plus many more benefits unique to each activity.

## Technical Information

### Equipment Dimensions

Length / Width / Height **1.2m x 0.12m x 1.6m**

### Surfacing and Area Required

Recommended Minimum Space  
L/W/H **3.7m x 2.6m x 2.5m**

Max Gradient of Ground **1 in 20**

Free Height of Fall **N/A**

Impact Area **N/A**

Synthetic Area  
(i.e. EPDM / Wetpour / Synthetic Grass etc.) **N/A**

Loosefill at 150mm  
(i.e. Bark / Cushionfall / Sand) **N/A**

Grasslok Tiles **N/A**

### Installation Information

Installation Time **2 Person(s) 3 Hour(s)** **2 Person(s) 3 Hour(s)**

Overall Weight **26kg** **25kg**

Heaviest Part **16kg** **16kg**

Largest Part **1.6m x 1.0m x 0.012m** **1.6m x 1.0m x 0.012m**

Longest Part **2.21m** **1.45m**

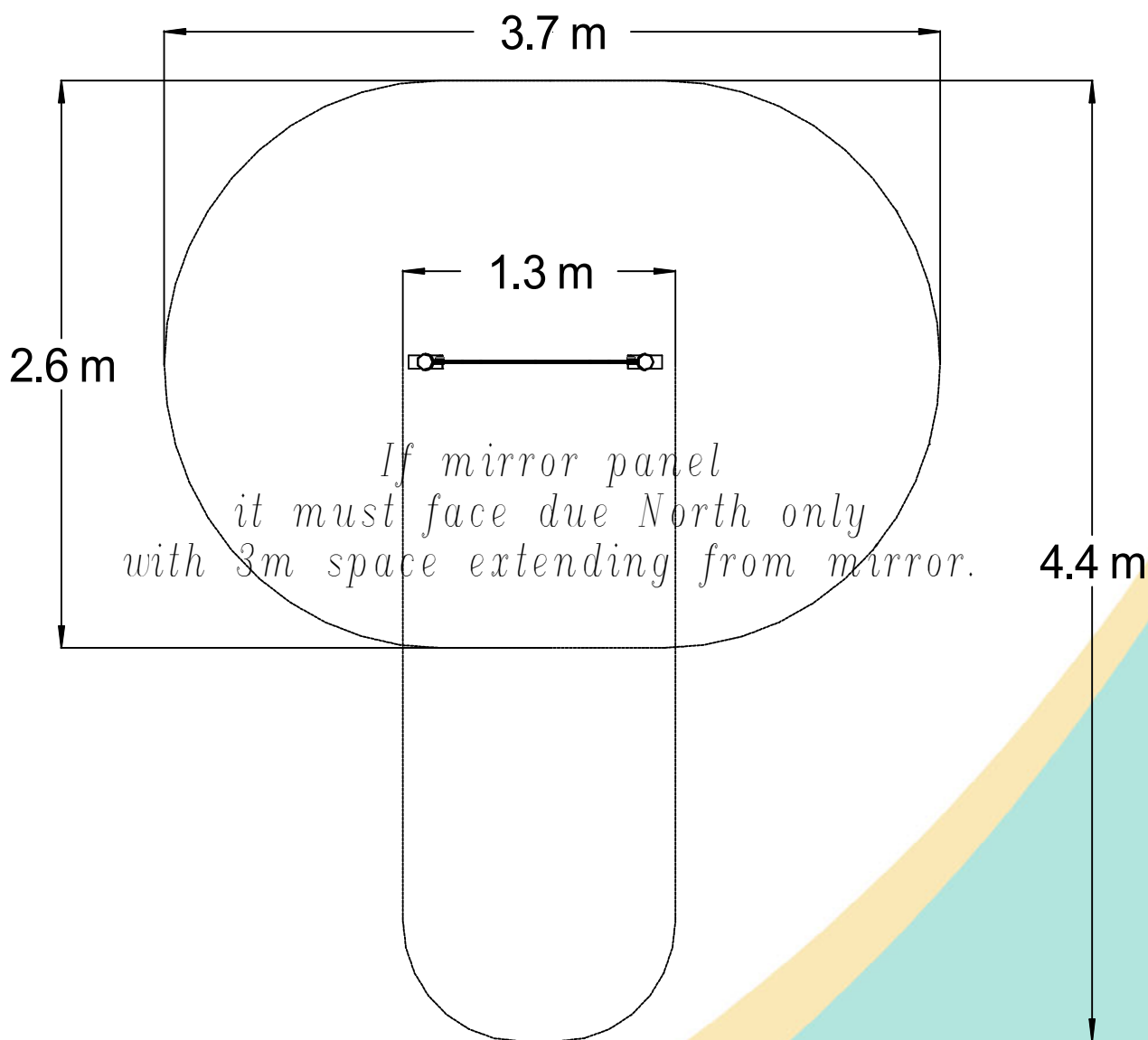
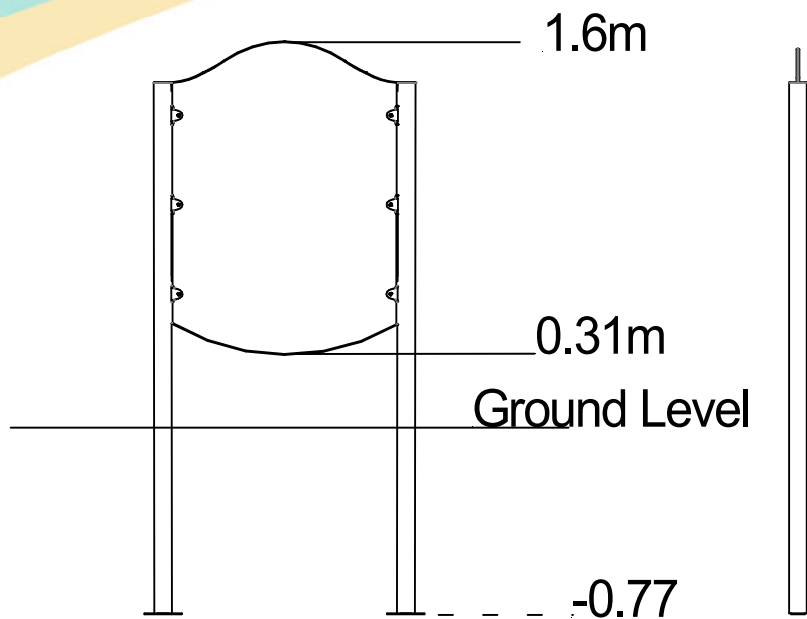
Concrete Required **0.3m<sup>3</sup>** **0.01m<sup>3</sup>**

Certified to EN 1176

[Click here for more information & downloads](#)



-  Impact Area
-  Free Space
-  Synthetic Area



[Click here for more information & downloads](#)

