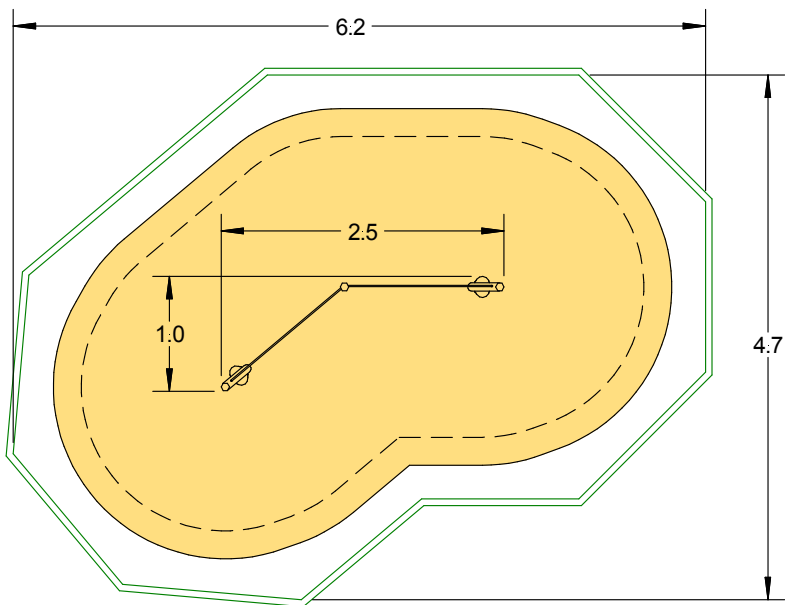
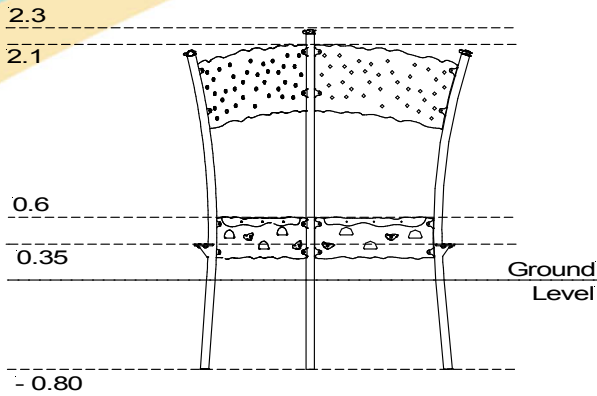


# City Adventure Trail – Andes Ledge



Technical Information	
<b>Equipment Dimensions</b>	
Length / Width / Height	2.5m x 1.0m x 2.3m
<b>Surfacing and Area Required</b>	
Minimum Space Required L/W/H	6.2m x 4.7m x 3.5m
Max Gradient of Ground	1:50
Free Height of Fall	600mm
Impact Area	16.30m <sup>2</sup>
Loosefill at 150mm	4m <sup>3</sup>
Bark / Cushionfall / Sand	n/a
Grasslok Tiles	n/a
<b>Installation Information</b>	
Overall Weight	90kg
Heaviest Part	17kg
Largest Part	3.0m
Longest Part	3.0m
Concrete Required	0.189m <sup>3</sup>
KITEMARKED TO BS EN 1176	