


Jukebox – Jitterbug Plus



-  Option A-
Dark Blue/Yellow
(Shown)
-  Option B-
Purple/Lime Green
-  Option C-
Green

A junior tower system comprising of:

- Square Tower (1.1m)
- Square Tower (1.5m)
- Triangular Tower (1.1m)
- Slide (1.5m)
- Fireman's Pole (1.1m)
- Rope Ramp (1.1m)
- Twisted Scramble Net (1.5m)
- Inclined Tunnel
- Bridge
- Hangabout Seat
- Lookout Tower
- Ball Blast Play Panel
- Puzzle Ball Play Panel

Code – JB/JIT/*1

Age
5-12 years
Materials
Laminated Timber
Compact Grade Laminate (CGL)
Galvanised or Painted Mild Steel
Nylon Steel Cored Rope
LLDPE Slide
Stainless Steel
Sawn Timber
Various Plastic Mouldings

Technical Information

Equipment Dimensions

Length / Width / Height **5.6m x 5.3m x 3.4m**

Surfacing and Area Required

Recommended Minimum Space
L/W/H **9.1m x 9.1m x 4.6m**

Max Gradient of Ground **1 in 50**

Free Height of Fall **1.5m**

Impact Area **51.34m²**

Synthetic Area
(i.e. EPDM / Wetpour / Synthetic Grass etc.) **51.54m²**

Loosefill at 250mm
(i.e. Bark / Cushionfall / Sand) **16m³**

Grasslok Tiles **66m²**

Installation Information

Steel Ground Fixed

Surface Fixed
(if different)

Installation Time **2 Person(s) 17 Hour(s)**

Overall Weight **949kg**

Heaviest Part **39.6kg**

Largest Part **3.4m x 1.0m x 1.7m**

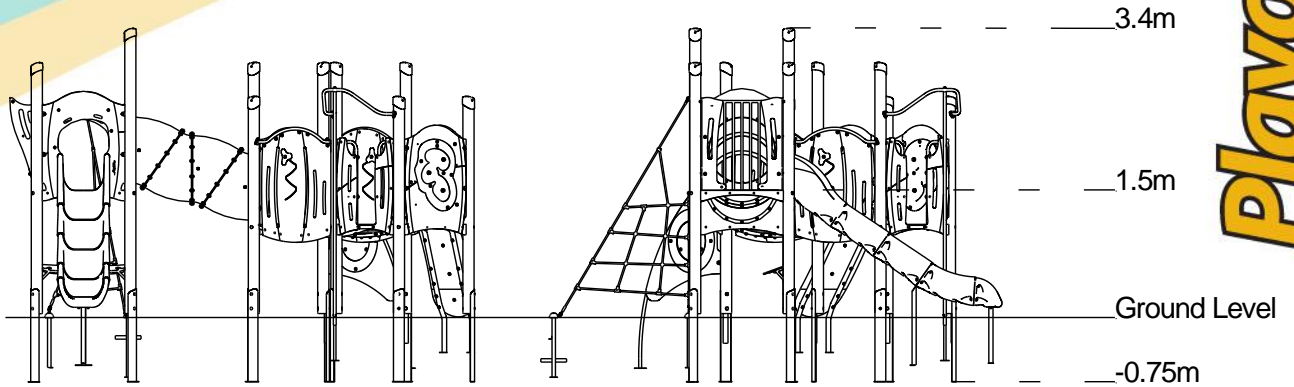
Longest Part **3.4m**

Concrete Required **1.1m³**

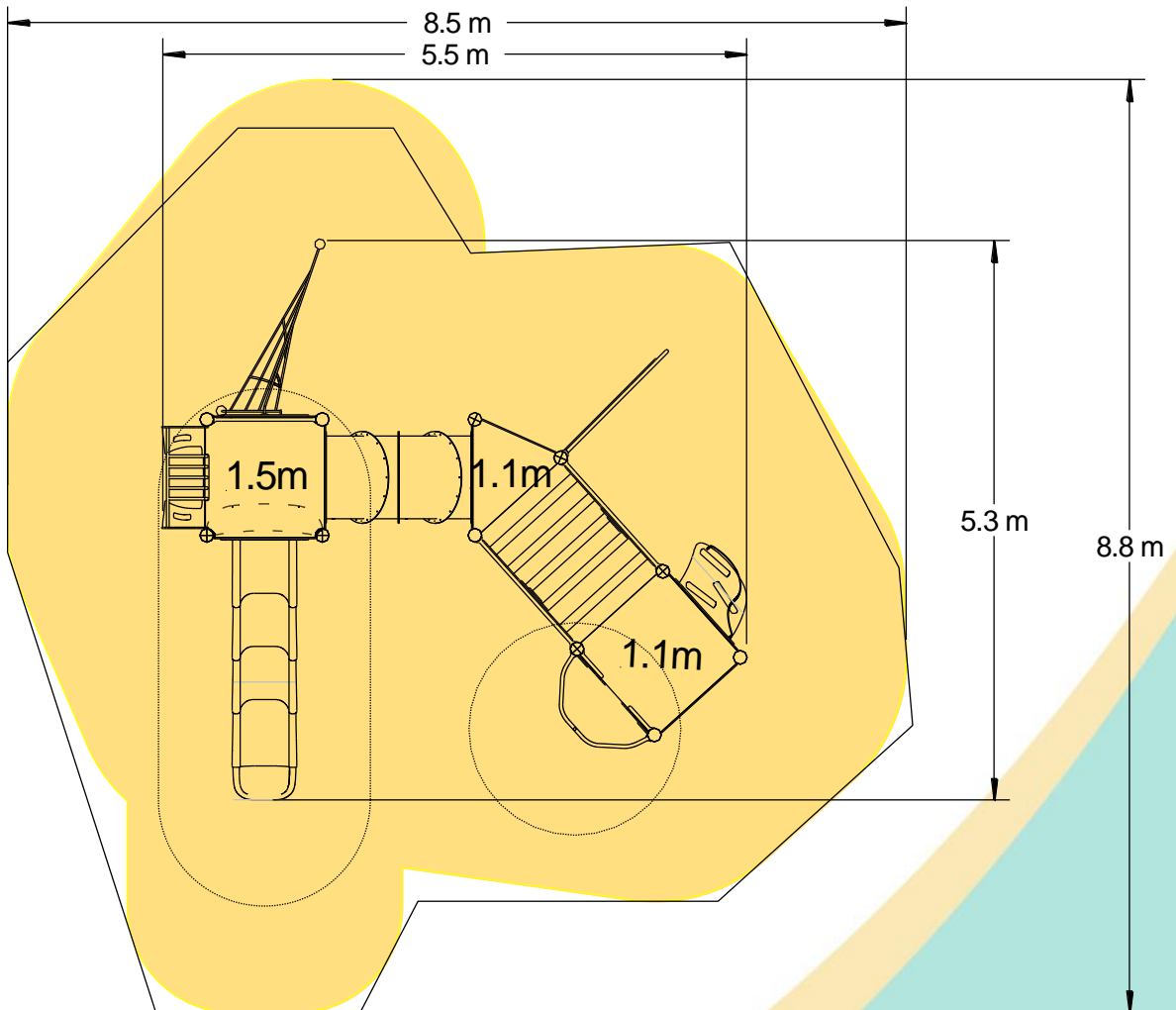
Certified to EN 1176

[Click here for more information & downloads](#)





- Impact Area
- Free Space
- Synthetic Area



[Click here for more information & downloads](#)