



Jukebox – Reggae Plus



-  Option A-
Dark Blue/Yellow
(Shown)
-  Option B-
Purple/Lime Green
-  Option C-
Green

Code – JB/REG/*2	
Age	5-12 years
Materials	Laminated Timber Compact Grade Laminate (CGL) Galvanised or Painted Mild Steel Nylon Steel Cored Rope Stainless Steel Slide Sawn Timber Various Plastic Mouldings

A junior tower system comprising of:

- Square Tower (1.5m)
- Triangular Tower (1.5m)
- Slide (1.5m)
- Inverted Climber (1.5m)
- Rope Ramp (1.5m)
- Arched Tunnel
- Bridge
- Lookout Tower
- Pod Seating

Technical Information

Equipment Dimensions

Length / Width / Height **4.3m x 3.9m x 3.4m**

Surfacing and Area Required

Recommended Minimum Space
L/W/H **8.1m x 7.5m x 4.6m**

Max Gradient of Ground **1 in 50**

Free Height of Fall **1.5m**

Impact Area **35.4m²**

Synthetic Area
(i.e. EPDM / Wetpour / Synthetic Grass etc.) **35.93m²**

Loosefill at 250mm
(i.e. Bark / Cushionfall / Sand) **12m³**

Grasslok Tiles **49m²**

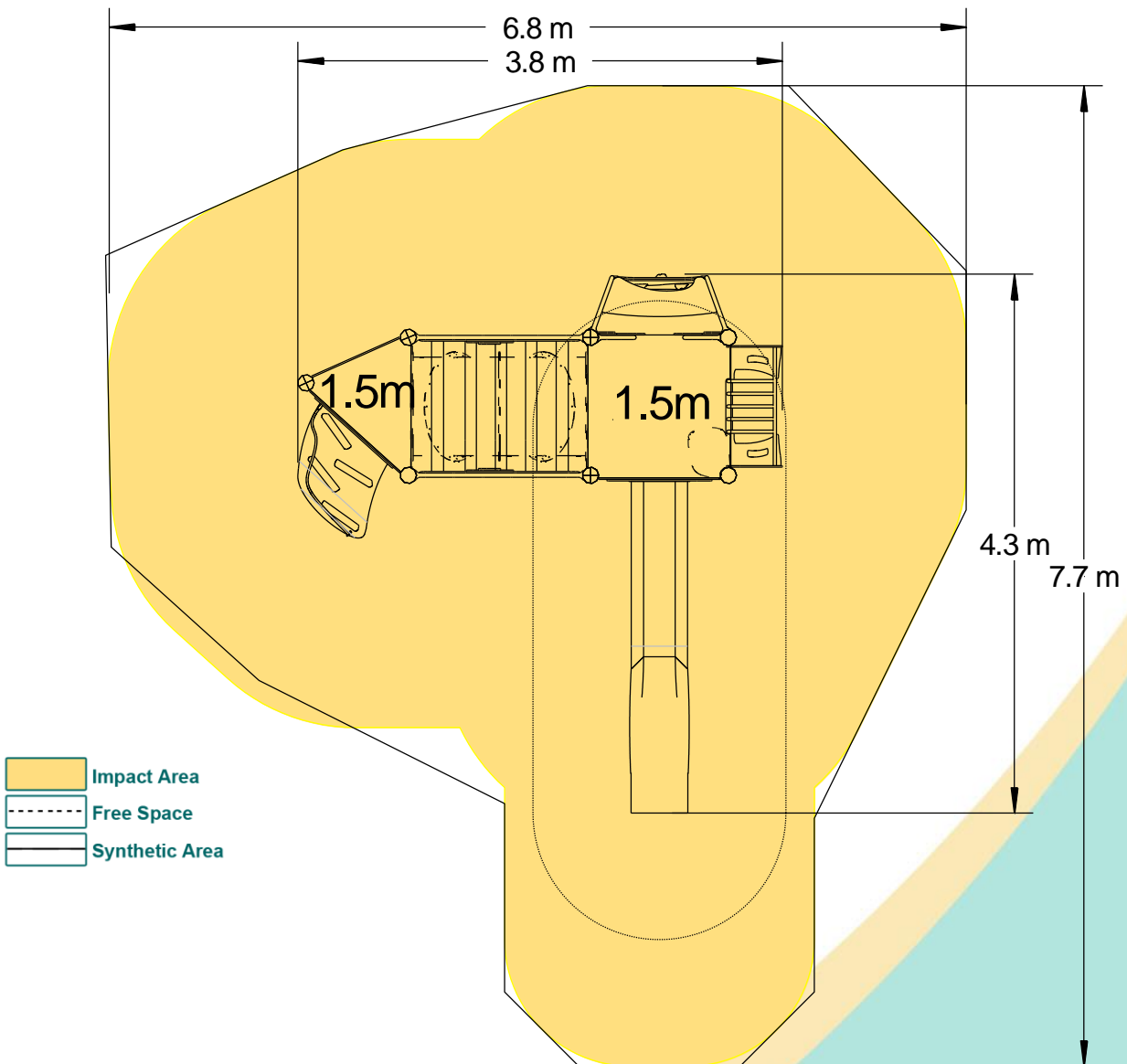
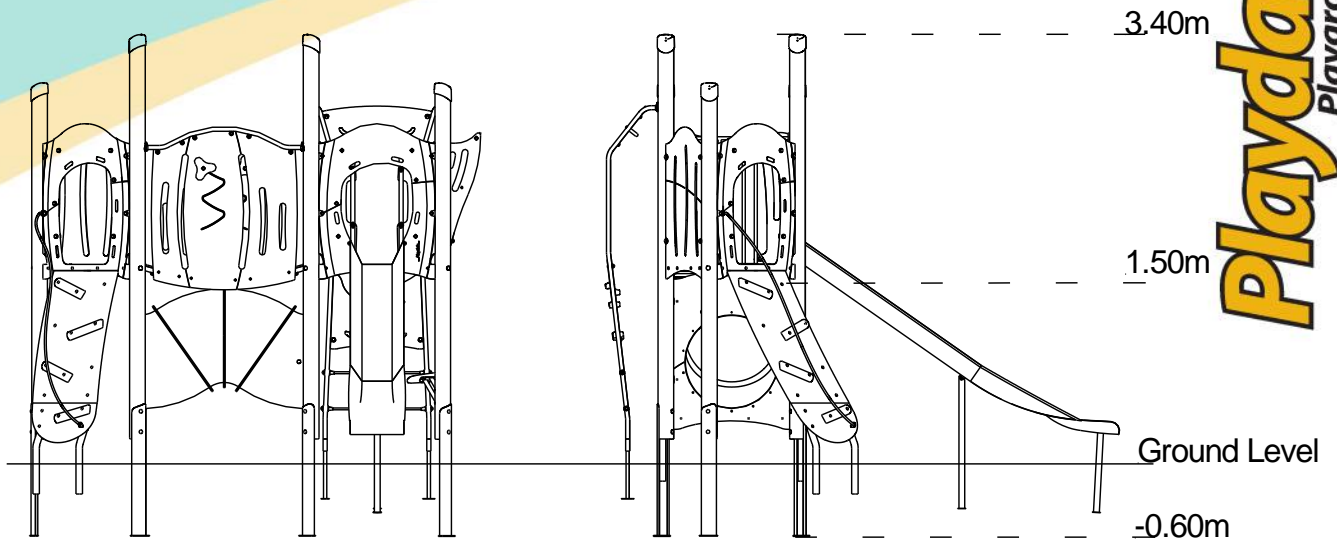
Installation Information

	Steel Ground Fixed	Surface Fixed (if different)
Installation Time	2 Person(s) 12 Hour(s)	
Overall Weight	700kg	
Heaviest Part	40kg	
Largest Part	3.1m x 0.5m x 0.5m	
Longest Part	3.3m	
Concrete Required	0.8m³	

Certified to EN 1176

[Click here for more information & downloads](#)





[Click here for more information & downloads](#)

