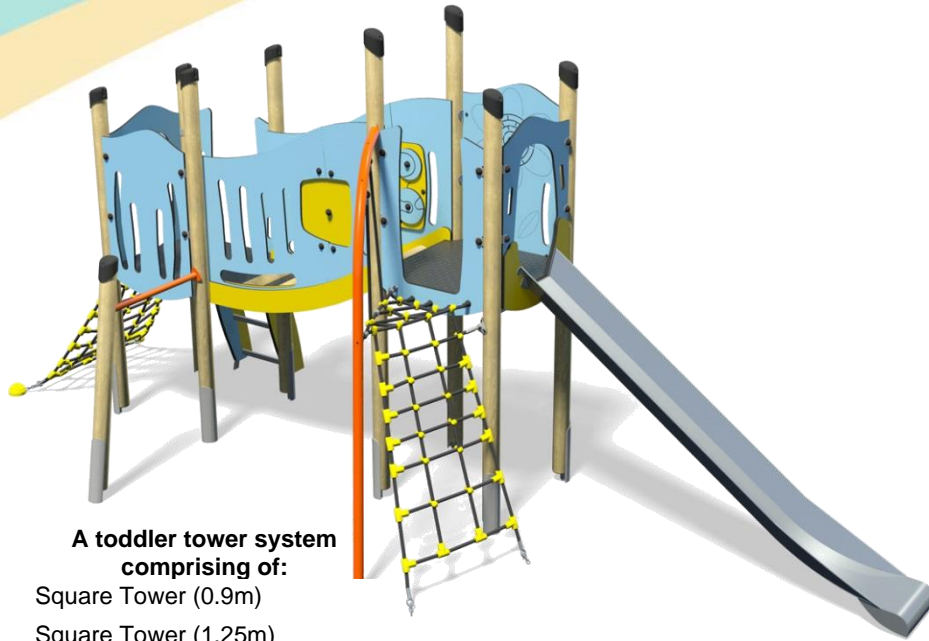


# Little Hamlets – Fernhill Plus



-  Option A-  
Light Blue/Yellow  
(Shown)
-  Option B-  
Purple/Yellow
-  Option C-  
Green

**A toddler tower system comprising of:**

- Square Tower (0.9m)
- Square Tower (1.25m)
- Slide (1.25m)
- Ladder (0.9m)
- Scramble Net (0.9m)
- Arched Net Climber (1.25m)
- Inclined Bridge
- Swing Bar
- Adding Wheel Play Panel
- Animal Home Trail Play Panel

**Code – LTH/FER/\*2**

<b>Age</b>	2-5 years
<b>Materials</b>	Laminated Timber Compact Grade Laminate (CGL) Galvanised or Painted Mild Steel Nylon Steel Cored Rope Stainless Steel Slide Stainless Steel Various Plastic Mouldings

## Technical Information

### Equipment Dimensions

Length / Width / Height **5.5m x 2.0m x 2.6m**

### Surfacing and Area Required

Recommended Minimum Space  
L/W/H **9.4m x 5.6m x 3.9m**

Max Gradient of Ground **1 in 50**

Free Height of Fall **1.25m**

Impact Area **33.08m<sup>2</sup>**

Synthetic Area  
(i.e. EPDM / Wet Pour / Synthetic Grass etc.) **32.05m<sup>2</sup>**

Loosefill at 250mm  
(i.e. Bark / Cushionfall / Sand) **11m<sup>3</sup>**

GrassLok Tiles **43m<sup>2</sup>**

### Installation Information

Steel Ground Fixed

Surface Fixed  
(if different)

Installation Time **2 Person(s) 12 Hour(s)**

Overall Weight **326kg**

Heaviest Part **23kg**

Largest Part **2.7m x 0.4m x 0.2m**

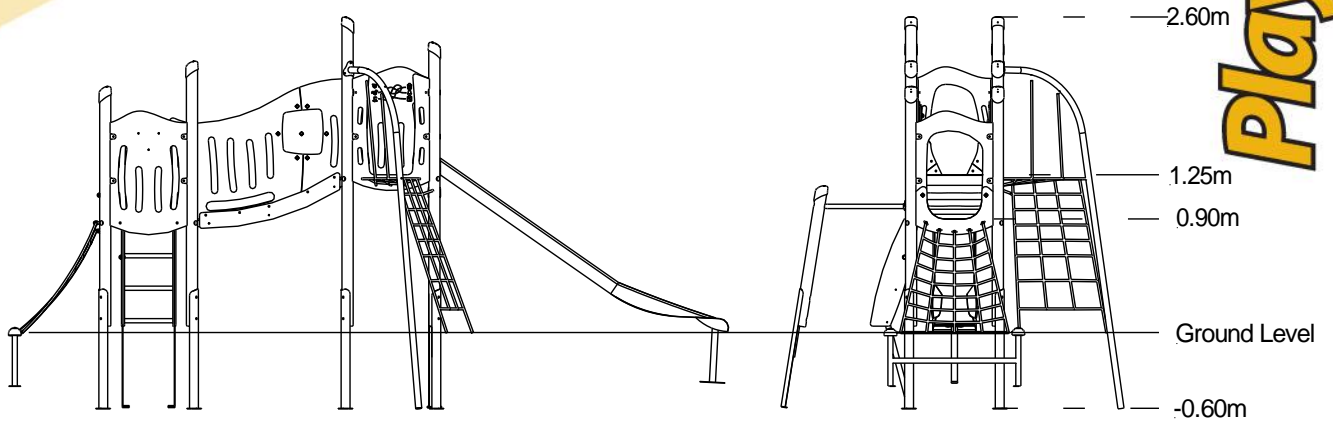
Longest Part **2.7m**

Concrete Required **0.8m<sup>3</sup>**

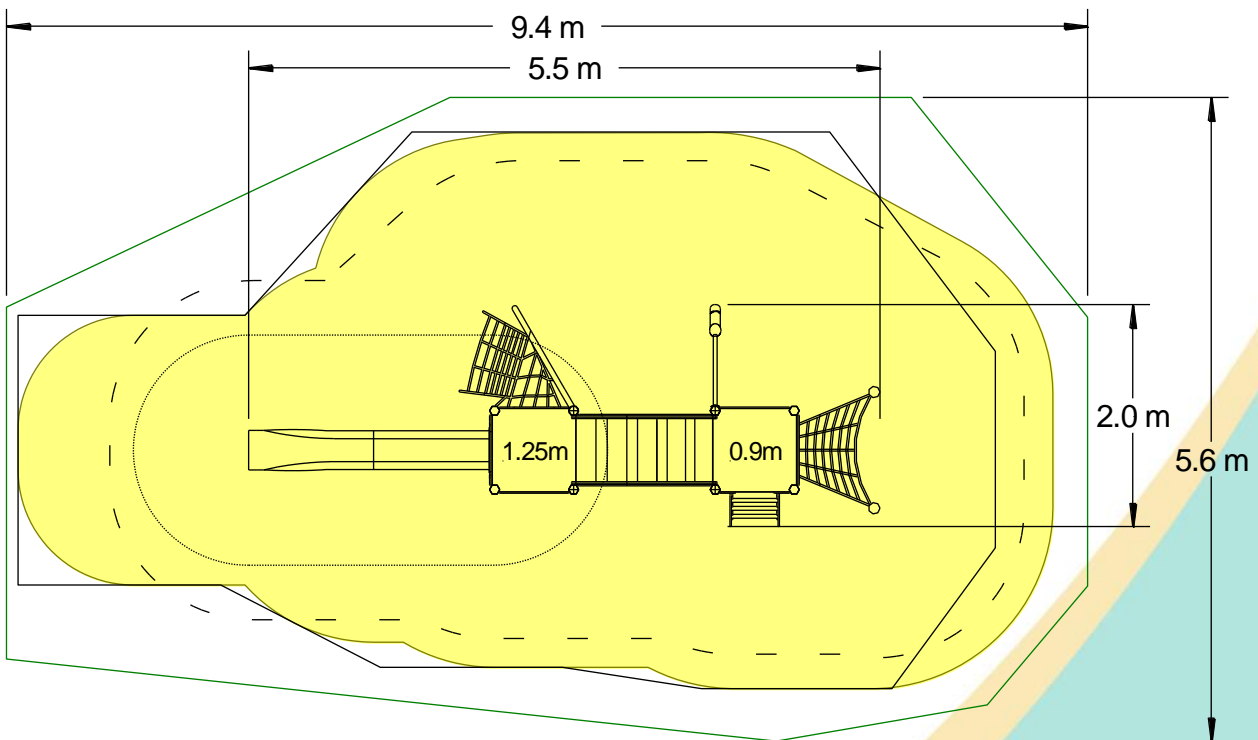
Certified to EN 1176

[Click here for more information & downloads](#)





-  Recommended Minimum Space
-  Impact Area
-  Free Space
-  Unit Spacing Boundary



[Click here for more information & downloads](#)

