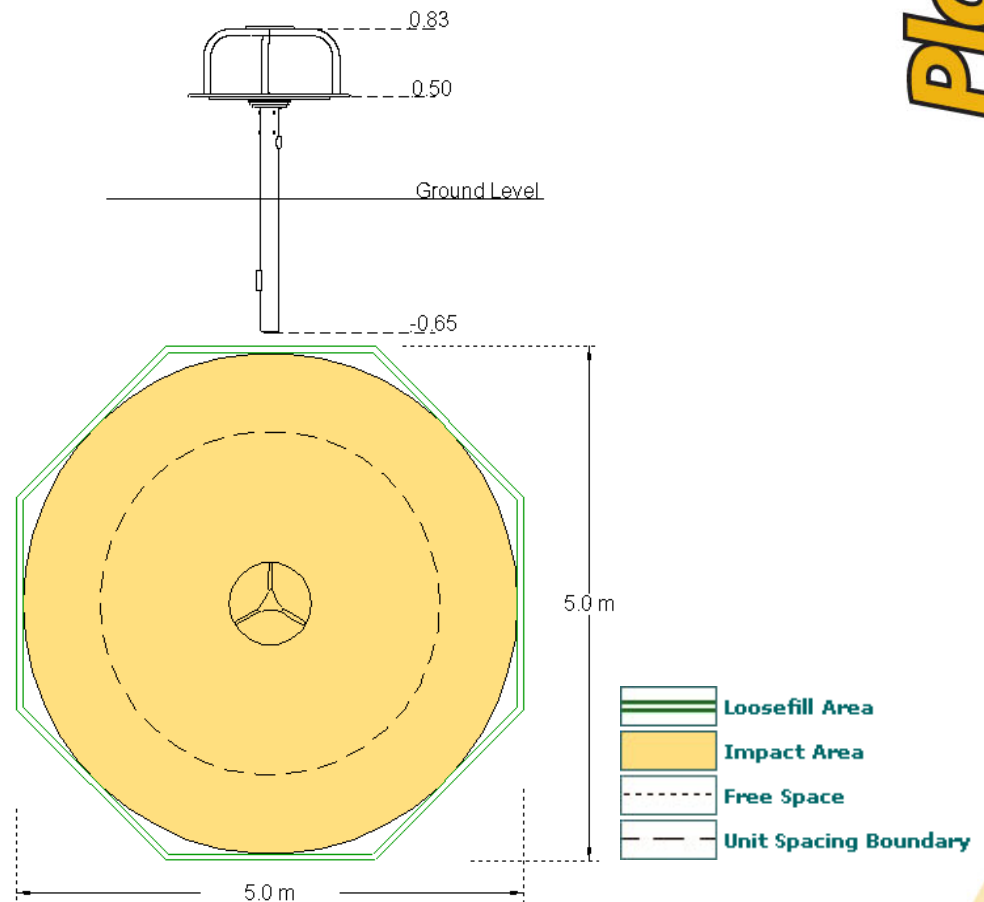



Movers – Mini Orbiter



Technical Information	
Equipment Dimensions	
Length / Width / Height	0.8m x 0.8m x 0.8m
Surfacing and Area Required	
Minimum Space Required L/W/H	5m x 5m x 2m
Max Gradient of Ground	1 in 50
Free Height of Fall	1.0m
Impact Area	19.09m²
Loosefill at 150mm	5m³
Bark / Cushionfall / Sand	n/a
Grasslok Tiles	n/a
Installation Information	
Overall Weight	32kg
Heaviest Part	14kg
Largest Part	1.04m x 0.2m x 0.2m
Longest Part	1.04m
Concrete Required	0.1m³
 KITEMARKED TO BS EN 1176	