




Upbeat – High Speed Plus



-  Option A-
Dark Blue/Yellow
-  Option B-
Purple/Lime Green
(Shown)
-  Option C-
Green

Code – JB/HSP/*2

Age
5-12 years
Materials
Laminated Timber
Compact Grade Laminate (CGL)
Galvanised or Painted Mild Steel
Nylon Steel Cored Rope
Stainless Steel Tube Slide
Stainless Steel Wide Slide
Various Plastic Mouldings

A junior tower system comprising of:

- Square Tower (2.8m)
- Square Tower (1.9m)
- Stainless Steel Wide Slide (1.5m)
- Climbing Wall (1.5m)
- Rope Ramp (1.9m)
- Twisted Scramble Net (1.9m)
- Inclusive Access
- Tunnel
- Inclined Bridge
- Hammock Rope
- Lookout Tower
- Square Tower Roof
- Upbeat Seat
- Bubble Play Panel
- Tube Slide (2.8m)

Technical Information

Equipment Dimensions

Length / Width / Height **10.7m x 6.2m x 5.3m**

Surfacing and Area Required

Recommended Minimum Space L/W/H **13.5m x 9.9m x 6.5m**

Max Gradient of Ground **1 in 50**

Free Height of Fall **2.8m**

Impact Area **79.55m²**

Synthetic Area (i.e. EPDM / Wet Pour / Synthetic Grass etc.) **79.48m²**

Loosefill at 350mm (i.e. Bark / Cushionfall / Sand) **37m³**

GrassLok Tiles **100m²**

Installation Information

Steel Ground Fixed

Surface Fixed
(if different)

Installation Time **2 Person(s) 18 Hour(s)**

Overall Weight **1981kg**

Heaviest Part **201kg**

Largest Part **3.5m x 3.4m x 2.2m**

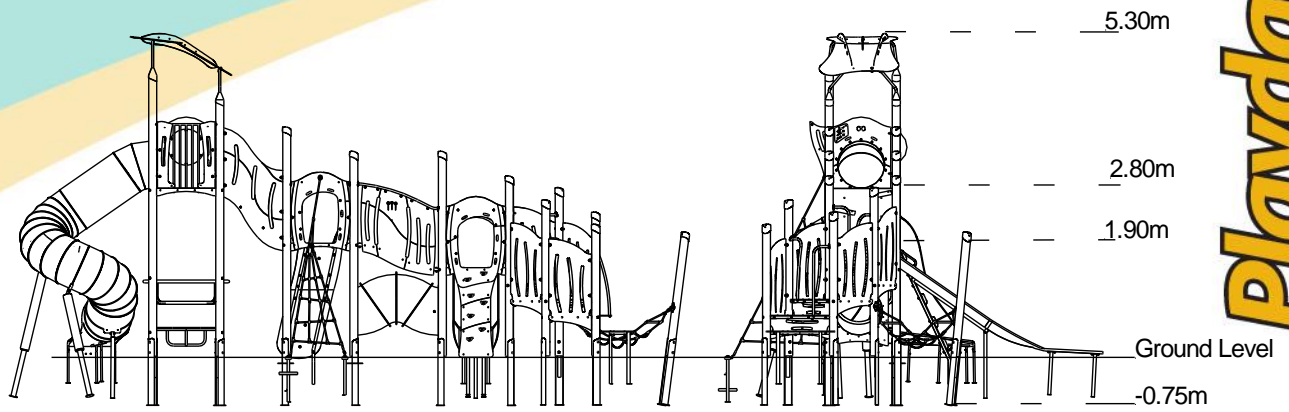
Longest Part **4.6m**

Concrete Required **1.5m³**

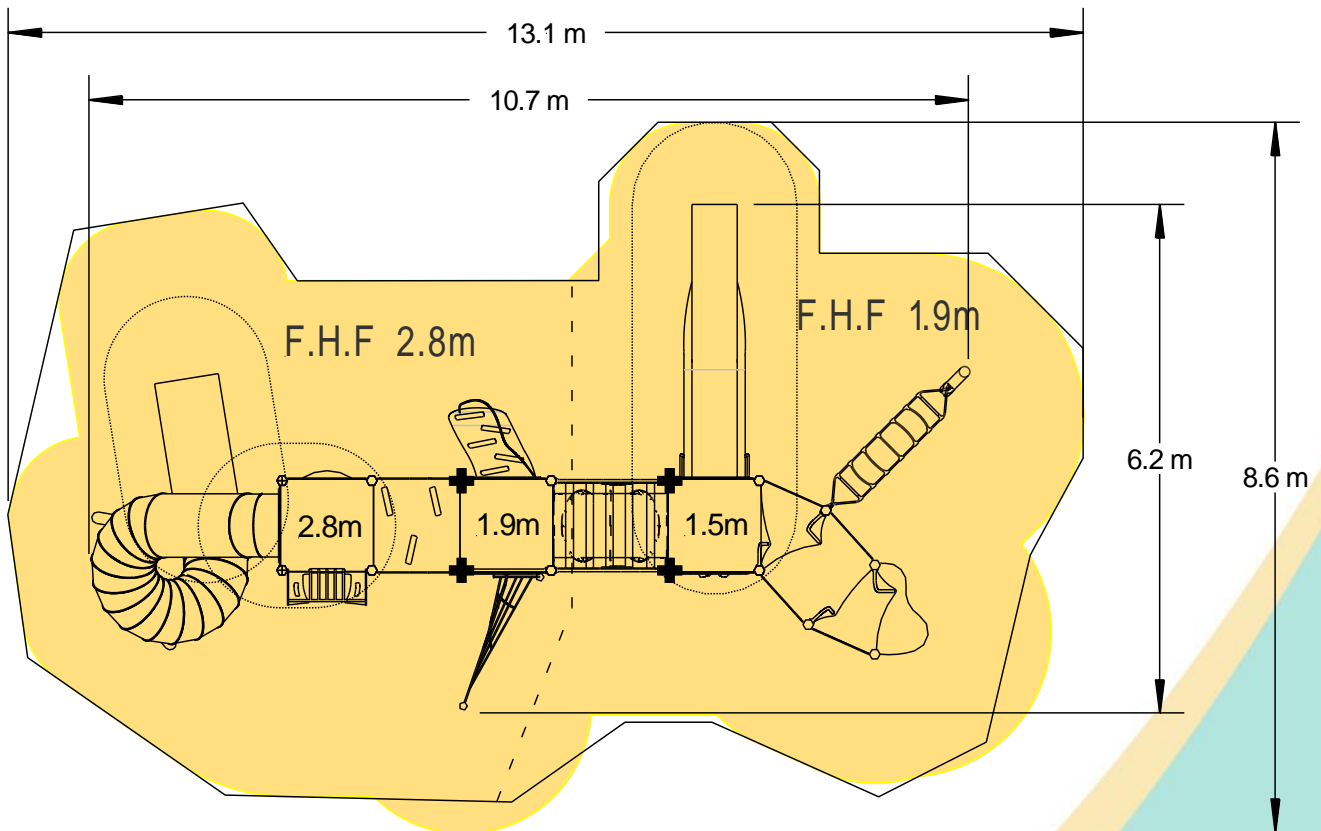
Certified to EN 1176

[Click here for more information & downloads](#)





- Impact Area
- Free Space
- Synthetic Area



[Click here for more information & downloads](#)