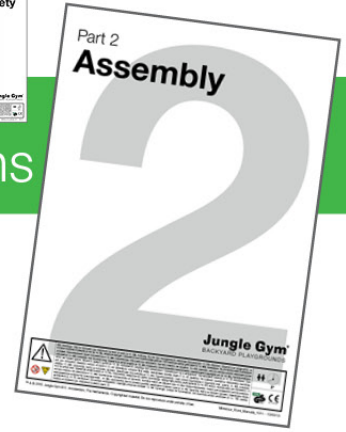


Part 2

Assembly

Instructions

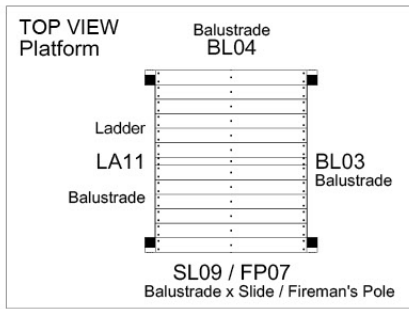


Jungle Club 2.1 &

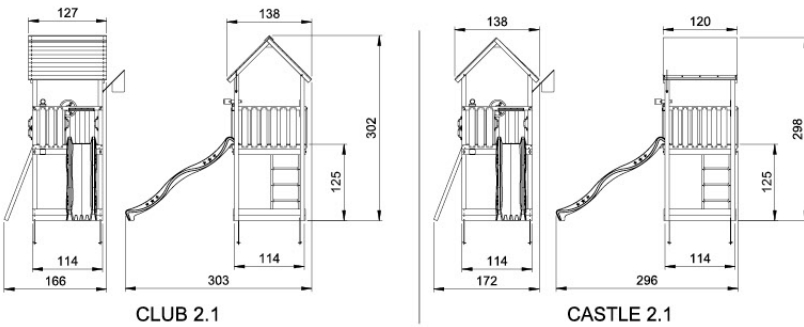
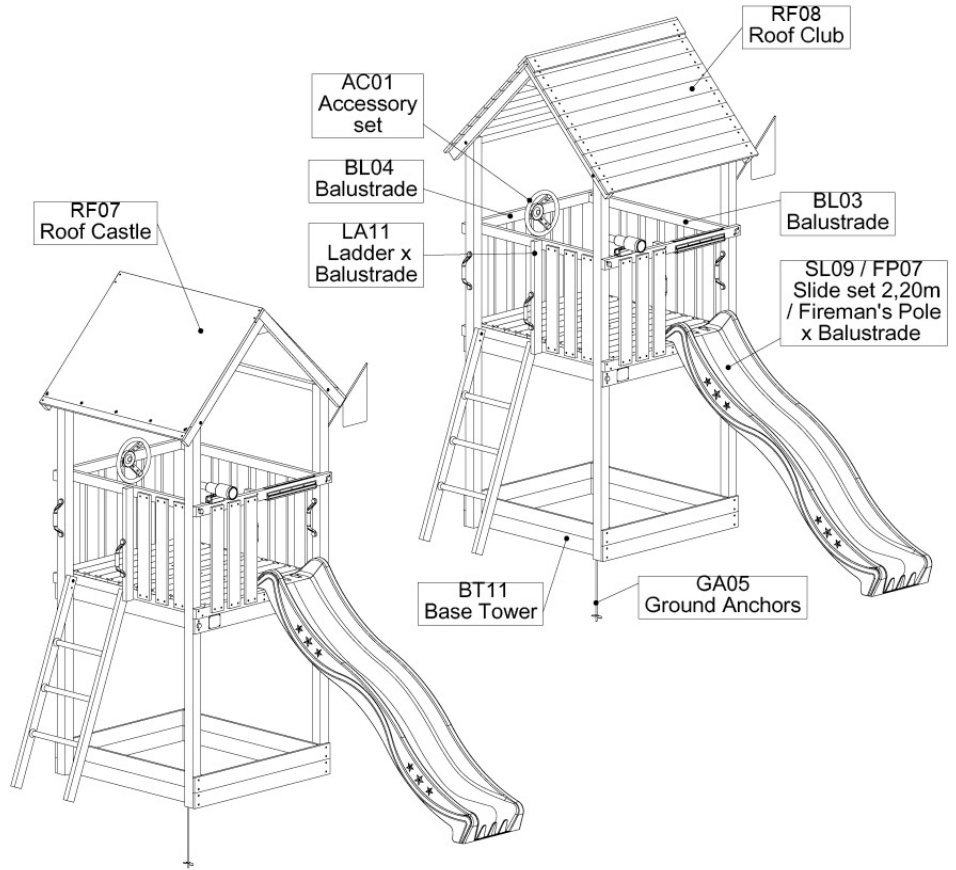
801_130

Jungle Castle 2.1

801_131



AK120125 Intro - s09 - 30-11-2020 - v1



Jungle Gym

BACKYARD PLAYGROUNDS

since 1988



EN. Warnings. Only for domestic use. Maximum number of users is 6. **DE.** Achtung. Nur für den Hausgebrauch. Maximale Benutzerzahl: 6. **FR.** Attention. Réserve à un usage familial. Le nombre maximal d'utilisateurs est de 6. **NL.** Waarschuwingen. Uitsluitend voor huishoudelijk gebruik. Het maximale aantal gebruikers is 6. **BG.** Внимание. За употреба само в домашни условия. Максималният брой потребители е 6. **CS.** Varování. Jen pro domácí použití. Maximální počet uživatelů je 6. **DA.** Advarsel. Kun til privat brug. Maksimum antal brugere er 6. **EL.** Προειδοποίηση. Μόνο για οικιακή χρήση. Μέγιστος αριθμός χρηστών 6. **ES.** Advertencias. Solo para uso doméstico. Número máximo de usuarios: 6. **ET.** Holatused. Ainult koduseks kasutamiseks. Maksimaalne kasutajate arv on 6. **FI.** Varoitukset. Ainoastaan kotikäyttöön. Käyttäjää yhteensä enintään 6. **HR.** Upozorenja. Samo za kućansku uporabu. Maksimalan broj korisnika je 6. **HU.** Figyelmeztetések. Csak otthoni használatra! A használók max. száma: 6. **IS.** Varnaðarorð. Engöngun fyrir einhnanotkun í heimahúsum og á einaklóðum. Hámarksfjöldi notenda er 6. **IT.** Avvertenze. Solo per uso domestico. Massimo numero di utenti è 6. **LT.** Įspėjimai. Tik buitnam naudojimui. Maksimalus naudotojų skaičius 6. **LV.** Brīdinājumi. Izmantoj tikai mājās. Maksimālais lietotāju skaits ir 6. **NO.** Advarsel. Kun for privat bruk. Maksimalt antall brukere er 6. **PL.** Ostrzeżenia. Wyłącznie do użytku domowego. Maksymalna liczba użytkowników to 6. **PT.** Avisos. Apenas para uso doméstico. O número máximo de utilizadores é 6. **RO.** Avertismente. Numai pentru uz domestic. Numărul maxim de utilizatori este 6. **RU.** Предостережения. Только для домашнего использования. Максимальное количество пользователей - 6. **SK.** Upozornenia. Iba na domáce použitie. Maximálne množstvo osôb je 6. **SL.** Opozorila. Samo za domačo uporabo. Maksimalno število uporabnikov je 6. **SR.** Upozorenja. Samo za kućnu upotrebu. Maksimalan broj korisnika je 6. **SV.** Varningar. Endast för hemmabruk. Det maximala antalet användare är 6. **TR.** Uyarılar. Sadece ev kullanımı için. Maksimum kullanıcı sayısı 6.



01 What's in the delivery?

401_125 / 123_222 (Jungle Castle 2.1)

<p>1x 040_805 1x 040_030</p>	<p>1x 022_300</p>	<p>1x 120_024</p>	<p>2x 007_001</p>	<p>2x 120_102</p> <p>4x 022_320</p> <p>8x 001_404</p>
<p>1x 103_901</p> <p>1x 123_200</p>	<p>1x 122_302</p> <p>1x 022_800</p>	<p>3x 005_03x</p> <p>6x 022_835</p>	<p>1x 104_107</p>	<p>1x 100_051</p>
<p>1x 022_910</p>	<p>2x 005_522</p>	<p>(Jungle Castle 2.1)</p> <p>1x 123_222</p> <p>120 cm</p> <p>Canvas</p>	<p>1x 201_275</p> <p>1x 324_x00</p> <p>FMP / Slide</p>	

02 Hardware Club

Total HWP 100_xxx Jungle Club

001_417	8x		ø8 x 80mm
001_411	4x		ø8 x 60mm
001_406	7x		ø8 x 45mm
001_404	4x		ø8 x 30mm
002_223	57x		ø5 x 80mm
002_220	324x		ø5 x 45mm
002_219	6x		ø5 x 30mm
002_308	2x		ø5.0 x 20mm
002_041	3x		ø4.5 x 20mm
002_042	4x		ø3.5 x 13mm
000_101	10x		ø2 x 20mm
120_005	8x		M8

02 Hardware Castle

20211004

Total HWP 100_xxx Jungle Castle

20211004

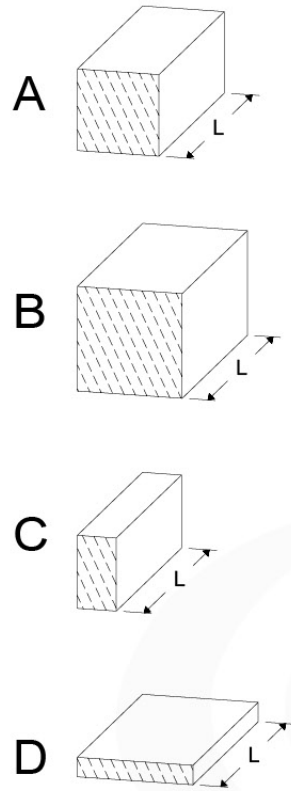
001_417	8x		ø8 x 80mm
001_406	7x		ø8 x 45mm
001_404	4x		ø8 x 30mm
002_223	43x		ø5 x 80mm
002_220	238x		ø5 x 45mm
002_219	6x		ø5 x 30mm
002_308	12x		ø5.0 x 20mm
002_041	3x		ø4.5 x 20mm
002_042	4x		ø3.5 x 13mm
000_101	10x		ø2 x 20mm
023_031	10x		ø5mm
120_005	8x		M8

03 Timber

Jungle Club 2.1 | Castle 2.1

601_130
Jungle
Club 2.1

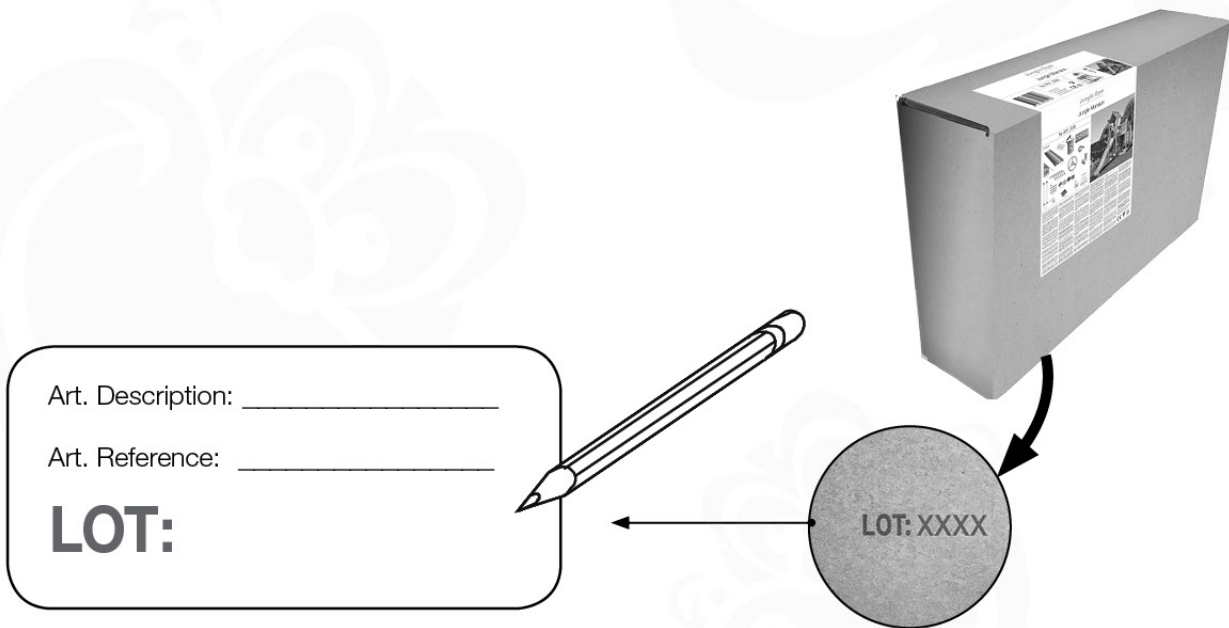
601_131
Jungle
Castle 2.1



	L		
A240	239cm - 240cm	4 x	4 x
-	-	-	-
C130 C114 C96 C90 C70	129cm - 130cm 113cm - 114cm 95cm - 97cm 89cm - 90cm 69cm - 70cm	2 x 9 x 2 x 2 x 2 x	2 x 9 x 2 x 2 x 2 x
D127 D120 D114 D100 D65	126cm - 127cm 119cm - 120cm 113cm - 114cm 99cm - 100cm 64cm - 65cm	18 - 24 x 12 x 11 - 14 x 19 x	 3 x 12 x 11 - 14 x 19 x

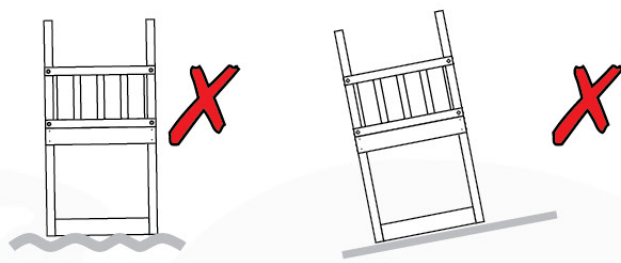
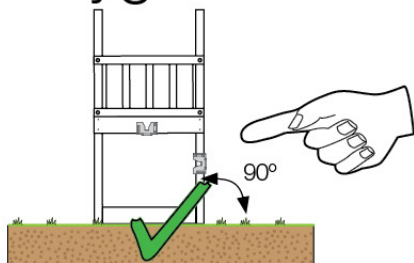
output: 31/05/21

04 Product Identification

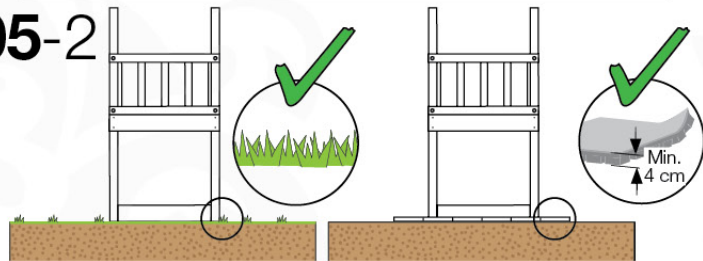


05 Safe Playground

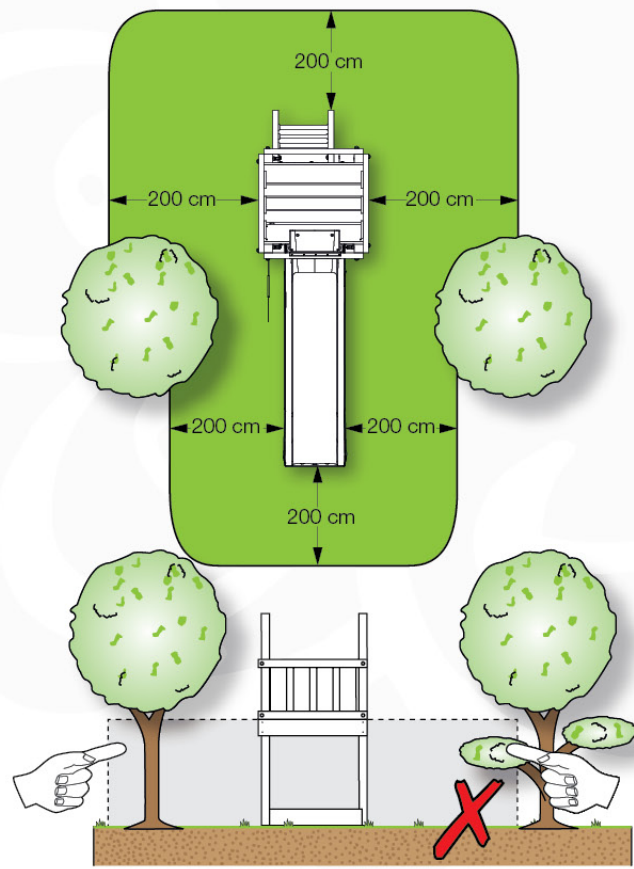
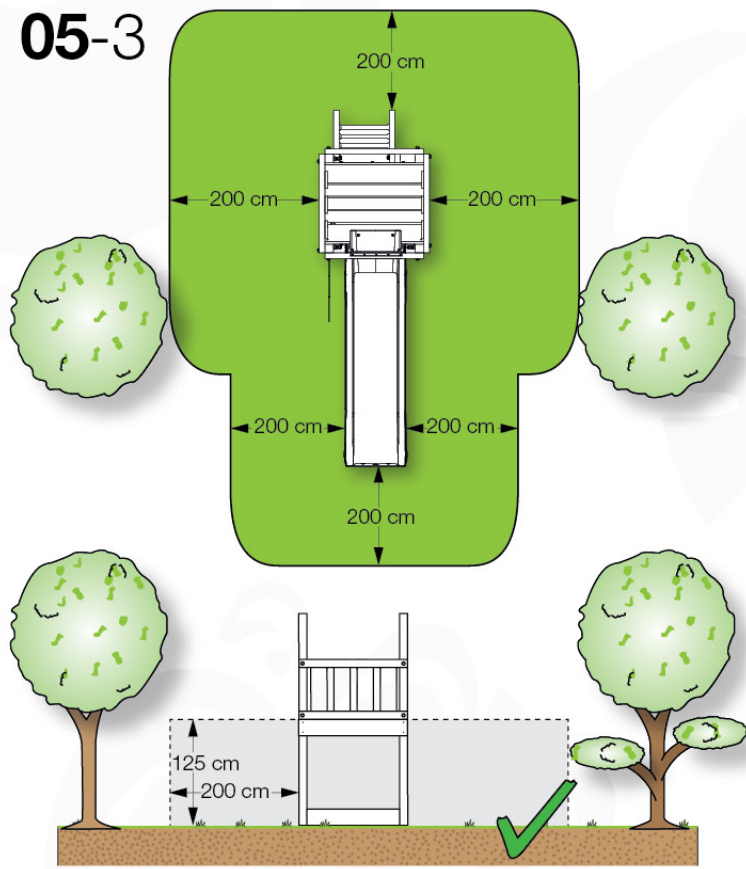
05-1



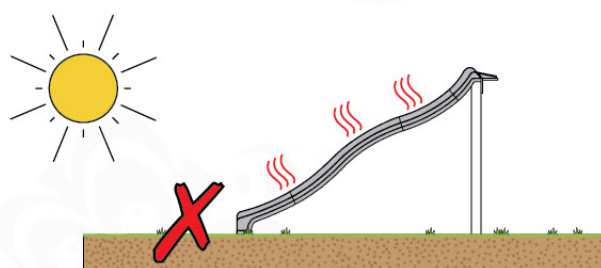
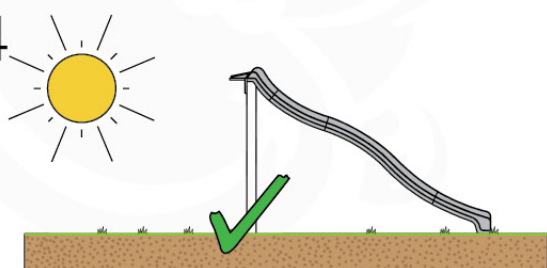
05-2



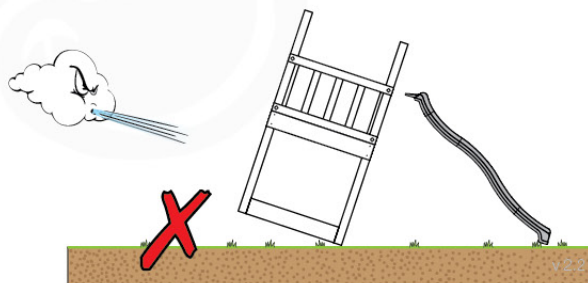
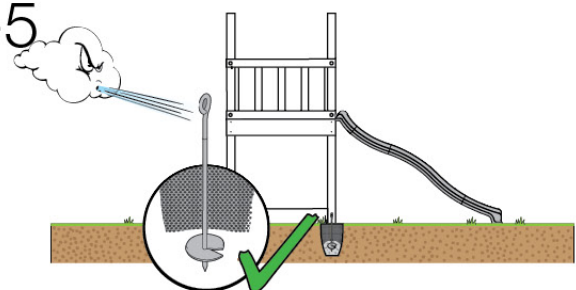
05-3



05-4



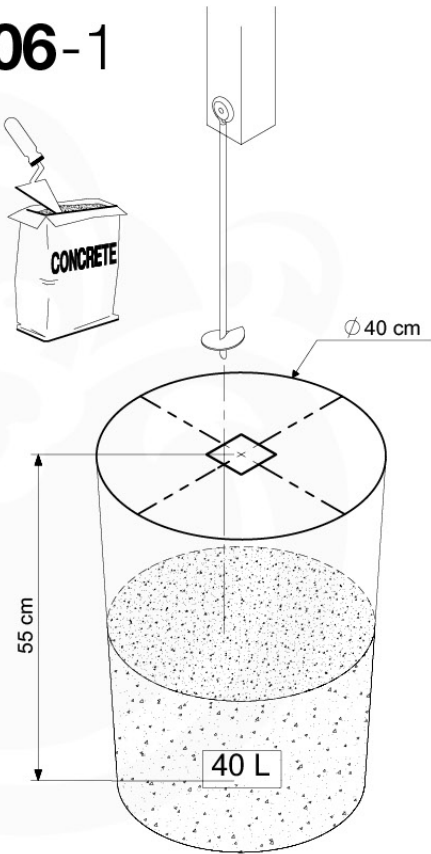
05-5



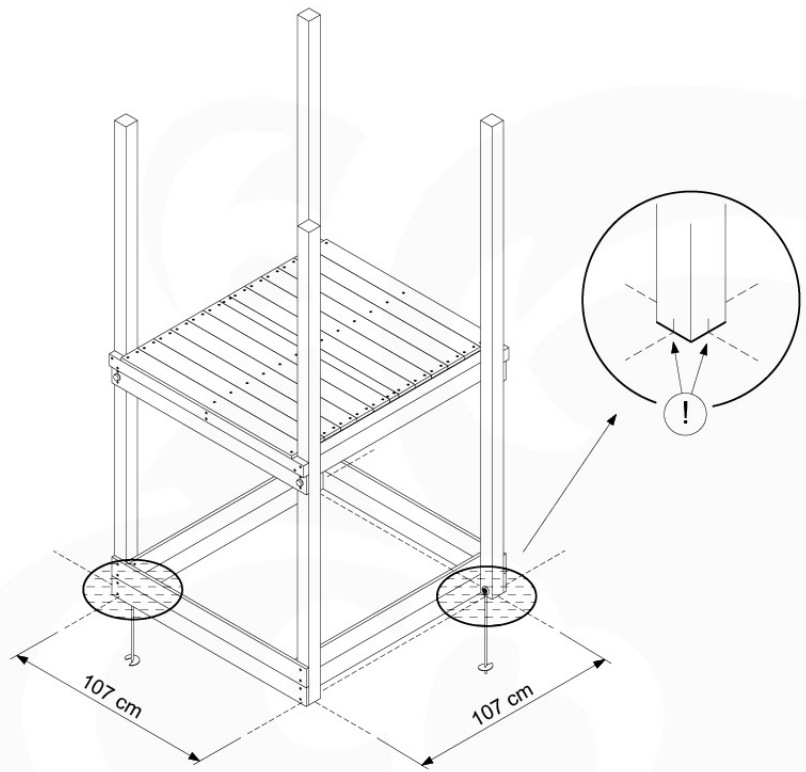
06 Playground Foundation

FD05

06-1



Foundation Plan - P07 - 2/11-2020 - v8



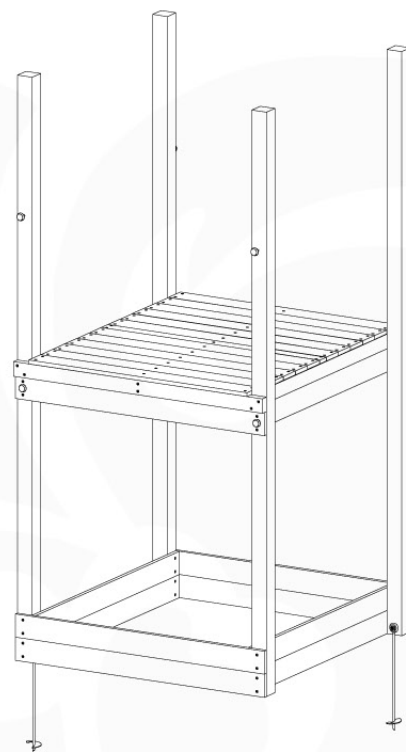
See Foundation Plan P7

07 Base Tower

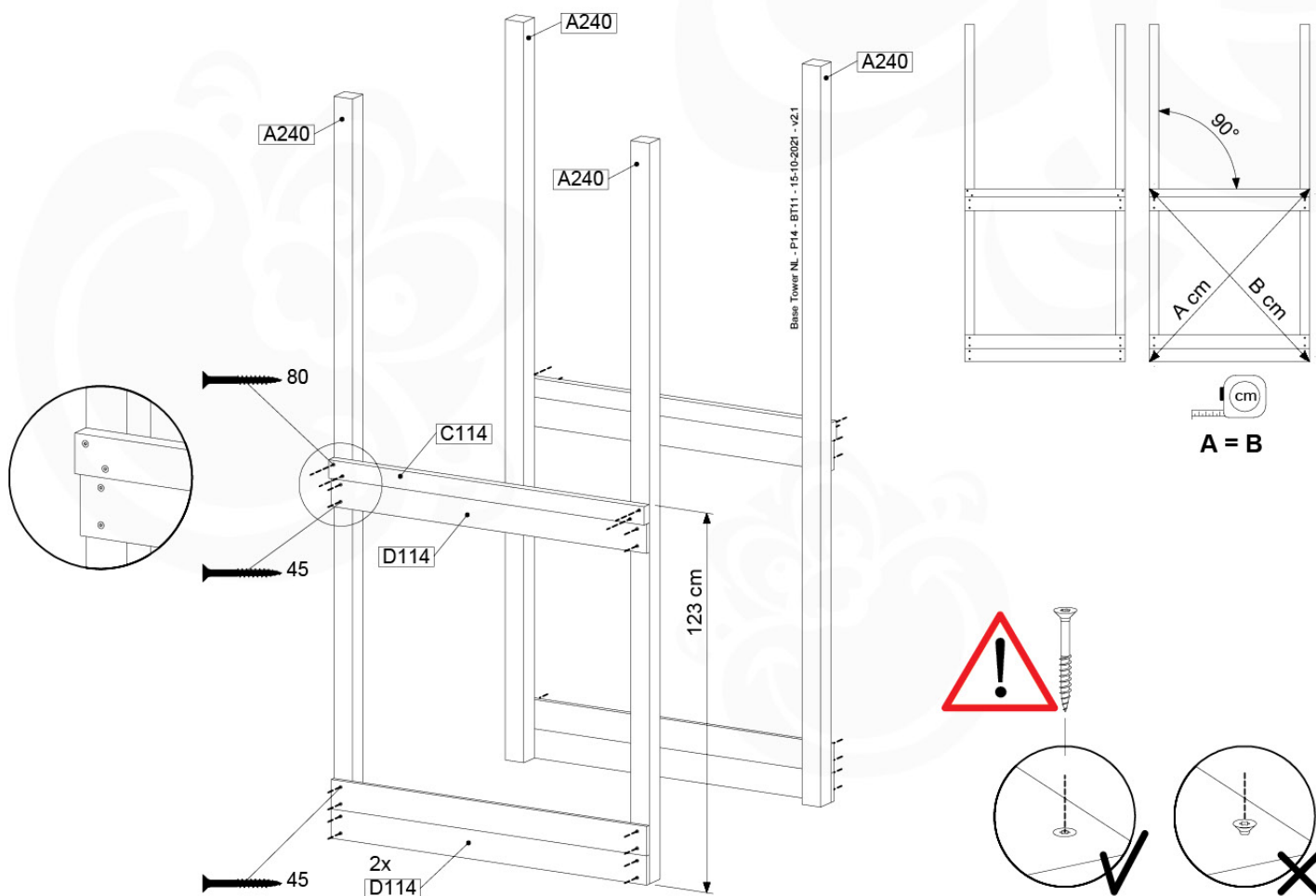
BT11

	PartNo	PartName	QTY.
Hardware pack	001_406	Stealth Screw 8x45	6
	001_417	Stealth Screw 8x80	4
	002_220	Gap Point Screw T25 - 5x45	118
	002_223	Gap Point Screw T25 - 5x80	20
	022_31x	bpc-base version 3	8
	022_84x	bpc cover	8
Other	007_001	Ground-anchor	2
Timber	A240	Post 70x70 L2400	4
	C114	Beam 1140 mm	5
	D100	Board 1000 mm	14
	D114	Board 1140 mm	12

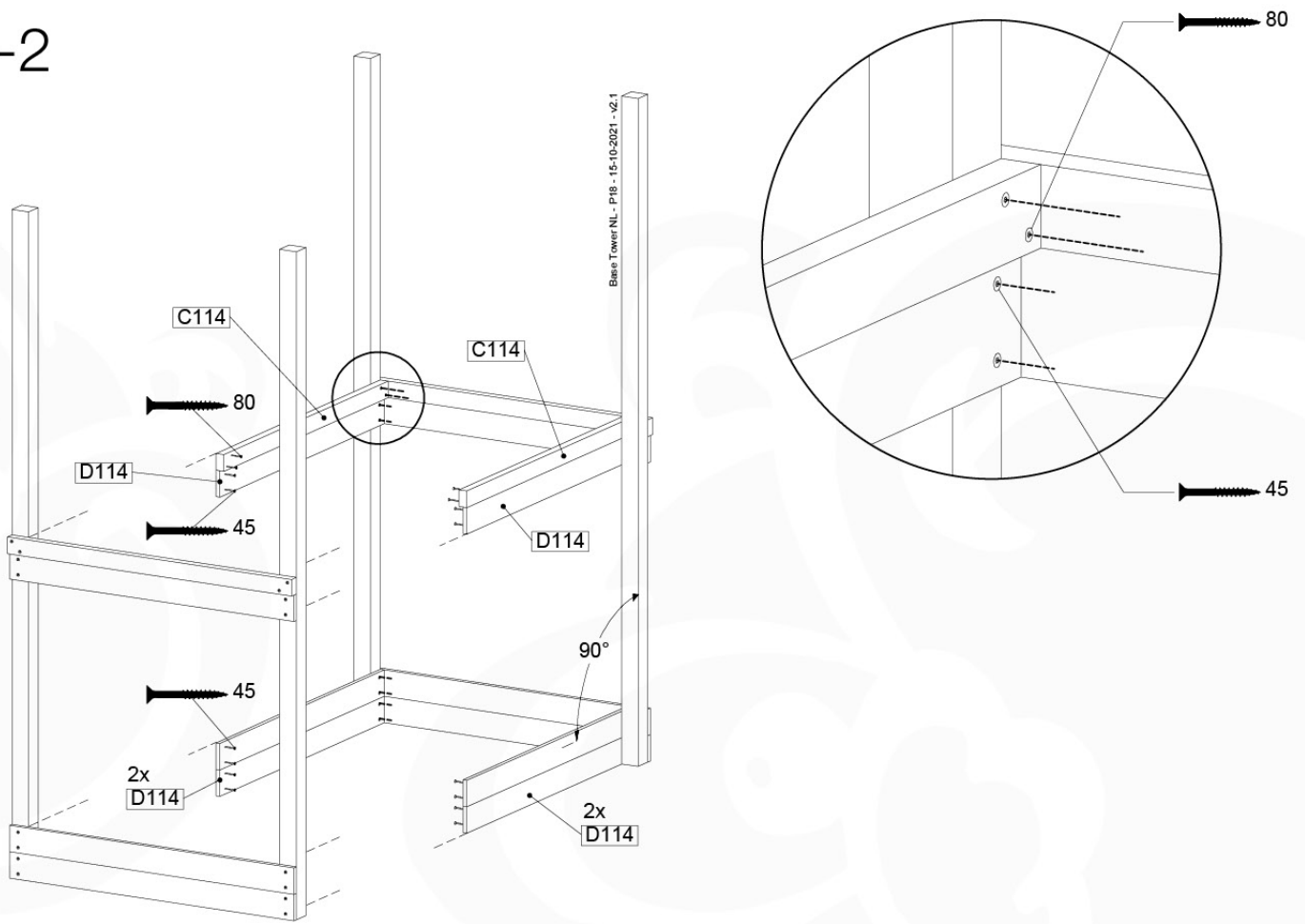
Base Tower NL - P08 - BT11 - 15-10-2021 - v2.1



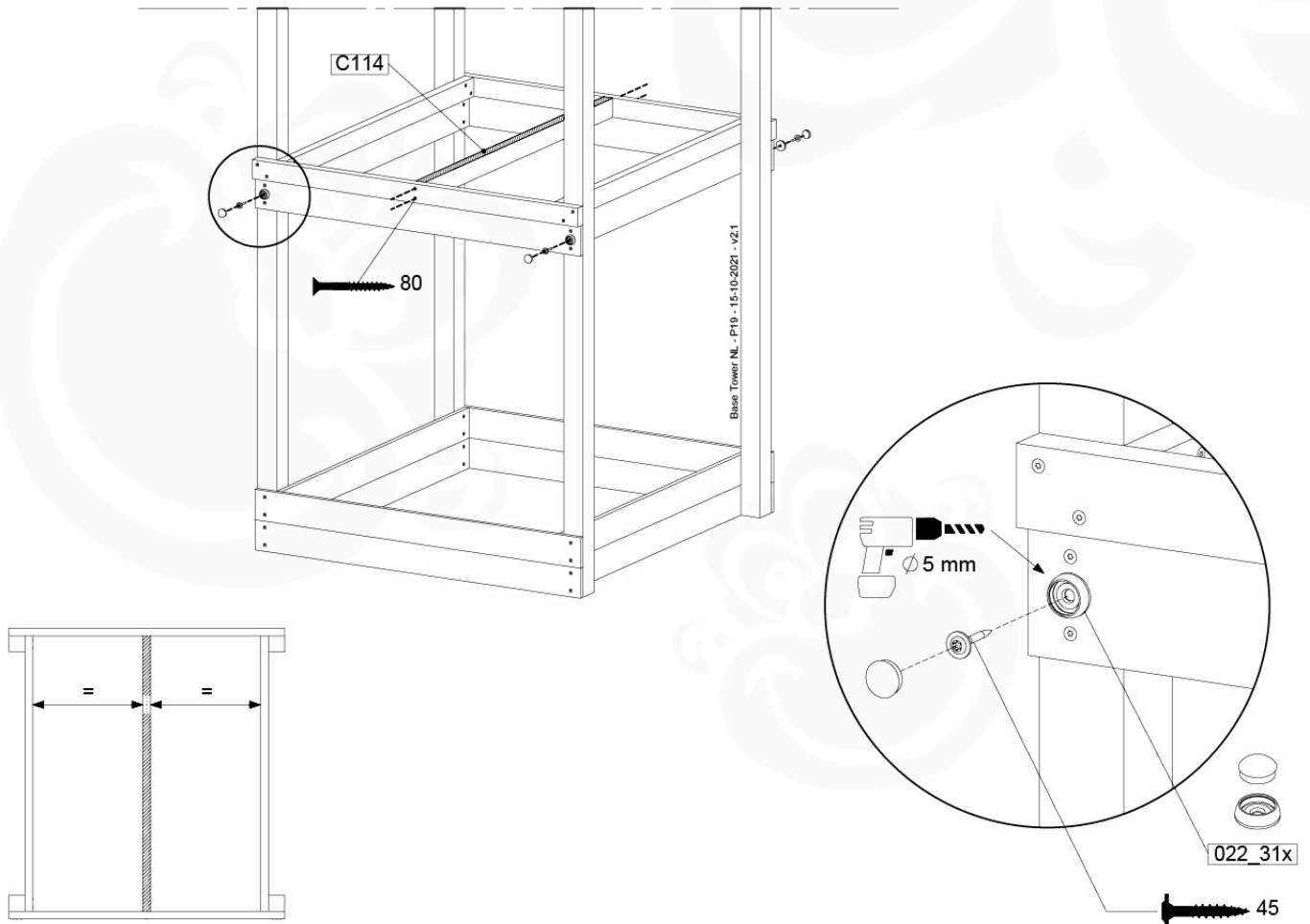
07-1



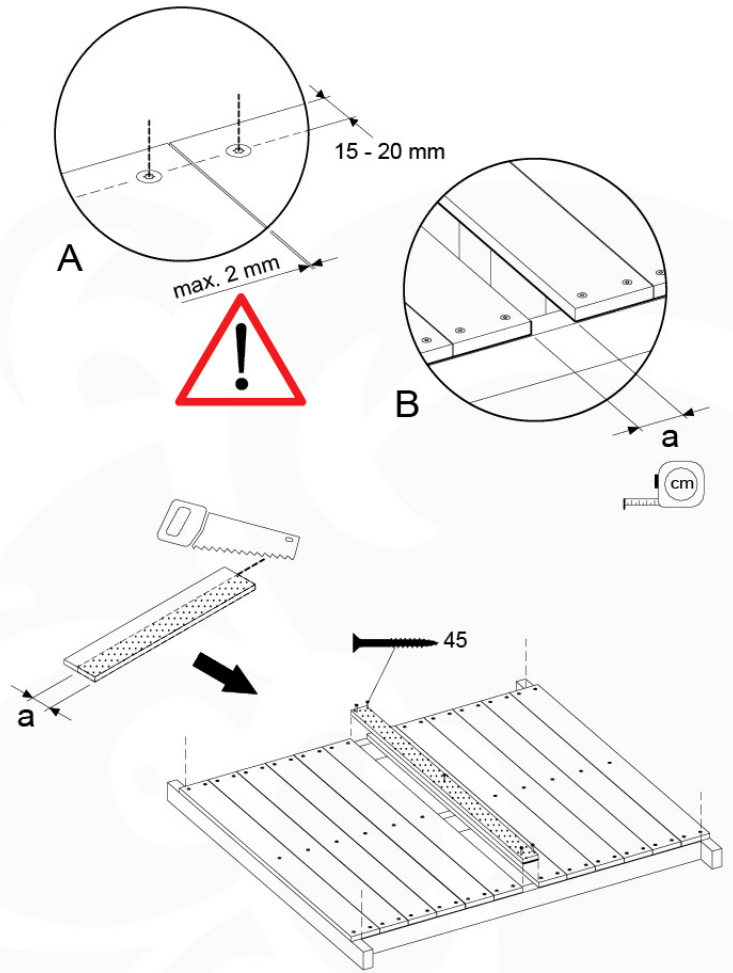
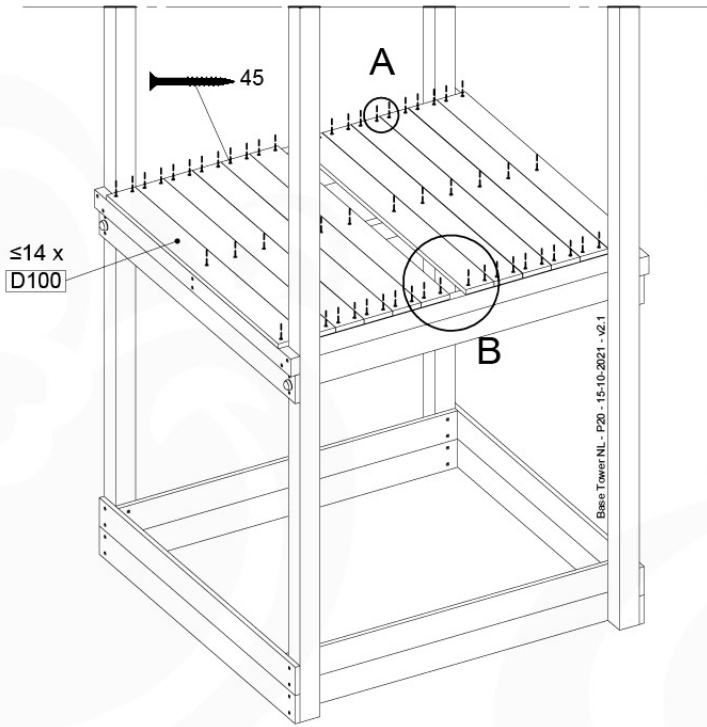
07-2



07-3

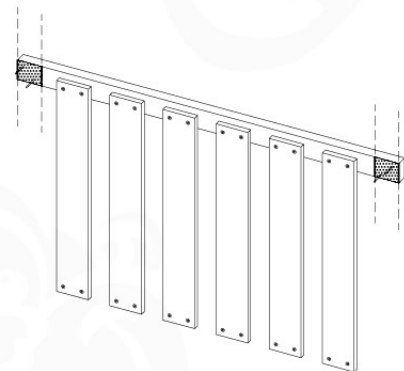


07-4



08 Balustrade (1x)

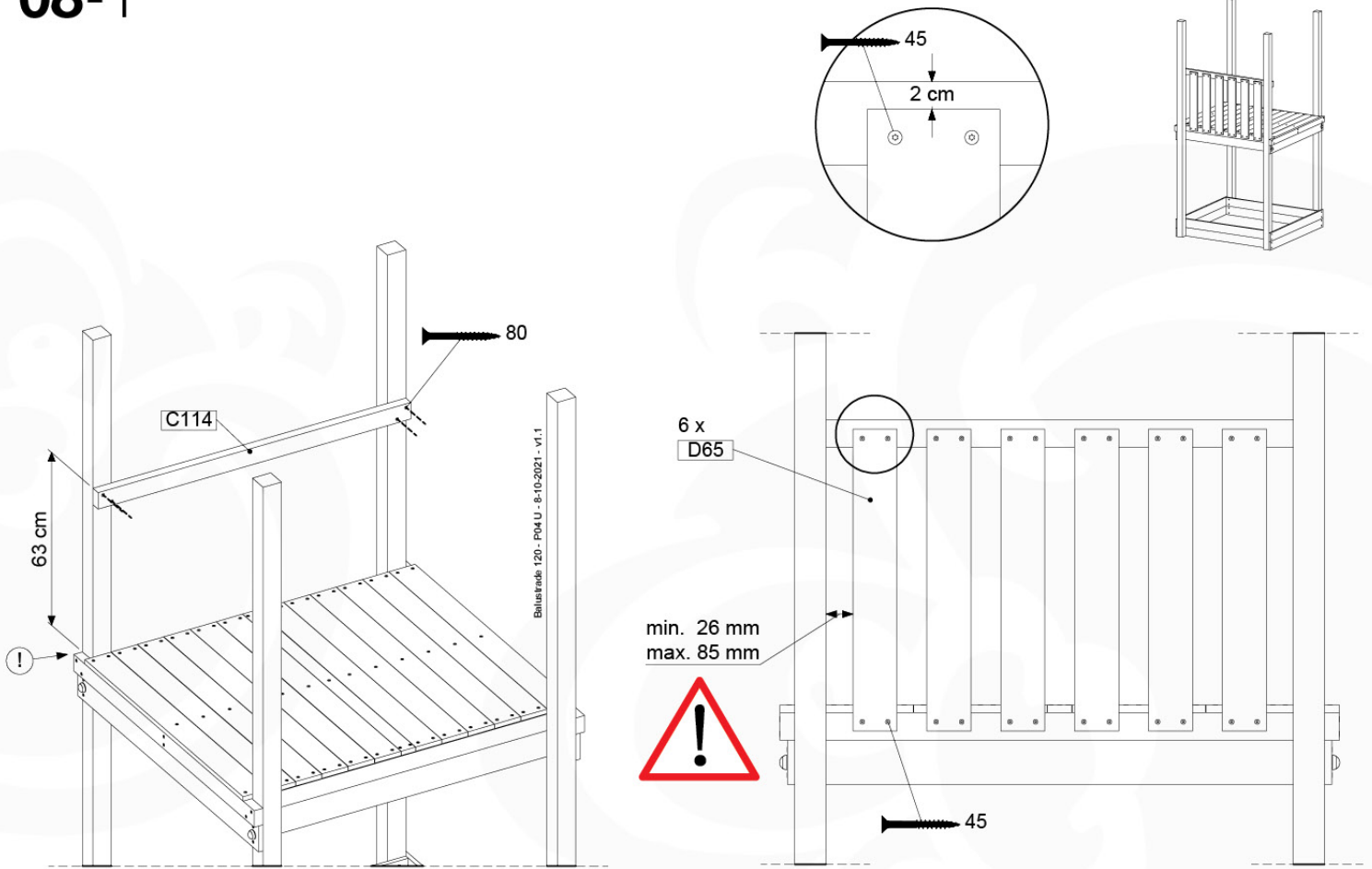
BL03



	PartNo	PartName	QTY.
Hardware Pack	002_220	Gap Point Screw T25 - 5x45	24
	002_223	Gap Point Screw T25 - 5x80	4
Timber	C114	Beam 1140 mm	1
	D65	Board 650 mm	6

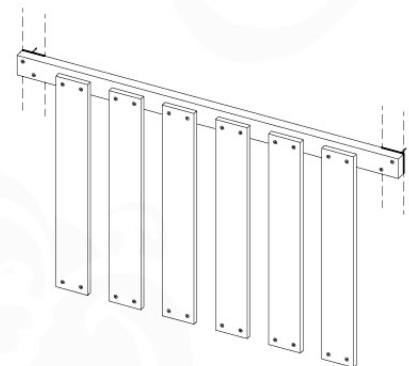
Balustrade 120 - P12 U - 8-10-2021 - v1.1

08-1



09 Balustrade (1x)

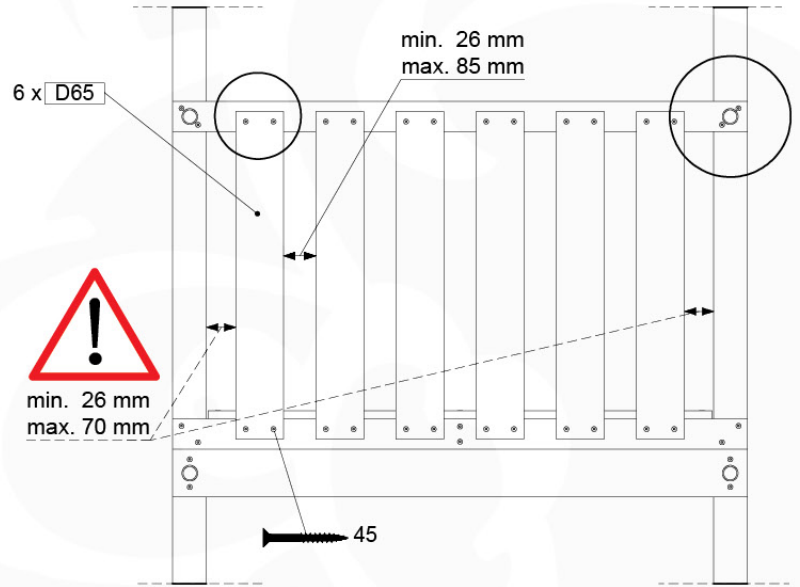
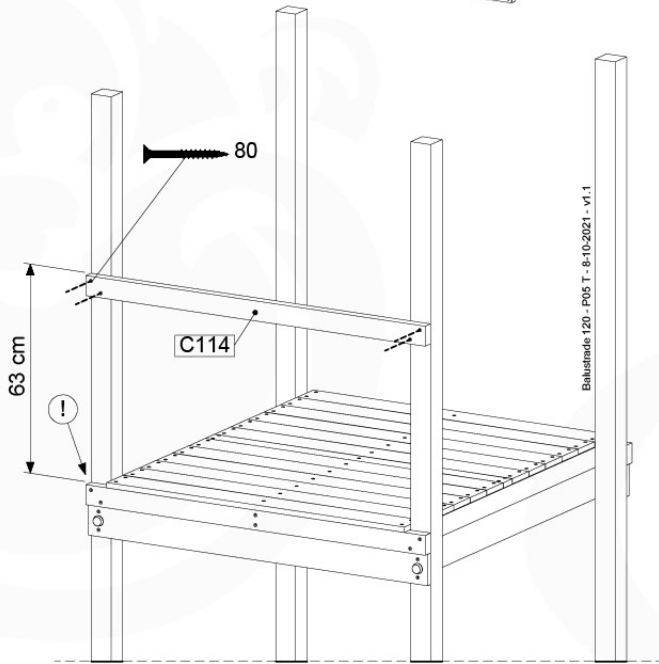
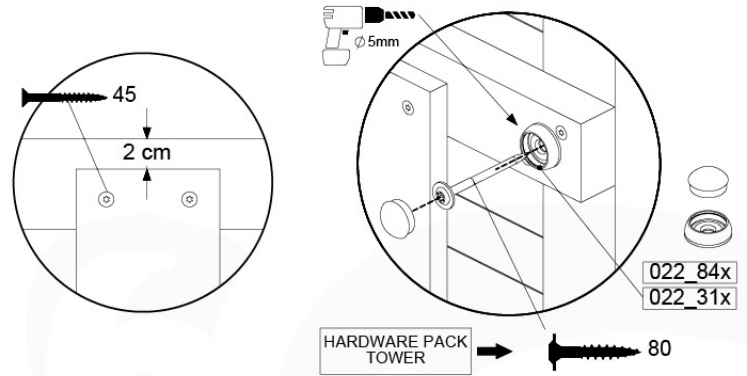
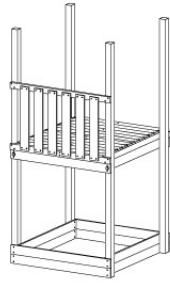
BL04



	PartNo	PartName	QTY.
Hardware Pack	002_220	Gap Point Screw T25 - 5x45	24
	002_223	Gap Point Screw T25 - 5x80	4
Timber	C114	Beam 1140 mm	1
	D65	Board 650 mm	6

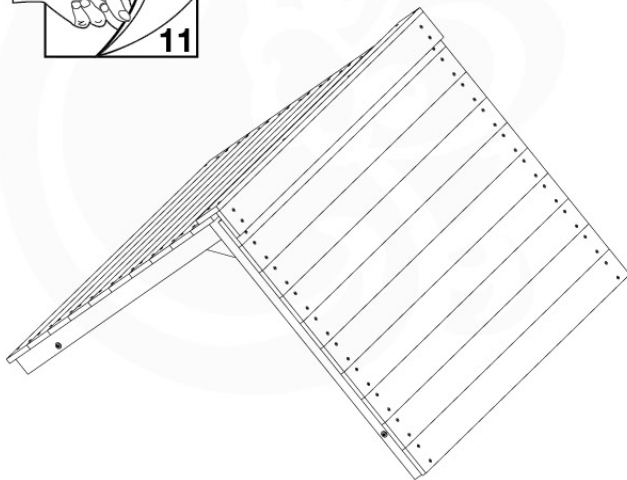
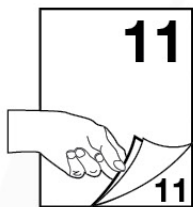
Balustrade 120 - P04 U - 8-10-2021 - v1.1

09-1

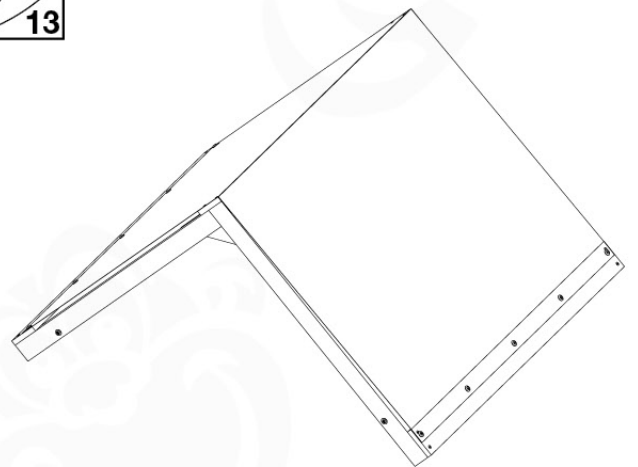
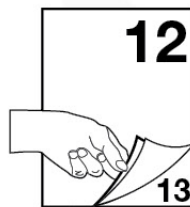


10 Roof

Club

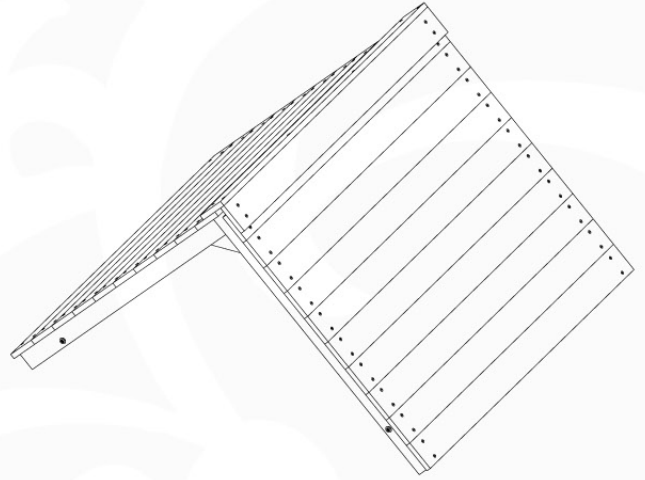


Castle



11 Roof Club

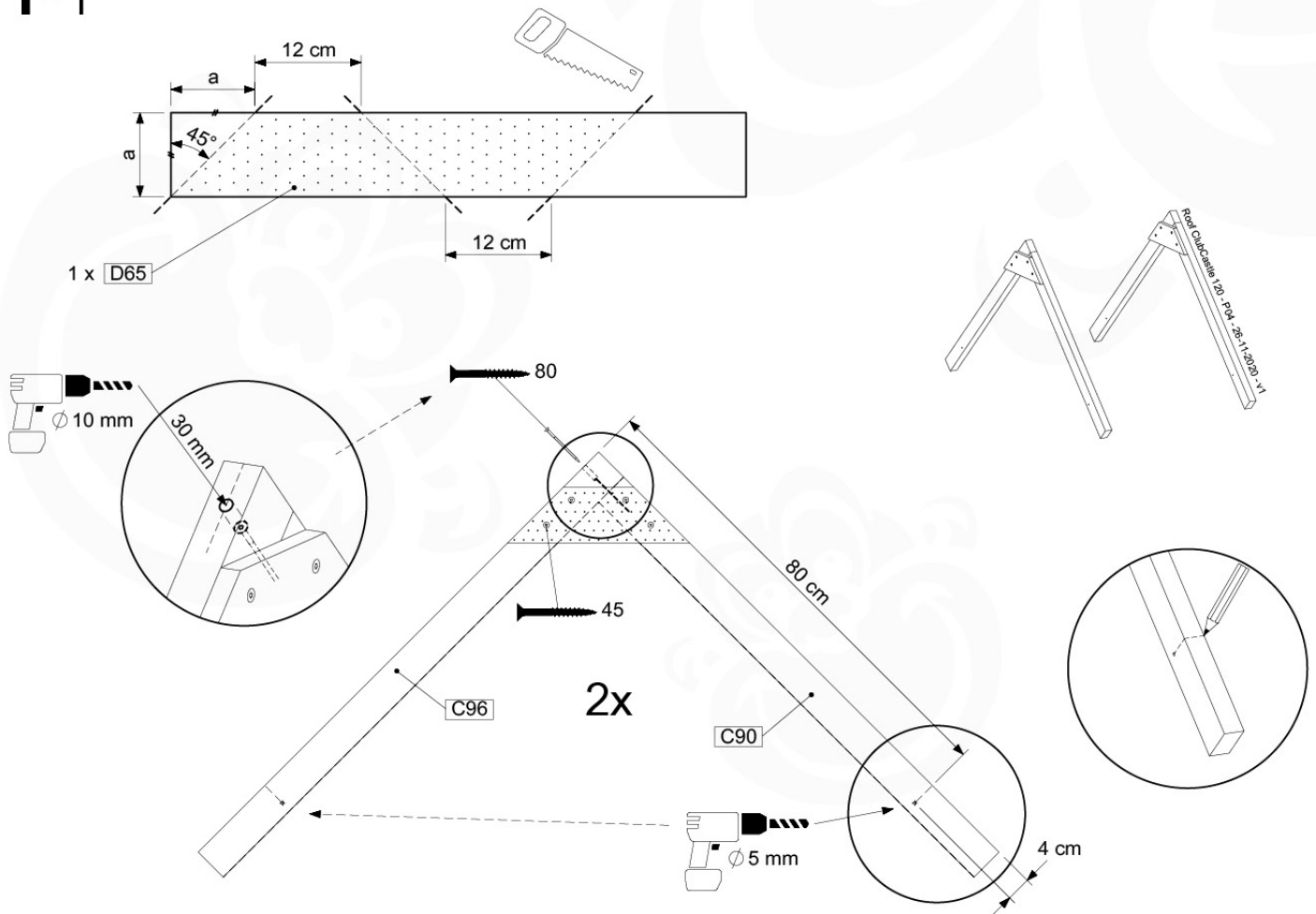
RF08



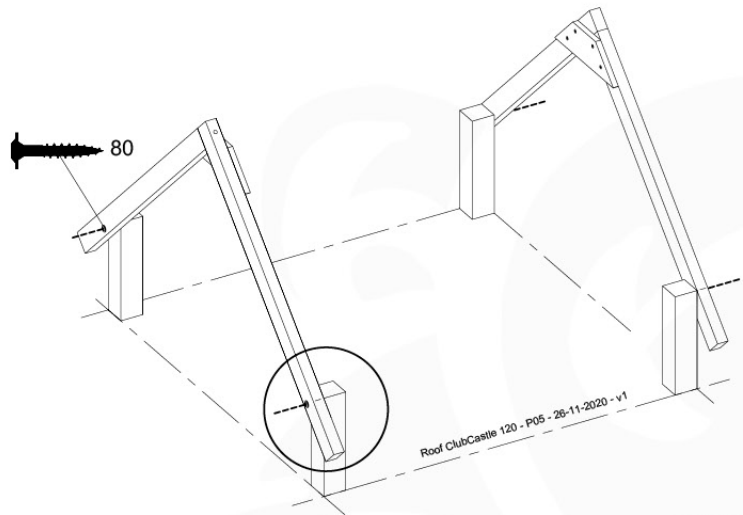
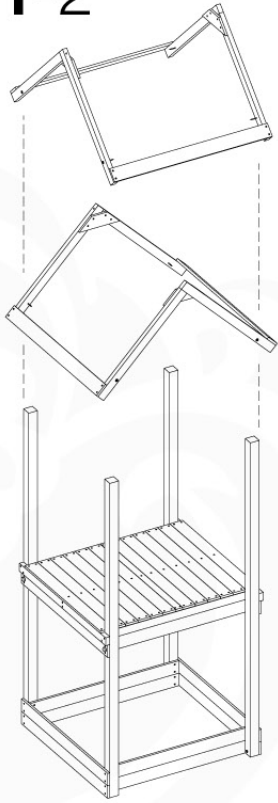
	PartNo	PartName	QTY.
Hardware Pack	001_417	Stealth Screw 8x80	4
	002_220	Gap Point Screw T25 - 5x45	100
	002_223	Gap Point Screw T25 - 5x80	8
Timber	C90	Beam 900 mm	2
	C96	Beam L=(900+beamheight) mm	2
	D65	Board 650 mm	1
	D127	Board 1270 mm	18-24

Roof Club/Castle 120 - P03 - RF08 - 26-11-2020 - v1

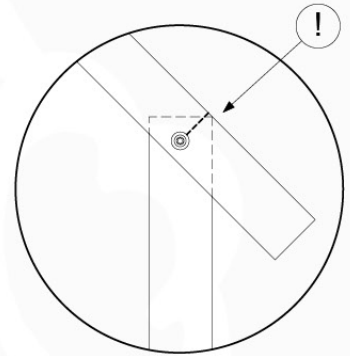
11-1



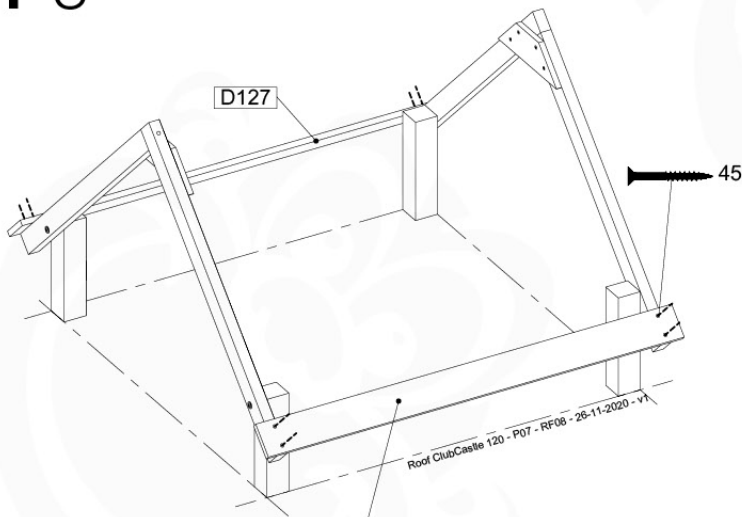
11-2



Roof ClubCastle 120 - P05 - 26-11-2020 - v1



11-3



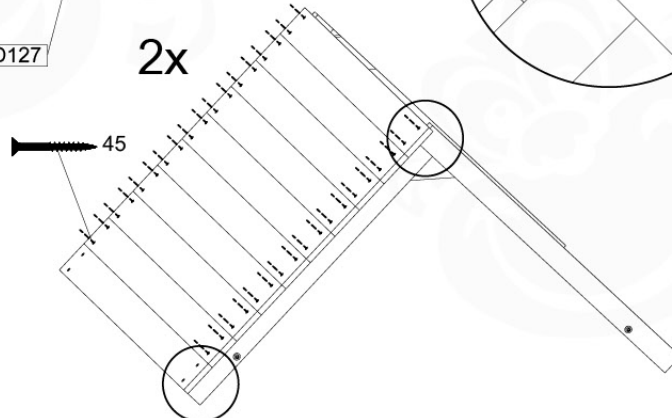
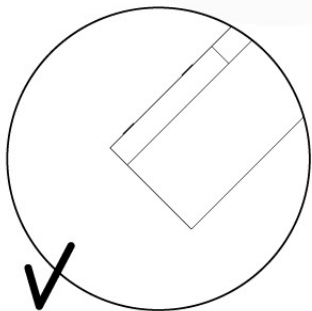
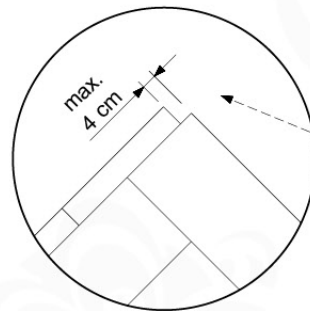
D127

45

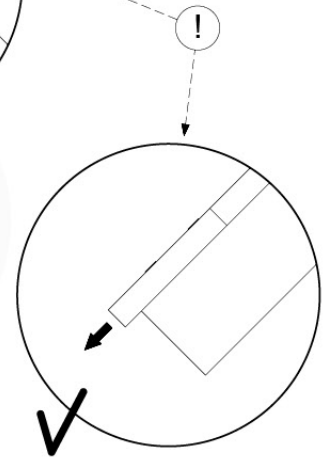
Roof ClubCastle 120 - P07 - RF06 - 26-11-2020 - v1

≤ 11 x D127

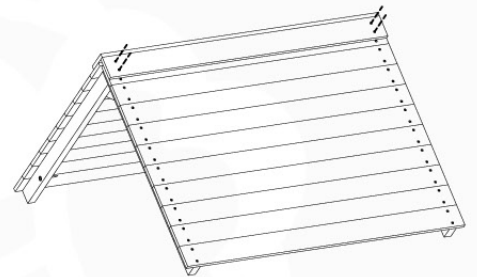
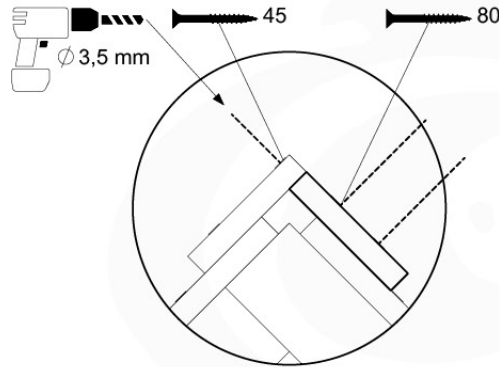
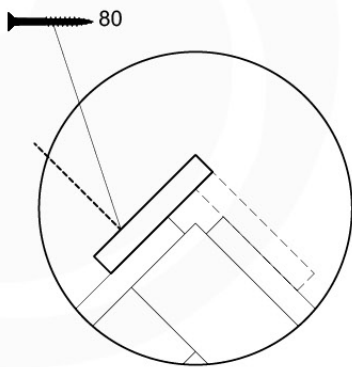
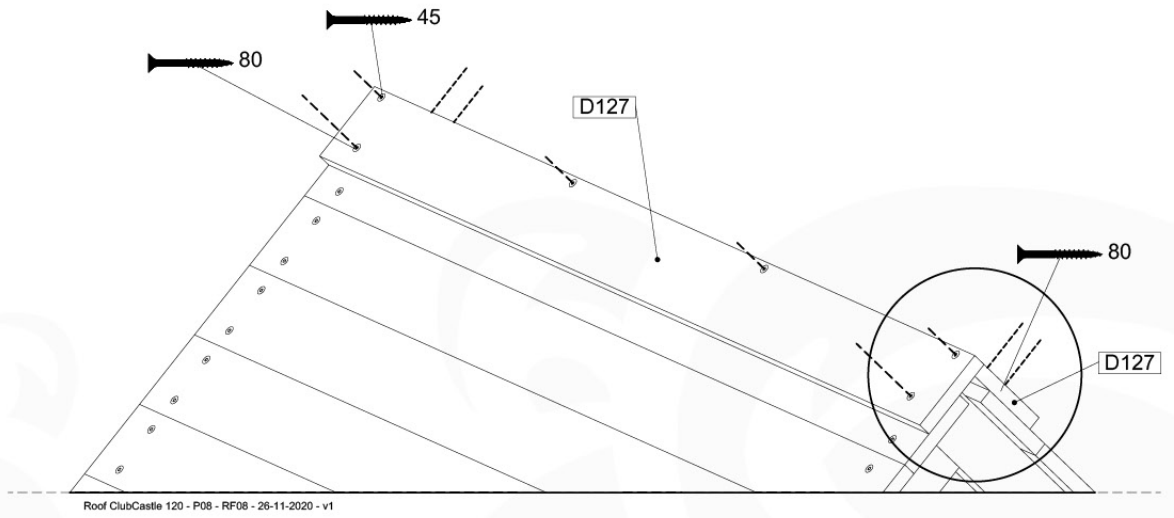
2x



45

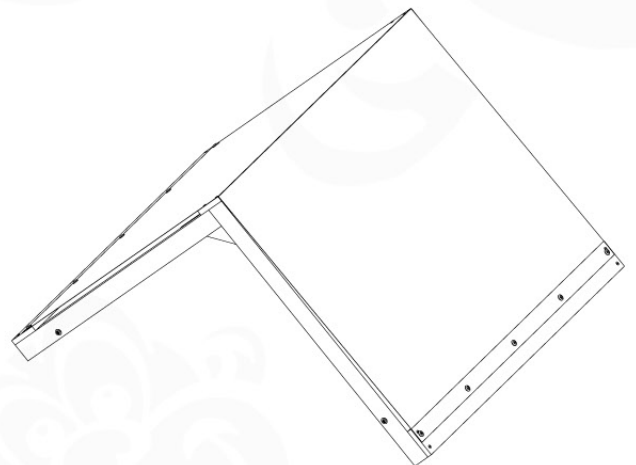


11-4



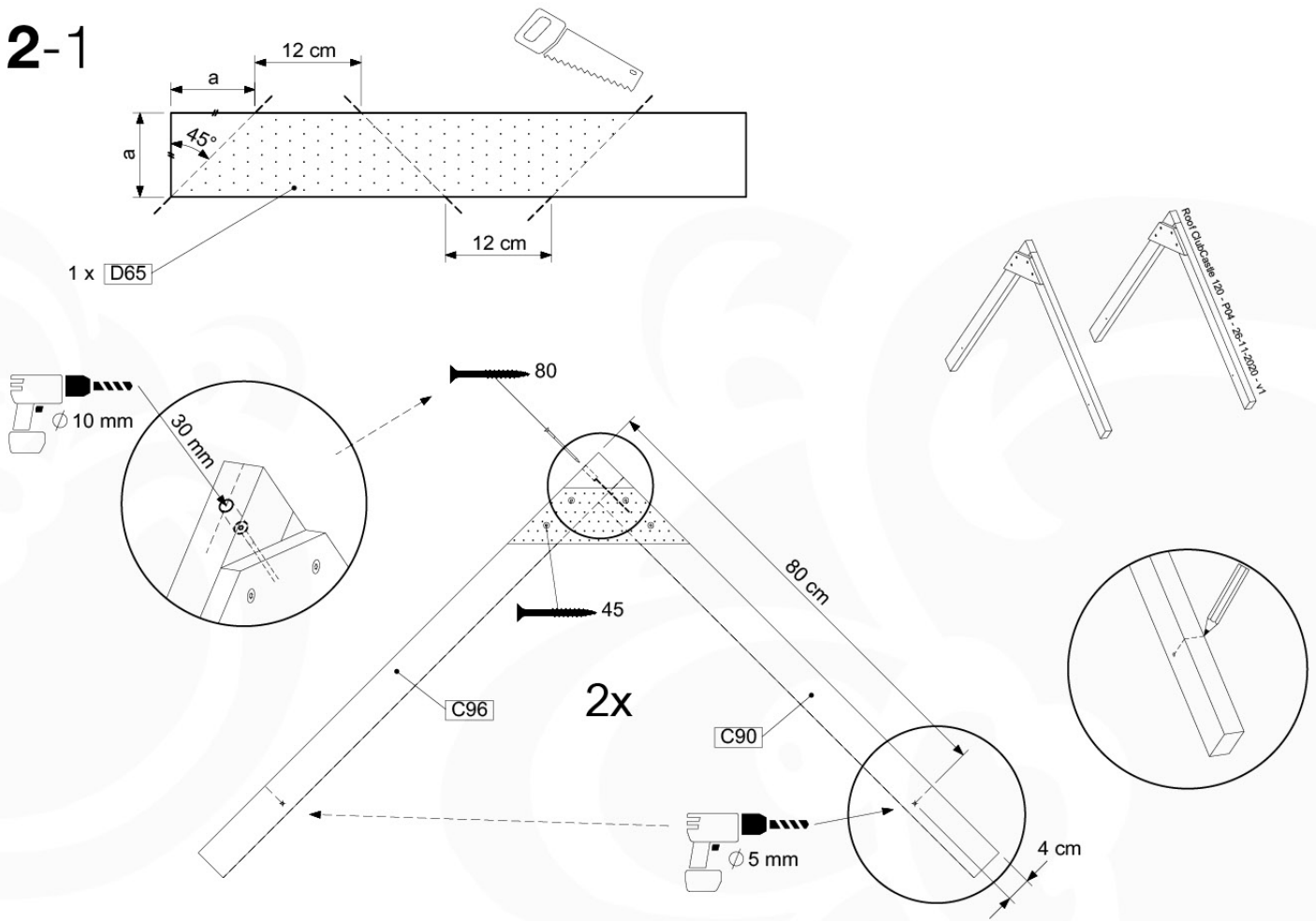
12 Roof Castle RF07

	PartNo	PartName	QTY.
Hardware Pack	001_417	Stealth Screw 8x80	4
	002_220	Gap Point Screw T25 - 5x45	20
	002_223	Gap Point Screw T25 - 5x80	2
	002_308	Gap Point Screw T25 - 5x20	10
	023_031	Finishing Washer GPS 5.0	10
Other	123_222	Sheet Canvas Navigator Line 1200x1850	1
Timber	C90	Beam 900 mm	2
	C96	Beam L=(900+beamheight) mm	2
	D65	Board 650 mm	1
	D120	Board 1200 mm	3

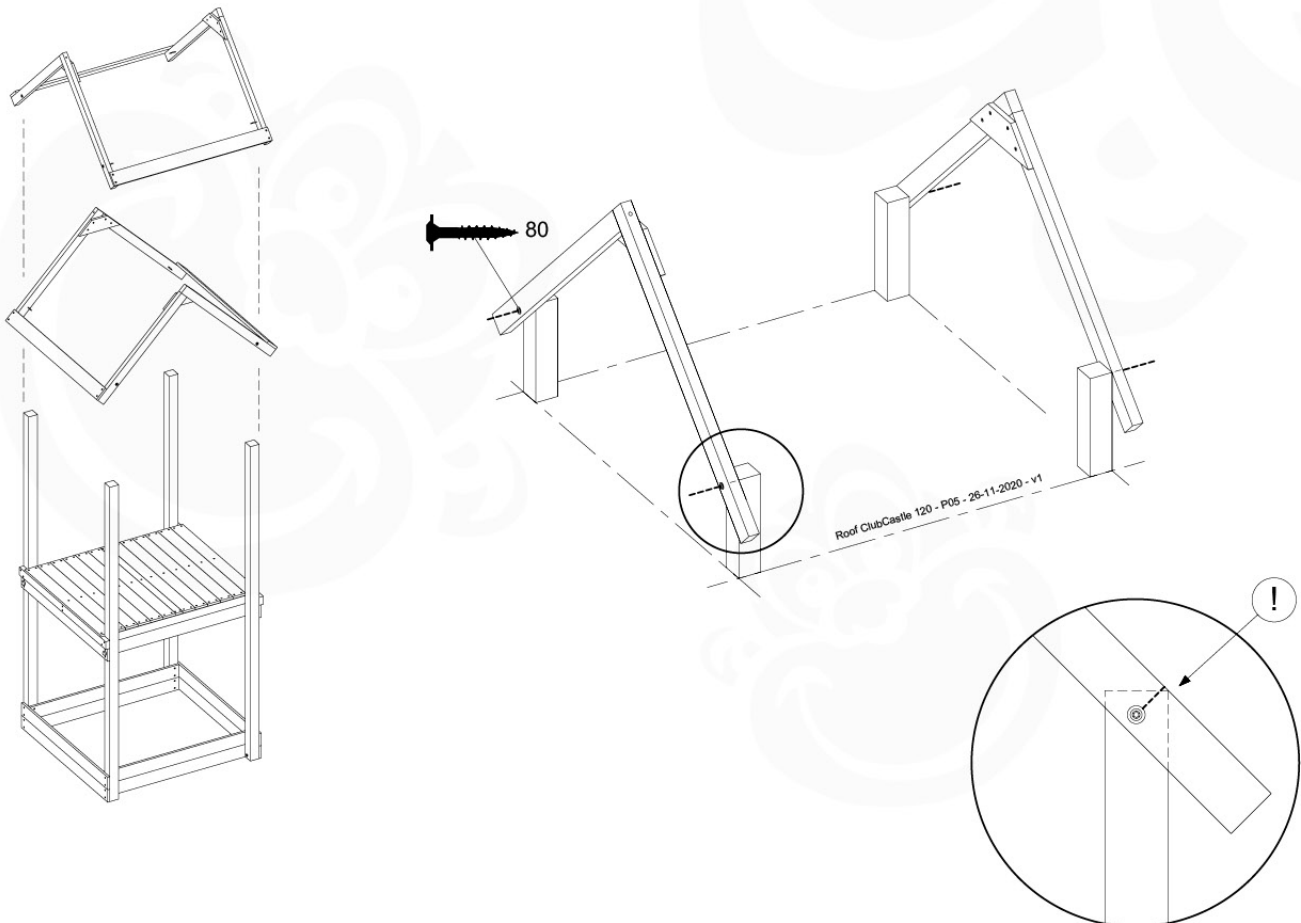


Roof ClubCastle 120 - P02 - RF07 - 26-11-2020 - v1

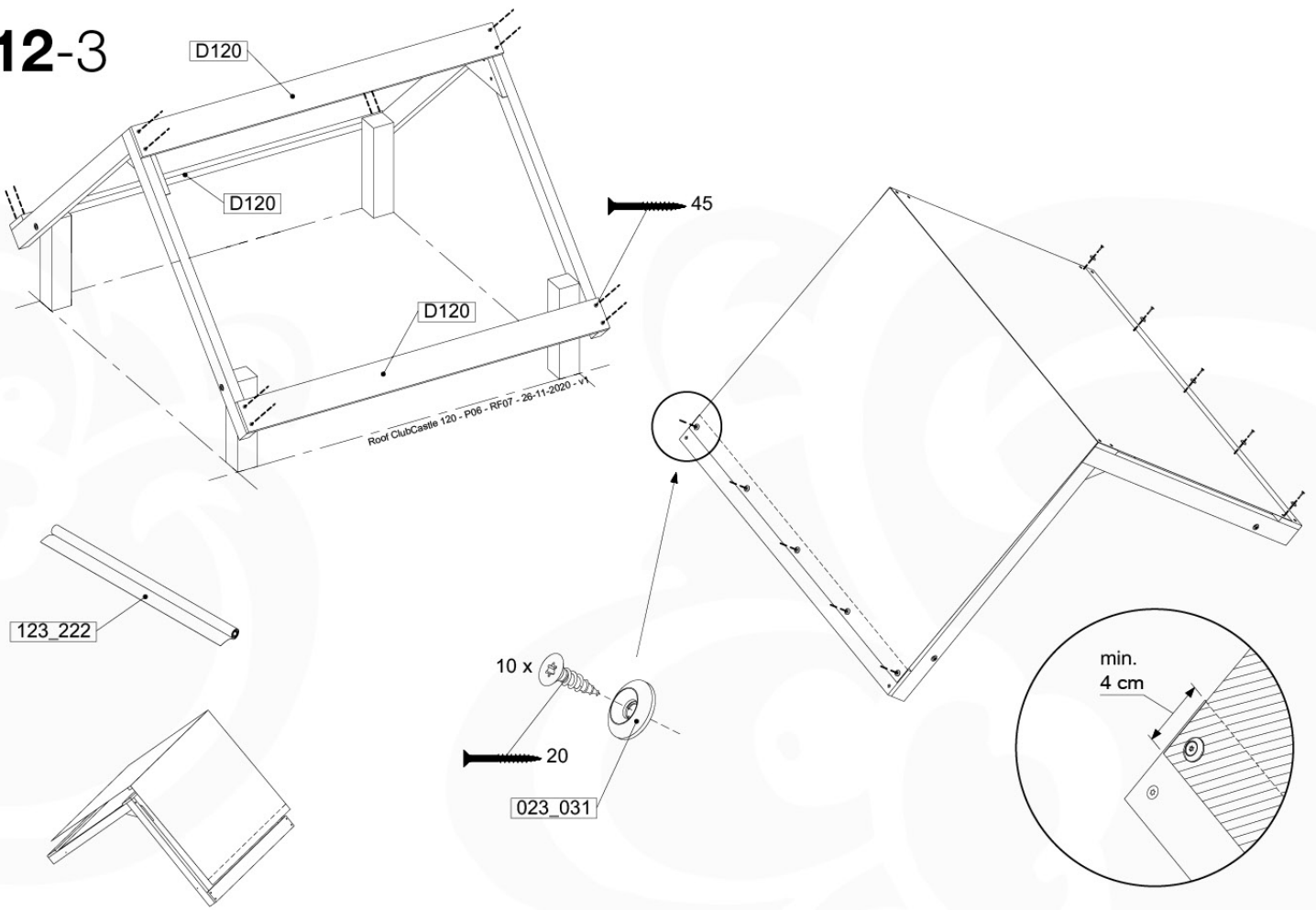
12-1



12-2



12-3



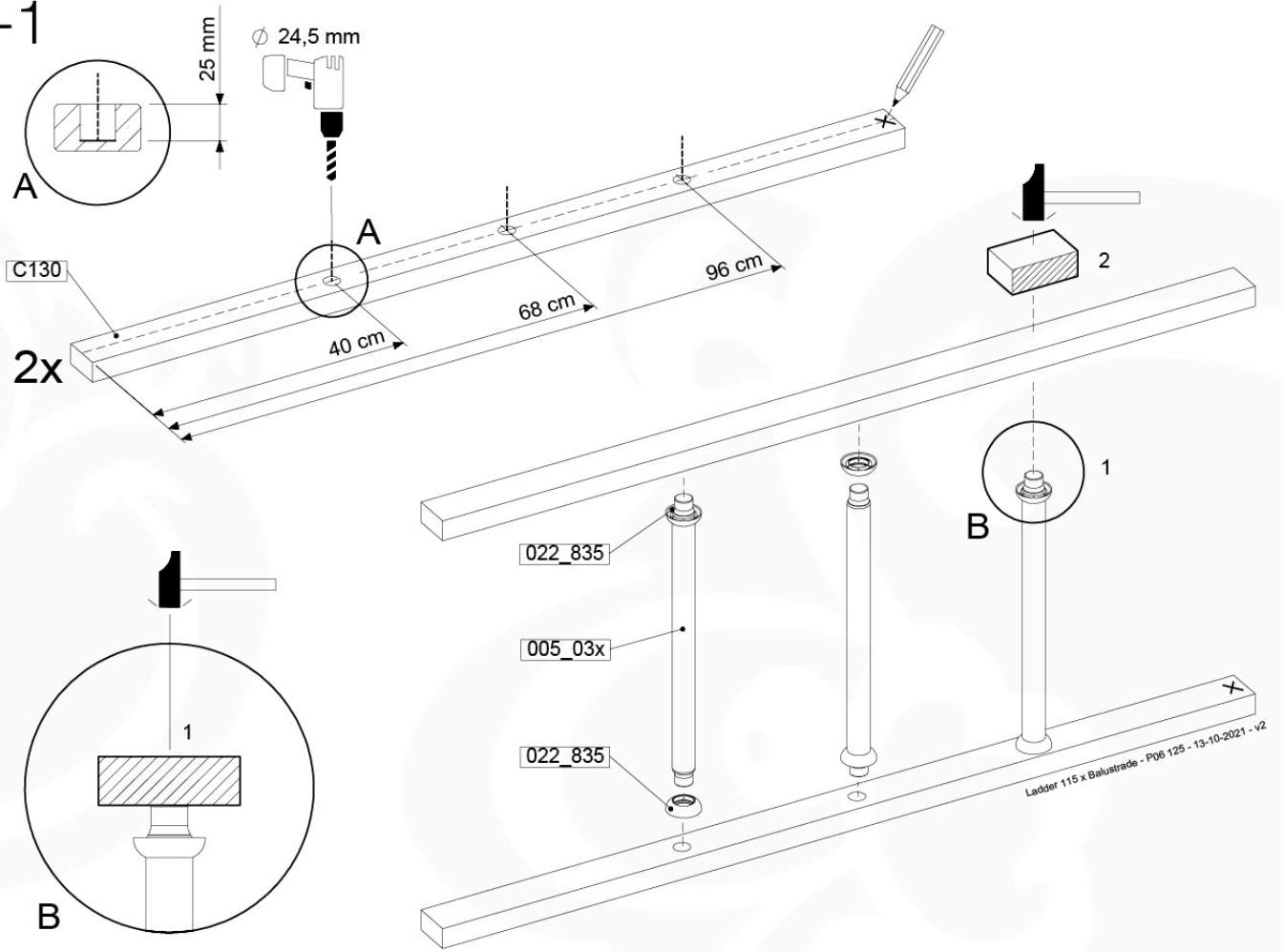
13 Ladder LA11

	PartNo	PartName	QTY.
Hardware Pack	001_404	Stealth Screw 8x30	4
	002_219	Gap Point Screw T25 - 5x30	4
	002_220	Gap Point Screw T25 - 5x45	14
	002_223	Gap Point Screw T25 - 5x80	8
Other	005_03x	Ladder Rung Y/B/G/R	3
	005_522	Connection Bracket Mini Market	2
	022_835	Rung Cap	6
	120_102	Handgrip set (complete 2x)	1
Timber	C70	Beam 700 mm	1
	C114	Beam 1140 mm	1
	C130	Beam 1300 mm	2
	D65	Board 650 mm	2

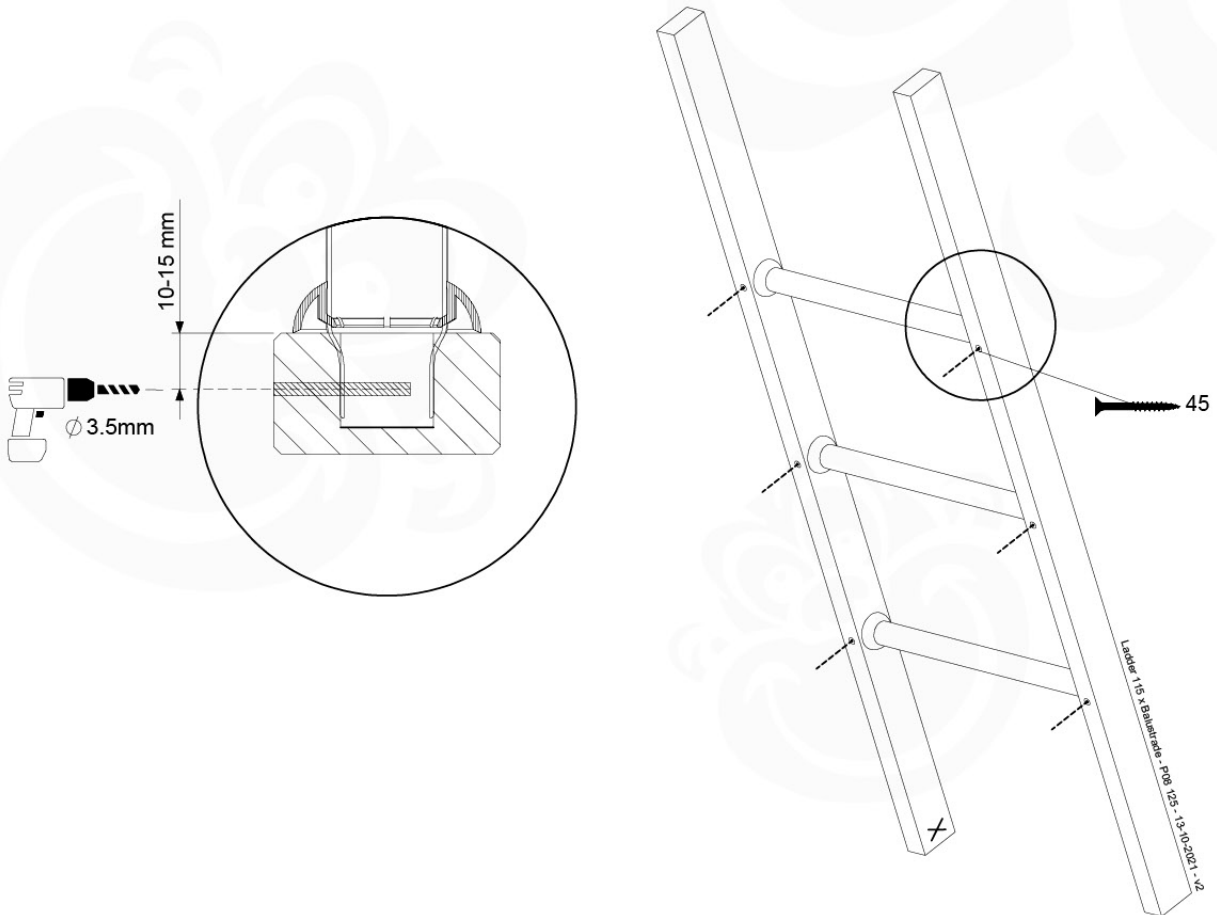
Ladder 115 x Balkenmaße - P02 UL125 - 13-10-2021 - v2



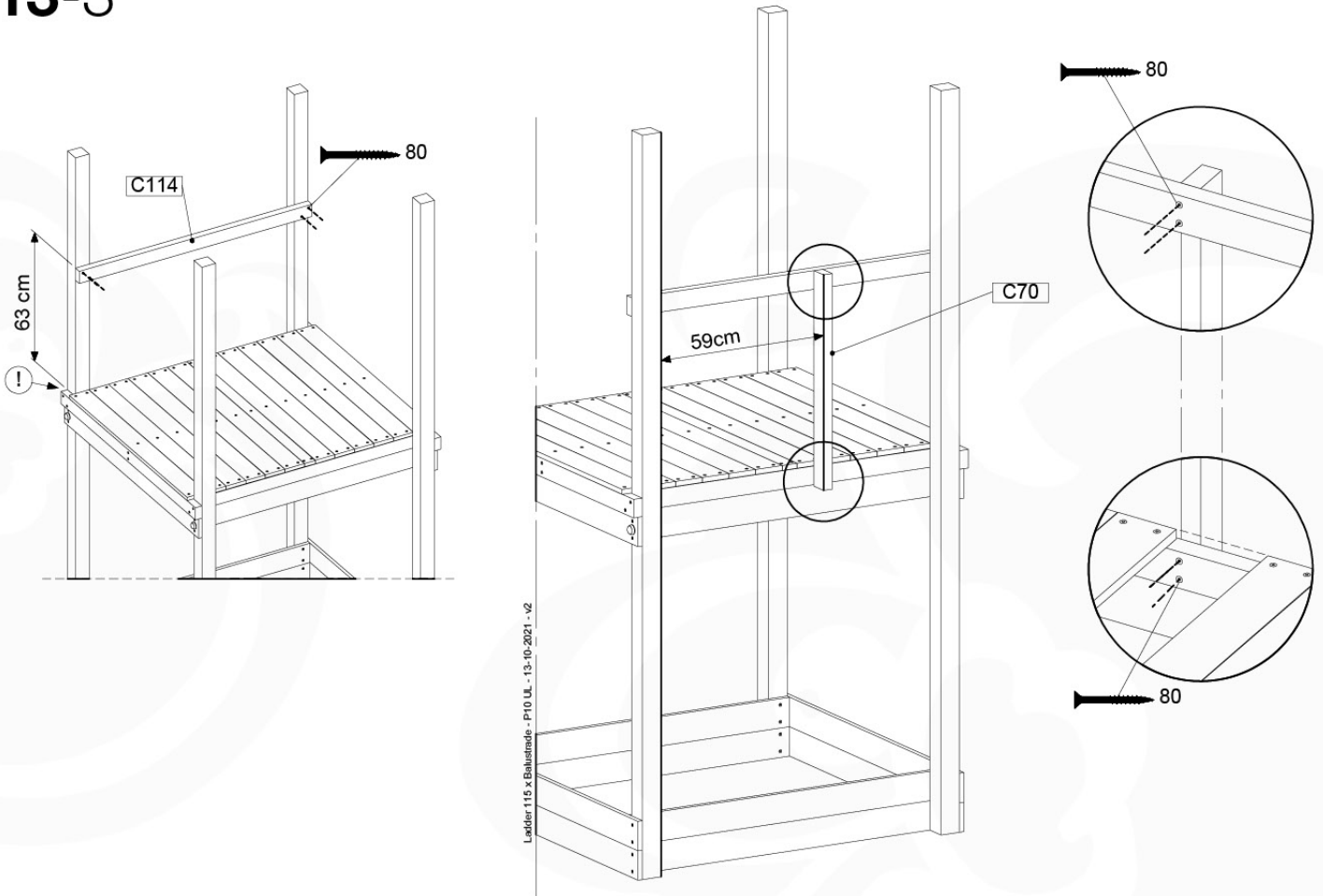
13-1



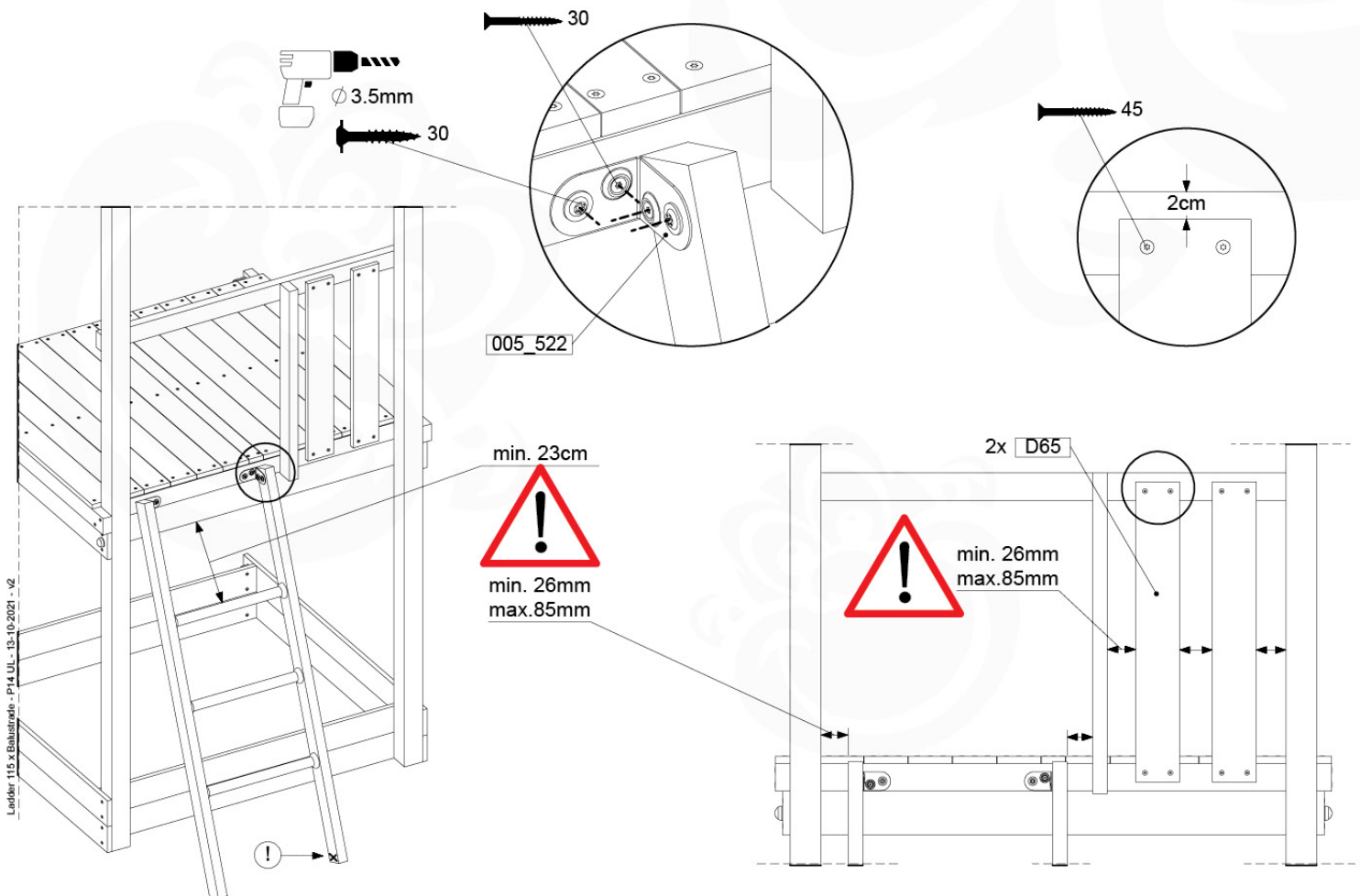
13-2



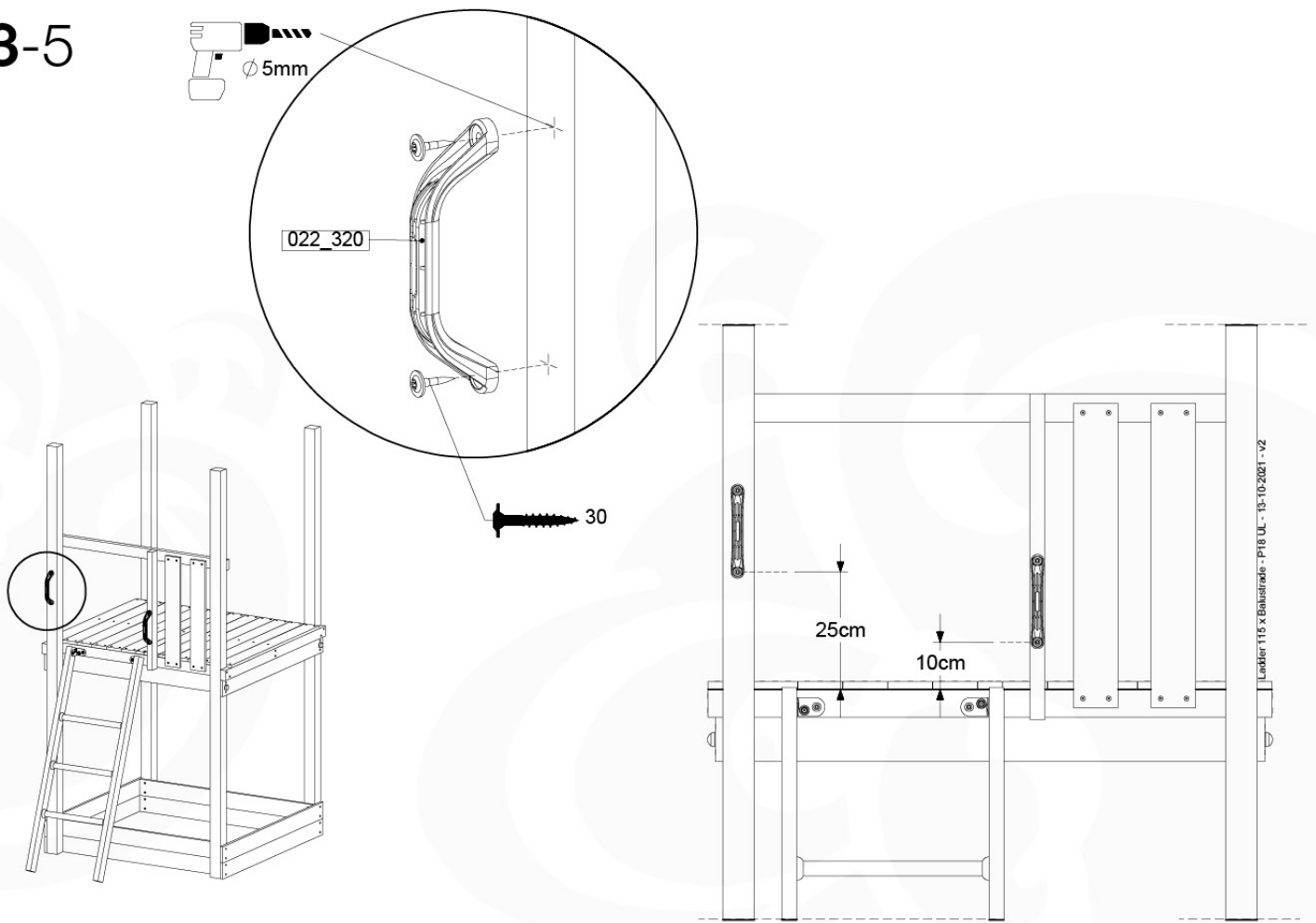
13-3



13-4



13-5



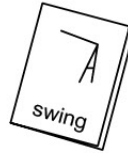
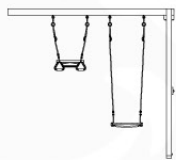
14 Swing Frame / Climb Frame



15



+

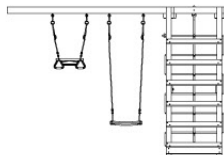


15

1-Swing frame / 2-Swing frame
457_101
457_102



+



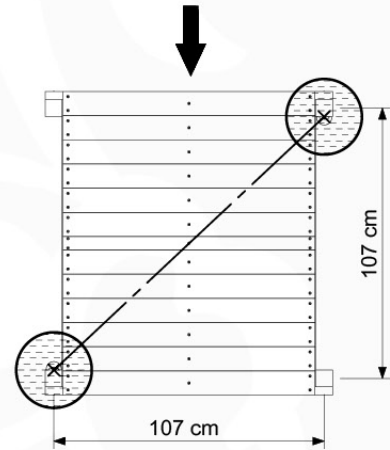
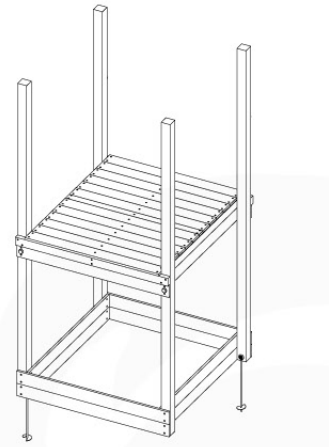
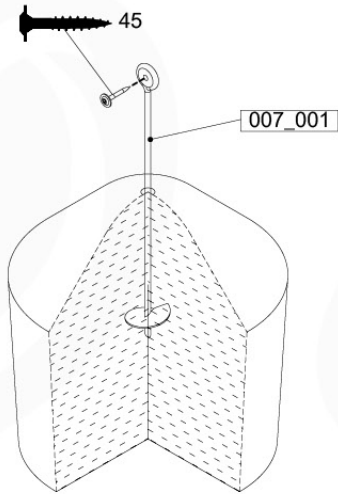
15

1-Climb frame / 2-Climb frame
457_105
457_106

15 Ground Anchors

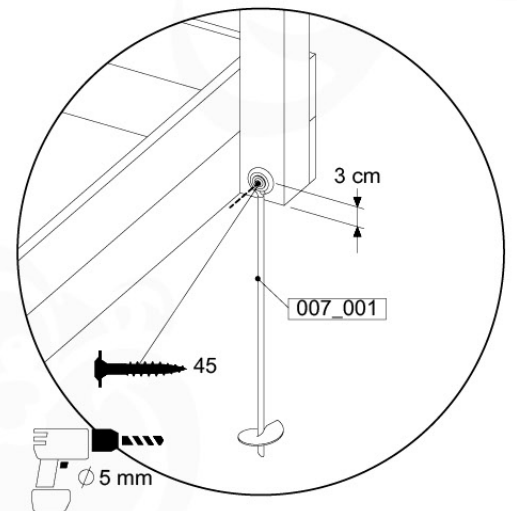
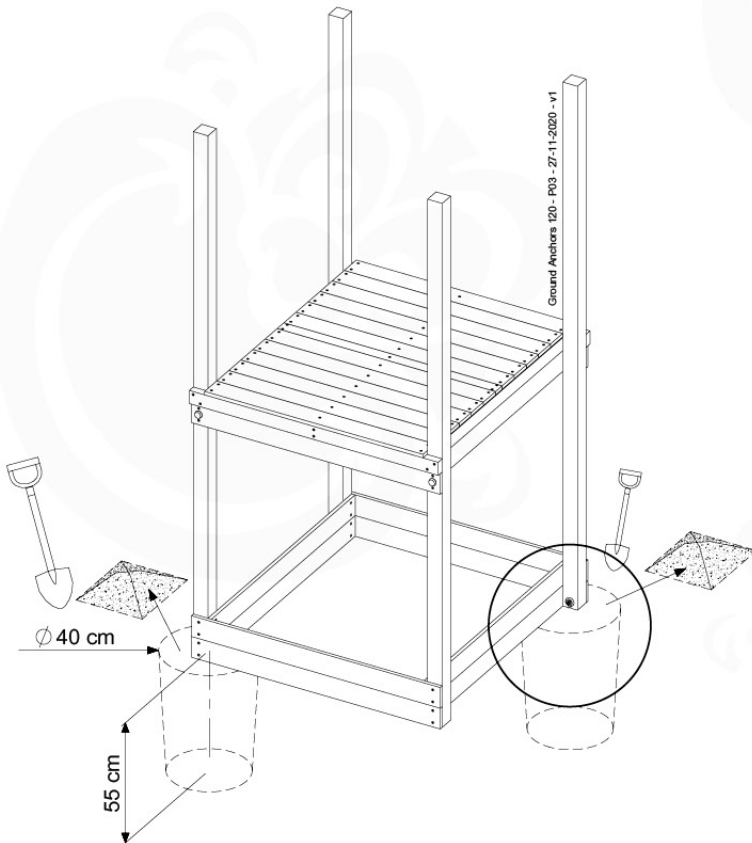
GA05

Parts:
Hardware Package Tower →



Ground Anchors 120 - P02 - 27-11-2020 - v1

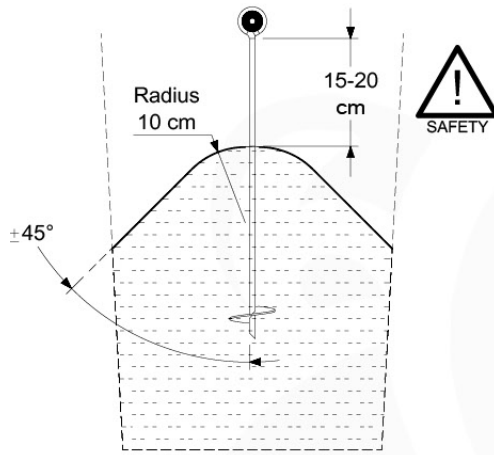
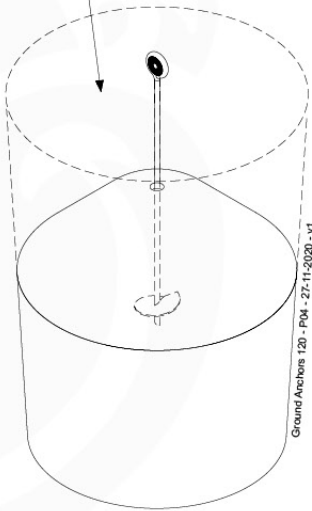
15-1



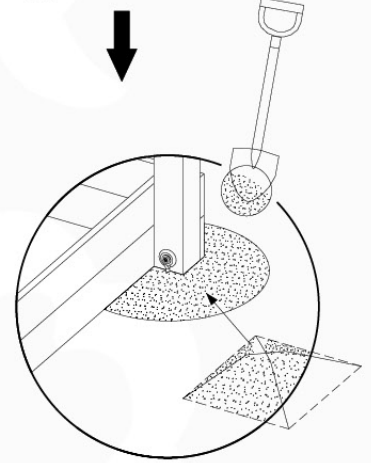
15-2



40 L / 80 kg



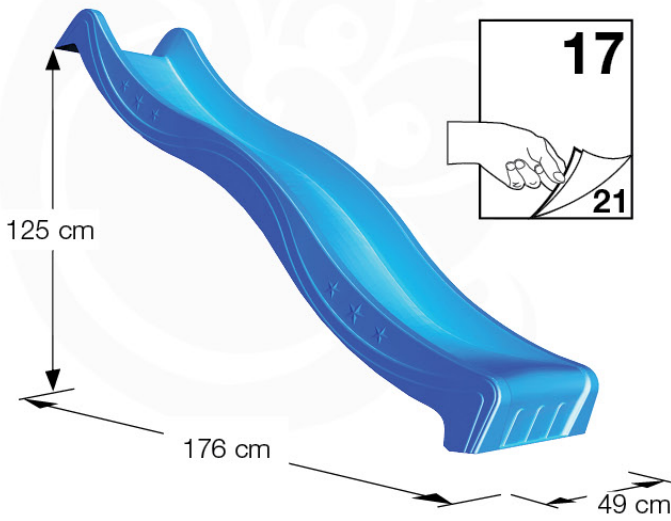
24h



16 Add-on

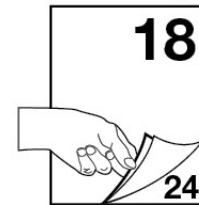
Wavy Star Slide XL

- 324_100 Yellow
- 324_200 Blue
- 324_300 Green
- 324_400 Red
- 324_500 Fuchsia
- 324_600 Dark Green



Fireman's Pole

201_275

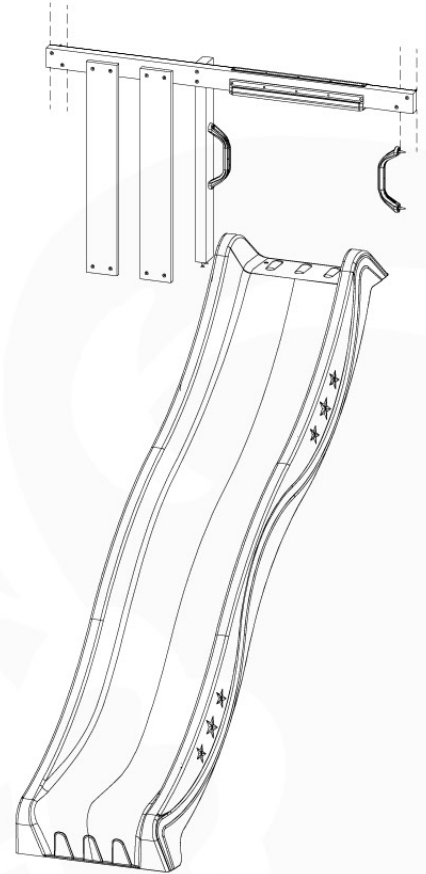


17 Slide Set

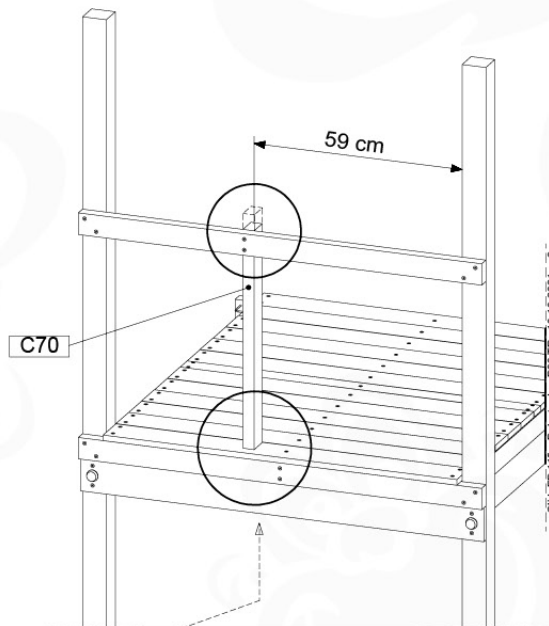
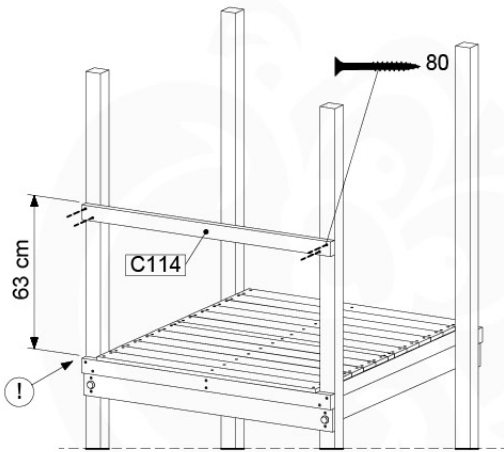
SL09

	PartNo	PartName	QTY.
Hardware Pack	000_101	Nail Pan Head	10
	002_220	Gap Point Screw T25 - 5x45	8
	002_223	Gap Point Screw T25 - 5x80	8
	002_308	Gap Point Screw T25 - 5x20	2
Other	120_102	Handgrip set (complete 2x)	1
	123_200	Bumperpad	1
	324_xxx 334_xxx	Wavy Star Slide XL 2200 mm / Wavy Star Slide XXL 2650 mm	1
Timber	C114	Beam 1140 mm	1
	C70	Beam 700 mm	1
	D65	Board 650 mm	2

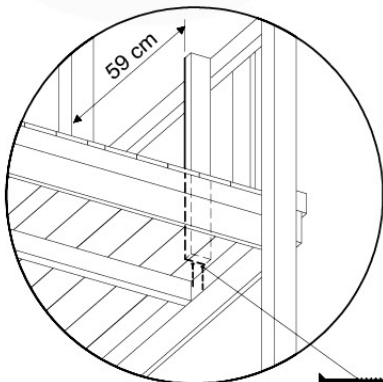
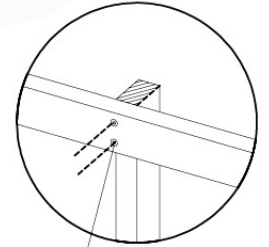
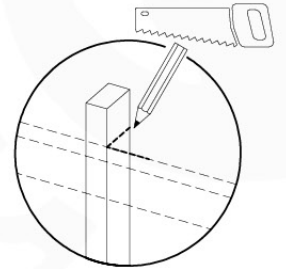
SlideFP 115 x Bahnrade - P05 TR - 13-10-2021 - v2



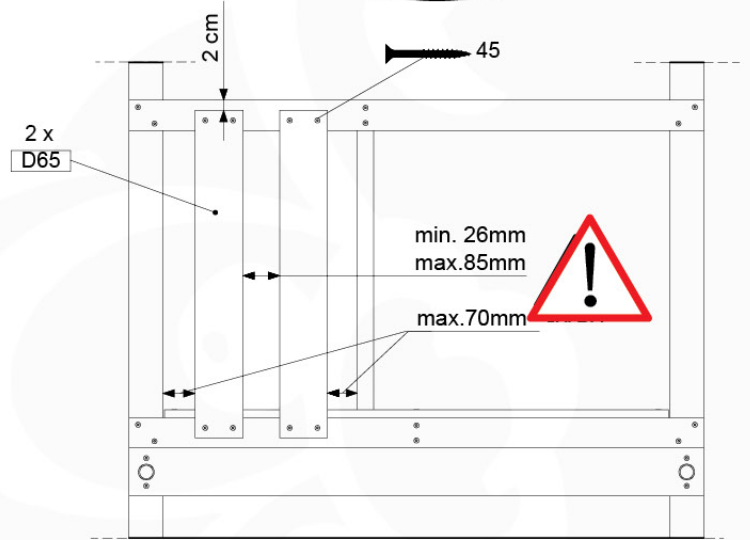
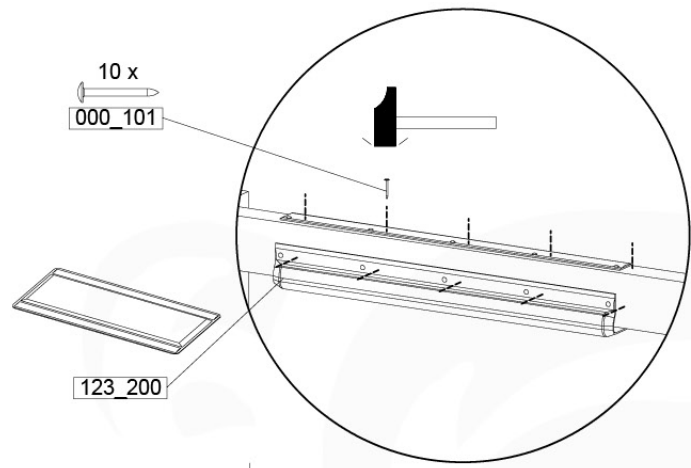
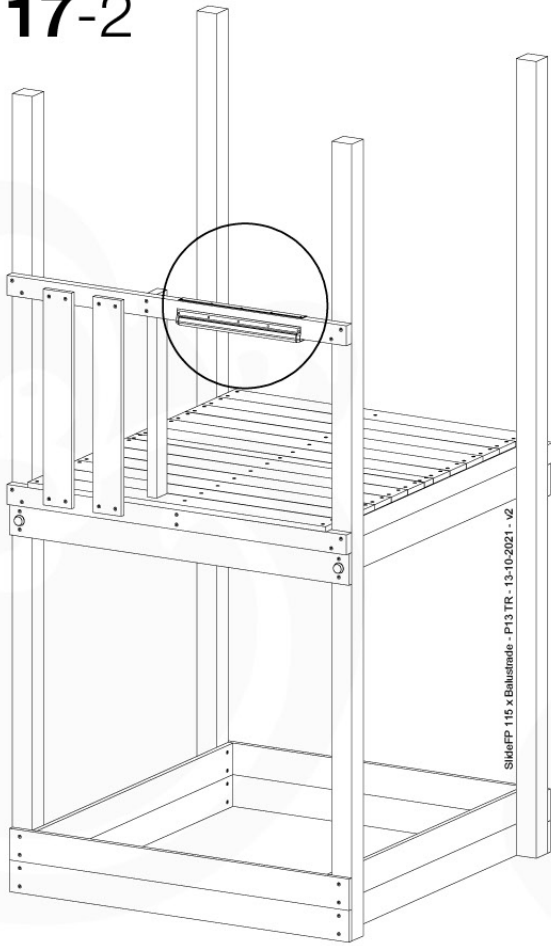
17-1



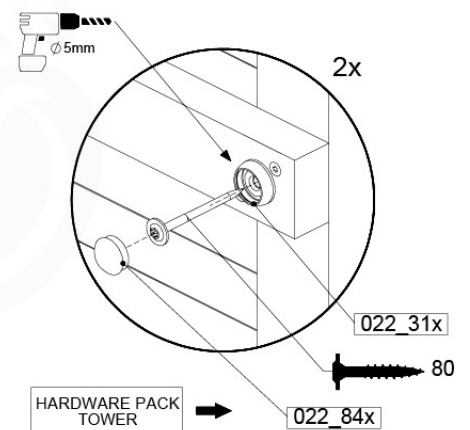
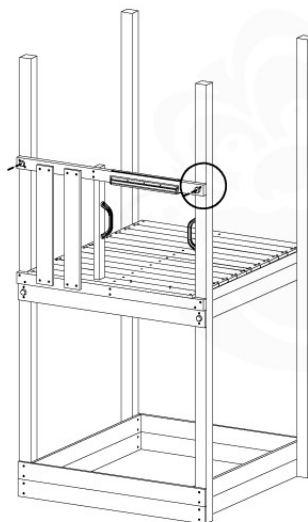
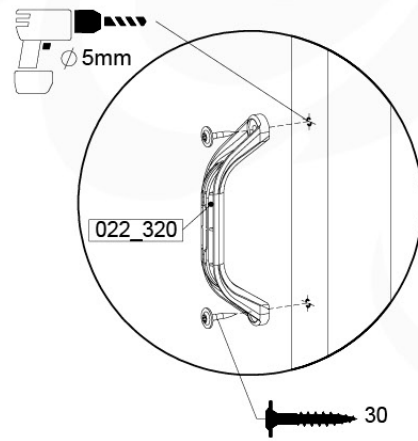
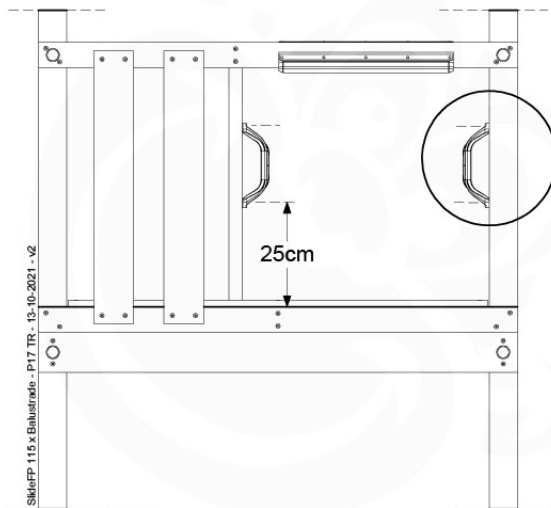
SlideFP 115 x Bahnrade - P05 TR - 13-10-2021 - v2



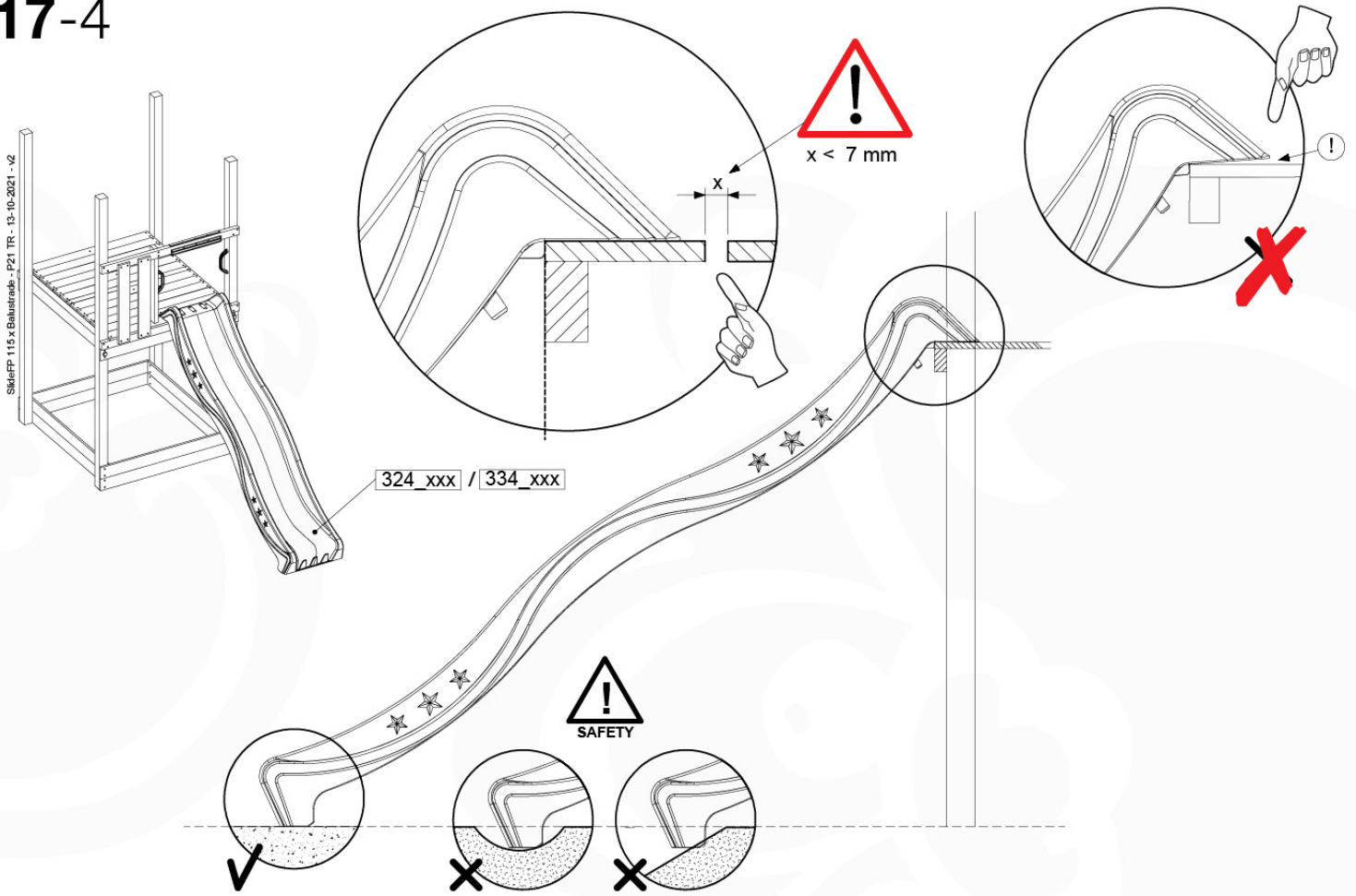
17-2



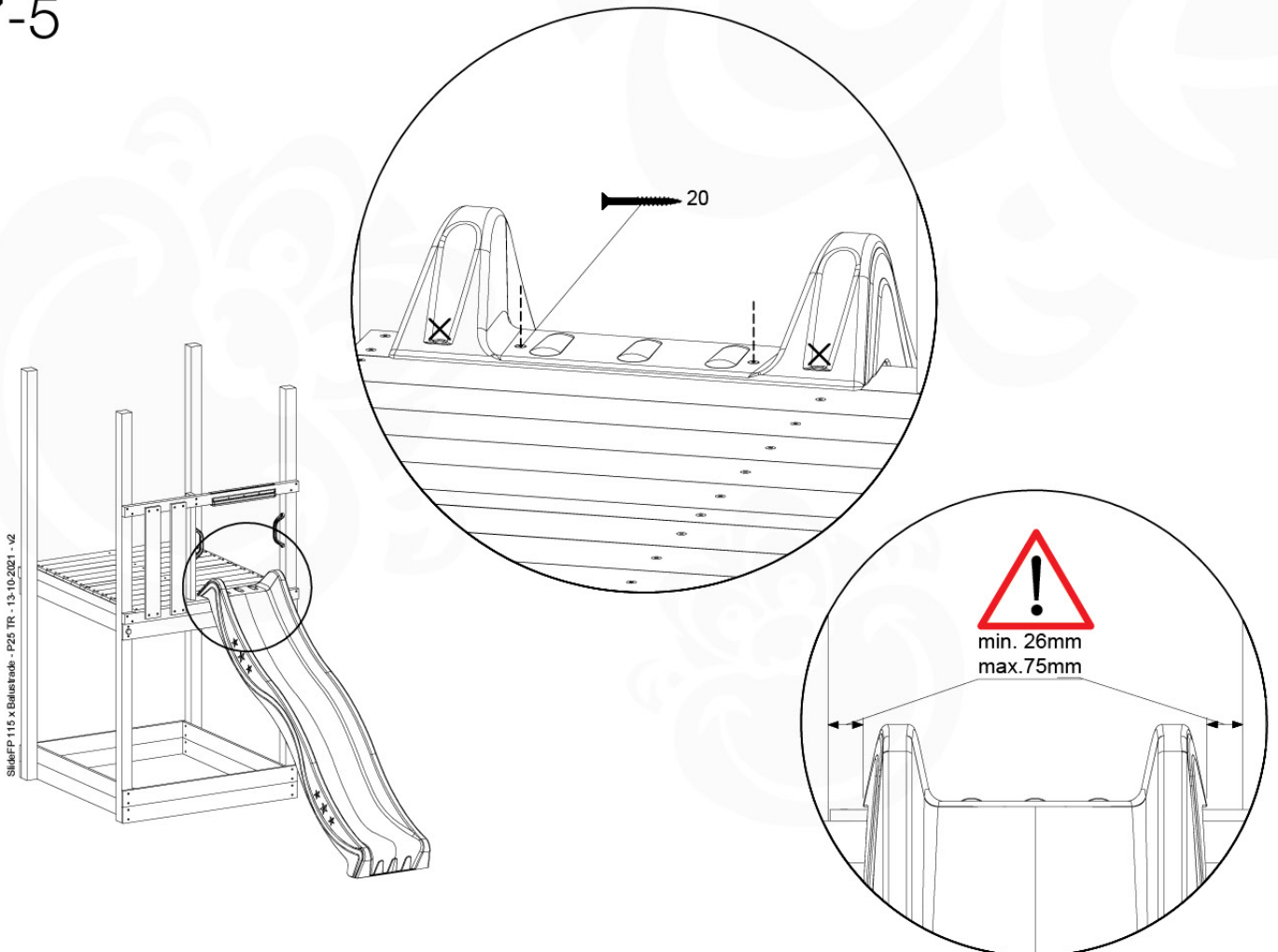
17-3



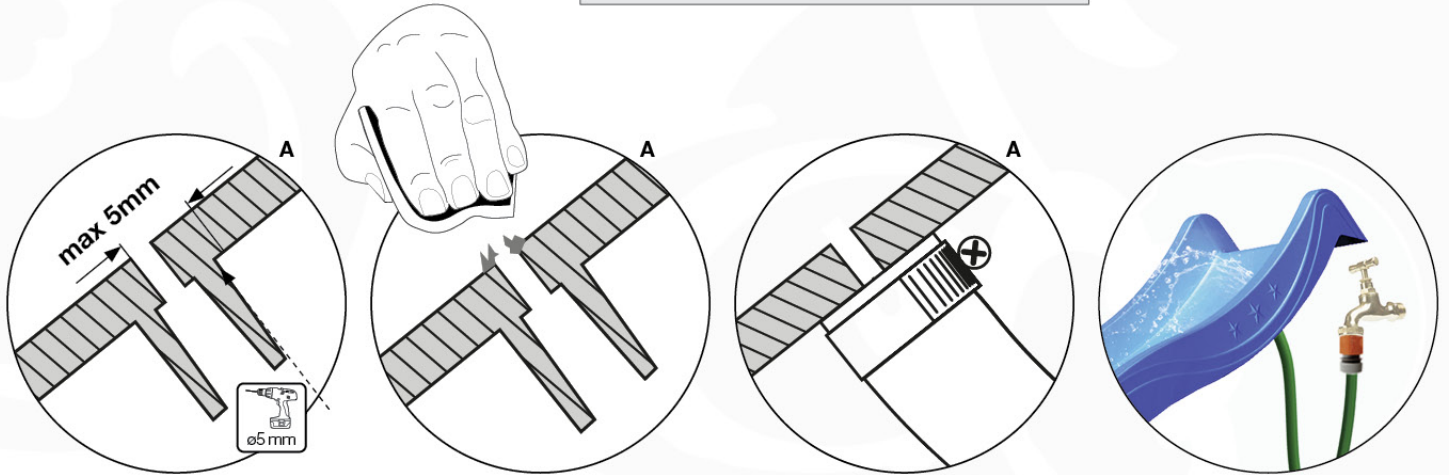
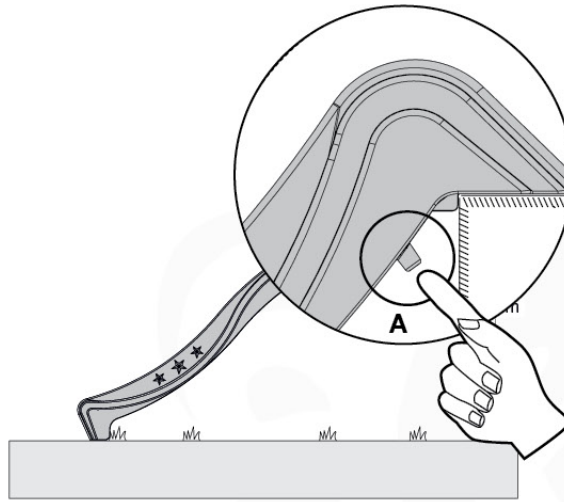
17-4



17-5

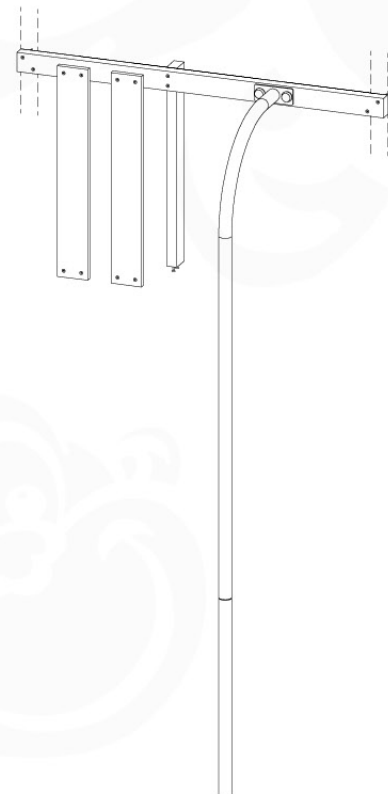


17-6



18 Firemans Pole

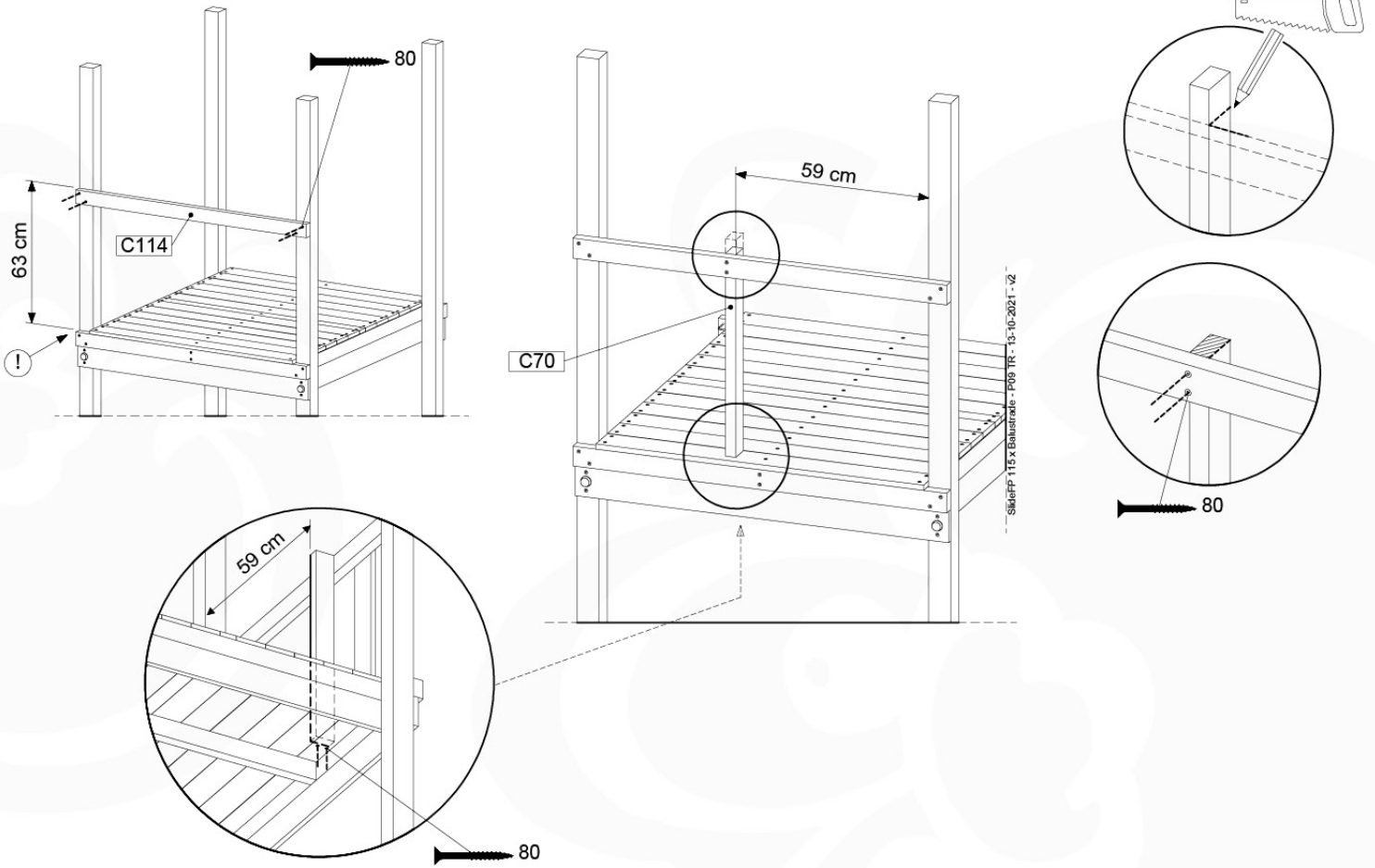
FP07



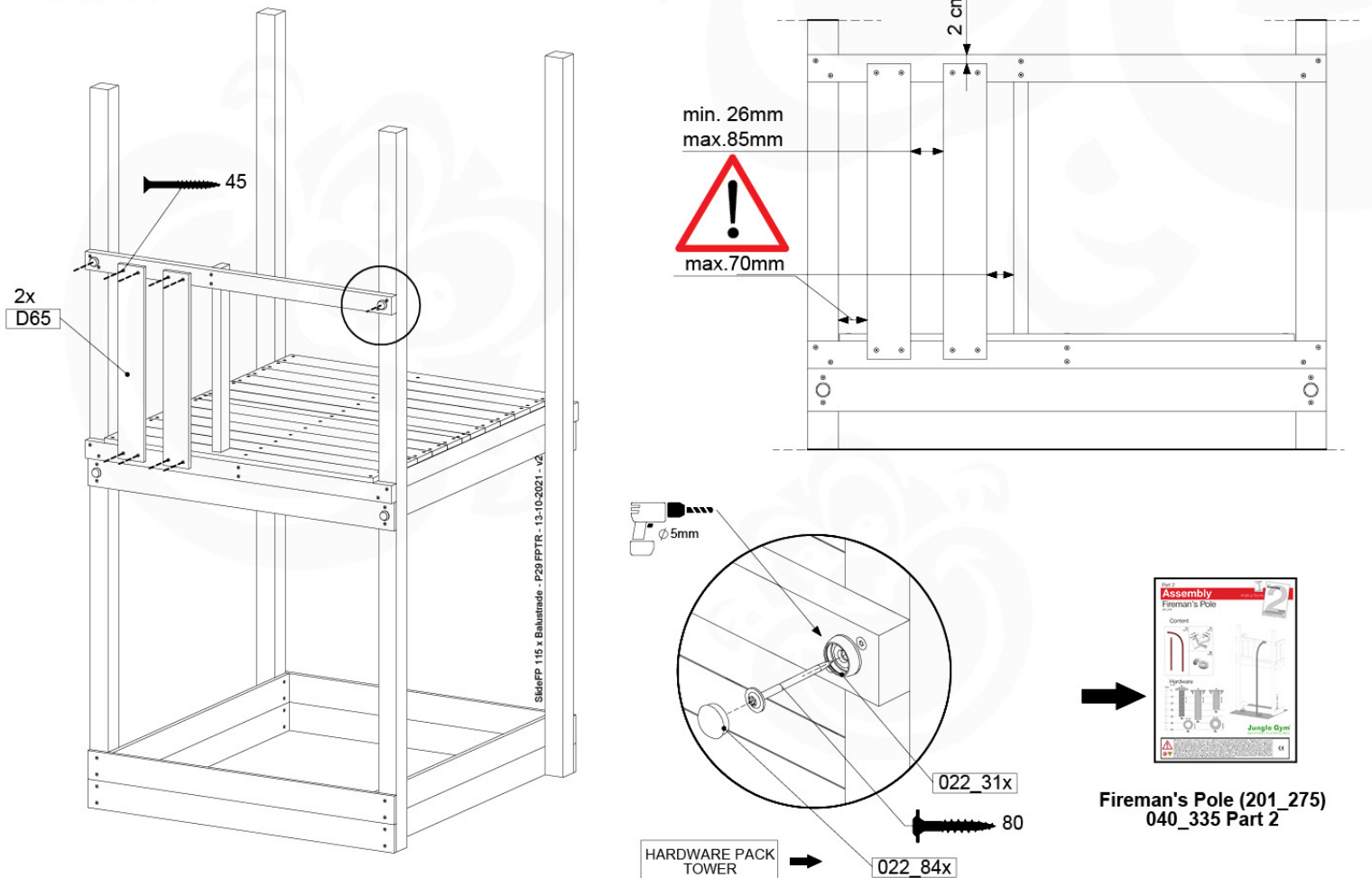
	PartNo	PartName	QTY.
Hardware Pack(s)	001_103	M8 Washer Head Screw 40mm	2
	002_220	Gap Point Screw T25 - 5x45	8
	002_223	Gap Point Screw T25 - 5x80	8
	003_010	M8 spring lock washer	2
	003_040	M8 Washer	2
	004_052	M8 Drive-in Nut 30mm	2
	004_054	M8 Drive-in Nut 45mm	2
	022_31x	bpc-base version 3	2
	022_84x	bpc cover	2
Other	102_915	Fireman's Pole	1
Timber	C70	Beam 700 mm	1
	C114	Beam 1140 mm	1
	D65	Board 650 mm	2

SlideFP 115x Bahnstraße - P33 FPTR - 13-10-2021 - v2

18-1



18-2



Fireman's Pole (201_275)
040_335 Part 2

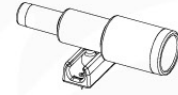
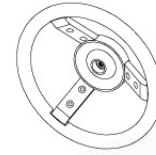
19 Accessories

AC01

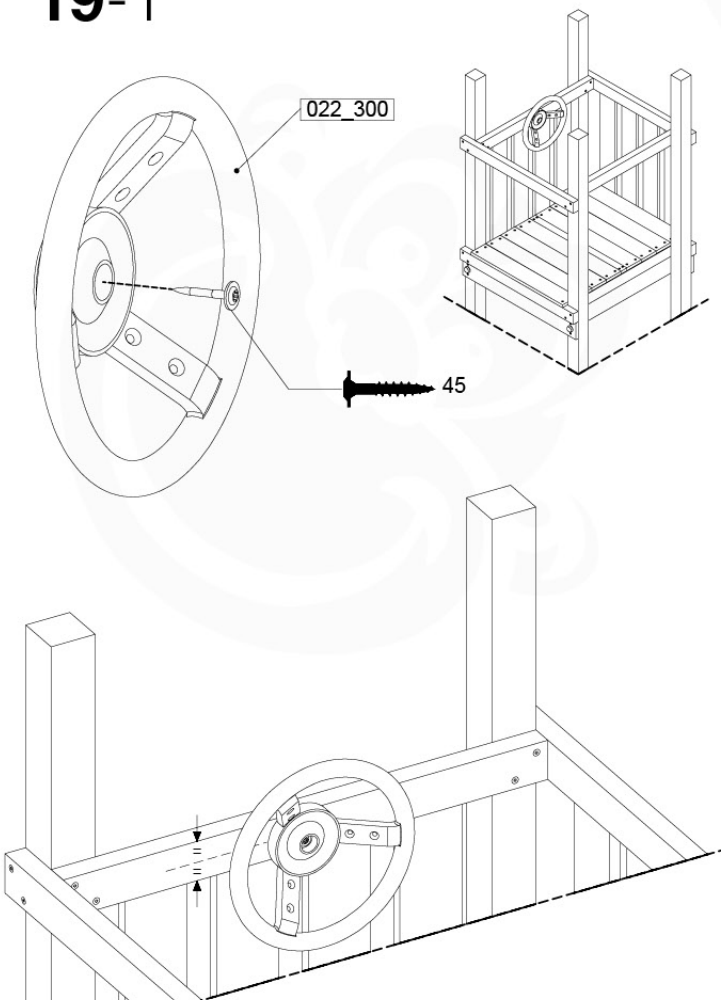
(194_119)

	PartNo	PartName	QTY.
Hardware Pack 100_617	001_406	Stealth Screw 8x45	1
	002_041	Dome head screw 4.5 x 20 mm	3
	002_042	Dome head screw 3.5 x 13mm	4
	002_219	Gap Point Screw T25 - 5x30	2
Other	022_300	Steering Wheel	1
	022_800	Rail P/T 105	1
	022_910	Sandpad	1
	103_901	Logo ID Plate	1
	104_107	Tool Set Climbing Units	1
	120_024	Tower Flag	1
	122_302	Telescope	1

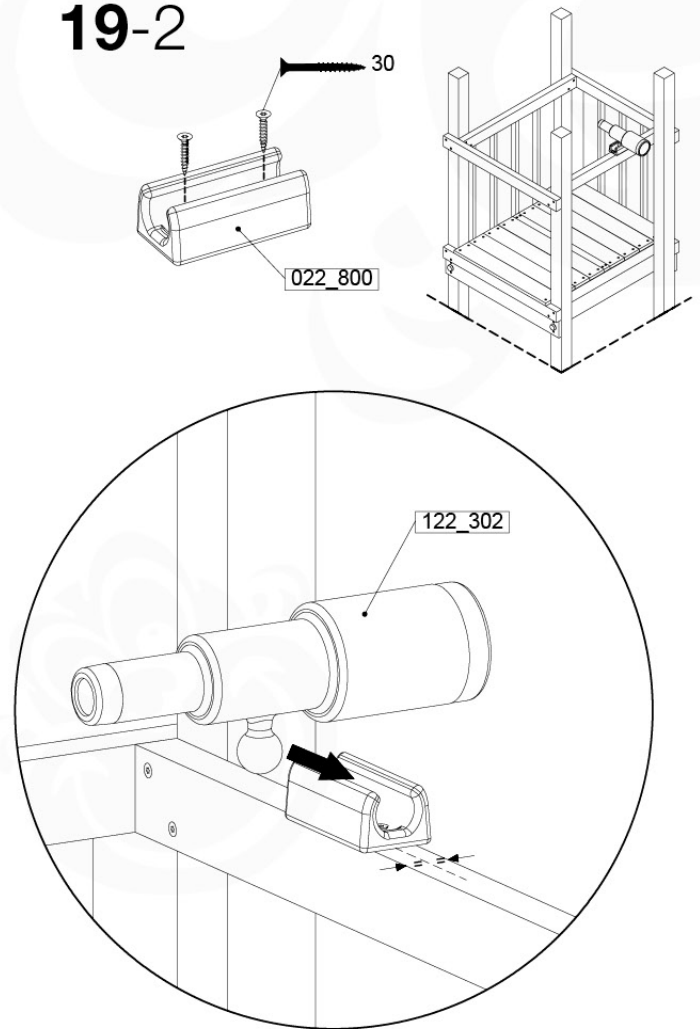
Accessory set - P02 - 28-9-2021 - v4



19-1

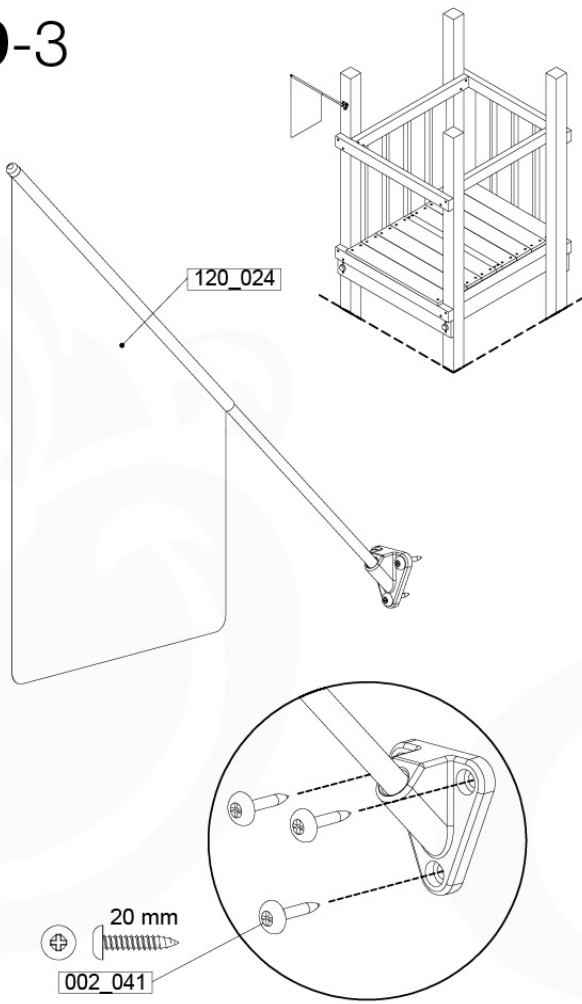


19-2

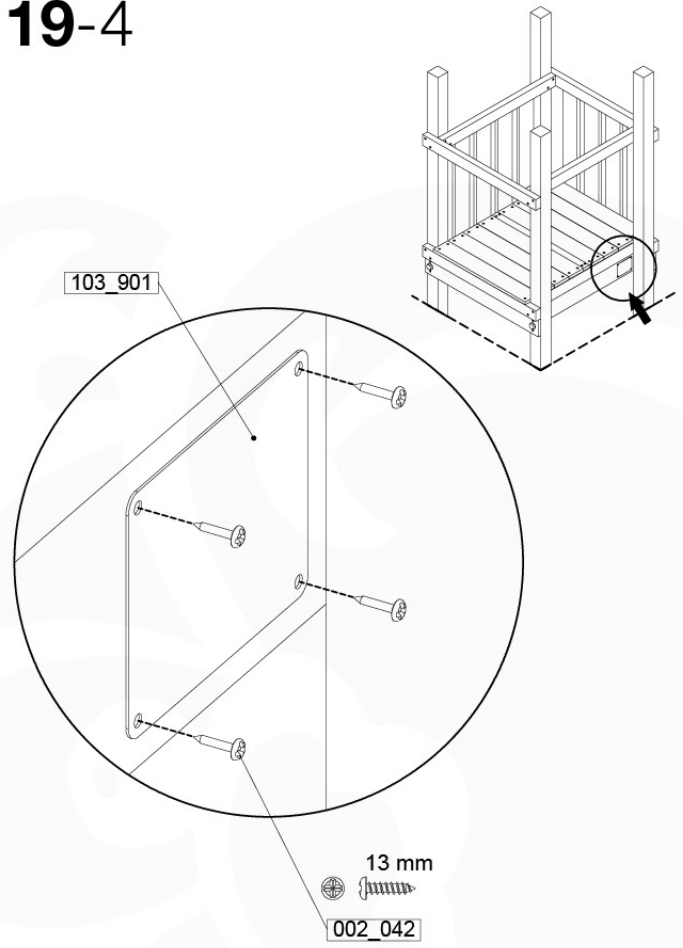


Accessory set - P03 - 28-9-2021 - v4

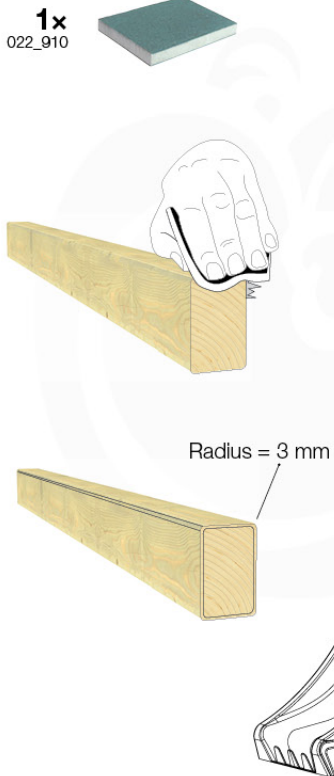
19-3



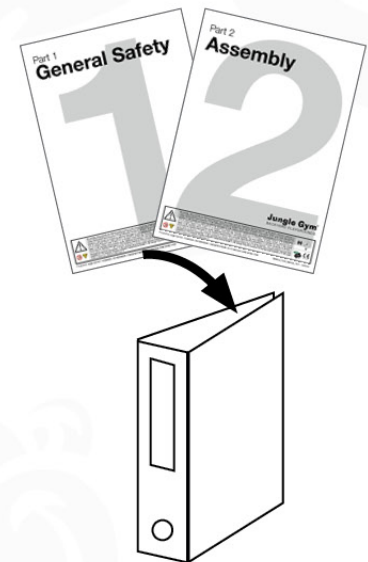
19-4



19-5

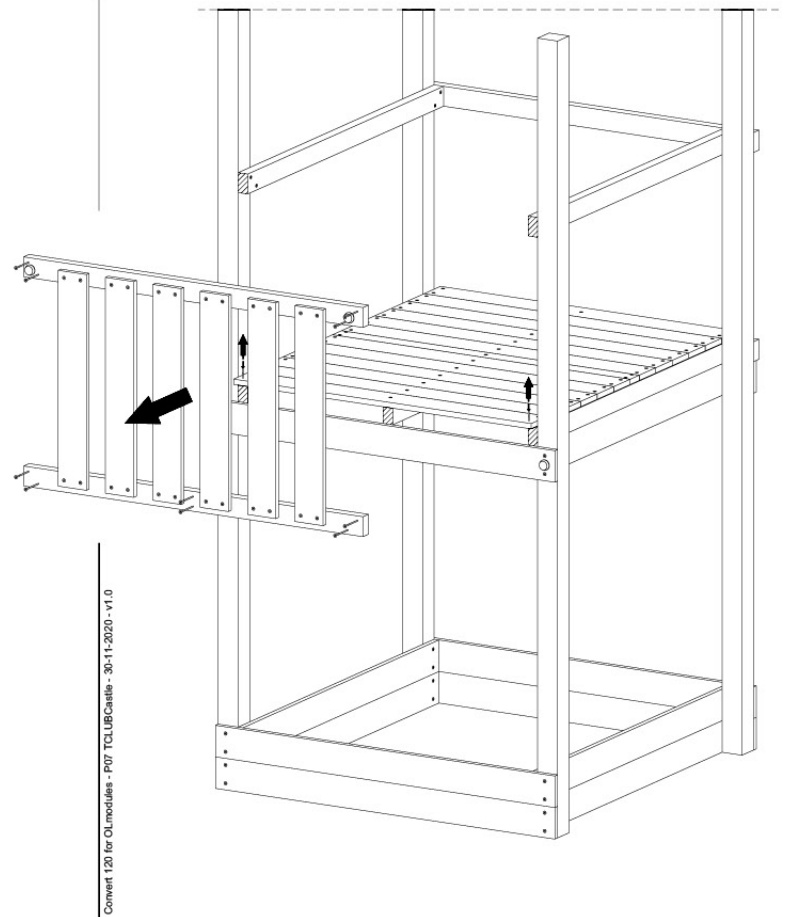
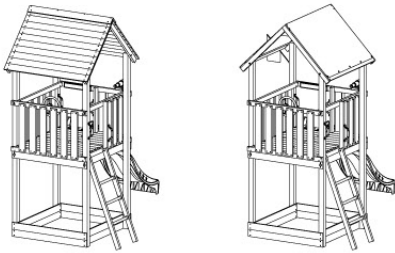


20



21 Tower preparation for Modules/Links

- 450_240 / 850_240 Bridge Module
- 450_255 / 850_255 Balcony Module
- 450_410 / 850_410 Boat Module
- 450_415 / 850_415 Train Module
- 470_100 / 870_100 Bridge Link
- 470_105 / 870_105 Net Link



21-1

